

OCR10-M58800EN

PREFACE

- 1.This Parts Catalog carries all parts incorporated in YANMAR Model 3TNV84T-XWL engine manufactured since Novemver, 2004.
- 2.Each illustration corresponds to the parts list on the following page.
- 3.When ordering parts,clearly write down the engine model and serial number,as well as the name and number of each part in your order sheet. This will help insure reliable delivery of the parts you have ordered.

Directions for the Parts Catalog.

1. This Parts Catalog shows both standard and optional parts.
2. Parts may change without prior notice.
3. The following is an example of the Parts Catalog format.

REF.	LEV.	PARTS NO.	DESCRIPTION	Q'TY						I	R
				(A)	(B)	(C)	(D)	(E)	(F)		
1	1	729595-51390	FUEL INJECTION PUMP	1	1	1	1	1			1
1-1	1	729595-51391	FUEL INJECTION PUMP	1	1	1	1	1		N	1
		(A=E00185) (B=E00200)									
3	2	26022-060162	SCREW M 6X 16	9	9	9	9	9			
3-1	2	26022-060162	SCREW M 6X 16	4	4	4	4	4		K	
		(A=E00156) (B=E00156) (C=E00156) (D=E00156) (E=E00156)									
4	2	129470-51040	CAMSHAFT	1	1	1	1	1			
5	2	122710-51050	BEARING, ROLLER	2	2	2	2	2			
6	2	129470-51060	RETAINER	1	1	1	1	1			

Remarks
(1) BOOST COMPEMSATOR TYPE. OPTIONAL PART, TO E00155,(4JH-DT, 4JH-DTZ

① Ref. No.

The Ref. No. listed may not be in accordance with the illustration Ref. No.

(Ex.) Illustration No.

List Ref No.

1 1 (Before change) → 1-1 (After change)

For interchangeable symbols N, R and K, illustrations for new parts may be abbreviated.

② Lev. (Level)

Level indication

The numbers below indicate the level of relativity towards the main part.

1 ---- Main parts (Assembly parts)

2 ---- Sub component included in " 1 ".

3 ---- Sub component included in " 2 ".

Note) Parts that are not for sale are partially illustrated but not listed.

③ Interchangeability Symbol

When a part change takes place, one of the following interchangeability symbols is indicated beside the part.

Symbol	Interchangeability	Contents note
N	Old $\begin{matrix} \leftarrow \text{Yes} \\ \text{No} \rightarrow \end{matrix}$ New	New Part is interchangeable for Old Part but Old Part is not interchangeable for New Part.
Q	Old $\begin{matrix} \leftarrow \text{No} \\ \text{Yes} \rightarrow \end{matrix}$ New	New Part is not interchangeable for Old Part but Old Part is interchangeable for New Part.
R	Old $\begin{matrix} \leftarrow \text{Yes} \\ \text{Yes} \rightarrow \end{matrix}$ New	New/ Old Parts are both interchangeable.
S	Old $\begin{matrix} \leftarrow \text{No} \\ \text{No} \rightarrow \end{matrix}$ New	New/ Old Parts are both not interchangeable.
W		Part newly added.
Z		Part discontinued.
F		Not interchangeable by a single part but interchangeable together with related parts.
K		Changes only for used parts quantities.

④ Effective Machine No.

When a part changes, the effective Machine No. will be indicated in the (A)-(F) column.

Product Symbol	Product No.	Product Symbol	Product No.
C	Clutch No. Compressor No.	F	Machine No. (Agricultural Equip.)
D	Drive No.	M	Machine No.
E	Engine No.		

Note 1) A date may follow the symbol. (Ex.) 1996.01

Note 2) "XXXXX" and "ZZZZZ" are for parts that could not be predicted or for engine models that could not be identified.

Note 3) (A=E00185) is the E (Engine Serial Number) for the column (A) model (in this case 4JH-DT) after the parts design change.

⑤ Remarks

Figures or alphabets (symbols) are entered in the remarks column.

The comments (remarks) on parts that are indicated at the bottom of the illustration are the same symbols as those stated above.

Contents

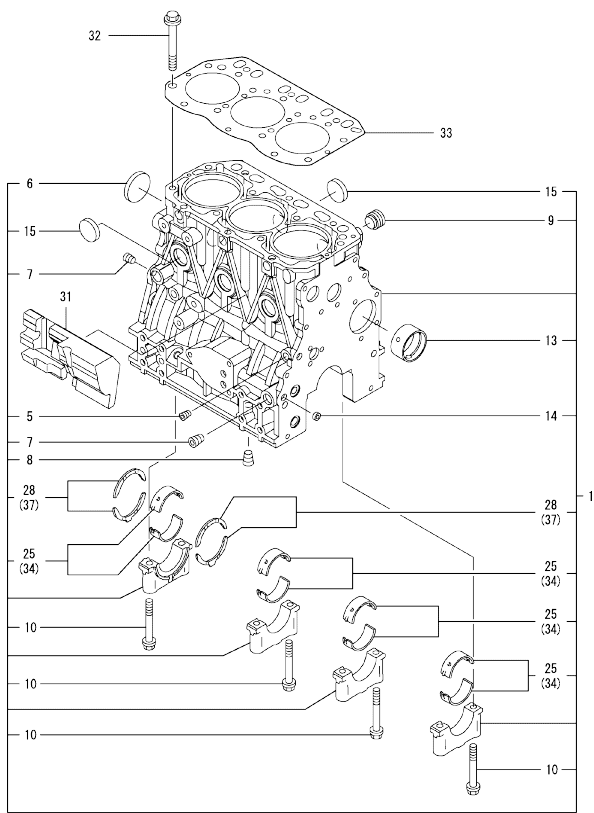
OCR10-M58800

Fig. No.	Fig. Name	Fig. No.	Fig. Name
ENGINE SECTION (3TNV84T-XWL)			
1.	CYLINDER BLOCK		
2.	GEAR HOUSING		
3.	FLYWHEEL HOUSING & OIL SUMP		
4.	CYLINDER HEAD & BONNET		
5.	SUCTION MANIFOLD		
6.	EXHAUST MANIFOLD		
7.	CAMSHAFT & DRIVING GEAR		
8.	TURBINE		
9.	CRANKSHAFT & PISTON		
10.	LUB.OIL SYSTEM		
11.	LUB.OIL LINE		
12.	COOLING WATER SYSTEM		
13.	FUEL INJECTION PUMP		
14.	GOVERNOR		
15.	FUEL INJECTION VALVE		
16.	FUEL LINE		
17.	STARTING MOTOR		
18.	GENERATOR		
19.	GASKET SET		

Fig.1. CYLINDER BLOCK

(A)=3TNV84T-XWL
(B)=
(C)=

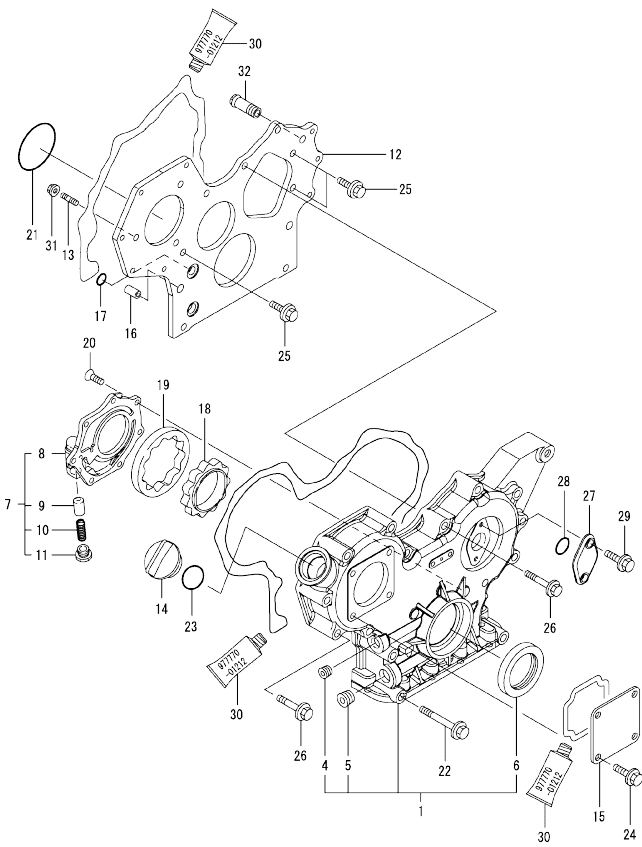
(D)=
(E)=
(F)=



No.	Lev.	Parts No.	Description	Q'ty						I	R
				(A)	(B)	(C)	(D)	(E)	(F)		
1	1	729006-01560	BLOCK ASSY, CYLINDER	1							
5	2	124060-01050	PLUG, PT1/8	1							
6	2	129001-01250	PLUG, 50	1							
7	2	124160-01910	PLUG, PT1/4	2							
8	2	124160-01910	PLUG, PT1/4	1							
9	2	171051-01921	PLUG, NPTF1	1							
10	2	129150-02020	BOLT, METAL CAP	8							
13	2	129795-02411	BUSH, CAMSHAFT	1							
14	2	27241-120000	PLUG, 12	2							
15	2	27241-300000	PLUG 30	6							
25	2	129001-02930	BEARING, MAIN	4							3
28	2	129150-02930	BEARING, THRUST	2							
31	1	129004-01190	SPACER	1							
32	1	129150-01200	BOLT, HEAD	14							
33	1	129002-01331	GASKET, HEAD	1							
34	1	129150-02870	BEARING, 0.25 US	4							1
37	1	129150-02940	BEARING, THRUST 0.25	1							2

Remarks
(1) UNDER-SIZE(U.S=0.25)PART.
(2) OVER-SIZE(O.S=0.25)PART.
(3) REPAIR PART.

Fig.2. GEAR HOUSING



(A)=3TNV84T-XWL
(B)=
(C)=

(D)=
(E)=
(F)=

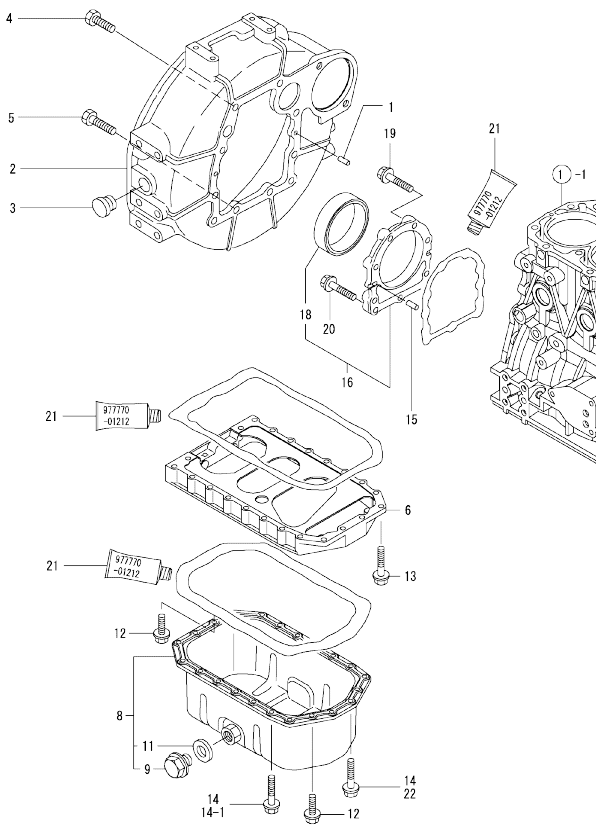
No.	Lev.	Parts No.	Description	Q'ty						I	R
				(A)	(B)	(C)	(D)	(E)	(F)		
1	1	719802-01500	CASE ASSY, GEAR	1							
4	2	23876-030000	PLUG, R03	1							
5	2	23876-040000	PLUG, R04	1							
6	2	129795-01800	SEAL, OIL	1							
7	1	119802-32100	COVER ASSY	1							
8	2	119802-32070	COVER	1							
9	2	129900-32130	VALVE, RELIEF	1							
10	2	129418-32320	SPRING	1							
11	2	129001-32330	PLUG	1							
12	1	129006-01520	FLANGE, GEAR CASE	1							
13	1	119802-01560	STUD, M8X25	3							
14	1	124160-01751	COVER, FILLER	1							
15	1	124240-01871	COVER	1							
16	1	129795-01950	PIPE, KNOCK L=18	2							
17	1	119609-32040	O-RING, P16	4							
18	1	119802-32111	ROTOR, INNER	1							
19	1	119802-32120	ROTOR, OUTER	1							
20	1	119802-32130	SCREW, M6X16	7							
21	1	121850-51960	O-RING	1							
22	1	129001-91841	BOLT, M8X85	3							
23	1	24311-000320	O-RING, 1AP32.0	1							
24	1	26106-080162	BOLT, M8X 16 PLATED	4							
25	1	26106-080162	BOLT, M8X 16 PLATED	3							
26	1	26106-080552	BOLT, M8X 55 PLATED	12							
27	1	121023-01550	COVER	1							
28	1	24341-000240	O-RING, 1AS24.0	1							
29	1	26106-060162	BOLT, M6X 16 PLATED	2							
30	1	977770-01212	GASKET, LIQUID	1							1
31	1	26306-080002	NUT, M8	3							
32	1	129122-44480	JOINT	1							

Remarks
(1) OPTIONAL PART.

Fig.3. FLYWHEEL HOUSING & OIL SUMP

(A)=3TNV84T-XWL
(B)=
(C)=

(D)=
(E)=
(F)=



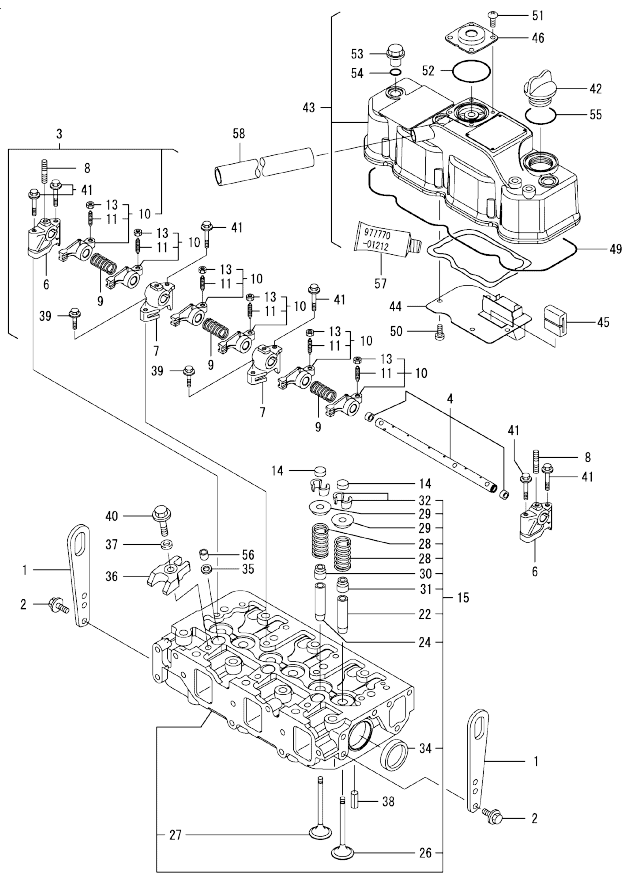
No.	Lev.	Parts No.	Description	Q'ty						I	R
				(A)	(B)	(C)	(D)	(E)	(F)		
1	1	129100-01580	PIN, M8X16	2							
2	1	129612-01600	HOUSING, FLYWHEEL	1							
3	1	119620-01750	CAP	1							
4	1	26206-100252	BOLT, M10X 25 PLATED	6							
5	1	26206-100302	BOLT, M10X 30 PLATED	4							
6	1	129100-01730	SPACER, OIL SUMP	1							
8	1	129100-01760	SUMP ASSY, OIL	1							
9	2	119640-01640	PLUG, DRAIN M22	1							
11	2	22190-220002	WASHER, SEAL 22	1							
12	1	26106-080162	BOLT, M8X 16 PLATED	4							
13	1	26106-080252	BOLT, M8X 25 PLATED	2							
14	1	26106-080452	BOLT, M8X 45 PLATED	20							
14-1	1	26106-080452	BOLT, M8X 45 PLATED	16							K
(A=FROM 1ST)											
15	1	129100-01580	PIN, M8X16	2							
16	1	129100-01640	CASE ASSY, OIL SEAL	1							
18	2	129795-01780	SEAL, OIL	1							
19	1	129486-01670	BOLT, M8X30	6							
20	1	26106-080352	BOLT, M8X 35 PLATED	3							
21	1	977770-01212	GASKET, LIQUID	1							1
22	1	26106-080502	BOLT, M8X 50 PLATED	4							W
(A=FROM 1ST)											

Remarks
(1) OPTIONAL PART.

N:Old $\frac{100}{100}$ New, Q:Old $\frac{100}{100}$ New, R:Old $\frac{100}{100}$ New, S:Old $\frac{100}{100}$ New, W:Add, Z:Discontinued, F:Interchangeable by set, K:Q'ty Change
Copyright (C) YANMAR GLOBAL CS CO., LTD. All Rights Reserved.

OCR10-M58800 ENGINE SECTION (3TNV84T-XWL)
 Fig.4. CYLINDER HEAD & BONNET

OCR10-M58800 Fig.4



(A)=3TNV84T-XWL
 (B)=
 (C)=

(D)=
 (E)=
 (F)=

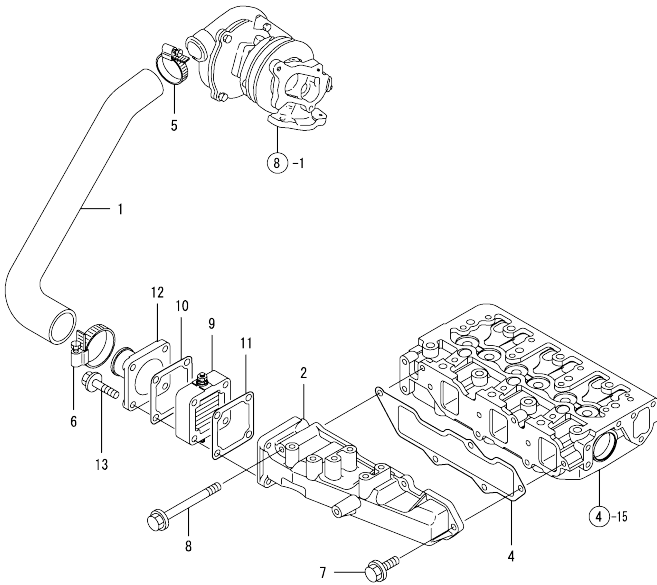
No.	Lev.	Parts No.	Description	Q'ty						I	R
				(A)	(B)	(C)	(D)	(E)	(F)		
1	1	129900-07900	LIFTER	2							
2	1	26106-080162	BOLT, M8X 16 PLATED	4							
3	1	129004-11241	SHAFT ASSY, ROCKER	1							
4	2	129004-11251	SHAFT, ROCKER ARM	1							
6	2	119802-11260	SUPPORT, ROCKER ARM	2							
7	2	119802-11270	SUPPORT, ROCKER ARM	2							
8	2	119802-11280	STUD	3							
9	2	129150-11280	SPRING	3							
10	2	129004-11650	ARM, ROCKER	6							
11	3	129150-11230	SCREW, VALVE ADJUST	6							
13	3	129150-11750	NUT, M8	6							
14	1	129150-11370	CAP. VALVE	6							
15	1	129006-11700	HEAD ASSY, CYLINDER	1							
22	2	120130-11860	GUIDE, VALVE	3							1
24	2	129150-11810	GUIDE, VALVE	3							1
26	2	129004-11101	VALVE, INTAKE	3							
27	2	129100-11130	VALVE, EXHAUST	3							
28	2	129795-11120	SPRING, VALVE	6							
29	2	129795-11180	RETAINER, SPRING	6							
30	2	121400-11340	SEAL, VALVE STEM	3							
31	2	124460-11340	SEAL, VALVE STEM	3							
32	2	27310-080001	COTTER, 8	6							
34	2	27241-400000	PLUG, 40	2							
35	1	119625-11880	SEAT, NOZZLE	3							
36	1	129004-11900	RETAINER, NOZZLE	3							
37	1	120270-54410	WASHER, INJECTOR	3							
38	1	22351-060012	PIN, SPRING 6.0X12	2							
39	1	26106-080252	BOLT, M8X 25 PLATED	2							
40	1	26106-080352	BOLT, M8X 35 PLATED	3							
41	1	26106-080502	BOLT, M8X 50 PLATED	6							
42	1	124160-01751	COVER, FILLER	1							
43	1	129006-11350	BONNET ASSY, HEAD	1							
44	2	129004-03010	PLATE	1							
45	2	129150-03070	BAFFLE, BREATHER	1							
46	2	129006-03120	COVER, DIAPHRAGM	1							
49	2	129004-11310	GASKET, BONNET	1							
50	2	22857-500100	SCREW, 5X10	4							
51	2	22857-500100	SCREW, 5X10	4							
52	2	24341-000400	O-RING, 1AS40.0	1							
53	1	124160-11360	KNOB	3							
54	1	24311-000120	O-RING, 1AP12.0	3							
55	1	24311-000320	O-RING, 1AP32.0	1							
56	1	119802-11870	PROTECTOR, NOZZLE	3							
57	1	977770-01212	GASKET, LIQUID	1							2
58	1	129150-03090	HOSE, ID16X2T	1							

Remarks

- (1) REPAIR PART.
- (2) OPTIONAL PART.

N:Old $\frac{100}{100}$ New, Q:Old $\frac{100}{100}$ New, R:Old $\frac{100}{100}$ New, S:Old $\frac{100}{100}$ New, W:Add, Z:Discontinued, F:Interchangeable by set, K:Q'ty Change
 Copyright (C) YANMAR GLOBAL CS CO., LTD. All Rights Reserved.

Fig.5. SUCTION MANIFOLD



(A)=3TNV84T-XWL
(B)=
(C)=

(D)=
(E)=
(F)=

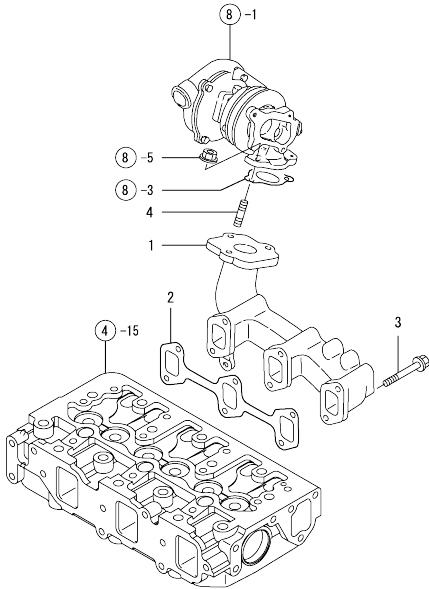
No.	Lev.	Parts No.	Description	Q'ty					
				(A)	(B)	(C)	(D)	(E)	(F)
1	1	129006-12060	PIPE, AIR INTAKE	1					
2	1	129006-12100	MANIFOLD, AIR INTAKE	1					
4	1	129001-12110	GASKET, MANIFOLD	1					
5	1	23000-041000	CLAMP, 41	1					
6	1	23000-060000	CLAMP, 60	1					
7	1	26106-080202	BOLT, M8X 20 PLATED	4					
8	1	26106-080802	BOLT, M8X 80 PLATED	1					
9	1	129100-77500	HEATER, AIR 12V	1					
10	1	129100-77510	GASKET, AIR HEATER	1					
11	1	129150-77511	GASKET	1					
12	1	129165-77520	BEND, AIR HEATER	1					
13	1	26106-080402	BOLT, M8X 40 PLATED	4					

Fig.6. EXHAUST MANIFOLD

(A)=3TNV84T-XWL
(B)=
(C)=

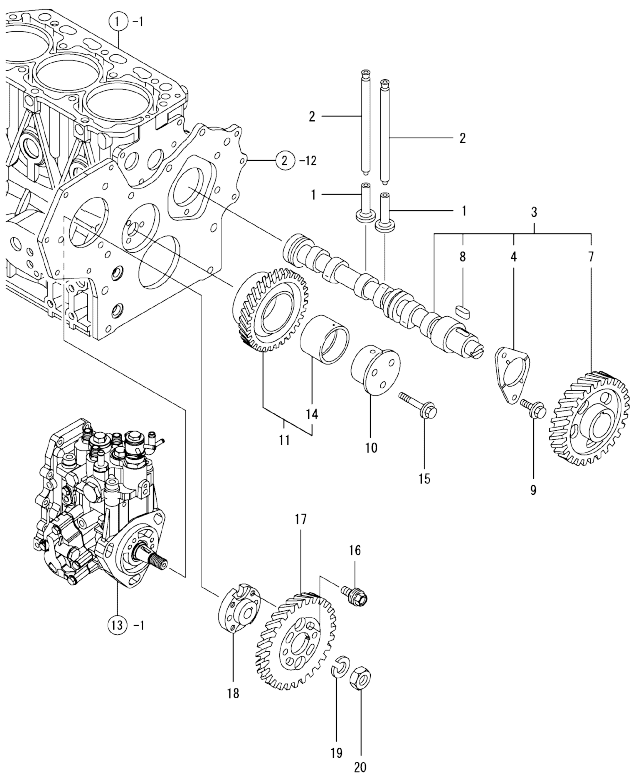
(D)=
(E)=
(F)=

No.	Lev.	Parts No.	Description	Q'ty					
				(A)	(B)	(C)	(D)	(E)	(F)
1	1	129139-13100	MANIFOLD, EXHAUST	1					
2	1	129150-13110	GASKET	1					
3	1	123900-13630	BOLT, M8X80	6					
4	1	119131-18320	STUD, M8X22	3					



OCR10-M58800 ENGINE SECTION (3TNV84T-XWL)
 Fig.7. CAMSHAFT & DRIVING GEAR

OCR10-M58800 Fig.7



(A)=3TNV84T-XWL
 (B)=
 (C)=

(D)=
 (E)=
 (F)=

No.	Lev.	Parts No.	Description	Q'ty						I	R
				(A)	(B)	(C)	(D)	(E)	(F)		
1	1	129150-14200	TAPPET	6							
2	1	129150-14400	ROD, PUSH L=178	6							
3	1	129129-14580	CAMSHAFT ASSY	1							
4	2	129150-02450	BEARING, THRUST	1							
7	2	129150-14101	GEAR, CAMSHAFT	1							
8	2	22512-070140	KEY, 7X 14	1							
9	1	26106-080142	BOLT, M8X 14 PLATED	2							
10	1	119802-25051	SHAFT, IDLE	1							
11	1	119802-25100	GEAR ASSY, IDLE	1							
14	2	119802-25070	BUSH, IDLE GEAR	1							1
15	1	26106-080402	BOLT, M8X 40 PLATED	3							
16	1	129150-25301	BOLT	4							
17	1	119802-25901	GEAR, PUMP	1							
18	1	158552-51151	FLANGE	1							
19	1	22217-140000	WASHER, SPRING 14	1							
20	1	26776-140002	NUT, LOCK M14	1							

Remarks
 (1) REPAIR PART.

N:Old $\frac{100}{100}$ New, Q:Old $\frac{100}{100}$ New, R:Old $\frac{100}{100}$ New, S:Old $\frac{100}{100}$ New, W:Add, Z:Discontinued, F:Interchangeable by set, K:Q'ty Change
 Copyright (C) YANMAR GLOBAL CS CO., LTD. All Rights Reserved.

Fig.8. TURBINE

(A)=3TNV84T-XWL
(B)=
(C)=

(D)=
(E)=
(F)=

No.	Lev.	Parts No.	Description	Q'ty					
				(A)	(B)	(C)	(D)	(E)	(F)
1	1	129266-18010	TURBINE, RHB31W/G	1					
2	1	129403-18091	GASKET	1					
3	1	129535-18100	GASKET	1					
4	1	129418-18320	STUD, M8X20	4					
5	1	26306-080002	NUT, M8	3					

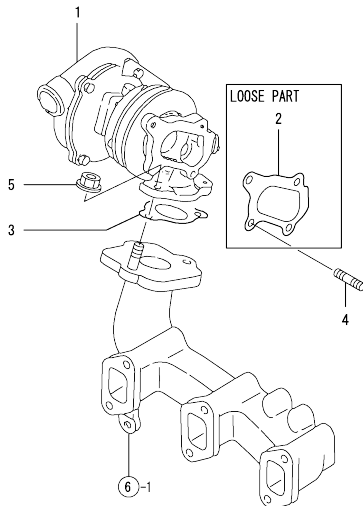
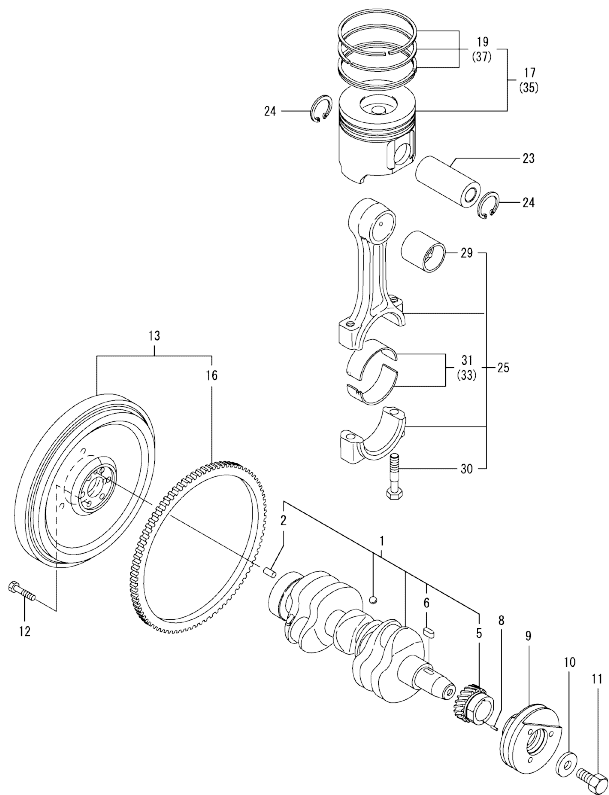


Fig.9. CRANKSHAFT & PISTON



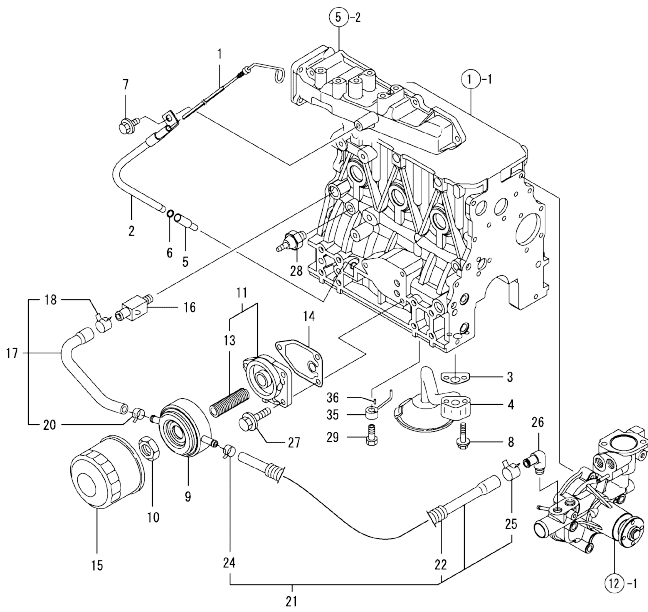
(A)=3TNV84T-XWL
(B)=
(C)=

(D)=
(E)=
(F)=

No.	Lev.	Parts No.	Description	Q'ty						
				(A)	(B)	(C)	(D)	(E)	(F)	
1	1	129004-21002	CRANKSHAFT ASSY	1						
2	2	129100-01580	PIN, M8X16	1						
5	2	119802-21202	GEAR, CRANKSHAFT	1						
6	2	22512-070140	KEY, 7X 14	1						
8	1	22351-030010	PIN, SPRING 3.0X10	1						
9	1	129004-21650	V-PULLEY, 110	1						
10	1	129795-21661	WASHER	1						
11	1	121850-21680	BOLT	1						
12	1	121111-21501	BOLT, FLYWHEEL	6						
13	1	129128-21590	FLYWHEEL ASSY	1						
16	2	119865-21600	GEAR, RING	1						
17	1	129007-22080	PISTON ASSY	3						
19	2	129007-22500	RING SET, PISTON	3						
23	1	129202-22300	PIN, PISTON D26 L70	3						
24	1	22252-000260	RING, 26	6						
25	1	729402-23100	ROD ASSY, CONNECTING	3						1
29	2	129100-23910	BEARING, PISTON PIN	3						
30	2	121550-23200	BOLT, CONNECTING ROD	6						
31	2	129150-23600	BEARING, CRANK PIN	3						
33	1	129150-23610	BEARING, 0.25 US	3						2
35	1	129007-22900	PISTON ASSY, 0.25 OS	3						3
37	2	129007-22510	RING SET, 0.25 OS	3						3

Remarks
 (1) REPAIR PART.
 (2) UNDER-SIZE(U.S=0.25)PART.
 (3) OVER-SIZE(O.S=0.25)PART.

Fig.10. LUB.OIL SYSTEM



(A)=3TNV84T-XWL
(B)=
(C)=

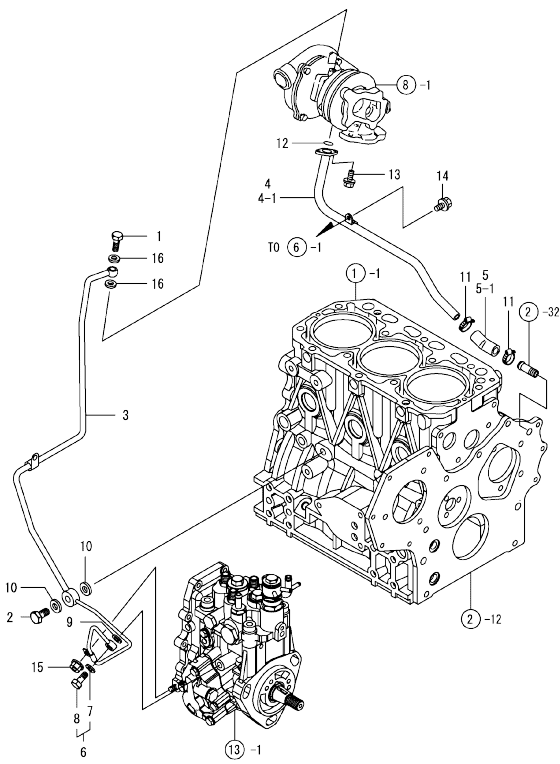
(D)=
(E)=
(F)=

No.	Lev.	Parts No.	Description	Qty						I	R
				(A)	(B)	(C)	(D)	(E)	(F)		
1	1	129601-34801	DIPSTICK, OIL	1							
2	1	119802-34850	GUIDE, DIPSTICK	1							
3	1	129150-35042	GASKET	1							
4	1	129100-35301	PIPE ASSY, OIL INLET	1							
5	1	119260-34810	GUIDE, DIPSTICK	1							
6	1	24311-240100	O-RING, 1AP10A	1							
7	1	26106-080162	BOLT, M8X 16 PLATED	1							
8	1	26106-080352	BOLT, M8X 35 PLATED	2							
9	1	129508-33010	COOLER ASSY, OIL	1							
10	1	129417-33110	NUT	1							
11	1	129006-35100	BRACKET ASSY, FILTER	1							
13	2	129417-35150	STUD, L=67	1							
14	1	129150-35111	GASKET	1							
15	1	129150-35170	FILTER, LO	1							1
16	1	129006-44480	JOINT	1							
17	1	129508-49030	PIPE ASSY, WATER	1							
18	2	171008-03990	CLIP, HOSE 18.5	1							
20	2	23080-015000	CLAMP, 15	1							
21	1	129006-49040	PIPE ASSY, WATER	1							
22	2	129642-49180	TUBE, CORRUGATED	1							
24	2	23080-015000	CLAMP, 15	1							
25	2	23080-018000	CLAMP, 18	1							
26	1	129103-49301	ELBOW, PT1/4	1							
27	1	26106-080202	BOLT, M8X 20 PLATED	3							
28	1	114250-39450	SWITCH, 0.5KG	1							
29	1	129792-39410	VALVE ASSY, CHECK	3							
35	1	129553-39650	NOZZLE	3							
36	1	22351-030010	PIN, SPRING 3.0X10	3							

Remarks
(1) REPAIR PART.

N:Old $\frac{100}{100}$ New, Q:Old $\frac{100}{100}$ New, R:Old $\frac{100}{100}$ New, S:Old $\frac{100}{100}$ New, W:Add, Z:Discontinued, F:Interchangeable by set, K:Qty Change
Copyright (C) YANMAR GLOBAL CS CO., LTD. All Rights Reserved.

Fig.11. LUB.OIL LINE



(A)=3TNV84T-XWL
(B)=
(C)=

(D)=
(E)=
(F)=

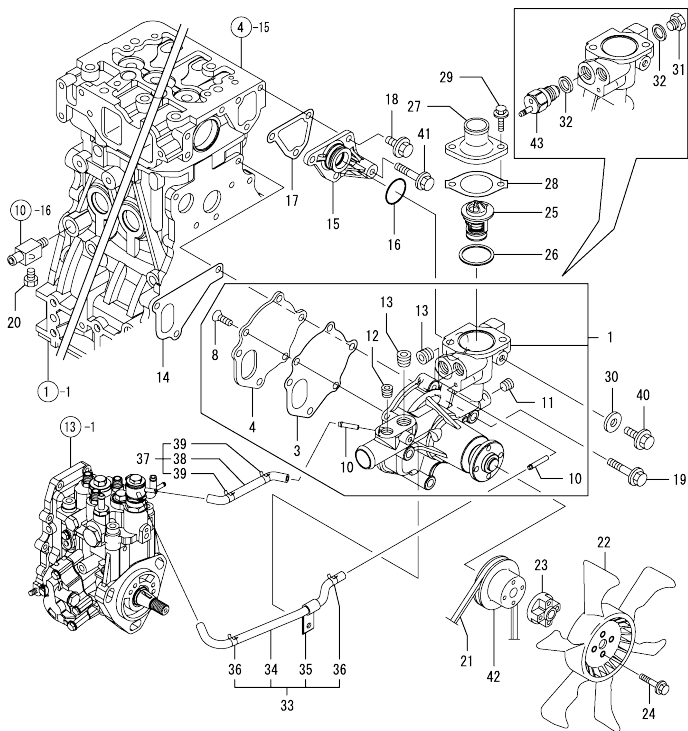
No.	Lev.	Parts No.	Description	Q'ty						I	R
				(A)	(B)	(C)	(D)	(E)	(F)		
1	1	105010-39140	BOLT, PIPE JOINT	1							
2	1	124160-39140	BOLT, PIPE JOINT M10	1							
3	1	129006-39450	PIPE ASSY, OIL	1							
4	1	129139-39601	PIPE, OIL	1							
4-1	1	129139-39610	PIPE, OIL RETURN	1						F	1
(A=2007.06.)											
5	1	129403-39610	JOINT, RUBBER	1							
5-1	1	129044-39610	JOINT, RUBBER	1							S
(A=2007.06.)											
6	1	129005-59830	BOLT ASSY, JOINT M8	1							
7	2	22190-080002	WASHER, SEAL 6	1							
8	2	23857-030000	BOLT, JOINT 3	1							
9	1	22190-080002	WASHER, SEAL 6	1							
10	1	22190-100002	WASHER, SEAL 10	2							
11	1	23000-022000	CLAMP, 22	2							
12	1	24314-000160	O-RING, 4CP16.0	1							
13	1	26106-060162	BOLT, M6X 16 PLATED	2							
14	1	26106-080122	BOLT, M8X 12 PLATED	1							
15	1	26366-060002	NUT, M6	1							
16	1	23414-080000	GASKET, 8X1.0	2							

Remarks
(1) INTERCHANGEABLE BY SIMULTANEOUS
REPLACEMENT WITH REF.No.5-1.

N:Old $\frac{100}{100}$ New, Q:Old $\frac{100}{100}$ New, R:Old $\frac{100}{100}$ New, S:Old $\frac{100}{100}$ New, W:Add, Z:Discontinued, F:Interchangeable by set, K:Q'ty Change
Copyright (C) YANMAR GLOBAL CS CO., LTD. All Rights Reserved.

OCR10-M58800 ENGINE SECTION (3TNV84T-XWL)
 Fig.12. COOLING WATER SYSTEM

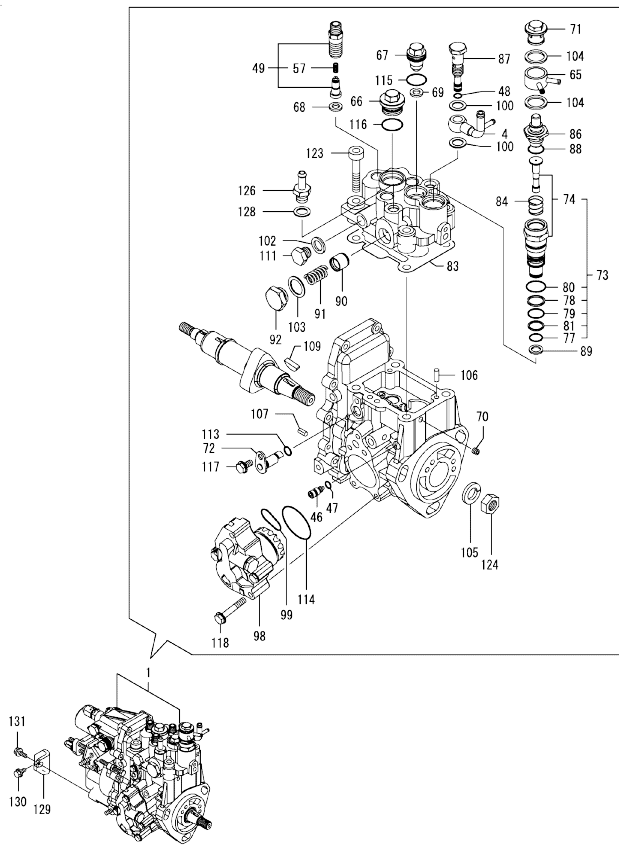
OCR10-M58800 Fig.12



No.	Lev.	Parts No.	Description	Q'ty						I	R
				(A)	(B)	(C)	(D)	(E)	(F)		
1	1	129004-42001	PUMP ASSY, WATER	1							
3	2	129100-42051	GASKET, WATER PUMP	1							
4	2	129100-42121	PLATE	1							
8	2	121850-42410	SCREW	3							
10	2	119802-49113	JOINT, PIPE	2							
11	2	23876-010000	PLUG, R01	1							
12	2	23876-020000	PLUG, R02	1							
13	2	129916-49740	PLUG, R03	2							
14	1	129486-42021	GASKET, WATER PUMP	1							
15	1	129004-42040	JOINT	1							
16	1	129486-42140	O-RING, G30	1							
17	1	124395-49840	GASKET	1							
18	1	26106-080162	BOLT, M8X 16 PLATED	3							
19	1	26106-080602	BOLT, M8X 60 PLATED	3							
20	1	171056-49120	PLUG, DRAIN	1							
21	1	25132-003800	V-BELT, A38	1							
22	1	129030-44740	FAN, COOLING D360XUG	1							
23	1	121267-44760	SPACER	1							
24	1	26106-060302	BOLT, M6X 30 PLATED	4							
25	1	129155-49801	THERMOSTAT, 71	1							
26	1	129150-49811	GASKET, THERMOSTAT	1							
27	1	129350-49530	COVER, THERMOSTAT	1							
28	1	129795-49551	GASKET	1							
29	1	26106-080222	BOLT, M8X 22 PLATED	2							
30	1	23414-080000	GASKET, 8X1.0	1							
31	1	121450-42450	PLUG, M16	1							
32	1	124465-44950	GASKET, 16	2							
33	1	129004-49610	PIPE ASSY, WATER	1							
34	2	129004-49711	PIPE ASSY, WATER	1							
35	2	119802-49730	RETAINER, PIPE	1							
36	2	124722-59050	CLIP, HOSE 9	2							
37	1	129004-49620	PIPE ASSY, WATER	1							
38	2	129004-49721	PIPE ASSY, WATER	1							
39	2	124722-59050	CLIP, HOSE 9	2							
40	1	26106-080122	BOLT, M8X 12 PLATED	1							
41	1	26106-080452	BOLT, M8X 45 PLATED	1							
42	1	129403-42380	V-PULLEY, D=110	1							
43	1	121250-44901	SWITCH, 110	1							

N:Old $\frac{100}{100}$ New, Q:Old $\frac{100}{100}$ New, R:Old $\frac{100}{100}$ New, S:Old $\frac{100}{100}$ New, W:Add, Z:Discontinued, F:Interchangeable by set, K:Qty Change
 Copyright (C) YANMAR GLOBAL CS CO., LTD. All Rights Reserved.

Fig.13. FUEL INJECTION PUMP

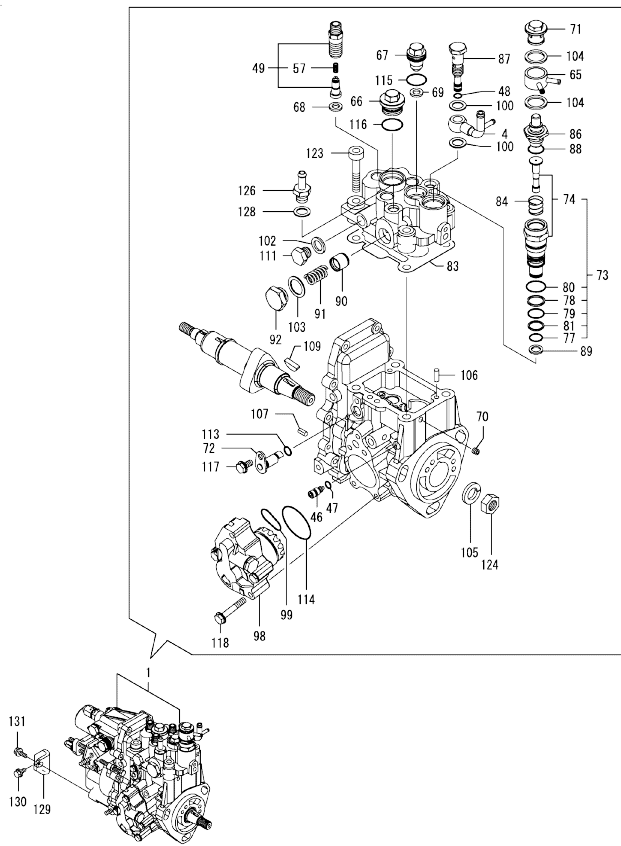


Remarks
 (1) GOVERNOR ASSY(FIG.14) IS
 INCORPORATED IN THIS FOP.CMP
 (REF.NO.1).

No.	Lev.	Parts No.	Description	Q'ty						I	R
				(A)	(B)	(C)	(D)	(E)	(F)		
1	1	729044-51390	PUMP ASSY, INJECTION	1							1
4	2	158552-51670	JOINT, OVER FLOW	1							
46	2	158600-51270	STOPPER, TAPPET	1							
47	2	158563-51281	O-RING, 4D S6	1							
48	2	158563-51281	O-RING, 4D S6	1							
49	2	129009-51390	VALVE ASSY, DELIVERY	3							W
(A=*2008.02.)											
57	3	158563-51330	SPRING, DELIVERY	3							
65	2	158553-51551	JOINT	1							
66	2	158601-51550	PLUG	1							
67	2	119802-51560	PLUG, BARREL	1							
68	2	158552-51570	GASKET	3							
69	2	158552-51570	GASKET	1							
70	2	158557-51570	PLUG	1							
71	2	158601-51570	PLUG	1							
72	2	158552-51580	LIFTER	1							
73	2	119802-51590	TIMER SET	1							
74	3	119802-51600	TIMER ASSY	1							
77	3	158553-51670	O-RING, 1011	1							
78	3	119802-51680	RING, BACK UP	1							
79	3	119802-51690	O-RING	1							
80	3	24356-010200	O-RING, 4D1020	1							
81	3	24372-000150	RING, BACK UP T2P15	1							
83	2	158552-51600	GASKET	1							
84	2	158553-51630	SPRING, TIMER	1							
86	2	158553-51640	ELEMENT	1							
87	2	158601-51650	JOINT, OVER FLOW	1							
88	2	158553-51660	O-RING, P14	1							
89	2	158553-51680	GASKET	1							
90	2	158601-51770	PISTON	1							
91	2	158552-51780	SPRING	1							
92	2	158601-51790	PLUG	1							
98	2	158552-52100	PUMP ASSY, FUEL FEED	1							
99	2	158552-52310	O-RING	1							
100	2	22190-120002	WASHER, SEAL 12	2							
102	2	22190-120002	WASHER, SEAL 12	1							
103	2	22190-180002	WASHER, SEAL 18	1							
104	2	22190-180002	WASHER, SEAL 18	2							
105	2	22217-140000	WASHER, SPRING 14	1							
106	2	22312-050140	PIN, PARALLEL M5X14	2							
107	2	22351-050010	PIN, SPRING 5.0X10	2							
109	2	119802-51090	KEY, 4X16	1							
111	2	23887-120002	PLUG, 12	1							
113	2	24311-000070	O-RING, 1AP7.0	1							
114	2	158552-52400	O-RING, 4E S42	1							
115	2	24356-010180	O-RING, 4D1018	1							
116	2	24356-010200	O-RING, 4D1020	1							
117	2	26106-060102	BOLT, M6X 10 PLATED	1							
118	2	158553-51770	BOLT	4							
123	2	26450-080452	BOLT, M8X 45	4							
124	2	26776-140002	NUT, LOCK M14	1							

N:Old ^{REV}/_{REV} New, Q:Old ^{REV}/_{REV} New, R:Old ^{REV}/_{REV} New, S:Old ^{REV}/_{REV} New, W:Add, Z:Discontinued, F:Interchangeable by set, K:Q'ty Change
 ++ CONTINUE ++
 Copyright (C) YANMAR GLOBAL CS CO., LTD. All Rights Reserved.

Fig.13. FUEL INJECTION PUMP



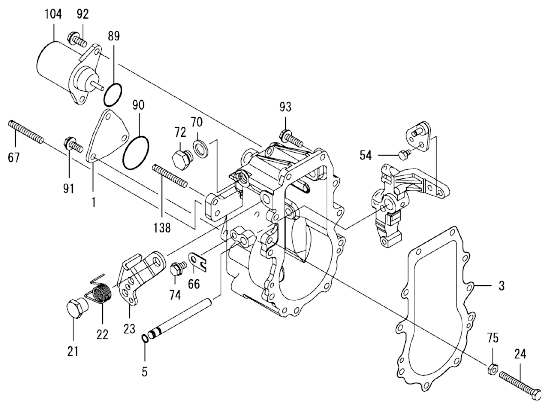
(A)=3TNV84T-XWL
(B)=
(C)=

(D)=
(E)=
(F)=

No.	Lev.	Parts No.	Description	Q'ty						I	R
				(A)	(B)	(C)	(D)	(E)	(F)		
126	2	119934-59910	JOINT, PIPE	1							
128	2	22190-120002	WASHER, SEAL 12	1							
129	1	119802-51250	RETAINER, PUMP	1							
130	1	26106-080162	BOLT, M8X 16 PLATED	1							
131	1	26106-080202	BOLT, M8X 20 PLATED	1							

Remarks
(1) GOVERNOR ASSY(FIG.14) IS
INCORPORATED IN THIS FOP.CMP
(REF.NO.1).

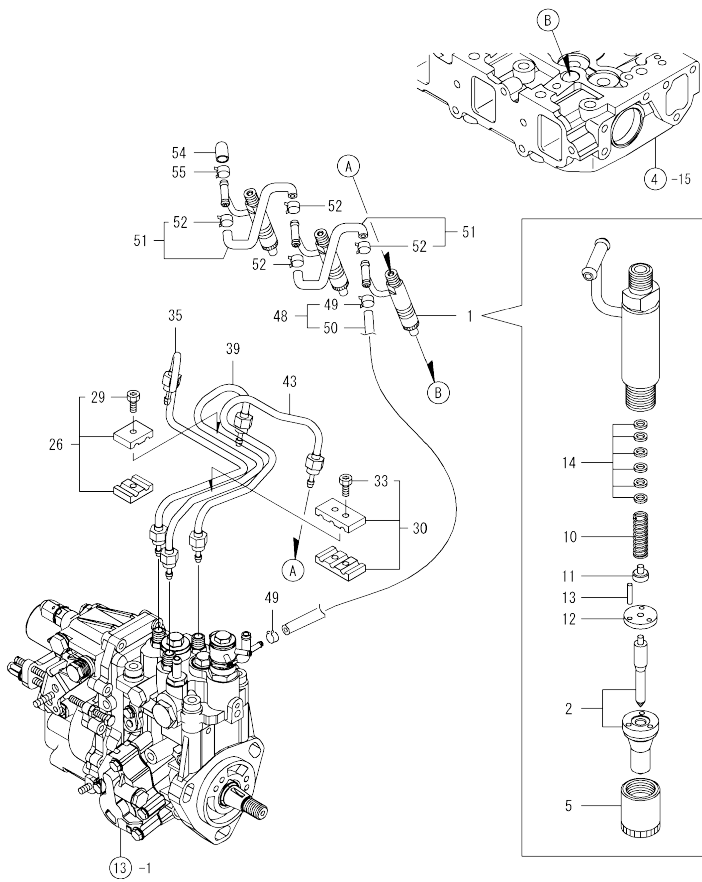
Fig.14. GOVERNOR



No.	Lev.	Parts No.	Description	Q'ty						I	R
				(A)	(B)	(C)	(D)	(E)	(F)		
1	2	158563-61060	COVER, GOVERNOR CASE	1							
3	2	158553-61050	GASKET	1							
5	2	129155-51280	O-RING, S6	1							
21	2	129255-61410	NUT, LOCK	1							
22	2	119807-61420	SPRING, RETURN	1							
23	2	158552-61441	LEVER, REGULATOR	1							
24	2	129155-61460	BOLT, IDLE	1							
54	2	26116-060102	BOLT, M6X 10 PLATED	1							
66	2	119660-61901	RETAINER, SHAFT	1							
67	2	171002-66830	SCREW	1							
70	2	22190-120000	WASHER, SEAL 12	1							
72	2	23887-120002	PLUG, 12	1							
74	2	26106-060102	BOLT, M6X 10 PLATED	1							
75	2	26756-060002	NUT, LOCK M6	1							
89	2	24341-000280	O-RING, 1AS28.0	1							
89-1	2	158552-61900	O-RING	1							N
		(A=EXXXXX)									
90	2	24341-000360	O-RING, 1AS36.0	1							
91	2	26106-060102	BOLT, M6X 10 PLATED	3							
92	2	26106-060142	BOLT, M6X 14 PLATED	2							
93	2	26106-060202	BOLT, M6X 20 PLATED	10							
104	2	119233-77932	SOLENOID, STOP	1							
138	2	171002-66830	SCREW	1							

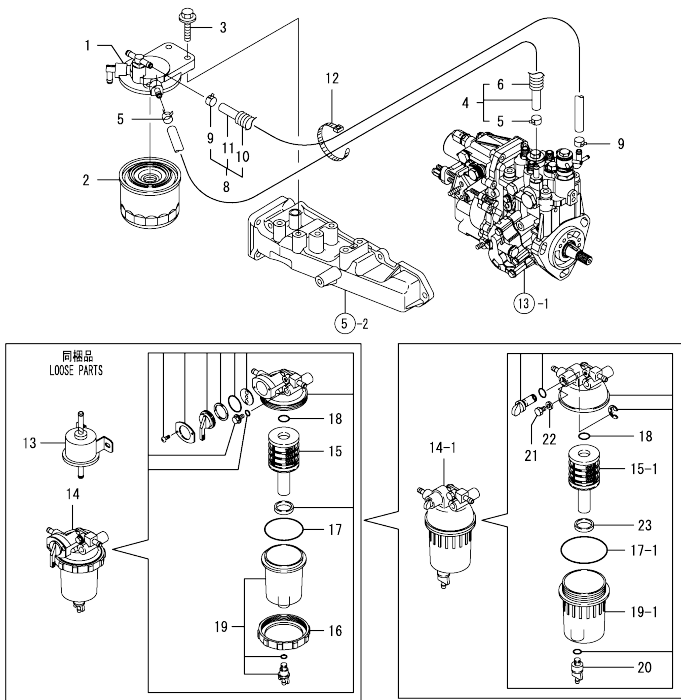
Remarks
 * THIS FIGURE(GOVERNOR ASSY)IS
 INCORPORATED IN THE FUEL INJECTION
 PUMP ASSY(FIG.13).

Fig.15. FUEL INJECTION VALVE



No.	Lev.	Parts No.	Description	Q'ty						I	R
				(A)	(B)	(C)	(D)	(E)	(F)		
1	1	729044-53100	VALVE ASSY,INJECTION	3							
2	2	129006-53001	VALVE ASSY,INJECTION	3							
5	2	114250-53080	NUT, NOZZLE D16.95	3							
10	2	114250-53120	SPRING, NOZZLE	3							
11	2	114250-53130	SEAT, SPRING	3							
12	2	114250-53140	PLATE	3							
13	2	114250-53210	PIN	6							
14	2	114250-53400	SHIM SET	3							
26	1	119305-59120	RETAINER, PIPE	1							
29	2	129150-59131	BOLT, M4X14	1							
30	1	129150-59120	RETAINER, PIPE	1							
33	2	129150-59131	BOLT, M4X14	2							
35	1	129004-59810	PIPE ASSY, INJECTION	1							
39	1	129004-59820	PIPE ASSY, INJECTION	1							
43	1	129004-59830	PIPE ASSY, INJECTION	1							
48	1	119802-59550	PIPE ASSY, RETURN	1							
49	2	124722-59050	CLIP, HOSE 9	2							
50	2	119802-59560	PIPE, FUEL RETURN	1							
51	1	129486-59551	PIPE ASSY, RETURN	2							
52	2	124722-59050	CLIP, HOSE 9	4							
54	1	119593-59580	CAP	1							
55	1	124060-77680	CLIP, HOSE 10	1							

Fig.16. FUEL LINE

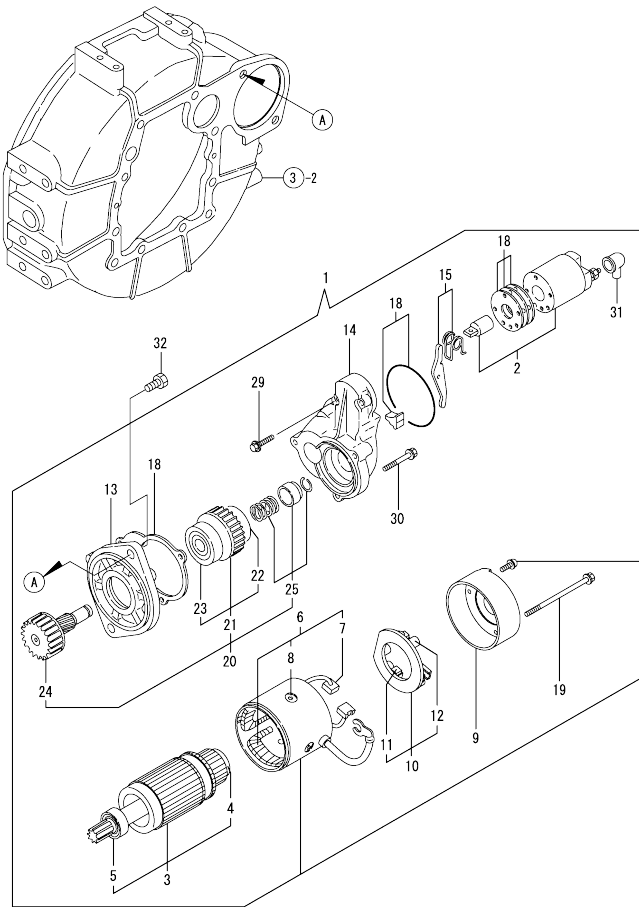


(A)=3TNV84T-XWL
(B)=
(C)=

(D)=
(E)=
(F)=

No.	Lev.	Parts No.	Description	Qty						I	R
				(A)	(B)	(C)	(D)	(E)	(F)		
1	1	129004-55610	BRACKET, FILTER	1							
2	1	119802-55800	FILTER, FUEL	1							
3	1	26106-080302	BOLT, M8X 30 PLATED	2							
4	1	129044-59010	PIPE, D13/7.5X220	1							
5	2	124766-59050	CLIP, HOSE 12	2							
6	2	129044-59100	TUBE, CORRUGATED	1							
8	1	129950-59311	PIPE, FUEL	1							
9	2	124766-59050	CLIP, HOSE 12	2							
10	2	129961-59110	TUBE, CORRUGATED	1							
11	2	105025-59580	PIPE, FUEL	1							
12	1	121750-59890	BAND, 140	1							
13	1	119225-52102	PUMP ASSY, FUEL FEED	1							
14	1	119802-55700	SEPARATOR ASSY	1							
14-1	1	129242-55700	SEPARATOR ASSY	1							N
(A=2008.08.)											
15	2	119802-55710	ELEMENT	1							
15-1	2	129242-55730	ELEMENT	1							S
(A=2008.08.)											
16	2	129100-55690	RING, RETAINING	1							Z
(A=2008.08.)											
17	2	24321-000650	O-RING, 1AG65.0	1							
17-1	2	24321-000750	O-RING, 1AG75.0	1							S
(A=2008.08.)											
18	2	24311-000160	O-RING, 1AP16.0	1							
19	2	119802-55730	CUP ASSY	1							W
(A=FROM 1ST)											
19-1	2	129242-55720	CUP	1							S
(A=2008.08.)											
20	2	129242-55740	PLUG, DRAIN	1							W
(A=2008.08.)											
21	2	129242-55750	VALVE, AIR VENT	1							W
(A=2008.08.)											
22	2	129242-55760	GASKET	1							W
(A=2008.08.)											
23	2	129242-55770	FLOAT	1							W
(A=2008.08.)											

Fig.17. STARTING MOTOR

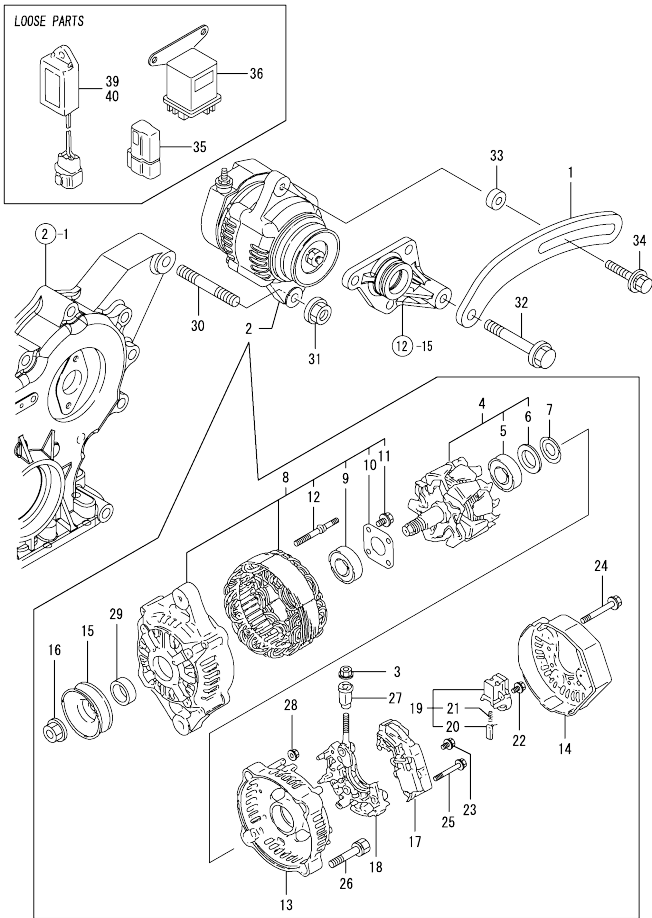


(A)=3TNV84T-XWL
(B)=
(C)=

(D)=
(E)=
(F)=

No.	Lev.	Parts No.	Description	Qty					
				(A)	(B)	(C)	(D)	(E)	(F)
1	1	129136-77011	STARTER	1					
2	2	129136-77310	SWITCH ASSY	1					
3	2	129900-77400	ARMATURE ASSY	1					
4	3	X2130350900	BALL BEARING	1					
5	3	X2114255110	BEARING, BALL	1					
6	2	129900-77440	COIL ASSY, FIELD	1					
7	3	129900-77450	BRUSH (+)	2					
8	3	171008-77450	SCREW	4					
9	2	129900-77460	COVER, REAR	1					
10	2	129900-77480	HOLDER ASSY, BRASH	1					
11	3	129900-77450	BRUSH (+)	2					
12	3	129400-77490	SPRING, BRUSH	4					
13	2	171008-77510	HOUSING ASSY, GEAR	1					
14	2	129136-77520	CENTER HOUSING	1					
15	2	171008-77540	LEVER SET, SHIFT	1					
18	2	129400-77571	COVER KIT, DUST	1					
19	2	129900-77640	BOLT, THROUGH	2					
20	2	171008-77650	PINION ASSY	1					
21	3	X2114555500	CLUTCH ASSY	1					
22	4	X2114955020	BALL BEARING	1					
23	4	X2240410100	BEARING, BALL	1					
24	3	171008-77660	SHAFT, PINION	1					
25	3	171008-77670	STOPPER SET, PINION	1					
29	2	26106-060322	BOLT, M6X 32 PLATED	2					
30	2	26106-060402	BOLT, M6X 40 PLATED	3					
31	2	171008-77750	COVER, M TERMINAL	1					
32	1	26116-120252	BOLT, M12X 25 PLATED	2					

Fig.18. GENERATOR

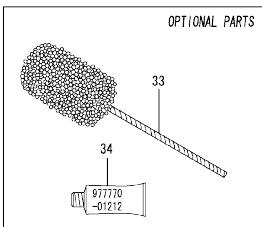
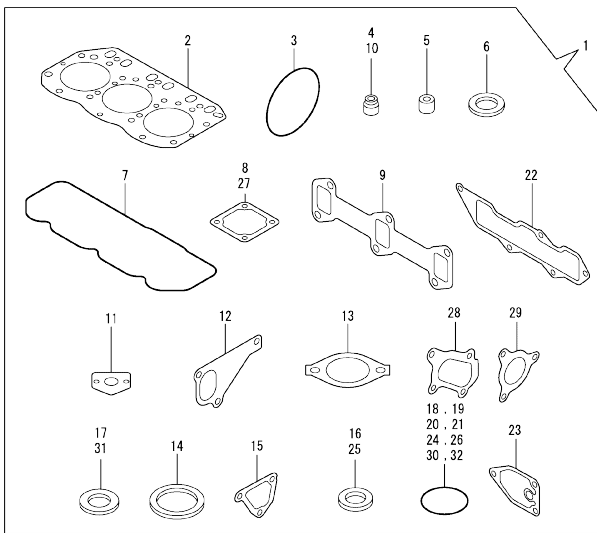


No.	Lev.	Parts No.	Description	Q'ty					
				(A)	(B)	(C)	(D)	(E)	(F)
1	1	119802-77330	ADJUSTER	1					
2	1	129423-77200	GENERATOR, 12V-40A	1					
3	2	X9490561001	NUT	1					
4	2	119620-77380	ROTOR ASSY	1					
5	3	119620-79240	BALL BEARING	1					
6	3	119620-79250	COVER, BEARING	1					
7	2	119620-79360	WASHER, THRUST	1					
8	2	119620-77421	FRAME ASSY, DRIVE	1					
9	3	119620-79200	BALL BEARING	1					
10	3	119620-79210	PLATE	1					
11	3	119620-79220	SCREW	4					
12	3	119620-79230	BOLT, STUD	2					
13	2	119620-77440	FLAME ASSY, REAR	1					
14	2	129240-79300	COVER	1					
15	2	119620-77461	PULLEY	1					
16	2	119620-77471	NUT	1					
17	2	129423-77710	REGULATOR ASSY	1					
18	2	119620-79260	HOLDER	1					
19	2	119620-79270	HOLDER, BRUSH	1					
20	3	119620-77480	BRUSH ASSY	2					
21	3	119620-79280	SPRING	2					
22	2	119620-79290	SCREW	1					
23	2	119620-79300	SCREW	1					
24	2	119620-79310	BOLT	3					
25	2	119620-79320	SCREW W/WASHER	2					
26	2	119620-79330	BOLT	2					
27	2	119620-79340	INSULATION BUSH	1					
28	2	119620-79350	NUT	2					
29	2	119620-77490	COLLAR	1					
30	1	129795-01900	STUD	1					
31	1	26306-100002	NUT, M10	1					
32	1	26106-080452	BOLT, M8X 45 PLATED	1					
33	1	119940-77270	SPACER, GENERATOR	1					
34	1	119802-77340	BOLT, ADJUSTER	1					
35	1	119643-66900	DIODE	1					
36	1	119650-77910	RELAY ASSY, GLOW	1					
39	1	128300-77920	TIMER	1					
40	1	129211-77920	TIMER	1					

N:Old $\frac{100}{100}$ New, Q:Old $\frac{100}{100}$ New, R:Old $\frac{100}{100}$ New, S:Old $\frac{100}{100}$ New, W:Add, Z:Discontinued, F:Interchangeable by set, K:Qty Change
 Copyright (C) YANMAR GLOBAL CS CO., LTD. All Rights Reserved.

Fig.19. GASKET SET

(A)=3TNV84T-XWL
(D)=
(E)=
(F)=



No.	Lev.	Parts No.	Description	Q'ty						I	R	
				(A)	(B)	(C)	(D)	(E)	(F)			
1	1	729246-92780	GASKET SET	1							1	
2	2	129002-01331	GASKET, HEAD	1								
3	2	121850-51960	O-RING	1								
4	2	124460-11340	SEAL, VALVE STEM	3								
5	2	119802-11870	PROTECTOR, NOZZLE	3								
6	2	119625-11880	SEAT, NOZZLE	3								
7	2	129004-11310	GASKET, BONNET	1								
8	2	129150-77511	GASKET	1								
9	2	129150-13110	GASKET	1								
10	2	121400-11340	SEAL, VALVE STEM	3								
11	2	129150-35042	GASKET	1								
12	2	129486-42021	GASKET, WATER PUMP	1								
13	2	129795-49551	GASKET	1								
14	2	129150-49811	GASKET, THERMOSTAT	1								
15	2	124395-49840	GASKET	1								
16	2	22190-080002	WASHER, SEAL 6	2								
17	2	124465-44950	GASKET, 16	2								
18	2	24311-000120	O-RING, 1AP12.0	3								
19	2	24311-000320	O-RING, 1AP32.0	2								
20	2	24341-000240	O-RING, 1AS24.0	1								
21	2	129486-42140	O-RING, G30	1								
22	2	129001-12110	GASKET, MANIFOLD	1								
23	2	129150-35111	GASKET	1								
24	2	119609-32040	O-RING, P16	4								
25	2	22190-100002	WASHER, SEAL 10	2								
26	2	24341-000400	O-RING, 1AS40.0	1								
27	2	129100-77510	GASKET, AIR HEATER	1								
28	2	129403-18091	GASKET	1								
29	2	129535-18100	GASKET	1								
30	2	24314-000160	O-RING, 4CP16.0	1								
31	2	23414-080000	GASKET, 8X1.0	3								
32	2	24311-240100	O-RING, 1AP10A	1								
33	1	129400-92420	FLEX HORN	1								1
34	1	977770-01212	GASKET, LIQUID	1								1

Remarks
(1) OPTIONAL PART.

Parts No. Index

Parts No.	Fig. No.	Ref. No.	Parts No.	Fig. No.	Ref. No.	Parts No.	Fig. No.	Ref. No.	Parts No.	Fig. No.	Ref. No.
105010-39140	11	1	119802-11270	4	7	121850-51960	19	3	129004-59810	15	35
105025-59580	16	11	119802-11280	4	8	123900-13630	6	3	129004-59820	15	39
114250-39450	10	28	119802-11870	4	56	124060-01050	1	5	129004-59830	15	43
114250-53080	15	5		19	5	124060-77680	15	55	129005-59830	11	6
114250-53120	15	10	119802-21202	9	5	124160-01751	2	14	129006-01520	2	12
114250-53130	15	11	119802-25051	7	10		4	42	129006-03120	4	46
114250-53140	15	12	119802-25070	7	14	124160-01910	1	7	129006-11350	4	43
114250-53210	15	13	119802-25100	7	11			8	129006-11700	4	15
114250-53400	15	14	119802-25901	7	17	124160-11360	4	53	129006-12060	5	1
119131-18320	6	4	119802-32070	2	8	124160-39140	11	2	129006-12100	5	2
119225-52102	16	13	119802-32100	2	7	124240-01871	2	15	129006-35100	10	11
119233-77932	14	104	119802-32111	2	18	124395-49840	12	17	129006-39450	11	3
119260-34810	10	5	119802-32120	2	19		19	15	129006-44480	10	16
119305-59120	15	26	119802-32130	2	20	124460-11340	4	31	129006-49040	10	21
119593-59580	15	54	119802-34850	10	2		19	4	129006-53001	15	2
119609-32040	2	17	119802-49113	12	10	124465-44950	12	32	129007-22080	9	17
	19	24	119802-49730	12	35		19	17	129007-22500	9	19
119620-01750	3	3	119802-51090	13	109	124722-59050	12	36	129007-22510	9	37
119620-77380	18	4	119802-51250	13	129			39	129007-22900	9	35
119620-77421	18	8	119802-51560	13	67		15	49	129009-51390	13	49
119620-77440	18	13	119802-51590	13	73			52	129030-44740	12	22
119620-77461	18	15	119802-51600	13	74	124766-59050	16	5	129044-39610	11	5 -1
119620-77471	18	16	119802-51680	13	78			9	129044-59010	16	4
119620-77480	18	20	119802-51690	13	79	128300-77920	18	39	129044-59100	16	6
119620-77490	18	29	119802-55700	16	14	129001-01250	1	6	129100-01580	3	1
119620-79200	18	9	119802-55710	16	15	129001-02930	1	25			15
119620-79210	18	10	119802-55730	16	19	129001-12110	5	4		9	2
119620-79220	18	11	119802-55800	16	2		19	22	129100-01640	3	16
119620-79230	18	12	119802-59550	15	48	129001-32330	2	11	129100-01730	3	6
119620-79240	18	5	119802-59560	15	50	129001-91841	2	22	129100-01760	3	8
119620-79250	18	6	119802-77330	18	1	129002-01331	1	33	129100-11130	4	27
119620-79260	18	18	119802-77340	18	34		19	2	129100-23910	9	29
119620-79270	18	19	119807-61420	14	22	129004-01190	1	31	129100-35301	10	4
119620-79280	18	21	119865-21600	9	16	129004-03010	4	44	129100-42051	12	3
119620-79290	18	22	119934-59910	13	126	129004-11101	4	26	129100-42121	12	4
119620-79300	18	23	119940-77270	18	33	129004-11241	4	3	129100-55690	16	16
119620-79310	18	24	120130-11860	4	22	129004-11251	4	4	129100-77500	5	9
119620-79320	18	25	120270-54410	4	37	129004-11310	4	49	129100-77510	5	10
119620-79330	18	26	121023-01550	2	27		19	7		19	27
119620-79340	18	27	121111-21501	9	12	129004-11650	4	10	129103-49301	10	26
119620-79350	18	28	121250-44901	12	43	129004-11900	4	36	129122-44480	2	32
119620-79360	18	7	121267-44760	12	23	129004-21002	9	1	129128-21590	9	13
119625-11880	4	35	121400-11340	4	30	129004-21650	9	9	129129-14580	7	3
	19	6		19	10	129004-42001	12	1	129136-77011	17	1
119640-01640	3	9	121450-42450	12	31	129004-42040	12	15	129136-77310	17	2
119643-66900	18	35	121550-23200	9	30	129004-49610	12	33	129136-77520	17	14
119650-77910	18	36	121750-59890	16	12	129004-49620	12	37	129139-13100	6	1
119660-61901	14	66	121850-21680	9	11	129004-49711	12	34	129139-39601	11	4
119802-01560	2	13	121850-42410	12	8	129004-49721	12	38	129139-39610	11	4 -1
119802-11260	4	6	121850-51960	2	21	129004-55610	16	1	129150-01200	1	32

Parts No. Index

Parts No.	Fig. No.	Ref. No.
129150-02020	1	10
129150-02450	7	4
129150-02870	1	34
129150-02930	1	28
129150-02940	1	37
129150-03070	4	45
129150-03090	4	58
129150-11230	4	11
129150-11280	4	9
129150-11370	4	14
129150-11750	4	13
129150-11810	4	24
129150-13110	6	2
	19	9
	7	7
129150-14101	7	1
129150-14200	7	2
129150-14400	7	2
129150-23600	9	31
129150-23610	9	33
129150-25301	7	16
129150-35042	10	3
	19	11
	10	14
129150-35111	19	23
	10	15
129150-35170	12	26
129150-49811	19	14
	15	30
129150-59120	15	29
129150-59131		33
	5	11
	19	8
129150-77511	12	25
	14	5
129155-49801	14	24
129155-51280	5	12
129155-61460	9	23
129165-77520	18	40
129202-22300	18	14
129211-77920	16	14 -1
129240-79300	16	19 -1
129242-55700	16	15 -1
129242-55720	16	20
129242-55730	16	21
129242-55740	16	22
129242-55750	16	23
129242-55760	14	21
129242-55770	8	1
129255-61410	12	27
129266-18010	17	12
129350-49530		
129400-77490		

Parts No.	Fig. No.	Ref. No.
129400-77571	17	18
129400-92420	19	33
129403-18091	8	2
	19	28
129403-39610	11	5
129403-42380	12	42
129417-33110	10	10
129417-35150	10	13
129418-18320	8	4
129418-32320	2	10
129423-77200	18	2
129423-77710	18	17
129486-01670	3	19
129486-42021	12	14
	19	12
	12	16
129486-42140	19	21
	15	51
129486-59551	10	9
129508-33010	10	17
129508-49030	8	3
129535-18100	19	29
	10	35
129553-39650	10	1
129601-34801	3	2
129612-01600	10	22
129642-49180	10	29
129792-39410	3	18
129795-01780	2	6
129795-01800	18	30
129795-01900	2	16
129795-01950	1	13
129795-02411	4	28
129795-11120	4	29
129795-11180	9	10
129795-21661	12	28
129795-49551	19	13
	4	1
129900-07900	2	9
129900-32130	17	3
129900-77400	17	6
129900-77440	17	7
129900-77450		11
	17	9
129900-77460	17	10
129900-77480	17	19
129900-77640	12	13
129916-49740	16	8
129950-59311	16	10
129961-59110	7	18
158552-51151		

Parts No.	Fig. No.	Ref. No.
158552-51570	13	68
		69
158552-51580	13	72
158552-51600	13	83
158552-51670	13	4
158552-51780	13	91
158552-52100	13	98
158552-52310	13	99
158552-52400	13	114
158552-61441	14	23
158552-61900	14	89 -1
158553-51551	13	65
158553-51630	13	84
158553-51640	13	86
158553-51660	13	88
158553-51670	13	77
158553-51680	13	89
158553-51770	13	118
158553-61050	14	3
158557-51570	13	70
158563-51281	13	47
		48
158563-51330	13	57
158563-61060	14	1
158600-51270	13	46
158601-51550	13	66
158601-51570	13	71
158601-51650	13	87
158601-51770	13	90
158601-51790	13	92
171002-66830	14	67
		138
171008-03990	10	18
171008-77450	17	8
171008-77510	17	13
171008-77540	17	15
171008-77650	17	20
171008-77660	17	24
171008-77670	17	25
171008-77750	17	31
171051-01921	1	9
171056-49120	12	20
22190-080002	11	7
		9
	19	16
22190-100002	11	10
	19	25
	14	70
22190-120000	13	100
		102

Parts No.	Fig. No.	Ref. No.
22190-120002	13	128
22190-180002	13	103
		104
22190-220002	3	11
22217-140000	7	19
	13	105
22252-000260	9	24
22312-050140	13	106
22351-030010	9	8
	10	36
22351-050010	13	107
22351-060012	4	38
22512-070140	7	8
	9	6
22857-500100	4	50
		51
23000-022000	11	11
23000-041000	5	5
23000-060000	5	6
23080-015000	10	20
		24
23080-018000	10	25
23414-080000	11	16
	12	30
	19	31
23857-030000	11	8
23876-010000	12	11
23876-020000	12	12
23876-030000	2	4
23876-040000	2	5
23887-120002	13	111
	14	72
24311-000070	13	113
24311-000120	4	54
	19	18
24311-000160	16	18
24311-000320	2	23
	4	55
	19	19
24311-240100	10	6
	19	32
24314-000160	11	12
	19	30
24321-000650	16	17
24321-000750	16	17 -1
24341-000240	2	28
	19	20
24341-000280	14	89
24341-000360	14	90
24341-000400	4	52

Parts No. Index

Parts No.	Fig. No.	Ref. No.
24341-000400	19	26
24356-010180	13	115
24356-010200	13	80
		116
24372-000150	13	81
25132-003800	12	21
26106-060102	13	117
	14	74
		91
26106-060142	14	92
26106-060162	2	29
	11	13
26106-060202	14	93
26106-060302	12	24
26106-060322	17	29
26106-060402	17	30
26106-080122	11	14
	12	40
26106-080142	7	9
26106-080162	2	24
		25
	3	12
	4	2
	10	7
	12	18
	13	130
26106-080202	5	7
	10	27
	13	131
26106-080222	12	29
26106-080252	3	13
	4	39
26106-080302	16	3
26106-080352	3	20
	4	40
	10	8
26106-080402	5	13
	7	15
26106-080452	3	14
		14 -1
	12	41
	18	32
26106-080502	3	22
	4	41
26106-080552	2	26
26106-080602	12	19
26106-080802	5	8
26116-060102	14	54
26116-120252	17	32
26206-100252	3	4

Parts No.	Fig. No.	Ref. No.
26206-100302	3	5
26306-080002	2	31
	8	5
26306-100002	18	31
26366-060002	11	15
26450-080452	13	123
26756-060002	14	75
26776-140002	7	20
	13	124
27241-120000	1	14
27241-300000	1	15
27241-400000	4	34
27310-080001	4	32
719802-01500	2	1
729006-01560	1	1
729044-51390	13	1
729044-53100	15	1
729246-92780	19	1
729402-23100	9	25
977770-01212	2	30
	3	21
	4	57
	19	34
X2114255110	17	5
X2114555500	17	21
X2114955020	17	22
X2130350900	17	4
X2240410100	17	23
X9490561001	18	3

Parts No.	Fig. No.	Ref. No.
-----------	----------	----------

Parts No.	Fig. No.	Ref. No.
-----------	----------	----------