

OCR10-M61900EN

PREFACE

- 1.This Parts Catalog carries all parts incorporated in YANMAR Model 3TNV84-MU2 engine manufactured since July, 2005.
- 2.Each illustration corresponds to the parts list on the following page.
- 3.When ordering parts,clearly write down the engine model and serial number,as well as the name and number of each part in your order sheet. This will help insure reliable delivery of the parts you have ordered.

Directions for the Parts Catalog.

1. This Parts Catalog shows both standard and optional parts.
2. Parts may change without prior notice.
3. The following is an example of the Parts Catalog format.

REF.	LEV.	PARTS NO.	DESCRIPTION	Q'TY						I	R
				(A)	(B)	(C)	(D)	(E)	(F)		
1	1	729595-51390	FUEL INJECTION PUMP	1	1	1	1	1			1
1-1	1	729595-51391	FUEL INJECTION PUMP	1	1	1	1	1		N	1
		(A=E00185) (B=E00200)									
3	2	26022-060162	SCREW M 6X 16	9	9	9	9	9			
3-1	2	26022-060162	SCREW M 6X 16	4	4	4	4	4		K	
		(A=E00156) (B=E00156) (C=E00156) (D=E00156) (E=E00156)									
4	2	129470-51040	CAMSHAFT	1	1	1	1	1			
5	2	122710-51050	BEARING, ROLLER	2	2	2	2	2			
6	2	129470-51060	RETAINER	1	1	1	1	1			

Remarks
(1) BOOST COMPEMSATOR TYPE. OPTIONAL PART, TO E00155,(4JH-DT, 4JH-DTZ

① Ref. No.

The Ref. No. listed may not be in accordance with the illustration Ref. No.

(Ex.) Illustration No.

List Ref No.

1 1 (Before change) → 1-1 (After change)

For interchangeable symbols N, R and K, illustrations for new parts may be abbreviated.

② Lev. (Level)

Level indication

The numbers below indicate the level of relativity towards the main part.

1 ---- Main parts (Assembly parts)

2 ---- Sub component included in " 1 ".

3 ---- Sub component included in " 2 ".

Note) Parts that are not for sale are partially illustrated but not listed.

③ Interchangeability Symbol

When a part change takes place, one of the following interchangeability symbols is indicated beside the part.

Symbol	Interchangeability	Contents note
N	Old $\begin{matrix} \leftarrow \text{Yes} \\ \text{No} \rightarrow \end{matrix}$ New	New Part is interchangeable for Old Part but Old Part is not interchangeable for New Part.
Q	Old $\begin{matrix} \leftarrow \text{No} \\ \text{Yes} \rightarrow \end{matrix}$ New	New Part is not interchangeable for Old Part but Old Part is interchangeable for New Part.
R	Old $\begin{matrix} \leftarrow \text{Yes} \\ \text{Yes} \rightarrow \end{matrix}$ New	New/ Old Parts are both interchangeable.
S	Old $\begin{matrix} \leftarrow \text{No} \\ \text{No} \rightarrow \end{matrix}$ New	New/ Old Parts are both not interchangeable.
W		Part newly added.
Z		Part discontinued.
F		Not interchangeable by a single part but interchangeable together with related parts.
K		Changes only for used parts quantities.

④ Effective Machine No.

When a part changes, the effective Machine No. will be indicated in the (A)-(F) column.

Product Symbol	Product No.	Product Symbol	Product No.
C	Clutch No. Compressor No.	F	Machine No. (Agricultural Equip.)
D	Drive No.	M	Machine No.
E	Engine No.		

Note 1) A date may follow the symbol. (Ex.) 1996.01

Note 2) "XXXXX" and "ZZZZZ" are for parts that could not be predicted or for engine models that could not be identified.

Note 3) (A=E00185) is the E (Engine Serial Number) for the column (A) model (in this case 4JH-DT) after the parts design change.

⑤ Remarks

Figures or alphabets (symbols) are entered in the remarks column.

The comments (remarks) on parts that are indicated at the bottom of the illustration are the same symbols as those stated above.

Contents

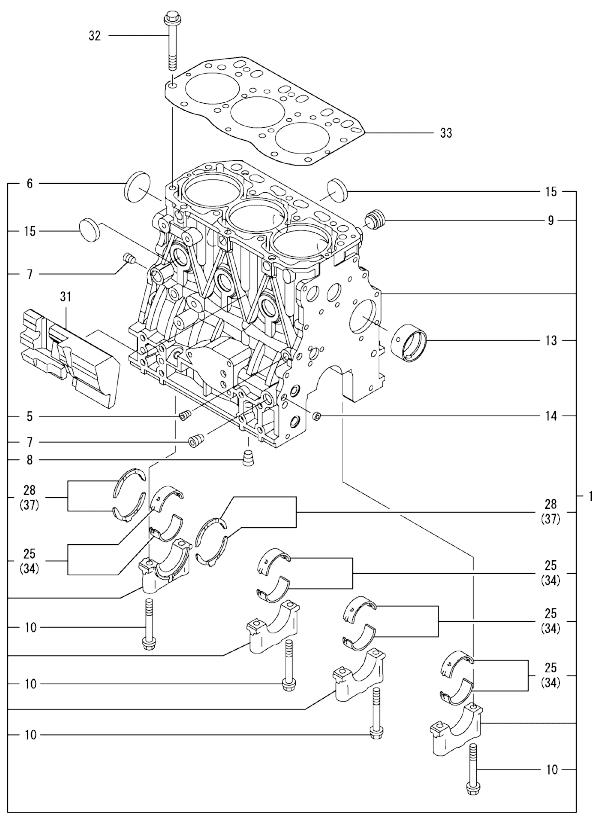
OCR10-M61900

Fig. No.	Fig. Name	Fig. No.	Fig. Name
ENGINE SECTION (3TNV84-MU2)			
1.	CYLINDER BLOCK		
2.	GEAR HOUSING		
3.	MOUNTING FLANGE & OIL SUMP		
4.	CYLINDER HEAD & BONNET		
5.	SUCTION MANIFOLD		
6.	EXHAUST MANIFOLD		
7.	CAMSHAFT & DRIVING GEAR		
8.	CRANKSHAFT & PISTON		
9.	HYDRAULIC PUMP		
10.	LUB.OIL SYSTEM		
11.	COOLING WATER SYSTEM		
12.	FUEL INJECTION PUMP		
13.	GOVERNOR		
14.	FUEL INJECTION VALVE		
15.	FUEL LINE		
16.	STARTING MOTOR		
17.	GENERATOR		
18.	GASKET SET		

Fig.1. CYLINDER BLOCK

(A)=3TNV84-MU2
(B)=
(C)=

(D)=
(E)=
(F)=

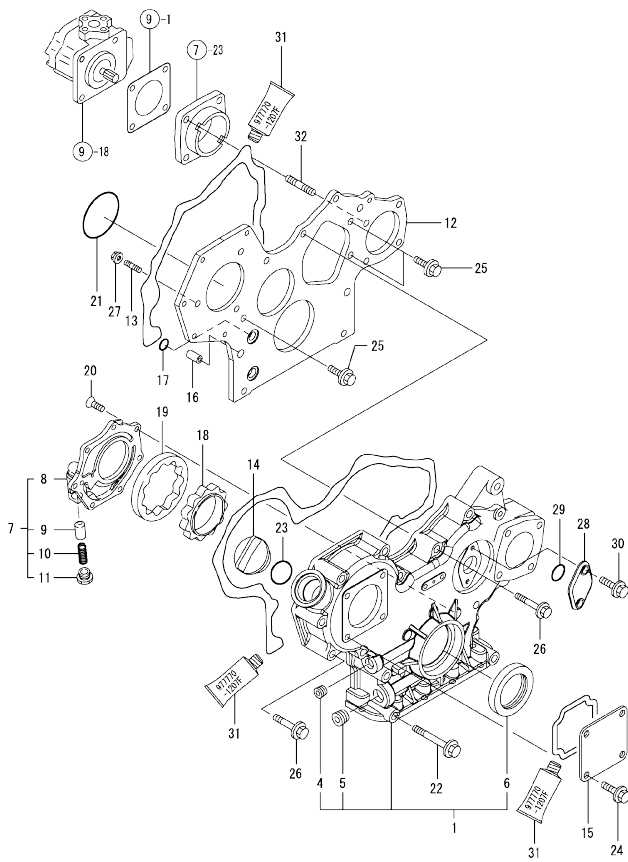


No.	Lev.	Parts No.	Description	Q'ty						I	R
				(A)	(B)	(C)	(D)	(E)	(F)		
1	1	729004-01560	BLOCK ASSY, CYLINDER	1							
5	2	124060-01050	PLUG, PT1/8	1							
6	2	129001-01250	PLUG, 50	1							
7	2	124160-01910	PLUG, PT1/4	2							
8	2	124160-01910	PLUG, PT1/4	1							
9	2	171051-01921	PLUG, NPTF1	1							
10	2	129150-02020	BOLT, METAL CAP	8							
13	2	129795-02411	BUSH, CAMSHAFT	1							
14	2	27241-120000	PLUG, 12	2							
15	2	27241-300000	PLUG 30	6							
25	2	129001-02930	BEARING, MAIN	4							3
28	2	129150-02930	BEARING, THRUST	2							
31	1	129004-01190	SPACER	1							
32	1	129150-01200	BOLT, HEAD	14							
33	1	129002-01331	GASKET, HEAD	1							
34	1	129150-02870	BEARING, 0.25 US	4							1
37	1	129150-02940	BEARING, THRUST 0.25	1							2

Remarks

- (1) UNDER-SIZE(U.S=0.25)PART.
- (2) OVER-SIZE(O.S=0.25)PART.
- (3) REPAIR PART.

Fig.2. GEAR HOUSING



(A)=3TNV84-MU2
(B)=
(C)=

(D)=
(E)=
(F)=

No.	Lev.	Parts No.	Description	Qty						I	R
				(A)	(B)	(C)	(D)	(E)	(F)		
1	1	729004-01500	CASE ASSY, GEAR	1							
4	2	23876-030000	PLUG, R03	1							
5	2	23876-040000	PLUG, R04	1							
6	2	129795-01800	SEAL, OIL	1							
7	1	119802-32100	COVER ASSY	1							
8	2	119802-32070	COVER	1							
9	2	129900-32130	VALVE, RELIEF	1							
10	2	129418-32320	SPRING	1							
11	2	129001-32330	PLUG	1							
12	1	129004-01520	FLANGE, GEAR CASE	1							
13	1	119802-01560	STUD, M8X25	3							
14	1	124160-01751	COVER, FILLER	1							
15	1	124240-01871	COVER	1							
16	1	129795-01950	PIPE, KNOCK L=18	2							
17	1	119609-32040	O-RING, P16	4							
18	1	119802-32111	ROTOR, INNER	1							
19	1	119802-32120	ROTOR, OUTER	1							
20	1	119802-32130	SCREW, M6X16	7							
21	1	121850-51960	O-RING	1							
22	1	129001-91841	BOLT, M8X85	3							
23	1	24311-000320	O-RING, 1AP32.0	1							
24	1	26106-080162	BOLT, M8X 16 PLATED	4							
25	1	26106-080162	BOLT, M8X 16 PLATED	3							
26	1	26106-080552	BOLT, M8X 55 PLATED	11							
27	1	26306-080002	NUT, M8	3							
28	1	121023-01550	COVER	1							
29	1	24341-000240	O-RING, 1AS24.0	1							
30	1	26106-060162	BOLT, M6X 16 PLATED	2							
31	1	977770-1207F	GASKET, LIQUID	1							1
32	1	129150-01580	STUD, M8X30	1							

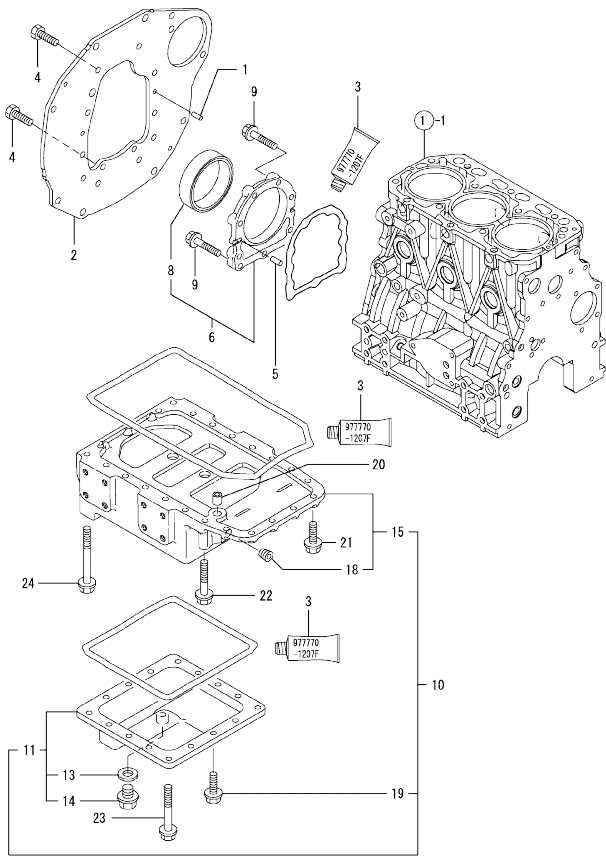
Remarks
(1) OPTIONAL PART.

N:Old $\frac{100}{100}$ New, Q:Old $\frac{100}{100}$ New, R:Old $\frac{100}{100}$ New, S:Old $\frac{100}{100}$ New, W:Add, Z:Discontinued, F:Interchangeable by set, K:Qty Change
Copyright (C) YANMAR CO., LTD. All Rights Reserved.

Fig.3. MOUNTING FLANGE & OIL SUMP

(A)=3TNV84-MU2
(B)=
(C)=

(D)=
(E)=
(F)=

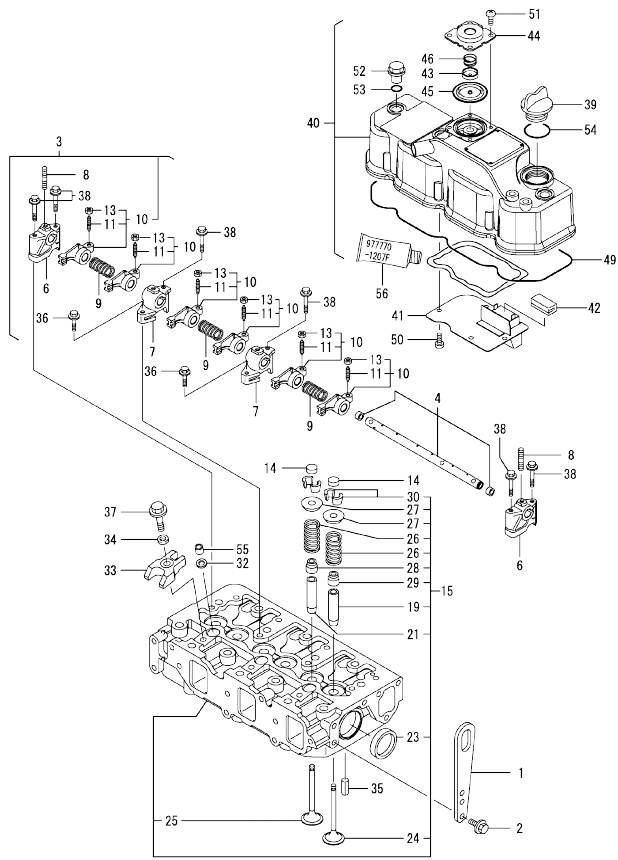


No.	Lev.	Parts No.	Description	Q'ty						I	R
				(A)	(B)	(C)	(D)	(E)	(F)		
1	1	129100-01580	PIN, M8X16	2							
2	1	129150-01600	FLANGE, MOUNTING	1							
3	1	977770-1207F	GASKET, LIQUID	1							1
4	1	26206-100202	BOLT, M10X 20 PLATED	8							
5	1	129100-01580	PIN, M8X16	2							
6	1	129100-01640	CASE ASSY, OIL SEAL	1							
8	2	129795-01780	SEAL, OIL	1							
9	1	129486-01670	BOLT, M8X30	9							
10	1	129052-01770	SUMP ASSY, OIL	1							
11	2	129052-01551	COVER ASSY, OIL SUMP	1							
13	3	22190-120002	WASHER, SEAL 12	1							
14	3	129054-01640	PLUG, DRAIN 12	1							
15	2	129052-01691	SUMP ASSY, OIL	1							
18	3	124160-01910	PLUG, PT 1/4	1							
19	2	26106-080122	BOLT, M8X 12 PLATED	6							
20	1	129555-01750	PIPE, KNOCK 14X18	1							
21	1	26106-080252	BOLT, M8X 25 PLATED	6							
22	1	26106-080502	BOLT, M8X 50 PLATED	2							
23	1	129001-91870	BOLT, M8X100	10							
24	1	129001-91910	BOLT, M8X120	4							

Remarks
(1) OPTIONAL PART.

N:Old $\frac{100}{100}$ New, Q:Old $\frac{100}{100}$ New, R:Old $\frac{100}{100}$ New, S:Old $\frac{100}{100}$ New, W:Add, Z:Discontinued, F:Interchangeable by set, K:Q'ty Change
Copyright (C) YANMAR CO., LTD. All Rights Reserved.

OCR10-M61900 ENGINE SECTION (3TNV84-MU2)
 Fig.4. CYLINDER HEAD & BONNET



OCR10-M61900 Fig.4

(A)=3TNV84-MU2
 (B)=
 (C)=

(D)=
 (E)=
 (F)=

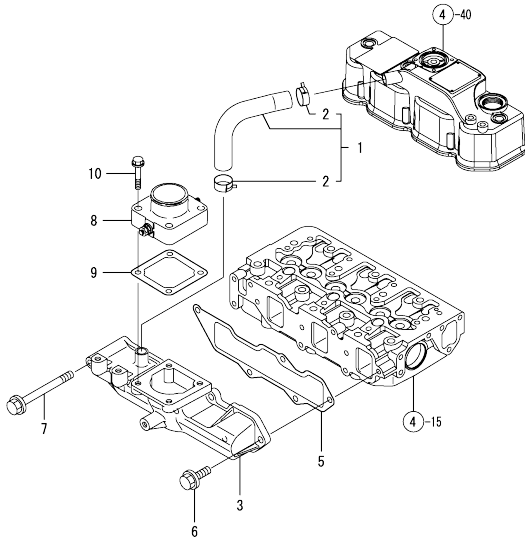
No.	Lev.	Parts No.	Description	Q'ty						I	R
				(A)	(B)	(C)	(D)	(E)	(F)		
1	1	129900-07900	LIFTER	1							
2	1	26106-080162	BOLT, M8X 16 PLATED	2							
3	1	129004-11241	SHAFT ASSY, ROCKER	1							
4	2	129004-11251	SHAFT, ROCKER ARM	1							
6	2	119802-11260	SUPPORT, ROCKER ARM	2							
7	2	119802-11270	SUPPORT, ROCKER ARM	2							
8	2	119802-11280	STUD	3							
9	2	129150-11280	SPRING	3							
10	2	129004-11650	ARM, ROCKER	6							
11	3	129150-11230	SCREW, VALVE ADJUST	6							
13	3	129150-11750	NUT, M8	6							
14	1	129150-11370	CAP, VALVE	6							
15	1	129004-11700	HEAD ASSY, CYLINDER	1							
19	2	120130-11860	GUIDE, VALVE	3							1
21	2	129150-11810	GUIDE, VALVE	3							1
23	2	27241-400000	PLUG, 40	2							
24	2	129004-11101	VALVE, INTAKE	3							
25	2	129100-11111	VALVE, EXHAUST	3							
26	2	129795-11120	SPRING, VALVE	6							
27	2	129795-11180	RETAINER, SPRING	6							
28	2	121400-11340	SEAL, VALVE STEM	3							
29	2	124460-11340	SEAL, VALVE STEM	3							
30	2	27310-080001	COTTER, 8	6							
32	1	119625-11880	SEAT, NOZZLE	3							
33	1	129004-11900	RETAINER, NOZZLE	3							
34	1	120270-54410	WASHER, INJECTOR	3							
35	1	22351-060012	PIN, SPRING 6.0X12	2							
36	1	26106-080252	BOLT, M8X 25 PLATED	2							
37	1	26106-080352	BOLT, M8X 35 PLATED	3							
38	1	26106-080502	BOLT, M8X 50 PLATED	6							
39	1	124160-01751	COVER, FILLER	1							
40	1	129004-11350	BONNET ASSY, HEAD	1							
41	2	129004-03010	PLATE	1							
42	2	129150-03070	BAFFLE, BREATHER	1							
43	2	119802-03110	PLATE	1							
44	2	119802-03121	COVER, DIAPHRAGM	1							
45	2	119802-03130	DIAPHRAGM	1							
46	2	119802-03141	SPRING, DIAPHRAGM	1							
49	2	129004-11310	GASKET, BONNET	1							
50	2	22857-500100	SCREW, 5X10	4							
51	2	22857-500100	SCREW, 5X10	4							
52	1	124160-11360	KNOB	3							
53	1	24311-000120	O-RING, 1AP12.0	3							
54	1	24311-000320	O-RING, 1AP32.0	1							
55	1	119802-11870	PROTECTOR, NOZZLE	3							
56	1	97770-1207F	GASKET, LIQUID	1							2

Remarks

- (1) REPAIR PART.
- (2) OPTIONAL PART.

N:Old $\frac{100}{100}$ New, Q:Old $\frac{100}{100}$ New, R:Old $\frac{100}{100}$ New, S:Old $\frac{100}{100}$ New, W:Add, Z:Discontinued, F:Interchangeable by set, K:Qty Change
 Copyright (C) YANMAR CO., LTD. All Rights Reserved.

Fig.5. SUCTION MANIFOLD



(A)=3TNV84-MU2
(B)=
(C)=

(D)=
(E)=
(F)=

No.	Lev.	Parts No.	Description	Q'ty					
				(A)	(B)	(C)	(D)	(E)	(F)
1	1	129005-03080	PIPE , BREATHER	1					
2	2	129410-03990	CLAMP 22	2					
3	1	129005-12100	MANIFOLD, AIR INTAKE	1					
5	1	129001-12110	GASKET, MANIFOLD	1					
6	1	26106-080202	BOLT, M8X 20 PLATED	4					
7	1	26106-080802	BOLT, M8X 80 PLATED	1					
8	1	129120-77501	HEATER	1					
9	1	129150-77511	GASKET	1					
10	1	26106-080352	BOLT, M8X 35 PLATED	4					

Fig.6. EXHAUST MANIFOLD

(A)=3TNV84-MU2
(B)=
(C)=

(D)=
(E)=
(F)=

No.	Lev.	Parts No.	Description	Q'ty					
				(A)	(B)	(C)	(D)	(E)	(F)
1	1	171350-13100	MANIFOLD, EXHAUST	1					
2	1	129150-13110	GASKET	1					
3	1	123900-13630	BOLT, M8X80	4					
4	1	119131-18320	STUD, M8X22	4					
5	1	123900-13610	STUD, M8X80	2					
6	1	26306-080002	NUT, M8	2					
7	1	129004-13200	GASKET, SILENCER	1					

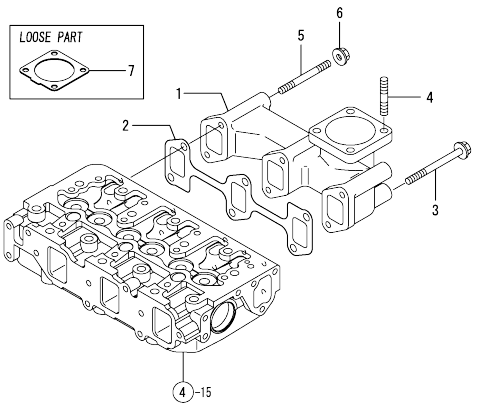
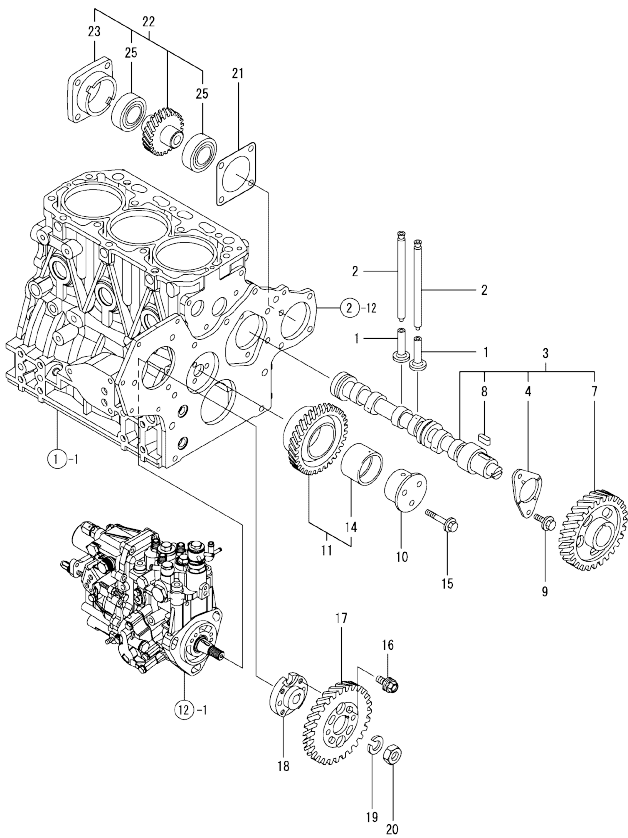


Fig.7. CAMSHAFT & DRIVING GEAR



(A)=3TNV84-MU2
(B)=
(C)=

(D)=
(E)=
(F)=

No.	Lev.	Parts No.	Description	Q'ty						I	R
				(A)	(B)	(C)	(D)	(E)	(F)		
1	1	129150-14200	TAPPET	6							
2	1	129150-14400	ROD, PUSH L=178	6							
3	1	129129-14580	CAMSHAFT ASSY	1							
4	2	129150-02450	BEARING, THRUST	1							
7	2	129150-14101	GEAR, CAMSHAFT	1							
8	2	22512-070140	KEY, 7X 14	1							
9	1	26106-080142	BOLT, M8X 14 PLATED	2							
10	1	119802-25051	SHAFT, IDLE	1							
11	1	119802-25100	GEAR ASSY, IDLE	1							
14	2	119802-25070	BUSH, IDLE GEAR	1							1
15	1	26106-080402	BOLT, M8X 40 PLATED	3							
16	1	129150-25301	BOLT	4							
17	1	119802-25901	GEAR, PUMP	1							
18	1	158552-51151	FLANGE	1							
19	1	22217-140000	WASHER, SPRING 14	1							
20	1	26776-140002	NUT, LOCK M14	1							
21	1	129150-01881	GASKET	1							
22	1	129150-26000	DRIVE ASSY, PUMP	1							
23	2	129150-26050	BRACKET, PUMP	1							
25	2	24105-060064	BEARING, BALL 6006Z	2							

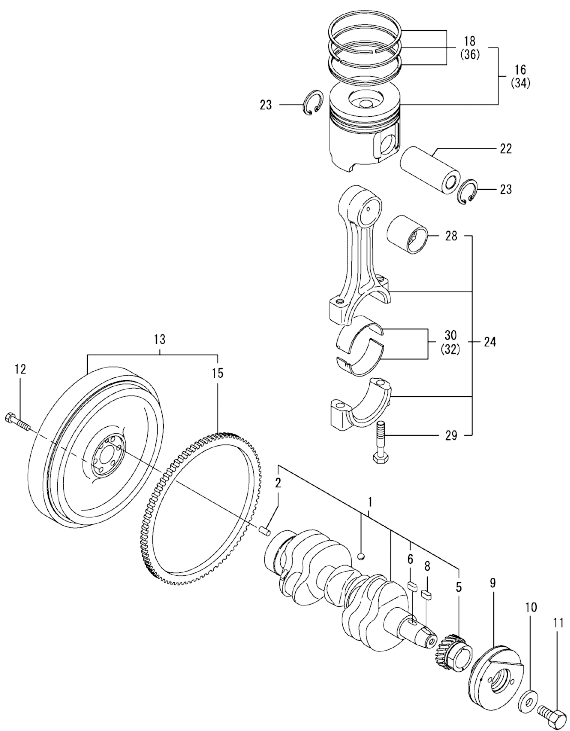
Remarks
(1) REPAIR PART.

N:Old $\frac{100}{100}$ New, Q:Old $\frac{100}{100}$ New, R:Old $\frac{100}{100}$ New, S:Old $\frac{100}{100}$ New, W:Add, Z:Discontinued, F:Interchangeable by set, K:Qty Change
Copyright (C) YANMAR CO., LTD. All Rights Reserved.

Fig.8. CRANKSHAFT & PISTON

(A)=3TNV84-MU2
(B)=
(C)=

(D)=
(E)=
(F)=

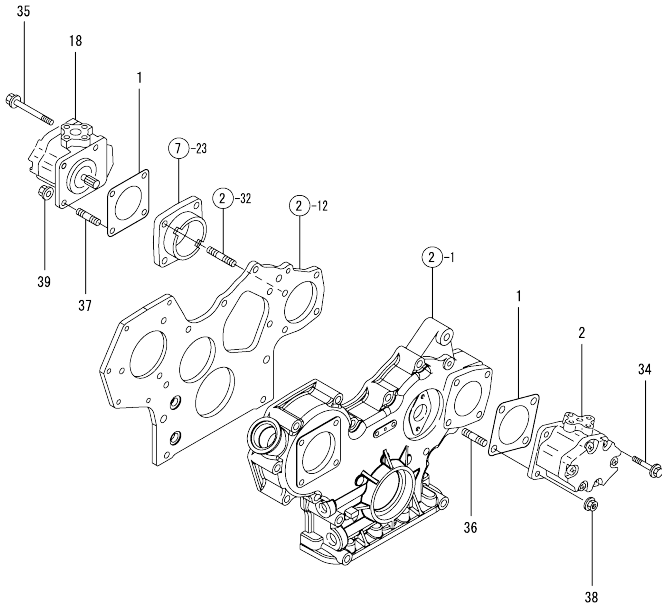


No.	Lev.	Parts No.	Description	Q'ty						I	R
				(A)	(B)	(C)	(D)	(E)	(F)		
1	1	129004-21002	CRANKSHAFT ASSY	1							
2	2	129100-01580	PIN, M8X16	1							
5	2	119802-21202	GEAR, CRANKSHAFT	1							
6	2	22512-070140	KEY, 7X 14	1							
8	1	22512-070140	KEY, 7X 14	1							
9	1	129055-21650	V-PULLEY, 120	1							
10	1	129795-21661	WASHER	1							
11	1	121850-21680	BOLT	1							
12	1	121111-21501	BOLT, FLYWHEEL	6							
13	1	129054-21591	FLYWHEEL ASSY	1							
15	2	124550-21600	GEAR, RING	1							
16	1	129004-22080	PISTON ASSY	3							
18	2	129004-22500	RING SET, PISTON	3							
22	1	129202-22300	PIN, PISTON D26 L70	3							
23	1	22252-000260	RING, 26	6							
24	1	729402-23100	ROD ASSY, CONNECTING	3							
28	2	129100-23910	BEARING, PISTON PIN	3							1
29	2	121550-23200	BOLT, CONNECTING ROD	6							
30	2	129150-23600	BEARING, CRANK PIN	3							
32	1	129150-23610	BEARING, 0.25 US	3							2
34	1	129004-22900	PISTON ASSY, 0.25 OS	3							3
36	2	129004-22950	RING SET, 0.25 OS	3							3

Remarks

- (1) REPAIR PART.
- (2) UNDER-SIZE(U.S=0.25)PART.
- (3) OVER-SIZE(O.S=0.25)PART.

Fig.9. HYDRAULIC PUMP

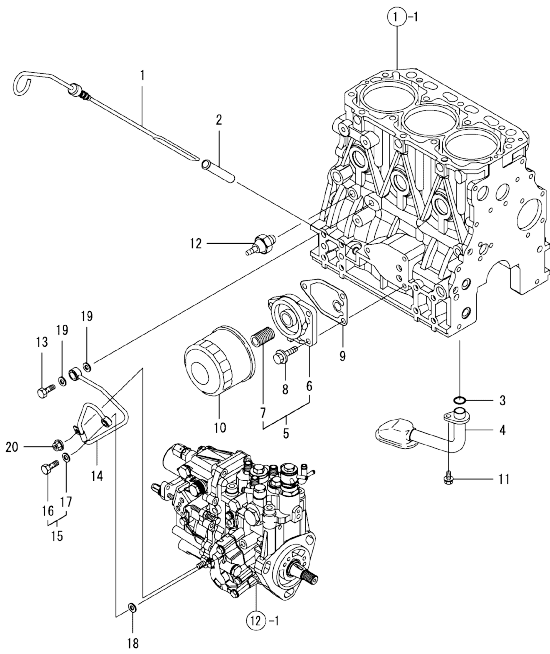


(A)=3TNV84-MU2
(B)=
(C)=

(D)=
(E)=
(F)=

No.	Lev.	Parts No.	Description	Q'ty					
				(A)	(B)	(C)	(D)	(E)	(F)
1	1	124240-01883	GASKET	2					
2	1	198072-41110	PUMP, HYDRAULIC	1					
18	1	198072-41120	PUMP, HYDRAULIC	1					
34	1	26106-080802	BOLT, M8X 80 PLATED	2					
35	1	26106-080952	BOLT, M8X 95 PLATED	2					
36	1	26216-080222	STUD, M8X 22	2					
37	1	26216-080402	STUD, M8X 40	2					
38	1	26306-080002	NUT, M8	2					
39	1	26306-080002	NUT, M8	1					

Fig.10. LUB.OIL SYSTEM



(A)=3TNV84-MU2
(B)=
(C)=

(D)=
(E)=
(F)=

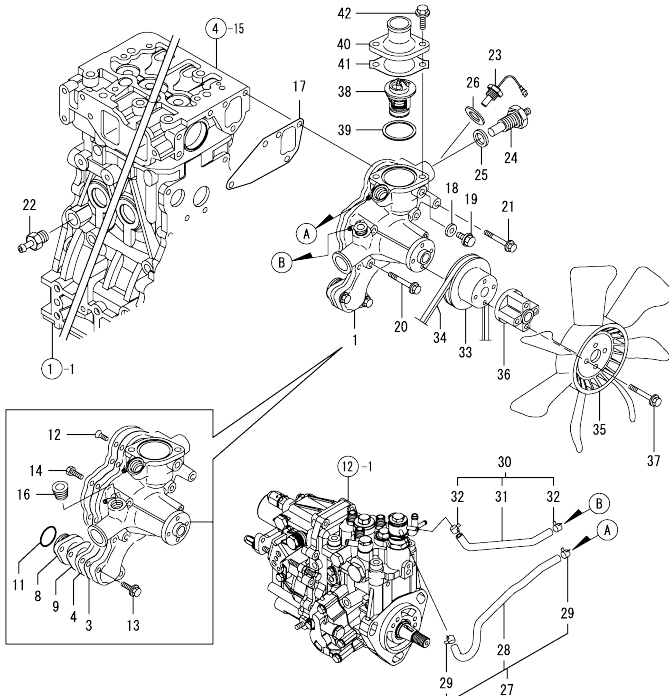
No.	Lev.	Parts No.	Description	Q'ty						I	R
				(A)	(B)	(C)	(D)	(E)	(F)		
1	1	129263-34811	DIPSTICK, OIL	1							
2	1	121520-34810	GUIDE, DIPSTICK	1							
3	1	24311-000160	O-RING, 1AP16.0	1							
4	1	129052-35090	PIPE ASSY, OIL INLET	1							
5	1	119802-35100	BRACKET ASSY, FILTER	1							
6	2	119802-35110	BRACKET, FILTER	1							
7	2	129100-35140	STUD	1							
8	1	26106-080202	BOLT, M8X 20 PLATED	3							
9	1	129150-35111	GASKET	1							
10	1	129150-35170	FILTER,LO	1							1
11	1	26106-060122	BOLT, M6X 12 PLATED	1							
12	1	114250-39450	SWITCH, 0.5KG	1							
13	1	124160-39140	BOLT, PIPE JOINT M10	1							
14	1	119802-39450	PIPE ASSY, OIL	1							
15	1	129005-59830	BOLT ASSY, JOINT M8	1							
16	2	23857-030000	BOLT, JOINT 3	1							
17	2	22190-080002	WASHER, SEAL 6	1							
18	1	22190-080002	WASHER, SEAL 6	1							
19	1	22190-100002	WASHER, SEAL 10	2							
20	1	26366-060002	NUT, M6	1							

Remarks
(1) REPAIR PART.

N:Old $\frac{100}{100}$ New, Q:Old $\frac{100}{100}$ New, R:Old $\frac{100}{100}$ New, S:Old $\frac{100}{100}$ New, W:Add, Z:Discontinued, F:Interchangeable by set, K:Q'ty Change
Copyright (C) YANMAR CO., LTD. All Rights Reserved.

OCR10-M61900 ENGINE SECTION (3TNV84-MU2)
 Fig.11. COOLING WATER SYSTEM

OCR10-M61900 Fig.11



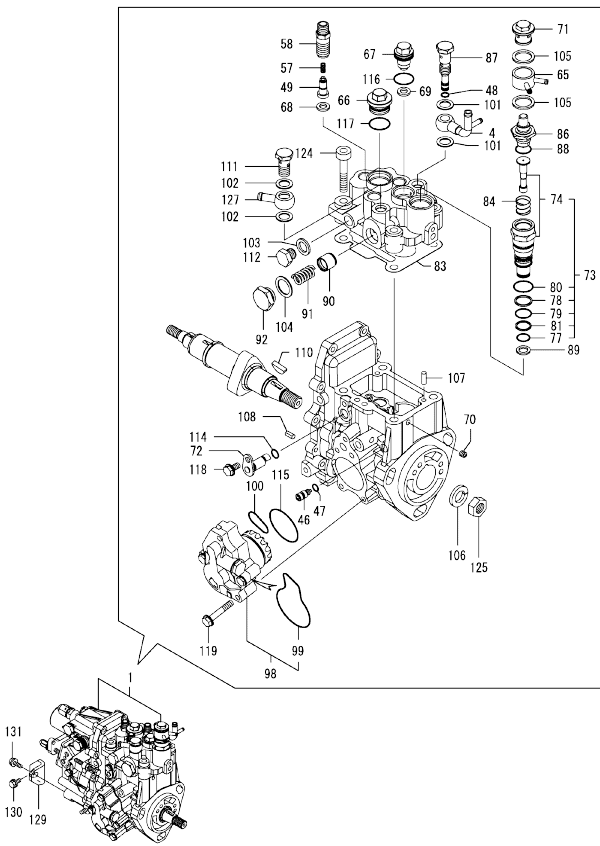
(A)=3TNV84-MU2
 (B)=
 (C)=

(D)=
 (E)=
 (F)=

No.	Lev.	Parts No.	Description	Q'ty						I	R
				(A)	(B)	(C)	(D)	(E)	(F)		
1	1	129263-42000	PUMP ASSY, WATER	1							
3	2	129150-42059	GASKET	1							
4	2	129150-42129	PLATE	1							
8	2	129150-42300	FLANGE	1							
9	2	129150-42319	GASKET	1							
11	2	129054-42320	O-RING	1							
12	2	26577-060152	SCREW, M6X15	3							
13	2	26106-060202	BOLT, M6X 20 PLATED	2							
14	2	26116-060162	BOLT, M6X 16 PLATED	3							
16	2	129916-49740	PLUG, R03	2							
17	1	129486-42050	GASKET, WATER PUMP	1							
18	1	23414-080000	GASKET, 8X1.0	1							
19	1	26106-080122	BOLT, M8X 12 PLATED	1							
20	1	26106-080552	BOLT, M8X 55 PLATED	3							
21	1	26106-080602	BOLT, M8X 60 PLATED	1							
22	1	121550-49111	JOINT, PT1/4	1							
23	1	129107-44901	SENSOR	1							
24	1	124250-49351	SENSOR	1							
25	1	129150-49360	GASKET	1							
26	1	124465-44950	GASKET, 16	1							
27	1	129263-49610	PIPE, WATER	1							
28	2	129263-49710	PIPE, WATER	1							
29	2	124722-59050	CLIP, HOSE 9	2							
30	1	129263-49620	PIPE, WATER	1							
31	2	129263-49720	PIPE, WATER	1							
32	2	124722-59050	CLIP, HOSE 9	2							
33	1	129550-42350	V-PULLEY, D=120	1							
34	1	129052-42290	V-BELT, A40.5	1							
35	1	129655-44740	FAN, COOLING D380	1							
36	1	129030-44760	SPACER, FAN L38.5	1							
37	1	26106-060502	BOLT, M6X 50 PLATED	4							
38	1	129155-49801	THERMOSTAT, 71	1							
39	1	129150-49811	GASKET, THERMOSTAT	1							
40	1	129350-49530	COVER, THERMOSTAT	1							
41	1	129795-49551	GASKET	1							
42	1	26106-080222	BOLT, M8X 22 PLATED	2							

N:Old $\frac{100}{100}$ New, Q:Old $\frac{100}{100}$ New, R:Old $\frac{100}{100}$ New, S:Old $\frac{100}{100}$ New, W:Add, Z:Discontinued, F:Interchangeable by set, K:Q'ty Change
 Copyright (C) YANMAR CO., LTD. All Rights Reserved.

Fig.12. FUEL INJECTION PUMP



Remarks
 (1) GOVERNOR ASSY(FIG.13) IS
 INCORPORATED IN THIS FOP.CMP
 (REF.NO.1).

No.	Lev.	Parts No.	Description	Q'ty						I	R
				(A)	(B)	(C)	(D)	(E)	(F)		
1	1	729263-51390	PUMP ASSY, INJECTION	1							1
4	2	158552-51670	JOINT, OVER FLOW	1							
46	2	158600-51270	STOPPER, TAPPET	1							
47	2	158563-51281	O-RING, 4D S6	1							
48	2	158563-51281	O-RING, 4D S6	1							
49	2	158560-51300	VALVE ASSY, DELIVERY	3							
57	2	158563-51330	SPRING, DELIVERY	3							
58	2	158601-51340	HOLDER, DELIVERY	3							
65	2	158553-51551	JOINT	1							
66	2	158601-51550	PLUG	1							
67	2	119802-51560	PLUG, BARREL	1							
68	2	158552-51570	GASKET	3							
69	2	158552-51570	GASKET	1							
70	2	158557-51570	PLUG	1							
71	2	158601-51570	PLUG	1							
72	2	158552-51580	LIFTER	1							
73	2	119802-51590	TIMER SET	1							
74	3	119802-51600	TIMER ASSY	1							
77	3	158553-51670	O-RING, 1011	1							
78	3	119802-51680	RING, BACK UP	1							
79	3	119802-51690	O-RING	1							
80	3	24356-010200	O-RING, 4D1020	1							
81	3	24372-000150	RING, BACK UP T2P15	1							
83	2	158552-51600	GASKET	1							
84	2	158553-51630	SPRING, TIMER	1							
86	2	158553-51640	ELEMENT	1							
87	2	158601-51650	JOINT, OVER FLOW	1							
88	2	158553-51660	O-RING, P14	1							
89	2	158553-51680	GASKET	1							
90	2	158601-51770	PISTON	1							
91	2	158552-51780	SPRING	1							
92	2	158601-51790	PLUG	1							
98	2	158552-52100	PUMP ASSY, FUEL FEED	1							
99	3	158552-52500	O-RING	1							
100	2	158552-52310	O-RING	1							
101	2	22190-120002	WASHER, SEAL 12	2							
102	2	22190-120002	WASHER, SEAL 12	2							
103	2	22190-120002	WASHER, SEAL 12	1							
104	2	22190-180002	WASHER, SEAL 18	1							
105	2	22190-180002	WASHER, SEAL 18	2							
106	2	22217-140000	WASHER, SPRING 14	1							
107	2	22312-050140	PIN, PARALLEL M5X14	2							
108	2	22351-050010	PIN, SPRING 5.0X10	2							
110	2	119802-51090	KEY, 4X16	1							
111	2	23857-060000	BOLT, JOINT 6	1							
112	2	23887-120002	PLUG, 12	1							
114	2	24311-000070	O-RING, 1AP7.0	1							
115	2	158552-52400	O-RING, 4E S42	1							
116	2	24356-010180	O-RING, 4D1018	1							
117	2	24356-010200	O-RING, 4D1020	1							
118	2	26106-060102	BOLT, M6X 10 PLATED	1							

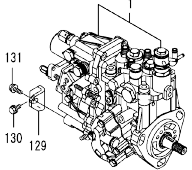
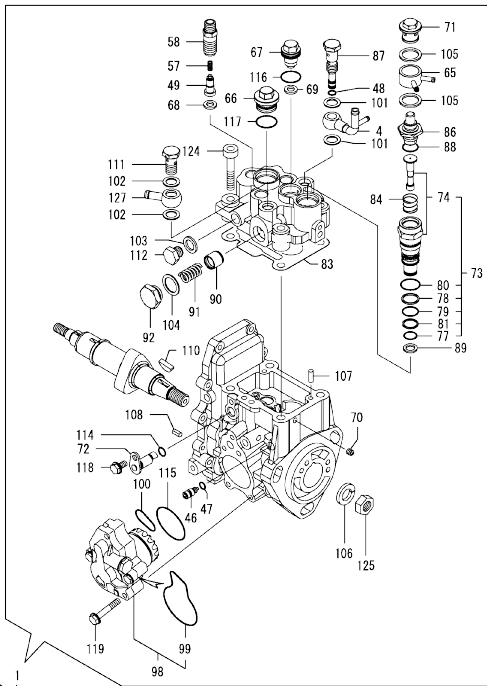
N:Old $\frac{New}{Old}$ New, Q:Old $\frac{New}{Old}$ New, R:Old $\frac{New}{Old}$ New, S:Old $\frac{New}{Old}$ New, W:Add, Z:Discontinued, F:Interchangeable by set, K:Q'ty Change
 ++ CONTINUE ++
 Copyright (C) YANMAR CO., LTD. All Rights Reserved.

Fig.12. FUEL INJECTION PUMP

(A)=3TNV84-MU2
(B)=
(C)=

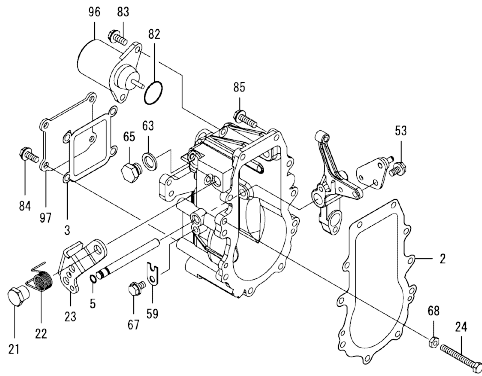
(D)=
(E)=
(F)=

No.	Lev.	Parts No.	Description	Q'ty						I	R
				(A)	(B)	(C)	(D)	(E)	(F)		
119	2	158553-51770	BOLT	4							
124	2	26450-080452	BOLT, M8X 45	4							
125	2	26776-140002	NUT, LOCK M14	1							
127	2	129916-59020	JOINT, PIPE 12	1							
129	1	119802-51250	RETAINER, PUMP	1							
130	1	26106-080162	BOLT, M8X 16 PLATED	1							
131	1	26106-080202	BOLT, M8X 20 PLATED	1							



Remarks
(1) GOVERNOR ASSY(FIG.13) IS
INCORPORATED IN THIS FOP.CMP
(REF.NO.1).

Fig.13. GOVERNOR



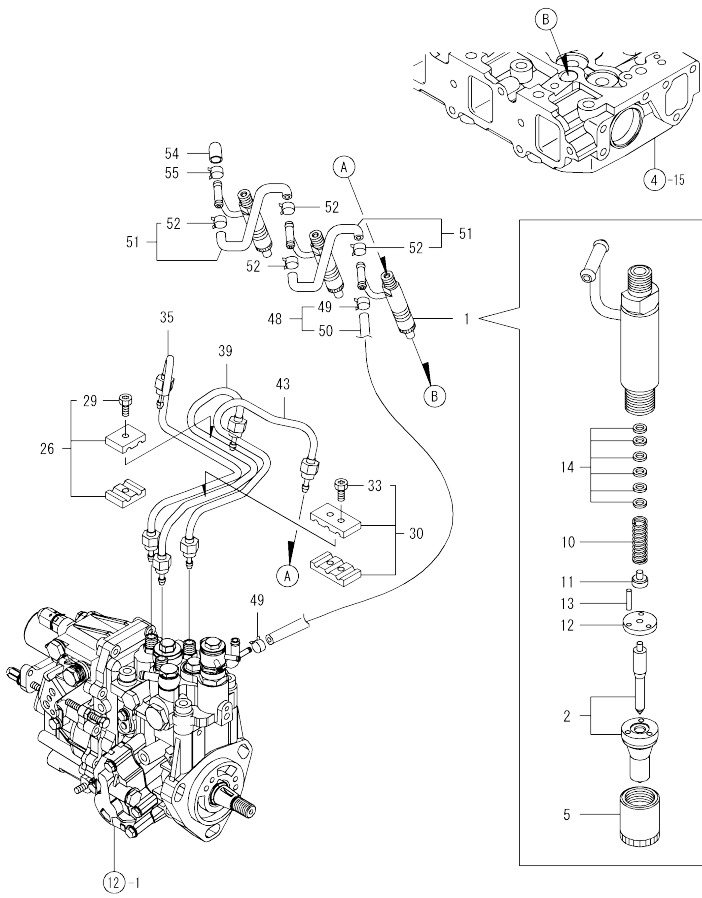
(A)=3TNV84-MU2
(B)=
(C)=

(D)=
(E)=
(F)=

No.	Lev.	Parts No.	Description	Q'ty						I	R
				(A)	(B)	(C)	(D)	(E)	(F)		
2	2	158553-61050	GASKET	1							
3	2	158553-61070	GASKET	1							
5	2	129155-51280	O-RING, S6	1							
21	2	129255-61410	NUT, LOCK	1							
22	2	119807-61420	SPRING, RETURN	1							
23	2	158552-61441	LEVER, REGULATOR	1							
24	2	129155-61460	BOLT, IDLE	1							
53	2	26106-060102	BOLT, M6X 10 PLATED	1							
59	2	119660-61901	RETAINER, SHAFT	1							
63	2	22190-120000	WASHER, SEAL 12	1							
65	2	23887-120002	PLUG, 12	1							
67	2	26106-060102	BOLT, M6X 10 PLATED	1							
68	2	26756-060002	NUT, LOCK M6	1							
82	2	24341-000280	O-RING, 1AS28.0	1							
82-1	2	158552-61900	O-RING	1							N
(A=EXXXXX)											
83	2	26106-060142	BOLT, M6X 14 PLATED	2							
84	2	26106-060142	BOLT, M6X 14 PLATED	4							
85	2	26106-060202	BOLT, M6X 20 PLATED	10							
96	2	119233-77932	SOLENOID, STOP	1							
97	2	129642-61060	COVER, GOVERNOR CASE	1							

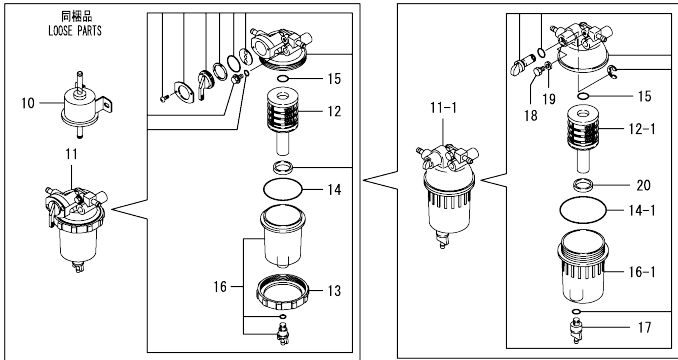
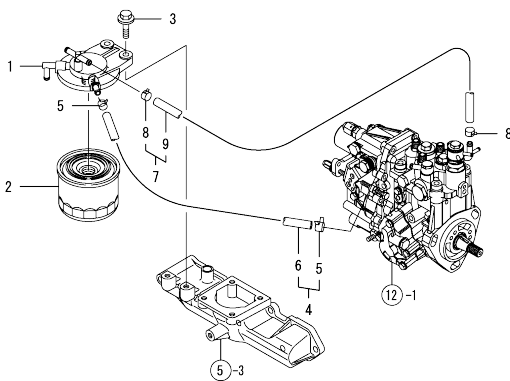
Remarks
* THIS FIGURE(GOVERNOR ASSY)IS
INCORPORATED IN THE FUEL INJECTION
PUMP ASSY(FIG.12).

Fig.14. FUEL INJECTION VALVE



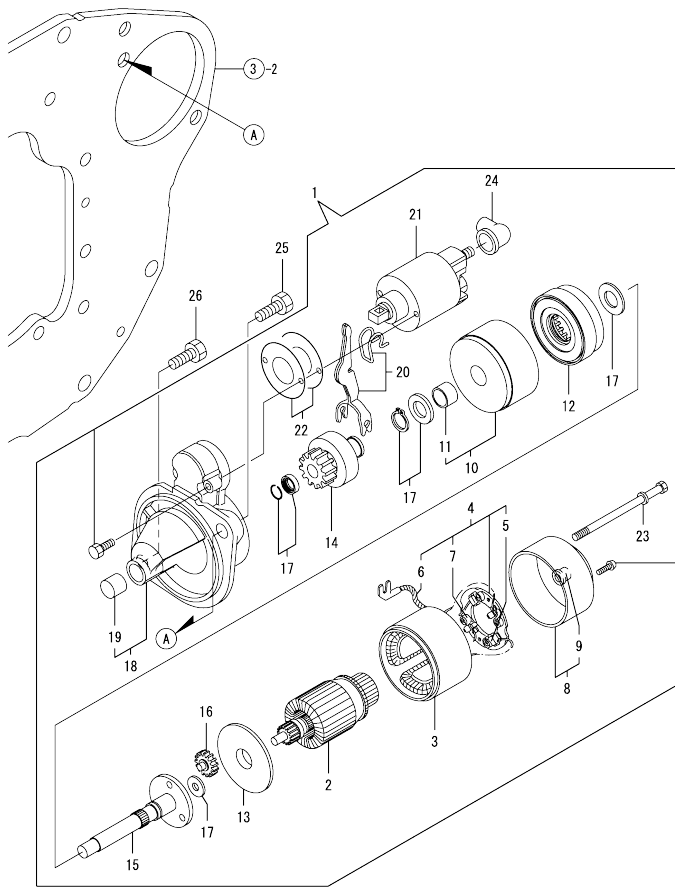
No.	Lev.	Parts No.	Description	Q'ty						I	R
				(A)	(B)	(C)	(D)	(E)	(F)		
1	1	729234-53101	VALVE ASSY, INJECTION	3							
2	2	129234-53001	VALVE ASSY, INJECTION	3							
5	2	114250-53080	NUT, NOZZLE D16.95	3							
10	2	114250-53120	SPRING, NOZZLE	3							
11	2	114250-53130	SEAT, SPRING	3							
12	2	114250-53140	PLATE	3							
13	2	114250-53210	PIN	6							
14	2	114250-53400	SHIM SET	3							
26	1	119305-59120	RETAINER, PIPE	1							
29	2	129150-59131	BOLT, M4X14	1							
30	1	129150-59120	RETAINER, PIPE	1							
33	2	129150-59131	BOLT, M4X14	2							
35	1	129004-59810	PIPE ASSY, INJECTION	1							
39	1	129004-59820	PIPE ASSY, INJECTION	1							
43	1	129004-59830	PIPE ASSY, INJECTION	1							
48	1	119802-59550	PIPE ASSY, RETURN	1							
49	2	124722-59050	CLIP, HOSE 9	2							
50	2	119802-59560	PIPE, FUEL RETURN	1							
51	1	129486-59551	PIPE ASSY, RETURN	2							
52	2	124722-59050	CLIP, HOSE 9	4							
54	1	119593-59580	CAP	1							
55	1	124060-77680	CLIP, HOSE 10	1							

Fig.15. FUEL LINE



No.	Lev.	Parts No.	Description	Q'ty						I	R
				(A)	(B)	(C)	(D)	(E)	(F)		
1	1	129004-55611	BRACKET, FILTER	1							
2	1	119802-55800	FILTER, FUEL	1							
3	1	26106-080302	BOLT, M8X 30 PLATED	2							
4	1	129210-59100	PIPE ASSY, FUEL	1							
5	2	124766-59050	CLIP, HOSE 12	2							
6	2	105025-59580	PIPE, FUEL	1							
7	1	129210-59230	PIPE ASSY, FUEL	1							
8	2	124766-59050	CLIP, HOSE 12	2							
9	2	129555-59511	PIPE, FUEL	1							
10	1	119225-52102	PUMP ASSY, FUEL FEED	1							
11	1	119802-55700	SEPARATOR ASSY	1							
11-1	1	129242-55700	SEPARATOR ASSY	1							N
(A=2008.08.)											
12	2	119802-55710	ELEMENT	1							
12-1	2	129242-55730	ELEMENT	1							S
(A=2008.08.)											
13	2	129100-55690	RING, RETAINING	1							Z
(A=2008.08.)											
14	2	24321-000650	O-RING, 1AG65.0	1							
14-1	2	24321-000750	O-RING, 1AG75.0	1							S
(A=2008.08.)											
15	2	24311-000160	O-RING, 1AP16.0	1							
16	2	119802-55730	CUP ASSY	1							W
(A=FROM 1ST)											
16-1	2	129242-55720	CUP	1							S
(A=2008.08.)											
17	2	129242-55740	PLUG, DRAIN	1							W
(A=2008.08.)											
18	2	129242-55750	VALVE, AIR VENT	1							W
(A=2008.08.)											
19	2	129242-55760	GASKET	1							W
(A=2008.08.)											
20	2	129242-55770	FLOAT	1							W
(A=2008.08.)											

Fig.16. STARTING MOTOR

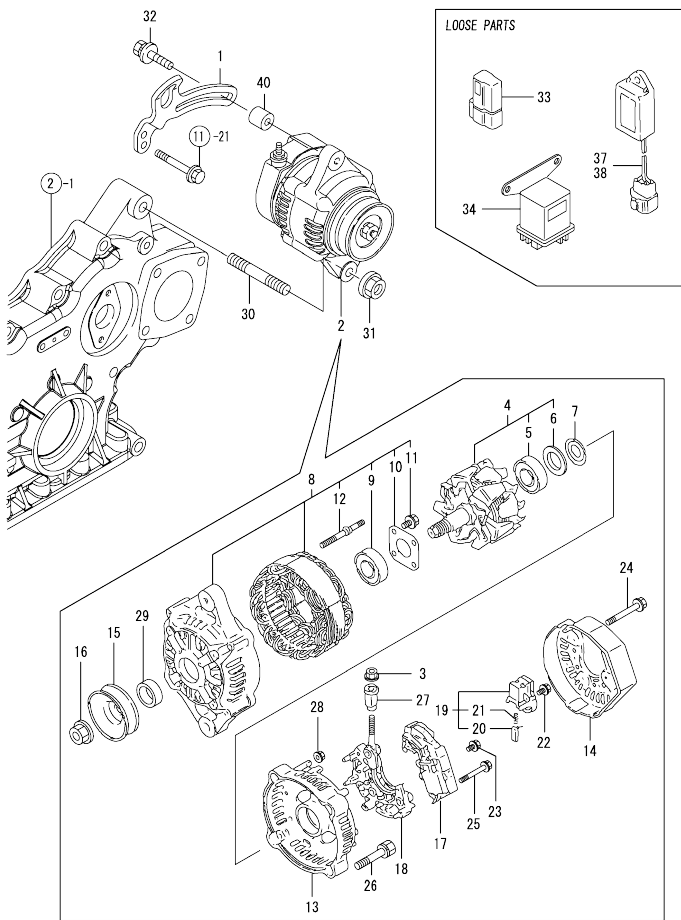


(A)=3TNV84-MU2
(B)=
(C)=

(D)=
(E)=
(F)=

No.	Lev.	Parts No.	Description	Q'ty						I	R
				(A)	(B)	(C)	(D)	(E)	(F)		
1	1	129052-77010	STARTER, CR1.2	1							
2	2	129698-77101	ARMATURE ASSY	1							
3	2	129698-77110	YOKE ASSY	1							
4	2	129698-77120	HOLDER ASSY, BRUSH	1							
5	3	129698-77130	BRUSH	2							
6	3	129698-77140	BRUSH SET	1							
7	3	129698-77150	SPRING, BRUSH	4							
8	2	129698-77161	COVER ASSY	1							
9	3	129698-77170	BEARING, COVER	1							
10	2	129698-77180	BRACKET, CENTER	1							
11	3	129698-77190	BRACKET, CENTER	1							
12	2	129698-77200	GEAR, INTERNAL	1							
13	2	129698-77210	BRACKET	1							
14	2	129698-77220	PINION ASSY	1							
15	2	129698-77230	SHAFT, PINION	1							
16	2	129698-77240	GEAR, PLANETARY	3							
17	2	129698-77250	WASHER SET	1							
18	2	129052-77030	HOUSING ASSY, GEARS	1							
19	3	X2114535200	BEARING, STARTER	1							
20	2	129698-77270	LEVER SET, SHIFT	1							
21	2	129052-77040	SWITCH ASSY, MAGNET	1							
22	2	129698-77280	COVER KIT, DUST	1							
23	2	124195-77770	BOLT, THROUGH	2							
24	2	X2114274200	COVER, TERMINAL	1							
25	1	129155-77060	BOLT	1							
26	1	26116-120202	BOLT, M12X 20 PLATED	1							

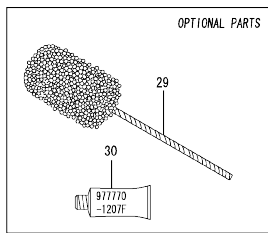
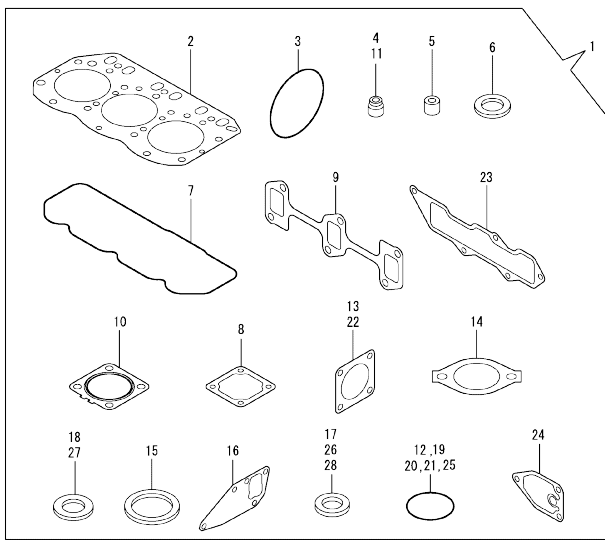
Fig.17. GENERATOR



No.	Lev.	Parts No.	Description	Q'ty						I	R
				(A)	(B)	(C)	(D)	(E)	(F)		
1	1	129107-77330	ADJUSTER	1							
2	1	129423-77200	GENERATOR, 12V-40A	1							
3	2	X9490561001	NUT	1							
4	2	119620-77380	ROTOR ASSY	1							
5	3	119620-79240	BALL BEARING	1							
6	3	119620-79250	COVER, BEARING	1							
7	2	119620-79360	WASHER, THRUST	1							
8	2	119620-77421	FRAME ASSY, DRIVE	1							
9	3	119620-79200	BALL BEARING	1							
10	3	119620-79210	PLATE	1							
11	3	119620-79220	SCREW	4							
12	3	119620-79230	BOLT, STUD	2							
13	2	119620-77440	FLAME ASSY, REAR	1							
14	2	129240-79300	COVER	1							
15	2	119620-77461	PULLEY	1							
16	2	119620-77471	NUT	1							
17	2	129423-77710	REGULATOR ASSY	1							
18	2	119620-79260	HOLDER	1							
19	2	119620-79270	HOLDER, BRUSH	1							
20	3	119620-77480	BRUSH ASSY	2							
21	3	119620-79280	SPRING	2							
22	2	119620-79290	SCREW	1							
23	2	119620-79300	SCREW	1							
24	2	119620-79310	BOLT	3							
25	2	119620-79320	SCREW W/WASHER	2							
26	2	119620-79330	BOLT	2							
27	2	119620-79340	INSULATION BUSH	1							
28	2	119620-79350	NUT	2							
29	2	119620-77490	COLLAR	1							
30	1	129795-01900	STUD	1							
31	1	26306-100002	NUT, M10	1							
32	1	129972-77341	BOLT, ADJUSTER L=50	1							
33	1	119643-66900	DIODE	1							
34	1	119650-77910	RELAY ASSY, GLOW	1							
37	1	128300-77920	TIMER	1							
38	1	129211-77920	TIMER	1							
40	1	124732-77340	SPACER	1							

N:Old $\frac{100}{100}$ New, Q:Old $\frac{100}{100}$ New, R:Old $\frac{100}{100}$ New, S:Old $\frac{100}{100}$ New, W:Add, Z:Discontinued, F:Interchangeable by set, K:Q'ty Change
 Copyright (C) YANMAR CO., LTD. All Rights Reserved.

Fig.18. GASKET SET



Remarks
(1) OPTIONAL PART.

No.	Lev.	Parts No.	Description	Q'ty						I	R
				(A)	(B)	(C)	(D)	(E)	(F)		
1	1	729150-92620	GASKET SET	1							1
2	2	129002-01331	GASKET, HEAD	1							
3	2	121850-51960	O-RING	1							
4	2	124460-11340	SEAL, VALVE STEM	3							
5	2	119802-11870	PROTECTOR, NOZZLE	3							
6	2	119625-11880	SEAT, NOZZLE	3							
7	2	129004-11310	GASKET, BONNET	1							
8	2	129150-77511	GASKET	1							
9	2	129150-13110	GASKET	1							
10	2	129004-13200	GASKET, SILENCER	1							
11	2	121400-11340	SEAL, VALVE STEM	3							
12	2	24311-000160	O-RING, 1AP16.0	1							
13	2	129150-01881	GASKET	1							
14	2	129795-49551	GASKET	1							
15	2	129150-49811	GASKET, THERMOSTAT	1							
16	2	129486-42050	GASKET, WATER PUMP	1							
17	2	22190-080002	WASHER, SEAL 6	2							
18	2	124465-44950	GASKET, 16	1							
19	2	24311-000120	O-RING, 1AP12.0	3							
20	2	24311-000320	O-RING, 1AP32.0	2							
21	2	24341-000240	O-RING, 1AS24.0	1							
22	2	124240-01883	GASKET	2							
23	2	129001-12110	GASKET, MANIFOLD	1							
24	2	129150-35111	GASKET	1							
25	2	119609-32040	O-RING, P16	4							
26	2	22190-100002	WASHER, SEAL 10	2							
27	2	129150-49360	GASKET	1							
28	2	22190-120002	WASHER, SEAL 12	1							
29	1	129400-92430	HONE	1							1
30	1	977770-1207F	GASKET, LIQUID	1							1

Parts No. Index

Parts No.	Fig. No.	Ref. No.
105025-59580	15	6
114250-39450	10	12
114250-53080	14	5
114250-53120	14	10
114250-53130	14	11
114250-53140	14	12
114250-53210	14	13
114250-53400	14	14
119131-18320	6	4
119225-52102	15	10
119233-77932	13	96
119305-59120	14	26
119593-59580	14	54
119609-32040	2	17
	18	25
119620-77380	17	4
119620-77421	17	8
119620-77440	17	13
119620-77461	17	15
119620-77471	17	16
119620-77480	17	20
119620-77490	17	29
119620-79200	17	9
119620-79210	17	10
119620-79220	17	11
119620-79230	17	12
119620-79240	17	5
119620-79250	17	6
119620-79260	17	18
119620-79270	17	19
119620-79280	17	21
119620-79290	17	22
119620-79300	17	23
119620-79310	17	24
119620-79320	17	25
119620-79330	17	26
119620-79340	17	27
119620-79350	17	28
119620-79360	17	7
119625-11880	4	32
	18	6
119643-66900	17	33
119650-77910	17	34
119660-61901	13	59
119802-01560	2	13
119802-03110	4	43
119802-03121	4	44
119802-03130	4	45
119802-03141	4	46
119802-11260	4	6

Parts No.	Fig. No.	Ref. No.
119802-11270	4	7
119802-11280	4	8
119802-11870	4	55
	18	5
119802-21202	8	5
119802-25051	7	10
119802-25070	7	14
119802-25100	7	11
119802-25901	7	17
119802-32070	2	8
119802-32100	2	7
119802-32111	2	18
119802-32120	2	19
119802-32130	2	20
119802-35100	10	5
119802-35110	10	6
119802-39450	10	14
119802-51090	12	110
119802-51250	12	129
119802-51560	12	67
119802-51590	12	73
119802-51600	12	74
119802-51680	12	78
119802-51690	12	79
119802-55700	15	11
119802-55710	15	12
119802-55730	15	16
119802-55800	15	2
119802-59550	14	48
119802-59560	14	50
119807-61420	13	22
120130-11860	4	19
120270-54410	4	34
121023-01550	2	28
121111-21501	8	12
121400-11340	4	28
	18	11
121520-34810	10	2
121550-23200	8	29
121550-49111	11	22
121850-21680	8	11
121850-51960	2	21
	18	3
123900-13610	6	5
123900-13630	6	3
124060-01050	1	5
124060-77680	14	55
124160-01751	2	14
	4	39
124160-01910	1	7

Parts No.	Fig. No.	Ref. No.
124160-01910	1	8
	3	18
124160-11360	4	52
124160-39140	10	13
124195-77770	16	23
124240-01871	2	15
124240-01883	9	1
	18	22
124250-49351	11	24
124460-11340	4	29
	18	4
124465-44950	11	26
	18	18
	8	15
124550-21600	11	29
124722-59050		32
	14	49
	52	
124732-77340	17	40
124766-59050	15	5
		8
128300-77920	17	37
129001-01250	1	6
129001-02930	1	25
129001-12110	5	5
	18	23
129001-32330	2	11
129001-91841	2	22
129001-91870	3	23
129001-91910	3	24
129002-01331	1	33
	18	2
129004-01190	1	31
129004-01520	2	12
129004-03010	4	41
129004-11101	4	24
129004-11241	4	3
129004-11251	4	4
129004-11310	4	49
	18	7
129004-11350	4	40
129004-11650	4	10
129004-11700	4	15
129004-11900	4	33
129004-13200	6	7
	18	10
129004-21002	8	1
129004-22080	8	16
129004-22500	8	18
129004-22900	8	34

Parts No.	Fig. No.	Ref. No.
129004-22950	8	36
129004-55611	15	1
129004-59810	14	35
129004-59820	14	39
129004-59830	14	43
129005-03080	5	1
129005-12100	5	3
129005-59830	10	15
129030-44760	11	36
129052-01551	3	11
129052-01691	3	15
129052-01770	3	10
129052-35090	10	4
129052-42290	11	34
129052-77010	16	1
129052-77030	16	18
129052-77040	16	21
129054-01640	3	14
129054-21591	8	13
129054-42320	11	11
129055-21650	8	9
129100-01580	3	1
		5
		8
		2
129100-01640	3	6
129100-11111	4	25
129100-23910	8	28
129100-35140	10	7
129100-55690	15	13
129107-44901	11	23
129107-77330	17	1
129120-77501	5	8
129129-14580	7	3
129150-01200	1	32
129150-01580	2	32
129150-01600	3	2
129150-01881	7	21
	18	13
129150-02020	1	10
129150-02450	7	4
129150-02870	1	34
129150-02930	1	28
129150-02940	1	37
129150-03070	4	42
129150-11230	4	11
129150-11280	4	9
129150-11370	4	14
129150-11750	4	13
129150-11810	4	21
129150-13110	6	2

Parts No. Index

Parts No.	Fig. No.	Ref. No.
129150-13110	18	9
129150-14101	7	7
129150-14200	7	1
129150-14400	7	2
129150-23600	8	30
129150-23610	8	32
129150-25301	7	16
129150-26000	7	22
129150-26050	7	23
129150-35111	10	9
	18	24
129150-35170	10	10
129150-42059	11	3
129150-42129	11	4
129150-42300	11	8
129150-42319	11	9
129150-49360	11	25
	18	27
129150-49811	11	39
	18	15
129150-59120	14	30
129150-59131	14	29
	33	
129150-77511	5	9
	18	8
129155-49801	11	38
129155-51280	13	5
129155-61460	13	24
129155-77060	16	25
129202-22300	8	22
129210-59100	15	4
129210-59230	15	7
129211-77920	17	38
129234-53001	14	2
129240-79300	17	14
129242-55700	15	11 -1
129242-55720	15	16 -1
129242-55730	15	12 -1
129242-55740	15	17
129242-55750	15	18
129242-55760	15	19
129242-55770	15	20
129255-61410	13	21
129263-34811	10	1
129263-42000	11	1
129263-49610	11	27
129263-49620	11	30
129263-49710	11	28
129263-49720	11	31
129350-49530	11	40

Parts No.	Fig. No.	Ref. No.
129400-92430	18	29
129410-03990	5	2
129418-32320	2	10
129423-77200	17	2
129423-77710	17	17
129486-01670	3	9
129486-42050	11	17
	18	16
129486-59551	14	51
129550-42350	11	33
129555-01750	3	20
129555-59511	15	9
129642-61060	13	97
129655-44740	11	35
129698-77101	16	2
129698-77110	16	3
129698-77120	16	4
129698-77130	16	5
129698-77140	16	6
129698-77150	16	7
129698-77161	16	8
129698-77170	16	9
129698-77180	16	10
129698-77190	16	11
129698-77200	16	12
129698-77210	16	13
129698-77220	16	14
129698-77230	16	15
129698-77240	16	16
129698-77250	16	17
129698-77270	16	20
129698-77280	16	22
129795-01780	3	8
129795-01800	2	6
129795-01900	17	30
129795-01950	2	16
129795-02411	1	13
129795-11120	4	26
129795-11180	4	27
129795-21661	8	10
129795-49551	11	41
	18	14
129900-07900	4	1
129900-32130	2	9
129916-49740	11	16
129916-59020	12	127
129972-77341	17	32
158552-51151	7	18
158552-51570	12	68
		69

Parts No.	Fig. No.	Ref. No.
158552-51580	12	72
158552-51600	12	83
158552-51670	12	4
158552-51780	12	91
158552-52100	12	98
158552-52310	12	100
158552-52400	12	115
158552-52500	12	99
158552-61441	13	23
158552-61900	13	82 -1
158553-51551	12	65
158553-51630	12	84
158553-51640	12	86
158553-51660	12	88
158553-51670	12	77
158553-51680	12	89
158553-51770	12	119
158553-61050	13	2
158553-61070	13	3
158557-51570	12	70
158560-51300	12	49
158563-51281	12	47
		48
158563-51330	12	57
158600-51270	12	46
158601-51340	12	58
158601-51550	12	66
158601-51570	12	71
158601-51650	12	87
158601-51770	12	90
158601-51790	12	92
171051-01921	1	9
171350-13100	6	1
198072-41110	9	2
198072-41120	9	18
22190-080002	10	17
		18
	18	17
22190-100002	10	19
	18	26
22190-120000	13	63
22190-120002	3	13
	12	101
		102
		103
	18	28
22190-180002	12	104
		105
22217-140000	7	19
	12	106

Parts No.	Fig. No.	Ref. No.
22252-000260	8	23
22312-050140	12	107
22351-050010	12	108
22351-060012	4	35
22512-070140	7	8
	8	6
		8
22857-500100	4	50
		51
23414-080000	11	18
23857-030000	10	16
23857-060000	12	111
23876-030000	2	4
23876-040000	2	5
23887-120002	12	112
	13	65
24105-060064	7	25
24311-000070	12	114
24311-000120	4	53
	18	19
24311-000160	10	3
	15	15
	18	12
24311-000320	2	23
	4	54
	18	20
24321-000650	15	14
24321-000750	15	14 -1
24341-000240	2	29
	18	21
24341-000280	13	82
24356-010180	12	116
24356-010200	12	80
		117
24372-000150	12	81
26106-060102	12	118
	13	53
		67
26106-060122	10	11
26106-060142	13	83
		84
26106-060162	2	30
26106-060202	11	13
	13	85
26106-060502	11	37
26106-080122	3	19
	11	19
26106-080142	7	9
26106-080162	2	24
		25

Parts No. Index

Parts No.	Fig. No.	Ref. No.
26106-080162	4	2
	12	130
26106-080202	5	6
	10	8
	12	131
26106-080222	11	42
26106-080252	3	21
	4	36
26106-080302	15	3
26106-080352	4	37
	5	10
26106-080402	7	15
26106-080502	3	22
	4	38
26106-080552	2	26
	11	20
26106-080602	11	21
26106-080802	5	7
	9	34
26106-080952	9	35
26116-060162	11	14
26116-120202	16	26
26206-100202	3	4
26216-080222	9	36
26216-080402	9	37
26306-080002	2	27
	6	6
	9	38
		39
26306-100002	17	31
26366-060002	10	20
26450-080452	12	124
26577-060152	11	12
26756-060002	13	68
26776-140002	7	20
	12	125
27241-120000	1	14
27241-300000	1	15
27241-400000	4	23
27310-080001	4	30
729004-01500	2	1
729004-01560	1	1
729150-92620	18	1
729234-53101	14	1
729263-51390	12	1
729402-23100	8	24
977770-1207F	2	31
	3	3
	4	56
	18	30

Parts No.	Fig. No.	Ref. No.
X2114274200	16	24
X2114535200	16	19
X9490561001	17	3

Parts No.	Fig. No.	Ref. No.
-----------	----------	----------

Parts No.	Fig. No.	Ref. No.
-----------	----------	----------