

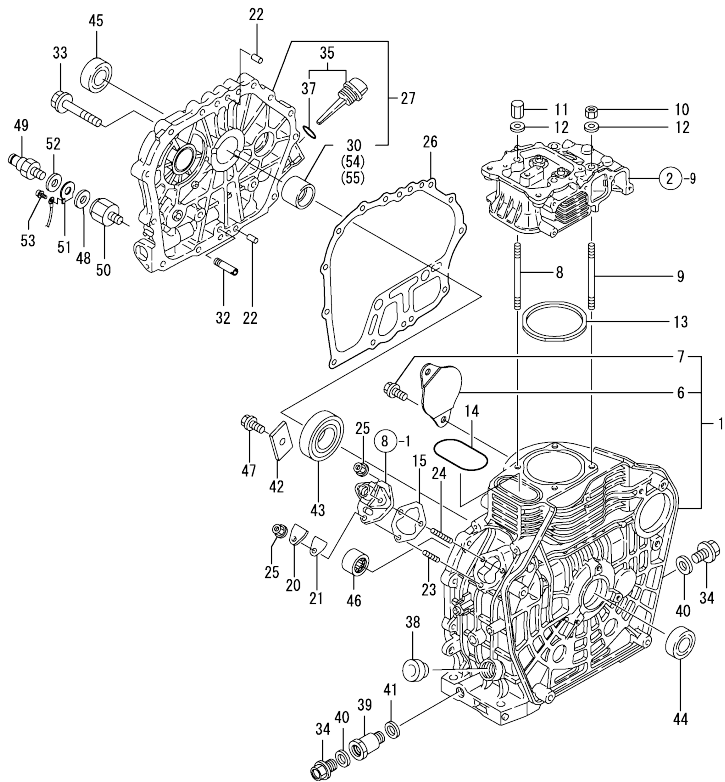
0CS10-M36001EN

Contents

Fig. No.	Fig. Name	Fig. No.	Fig. Name
ENGINE SECTION(L100AE-D(E)G)		22. PANEL (YDG6600TE-5EBN1)	
1.	CYLINDER BLOCK		
2.	CYLINDER HEAD & BONNET		
3.	AIR CLEANER		
4.	MUFFLER		
5.	CRANKSHAFT,PISTON & CAMSHAFT		
6.	LUB.OIL PUMP & GOVERNOR		
7.	COOLING & STARTING DEVICE		
8.	FUEL INJECTION PUMP		
GENERATOR SECTION			
9.	FUEL TANK & FUEL LINE		
10.	STARTING MOTOR & DYNAMO		
11.	TOOLS,LABEL & GASKET SET		
12.	FRAME & BATTERY		
13.	GENERATOR (YDG5500E)		
23.	(13A)RECTIFIER & HARNESS(SPARE PARTS)		
14.	GENERATOR (YDG6600TE-5EBG(1))		
15.	GENERATOR (YDG6600TE-5EBN(1))		
16.	PANEL (YDG5500E-5BG)		
17.	PANEL (YDG5500E-5EBG)		
18.	PANEL (YDG6600TE-5EBG)		
19.	PANEL (YDG6600TE-5EBN)		
20.	PANEL (YDG5500E-5EBG1)		
21.	PANEL (YDG6600TE-5EBG1)		

OCS10-M36001

Fig.1. CYLINDER BLOCK



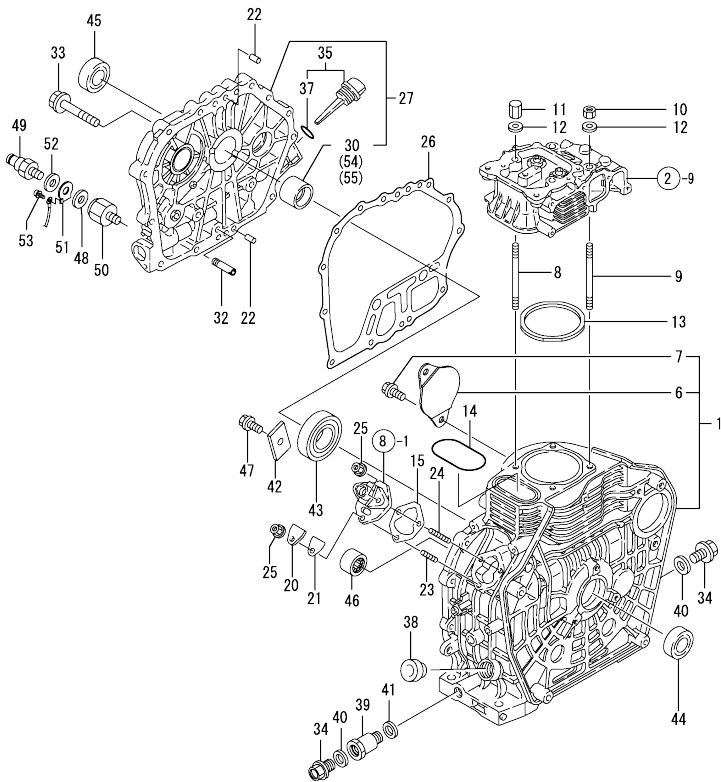
Remarks
 (1) REPAIR PART.
 (2) UNDER-SIZE(U.S=0.25)PART.
 (3) UNDER-SIZE(U.S=0.50)PART.

No.	Lev.	Parts No.	Description	Q'ty						I	R
				(A)	(B)	(C)	(D)	(E)	(F)		
1	1	714970-01560	BLOCK ASSY, CYLINDER	1	1	1	1				
1-1	1	714970-01561	BLOCK ASSY, CYLINDER	1	1	1	1				N
		(A=E74675) (B=E74684) (C=E75401) (D=E75401)									
1-2	1	714970-01562	BLOCK ASSY, CYLINDER	1	1	1	1				N
		(A=E77732) (B=E77707) (C=E77923) (D=E77923)									
6	2	114350-01700	COVER	1	1	1	1				
7	2	26106-100122	BOLT, M10X 12 PLATED	2	2	2	2				
8	1	114650-01230	BOLT, HEAD	2	2	2	2				
9	1	114650-01240	BOLT, HEAD	2	2	2	2				
10	1	105025-01220	NUT, CYLINDER HEAD	2	2	2	2				
11	1	114650-01250	NUT, CYLINDER HEAD	2	2	2	2				
12	1	114650-01260	WASHER	4	4	4	4				
13	1	114970-01340	GASKET, HEAD	1	1	1	1				
14	1	114650-01380	O-RING	1	1	1	1				
15	1	114250-01800	SHIM SET	1	1	1	1				
20	1	114250-01830	COVER	1	1	1	1				
21	1	114250-01841	GASKET	1	1	1	1				
22	1	114270-01600	PIN, M8X12	2	2	2	2				
23	1	26226-060182	STUD, M6X 18	1	1	1	1				
24	1	26226-060222	STUD, M6X 22	2	2	2	2				
25	1	26366-060002	NUT, M6	3	3	3	3				
26	1	114650-01412	GASKET, CRANK CASE	1	1	1	1				
27	1	114660-01471	COVER, CRANK CASE	1	1	1	1				
30	2	114650-02100	BEARING, MAIN	1	1	1	1				1
32	1	114250-35150	PIPE, OIL INLET	1	1	1	1				
33	1	26106-080352	BOLT, M8X 35 PLATED	16	16	16	16				
34	1	105425-01690	PLUG, 16	2	2	2	2				
35	1	160910-01740	CAP ASSY	1	1	1	1				
35-1	1	114699-01760	CAP ASSY	1	1	1	1				R
		(A=E000) (B=E000) (C=E000) (D=E000)									
37	2	24311-000180	O-RING, 1AP18.0	1	1	1	1				
37-1	2	114299-01950	O-RING, 18	1	1	1	1				R
		(A=E000) (B=E000) (C=E000) (D=E000)									
38	1	160110-01870	PLUG, RUBBER	1	1	1	1				
39	1	183279-08350	NIPPLE, DRAIN	1	1	1	1				
40	1	22190-160002	WASHER, SEAL 16	2	2	2	2				
41	1	22190-160002	WASHER, SEAL 16	2	2	2	2				
42	1	114250-02030	RETAINER, BEARING	1	1	1	1				
42-1	1	114299-02030	RETAINER, BEARING	1	1	1	1				R
		(A=E000) (B=E000) (C=E000) (D=E000)									
43	1	114650-02150	BEARING, HR6308G3C3	1	1	1	1				
44	1	24423-355008	SEAL, OIL TC355008	1	1	1	1				
45	1	24423-355008	SEAL, OIL TC355008	1	1	1	1				
46	1	24162-152112	BEARING, 152112	1	1	1	1				
47	1	26106-080122	BOLT, M8X 12 PLATED	1	1	1	1				
48	1	183366-08290	WASHER	1	1	1	1				
49	1	183250-39450	SWITCH, 1.0KG	1	1	1	1				
50	1	183366-39460	JOINT	1	1	1	1				
51	1	171022-39470	TERMINAL, EARTH	1	1	1	1				
52	1	22117-100000	WASHER, 10	1	1	1	1				
53	1	26557-040082	SCREW, M4X 8	1	1	1	1				

N:Old $\frac{New}{Old}$ New. Q:Old $\frac{New}{Old}$ New. R:Old $\frac{New}{Old}$ New. S:Old $\frac{New}{Old}$ New. W:Add. Z:Discontinued. F:Interchangeable by set. K:Q'ty Change
 ++ CONTINUE ++
 Copyright (C) YANMAR CO., LTD. All Rights Reserved.

OCS10-M36001

Fig.1. CYLINDER BLOCK



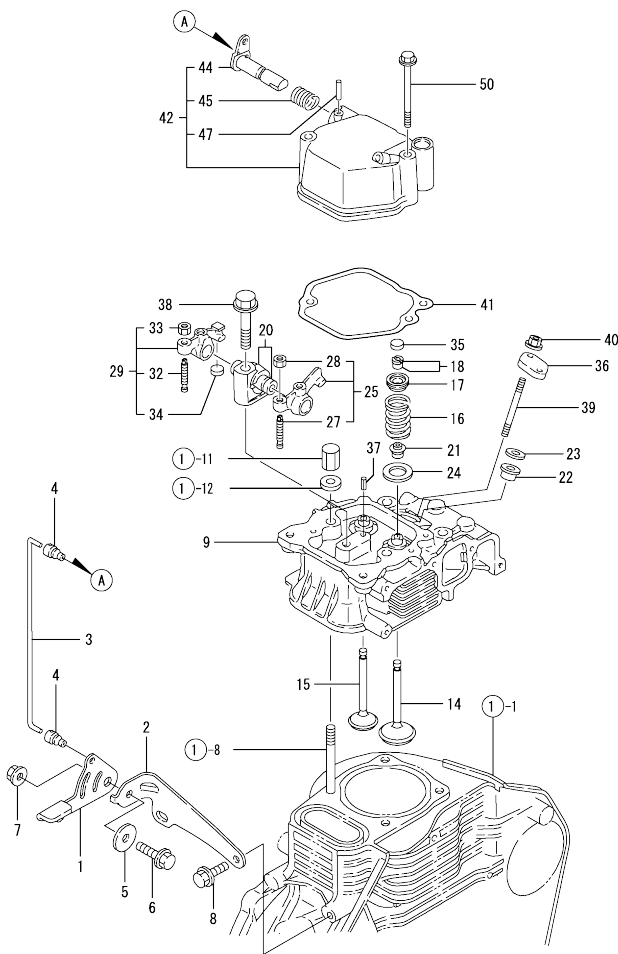
(A)=L100AE-DGY5B (D)=100AEDEGYT5B
 (B)=100AE-DEGY5B (E)=
 (C)=100AEDEGYT5B (F)=

No.	Lev.	Parts No.	Description	Q'ty						I	R
				(A)	(B)	(C)	(D)	(E)	(F)		
54	1	114650-02200	BEARING, 0.25 US	1	1	1	1			2	
55	1	114650-02210	BEARING, 0.50 US	1	1	1	1			3	

Remarks
 (1) REPAIR PART.
 (2) UNDER-SIZE(U.S=0.25)PART.
 (3) UNDER-SIZE(U.S=0.50)PART.

N:Old $\frac{100}{100}$ New, Q:Old $\frac{100}{100}$ New, R:Old $\frac{100}{100}$ New, S:Old $\frac{100}{100}$ New, W:Add, Z:Discontinued, F:Interchangeable by set, K:Qty Change
 Copyright (C) YANMAR CO., LTD. All Rights Reserved.

Fig.2. CYLINDER HEAD & BONNET

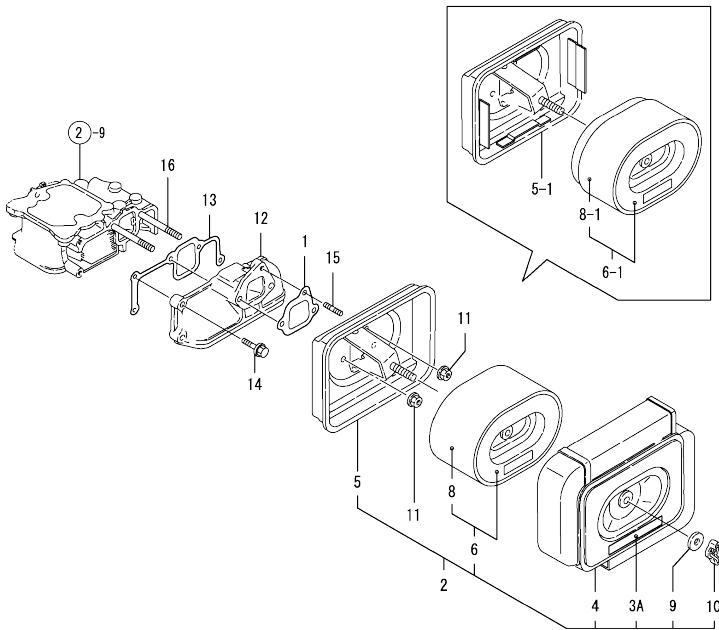


No.	Lev.	Parts No.	Description	Qty						I	R
				(A)	(B)	(C)	(D)	(E)	(F)		
1	1	183250-03410	LEVER, DECOMPRESSION	1	1	1	1				
2	1	183250-03450	BRACKET, LEVER	1	1	1	1				
3	1	183650-03510	LINK	1	1	1	1				
4	1	183250-03550	JOINT	2	2	2	2				
5	1	160670-66350	COLLAR	1	1	1	1				
6	1	26106-060122	BOLT, M6X 12 PLATED	1	1	1	1				
7	1	26366-060002	NUT, M6	1	1	1	1				
8	1	26476-060142	SCREW, TAPPING M6X14	2	2	2	2				
9	1	114650-11010	HEAD ASSY, CYLINDER	1	1	1	1				
9-1	1	114650-11011	HEAD ASSY, CYLINDER	1	1	1	1				N
		(A=E67999)	(B=E67878)	(C=E75401)	(D=E75401)						
14	1	114650-11100	VALVE, INTAKE	1	1	1	1				
15	1	114654-11110	VALVE, EXHAUST	1	1	1	1				
16	1	114650-11121	SPRING, VALVE	2	2	2	2				
17	1	119620-11180	RETAINER, SPRING	2	2	2	2				
18	1	27310-070001	COTTER, 7	2	2	2	2				
20	1	114650-11261	SUPPORT, ROCKER ARM	1	1	1	1				
21	1	114650-11340	SEAL, VALVE STEM	2	2	2	2				
22	1	114250-11460	GASKET, NOZZLE	1	1	1	1				
23	1	114350-11470	SPACER, NOZZLE	1	1	1	1				
24	1	114650-11600	WASHER	2	2	2	2				
25	1	114650-11652	ARM, ROCKER	1	1	1	1				
27	2	114250-11240	SCREW, VALVE ADJUST	1	1	1	1				
28	2	26756-060002	NUT, LOCK M6	1	1	1	1				
28-1	2	26856-060002	NUT, M6	1	1	1	1				R
		(A=E56764)	(B=E54443)	(C=E54794)	(D=E54794)						
29	1	714670-11660	ARM ASSY, ROCKER	1	1	1	1				
32	2	114250-11240	SCREW, VALVE ADJUST	1	1	1	1				
33	2	26756-060002	NUT, LOCK M6	1	1	1	1				
33-1	2	26856-060002	NUT, M6	1	1	1	1				R
		(A=E56764)	(B=E54443)	(C=E54794)	(D=E54794)						
34	2	104211-11370	CAP, VALVE	1	1	1	1				
35	1	104211-11370	CAP, VALVE	1	1	1	1				
36	1	114250-11900	RETAINER, NOZZLE	1	1	1	1				
36-1	1	114250-11901	RETAINER, NOZZLE	1	1	1	1				N
		(A=E56764)	(B=E54443)	(C=E54794)	(D=E54794)						
		(A=E56764)	(B=E54443)	(C=E54794)	(D=E54794)						
37	1	22351-040008	PIN, SPRING 4.0X 8	1	1	1	1				
38	1	26106-100552	BOLT, M10X 55 PLATED	1	1	1	1				
39	1	26226-060502	STUD, M6X 50	2	2	2	2				
40	1	26366-060002	NUT, M6	2	2	2	2				
41	1	114650-11311	GASKET, BONNET	1	1	1	1				
42	1	183650-11951	BONNET ASSY, HEAD	1	1	1	1				
44	2	183250-03601	SHAFT, DECOMPRESSION	1	1	1	1				
45	2	114250-03640	SPRING, DECOMPRESSION	1	1	1	1				
47	2	22312-030160	PIN, PARALLEL M3X16	1	1	1	1				
50	1	26106-060702	BOLT, M6X 70 PLATED	2	2	2	2				

N:Old $\frac{100}{100}$ New, Q:Old $\frac{100}{100}$ New, R:Old $\frac{100}{100}$ New, S:Old $\frac{100}{100}$ New, W:Add, Z:Discontinued, F:Interchangeable by set, K:Qty Change
 Copyright (C) YANMAR CO., LTD. All Rights Reserved.

OCS10-M36001

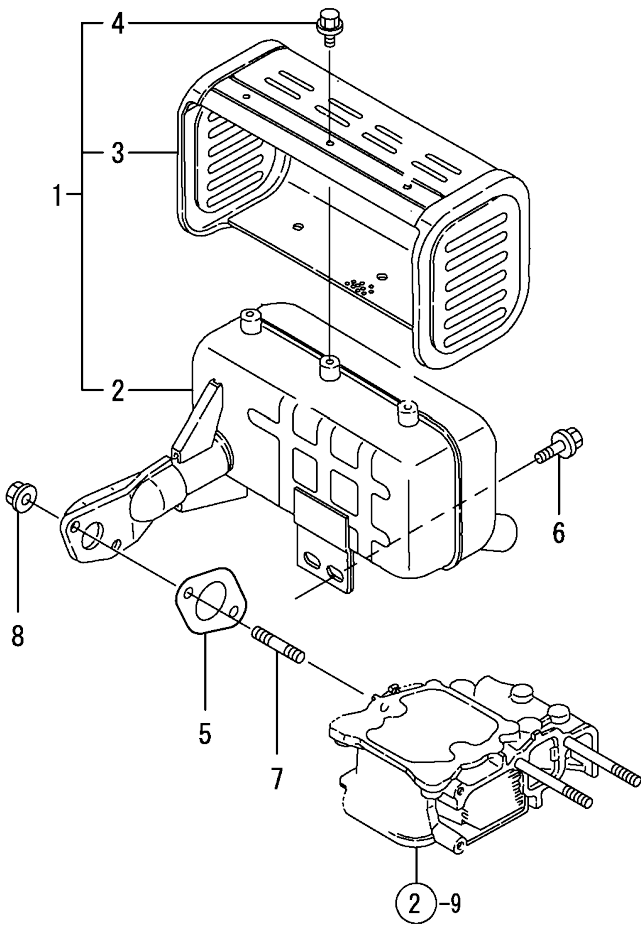
Fig.3. AIR CLEANER



No.	Lev.	Parts No.	Description	Q'ty						I	R
				(A)	(B)	(C)	(D)	(E)	(F)		
1	1	114650-12211	GASKET, AIR CLEANER	1	1	1	1				
2	1	714650-12560	CLEANER ASSY, AIR	1	1	1	1				
2-1	1	714650-12561	CLEANER ASSY, AIR	1	1	1	1				N
3A	2	(A=E79015) 114650-07450	(B=E79023) (C=E79058) LABEL, AIR CLEANER	(D=E79058)	1	1	1	1			W
		(A=E79015)	(B=E79023) (C=E79058)	(D=E79058)							
4	2	114650-12520	COVER, AIR CLEANER	1	1	1	1				
5	2	114650-12530	CASE ASSY, CLEANER	1	1	1	1				
5-1	2	114650-12531	CASE ASSY, CLEANER	1	1	1	1				S
6	2	(A=E79015) 114650-12590	(B=E79023) (C=E79058) ELEMENT ASSY	(D=E79058)	1	1	1	1			
		6-1	114650-12591	ELEMENT ASSY	1	1	1	1			S
8	3	(A=E79015) 114650-12550	(B=E79023) (C=E79058) FILTER, PRE	(D=E79058)	1	1	1	1			
		8-1	114650-12551	FILTER, PRE	1	1	1	1			S
9	2	(A=E79015) 114252-12560	(B=E79023) (C=E79058) WASHER, SEAL M8	(D=E79058)	1	1	1	1			
		10	114252-12550	NUT, WING M8	1	1	1	1			
11	1	26366-060002	NUT, M6	3	3	3	3				
11-1	1	114250-12300	NUT	3	3	3	3				R
12	1	(A=E56764) 114650-12020	(B=E56421) (C=E56511) PIPE, AIR INTAKE	(D=E56511)	1	1	1	1			
		12-1	114699-12020	PIPE, AIR INTAKE	1	1	1	1			R
13	1	(A=E63448) 114650-12301	(B=E63341) (C=E63864) GASKET	(D=E63864)	1	1	1	1			
		14	26106-060252	BOLT, M6X 25 PLATED	3	3	3	3			
15	1	26226-060142	STUD, M6X 14	1	1	1	1				
15-1	1	(A=E60498) 26226-060182	(B=E60838) (C=E60630) STUD, M6X 18	(D=E60630)	1	1	1	1			N
		15-2	26226-060142	STUD, M6X 14	1	1	1	1			N
16	1	(A=E61550) 26226-060752	(B=E61736) (C=E63864) STUD, M6X 75	(D=E63864)	2	2	2	2			
		16-1	26226-060802	STUD, M6X 80	2	2	2	2			N
16-2	1	(A=E60498) 26226-060752	(B=E60838) (C=E60630) STUD, M6X 75	(D=E60630)	2	2	2	2			N
		(A=E61550)	(B=E61736) (C=E63864)	(D=E63864)							

N:Old $\frac{100}{100}$ New. Q:Old $\frac{100}{100}$ New. R:Old $\frac{100}{100}$ New. S:Old $\frac{100}{100}$ New. W:Add. Z:Discontinued. F:Interchangeable by set. K:Q'ty Change
 Copyright (C) YANMAR CO., LTD. All Rights Reserved.

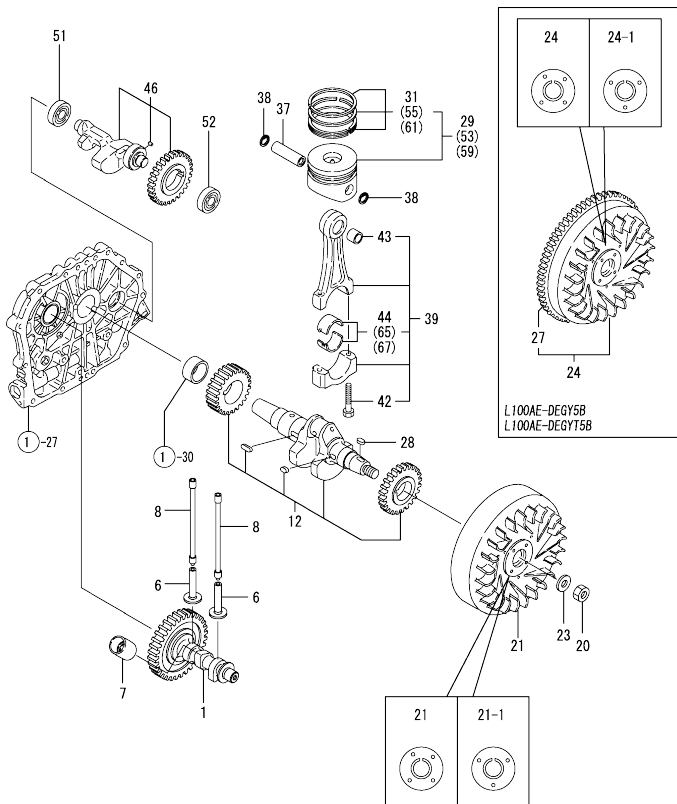
Fig.4. MUFFLER



No.	Lev.	Parts No.	Description	Q'ty						I	R
				(A)	(B)	(C)	(D)	(E)	(F)		
1	1	183650-13500	MUFFLER ASSY	1	1	1	1				
1-1	1	183650-13501	MUFFLER ASSY	1	1	1	1				N
		(A=E75268) (B=E75023) (C=E75401) (D=E75401)									
2	2	183650-13510	MUFFLER	1	1	1	1				
2-1	2	183650-13511	MUFFLER	1	1	1	1				N
		(A=E75268) (B=E75023) (C=E75401) (D=E75401)									
3	2	183650-13700	COVER	1	1	1	1				
4	2	26106-060082	BOLT, M6X 8 PLATED	6	6	6	6				
5	1	114650-13201	GASKET, MUFFLER	1	1	1	1				
6	1	26106-080162	BOLT, M8X 16 PLATED	2	2	2	2				
6-1	1	26106-080182	BOLT, M8X 18 PLATED	2	2	2	2				N
		(A=E75268) (B=E75023) (C=E75401) (D=E75401)									
7	1	26226-080202	STUD, M8X 20	2	2	2	2				
7-1	1	26216-080182	STUD, M8X 18	2	2	2	2				R
		(A=E75268) (B=E75023) (C=E75401) (D=E75401)									
8	1	26366-080002	NUT, M8	2	2	2	2				
8-1	1	26306-080002	NUT, M8	2	2	2	2				N
		(A=E75268) (B=E75023) (C=E75401) (D=E75401)									

N:Old $\frac{100}{100}$ New, Q:Old $\frac{100}{100}$ New, R:Old $\frac{100}{100}$ New, S:Old $\frac{100}{100}$ New, W:Add, Z:Discontinued, F:Interchangeable by set, K:Qty Change
 Copyright (C) YANMAR CO., LTD. All Rights Reserved.

Fig.5. CRANKSHAFT,PISTON & CAMSHAFT



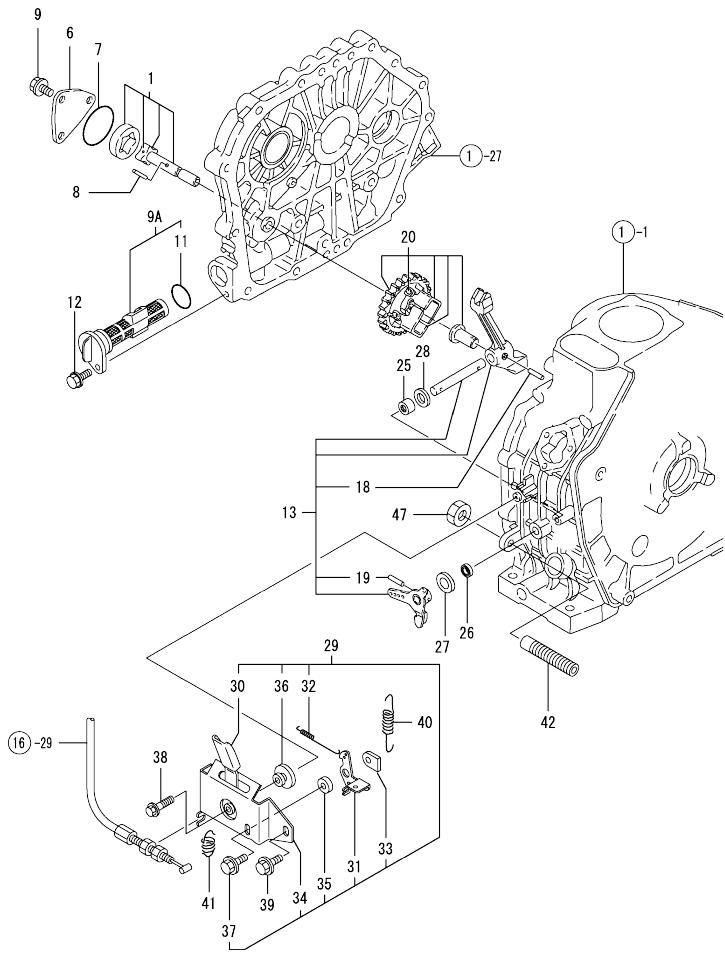
Remarks

- (1) OVER-SIZE PART.
- (2) UNDER-SIZE PART.
- (3) REF.NO.21-1 & FIG.7 REF.NO.27-1 INTERCHANGEABLE BY SET.
- (4) REF.NO.24-1 & FIG.7 REF.NO.27-1 INTERCHANGEABLE BY SET.

No.	Lev.	Parts No.	Description	Q'ty						I	R
				(A)	(B)	(C)	(D)	(E)	(F)		
1	1	714689-14580	CAMSHAFT ASSY	1	1	1	1				
6	1	114650-14200	TAPPET	2	2	2	2				
7	1	114250-14260	TAPPET	1	1	1	1				
7-1	1	114771-14260	TAPPET	1	1	1	1				R
		(A=E-XXXX) (B=E-XXXX) (C=E-XXXX) (D=E-XXXX)									
8	1	114650-14401	ROD ASSY, PUSH	2	2	2	2				
8-1	1	114650-14402	ROD ASSY, PUSH	2	2	2	2				R
		(A=E-XXXX) (B=E-XXXX) (C=E-XXXX) (D=E-XXXX)									
12	1	783692-21700	CRANKSHAFT ASSY	1	1	1	1				
20	1	122710-01220	NUT, CYLINDER HEAD	1	1	1	1				
21	1	114660-21401	FLYWHEEL	1							
21-1	1	114660-21402	FLYWHEEL	1							S 3
		(A=E65588)									
21-2	1	114699-21420	FLYWHEEL	1							R
		(A=E78387)									
23	1	114650-21551	WASHER	1	1	1	1				
24	1	114662-21592	FLYWHEEL ASSY	1	1	1	1				
24-1	1	114662-21593	FLYWHEEL ASSY	1	1	1	1				S 4
		(B=E66643) (C=E66058) (D=E66058)									
24-2	1	114699-21590	FLYWHEEL ASSY	1	1	1	1				R
		(B=E78439) (C=E78466) (D=E78466)									
27	2	114662-21601	GEAR, RING		1	1	1				
28	1	22512-050140	KEY, 5X 14	1	1	1	1				
29	1	714980-22720	PISTON ASSY, D	1	1	1	1				
29-1	1	714980-22721	PISTON ASSY, D	1	1	1	1				N
		(A=E-XXXX) (B=E-XXXX) (C=E-XXXX) (D=E-XXXX)									
31	2	714970-22500	RING SET, PISTON	1	1	1	1				
37	1	114650-22300	PIN, PISTON D=23	1	1	1	1				
37-1	1	114699-22300	PIN, PISTON D=23	1	1	1	1				R
		(A=E64521) (B=E64145) (C=E66058) (D=E66058)									
38	1	129792-22400	CIRCLIP, 23	2	2	2	2				
39	1	714650-23700	ROD ASSY, CONNECTING	1	1	1	1				
39-1	1	71465G-23700	ROD ASSY, CONNECTING	1	1	1	1				N
		(A=E79616) (B=E79938) (C=E79956) (D=E79956)									
42	2	104200-23201	BOLT, CONNECTING ROD	2	2	2	2				
42-1	2	105300-23200	BOLT, CONNECTING ROD	2	2	2	2				N
		(A=E60498) (B=E60251) (C=E60179) (D=E60179)									
43	2	124060-23100	BEARING, PISTON PIN	1	1	1	1				
44	2	714650-23600	BEARING, CRANK PIN	1	1	1	1				
46	1	714689-28510	SHAFT ASSY, BALANCER	1	1	1	1				
46-1	1	714970-28511	SHAFT ASSY, BALANCER	1	1	1	1				N
		(A=E62338) (B=E62655) (C=E63864) (D=E63864)									
51	1	24101-062034	BEARING, BALL 6203	1	1	1	1				
52	1	24101-063034	BEARING, BALL 6303	1	1	1	1				
53	1	714980-22620	PISTON ASSY, 0.25 OS	1	1	1	1				1
53-1	1	714980-22621	PISTON ASSY, 0.25 OS	1	1	1	1				N 1
		(A=E-XXXX) (B=E-XXXX) (C=E-XXXX) (D=E-XXXX)									
55	2	714970-22540	RING SET, 0.25 OS	1	1	1	1				1
59	1	714980-22580	PISTON ASSY, 0.50 OS	1	1	1	1				1
59-1	1	714980-22581	PISTON ASSY, 0.50 OS	1	1	1	1				N 1
		(A=E-XXXX) (B=E-XXXX) (C=E-XXXX) (D=E-XXXX)									

N:Old $\frac{New}{Old}$ New. Q:Old $\frac{New}{Old}$ New. R:Old $\frac{New}{Old}$ New. S:Old $\frac{New}{Old}$ New. W:Add. Z:Discontinued. F:Interchangeable by set. K:Q'ty Change
 ++ CONTINUE ++
 Copyright (C) YANMAR CO., LTD. All Rights Reserved.

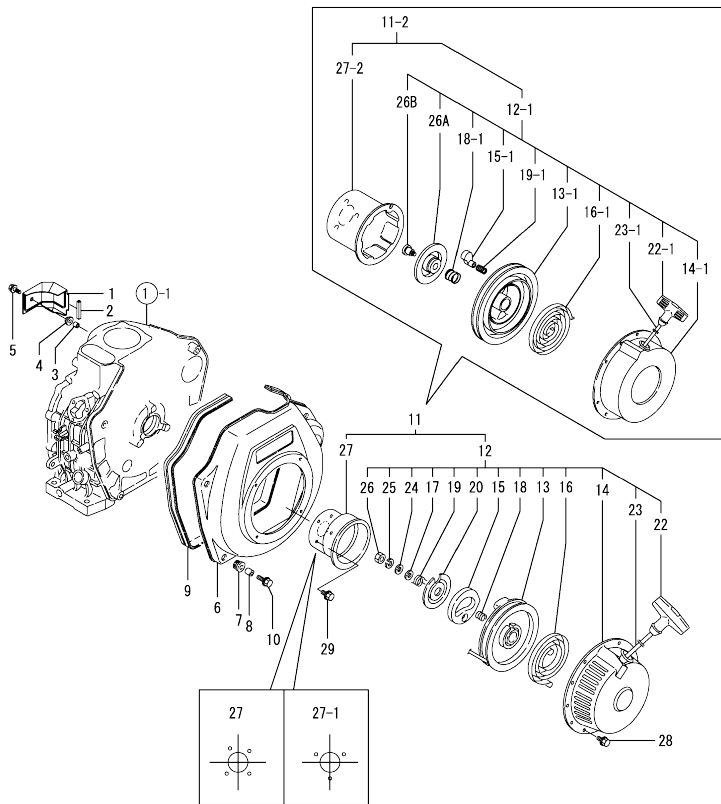
Fig.6. LUB.OIL PUMP & GOVERNOR



No.	Lev.	Parts No.	Description	Q'ty						I	R
				(A)	(B)	(C)	(D)	(E)	(F)		
1	1	114650-32010	PUMP ASSY, OIL	1	1	1	1				
6	1	114250-32070	COVER	1	1	1	1				
7	1	103338-32570	O-RING	1	1	1	1				
8	1	22312-030160	PIN, PARALLEL M3X16	1	1	1	1				
9	1	26476-060142	SCREW, TAPPING M6X14	3	3	3	3				
9A	1	114250-35110	FILTER ASSY, OIL	1	1	1	1				W
		(A)=E77732	(B)=E77707	(C)=E77923	(D)=E77923						
11	2	24341-000224	O-RING, 1AS22.4	1	1	1	1				
12	1	26106-060162	BOLT, M6X 16 PLATED	1	1	1	1				
13	1	714650-61500	LEVER ASSY, GOVERNOR	1	1	1	1				
13-1	1	714650-61501	LEVER ASSY, GOVERNOR	1	1	1	1				N
		(A)=E77732	(B)=E77707	(C)=E77923	(D)=E77923						
18	2	22322-030200	PIN, TAPER 3X20	1	1	1	1				
19	2	22322-030200	PIN, TAPER 3X20	1	1	1	1				
20	1	714685-61700	GOVERNOR ASSY	1	1	1	1				
25	1	114270-61520	BEARING, NEEDLE 8	2	2	2	2				R
25-1	1	114299-61520	BEARING, NEEDLE	2	2	2	2				
		(A)=E77732	(B)=E77707	(C)=E77923	(D)=E77923						
25-2	1	114770-61520	BEARING, NEEDLE	2	2	2	2				N
		(A)=E77732	(B)=E77707	(C)=E77923	(D)=E77923						
26	1	114770-61600	SEAL, OIL	1	1	1	1				
27	1	114770-61610	WASHER, THRUST	1	1	1	1				
28	1	114770-61190	WASHER	1	1	1	1				
29	1	183250-66511	BRACKET ASSY, HANDLE	1	1	1	1				
30	2	183250-66301	HANDLE	1	1	1	1				
31	2	183250-66321	LEVER, LOCK	1	1	1	1				
32	2	183250-66331	SPRING	1	1	1	1				
33	2	183250-66341	NUT, LOCK	1	1	1	1				
34	2	183250-66351	BRACKET	1	1	1	1				
35	2	183250-66361	COLLAR	1	1	1	1				
36	2	183250-66371	COLLAR	1	1	1	1				
37	2	26106-060162	BOLT, M6X 16 PLATED	1	1	1	1				
38	1	26106-060202	BOLT, M6X 20 PLATED	1	1	1	1				
39	1	26476-060142	SCREW, TAPPING M6X14	1	1	1	1				
40	1	114970-66010	SPRING, REGULATOR	1	1	1	1				
41	1	114250-66200	SPRING, RETURN	1	1	1	1				
42	1	114650-66600	LIMITER ASSY, FUEL	1	1	1	1				
47	1	26696-100002	NUT, LOCK M10	1	1	1	1				
47-1	1	26776-100002	NUT, LOCK M10	1	1	1	1				N
		(A)=E74675	(B)=E74684	(C)=E75401	(D)=E75401						

N:Old $\frac{New}{Old}$ New. Q:Old $\frac{New}{Old}$ New. R:Old $\frac{New}{Old}$ New. S:Old $\frac{New}{Old}$ New. W:Add. Z:Discontinued. F:Interchangeable by set. K:Q'ty Change
 Copyright (C) YANMAR CO., LTD. All Rights Reserved.

Fig.7. COOLING & STARTING DEVICE

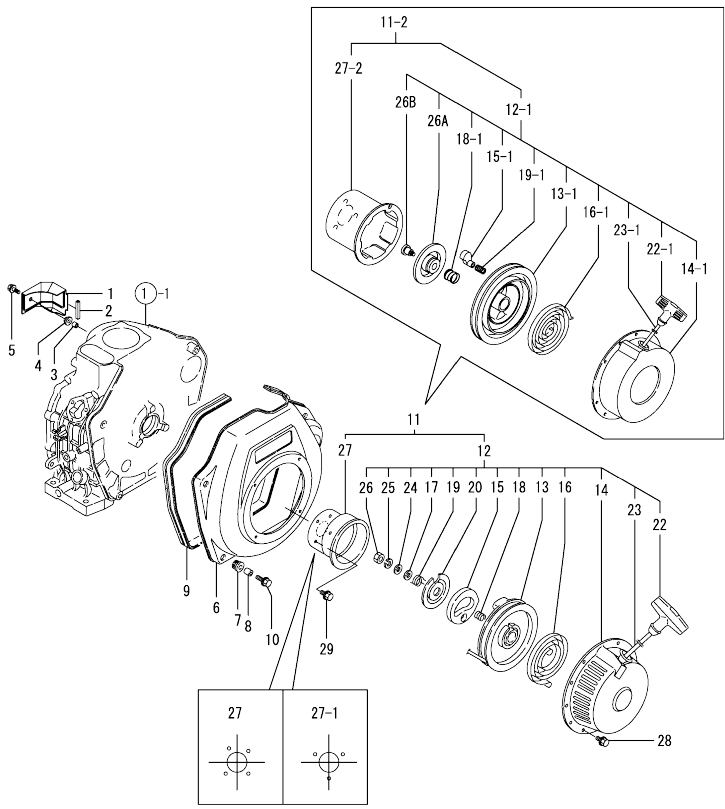


Remarks
 (1) Ref.No.10 taptite, 10-1 screw.
 (2) Ref.No.11-1 & Fig.5 Ref.No.21-1 or 24-1 interchangeable by set.
 (3)Ref.No.12-1 & Ref.No.27-2 interchangeable by set.

No.	Lev.	Parts No.	Description	Qty						I	R
				(A)	(B)	(C)	(D)	(E)	(F)		
1	1	114650-45201	COVER	1	1	1	1				
2	1	114350-45320	RUBBER, SEAL	1	1	1	1				
3	1	114350-45340	COLLAR	1	1	1	1				
4	1	183720-55210	GROMMET	1	1	1	1				
5	1	26476-060202	SCREW, TAPPING M6X20	1	1	1	1				
5-1	1	26106-060202	BOLT, M6X 20 PLATED	1	1	1	1				N
6	1	114668-45102-R	CASE, COOLING FAN	1	1	1	1				
7	1	114250-45300	ABSORBER	4	4	4	4				
7-1	1	114250-45301	ABSORBER	4	4	4	4				N
8	1	114250-45310	COLLAR	4	4	4	4				
9	1	114650-45330	SEAL, FAN CASE L=950	1	1	1	1				
10	1	114370-45350	BOLT	4	4	4	4				
10-1	1	114370-45351	BOLT	4	4	4	4				S 1
11	1	114660-76050	STARTER ASSY, RECOIL	1	1	1	1				
11-1	1	114660-76051	STARTER ASSY, RECOIL	1	1	1	1				S 2
11-2	1	114660-76052	STARTER ASSY, RECOIL	1	1	1	1				R 3
12	2	114660-76250	STARTER ASSY, RECOIL	1	1	1	1				
12-1	2	114660-76251	STARTER ASSY, RECOIL	1	1	1	1				S
13	3	114650-76520	REEL	1	1	1	1				
13-1	3	114880-76520	REEL	1	1	1	1				S
14	3	114660-76530	CASE, STARTER	1	1	1	1				
14-1	3	114660-76531	CASE, STARTER	1	1	1	1				S
15	3	160910-76530	RATCHET	1	1	1	1				
15-1	3	114870-76530	RATCHET	2	2	2	2				S
16	3	114650-76540	SPRING, SPIRAL	1	1	1	1				
16-1	3	114870-76540	SPRING, SPIRAL	1	1	1	1				S
17	3	160910-76550	WASHER, THRUST	1	1	1	1				Z
18	3	160910-76560	SPRING, FRICTION	1	1	1	1				
18-1	3	114870-76560	SPRING, FRICTION	1	1	1	1				S
19	3	160910-76570	SPRING, RETURN	1	1	1	1				
19-1	3	114870-76570	SPRING, RETURN	2	2	2	2				S
20	3	160910-76580	PLATE, FRICTION	1	1	1	1				Z
22	3	160910-76620	KNOB, STARTER	1	1	1	1				
22-1	4	114870-76620	KNOB, STARTER	1	1	1	1				S
23	3	114650-76630	ROPE, STARTER	1	1	1	1				
23-1	4	114650-76631	ROPE, STARTER	1	1	1	1				S

N:Old $\frac{New}{Old}$ New, Q:Old $\frac{New}{Old}$ New, R:Old $\frac{New}{Old}$ New, S:Old $\frac{New}{Old}$ New, W:Add, Z:Discontinued, F:Interchangeable by set, K:Qty Change
 ++ CONTINUE ++
 Copyright (C) YANMAR CO., LTD. All Rights Reserved.

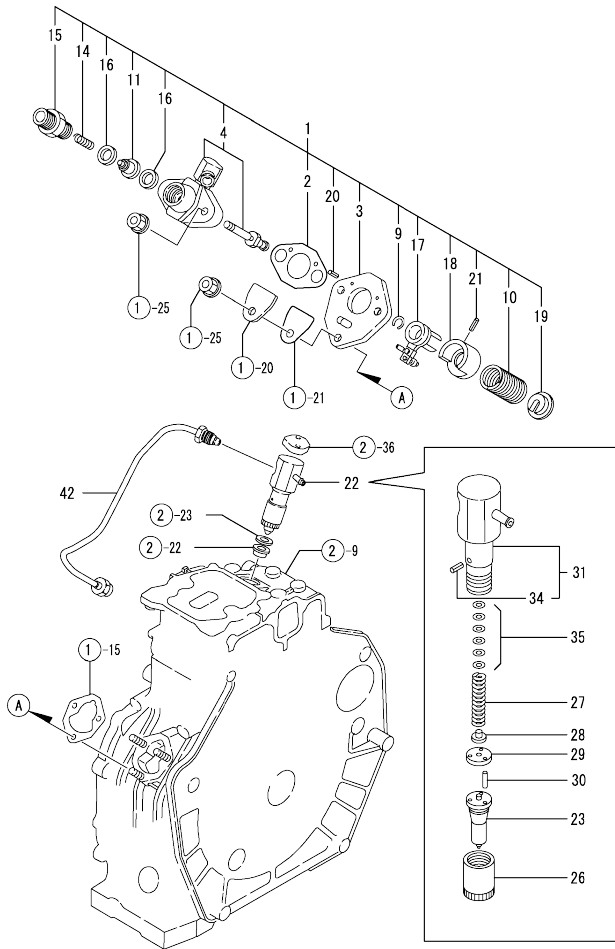
Fig.7. COOLING & STARTING DEVICE



Remarks
 (1) Ref.No.10 taptite, 10-1 screw.
 (2) Ref.No.11-1 & Fig.5 Ref.No.21-1 or 24-1 interchangeable by set.
 (3)Ref.No.12-1 & Ref.No.27-2 interchangeable by set.

No.	Lev.	Parts No.	Description		Q'ty						I	R
					(A)	(B)	(C)	(D)	(E)	(F)		
24	3	160910-76650	WASHER, THRUST	(D=E71865)	1	1	1	1				Z
25	3	22217-060000	WASHER, SPRING 6	(D=E71865)	1	1	1	1				Z
26	3	26717-060002	NUT, M6	(D=E71865)	1	1	1	1				Z
26A	3	114880-76550	GUIDE, RATCHET	(D=E71865)	1	1	1	1				W
26B	3	114870-76580	SCREW	(D=E71865)	1	1	1	1				W
27	2	114660-76590	PULLEY, STARTER	(D=E71865)	1	1	1	1				S
27-1	2	114660-76591	PULLEY, STARTER	(D=E68058)	1	1	1	1				S
27-2	2	114660-76592	PULLEY, STARTER	(D=E71865)	1	1	1	1				S
28	1	26106-060082	BOLT, M6X 8 PLATED		4	4	4	4				
29	1	26106-060122	BOLT, M6X 12 PLATED		4	4	4	4				
29-1	1	26106-060122	BOLT, M6X 12 PLATED	(D=E66058)	3	3	3	3				K

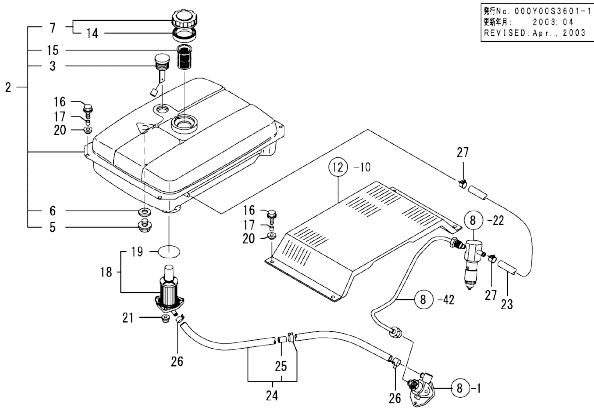
Fig.8. FUEL INJECTION PUMP



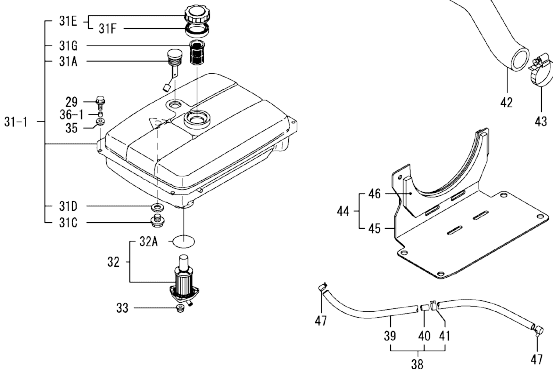
No.	Lev.	Parts No.	Description	Q'ty						I	R
				(A)	(B)	(C)	(D)	(E)	(F)		
1	1	783986-51100	PUMP ASSY, INJECTION	1	1	1	1				
2	2	105546-51020	GASKET	1	1	1	1				
3	2	114250-51080	PLATE	1	1	1	1				
4	2	183986-51100	BODY ASSY, PUMP	1	1	1	1				
9	2	114250-51150	RING, SNAP	1	1	1	1				Z
		(A=E-XXXX)	(B=E-XXXX)	(C=E-XXXX)	(D=E-XXXX)						
10	2	114250-51160	SPRING, PLUNGER	1	1	1	1				
11	2	114650-51300	VALVE ASSY, DELIVERY	1	1	1	1				
14	2	105546-51330	SPRING, DELIVERY	1	1	1	1				
15	2	114250-51340	HOLDER, DELIVERY	1	1	1	1				
16	2	124550-51350	GASKET, DELIVERY	2	2	2	2				
17	2	114250-51600	LEVER ASSY, CONTROL	1	1	1	1				
18	2	114250-51640	SEAT, SPRING A	1	1	1	1				
19	2	114250-51650	SEAT, SPRING B	1	1	1	1				
20	2	22351-020006	PIN, SPRING 2.0X 6	2	2	2	2				
21	2	22351-030008	PIN, SPRING 3.0X 8	1	1	1	1				
22	1	714650-53100	VALVE ASSY, INJECTION	1	1	1	1				
23	2	114650-53000	VALVE ASSY, INJECTION	1	1	1	1				
26	2	114250-53080	NUT, NOZZLE D16.95	1	1	1	1				
27	2	114250-53120	SPRING, NOZZLE	1	1	1	1				
28	2	114250-53130	SEAT, SPRING	1	1	1	1				
29	2	114250-53140	PLATE	1	1	1	1				
30	2	114250-53210	PIN	2	2	2	2				
31	2	114650-53300	HOLDER ASSY, NOZZLE	1	1	1	1				
34	3	114250-53331	PIN	1	1	1	1				
35	2	114250-53400	SHIM SET	1	1	1	1				
42	1	183650-59800	PIPE ASSY, INJECTION	1	1	1	1				
42-1	1	183650-59801	PIPE ASSY, INJECTION	1	1	1	1				R
		(A=E78282)	(B=E78310)	(C=E78466)	(D=E78466)						

OCS10-M36001

Fig.9. FUEL TANK & FUEL LINE



YDG5500E-5EBG1
YDG6600TE-5EBG1
YDG6600TE-5EBN1



Remarks

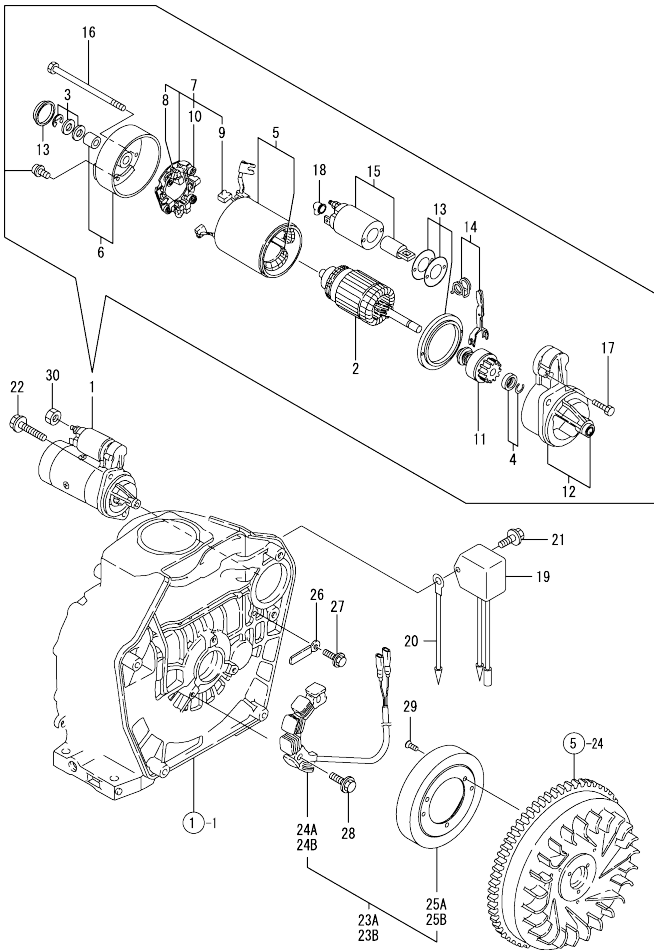
- (1) FOR YDG5500E-5EBG1,
YDG6600TE-5EBG1/5EBN1.
- (M) MISPRINT.

(A)=5500E-5BG (D)=6600TE5EBN(1)
(B)=5500E-5EBG(1) (E)=
(C)=6600TE5EBG(1) (F)=

No.	Lev.	Parts No.	Description	Q'ty						I	R
				(A)	(B)	(C)	(D)	(E)	(F)		
2	1	X2A05277KD0	TANK ASSY, FUEL	1	1	1	1				
3	2	X3A06146KA0	GAUGE, FUEL	1	1	1	1				
5	2	104200-55080	PLUG, DRAIN	1	1	1	1				
6	2	22190-120002	WASHER, SEAL 12	1	1	1	1				
7	2	160710-55061	CAP ASSY	1	1	1	1				
14	3	160393-55050	GASKET	1	1	1	1				
15	2	160710-55100	FILTER, FUEL	1	1	1	1				
16	1	X3A06123K03	BOLT		8	8	8	8			
17	1	X5M07994000	COLLAR		8	8	8	8			
18	1	183254-55120	FILTER, FUEL	1	1	1	1				
19	2	24341-000450	O-RING, 1AS45.0	1	1	1	1				
20	1	183720-55210	GROMMET	8	8	8	8				
21	1	26366-060002	NUT, M6	3	3	3	3				
23	1	X3A06356K03	HOSE, FUEL	1	1	1	1				
24	1	X3A06873KC0	HOSE, FUEL	1	1	1	1				
25	2	183250-59040	PIECE	1	1	1	1				
26	1	106990-44660	CLIP, HOSE 12.5	2	2	2	2				
27	1	124722-59050	CLIP, HOSE 9	2	2	2	2				
29	1	X3A06123K03	BOLT		8	8	8				1
31	1	X2A05277K	TANK	1	1	1	1				M
31-1	1	X2A05277KD	TANK	1	1	1	1				1
31A	2	X3A09430KA	GAUGE, FUEL	1	1	1	1				W
		(B=FROM 1ST) (C=FROM 1ST) (D=FROM 1ST)									
31C	2	104200-55080	PLUG, DRAIN	1	1	1	1				W
		(B=FROM 1ST) (C=FROM 1ST) (D=FROM 1ST)									
31D	2	22190-120002	WASHER, SEAL 12	1	1	1	1				W
		(B=FROM 1ST) (C=FROM 1ST) (D=FROM 1ST)									
31E	2	X3A06144KA	CAP, FUEL OIL	1	1	1	1				W
		(B=FROM 1ST) (C=FROM 1ST) (D=FROM 1ST)									
31F	3	160393-55050	GASKET	1	1	1	1				W
		(B=FROM 1ST) (C=FROM 1ST) (D=FROM 1ST)									
31G	2	X3A06145KA	FILTER, FUEL	1	1	1	1				W
		(B=FROM 1ST) (C=FROM 1ST) (D=FROM 1ST)									
32	1	X3A06351KA	STRAINER ASSY	1	1	1	1				1
32A	2	X4A05896K01	O-RING, 1A S 45.0	1	1	1	1				W
		(B=FROM 1ST) (C=FROM 1ST) (D=FROM 1ST)									
33	1	X4A05895K01	NUT	3	3	3	3				1
35	1	X4A06131K01	GROMMET	8	8	8	8				1
36	1	X5M07598000	COLLAR	8	8	8	8				M
36-1	1	XM07598	COLLAR	8	8	8	8				1
38	1	X3A06873K00	HOSE, FUEL	1	1	1	1				1
39	2	X3A06355K	HOSE, FUEL	1	1	1	1				1
40	2	X4A05904K01	PIECE	1	1	1	1				1
41	2	X4A05957K01	CLIP, HOSE	1	1	1	1				1
42	1	X3A10539K01	HOSE	1	1	1	1				1
43	1	X3A10540K01	CLIP, HOSE	1	1	1	1				1
44	1	X3A10613K00	COVER ASSY	1	1	1	1				1
45	2	X3A10541K01	COVER	1	1	1	1				1
46	2	X3A10614K01	SHEET	2	2	2	2				1
47	1	X4A05957K01	CLIP, HOSE	2	2	2	2				1

N:Old $\frac{New}{100}$ New. Q:Old $\frac{New}{100}$ New. R:Old $\frac{New}{100}$ New. S:Old $\frac{New}{100}$ New. W:Add. Z:Discontinued. F:Interchangeable by set. K:Q'ty Change
Copyright (C) YANMAR CO., LTD. All Rights Reserved.

Fig.10. STARTING MOTOR & DYNAMO

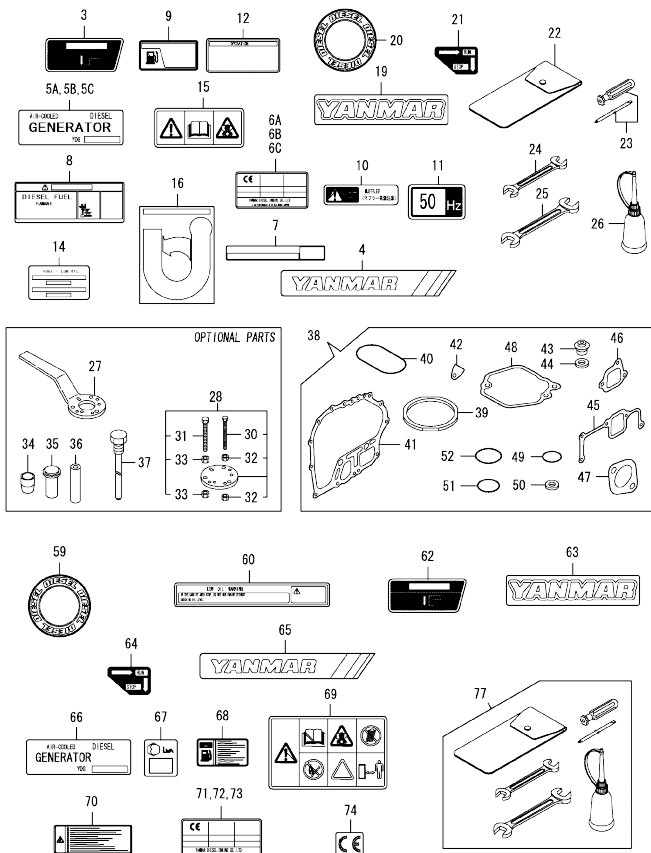


(A)=L100AE-DGY5B (D)=100AEDEGYT5B
 (B)=100AE-DEGY5B (E)=
 (C)=100AEDEGYT5B (F)=

No.	Lev.	Parts No.	Description	Qty						I	R
				(A)	(B)	(C)	(D)	(E)	(F)		
1	1	114362-77011	STARTER(HITACHI 12V	1	1	1					
2	2	114381-77110	ARMATURE	1	1	1					
3	2	X2114811000	WASHER KIT, THRUST	1	1	1					
4	2	X2114715500	STOPPER SET, PINION	1	1	1					
5	2	114381-77130	COIL ASSY, FIELD	1	1	1					
6	2	114381-77140	COVER, REAR	1	1	1					
7	2	114371-77160	HOLDER ASSY, BRUSH	1	1	1					
8	3	114371-79040	BRUSH (-)	2	2	2					
9	3	114371-79050	BRUSH (+)	1	1	1					
10	3	114371-79060	SPRING, BRUSH	4	4	4					
11	2	X211485016	PINION ASSY	1	1	1					
12	2	114381-77151	HOUSING ASSY, GEAR	1	1	1					
13	2	114371-77170	COVER KIT, DUST	1	1	1					
14	2	114371-77180	LEVER KIT, SHIFT	1	1	1					
15	2	X2114275010	SWITCH ASSY, MAGNET	1	1	1					
16	2	124195-77770	THROUGH BOLT	2	2	2					
17	2	114371-79070	BOLT M 6X 37	2	2	2					
18	2	X2114274200	COVER, TERMINAL	1	1	1					
19	1	160970-77350	RECTIFIER, ZR2117	1	1	1					
20	1	183350-77400	WIRE, LEAD	1	1	1					
21	1	26106-060122	BOLT, M6X 12 PLATED	1	1	1					
22	1	26106-100302	BOLT, M10X 30 PLATED	2	2	2					
23A	1	114351-78251	DYNAMO ASSY	1							
23B	1	183994-78250	DYNAMO ASSY			1	1				
24A	2	114351-78751	STATOR ASSY	1							
24B	2	183994-78750	STATOR ASSY			1	1				
25A	2	114351-78761	WHEEL, DYNAMO	1							
25B	2	183994-78760	WHEEL, DYNAMO			1	1				
26	1	160710-78710	CLAMP, CORD	1	1	1					
27	1	26476-060142	SCREW, TAPPING M6X14	1	1	1					
27-1	1	26106-060122	BOLT, M6X 12 PLATED (B=E-XXXX) (C=E-XXXX) (D=E-XXXX)	1	1	1					R
28	1	26476-060202	SCREW, TAPPING M6X20 (B=E-XXXX) (C=E-XXXX) (D=E-XXXX)	3	3	3					
28-1	1	26106-060202	BOLT, M6X 20 PLATED (B=E-XXXX) (C=E-XXXX) (D=E-XXXX)	3	3	3					R
29	1	26577-060142	SCREW M 6X 14	3	3	3					
30	1	26716-080002	NUT, M8 (B=E-XXXX) (C=E-XXXX) (D=E-XXXX)	1	1	1					W

OCS10-M36001

Fig.11. TOOLS,LABEL & GASKET SET



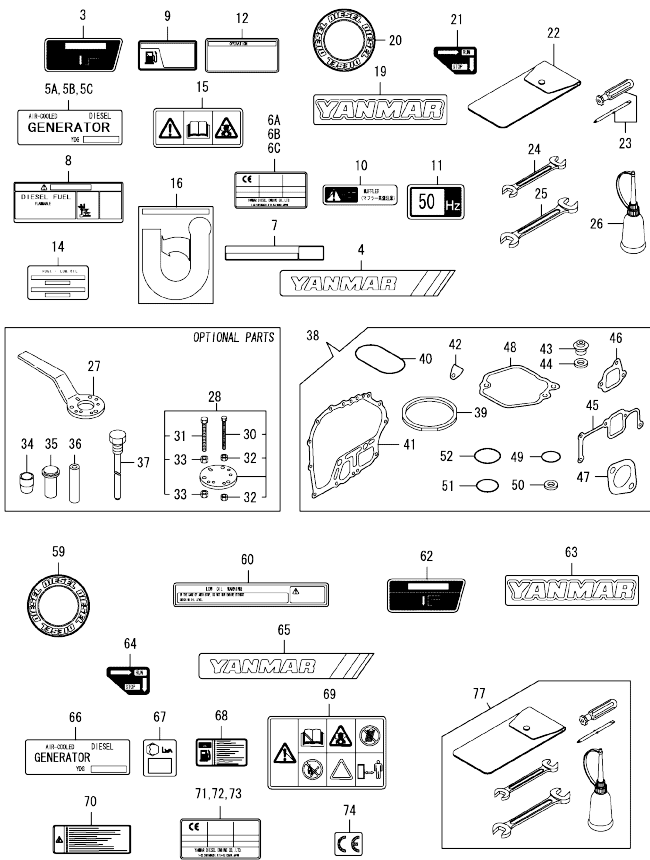
Remarks
 (1) OPTIONAL PART.
 (2) FOR YDG5500E-5EBG1,
 YDG6600TE-5EBG1/5EBN1.

No.	Lev.	Parts No.	Description	Q'ty						I	R
				(A)	(B)	(C)	(D)	(E)	(F)		
3	1	X3A06813K01	LABEL, MARK PLATE	1	1	1	1				
4	1	X3A06919K01	LABEL, MARK PLATE	1	1	1	1				
5A	1	X3A06920K05	MARK PLATE,GH	1							
5B	1	X3A06920K06	LABEL, MARK PLATE		1						
5C	1	X3A06920K07	MARK PLATE,GH			1	1				
6A	1	X3A06971K03	MARK PLATE,PW	1	1						
6B	1	X3A06971K04	MARK PLATE,PW				1				
6C	1	X3A06971K05	MARK PLATE,PW					1			
7	1	183251-07130	LABEL, OIL WARNING	1	1	1	1				
8	1	183251-07170	LABEL, CAUTION	1	1	1	1				
9	1	183251-07190	LABEL, DIESEL FUEL	1	1	1	1				
10	1	170001-07230	LABEL, MUFFLER CAUTIO	1	1	1	1				
11	1	183610-07230	LABEL, 50HZ	1	1	1	1				
12	1	183285-07300	LABEL, OPERATION	1	1	1	1				
14	1	183984-07090	LABEL, F.O./L.O.	1	1	1	1				
15	1	183634-07540	LABEL, CAUTION	1	1	1	1				
16	1	X3A06934K01	LABEL, MARK PLATE	1	1	1	1				
19	1	114250-07111	LABEL, YANMAR	1	1	1	1				
20	1	114261-07350	LABEL	1	1	1	1				
21	1	183250-07480	LABEL, RUN-STOP	1	1	1	1				
22	1	114250-92600	BAG, TOOL	1	1	1	1				
23	1	160330-92730	DRIVE, SCREW	1	1	1	1				
24	1	28110-100120	SPANNER, 10X12	1	1	1	1				
25	1	28110-140170	SPANNER, 14X17	1	1	1	1				
26	1	28210-000150	OILER	1	1	1	1				
27	1	114250-92101	F.W. LOCKING HANDLE	1	1	1	1				1
28	1	114250-92130	REMOVER, FLYWHEEL	1	1	1	1				1
30	2	26116-060454	BOLT M 6X 45 PLATED	4	4	4	4				1
31	2	26116-080454	BOLT, M8X 45 PLATED	3	3	3	3				1
32	2	26716-060002	NUT, M6	8	8	8	8				1
33	2	26716-080002	NUT, M8	6	6	6	6				1
34	1	114661-92300	GUIDE	1	1	1	1				1
35	1	114650-92310	INSTALLING TOOL	1	1	1	1				1
36	1	114650-92350	INSTALLING TOOL	1	1	1	1				1
37	1	183976-92350	TOOL, ROTOR REMOVER	1	1	1	1				1
38	1	783384-72601	GASKET SET	1	1	1	1				1
38-1	1	783384-92601	GASKET SET	1	1	1	1				R 1
		(A=E-XXXX) (B=E-XXXX) (C=E-XXXX) (D=E-XXXX)									
39	2	114970-01340	GASKET, HEAD	1	1	1	1				
40	2	114650-01380	O-RING	1	1	1	1				
41	2	114650-01412	GASKET, CRANK CASE	1	1	1	1				
42	2	114250-01841	GASKET	1	1	1	1				
43	2	114650-11340	SEAL, VALVE STEM	2	2	2	2				
44	2	114250-11460	GASKET, NOZZLE	1	1	1	1				
45	2	114650-12301	GASKET	1	1	1	1				
46	2	114650-12211	GASKET, AIR CLEANER	1	1	1	1				
47	2	114650-13201	GASKET, MUFFLER	1	1	1	1				
48	2	114650-11311	GASKET, BONNET	1	1	1	1				
49	2	24311-000180	O-RING, 1AP18.0	1	1	1	1				
49-1	2	114299-01950	O-RING, 18	1	1	1	1				R
		(A=E-XXXX) (B=E-XXXX) (C=E-XXXX) (D=E-XXXX)									

N:Old $\frac{New}{Old}$ New. Q:Old $\frac{New}{Old}$ New. R:Old $\frac{New}{Old}$ New. S:Old $\frac{New}{Old}$ New. W:Add. Z:Discontinued. F:Interchangeable by set. K:Qty Change
 ++ CONTINUE ++
 Copyright (C) YANMAR CO., LTD. All Rights Reserved.

OCS10-M36001

Fig.11. TOOLS,LABEL & GASKET SET

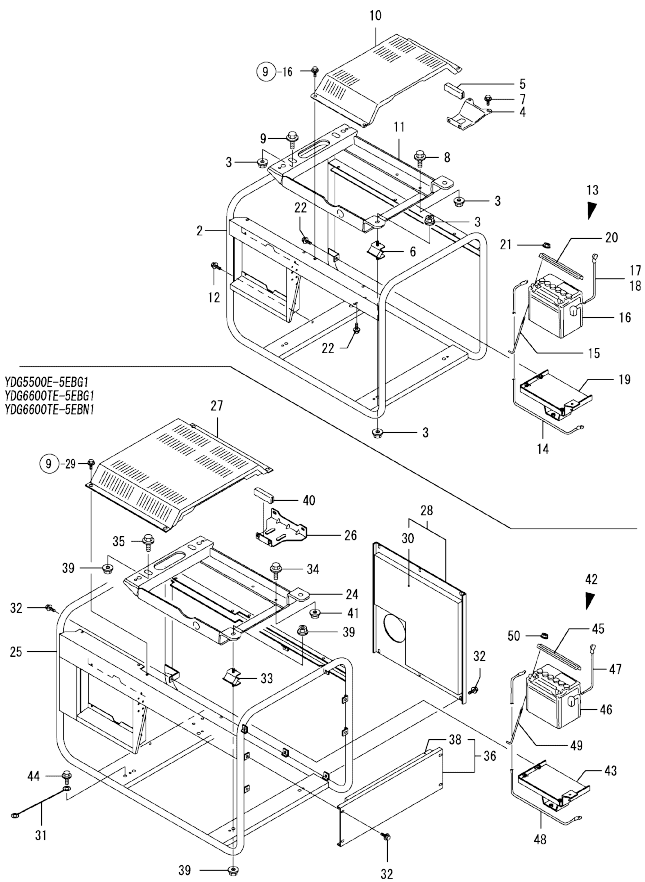


No.	Lev.	Parts No.	Description	Q'ty						I	R
				(A)	(B)	(C)	(D)	(E)	(F)		
50	2	22190-160002	WASHER, SEAL 16	2	2	2	2				
51	2	24341-000224	O-RING, 1AS22.4	1	1	1	1				
52	2	103338-32570	O-RING	1	1	1	1				
59	1	X3A06335K01	LABEL, MARK PLATE		1	1	1				2
60	1	X3A06344K01	LABEL, MARK PLATE		1	1	1				2
62	1	X3A06813K01	LABEL, MARK PLATE		1	1	1				2
63	1	X3A06857K01	LABEL, MARK PLATE		1	1	1				2
64	1	X3A06858K01	LABEL, MARK PLATE		1	1	1				2
65	1	X3A06919K01	LABEL, MARK PLATE		1	1	1				2
66	1	X3A06920K06	LABEL, MARK PLATE		1	1	1				2
67	1	X3A06970K02	LABEL, MARK PLATE		1	1	1				2
68	1	X3A09167K01	LABEL, MARK PLATE		1	1	1				2
69	1	X3A09168K01	LABEL, MARK PLATE		1	1	1				2
70	1	X3A09169K01	LABEL, MARK PLATE		1	1	1				2
71	1	X3A09170K03	LABEL, MARK PLATE		1						2
72	1	X3A09170K04	LABEL, MARK PLATE			1					2
73	1	X3A09170K05	LABEL, MARK PLATE				1				2
74	1	X3A10612K01	LABEL, MARK PLATE		1	1	1				2
77	1	X4A06180K00	TOOL SET		1	1	1				2

Remarks
 (1) OPTIONAL PART.
 (2) FOR YDG5500E-5EBG1,
 YDG6600TE-5EBG1/5EBN1.

N:Old $\frac{New}{Old}$ New, Q:Old $\frac{New}{Old}$ New, R:Old $\frac{New}{Old}$ New, S:Old $\frac{New}{Old}$ New, W:Add, Z:Discontinued, F:Interchangeable by set, K:Q'ty Change
 Copyright (C) YANMAR CO., LTD. All Rights Reserved.

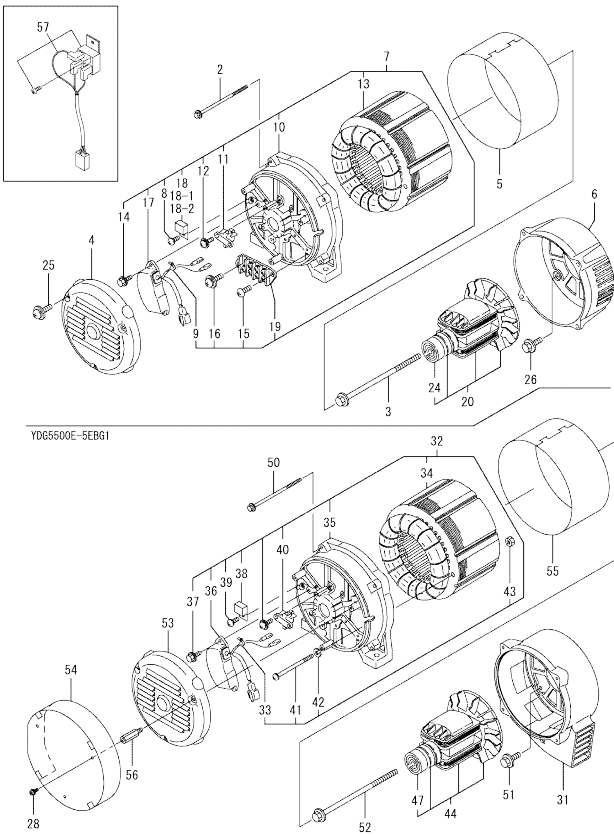
Fig.12. FRAME & BATTERY



Remarks
 (1) FOR YDG5500E-5EBG1,
 YDG6600TE-5EBG1/5EBN1.

No.	Lev.	Parts No.	Description	Q'ty						I	R
				(A)	(B)	(C)	(D)	(E)	(F)		
2	1	X1A02526KE0	FRAME	1	1	1	1				
3	1	X4A05719K02	NUT	16	16	16	16				
4	1	183350-08150	STOPPER	1	1	1	1				
5	1	183250-08160	RUBBER, STOPPER	1	1	1	1				
6	1	183279-08210	DAMPER	4	4	4	4				
7	1	26106-080162	BOLT, M8X 16 PLATED	2	2	2	2				
8	1	X3A06403K02	BOLT	2	2	2	2				
9	1	X3A06403K03	BOLT	2	2	2	2				
10	1	183884-08350-R	COVER, ENGINE	1	1	1	1				
11	1	183984-08240	STAY, DAMPER	1	1	1	1				
12	1	X3A06123K01	BOLT	1	1	1	1				
13	1	183955-79110	BATTERY CABLE, ASSY	1	1	1	1				
14	2	X3A06120K00	CORD ASSY	1	1	1	1				
15	2	X4A05899K01	BOLT, L198	2	2	2	2				
16	2	183976-79620	BATTERY ASSY, 38B20L	1	1	1	1				
17	2	183251-79550	CABLE (+)	1	1	1	1				
18	2	183985-79560	CABLE, +L=300	1	1	1	1				
19	2	183350-79610-1	BRACKET, BATTERY	1	1	1	1				
20	2	183350-79630	RETAINER, BATTERY	1	1	1	1				
21	2	26366-050002	NUT, M5	2	2	2	2				
22	1	26106-060102	BOLT, M6X 10 PLATED	3	3	3	3				
24	1	X1A02527K00	PLATE	1	1	1	1				1
25	1	X1A04177K00	FRAME	1	1	1	1				1
26	1	X2A08402K01	STOPPER	1	1	1	1				1
27	1	X2A08403K01	COVER, ENGINE	1	1	1	1				1
28	1	X2A08480K00	COVER ASSY	1	1	1	1				1
30	2	X2A08481K01	SHEET	1	1	1	1				1
31	1	X3A06120K00	CORD ASSY	1	1	1	1				1
32	1	X3A06123K01	BOLT	13	13	13	13				1
33	1	X3A06389K01	DAMPER	4	4	4	4				1
34	1	X3A06403K02	BOLT	4	4	4	4				1
35	1	X3A06403K03	BOLT	2	2	2	2				1
36	1	X3A10536K00	COVER ASSY	1	1	1	1				1
38	2	X3A10538K01	SHEET	1	1	1	1				1
39	1	X4A05719K02	NUT	10	10	10	10				1
40	1	X4A06082K01	CUSHION	1	1	1	1				1
41	1	X4A06183K01	NUT	4	4	4	4				1
42	1	183955-79120	CABLE ASSY, BATTERY	1	1	1	1				1
43	2	X2A05440K00	PLATE	1	1	1	1				1
44	2	X3A06123K04	BOLT	1	1	1	1				1
45	2	X3A06359K01	PIN	1	1	1	1				1
46	2	X3A06458K00	BATTERY	1	1	1	1				1
47	2	X3A06459K00	CORD, BATTERY	1	1	1	1				1
48	2	X3A06460K00	CORD, BATTERY	1	1	1	1				1
49	2	X4A05899K02	BOLT, L=208	2	2	2	2				1
50	2	X4A05900K01	NUT	2	2	2	2				1

Fig.13. GENERATOR (YDG5500E)



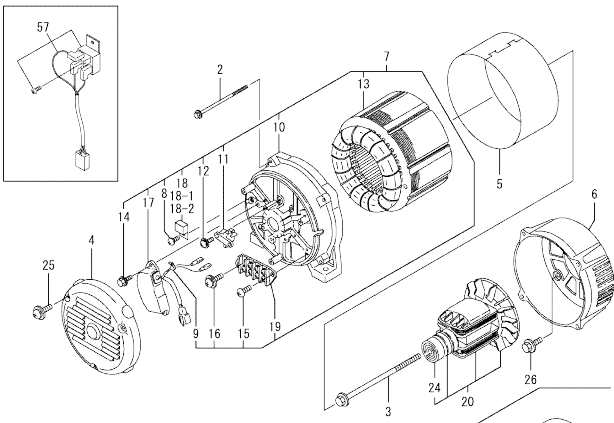
(A)=5500E-5BG
(B)=5500E-5EBG(1)
(C)=6600TE5EBG(1)
(D)=6600TE5EBN(1)
(E)=
(F)=

No.	Lev.	Parts No.	Description	Q'ty						I	R
				(A)	(B)	(C)	(D)	(E)	(F)		
2	1	X3A06121K07	BOLT, THROUGH	4	4						
3	1	X3A06125K08	BOLT	1	1						
4	1	X3A06461K01	COVER	1	1						
5	1	X4A02751K02	BAND	1	1						
6	1	183984-74150	COVER	1	1						
7	1	183984-74230	STATOR ASSY	1	1						
8	2	X4M47065000	SCREW, M5X10	1	1						
8-1	2	183387-74260	SCREW (A=EZZZZZ) (B=EZZZZZ)	1	1						N
9	2	X5M17382000	BAND	2	2						
10	2	183984-74250	COVER	1	1						
10-1	2	184120-74180	COVER (A=EZZZZZ) (B=EZZZZZ)	1	1						N
11	2	183250-74271	BRUSH ASSY	1	1						
11-1	2	183250-74272	BRUSH ASSY (A=EZZZZZ) (B=EZZZZZ)	1	1						N
12	2	183984-74280	SCREW	2	2						
13	2	183984-74320	STATOR	1	1						
13-1	2	183984-74321	STATOR (A=EZZZZZ) (B=EZZZZZ)	1	1						F 2
14	2	183820-74300	SCREW	2	2						
14-1	2	184110-74200	SCREW (A=EZZZZZ) (B=EZZZZZ)	2	2						N
15	2	183533-74380	SCREW, M4X20	2	2						
16	2	183984-74380	SCREW	8	8						
17	2	183731-74460	REGULATOR, VOLTAGE	1	1						
17-1	2	183731-74461	REGULATOR, VOLTAGE (A=EZZZZZ) (B=EZZZZZ)	1	1						N
17-2	2	183731-74462	REGULATOR, VOLTAGE (A=EZZZZZ) (B=EZZZZZ)	1	1						N
18	2	183210-74470	RECTIFIER	1	1						
18-1	2	183250-74460	RECTIFIER (A=EXXXXX) (B=EXXXXX)	1	1						N 3
18-2	2	183387-74250	RECTIFIER (A=EZZZZZ) (B=EZZZZZ)	1	1						S
19	2	183984-74490	TERMINAL	1	1						
20	1	183984-74350	ROTOR ASSY	1	1						
24	2	183984-74370	BEARING, 5M56156	1	1						
25	1	26023-040162	SCREW, M4X16	3	3						
26	1	26106-080252	BOLT, M8X 25 PLATED	4	4						
28	1	XYSNW400800	SCREW	3							1
31	1	X1A04178K00	COVER	1	1						1
32	1	X2A07493K00	STATOR ASSY	1	1						1
33	2	X5M17382000	BAND	1	1						1
34	2	X2A08397KA	STATOR	1	1						1
35	2	X2A03593KA	COVER	1	1						1
36	2	X2A00919KE	REGULATOR, VOLTAGE	1	1						1
37	2	X4M47068	SCREW	2	2						1
38	2	X4D91825	RECTIFIER	1	1						1
39	2	X4M47065	SCREW	1	1						1
40	2	X4M57342	BRUSH ASSY	1	1						1

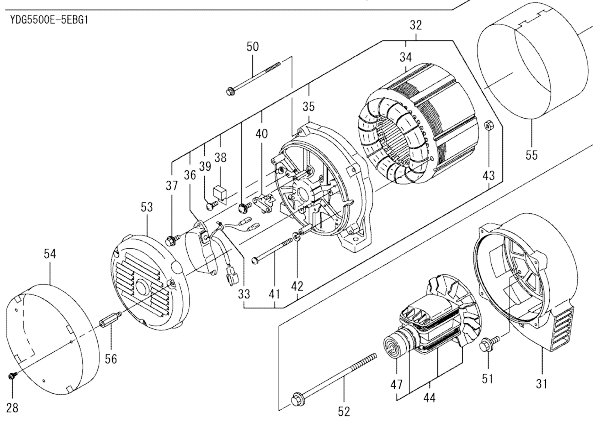
Remarks
(1)For YDG5500E-5EBG1.
(2)Interchangeable by simultaneous replacement with No.57.
(3)Interchangeable with No.57.

OCS10-M36001

Fig.13. GENERATOR (YDG5500E)



YD65500E-5EBG1



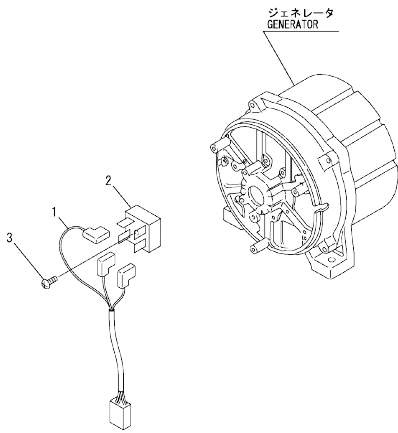
Remarks

- (1)For YDG5500E-5EBG1.
- (2)Interchangeable by simultaneous replacement with No.57.
- (3)Interchangeable with No.57.

(A)=5500E-5BG
(B)=5500E-5EBG(1)
(C)=6600TE5EBG(1)
(D)=6600TE5EBN(1)
(E)=
(F)=

No.	Lev.	Parts No.	Description	Q'ty						I	R	
				(A)	(B)	(C)	(D)	(E)	(F)			
41	2	X5M76111	SCREW		2						1	
42	2	XYWBS5013	WASHER, SPRING		2						1	
43	2	XYNRN5040	NUT		2						1	
44	1	X2A08398K00	ROTOR ASSY		1						1	
47	2	X5M56156	BEARING		1						1	
50	1	X3A06121K07	BOLT, THROUGH		4						1	
51	1	X3A06124K03	BOLT		4						1	
52	1	X3A06125K08	BOLT		1						1	
53	1	X3A06461K01	COVER		1						1	
54	1	X3A06947K01	COVER		1						1	
55	1	X4A02751K02	BAND		1						1	
56	1	X4A06143K01	BOLT		3						1	
57	1	184120-99100	RECTIFIER ASSY		1	1						W
(A)=2013.05) (B)=2013.05)												

Fig.23. (13A)RECTIFIER & HARNESS(SPARE PARTS)



(A)=5500E-5BG
 (B)=5500E-5EBG(1)
 (C)=6600TE5EBG(1)
 (D)=6600TE5EBN(1)
 (E)=
 (F)=

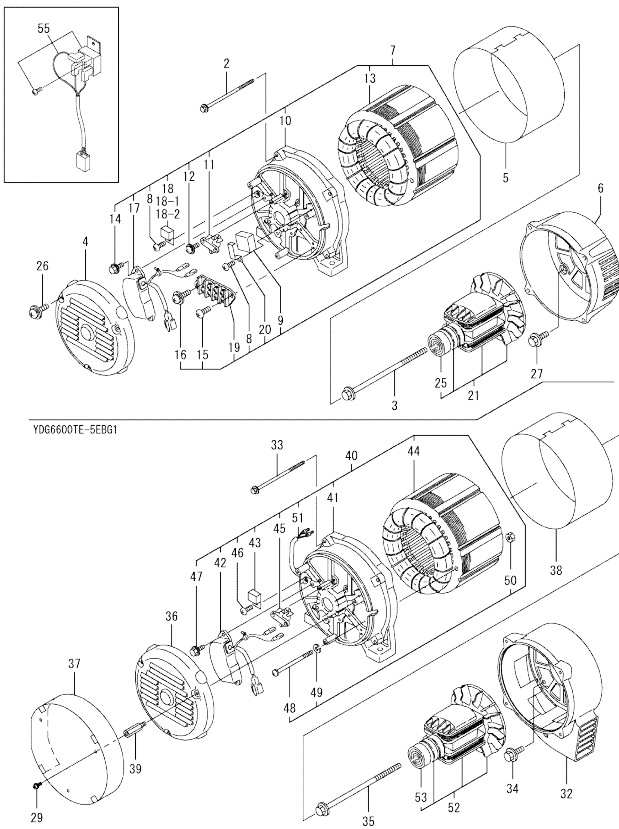
No.	Lev.	Parts No.	Description	Q'ty						I	R
				(A)	(B)	(C)	(D)	(E)	(F)		
1	1	184120-99200 (A=EZZZZZ)	HARNESS ASSY (B=EZZZZZ) (C=EZZZZZ) (D=EZZZZZ)	1	1	1	1			W	
2	1	183387-74250	RECTIFIER (B=EZZZZZ) (C=EZZZZZ) (D=EZZZZZ)	1	1	1	1			W	
3	1	183387-74260 (A=EZZZZZ)	SCREW (B=EZZZZZ) (C=EZZZZZ) (D=EZZZZZ)	1	1	1	1			W	

Remarks

*This FIG applies to machines equipped with the old rectifier and in which the parts (new rectifier/wire harness assy/screw) have been replaced individually.

OCS10-M36001

Fig.14. GENERATOR (YDG6600TE-5EBG(1))



YDG6600TE-5EBG1

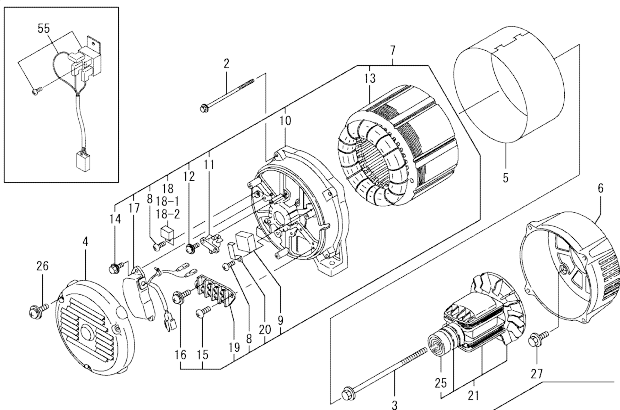
- Remarks
 (1)For YDG6600TE-5EBG1.
 (2)Interchangeable by simultaneous replacement with No.55.
 (3)Interchangeable with No.55.

No.	Lev.	Parts No.	Description	Q'ty						I	R
				(A)	(B)	(C)	(D)	(E)	(F)		
2	1	X3A06121K07	BOLT, THROUGH			4					
3	1	X3A06125K08	BOLT			1					
4	1	X3A06461K01	COVER			1					
5	1	X4A02751K02	BAND			1					
6	1	183984-74150	COVER			1					
7	1	183980-74231	STATOR ASSY			1					
8	2	X4M47065000	SCREW, M5X10			2					
8-1	2	183387-74260	SCREW (C=EZZZZZ)			1					N
9	2	183980-74580	CONDENSER			1					
10	2	183984-74250	COVER			1					
11	2	183250-74271	BRUSH ASSY			1					
11-1	2	183250-74272	BRUSH ASSY (C=EZZZZZ)			1					N
12	2	183984-74280	SCREW			2					
13	2	183980-74321	STATOR			1					
13-1	2	183980-74322	STATOR (C=EZZZZZ)			1					F 2
14	2	183820-74300	SCREW			2					
15	2	183533-74380	SCREW, M4X20			2					
16	2	183984-74380	SCREW			8					
17	2	183980-74481	REGULATOR, VOLTAGE			1					
17-1	2	183980-74483	REGULATOR, VOLTAGE (C=EA0584)			1					N
18	2	183210-74470	RECTIFIER			1					
18-1	2	183250-74460	RECTIFIER (C=EXXXXX)			1					N 3
18-2	2	183387-74250	RECTIFIER (C=EZZZZZ)			1					S
19	2	183984-74490	TERMINAL			1					
20	2	183980-74590	BAND			2					
20-1	2	183980-74590	BAND (C=EXXXXX)			1					K
21	1	183984-74350	ROTOR ASSY			1					
25	2	183984-74370	BEARING, 5M56156			1					
26	1	26023-040162	SCREW, M4X16			3					
27	1	26106-080252	BOLT, M8X 25 PLATED			4					
29	1	XYSNW400800	SCREW			3					1
32	1	X1A04178K00	COVER			1					1
33	1	X3A06121K07	BOLT, THROUGH			4					1
34	1	X3A06124K03	BOLT			4					1
35	1	X3A06125K08	BOLT			1					1
36	1	X3A06461K01	COVER			1					1
37	1	X3A06947K01	COVER			1					1
38	1	X4A02751K02	BAND			1					1
39	1	X4A06143K01	BOLT			3					1
40	1	183951-74270	STATOR ASSY			1					1
41	2	183984-74250	COVER			1					1
42	2	183980-74483	REGULATOR, VOLTAGE			1					1
43	2	183210-74470	RECTIFIER			1					1
44	2	X2A08800KA	STATOR			1					1

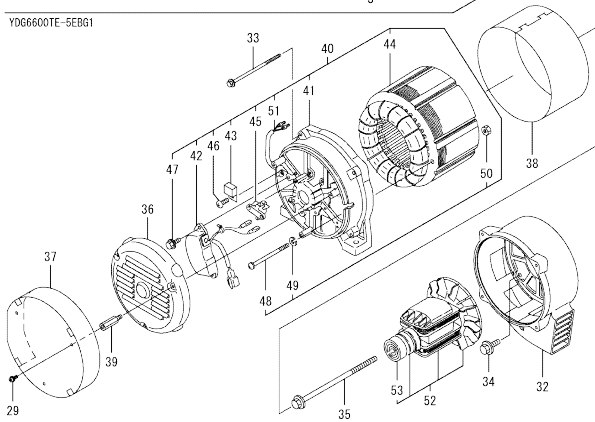
N:Old $\frac{New}{Old}$ New. Q:Old $\frac{New}{Old}$ New. R:Old $\frac{New}{Old}$ New. S:Old $\frac{New}{Old}$ New. W:Add. Z:Discontinued. F:Interchangeable by set. K:Q'ty Change
 ++ CONTINUE ++
 Copyright (C) YANMAR CO., LTD. All Rights Reserved.

OCS10-M36001

Fig.14. GENERATOR (YDG6600TE-5EBG(1))



YDG6600TE-5EBG1



(A)=5500E-5BG (D)=6600TE5EBN(1)
 (B)=5500E-5EBG(1) (E)=
 (C)=6600TE5EBG(1) (F)=

No.	Lev.	Parts No.	Description	Q'ty						I	R
				(A)	(B)	(C)	(D)	(E)	(F)		
45	2	183250-74271	BRUSH ASSY			1					1
46	2	183620-74310	SCREW			1					1
47	2	183820-74300	SCREW			2					1
48	2	X4A08815K01	SCREW			2					1
49	2	XYWBS5013	WASHER, SPRING			2					1
50	2	XYNRN5040	NUT			2					1
51	2	183980-74900	HARNES, WIRE			1					1
52	1	183951-74300	ROTOR ASSY			1					1
53	2	183984-74370	BEARING, 5M56156			1					1
55	1	184120-99100	RECTIFIER ASSY (C=2013.05)			1					W

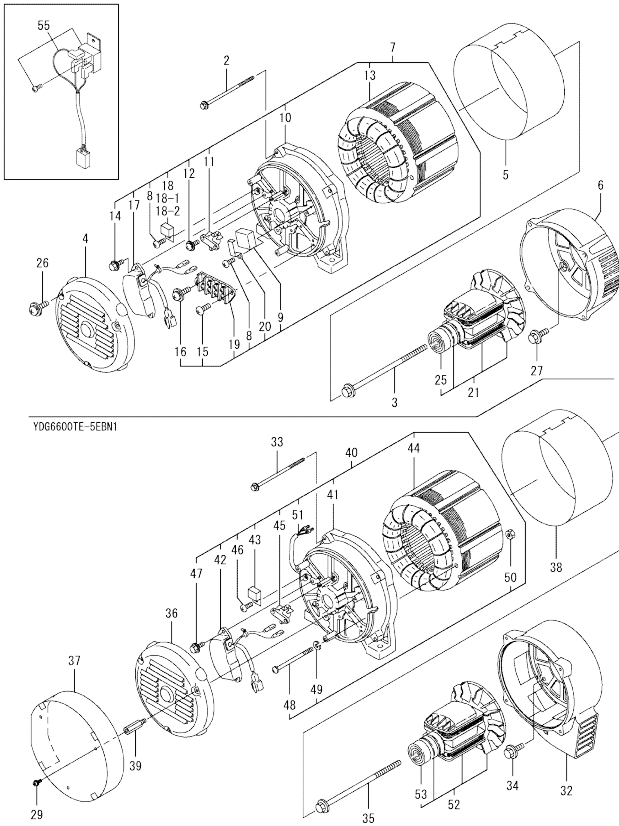
Remarks

- (1)For YDG6600TE-5EBG1.
- (2)Interchangeable by simultaneous replacement with No.55.
- (3)Interchangeable with No.55.

N:Old $\frac{100}{100}$ New, Q:Old $\frac{100}{100}$ New, R:Old $\frac{100}{100}$ New, S:Old $\frac{100}{100}$ New, W:Add, Z:Discontinued, F:Interchangeable by set, K:Q'ty Change
 Copyright (C) YANMAR CO., LTD. All Rights Reserved.

OCS10-M36001

Fig.15. GENERATOR (YDG6600TE-5EBN(1))



(A)=5500E-5BG (D)=6600TE5EBN(1)
 (B)=5500E-5EBG(1) (E)=
 (C)=6600TE5EBG(1) (F)=

No.	Lev.	Parts No.	Description	Q'ty						I	R
				(A)	(B)	(C)	(D)	(E)	(F)		
2	1	X3A06121K07	BOLT, THROUGH				4				
3	1	X3A06125K08	BOLT				1				
4	1	X3A06461K01	COVER				1				
5	1	X4A02751K02	BAND				1				
6	1	183984-74150	COVER				1				
7	1	183980-74221	STATOR ASSY				1				
8	2	X4M47065000	SCREW, M5X10				2				
8-1	2	183387-74260	SCREW				1				N
			(D=EZZZZZ)								
9	2	183980-74580	CONDENSER				1				
10	2	183984-74250	COVER				1				
11	2	183250-74271	BRUSH ASSY				1				
11-1	2	183250-74272	BRUSH ASSY				1				N
			(D=EZZZZZ)								
12	2	183984-74280	SCREW				2				
13	2	183980-74311	STATOR				1				
13-1	2	183980-74312	STATOR				1				F 2
			(D=EZZZZZ)								
14	2	183820-74300	SCREW				2				
15	2	183533-74380	SCREW, M4X20				2				
16	2	183984-74380	SCREW				8				
17	2	183980-74471	REGULATOR, VOLTAGE				1				
17-1	2	183980-74473	REGULATOR, VOLTAGE				1				N
			(D=EA05497)								
17-2	2	183980-74474	REGULATOR, VOLTAGE				1				N
			(D=EZZZZZ)								
18	2	183210-74470	RECTIFIER				1				
18-1	2	183250-74460	RECTIFIER				1				N 3
			(D=EXXXXX)								
18-2	2	183387-74250	RECTIFIER				1				S
			(D=EZZZZZ)								
19	2	183984-74490	TERMINAL				1				
20	2	183980-74590	BAND				1				
21	1	183984-74350	ROTOR ASSY				1				
25	2	183984-74370	BEARING, 5M56156				1				
26	1	26023-040162	SCREW, M4X16				3				
27	1	26106-080252	BOLT, M8X 25 PLATED				4				
29	1	XYSNW400800	SCREW				3				1
32	1	X1A04178K00	COVER				1				1
33	1	X3A06121K07	BOLT, THROUGH				4				1
34	1	X3A06124K03	BOLT				4				1
35	1	X3A06125K08	BOLT				1				1
36	1	X3A06461K01	COVER				1				1
37	1	X3A06947K01	COVER				1				1
38	1	X4A02751K02	BAND				1				1
39	1	X4A06143K01	BOLT				3				1
40	1	183951-74280	STATOR ASSY				1				1
41	2	183984-74250	COVER				1				1
42	2	183980-74451	REGULATOR, VOLTAGE				1				1
43	2	183210-74470	RECTIFIER				1				1
44	2	X2A08801KA	STATOR				1				1

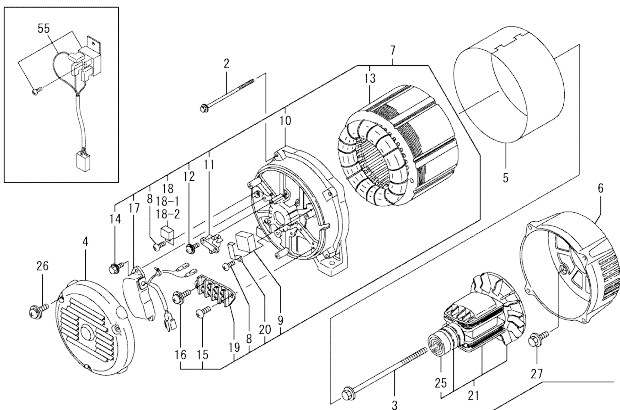
Remarks

- (1)For YDG6600TE-5EBN1.
- (2)Interchangeable by simultaneous replacement with No.55.
- (3)Interchangeable with No.55.

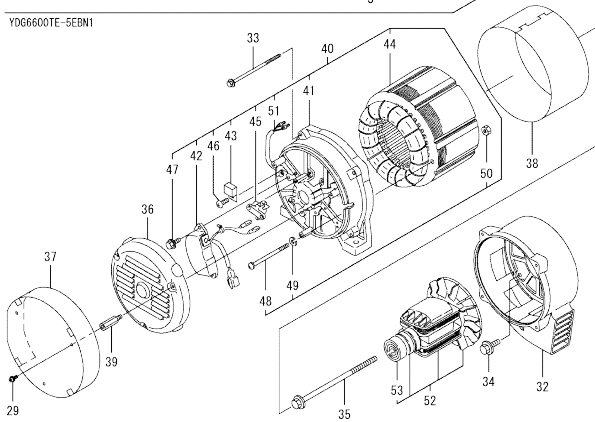
N:Old $\frac{100}{100}$ New. Q:Old $\frac{100}{100}$ New. R:Old $\frac{100}{100}$ New. S:Old $\frac{100}{100}$ New. W:Add. Z:Discontinued. F:Interchangeable by set. K:Q'ty Change
 ++ CONTINUE ++
 Copyright (C) YANMAR CO., LTD. All Rights Reserved.

OCS10-M36001

Fig.15. GENERATOR (YDG6600TE-5EBN(1))



YDG6600TE-5EBN1



Remarks

- (1)For YDG6600TE-5EBN1.
- (2)Interchangeable by simultaneous replacement with No.55.
- (3)Interchangeable with No.55.

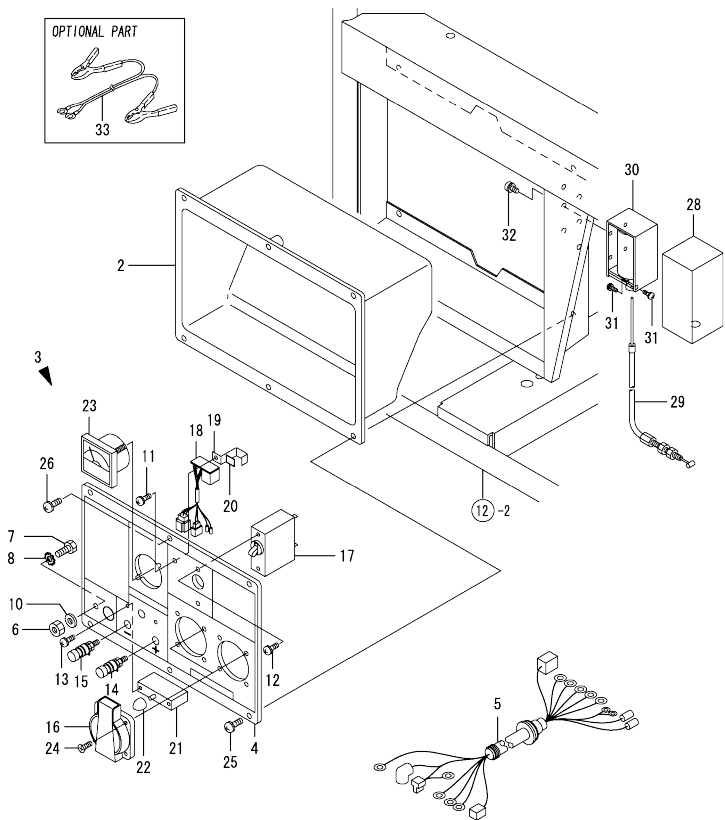
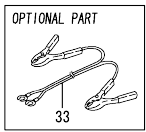
(A)=5500E-5BG (D)=6600TE5EBN(1)
 (B)=5500E-5EBG(1) (E)=
 (C)=6600TE5EBG(1) (F)=

No.	Lev.	Parts No.	Description	Q'ty						I	R
				(A)	(B)	(C)	(D)	(E)	(F)		
45	2	183250-74271	BRUSH ASSY				1				1
46	2	183620-74310	SCREW				1				1
47	2	183820-74300	SCREW				2				1
48	2	X4A08815K01	SCREW				2				1
49	2	XYWBS5013	WASHER, SPRING				2				1
50	2	XYNRN5040	NUT				2				1
51	2	183980-74900	HARNES, WIRE				1				1
52	1	183951-74300	ROTOR ASSY				1				1
53	2	183984-74370	BEARING, 5M56156				1				1
55	1	184120-99100	RECTIFIER ASSY				1				W

(D=*2013.05)

OCS10-M36001

Fig.16. PANEL (YDG5500E-5BG)



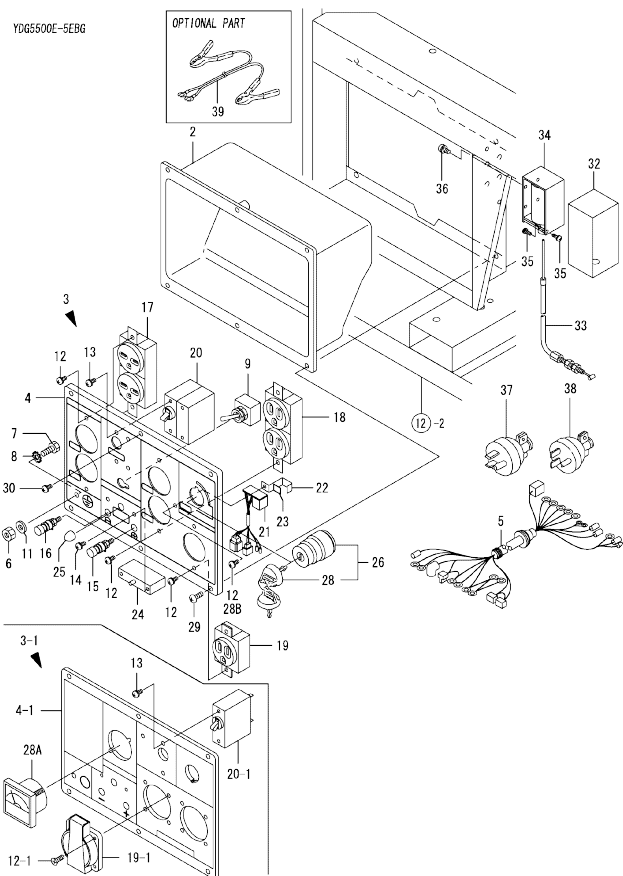
(A)=5500E-5BG (D)=6600TE5EBN(1)
 (B)=5500E-5EBG(1) (E)=
 (C)=6600TE5EBG(1) (F)=

No.	Lev.	Parts No.	Description	Q'ty						I	R
				(A)	(B)	(C)	(D)	(E)	(F)		
2	1	X1A02279K01	BOX	1							
3	1	X1A02621KB0	PANEL ASSY	1							
4	2	X2A05473KA0	PANEL	1							
5	2	X2A05411KA0	HARNESS, WIRE	1							
6	2	X4A02757K01	NUT	1							
7	2	X4A05872K01	BOLT	1							
8	2	X4A05873K01	WASHER	1							
9	2	X4M57215000	CLAMP	1							2
10	2	183350-55130	WASHER	1							
11	2	183976-91080	SCREW, M4X10	1							
12	2	183976-91090	SCREW, M3X5	4							
13	2	183976-91090	SCREW, M3X5	2							
14	2	183211-91160	TERMINAL	1							
15	2	183211-91170	TERMINAL	1							
16	2	183625-91320	SOCKET, AC	2							
17	2	X3A06295K04	BREAKER, AC 20A	1							
18	2	183284-91600	RELAY ASSY	1							
19	2	183284-91680	HOLDER	1							
20	2	183284-91690	CUSHION	1							
21	2	183284-96310	BREAKER, DC	1							
22	2	183284-96320	CAP. BREAKER	1							
23	2	X3A06289K03	VOLTMETER, 230V	1							
23-1	2	X3A08407K03	VOLTMETER, 230V	1							R
(A=E000)											
24	2	183284-91080	SCREW, M4X12	8							
25	1	X4A01031K01	SCREW	4							
26	1	X4A05871K01	SCREW	2							
28	1	183250-66410	COVER	1							
29	1	183984-66420	WIRE	1							
30	1	183972-91690	SOLENOID	1							
31	1	26022-040082	SCREW, M4X 8	2							
32	1	26023-030082	SCREW, M3X 8	4							
33	1	183211-91880	CABLE, CHARGING	1							1

Remarks
 (1) OPTIONAL PART.
 (2) NOT ILLUSTRATED.

N:Old $\frac{New}{Old}$ New. Q:Old $\frac{New}{Old}$ New. R:Old $\frac{New}{Old}$ New. S:Old $\frac{New}{Old}$ New. W:Add. Z:Discontinued. F:Interchangeable by set. K:Q'ty Change
 Copyright (C) YANMAR CO., LTD. All Rights Reserved.

Fig.17. PANEL (YDG5500E-5EBG)



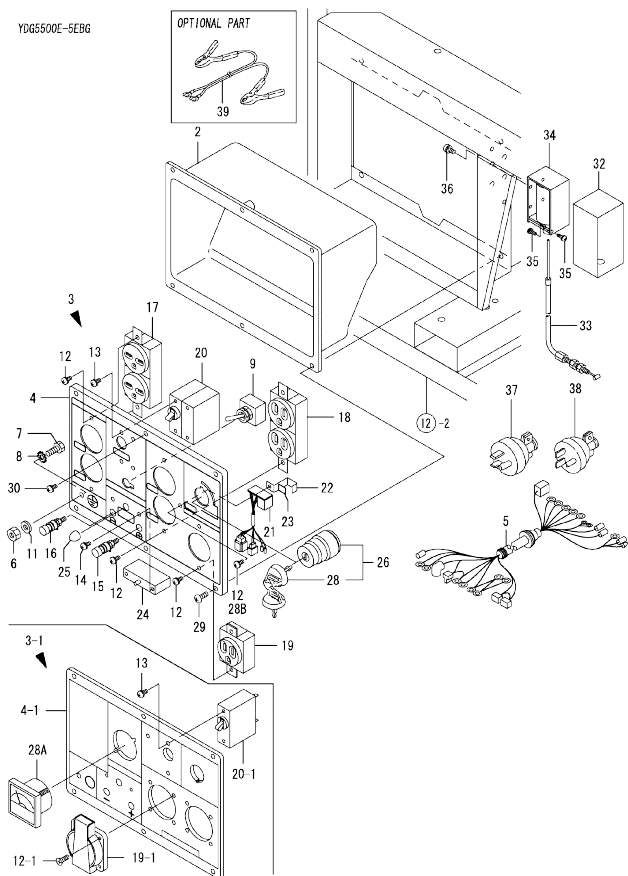
Remarks
 (1) OPTIONAL PART.
 (2) NOT ILLUSTRATED.

No.	Lev.	Parts No.	Description	Q'ty						I	R
				(A)	(B)	(C)	(D)	(E)	(F)		
2	1	X1A02279K01	BOX		1						
3	1	X1A02585KC0	PANEL ASSY		1						
3-1	1	X1A02622KB0	PANEL ASSY		1						N
		(B=EXXX)									
4	2	X2A05318KA0	PANEL		1						
4-1	2	X2A05474KA0	PANEL		1						S
		(B=EXXX)									
5	2	X2A05412KA0	HARNES, WIRE		1						
6	2	X4A02757K01	NUT		1						
7	2	X4A05872K01	BOLT		1						
8	2	X4A05873K01	WASHER		1						
9	2	X4A06014K01	SWITCH		1						Z
		(B=EXXX)									
10	2	X4M57215000	CLAMP		1						2
11	2	183350-55130	WASHER		1						
12	2	183976-91080	SCREW, M4X10		7						
12-1	2	183284-91080	SCREW, M4X12		8						N
		(B=EXXX)									
13	2	183976-91090	SCREW, M3X5		4						
14	2	183976-91090	SCREW, M3X5		2						
15	2	183211-91160	TERMINAL		1						
16	2	183211-91170	TERMINAL		1						
17	2	183920-91310	PLUG SOCKET(250V X 2		1						Z
		(B=EXXX)									
18	2	183920-91320	SOCKET, 125VX2		1						Z
		(B=EXXX)									
19	2	183289-91370	SOCKET, 125V15AP44.5		1						
19-1	2	183625-91320	SOCKET, AC		2						S
		(B=EXXX)									
20	2	183984-91530	BREAKER, AC 19A		1						
20-1	2	X3A06295K04	BREAKER, AC 20A		1						S
		(B=EXXX)									
21	2	183284-91600	RELAY ASSY		1						
22	2	183284-91680	HOLDER		1						
23	2	183284-91690	CUSHION		1						
24	2	183284-96310	BREAKER, DC		1						
25	2	183284-96320	CAP. BREAKER		1						
26	2	183920-91450	SWITCH ASSY, KEY		1						
28	3	183920-91280	KEY, STARTER SWITCH		1						
28A	2	X3A06289K03	VOLTMETER, 230V		1						W
		(B=EXXX)									
28A-1	2	X3A08407K03	VOLTMETER, 230V		1						R
		(B=EXXX)									
28B	2	183976-91080	SCREW, M4X10		1						W
		(B=FROM 1ST)									
29	1	X4A01031K01	SCREW		4						
30	1	X4A05871K01	SCREW		2						
32	1	183250-66410	COVER		1						
33	1	183984-66420	WIRE		1						
34	1	183972-91690	SOLENOID		1						
35	1	26022-040082	SCREW, M4X 8		2						

N:Old $\frac{New}{Old}$ New, Q:Old $\frac{New}{Old}$ New, R:Old $\frac{New}{Old}$ New, S:Old $\frac{New}{Old}$ New, W:Add, Z:Discontinued, F:Interchangeable by set, K:Q'ty Change
 ++ CONTINUE ++
 Copyright (C) YANMAR CO., LTD. All Rights Reserved.

OCS10-M36001

Fig.17. PANEL (YDG5500E-5EBG)



(A)=5500E-5BG
 (B)=5500E-5EBG(1)
 (C)=6600TE5EBG(1)
 (D)=6600TE5EBN(1)
 (E)=
 (F)=

No.	Lev.	Parts No.	Description	Q'ty						I	R
				(A)	(B)	(C)	(D)	(E)	(F)		
36	1	26023-030082	SCREW, M3X 8		4						
37	1	183720-91750 (B=E-XXXX)	PLUG, 125VX15A		3						Z
38	1	183720-91760 (B=E-XXXX)	PLUG 250VX15A		2						Z
39	1	183211-91880	CABLE, CHARGING		1						1

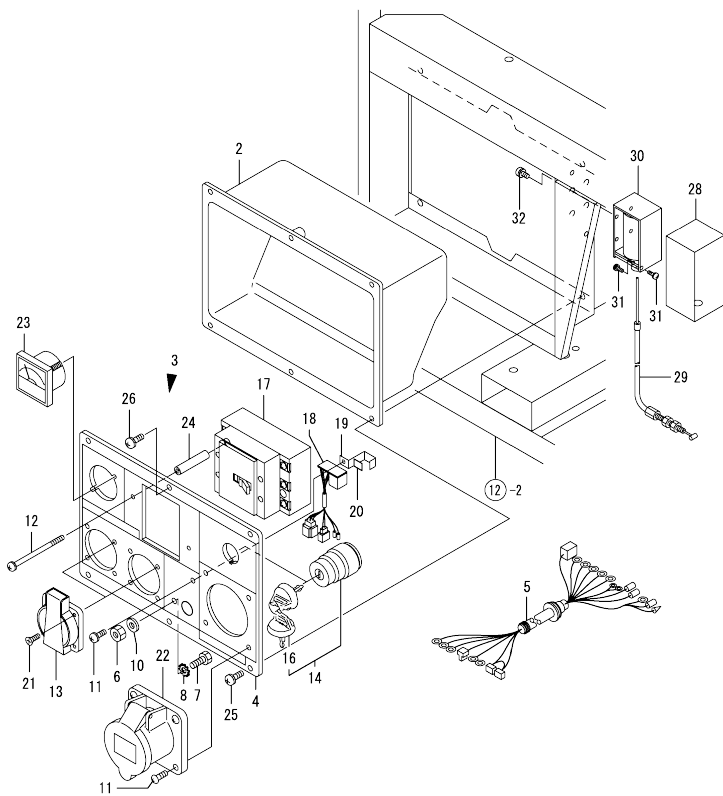
Remarks
 (1) OPTIONAL PART.
 (2) NOT ILLUSTRATED.

N:Old $\frac{New}{Old}$ New. Q:Old $\frac{New}{Old}$ New. R:Old $\frac{New}{Old}$ New. S:Old $\frac{New}{Old}$ New. W:Add. Z:Discontinued. F:Interchangeable by set. K:Q'ty Change
 Copyright (C) YANMAR CO., LTD. All Rights Reserved.

OCS10-M36001

Fig.18. PANEL (YDG6600TE-5EBG)

YDG6600TE-5EBG



(A)=5500E-5BG
(B)=5500E-5EBG(1)
(C)=6600TE5EBG(1)
(D)=6600TE5EBN(1)
(E)=
(F)=

No.	Lev.	Parts No.	Description	Q'ty						I	R	
				(A)	(B)	(C)	(D)	(E)	(F)			
2	1	X1A02279K01	BOX									
3	1	X1A02623KA0	PANEL ASSY									
4	2	X2A05475KA0	PANEL									
5	2	X2A05472KA0	HARNESS, WIRE									
6	2	X4A02757K01	NUT									
7	2	X4A05872K01	BOLT									
8	2	X4A05873K01	WASHER									
9	2	X4M57215000	CLAMP									1
10	2	183350-55130	WASHER									
11	2	183976-91080	SCREW, M4X10									
12	2	183980-91670	SCREW, M4X60									
12-1	2	183976-91090	SCREW, M3X5									S
			(C=EXXX)									
13	2	183625-91320	SOCKET, AC									
14	2	183920-91450	SWITCH ASSY, KEY									
16	3	183920-91280	KEY, STARTER SWITCH									
17	2	183980-91650	BREAKER, AC 8A									
18	2	183284-91600	RELAY ASSY									
19	2	183284-91680	HOLDER									
20	2	183284-91690	CUSHION									
21	2	183284-91080	SCREW, M4X12									
22	2	183980-91270	SOCKET, AC									
23	2	183980-91280	VOLTMETER, 500V									
24	2	183980-91660	SPACER									Z
			(C=EXXX)									
25	1	X4A01031K01	SCREW									
26	1	X4A05871K01	SCREW									
28	1	183250-66410	COVER									
29	1	183984-66420	WIRE									
30	1	183972-91690	SOLENOID									
31	1	26022-040082	SCREW, M4X 8									
32	1	26023-030082	SCREW, M3X 8									

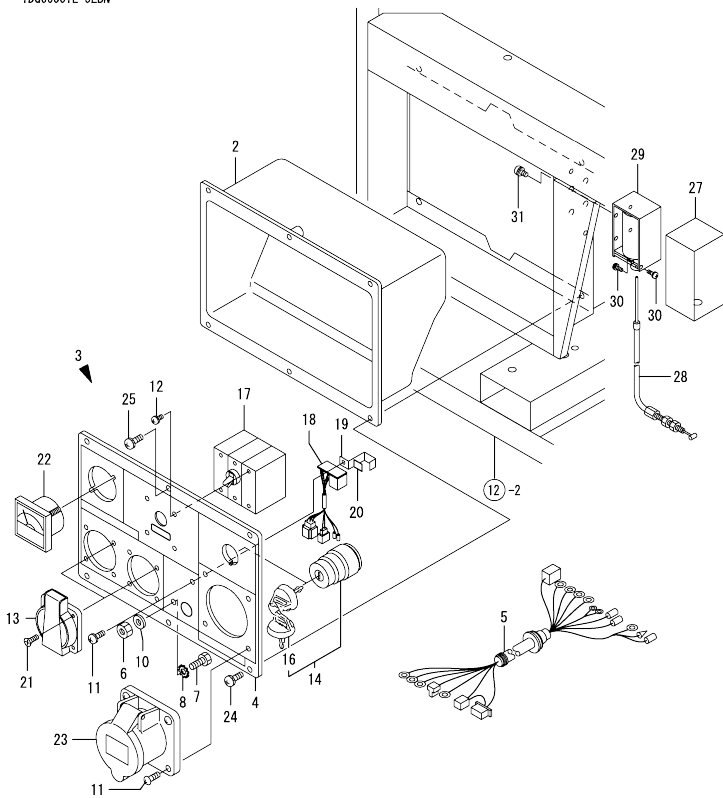
Remarks
(1) NOT ILLUSTRATED.

N:Old $\frac{100}{100}$ New, Q:Old $\frac{100}{100}$ New, R:Old $\frac{100}{100}$ New, S:Old $\frac{100}{100}$ New, W:Add, Z:Discontinued, F:Interchangeable by set, K:Qty Change
Copyright (C) YANMAR CO., LTD. All Rights Reserved.

OCS10-M36001

Fig.19. PANEL (YDG6600TE-5EBN)

YDG6600TE-5EBN



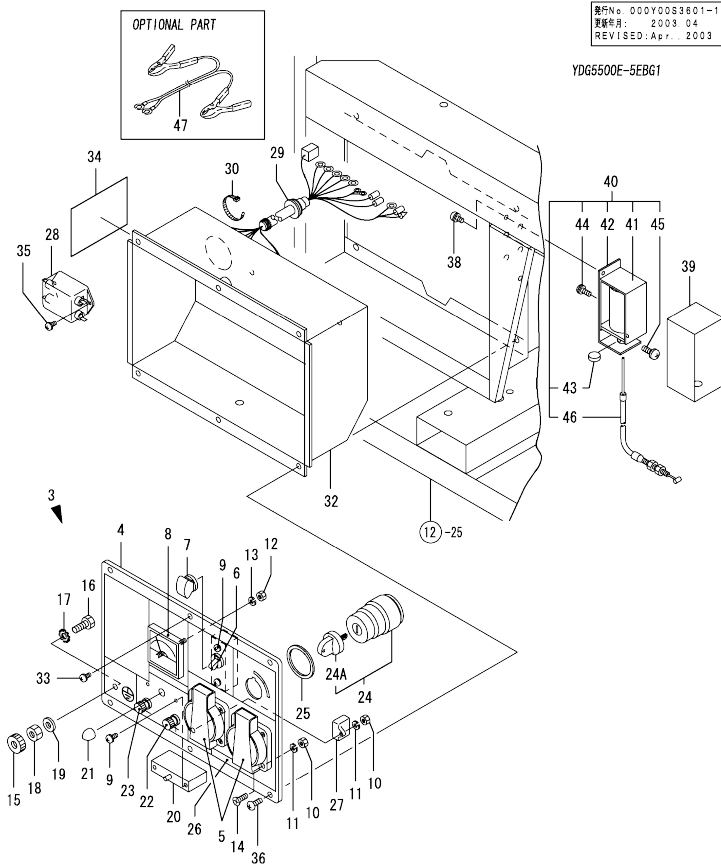
(A)=5500E-5BG (D)=6600TE5EBN(1)
 (B)=5500E-5EBG(1) (E)=
 (C)=6600TE5EBG(1) (F)=

No.	Lev.	Parts No.	Description	Qty						I	R
				(A)	(B)	(C)	(D)	(E)	(F)		
2	1	X1A02279K01	BOX				1				
3	1	X1A02653KA0	PANEL ASSY				1				
4	2	X2A05479KA0	PANEL				1				
5	2	X2A05549KA0	HARNESS, WIRE				1				
6	2	X4A02757K01	NUT				1				
7	2	X4A05872K01	BOLT				1				
8	2	X4A05873K01	WASHER				1				
9	2	X4M57215000	CLAMP				1				1
10	2	183350-55130	WASHER				1				
11	2	183976-91080	SCREW, M4X10				5				
12	2	183976-91090	SCREW, M3X5				4				
12-1	2	183976-91090	SCREW, M3X5				2				K
			(D=EXXX)								
13	2	183625-91320	SOCKET, AC				2				
14	2	183920-91450	SWITCH ASSY, KEY				1				
16	3	183920-91280	KEY, STARTER SWITCH				1				
17	2	183980-91680	BREAKER, AC 14A				1				
18	2	183284-91600	RELAY ASSY				1				
19	2	183284-91680	HOLDER				1				
20	2	183284-91690	CUSHION				1				
21	2	183284-91080	SCREW, M4X12				8				
22	2	183731-91290	VOLTMETER, 115/230V				1				
22-1	2	X3A08407K03	VOLTMETER, 230V				1				R
			(D=EXXX)								
23	2	183980-91290	SOCKET, AC 220V				1				
24	1	X4A01031K01	SCREW				4				
25	1	X4A05871K01	SCREW				2				
27	1	183250-66410	COVER				1				
28	1	183984-66420	WIRE				1				
29	1	183972-91690	SOLENOID				1				
30	1	26022-040082	SCREW, M4X 8				2				
31	1	26023-030082	SCREW, M3X 8				4				

Remarks
 (1) NOT ILLUSTRATED.

N:Old $\frac{100}{100}$ New, Q:Old $\frac{100}{100}$ New, R:Old $\frac{100}{100}$ New, S:Old $\frac{100}{100}$ New, W:Add, Z:Discontinued, F:Interchangeable by set, K:Qty Change
 Copyright (C) YANMAR CO., LTD. All Rights Reserved.

Fig.20. PANEL (YDG5500E-5EBG1)



(A)=5500E-5BG
(B)=5500E-5EBG(1)
(C)=6600TE5EBG(1)
(D)=6600TE5EBN(1)
(E)=
(F)=

No.	Lev.	Parts No.	Description	Q'ty						I	R
				(A)	(B)	(C)	(D)	(E)	(F)		
3	1	X1A04171KA	PANEL ASSY	1							
4	2	X2A05474KA	PANEL	1							
5	2	X4A05887K01	RECEPTACLE	2							
6	2	X3A06295K04	BREAKER, AC 20A	1							
7	2	X3A06757K01	CAP. BREAKER	1							
8	2	X3A08407K03	VOLTMETER, 230V	1							
9	2	X4A05875K02	SCREW, M3X5	4							
10	2	XYNRM4032	NUT	8							
11	2	XYWBS4010	WASHER, SPRING	10							
12	2	XYNRM3024	NUT	2							
13	2	XYWBS3007	WASHER, SPRING	2							
14	2	X4A06142K01	SCREW, M4X16	8							
15	2	X4A02757K02	NUT	1							
16	2	X4A02756K01	BOLT, M6X30	1							
17	2	X4A05873K01	WASHER	1							
18	2	XYNRG6050	NUT	1							
19	2	XYWKF6016	WASHER	1							
20	2	X4M18782	BREAKER, 125V-12A	1							
21	2	X3A05847K01	CAP	1							
22	2	X4A02595K01	TERMINAL	1							
23	2	X4A02596K01	TERMINAL	1							
24	2	X3M71468	SWITCH, KEY	1							
24A	3	XM71468A	KEY	1							W
				(B=FROM 1ST)							
25	2	X4M37952	WASHER	1							
26	2	X3A06290K19	LABEL	1							
27	2	X4A07550K01	CONDENSER	1							
28	2	X3A10527K01	FILTER, NOISE	1							
28-1	2	183955-91900	FILTER, NOISE	1							R
				(B=FROM 1ST)							
29	2	X2A08378KA	HARNES, WIRE	1							
30	2	X5M17382	BAND	6							
32	1	X1A03637KA	BOX	1							
33	1	X4A01031K02	SCREW	2							
34	1	X3A06331K01	LABEL HZ	1							
35	1	XYSPS4008	SCREW	2							
36	1	X4A01031K01	SCREW	4							
38	1	XYSNP400800	SCREW	2							
39	1	X3A06353K01	BOOT	1							
40	1	X3A07264K00	SOLENOID ASSY	1							
41	2	X3M08708	SOLENOID	1							
42	2	X3A07265KA	PLATE	1							
43	2	X5M06441	PLATE	1							
44	2	XYSNW3008	SCREW	4							
45	2	XYSNS4008	SCREW M 4	2							
46	2	X3A6352K05	WIRE	1							
47	1	183211-91880	CABLE, CHARGING	1							1

Remarks
(1) OPTIONAL PART.

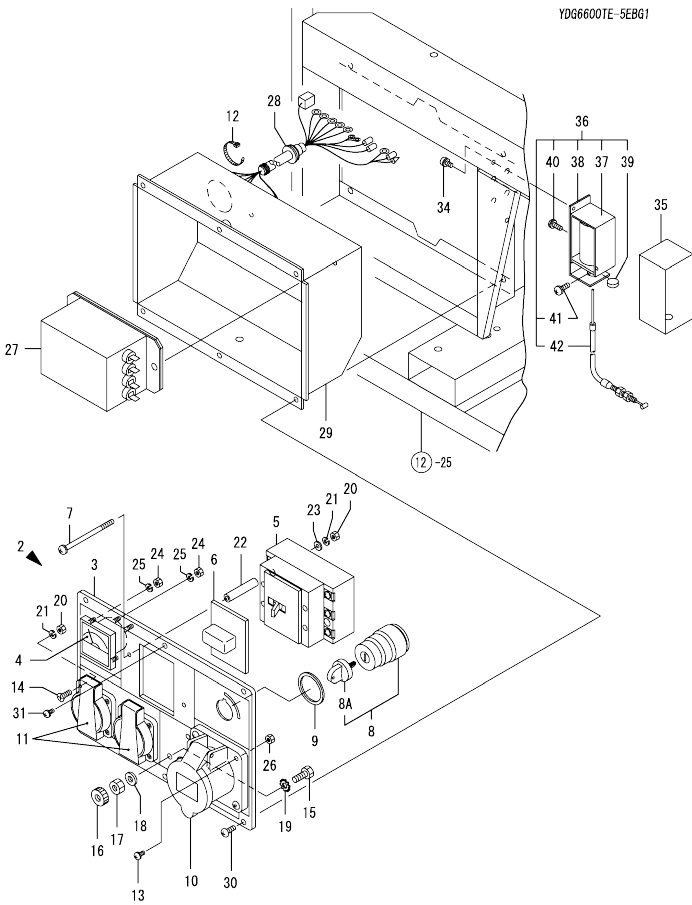
N:Old $\frac{100}{100}$ New, Q:Old $\frac{100}{100}$ New, R:Old $\frac{100}{100}$ New, S:Old $\frac{100}{100}$ New, W:Add, Z:Discontinued, F:Interchangeable by set, K:Q'ty Change
Copyright (C) YANMAR CO., LTD. All Rights Reserved.

OCS10-M36001

Fig.21. PANEL (YDG6600TE-5EBG1)

図号No. 000Y0033801-1
 発注年月: 2003.04
 REVISED: Apr. 2003

YDG6600TE-5EBG1



(A)=5500E-5BG (D)=6600TE5EBN(1)
 (B)=5500E-5EBG(1) (E)=
 (C)=6600TE5EBG(1) (F)=

No.	Lev.	Parts No.	Description	Q'ty						I	R	
				(A)	(B)	(C)	(D)	(E)	(F)			
2	1	X1A04318K00	PANEL ASSY									
3	2	X2A05475KA	PANEL									
4	2	X3A06300K01	METER									
5	2	X3A06299K01	BREAKER									
6	2	X3A06758K01	CAP									
7	2	X4A05875K03	SCREW, M4X60									
8	2	X3M71468	SWITCH, KEY									
8A	3	XM71468A	KEY (C=FROM 1ST)									W
9	2	X4M37952	WASHER									
10	2	X3A06314K01	SOCKET, 380V/16A									
11	2	X4A05887K01	RECEPTACLE									
12	2	X5M17382	BAND									
13	2	X4A01031K01	SCREW									
14	2	X5M37275	SCREW, M4X12									
15	2	X4A02756K01	BOLT, M6X30									
16	2	X4A02757K02	NUT									
17	2	XYNRG6050	NUT									
18	2	XYWKF6016	WASHER									
19	2	X4A05873K01	WASHER									
20	2	XYNRN4032	NUT									
21	2	XYWBS4010	WASHER, SPRING									
22	2	X4A06137K01	COLLAR									
23	2	XYWKQ4008	WASHER									
24	2	XYNRN3024	NUT									
25	2	XYWBS3007	WASHER, SPRING									
26	2	XYNRN5040	NUT									
27	2	X3A10924K01	FILTER, NOISE									
27-1	2	183995-91010	FILTER, NOISE (C=FROM 1ST)									R
28	2	X2A08757KA	HARNES, WIRE									
29	1	X1A04320K00	BOX									
30	1	X4A01031K01	SCREW									
31	1	X4A05871K01	SCREW									
34	1	XYSNP400800	SCREW									
35	1	X3A06353K01	BOOT									
36	1	X3A07264K00	SOLENOID ASSY									
37	2	X3M08708	SOLENOID									
38	2	X3A07265KA	PLATE									
39	2	X5M06441	PLATE									
40	2	XYSNW3008	SCREW									
41	2	XYSNS4008	SCREW M 4									
42	2	X3A6352K05	WIRE									

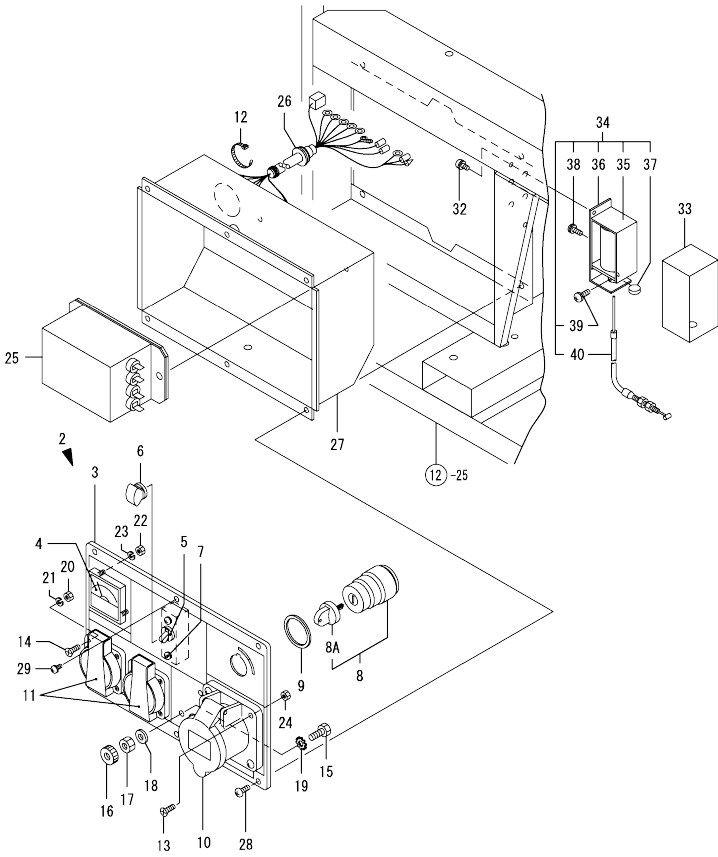
N:Old $\frac{New}{Old}$ New, Q:Old $\frac{New}{Old}$ New, R:Old $\frac{New}{Old}$ New, S:Old $\frac{New}{Old}$ New, W:Add, Z:Discontinued, F:Interchangeable by set, K:Q'ty Change
 Copyright (C) YANMAR CO., LTD. All Rights Reserved.

OCS10-M36001

Fig.22. PANEL (YDG6600TE-5EBN1)

YDG6600TE-5EBN1

零件No. 000Y0063601-1
 更新年月: 2008.04
 REVISED: Apr., 2003



(A)=5500E-5BG (D)=6600TE5EBN(1)
 (B)=5500E-5EBG(1) (E)=
 (C)=6600TE5EBG(1) (F)=

No.	Lev.	Parts No.	Description	Q'ty						I	R
				(A)	(B)	(C)	(D)	(E)	(F)		
2	1	X1A04319K00	PANEL ASSY								
3	2	X2A05479KA	PANEL								
4	2	X3A08407K03	VOLTMETER, 230V								
5	2	X3A06305K02	BREAKER								
6	2	X3A06757K01	CAP. BREAKER								
7	2	X4A05875K02	SCREW, M3X5								
8	2	X3M71468	SWITCH, KEY								
8A	3	XM71468A	KEY								W
			(D=FROM 1ST)								
9	2	X4M37952	WASHER								
10	2	X3A06315K01	SOCKET, 230V/16A								
11	2	X4A05887K01	RECEPTACLE								
12	2	X5M17382	BAND								
13	2	X4A01031K01	SCREW								
14	2	X5M37275	SCREW, M4X12								
15	2	X4A02756K01	BOLT, M6X30								
16	2	X4A02757K02	NUT								
17	2	XYNRG6050	NUT								
18	2	XYWKF6016	WASHER								
19	2	X4A05873K01	WASHER								
20	2	XYNRN4032	NUT								
21	2	XYWBS4010	WASHER, SPRING								
22	2	XYNRN3024	NUT								
23	2	XYWBS3007	WASHER, SPRING								
24	2	XYNRN5040	NUT								
25	2	X3A10924K01	FILTER, NOISE								
25-1	2	183995-91010	FILTER, NOISE								R
			(D=FROM 1ST)								
26	2	X2A08758KA	HARNES, WIRE								
27	1	X1A04320K00	BOX								
28	1	X4A01031K01	SCREW								
29	1	X4A05871K01	SCREW								
32	1	XYSNP400800	SCREW								
33	1	X3A06353K01	BOOT								
34	1	X3A07264K00	SOLENOID ASSY								
35	2	X3M08708	SOLENOID								
36	2	X3A07265KA	PLATE								
37	2	X5M06441	PLATE								
38	2	XYSNW3008	SCREW								
39	2	XYSNS4008	SCREW M 4								
40	2	X3A6352K05	WIRE								

N:Old $\frac{New}{Old}$ New, Q:Old $\frac{New}{Old}$ New, R:Old $\frac{New}{Old}$ New, S:Old $\frac{New}{Old}$ New, W:Add, Z:Discontinued, F:Interchangeable by set, K:Q'ty Change
 Copyright (C) YANMAR CO., LTD. All Rights Reserved.

Parts No. Index

Parts No.	Fig. No.	Ref. No.
103338-32570	6	7
	11	52
104200-23201	5	42
104200-55080	9	5
		31 C
104211-11370	2	34
		35
105025-01220	1	10
105300-23200	5	42 -1
105425-01690	1	34
105546-51020	8	2
105546-51330	8	14
106990-44660	9	26
114250-01800	1	15
114250-01830	1	20
114250-01841	1	21
	11	42
114250-02030	1	42
114250-03640	2	45
114250-07111	11	19
114250-11240	2	27
		32
114250-11460	2	22
	11	44
114250-11900	2	36
114250-11901	2	36 -1
114250-12300	3	11 -1
114250-14260	5	7
114250-32070	6	6
114250-35110	6	9 A
114250-35150	1	32
114250-45300	7	7
114250-45301	7	7 -1
114250-45310	7	8
114250-51080	8	3
114250-51150	8	9
114250-51160	8	10
114250-51340	8	15
114250-51600	8	17
114250-51640	8	18
114250-51650	8	19
114250-53080	8	26
114250-53120	8	27
114250-53130	8	28
114250-53140	8	29
114250-53210	8	30
114250-53331	8	34
114250-53400	8	35
114250-66200	6	41
114250-92101	11	27

Parts No.	Fig. No.	Ref. No.
114250-92130	11	28
114250-92600	11	22
114252-12550	3	10
114252-12560	3	9
114261-07350	11	20
114270-01600	1	22
114270-61520	6	25
114299-01950	1	37 -1
	11	49 -1
114299-02030	1	42 -1
114299-61520	6	25 -1
114350-01700	1	6
114350-11470	2	23
114350-45320	7	2
114350-45340	7	3
114351-78251	10	23 A
114351-78751	10	24 A
114351-78761	10	25 A
114362-77011	10	1
114370-45350	7	10
114370-45351	7	10 -1
114371-77160	10	7
114371-77170	10	13
114371-77180	10	14
114371-79040	10	8
114371-79050	10	9
114371-79060	10	10
114371-79070	10	17
114381-77110	10	2
114381-77130	10	5
114381-77140	10	6
114381-77151	10	12
114650-01230	1	8
114650-01240	1	9
114650-01250	1	11
114650-01260	1	12
114650-01380	1	14
	11	40
114650-01412	1	26
	11	41
114650-02100	1	30
114650-02150	1	43
114650-02200	1	54
114650-02210	1	55
114650-07450	3	3 A
114650-11010	2	9
114650-11011	2	9 -1
114650-11100	2	14
114650-11121	2	16
114650-11261	2	20

Parts No.	Fig. No.	Ref. No.
114650-11311	2	41
	11	48
114650-11340	2	21
	11	43
114650-11600	2	24
114650-11652	2	25
114650-12020	3	12
114650-12211	3	1
	11	46
114650-12301	3	13
	11	45
114650-12520	3	4
114650-12530	3	5
114650-12531	3	5 -1
114650-12550	3	8
114650-12551	3	8 -1
114650-12590	3	6
114650-12591	3	6 -1
114650-13201	4	5
	11	47
114650-14200	5	6
114650-14401	5	8
114650-14402	5	8 -1
114650-21551	5	23
114650-22300	5	37
114650-32010	6	1
114650-45201	7	1
114650-45330	7	9
114650-51300	8	11
114650-53000	8	23
114650-53300	8	31
114650-66600	6	42
114650-76520	7	13
114650-76540	7	16
114650-76630	7	23
114650-76631	7	23 -1
114650-92310	11	35
114650-92350	11	36
114654-11110	2	15
114660-01471	1	27
114660-21401	5	21
114660-21402	5	21 -1
114660-76050	7	11
114660-76051	7	11 -1
114660-76052	7	11 -2
114660-76250	7	12
114660-76251	7	12 -1
114660-76530	7	14
114660-76531	7	14 -1
114660-76590	7	27

Parts No.	Fig. No.	Ref. No.
114660-76591	7	27 -1
114660-76592	7	27 -2
114661-92300	11	34
114662-21592	5	24
114662-21593	5	24 -1
114662-21601	5	27
114668-45102-R	7	6
114699-01760	1	35 -1
114699-12020	3	12 -1
114699-21420	5	21 -2
114699-21590	5	24 -2
114699-22300	5	37 -1
114770-61190	6	28
114770-61520	6	25 -2
114770-61600	6	26
114770-61610	6	27
114771-14260	5	7 -1
114870-76530	7	15 -1
114870-76540	7	16 -1
114870-76560	7	18 -1
114870-76570	7	19 -1
114870-76580	7	26 B
114870-76620	7	22 -1
114880-76520	7	13 -1
114880-76550	7	26 A
114970-01340	1	13
	11	39
114970-66010	6	40
119620-11180	2	17
122710-01220	5	20
124060-23100	5	43
124195-77770	10	16
124550-51350	8	16
124722-59050	9	27
129792-22400	5	38
160110-01870	1	38
160330-92730	11	23
160393-55050	9	14
		31 F
160670-66350	2	5
160710-55061	9	7
160710-55100	9	15
160710-78710	10	26
160910-01740	1	35
160910-76530	7	15
160910-76550	7	17
160910-76560	7	18
160910-76570	7	19
160910-76580	7	20
160910-76620	7	22

Parts No. Index

Parts No.	Fig. No.	Ref. No.
160910-76650	7	24
160970-77350	10	19
170001-07230	11	10
171022-39470	1	51
183210-74470	13	18
	14	18
		43
	15	18
		43
183211-91160	16	14
	17	15
183211-91170	16	15
	17	16
183211-91880	16	33
	17	39
	20	47
183250-03410	2	1
183250-03450	2	2
183250-03550	2	4
183250-03601	2	44
183250-07480	11	21
183250-08160	12	5
183250-39450	1	49
183250-59040	9	25
183250-66301	6	30
183250-66321	6	31
183250-66331	6	32
183250-66341	6	33
183250-66351	6	34
183250-66361	6	35
183250-66371	6	36
183250-66410	16	28
	17	32
	18	28
	19	27
183250-66511	6	29
183250-74271	13	11
	14	11
		45
	15	11
		45
183250-74272	13	11 -1
	14	11 -1
	15	11 -1
183250-74460	13	18 -1
	14	18 -1
	15	18 -1
183251-07130	11	7
183251-07170	11	8
183251-07190	11	9

Parts No.	Fig. No.	Ref. No.
183251-79550	12	17
183254-55120	9	18
183279-08210	12	6
183279-08350	1	39
183284-91080	16	24
	17	12 -1
	18	21
	19	21
183284-91600	16	18
	17	21
	18	18
	19	18
183284-91680	16	19
	17	22
	18	19
	19	19
183284-91690	16	20
	17	23
	18	20
	19	20
183284-96310	16	21
	17	24
183284-96320	16	22
	17	25
183285-07300	11	12
183289-91370	17	19
183350-08150	12	4
183350-55130	16	10
	17	11
	18	10
	19	10
183350-77400	10	20
183350-79610-1	12	19
183350-79630	12	20
183366-08290	1	48
183366-39460	1	50
183387-74250	13	18 -2
	14	18 -2
	15	18 -2
	23	2
183387-74260	13	8 -1
	14	8 -1
	15	8 -1
	23	3
183533-74380	13	15
	14	15
	15	15
183610-07230	11	11
183620-74310	14	46
	15	46

Parts No.	Fig. No.	Ref. No.
183625-91320	16	16
	17	19 -1
	18	13
	19	13
183634-07540	11	15
183650-03510	2	3
183650-11951	2	42
183650-13500	4	1
183650-13501	4	1 -1
183650-13510	4	2
183650-13511	4	2 -1
183650-13700	4	3
183650-59800	8	42
183650-59801	8	42 -1
183720-55210	7	4
	9	20
183720-91750	17	37
183720-91760	17	38
183731-74460	13	17
183731-74461	13	17 -1
183731-74462	13	17 -2
183731-91290	19	22
183820-74300	13	14
	14	14
		47
	15	14
		47
183884-08350-R	12	10
183920-91280	17	28
	18	16
	19	16
183920-91310	17	17
183920-91320	17	18
183920-91450	17	26
	18	14
	19	14
183951-74270	14	40
183951-74280	15	40
183951-74300	14	52
	15	52
183955-79110	12	13
183955-79120	12	42
183955-91900	20	28 -1
183972-91690	16	30
	17	34
	18	30
	19	29
183976-79620	12	16
183976-91080	16	11
	17	12

Parts No.	Fig. No.	Ref. No.
183976-91080	17	28 B
	18	11
	19	11
183976-91090	16	12
		13
	17	13
		14
	18	12 -1
	19	12
		12 -1
183976-92350	11	37
183980-74221	15	7
183980-74231	14	7
183980-74311	15	13
183980-74312	15	13 -1
183980-74321	14	13
183980-74322	14	13 -1
183980-74451	15	42
183980-74471	15	17
183980-74473	15	17 -1
183980-74474	15	17 -2
183980-74481	14	17
183980-74483	14	17 -1
		42
183980-74580	14	9
	15	9
183980-74590	14	20
		20 -1
	15	20
183980-74900	14	51
	15	51
183980-91270	18	22
183980-91280	18	23
183980-91290	19	23
183980-91650	18	17
183980-91660	18	24
183980-91670	18	12
183980-91680	19	17
183984-07090	11	14
183984-08240	12	11
183984-66420	16	29
	17	33
	18	29
	19	28
183984-74150	13	6
	14	6
	15	6
183984-74230	13	7
183984-74250	13	10
	14	10

Parts No. Index

Parts No.	Fig. No.	Ref. No.	Parts No.	Fig. No.	Ref. No.	Parts No.	Fig. No.	Ref. No.	Parts No.	Fig. No.	Ref. No.
183984-74250	14	41	22512-050140	5	28	26216-080182	4	7 -1	71465G-23700	5	39 -1
	15	10	24101-062034	5	51	26226-060142	3	15	714670-11660	2	29
		41	24101-063034	5	52			15 -2	714685-61700	6	20
183984-74280	13	12	24162-152112	1	46	26226-060182	1	23	714689-14580	5	1
	14	12	24311-000180	1	37		3	15 -1	714689-28510	5	46
	15	12		11	49	26226-060222	1	24	714970-01560	1	1
183984-74320	13	13	24341-000224	6	11	26226-060502	2	39	714970-01561	1	1 -1
183984-74321	13	13 -1		11	51	26226-060752	3	16	714970-01562	1	1 -2
183984-74350	13	20	24341-000450	9	19			16 -2	714970-22500	5	31
	14	21	24423-355008	1	44	26226-060802	3	16 -1	714970-22540	5	55
	15	21		45		26226-080202	4	7	714970-22550	5	61
183984-74370	13	24	26022-040082	16	31	26306-080002	4	8 -1	714970-28511	5	46 -1
	14	25		17	35	26366-050002	12	21	714980-22580	5	59
		53		18	31	26366-060002	1	25	714980-22581	5	59 -1
	15	25		19	30		2	7	714980-22620	5	53
		53	26023-030082	16	32			40	714980-22621	5	53 -1
183984-74380	13	16		17	36		3	11	714980-22720	5	29
	14	16		18	32		9	21	714980-22721	5	29 -1
	15	16		19	31	26366-080002	4	8	783384-72601	11	38
183984-74490	13	19	26023-040162	13	25	26476-060142	2	8	783384-92601	11	38 -1
	14	19		14	26		6	9	783692-21700	5	12
	15	19		15	26			39	783986-51100	8	1
	17	20	26106-060082	4	4		10	27	X1A02279K01	16	2
183985-79560	12	18		7	28	26476-060202	7	5		17	2
183986-51100	8	4	26106-060102	12	22		10	28		18	2
183994-78250	10	23 B	26106-060122	2	6	26557-040082	1	53	X1A02526KE0	12	2
183994-78750	10	24 B		7	29	26577-060142	10	29	X1A02527K00	12	24
183994-78760	10	25 B			29 -1	26696-100002	6	47	X1A02585KCO	17	3
183995-91010	21	27 -1		10	21	26716-060002	11	32	X1A02621KBO	16	3
	22	25 -1			27 -1	26716-080002	10	30	X1A02622KBO	17	3 -1
184110-74200	13	14 -1	26106-060162	6	12		11	33	X1A02623KA0	18	3
184120-74180	13	10 -1			37	26717-060002	7	26	X1A02653KA0	19	3
184120-99100	13	57	26106-060202	6	38	26756-060002	2	28	X1A03637KA	20	32
	14	55		7	5 -1			33	X1A04171KA	20	3
	15	55		10	28 -1	26776-100002	6	47 -1	X1A04177K00	12	25
184120-99200	23	1	26106-060252	3	14	26856-060002	2	28 -1	X1A04178K00	13	31
22117-100000	1	52	26106-060702	2	50			33 -1		14	32
22190-120002	9	6	26106-080122	1	47	27310-070001	2	18		15	32
		31 D	26106-080162	4	6	28110-100120	11	24	X1A04318K00	21	2
22190-160002	1	40		12	7	28110-140170	11	25	X1A04319K00	22	2
		41	26106-080182	4	6 -1	28210-000150	11	26	X1A04320K00	21	29
	11	50	26106-080252	13	26	714650-12560	3	2		22	27
22217-060000	7	25		14	27	714650-12561	3	2 -1		22	27
22312-030160	2	47		15	27	714650-23600	5	44	X2114274200	10	18
	6	8	26106-080352	1	33	714650-23610	5	65	X2114275010	10	15
22322-030200	6	18	26106-100122	1	7	714650-23620	5	67	X2114715500	10	4
		19	26106-100302	10	22	714650-23700	5	39	X2114811000	10	3
22351-020006	8	20	26106-100552	2	38	714650-53100	8	22	X211485016	10	11
22351-030008	8	21	26116-060454	11	30	714650-61500	6	13	X2A00919KE	13	36
22351-040008	2	37	26116-080454	11	31	714650-61501	6	13 -1	X2A03593KA	13	35

Parts No. Index

Parts No.	Fig. No.	Ref. No.
X2A05277K	9	31
X2A05277KD	9	31 -1
X2A05277KD0	9	2
X2A05318KA0	17	4
X2A05411KA0	16	5
X2A05412KA0	17	5
X2A05440K00	12	43
X2A05472KA0	18	5
X2A05473KA0	16	4
X2A05474KA	20	4
X2A05474KA0	17	4 -1
X2A05475KA	21	3
X2A05475KA0	18	4
X2A05479KA	22	3
X2A05479KA0	19	4
X2A05549KA0	19	5
X2A07493K00	13	32
X2A08378KA	20	29
X2A08397KA	13	34
X2A08398K00	13	44
X2A08402K01	12	26
X2A08403K01	12	27
X2A08480K00	12	28
X2A08481K01	12	30
X2A08757KA	21	28
X2A08758KA	22	26
X2A08800KA	14	44
X2A08801KA	15	44
X3A05847K01	20	21
X3A06120K00	12	14
		31
X3A06121K07	13	2
		50
	14	2
		33
	15	2
		33
X3A06123K01	12	12
		32
X3A06123K03	9	16
		29
X3A06123K04	12	44
X3A06124K03	13	51
	14	34
	15	34
X3A06125K08	13	3
		52
	14	3
		35
	15	3

Parts No.	Fig. No.	Ref. No.
X3A06125K08	15	35
X3A06144KA	9	31 E
X3A06145KA	9	31 G
X3A06146KA0	9	3
X3A06289K03	16	23
	17	28 A
X3A06290K19	20	26
X3A06295K04	16	17
	17	20 -1
	20	6
X3A06299K01	21	5
X3A06300K01	21	4
X3A06305K02	22	5
X3A06314K01	21	10
X3A06315K01	22	10
X3A06331K01	20	34
X3A06335K01	11	59
X3A06344K01	11	60
X3A06351KA	9	32
X3A06353K01	20	39
	21	35
	22	33
	9	39
X3A06355K	9	39
X3A06356K03	9	23
X3A06359K01	12	45
X3A06389K01	12	33
X3A06403K02	12	8
		34
X3A06403K03	12	9
		35
X3A06458K00	12	46
X3A06459K00	12	47
X3A06460K00	12	48
X3A06461K01	13	4
		53
	14	4
		36
	15	4
		36
X3A06757K01	20	7
	22	6
X3A06758K01	21	6
X3A06813K01	11	3
		62
X3A06857K01	11	63
X3A06858K01	11	64
X3A06873K00	9	38
X3A06873K00	9	24
X3A06919K01	11	4
		65

Parts No.	Fig. No.	Ref. No.
X3A06920K05	11	5 A
X3A06920K06	11	5 B
		66
X3A06920K07	11	5 C
X3A06934K01	11	16
X3A06947K01	13	54
	14	37
	15	37
	11	67
X3A06970K02	11	6 A
X3A06971K03	11	6 B
X3A06971K04	11	6 C
X3A06971K05	11	6 C
X3A07264K00	20	40
	21	36
	22	34
X3A07265KA	20	42
	21	38
	22	36
X3A08407K03	16	23 -1
	17	28 A-1
	19	22 -1
	20	8
	22	4
X3A09167K01	11	68
X3A09168K01	11	69
X3A09169K01	11	70
X3A09170K03	11	71
X3A09170K04	11	72
X3A09170K05	11	73
X3A09430KA	9	31 A
X3A10527K01	20	28
X3A10536K00	12	36
X3A10538K01	12	38
X3A10539K01	9	42
X3A10540K01	9	43
X3A10541K01	9	45
X3A10612K01	11	74
X3A10613K00	9	44
X3A10614K01	9	46
X3A10924K01	21	27
	22	25
X3A6352K05	20	46
	21	42
	22	40
X3M08708	20	41
	21	37
	22	35
X3M71468	20	24
	21	8
	22	8

Parts No.	Fig. No.	Ref. No.
X4A01031K01	16	25
	17	29
	18	25
	19	24
	20	36
	21	13
		30
	22	13
		28
X4A01031K02	20	33
X4A02595K01	20	22
X4A02596K01	20	23
X4A02751K02	13	5
		55
	14	5
		38
	15	5
		38
X4A02756K01	20	16
	21	15
	22	15
X4A02757K01	16	6
	17	6
	18	6
	19	6
X4A02757K02	20	15
	21	16
	22	16
X4A05719K02	12	3
		39
X4A05871K01	16	26
	17	30
	18	26
	19	25
	21	31
	22	29
X4A05872K01	16	7
	17	7
	18	7
	19	7
X4A05873K01	16	8
	17	8
	18	8
	19	8
	20	17
	21	19
	22	19
X4A05875K02	20	9
	22	7
X4A05875K03	21	7

Parts No. Index

Parts No.	Fig. No.	Ref. No.
X4A05887K01	20	5
	21	11
	22	11
X4A05895K01	9	33
X4A05896K01	9	32 A
X4A05899K01	12	15
X4A05899K02	12	49
X4A05900K01	12	50
X4A05904K01	9	40
X4A05957K01	9	41
		47
X4A06014K01	17	9
X4A06082K01	12	40
X4A06131K01	9	35
X4A06137K01	21	22
X4A06142K01	20	14
X4A06143K01	13	56
	14	39
	15	39
	11	77
X4A06180K00	12	41
X4A06183K01	20	27
X4A07550K01	14	48
X4A08815K01	15	48
X4D91825	13	38
X4M18782	20	20
X4M37952	20	25
	21	9
	22	9
X4M47065	13	39
X4M47065000	13	8
	14	8
	15	8
X4M47068	13	37
X4M57215000	16	9
	17	10
	18	9
	19	9
X4M57342	13	40
X5M06441	20	43
	21	39
	22	37
X5M07598000	9	36
X5M07994000	9	17
X5M17382	20	30
	21	12
	22	12
X5M17382000	13	9
		33
X5M37275	21	14

Parts No.	Fig. No.	Ref. No.
X5M37275	22	14
X5M56156	13	47
X5M76111	13	41
XM07598	9	36 -1
XM71468A	20	24 A
	21	8 A
	22	8 A
XYNRG6050	20	18
	21	17
	22	17
XYNRN3024	20	12
	21	24
	22	22
XYNRN4032	20	10
	21	20
	22	20
XYNRN5040	13	43
	14	50
	15	50
	21	26
	22	24
XYSNP400800	20	38
	21	34
	22	32
XYSNS4008	20	45
	21	41
	22	39
XYSNW3008	20	44
	21	40
	22	38
XYSNW400800	13	28
	14	29
	15	29
XYSPS4008	20	35
XYWBS3007	20	13
	21	25
	22	23
XYWBS4010	20	11
	21	21
	22	21
XYWBS5013	13	42
	14	49
	15	49
XYWKF6016	20	19
	21	18
	22	18
XYWKQ4008	21	23

Parts No.	Fig. No.	Ref. No.
-----------	----------	----------

Parts No.	Fig. No.	Ref. No.
-----------	----------	----------