

OCR10-M68100EN

はじめに

1. 本パーツカタログは、L100AE-DEIMYC形を掲載した新作版です。

	パーツカタログNo.	発行年月	備考
初 版	000Y00R6810	2006年11月	

2. 本パーツカタログは、整備要領などを示した技術資料ではありません。

3. 本パーツカタログのイラストは、一部簡略化したものを使用しています。

4. 本パーツカタログの記載内容は、予告なく変更することがありますのでご了承ください。

5. ヤンマー製品の整備には、必ず『ヤンマー純正部品』をご使用ください。
市販の類似品を使用して修理されますと、早期破損などの原因となりますのでご注意ください。

Introduction

1. This parts catalog is a first edition of the L100AE-DEIMYC Diesel engine.

	Parts catalog No.	Date of issue	Remarks
First edition	000Y00R6810	Nov., 2006	

2. This parts catalog does not contain the technical data needed for maintenance service.

3. The illustrations used in this parts catalog have been simplified for clarity.

4. The contents of this parts catalog are subject to change without notice.

5. Be sure to use only Yanmar genuine parts for repairs. If imitation parts are used, it may cause engine defects.

Contents

OCR10-M68100

Fig. No. Fig. Name

Fig. No. Fig. Name

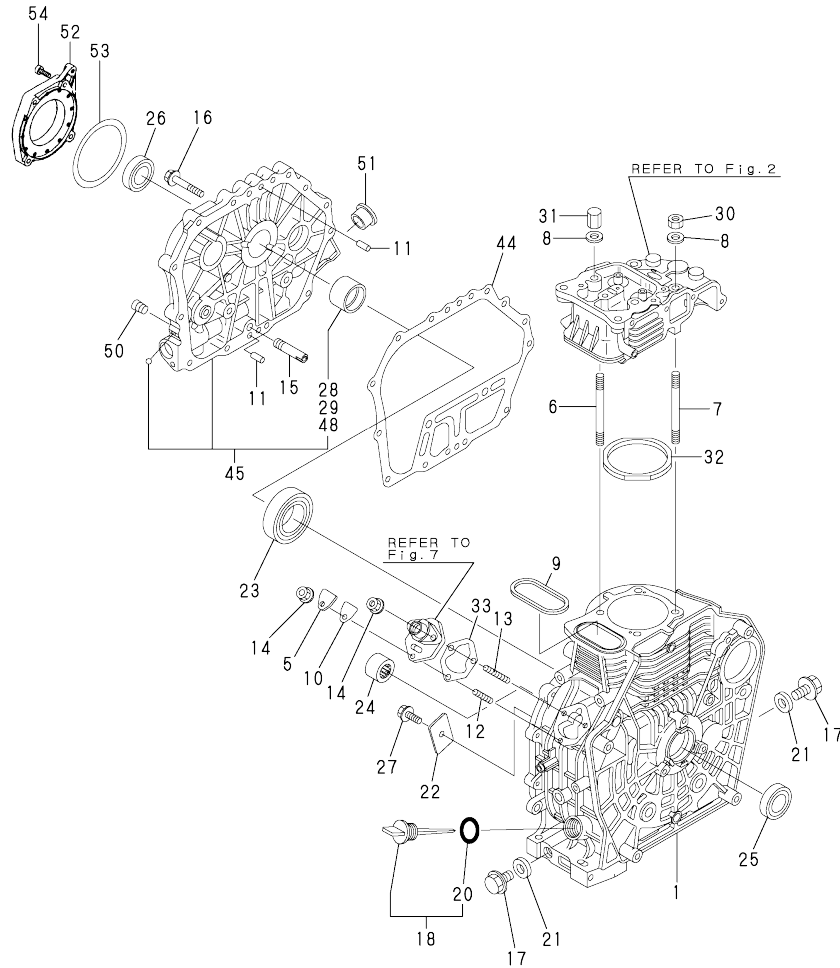
ENGINE

1. CYLINDER BLOCK
2. CYLINDER HEAD & BONNET
3. AIR CLEANER & MUFFLER
4. CRANKSHAFT, PISTON & CAMSHAFT
5. LUB. OIL PUMP & GOVERNOR
6. COOLING & STARTING DEVICE
7. FUEL INJECTION PUMP & FUEL INJECTION VALVE
8. FUEL TANK & FUEL PIPE
9. STARTER MOTOR & DYNAMO
10. TOOL, LABEL & GASKET SET

Fig.1. CYLINDER BLOCK

(A)=L100AE-DEIMY
(B)=
(C)=

(D)=
(E)=
(F)=

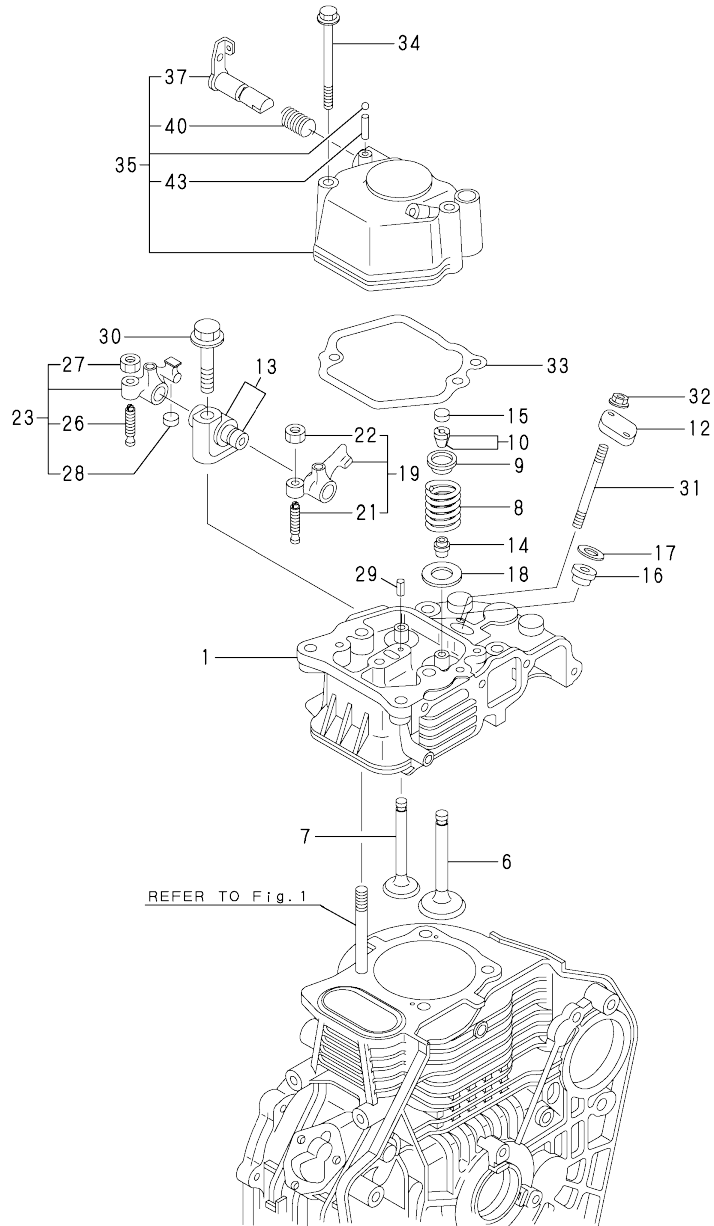


No.	Lev.	Parts No.	Description	Q'ty						I	R
				(A)	(B)	(C)	(D)	(E)	(F)		
1	1	114699-01050	BLOCK ASSY, CYLINDER	1							
5	1	114299-01830	COVER, PUMP	1							
6	1	114699-01200	BOLT, HEAD A	2							
7	1	114699-01210	BOLT, HEAD B	2							
8	1	114699-01250	WASHER, HEAD BOLT	4							
9	1	114699-01380	O-RING, TAPPET	1							
10	1	114250-01841	GASKET, COVER	1							
11	1	114299-01600	PIN, PARALLEL 8X12	2							
12	1	26226-060182	STUD, M6X 18	1							
13	1	26226-060222	STUD, M6X 22	2							
14	1	26366-060002	NUT, M6	3							
15	1	114299-35150	PIPE, OIL INLET	1							
16	1	26106-080352	BOLT, M8X 35 PLATED	16							
17	1	114299-01690	PLUG, DRAIN 16	2							
18	1	114699-01760	CAP ASSY, OIL SUPPLY	1							
20	2	114299-01950	O-RING, 18	1							
21	1	22190-160002	WASHER, SEAL 16	2							
22	1	114299-02030	RETAINER, BEARING	1							
23	1	114650-02150	BEARING, HR6308G3C3	1							
24	1	24162-152112	BEARING, 152112	1							
25	1	24423-355008	SEAL, OIL TC355008	1							
26	1	24423-355008	SEAL, OIL TC355008	1							
27	1	26106-080122	BOLT, M8X 12 PLATED	1							
28	1	114650-02200	METAL, MAIN 0.25 US	1							2
29	1	114650-02210	METAL, MAIN 0.50 US	1							3
30	1	114699-01220	NUT, CYLINDER HEAD A	2							
31	1	114699-01230	NUT, CYLINDER HEAD B	2							
32	1	114699-01330	GASKET, HEAD	1							
33	1	114299-01800	SHIM SET, PUMP	1							
44	1	114699-01410	GASKET, CASE COVER	1							
45	1	114699-01450	COVER, CRANK CASE D	1							
48	2	114650-02100	METAL, MAIN	1							1
50	1	23876-010000	PLUG, R01	1							
51	1	160110-01870	PLUG, RUBBER 22	1							
52	1	114399-21960	FLANGE	1							
53	1	114399-21980	GASKET	1							
54	1	26453-080252	BOLT, M8X 25	4							

Remarks

- (1) Spare parts.
- (2) Under-sized(U.S.=0.25) parts.
- (3) Under-sized(U.S.=0.50) parts.

Fig.2. CYLINDER HEAD & BONNET



(A)=L100AE-DEIMY
(B)=
(C)=

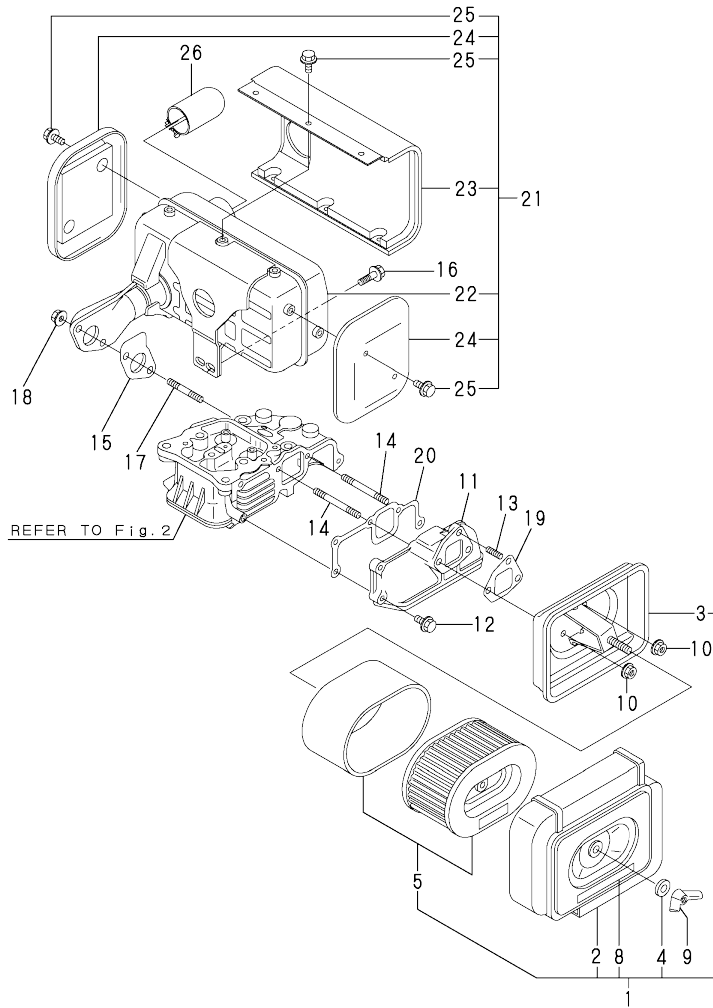
(D)=
(E)=
(F)=

No.	Lev.	Parts No.	Description	Q'ty						I	R
				(A)	(B)	(C)	(D)	(E)	(F)		
1	1	114650-11011	HEAD ASSY, CYLINDER	1							
6	1	114699-11100	VALVE, INTAKE	1							
7	1	114699-11110	VALVE, EXHAUST	1							
8	1	114699-11120	SPRING, VALVE	2							
9	1	119620-11180	RETAINER, SPRING	2							
10	1	27310-070001	COTTER, 7	2							
12	1	114299-11901	RETAINER, VALVE	1							
13	1	114650-11261	SUPPORT, ROCKER ARM	1							
14	1	114650-11340	SEAL, VALVE STEM	2							
15	1	104211-11370	CAP, VALVE	1							
16	1	114250-11460	GASKET, NOZZLE	1							
17	1	114350-11470	SPACER, NOZZLE	1							
18	1	114699-11600	WASHER	2							
19	1	114650-11652	ARM ASSY, ROCKER	1							
21	2	114250-11240	SCREW, VALVE ADJUST	1							
22	2	26856-060002	NUT, M6	1							
23	1	714670-11660	ARM ASSY, ROCKER EXH	1							
26	3	114250-11240	SCREW, VALVE ADJUST	1							
27	3	26856-060002	NUT, M6	1							
28	2	104211-11370	CAP, VALVE	1							
29	1	22351-040008	PIN, SPRING 4.0X 8	1							
30	1	26106-100552	BOLT, M10X 55 PLATED	1							
31	1	26226-060502	STUD, M6X 50	2							
32	1	26366-060002	NUT, M6	2							
33	1	114699-11320	GASKET, BONNET	1							
34	1	26106-060702	BOLT, M6X 70 PLATED	2							
35	1	114699-11950	BONNET ASSY, HEAD	1							
37	2	114250-03591	LEVER ASSY, DECOMP	1							
40	2	114299-03640	SPRING, DECOMPRESSION	1							
43	2	22312-030160	PIN, PARALLEL M3X16	1							

Fig.3. AIR CLEANER & MUFFLER

(A)=L100AE-DEIMY
(B)=
(C)=

(D)=
(E)=
(F)=

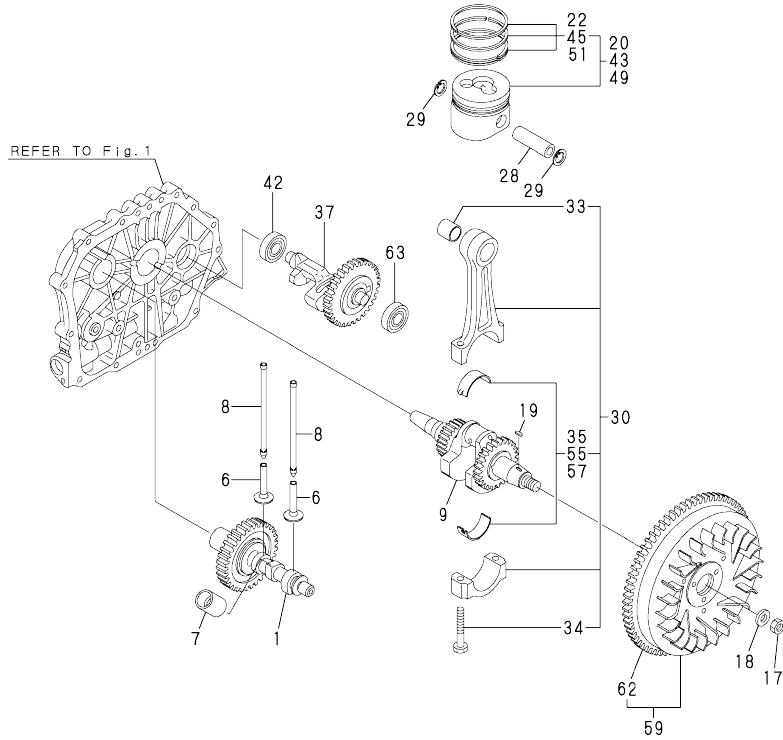


No.	Lev.	Parts No.	Description	Q'ty						I	R
				(A)	(B)	(C)	(D)	(E)	(F)		
1	1	114980-12510	CLEANER ASSY, AIR	1							
2	2	114650-12520	COVER, AIR CLEANER	1							
3	2	114980-12530	CASE ASSY, CLEANER	1							
4	2	114252-12560	WASHER, SEAL M8	1							
5	2	114650-12590	ELEMENT ASSY, AIR	1							
8	2	114650-07450	LABEL, AIR CLEANER	1							
9	1	114252-12550	NUT, WING M8	1							
10	1	114299-12300	NUT	3							
11	1	114699-12020	PIPE, AIR INTAKE A	1							
12	1	26106-060252	BOLT, M6X 25 PLATED	3							
13	1	26226-060142	STUD, M6X 14	1							
14	1	114310-45360	STUD, M6X77	2							
15	1	114699-13200	GASKET, MUFFLER	1							
16	1	26106-080182	BOLT, M8X 18 PLATED	2							
17	1	26216-080182	STUD, M8X 18	2							
18	1	26366-080002	NUT, M8	2							
19	1	114699-12210	GASKET, AIR CLEANER	1							
20	1	114699-12200	GASKET, INTAKE PIPE	1							
21	1	114699-13552	MUFFLER ASSY	1							
22	2	114699-13562	MUFFLER	1							
23	2	114699-13700	COVER, MUFFLER A	1							
24	2	114699-13710	COVER, MUFFLER B	2							
25	2	114699-13720	BOLT, W/FLANGE M6	10							
26	1	114699-13800	PIPE, MUFFLER	1							
26-1	1	114320-13800	DEFLECTOR ASSY, EXH	1							N
(A=ECC8326)											

Fig.4. CRANKSHAFT, PISTON & CAMSHAFT

(A)=L100AE-DEIMY
(B)=
(C)=

(D)=
(E)=
(F)=

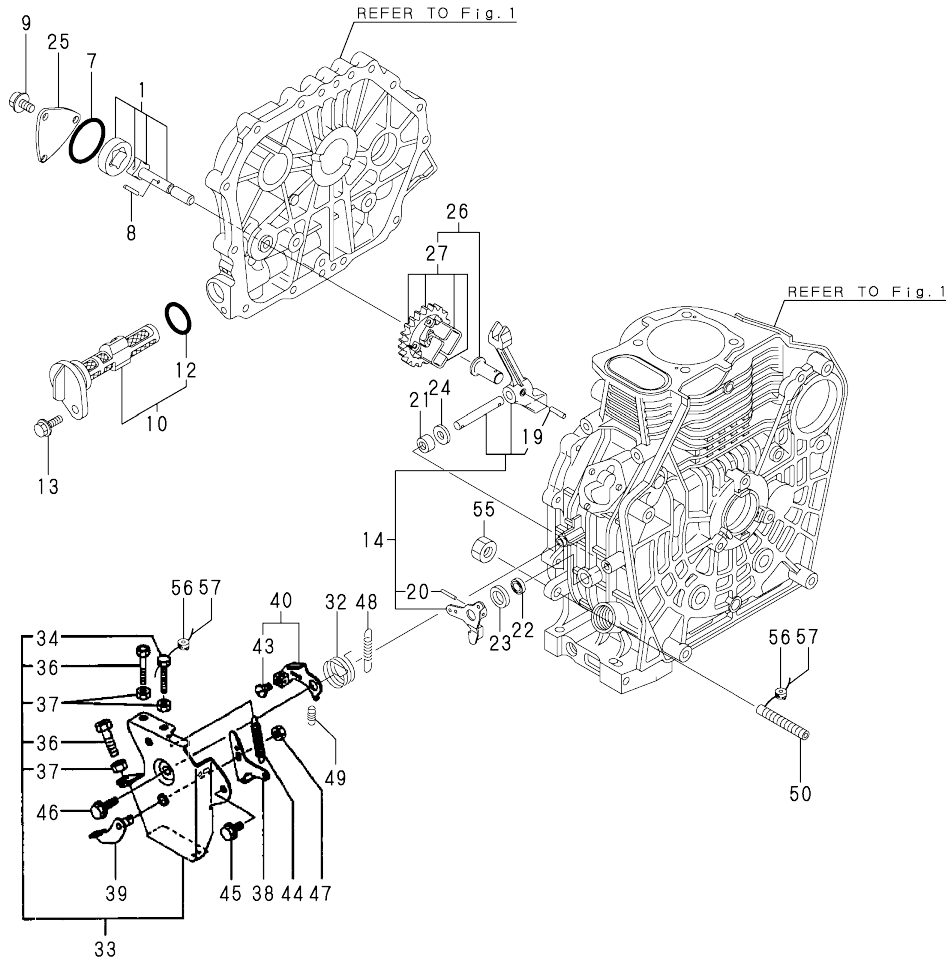


No.	Lev.	Parts No.	Description	Q'ty						I	R
				(A)	(B)	(C)	(D)	(E)	(F)		
1	1	714699-14580	CAMSHAFT ASSY	1							
6	1	114699-14200	TAPPET	2							
7	1	114771-14260	TAPPET	1							
8	1	114650-14402	ROD ASSY, PUSH	2							
9	1	714688-21730	CRANKSHAFT ASSY	1							
17	1	114699-21220	NUT, WHEEL	1							
18	1	114699-21550	WASHER, FLYWHEEL	1							
19	1	22512-050140	KEY, 5X 14	1							
20	1	714980-22721	PISTON ASSY, D	1							
22	2	714970-22500	RING SET, PISTON	1							
28	1	114699-22300	PIN, PISTON D=23	1							
29	1	129792-22400	CIRCLIP, 23	2							
30	1	714699-23700	ROD ASSY, CONNECTING	1							
33	2	124060-23100	BEARING, PISTON PIN	1							
34	2	105300-23200	BOLT, CONNECTING ROD	2							
35	2	714650-23600	METAL ASSY, CRANK PIN	1							
37	1	714970-28511	SHAFT ASSY, BALANCER	1							
42	1	24101-062030	BEARING, BALL 6203C3	1							
43	1	714980-22621	PISTON ASSY, 0.25 OS	1							1
45	2	714970-22540	RING SET, 0.25 OS	1							1
49	1	714980-22581	PISTON ASSY, 0.50 OS	1							2
51	2	714970-22550	RING SET, 0.50 OS	1							2
55	1	714650-23610	METAL ASSY, PIN .25	1							3
57	1	714650-23620	METAL ASSY, PIN .50	1							4
59	1	114699-21590	FLYWHEEL ASSY, DE	1							
62	2	114662-21601	GEAR, RING D	1							
63	1	24101-063030	BEARING, BALL 6303C3	1							

Remarks

- (1)Over-sized(O.S.=0.25) parts.
- (2)Over-sized(O.S.=0.50) parts.
- (3)Under-sized(U.S.=0.25) parts.
- (4)Under-sized(U.S.=0.50) parts.

Fig.5. LUB. OIL PUMP & GOVERNOR



(A)=L100AE-DEIMY
(B)=
(C)=

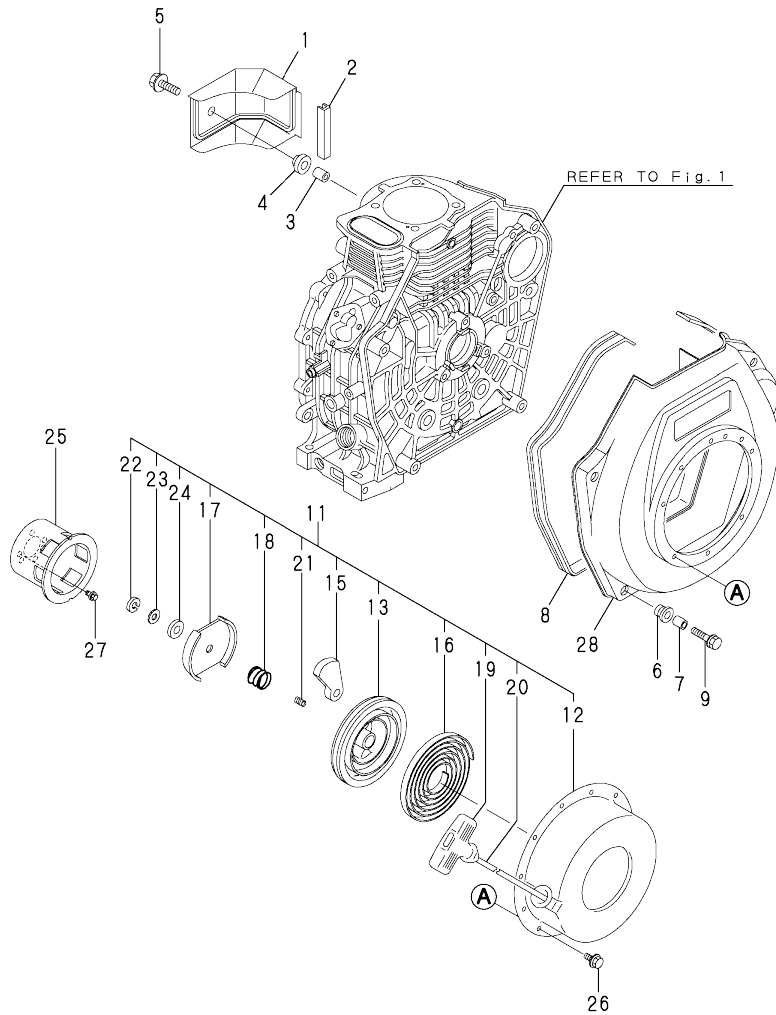
(D)=
(E)=
(F)=

No.	Lev.	Parts No.	Description	Q'ty						I	R
				(A)	(B)	(C)	(D)	(E)	(F)		
1	1	114650-32010	PUMP ASSY, OIL	1							
7	1	114299-32570	O-RING, PUMP COVER	1							
8	1	22312-030160	PIN, PARALLEL M3X16	1							
9	1	26106-060122	BOLT, M6X 12 PLATED	3							
10	1	114299-35110	FILTER ASSY, OIL	1							
12	2	24341-000224	O-RING, 1AS22.4	1							
13	1	26106-060162	BOLT, M6X 16 PLATED	1							
14	1	714699-61500	LEVER ASSY, GOVERNOR	1							
19	3	22322-030200	PIN, TAPER 3X20	1							
20	2	22322-030200	PIN, TAPER 3X20	1							
21	1	114295-61520	NEEDLE BEARING	2							
22	1	114299-61600	SEAL, OIL	1							
23	1	114770-61610	WASHER, THRUST	1							
24	1	114299-61190	WASHER, GOVERNOR	1							
25	1	114299-32070	COVER, OIL PUMP	1							
26	1	714699-61700	GOVERNOR ASSY	1							
27	2	114699-61210	WEIGHT ASSY, GOVERNOR	1							
32	1	114299-66250	SPRING, RETURN	1							
33	1	714299-66901	CONTROL ASSY, SPEED	1							
34	2	114299-66440	BOLT, ADJUSTER	1							
36	2	114299-67080	BOLT, ADJUST	2							
37	2	26757-060002	NUT, LOCK M6	3							
38	1	114299-66920	LEVER, STOP INNER	1							
39	1	114299-66932	LEVER, STOP OUTER	1							
40	1	114299-66940	LEVER ASSY, REGULATOR	1							
43	2	26117-050089	BOLT, M5X 8 PLATED	1							
44	1	114299-66960	SPRING, STOPPER	1							
45	1	26106-060142	BOLT, M6X 14 PLATED	1							
46	1	26106-060302	BOLT, M6X 30 PLATED	1							
47	1	26757-080002	NUT, LOCK M8	1							
48	1	114699-66010	SPRING, REGULATOR	1							
49	1	114299-66200	SPRING, RETURN	1							
50	1	114650-66500	LIMITER ASSY, FUEL	1							
55	1	26776-100002	NUT, LOCK M10	1							
56	1	114780-61090	TIN	2							
57	1	22451-060000	WIRE, 0.6	2							

Fig.6. COOLING & STARTING DEVICE

(A)=L100AE-DEIMY
(B)=
(C)=

(D)=
(E)=
(F)=

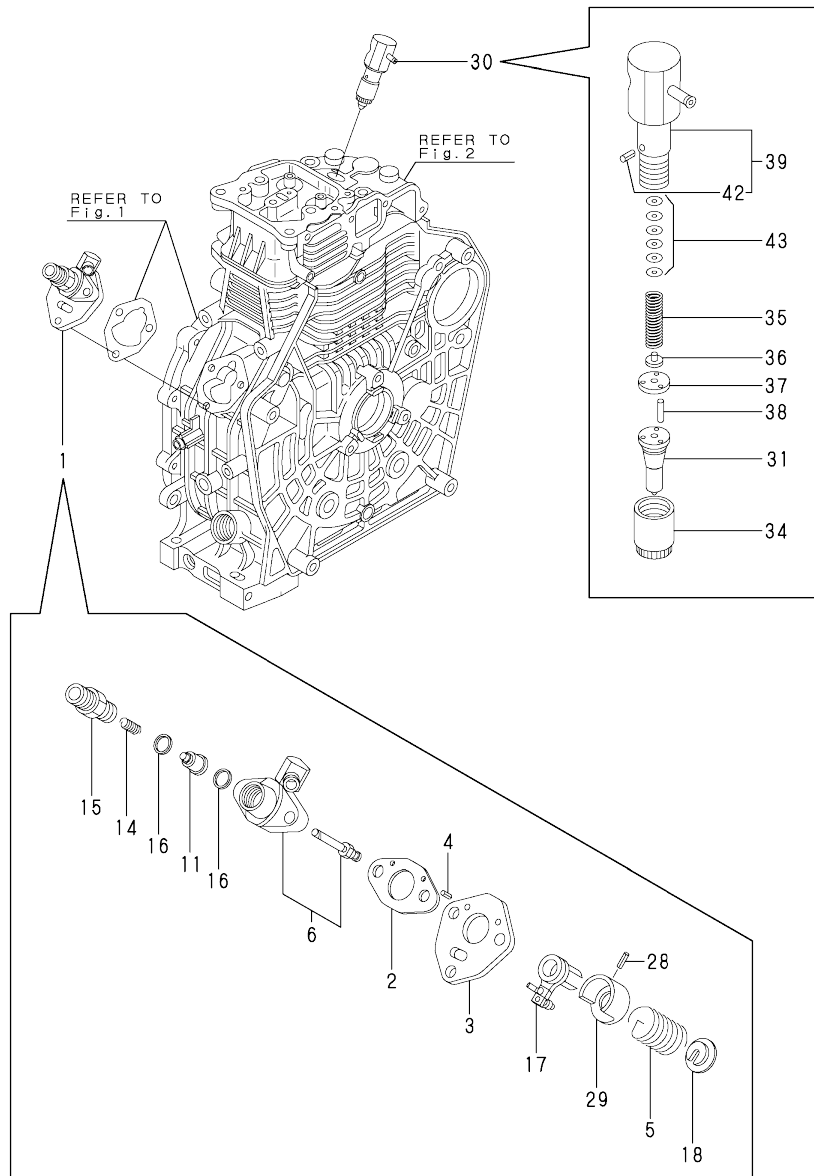


No.	Lev.	Parts No.	Description	Q'ty						I	R
				(A)	(B)	(C)	(D)	(E)	(F)		
1	1	114699-45210	COVER, CYLINDER	1							
2	1	114399-45320	RUBBER, SEAL	1							
3	1	114399-45340	COLLAR	1							
4	1	114299-45220	GROMMET, TANK	1							
5	1	26106-060202	BOLT, M6X 20 PLATED	1							
6	1	114299-45301	RUBBER, FAN CASE	4							
7	1	114299-45310	COLLAR, FAN CASE	4							
8	1	114699-45330	SEAL, FAN CASE	1							
9	1	114299-45350	BOLT, FAN CASE	4							
11	1	114699-76251	STARTER ASSY, RECOIL	1							
12	2	114699-76510	CASE, STARTER	1							
13	2	114699-76521	REEL, RECOIL STARTER	1							
15	2	114699-76531	RATCHET	2							
16	2	114399-76540	SPRING, SPIRAL	1							
17	2	114699-76551	GUIDE, RATCHET	1							
18	2	114699-76560	SPRING, FRICTION	1							
19	2	114399-76620	KNOB, STARTER	1							
20	2	114699-76630	ROPE, STARTER	1							
21	2	114699-76650	SPRING, COMPRESSION	1							
22	2	114699-76660	RING, RETAINING	1							
23	2	114699-76670	WASHER	1							
24	2	114699-76680	WASHER	1							
25	1	114699-76592	PULLEY, STARTER	1							
26	1	26106-060082	BOLT, M6X 8 PLATED	4							
27	1	26106-060122	BOLT, M6X 12 PLATED	3							
28	1	114699-45100	CASE, COOLING FAN D	1							

Fig.7. FUEL INJECTION PUMP & FUEL INJECTION VALVE

(A)=L100AE-DEIMY
(B)=
(C)=

(D)=
(E)=
(F)=

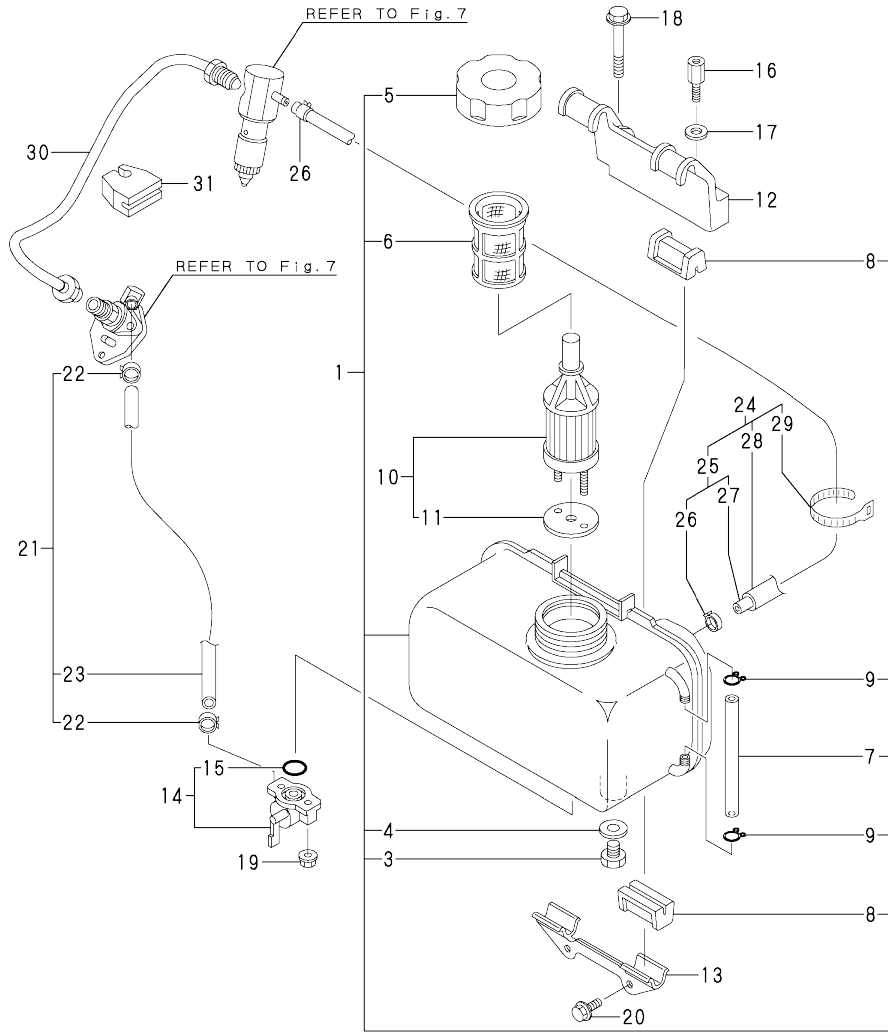


No.	Lev.	Parts No.	Description	Q'ty						I	R
				(A)	(B)	(C)	(D)	(E)	(F)		
1	1	714699-51600	PUMP ASSY, INJECTION	1							
2	2	114299-51020	GASKET, PUMP BODY	1							
3	2	114299-51080	PLATE	1							
4	2	114299-51090	PIN, SPRING 2.0AX6	2							
5	2	114299-51160	SPRING, PLUNGER	1							
6	2	114699-51220	BODY ASSY, PUMP	1							
11	2	114699-51300	VALVE ASSY, DELIVERY	1							
14	2	114299-51330	SPRING, VALVE	1							
15	2	114299-51340	HOLDER, DELIVERY	1							
16	2	114299-51350	PACKING, DELIVERY	2							
17	2	114299-51600	LEVER, CONTROL	1							
18	2	114299-51610	SEAT ASSY (B, SPRING	1							
28	2	114299-51630	PIN, SPRING 2.5AX8	1							
29	2	114299-51640	SEAT, SPRING	1							
30	1	714650-53100	VALVE ASSY,INJECTION	1							
31	2	114650-53000	VALVE ASSY,INJECTION	1							
34	2	114250-53080	NUT, NOZZLE	1							
35	2	114250-53120	SPRING, NOZZLE	1							
36	2	114250-53130	SEAT, SPRING	1							
37	2	114250-53140	SPACER, VALVE STOP	1							
38	2	114250-53210	PIN, POSITIONING	2							
39	2	114650-53300	HOLDER ASSY, NOZZLE	1							
42	3	114250-53331	PIN, HOLDER	1							
43	2	114250-53400	SHIM SET	1							

Fig.8. FUEL TANK & FUEL PIPE

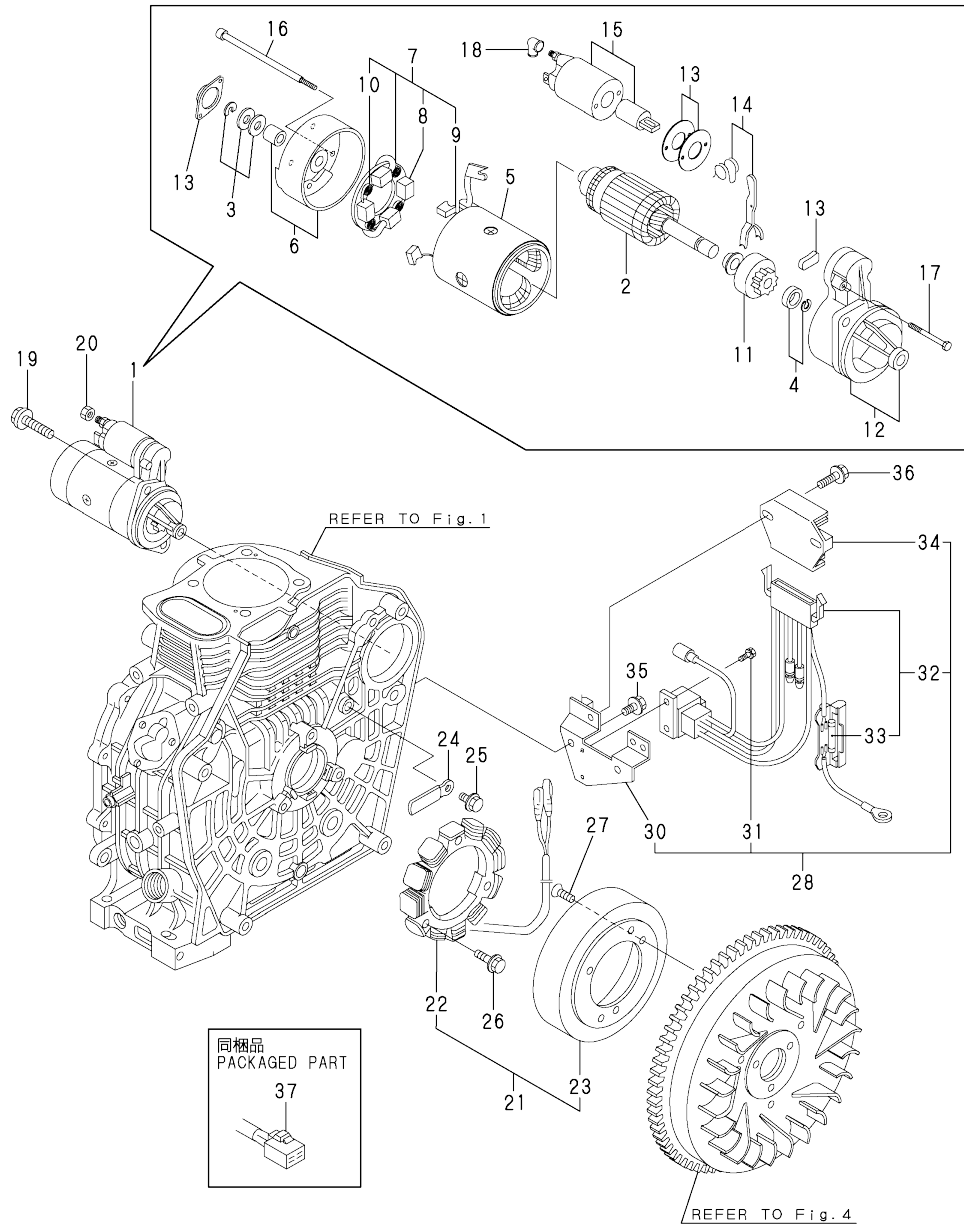
(A)=L100AE-DEIMY
(B)=
(C)=

(D)=
(E)=
(F)=



No.	Lev.	Parts No.	Description	Q'ty						I	R
				(A)	(B)	(C)	(D)	(E)	(F)		
1	1	714699-55700	TANK ASSY, FUEL	1							
3	3	105300-55080	PLUG, M8X1.0	1							
4	3	23414-080000	GASKET, 8X1.0	1							
5	2	114299-55040	CAP ASSY, FUEL TANK	1							
6	2	114299-55100	ELEMENT, FUEL FILTER	1							
7	2	114650-55150	GAUGE, OIL LEVEL	1							
8	2	114299-55201	DAMPER, FUEL TANK	4							
9	2	114299-55450	CLIP, HOSE 7	2							
10	1	114250-55121	FILTER ASSY, FUEL	1							
11	2	114250-55130	GASKET	1							
12	1	114699-55230	STAY, FUEL TANK B	1							
13	1	114299-55210	STAY, FUEL TANK A	1							
14	1	114250-55301	COCK ASSY, FUEL	1							
15	2	24341-000150	O-RING, 1AS15.0	1							
16	1	114299-55810	BOLT, LIFTING	1							
17	1	22117-080000	WASHER, 8	1							
18	1	26106-080452	BOLT, M8X 45 PLATED	1							
19	1	26366-060002	NUT, M6	2							
20	1	26106-060162	BOLT, M6X 16 PLATED	2							
21	1	114770-59030	PIPE ASSY, FUEL	1							
22	2	114270-59010	CLAMP, HOSE 12	2							
23	2	114268-59061	PIPE, FUEL L=50	1							
24	1	114652-59300	PIPE, FUEL RETURN	1							
25	2	114652-59100	PIPE ASSY, FUEL	1							
26	3	124722-59050	CLAMP, HOSE 9	2							
27	3	114650-59060	PIPE, FUEL RETURN	1							
28	2	114652-59310	TUBE, PROTECT	1							
29	2	121750-59890	BAND, NYLON	1							
30	1	114650-59801	PIPE ASSY, INJECTION	1							
31	1	114699-59850	SUPPORT, PIPE	1							

Fig.9. STARTER MOTOR & DYNAMO



(A)=L100AE-DEIMY
(B)=
(C)=

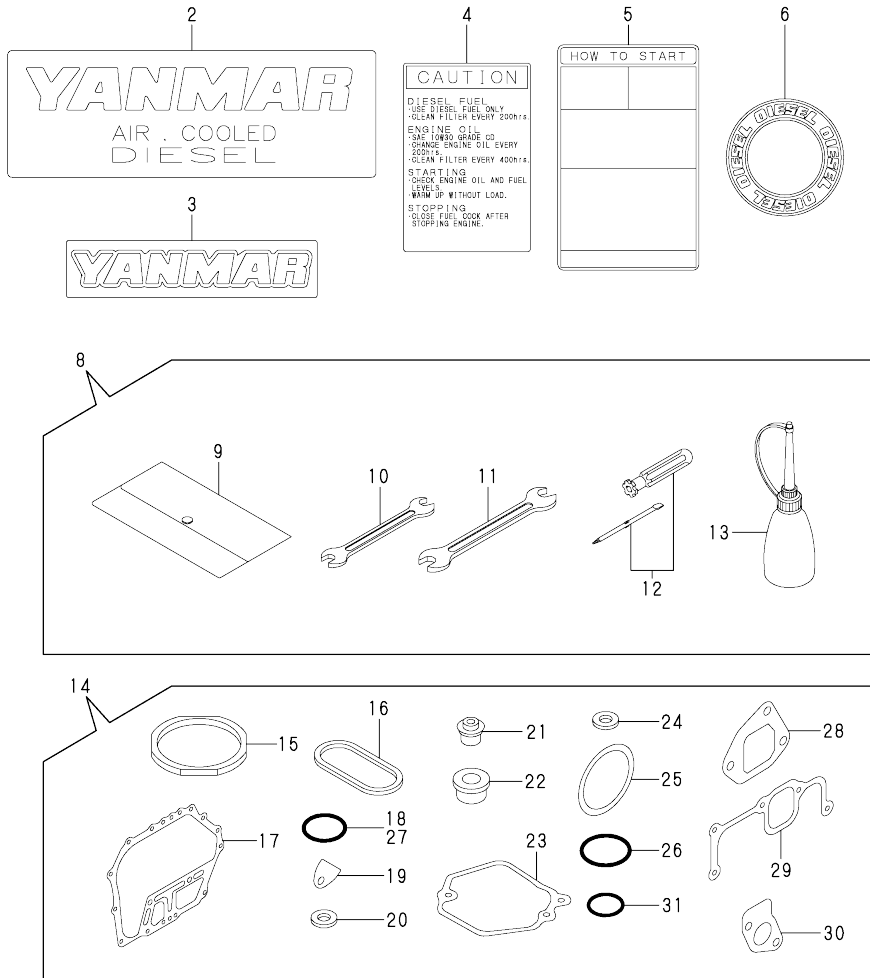
(D)=
(E)=
(F)=

No.	Lev.	Parts No.	Description	Q'ty						I	R
				(A)	(B)	(C)	(D)	(E)	(F)		
1	1	114362-77011	STARTER ASSY, D	1							
2	2	114381-77110	ARMATURE	1							
3	2	X211481000	WASHER KIT, THRUST	1							
4	2	X2114715500	STOPPER SET, PINION	1							
5	2	114381-77130	COIL ASSY, FIELD	1							
6	2	114381-77140	COVER	1							
7	2	114371-77160	HOLDER ASSY, BRUSH	1							
8	3	114371-79040	BRUSH, -	2							
9	3	114371-79050	BRUSH SET, +	1							
10	3	114371-79060	SPRING, BRUSH	4							
11	2	X211485016	PINION ASSY	1							
12	2	114381-77151	CASE ASSY, GEAR	1							
13	2	114371-77170	COVER KIT, DUST	1							
14	2	114371-77180	LEVER KIT, SHIFT	1							
15	2	124298-77020	SWITCH, MAGNET	1							
16	2	124195-77770	BOLT, THROUGH	2							
17	2	114371-79070	BOLT, M6	2							
18	2	X2114274200	COVER, TERMINAL	1							
19	1	26106-100302	BOLT, M10X 30 PLATED	2							
20	1	26716-080002	NUT, M8	1							
21	1	114399-78260	DYNAMO ASSY	1							
22	2	114399-78730	STATOR ASSY	1							
23	2	114399-78740	WHEEL, DYNAMO	1							
24	1	160710-78710	CLAMP, CORD	1							
25	1	26106-060122	BOLT, M6X 12 PLATED	1							
26	1	26106-060202	BOLT, M6X 20 PLATED	3							
27	1	26577-060142	SCREW M 6X 14	3							
28	1	114399-77550	REGULATOR ASSY	1							
30	3	114399-77400	BRACKET, HARNESS	1							
31	3	26023-040102	SCREW, M4X10	2							
32	3	114399-77540	HARNESS, WIRE	1							
33	4	114399-78000	FUSE, 20A	2							
34	2	114399-77710	REGULATOR	1							
35	1	26106-060122	BOLT, M6X 12 PLATED	2							
36	1	26106-060202	BOLT, M6X 20 PLATED	2							
37	1	114351-77520	COUPLER	1							

Fig.10. TOOL, LABEL & GASKET SET

(A)=L100AE-DEIMY
(B)=
(C)=

(D)=
(E)=
(F)=



No.	Lev.	Parts No.	Description	Q'ty						I	R
				(A)	(B)	(C)	(D)	(E)	(F)		
2	1	114299-07100	LABEL, YANMAR MARK A	1							
3	1	114299-07110	LABEL, YANMAR MARK B	1							
4	1	114210-07120	LABEL, CAUTION	1							
5	1	114210-07130	LABEL, HOW TO START	1							
6	1	114299-07160	LABEL, DIESEL	1							
8	1	114299-92590	TOOL ASSY	1							
9	2	114299-92600	BAG, TOOL	1							
10	2	114299-92710	WRENCH	1							
11	2	114299-92720	WRENCH	1							
12	2	114299-92730	DRIVER	1							
13	2	114299-92740	FEEDER, OIL	1							
14	1	714988-92610	GASKET SET	1							1
15	2	114699-01330	GASKET, HEAD	1							
16	2	114699-01380	O-RING, TAPPET	1							
17	2	114699-01410	GASKET, CASE COVER	1							
18	2	114299-01950	O-RING, 18	1							
19	2	114250-01841	GASKET, COVER	1							
20	2	22190-160002	WASHER, SEAL 16	2							
21	2	114650-11340	SEAL, VALVE STEM	2							
22	2	114250-11460	GASKET, NOZZLE	1							
23	2	114699-11320	GASKET, BONNET	1							
24	2	23414-080000	GASKET, 8X1.0	1							
25	2	114399-21980	GASKET	1							
26	2	114299-32570	O-RING, PUMP COVER	1							
27	2	24341-000224	O-RING, 1AS22.4	1							
28	2	114699-12210	GASKET, AIR CLEANER	1							
29	2	114699-12200	GASKET, INTAKE PIPE	1							
30	2	114699-13200	GASKET, MUFFLER	1							
31	2	24341-000150	O-RING, 1AS15.0	1							

Remarks

(1)Optional parts.

N:Old $\begin{matrix} \text{Yes} \\ \text{No} \end{matrix}$ New. Q:Old $\begin{matrix} \text{No} \\ \text{Yes} \end{matrix}$ New. R:Old $\begin{matrix} \text{Yes} \\ \text{Yes} \end{matrix}$ New. S:Old $\begin{matrix} \text{No} \\ \text{No} \end{matrix}$ New. W:Add. Z:Discontinued. F:Interchangeable by set. K:Q'ty Change

Parts No. Index

Parts No.	Fig. No.	Ref. No.
104211-11370	2	15
		28
105300-23200	4	34
105300-55080	8	3
114210-07120	10	4
114210-07130	10	5
114250-01841	1	10
	10	19
114250-03591	2	37
114250-11240	2	21
		26
114250-11460	2	16
	10	22
114250-53080	7	34
114250-53120	7	35
114250-53130	7	36
114250-53140	7	37
114250-53210	7	38
114250-53331	7	42
114250-53400	7	43
114250-55121	8	10
114250-55130	8	11
114250-55301	8	14
114252-12550	3	9
114252-12560	3	4
114268-59061	8	23
114270-59010	8	22
114295-61520	5	21
114299-01600	1	11
114299-01690	1	17
114299-01800	1	33
114299-01830	1	5
114299-01950	1	20
	10	18
114299-02030	1	22
114299-03640	2	40
114299-07100	10	2
114299-07110	10	3
114299-07160	10	6
114299-11901	2	12
114299-12300	3	10
114299-32070	5	25
114299-32570	5	7
	10	26
114299-35110	5	10
114299-35150	1	15
114299-45220	6	4
114299-45301	6	6
114299-45310	6	7
114299-45350	6	9

Parts No.	Fig. No.	Ref. No.
114299-51020	7	2
114299-51080	7	3
114299-51090	7	4
114299-51160	7	5
114299-51330	7	14
114299-51340	7	15
114299-51350	7	16
114299-51600	7	17
114299-51610	7	18
114299-51630	7	28
114299-51640	7	29
114299-55040	8	5
114299-55100	8	6
114299-55201	8	8
114299-55210	8	13
114299-55450	8	9
114299-55810	8	16
114299-61190	5	24
114299-61600	5	22
114299-66200	5	49
114299-66250	5	32
114299-66440	5	34
114299-66920	5	38
114299-66932	5	39
114299-66940	5	40
114299-66960	5	44
114299-67080	5	36
114299-92590	10	8
114299-92600	10	9
114299-92710	10	10
114299-92720	10	11
114299-92730	10	12
114299-92740	10	13
114310-45360	3	14
114320-13800	3	26 -1
114350-11470	2	17
114351-77520	9	37
114362-77011	9	1
114371-77160	9	7
114371-77170	9	13
114371-77180	9	14
114371-79040	9	8
114371-79050	9	9
114371-79060	9	10
114371-79070	9	17
114381-77110	9	2
114381-77130	9	5
114381-77140	9	6
114381-77151	9	12
114399-21960	1	52

Parts No.	Fig. No.	Ref. No.
114399-21980	1	53
	10	25
114399-45320	6	2
114399-45340	6	3
114399-76540	6	16
114399-76620	6	19
114399-77400	9	30
114399-77540	9	32
114399-77550	9	28
114399-77710	9	34
114399-78000	9	33
114399-78260	9	21
114399-78730	9	22
114399-78740	9	23
114650-02100	1	48
114650-02150	1	23
114650-02200	1	28
114650-02210	1	29
114650-07450	3	8
114650-11011	2	1
114650-11261	2	13
114650-11340	2	14
	10	21
114650-11652	2	19
114650-12520	3	2
114650-12590	3	5
114650-14402	4	8
114650-32010	5	1
114650-53000	7	31
114650-53300	7	39
114650-55150	8	7
114650-59060	8	27
114650-59801	8	30
114650-66500	5	50
114652-59100	8	25
114652-59300	8	24
114652-59310	8	28
114662-21601	4	62
114699-01050	1	1
114699-01200	1	6
114699-01210	1	7
114699-01220	1	30
114699-01230	1	31
114699-01250	1	8
114699-01330	1	32
	10	15
114699-01380	1	9
	10	16
114699-01410	1	44
	10	17

Parts No.	Fig. No.	Ref. No.
114699-01450	1	45
114699-01760	1	18
114699-11100	2	6
114699-11110	2	7
114699-11120	2	8
114699-11320	2	33
	10	23
114699-11600	2	18
114699-11950	2	35
114699-12020	3	11
114699-12200	3	20
	10	29
114699-12210	3	19
	10	28
114699-13200	3	15
	10	30
114699-13552	3	21
114699-13562	3	22
114699-13700	3	23
114699-13710	3	24
114699-13720	3	25
114699-13800	3	26
114699-14200	4	6
114699-21220	4	17
114699-21550	4	18
114699-21590	4	59
114699-22300	4	28
114699-45100	6	28
114699-45210	6	1
114699-45330	6	8
114699-51220	7	6
114699-51300	7	11
114699-55230	8	12
114699-59850	8	31
114699-61210	5	27
114699-66010	5	48
114699-76251	6	11
114699-76510	6	12
114699-76521	6	13
114699-76531	6	15
114699-76551	6	17
114699-76560	6	18
114699-76592	6	25
114699-76630	6	20
114699-76650	6	21
114699-76660	6	22
114699-76670	6	23
114699-76680	6	24
114770-59030	8	21
114770-61610	5	23

Parts No. Index

Parts No.	Fig. No.	Ref. No.
114771-14260	4	7
114780-61090	5	56
114980-12510	3	1
114980-12530	3	3
119620-11180	2	9
121750-59890	8	29
124060-23100	4	33
124195-77770	9	16
124298-77020	9	15
124722-59050	8	26
129792-22400	4	29
160110-01870	1	51
160710-78710	9	24
22117-080000	8	17
22190-160002	1	21
	10	20
22312-030160	2	43
	5	8
22322-030200	5	19
		20
22351-040008	2	29
22451-060000	5	57
22512-050140	4	19
23414-080000	8	4
	10	24
23876-010000	1	50
24101-062030	4	42
24101-063030	4	63
24162-152112	1	24
24341-000150	8	15
	10	31
24341-000224	5	12
	10	27
24423-355008	1	25
		26
26023-040102	9	31
26106-060082	6	26
26106-060122	5	9
	6	27
	9	25
		35
26106-060142	5	45
26106-060162	5	13
	8	20
26106-060202	6	5
	9	26
		36
26106-060252	3	12
26106-060302	5	46
26106-060702	2	34

Parts No.	Fig. No.	Ref. No.
26106-080122	1	27
26106-080182	3	16
26106-080352	1	16
26106-080452	8	18
26106-100302	9	19
26106-100552	2	30
26117-050089	5	43
26216-080182	3	17
26226-060142	3	13
26226-060182	1	12
26226-060222	1	13
26226-060502	2	31
26366-060002	1	14
	2	32
	8	19
26366-080002	3	18
26453-080252	1	54
26577-060142	9	27
26716-080002	9	20
26757-060002	5	37
26757-080002	5	47
26776-100002	5	55
26856-060002	2	22
		27
27310-070001	2	10
714299-66901	5	33
714650-23600	4	35
714650-23610	4	55
714650-23620	4	57
714650-53100	7	30
714670-11660	2	23
714688-21730	4	9
714699-14580	4	1
714699-23700	4	30
714699-51600	7	1
714699-55700	8	1
714699-61500	5	14
714699-61700	5	26
714970-22500	4	22
714970-22540	4	45
714970-22550	4	51
714970-28511	4	37
714980-22581	4	49
714980-22621	4	43
714980-22721	4	20
714988-92610	10	14
X2114274200	9	18
X2114715500	9	4
X2114811000	9	3
X211485016	9	11

Parts No.	Fig. No.	Ref. No.
-----------	----------	----------

Parts No.	Fig. No.	Ref. No.
-----------	----------	----------