

OCR10-M46200EN

Directions for the Parts Catalog.

1. The parts stipulated in this Parts Catalog are not necessarily standard equipped parts.
2. Parts may change without prior notice.
3. The following is an example of the Parts Catalog format.

0CF10-G21601 29. FUEL INJECTION PUMP(W/BOOST)

REF.	LEV.	PARTS NO.	DESCRIPTION	Q'TY						I	R
				(A)	(B)	(C)	(D)	(E)	(F)		
1		729595-51390	FUEL INJECTION PUMP	1	1	1	1	1	1		
1-1		729595-51391	FUEL INJECTION PUMP	1	1	1	1	1	1	N	1
3		26022-060162	SCREW M 6X 16		9	9	9	9	9		
3-1		26022-060162	SCREW M 6X 16		4	4	4	4	4	K	
4		129470-51040	CAMSHAFT	1	1	1	1	1	1		
5		122710-51050	BEARING, ROLLER	2	2	2	2	2	2		
6		129470-51060	RETAINER	1	1	1	1	1	1		

Remarks
 (1) BOOST COMPENSATOR TYPE. OPTIONAL PART, TO E00155,(4JH-DT, 4JH-DTZ)

① Ref. No.

The Ref. No. listed may not be in accordance with the illustration Ref. No.
 (Ex.) Illustration No. List Ref No.
 1 1 (Before change) → 1-1 (After change)
 For interchangeable symbols N, R and K, illustrations for new parts may be abbreviated.

② Lev. (Level)

Level indication
 The numbers below indicate the level of relativity towards the main part.
 1 ---- Main parts (Assembly parts)
 2 ---- Sub component included in " 1 ".
 3 ---- Sub component included in " 2 ".
 Note) Parts that are not for sale are partially illustrated but not listed.

③ Interchangeability Mark

When a part change takes place, one of the following interchangeability symbols is indicated beside the part.

Symbol	Interchangeability	Contents note
N	Old ← $\begin{matrix} \text{Yes} \\ \text{No} \end{matrix}$ → New	New Part is interchangeable for Old Part but Old Part is not interchangeable for New Part.
Q	Old ← $\begin{matrix} \text{No} \\ \text{Yes} \end{matrix}$ → New	New Part is not interchangeable for Old Part but Old Part is interchangeable for New Part.
R	Old ← $\begin{matrix} \text{Yes} \\ \text{Yes} \end{matrix}$ → New	New/ Old Parts are both interchangeable.
S	Old ← $\begin{matrix} \text{No} \\ \text{No} \end{matrix}$ → New	New/ Old Parts are both not interchangeable.
W		Part newly added.
Z		Part discontinued.
F		Not interchangeable by a single part but interchangeable together with related parts.
K		Changes only for used parts quantities.

④ Effective Machine No.

When a part changes, the effective Machine No. will be indicated in the (A)-(F) column.

Product Symbol	Product No.	Product Symbol	Product No.
C	Clutch No. Compressor No.	F	Machine No. (Agricultural Equip.)
D	Drive No.	M	Machine No.
E	Engine No.		

- Note 1) A date may follow the symbol. (Ex.) 1996.01
 Note 2) "XXXXX" and "ZZZZZ" are for parts that could not be predicted or for engine models that could not be identified.
 Note 3) (A=E00185) is the E (Engine Serial Number) for the column (A) model (in this case 4JH-DT) after the parts design change.

⑤ Remarks Mark

Figures or alphabets (symbols) are entered in the remarks column.
 The comments (remarks) on parts that are indicated at the bottom of the illustration are the same symbols as those stated above.

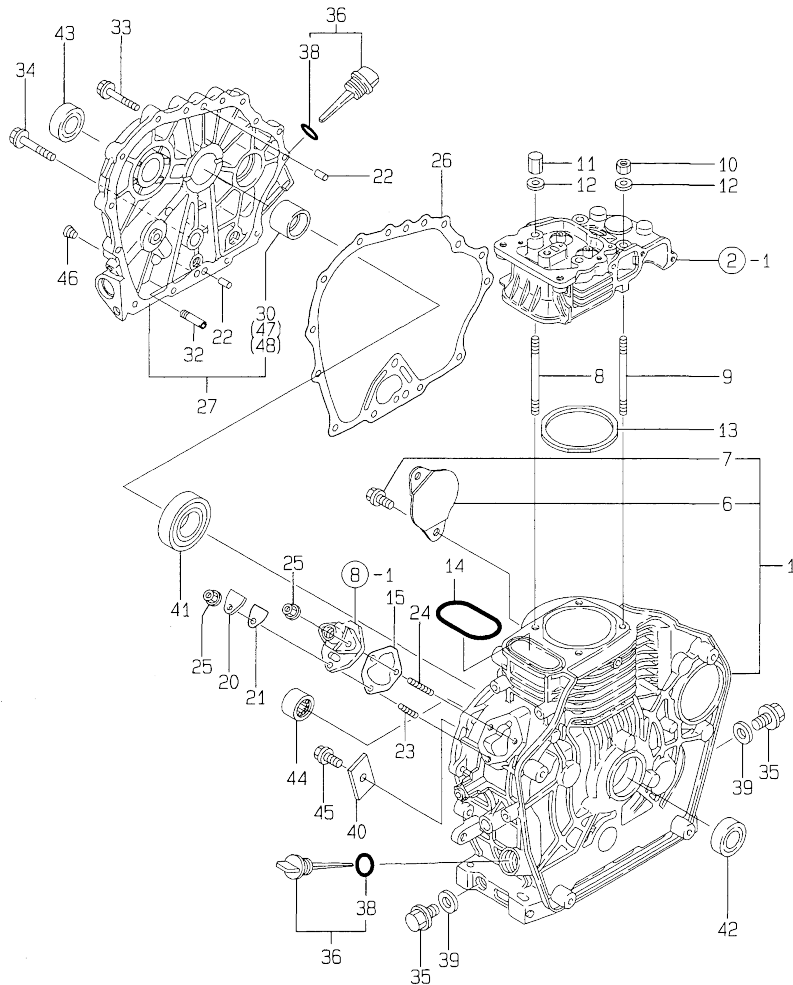
Contents

Fig. No.	Fig. Name
L40AE-100AE-D(E)GTM	
1.	CYLINDER BLOCK
2.	CYLINDER HEAD & BONNET
3.	AIR CLEANER
4.	MUFFLER
5.	CRANKSHAFT,PISTON & CAMSHAFT
6.	LUB.OIL PUMP & GOVERNOR
7.	COOLING & STARTING DEVICE
8.	FUEL INJECTION PUMP
9.	FUEL TANK &FUEL LINE
10.	STARTING MOTOR & DYNAMO
11.	TOOL,LABEL & GASKET SET
12.	CYLINDER BLOCK
13.	CYLINDER HEAD & BONNET
14.	AIR CLEANER
15.	MUFFLER
16.	CRANKSHAFT,PISTON & CAMSHAFT
17.	LUB.OIL PUMP & GOVERNOR
18.	COOLING & STARTING DEVICE
19.	FUEL INJECTION PUMP
20.	FUEL TANK & FUEL LINE
21.	STARTING MOTOR & DYNANO
22.	TOOL,LABEL & GASKET SET
23.	CYLINDER BLOCK
24.	CYLINDER HEAD & BONNET

Fig. No.	Fig. Name
25.	AIR CLEANER
26.	MUFFLER
27.	CRANKSHAFT,PISTON & CAMSHAFT
28.	LUB.OIL PUMP & GOVERNOR
29.	COOLING & STARTING DEVICE
30.	FUEL INJECTION PUMP
31.	FUEL TANK & FUEL LINE
32.	STARTING MOTOR & DYNAMO
33.	TOOL,LABEL & GASKET SET

Fig.1. CYLINDER BLOCK

1. CYLINDER BLOCK



(A)=L40AE-D(EGTM)
 (B)=L48AE-D(EGTM)
 (C)=L60AE-D(EGTM)

(D)=L70AE-D(EGTM)
 (E)=L90AE-D(EGTM)
 (F)=L100AED(EGTM)

No.	Lev.	Parts No.	Description	Q'ty						I	R
				(A)	(B)	(C)	(D)	(E)	(F)		
1A	1	714270-01560	BLOCK ASSY, CYLINDER	1							3
1B	1	714271-01560	BLOCK ASSY, CYLINDER	1							4
1C	1	714771-01560	BLOCK ASSY, CYLINDER		1						
6	2	114350-01700	COVER	1	1						
7	2	26106-100122	BOLT, M10X 12 PLATED	2	2						
8	1	114250-01200	BOLT, HEAD	2	2						
9	1	114250-01210	BOLT, HEAD	2	2						
10	1	114250-01220	NUT, CYLINDER HEAD	2	2						
11	1	114250-01250	NUT, CAP	2	2						
12	1	124950-01250	WASHER	4	4						
13A	1	114250-01340	GASKET, HEAD	1							G
13B	1	114770-01340	GASKET, HEAD		1						G
14	1	114250-01380	O-RING	1	1						G
15	1	114250-01800	SHIM SET	1	1						
20	1	114250-01830	COVER	1	1						
21	1	114250-01841	GASKET	1	1						G
22	1	114270-01600	PIN, M8X12	2	2						
23	1	26226-060182	STUD, M6X 18	1	1						
24	1	26226-060222	STUD, M6X 22	2	2						
25	1	26366-060002	NUT, M6	3	3						
26	1	114250-01412	GASKET, CRANK CASE	1	1						G
27	1	114260-01454	COVER, CRANK CASE	1	1						
30	2	114250-02100	BEARING, MAIN	1	1						1
32	1	114250-35150	PIPE, OIL INLET	1	1						
33	1	26106-060252	BOLT, M6X 25 PLATED	14	14						
34	1	26106-080352	BOLT, M8X 35 PLATED	1	1						
35	1	105425-01690	PLUG, 16	2	2						
36	1	160710-01760	CAP ASSY, L82	2	2						
38	2	24311-000180	O-RING, 1AP18.0	2	2						G
39	1	22190-160002	WASHER, SEAL 16	2	2						G
40	1	114250-02030	RETAINER, BEARING	1	1						
41	1	114250-02113	BEARING, HR6306G3C3	1	1						
42	1	160110-02220	SEAL, OIL	1	1						
43	1	160210-02220	SEAL, 25X41.2X8	1	1						
44	1	24162-152112	BEARING, 152112	1	1						
45	1	26106-080122	BOLT, M8X 12 PLATED	1	1						
46	1	23871-010000	PLUG, R01	1	1						
47	1	114250-02200	BEARING, 0.25 US	1	1						2
48	1	114250-02210	BEARING, 0.50 US	1	1						2

Remarks

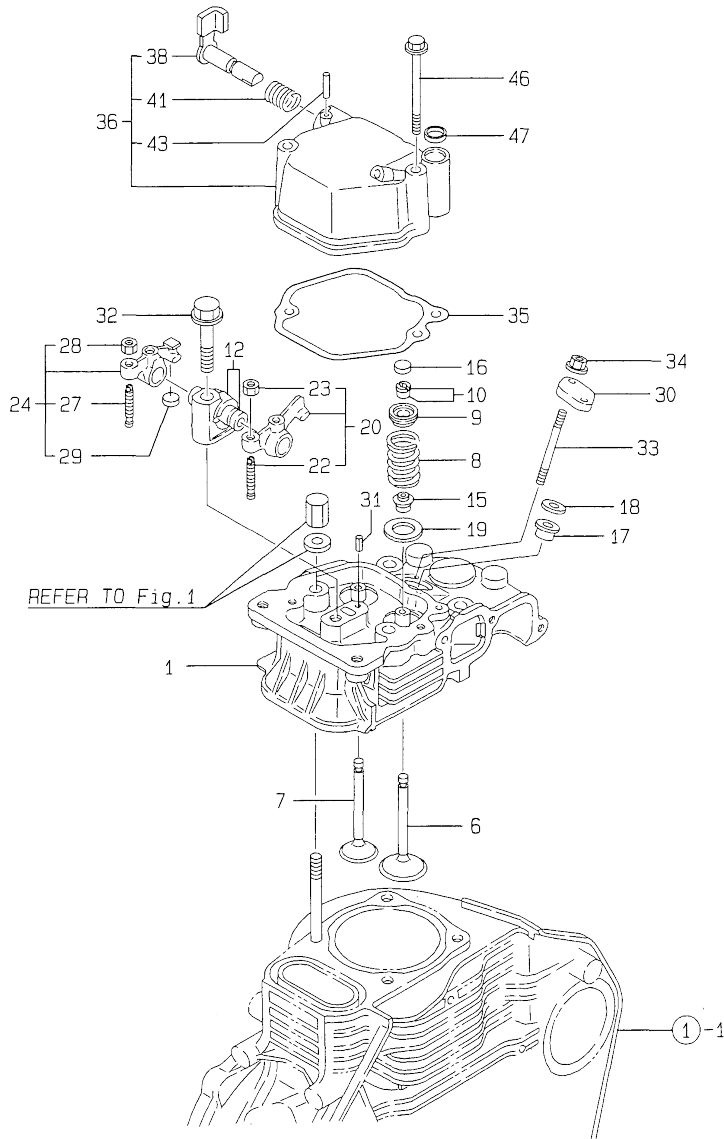
- (1) REPAIR PART.
- (2) UNDER-SIZED PART.
- (3) FOR L40AE-DGTM.
- (4) FOR L40AE-DEGTM.
- (G) THESE PARTS ARE SOLD BY FIG.11, REF.NO.15,16.

Fig.2. CYLINDER HEAD & BONNET

(A)=L40AE-D(EGTM)
 (B)=L48AE-D(EGTM)
 (C)=L60AE-D(EGTM)

(D)=L70AE-D(EGTM)
 (E)=L90AE-D(EGTM)
 (F)=L100AED(EGTM)

2. CYLINDER HEAD & BONNET



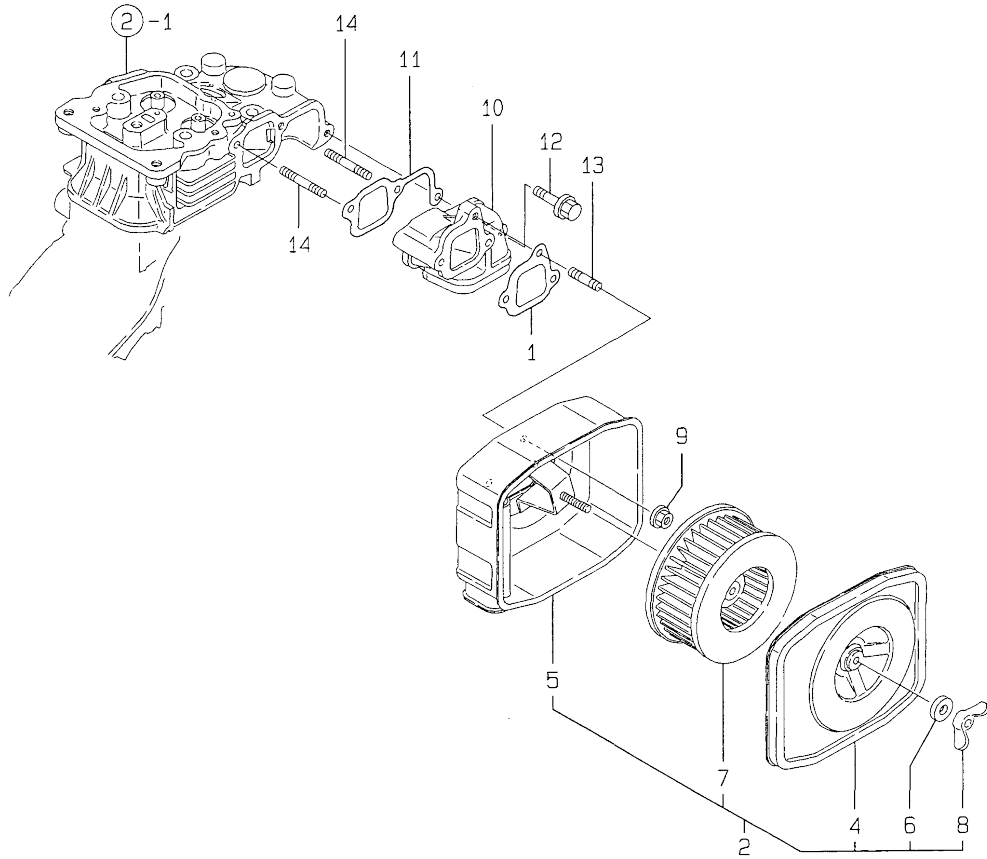
No.	Lev.	Parts No.	Description	Q'ty						I	R
				(A)	(B)	(C)	(D)	(E)	(F)		
1	1	114770-11020	HEAD ASSY, CYLINDER	1	1						
6	1	114250-11101	VALVE, INTAKE	1	1						
7	1	114250-11113	VALVE, EXHAUST	1	1						
8	1	114250-11120	SPRING, VALVE	2	2						
9	1	114250-11180	RETAINER, SPRING	2	2						
10	1	714250-11570	COTTER ASSY	2	2						
12	1	114250-11290	SUPPORT, ROCKER ARM	1	1						
15	1	114250-11340	SEAL, VALVE STEM	2	2						G
16	1	119260-11370	CAP, VALVE	1	1						
17	1	114250-11460	GASKET, NOZZLE	1	1						G
18	1	114350-11470	SPACER, NOZZLE	1	1						
19	1	114250-11600	WASHER	2	2						
20	1	114250-11651	ARM, ROCKER	1	1						
22	2	114250-11240	SCREW, VALVE ADJUST	1	1						
23	2	26756-060002	NUT, LOCK M6	1	1						
24	1	714270-11660	ARM ASSY, ROCKER	1	1						
27	2	114250-11240	SCREW, VALVE ADJUST	1	1						
28	2	26756-060002	NUT, LOCK M6	1	1						
29	2	119260-11370	CAP, VALVE	1	1						
30	1	114250-11900	RETAINER, NOZZLE	1	1						
31	1	22351-040008	PIN, SPRING 4.0X 8	1	1						
32	1	26106-080452	BOLT, M8X 45 PLATED	1	1						
33	1	26226-060502	STUD, M6X 50	2	2						
34	1	26366-060002	NUT, M6	2	2						
35	1	114250-11311	GASKET, BONNET	1	1						G
36	1	114250-11951	BONNET ASSY, HEAD	1	1						
38	2	114250-03591	LEVER ASSY	1	1						
41	2	114250-03640	SPRING, DECOMPRESSION	1	1						
43	2	22312-030160	PIN, PARALLEL M3X16	1	1						
46	1	26106-060552	BOLT, M6X 55 PLATED	2	2						
47	1	129100-61850	PLUG, 12	1	1						

Remarks

(G) THESE PARTS ARE SOLD BY FIG.11,
 REF.NO.15,16.

Fig.3. AIR CLEANER

3. AIR CLEANER



(A)=L40AE-D(EGTM)
 (B)=L48AE-D(EGTM)
 (C)=L60AE-D(EGTM)

(D)=L70AE-D(EGTM)
 (E)=L90AE-D(EGTM)
 (F)=L100AED(EGTM)

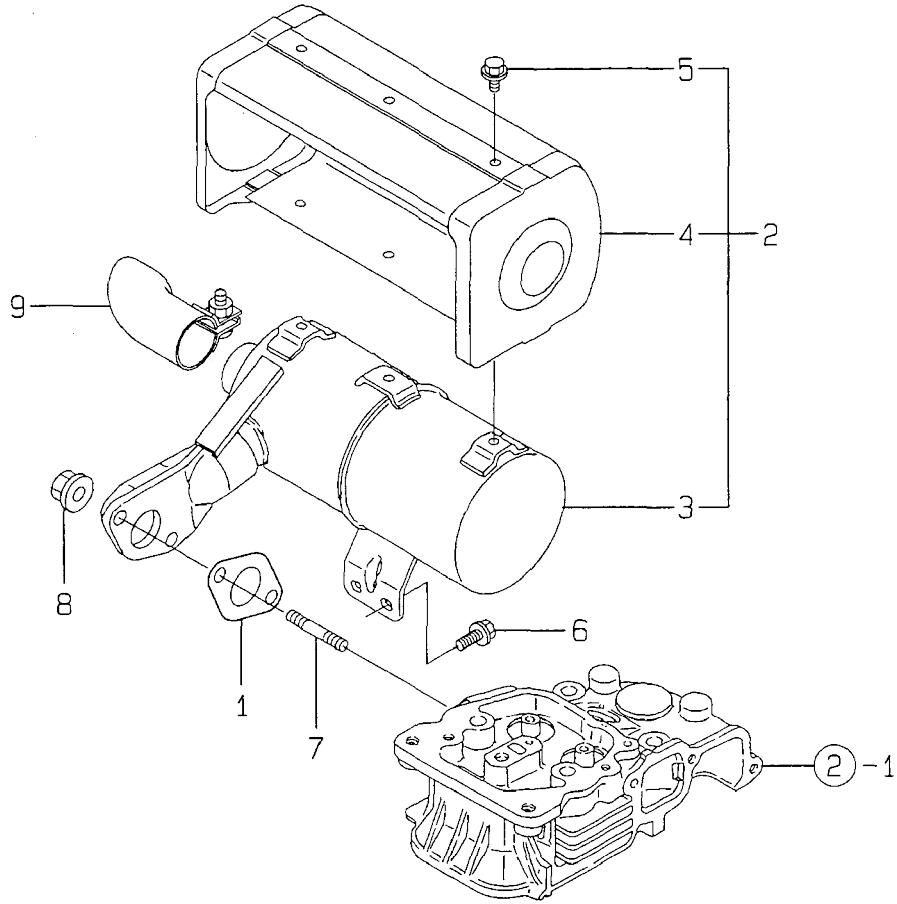
No.	Lev.	Parts No.	Description	Q'ty						I	R
				(A)	(B)	(C)	(D)	(E)	(F)		
1	1	114250-12211	GASKET, AIR CLEANER	1	1						G
2	1	714250-12560	CLEANER ASSY, AIR	1	1						
4	2	114250-12520	COVER, AIR CLEANER	1	1						
5	2	114250-12530	CASE ASSY, CLEANER	1	1						
6	2	114250-12560	WASHER, SEAL M6	1	1						
7	2	114250-12580	ELEMENT	1	1						
8	2	114250-12550	NUT, WING M6	1	1						
9	1	26366-060002	NUT, M6	3	3						
10	1	114250-12010	PIPE, AIR INTAKE	1	1						
11	1	114250-12201	GASKET	1	1						G
12	1	26106-060252	BOLT, M6X 25 PLATED	1	1						
13	1	26226-060142	STUD, M6X 14	1	1						
14	1	26226-060552	STUD, M6X 55	2	2						

Remarks

(G) THESE PARTS ARE SOLD BY FIG.11, REF.NO.15,16.

Fig.4. MUFFLER

4. MUFFLER



(A)=L40AE-D(EGTM)
 (B)=L48AE-D(EGTM)
 (C)=L60AE-D(EGTM)

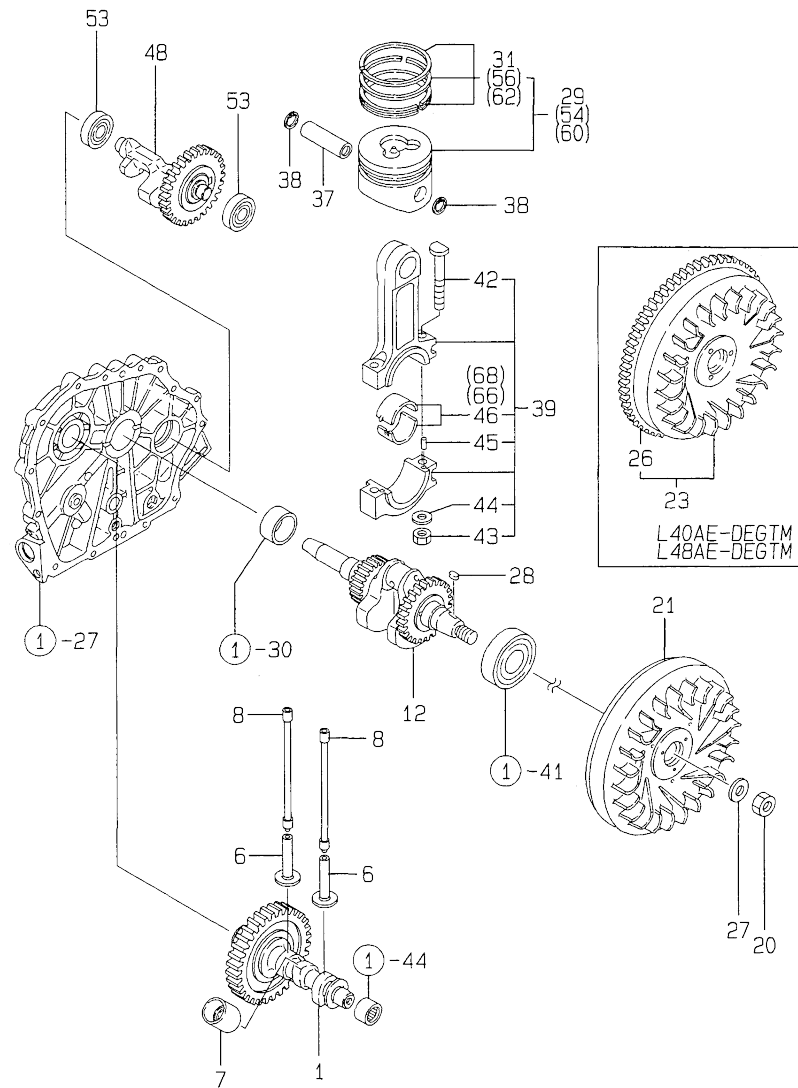
(D)=L70AE-D(EGTM)
 (E)=L90AE-D(EGTM)
 (F)=L100AED(EGTM)

No.	Lev.	Parts No.	Description	Q'ty						I	R
				(A)	(B)	(C)	(D)	(E)	(F)		
1	1	114250-13201	GASKET, MUFFLER	1	1						G
2	1	114268-13500	MUFFLER ASSY	1	1						
3	2	114268-13510	MUFFLER	1	1						
4	2	114268-13700	COVER, SILENCER	1	1						
5	2	26106-060082	BOLT, M6X 8 PLATED	6	6						
6	1	26106-060122	BOLT, M6X 12 PLATED	2	2						
7	1	26216-080182	STUD, M8X 18	2	2						
8	1	26366-080002	NUT, M8	2	2						
9	1	114268-13800	PIPE	1	1						

Remarks
 (G) THESE PARTS ARE SOLD BY FIG.11,
 REF.NO.15,16.

Fig.5. CRANKSHAFT,PISTON & CAMSHAFT

5. CRANKSHAFT, PISTON & CAMSHAFT



No.	Lev.	Parts No.	Description	Q'ty						I	R
				(A)	(B)	(C)	(D)	(E)	(F)		
1	1	714780-14580	CAMSHAFT ASSY	1	1						
1-1	1	714780-14581	CAMSHAFT ASSY, D	1	1						R
		(A=EZZZZZ) (B=EZZZZZ)									
6	1	114250-14200	TAPPET	2	2						
7	1	114250-14260	TAPPET	1	1						
8	1	114250-14450	ROD ASSY, PUSH	2	2						
12	1	714288-21730	CRANKSHAFT ASSY	1	1						
20	1	103854-01221	NUT, CYLINDER HEAD	1	1						
21	1	114780-21400	FLYWHEEL	1	1						
23	1	114781-21590	FLYWHEEL ASSY	1	1						1
26	2	114262-21600	GEAR, RING	1	1						1
27	1	114250-21550	WASHER	1	1						
28	1	22512-040120	KEY, 4X 12	1	1						
29A	1	714280-22720	PISTON ASSY, D	1							
29B	1	714780-22720	PISTON ASSY, D		1						
31A	2	714250-22502	RING SET, PISTON	1							
31B	2	714770-22500	RING SET, PISTON		1						
37	1	114250-22302	PIN, PISTON D=19	1	1						
38	1	22252-000190	RING, 19	2	2						
39	1	714250-23703	ROD ASSY, CONNECTING	1	1						
39-1	1	714770-23700	ROD ASSY, CONNECTING	1	1						N
		(A=*1999.11) (B=*1999.11)									
42	2	114250-23200	BOLT, CONNECTING ROD	2	2						
42-1	2	119265-23200	BOLT, CONNECTING ROD	2	2						S
		(A=*1999.11) (B=*1999.11)									
43	2	114250-23220	NUT	2	2						Z
		(A=*1999.11) (B=*1999.11)									
44	2	114250-23250	WASHER	2	2						Z
		(A=*1999.11) (B=*1999.11)									
45	2	22312-030080	PIN, PARALLEL M3X 8	2	2						Z
		(A=*1999.11) (B=*1999.11)									
46	2	714250-23600	BEARING, CRANK PIN	1	1						
46-1	2	714770-23600	BEARING, CRANK PIN	1	1						S
		(A=*1999.11) (B=*1999.11)									
47A	2	114770-23100	BEARING, PISTON PIN	1	1						W
		(A=*1999.11) (B=*1999.11)									
48	1	714770-28510	SHAFT ASSY, BALANCER	1	1						
48-1	1	714770-28511	SHAFT ASSY, BALANCER	1	1						R
		(A=EZZZZZ) (B=EZZZZZ)									
48-2	1	714770-28512	SHAFT ASSY, BALANCER	1	1						R
		(A=EZZZZZ) (B=EZZZZZ)									
53	1	24101-062024	BEARING, BALL 6202	2	2						
54A	1	714280-22620	PISTON ASSY, 0.25 OS	1							2
54B	1	714780-22620	PISTON ASSY, 0.25 OS		1						2
56A	2	714250-22542	RING SET, 0.25 OS	1							2
56B	2	714770-22540	RING SET, 0.25 OS		1						2
60A	1	714280-22580	PISTON ASSY, 0.50 OS	1							2
60B	1	714780-22580	PISTON ASSY, 0.50 OS		1						2
62A	2	714250-22550	RING SET, 0.50 OS	1							2
62B	2	714770-22550	RING SET, 0.50 OS		1						2
66	1	714250-23610	BEARING ASSY, 0.25	1	1						3

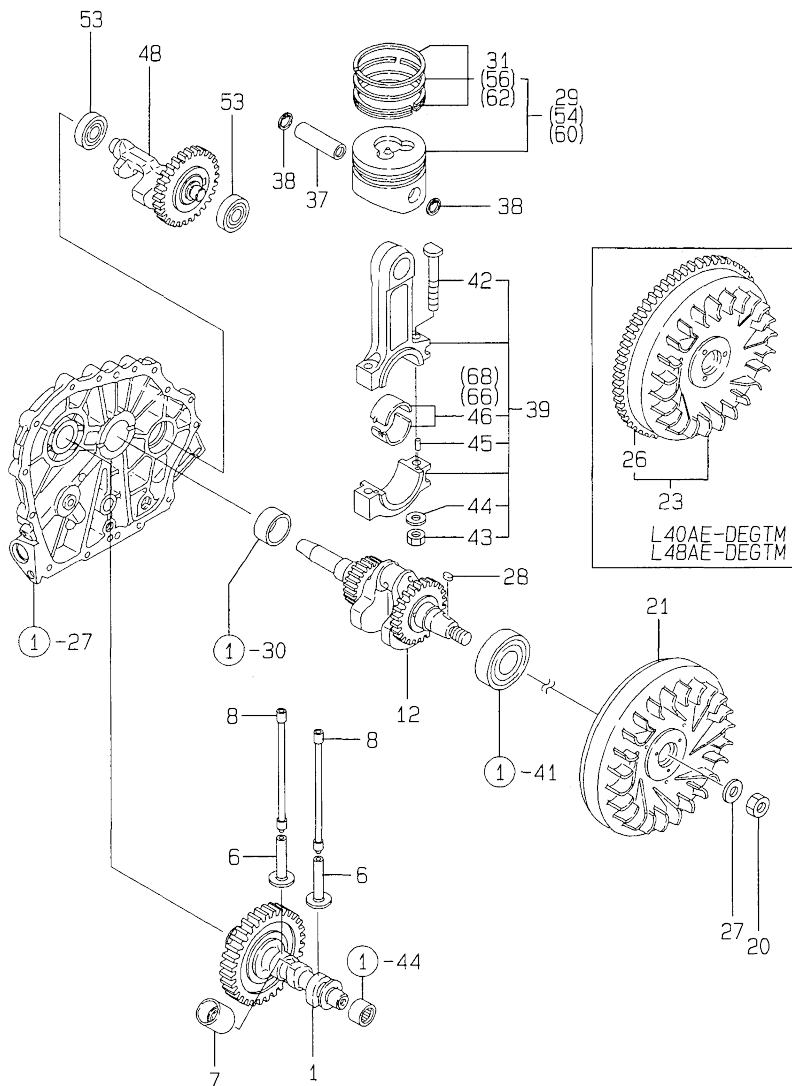
Remarks
 (1) FOR L40AE-DEGTM,L48AE-DEGTM.
 (2) OVER-SIZED PART.
 (3) UNDER-SIZED PART.

Fig.5. CRANKSHAFT,PISTON & CAMSHAFT

(A)=L40AE-D(EGTM)
 (B)=L48AE-D(EGTM)
 (C)=L60AE-D(EGTM)
 (D)=L70AE-D(EGTM)
 (E)=L90AE-D(EGTM)
 (F)=L100AED(EGTM)

5. CRANKSHAFT, PISTON & CAMSHAFT

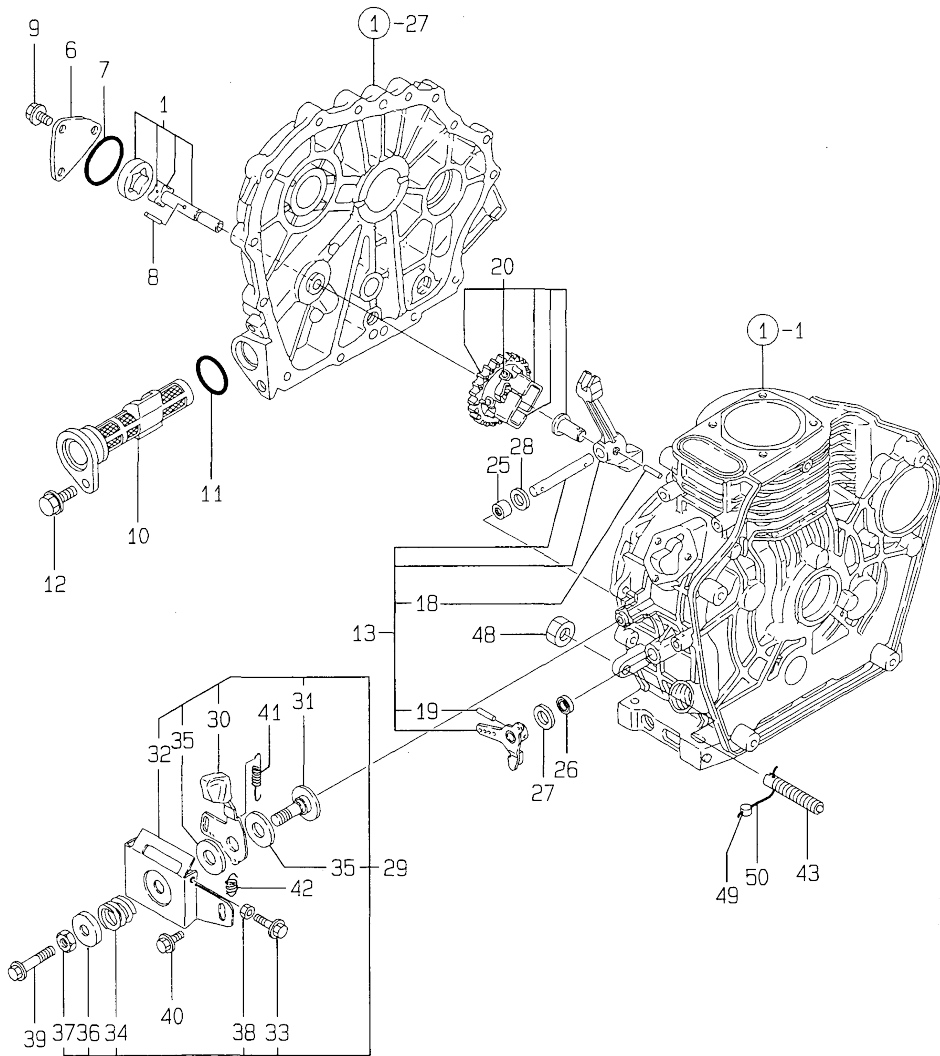
No.	Lev.	Parts No.	Description	Q'ty						I	R
				(A)	(B)	(C)	(D)	(E)	(F)		
66-1	1	714770-23610	BEARING ASSY, 0.25	1	1					S	3
		(A)**1999.11)	(B)**1999.11)								
68	1	714250-23620	BEARING, 0.50 US	1	1						3
68-1	1	714770-23620	BEARING, 0.50 US	1	1					S	3
		(A)**1999.11)	(B)**1999.11)								



Remarks
 (1) FOR L40AE-DEGTM,L48AE-DEGTM.
 (2) OVER-SIZED PART.
 (3) UNDER-SIZED PART.

Fig.6. LUB.OIL PUMP & GOVERNOR

6.LUB.OIL PUMP & GOVERNOR



(A)=L40AE-D(EGTM)
(B)=L48AE-D(EGTM)
(C)=L60AE-D(EGTM)

(D)=L70AE-D(EGTM)
(E)=L90AE-D(EGTM)
(F)=L100AED(EGTM)

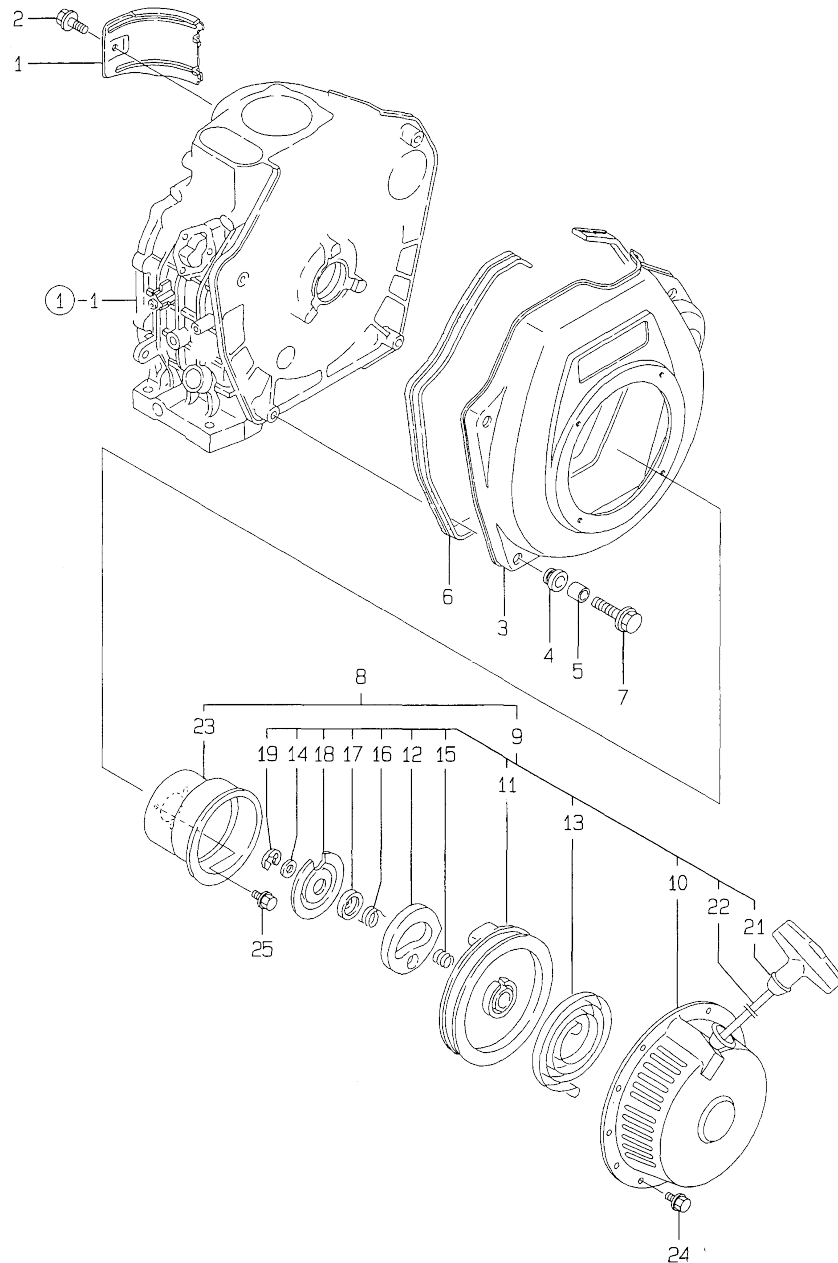
No.	Lev.	Parts No.	Description	Q'ty						I	R
				(A)	(B)	(C)	(D)	(E)	(F)		
1	1	114250-32010	PUMP ASSY, OIL	1	1						
6	1	114250-32070	COVER	1	1						
7	1	103338-32570	O-RING	1	1						G
8	1	22312-030160	PIN, PARALLEL M3X16	1	1						
9	1	26476-060142	SCREW, TAPPING M6X14	3	3						
10	1	114250-35070	FILTER, OIL	1	1						
11	1	24341-000224	O-RING, 1AS22.4	1	1						G
12	1	26106-060162	BOLT, M6X 16 PLATED	1	1						
13	1	714250-61500	LEVER ASSY, GOVERNOR	1	1						
18	2	22322-030200	PIN, TAPER 3X20	1	1						
19	2	22322-030200	PIN, TAPER 3X20	1	1						
20	1	714770-61700	GOVERNOR ASSY	1	1						
25	1	114270-61520	BEARING, NEEDLE 8	2	2						
26	1	114770-61600	SEAL, OIL	1	1						
27	1	114770-61610	WASHER, THRUST	1	1						
28	1	114770-61190	WASHER	1	1						
29	1	183250-66500	BRACKET ASSY	1	1						
30	2	183250-66050	HANDLE, REGULATOR	1	1						
31	2	183250-66070	SHAFT, HANDLE	1	1						
32	2	183250-66100	BRACKET, RADIATOR	1	1						
33	2	114250-66440	BOLT, ADJUSTING	1	1						
34	2	104200-66820	SPRING	1	1						
35	2	104200-66830	PLATE, FRICTION	2	2						
36	2	104200-66850	WASHER	1	1						
37	2	26696-100002	NUT, LOCK M10	1	1						
38	2	26757-060002	NUT, LOCK M6	1	1						
39	1	26106-060452	BOLT, M6X 45 PLATED	1	1						
40	1	26476-060142	SCREW, TAPPING M6X14	1	1						
41	1	114770-66010	SPRING, REGULATOR	1	1						
42	1	114250-66200	SPRING, RETURN	1	1						
43	1	114770-66550	LIMITER ASSY, FUEL	1	1						
48	1	26696-100002	NUT, LOCK M10	1	1						
49	1	135210-61090	LEAD	2	2						
50	1	22451-060000	WIRE, 0.6	2	2						

Remarks

(G) THESE PARTS ARE SOLD BY FIG.11, REF.NO.15,16.

Fig.7. COOLING & STARTING DEVICE

7. COOLING & STARTING DEVICE

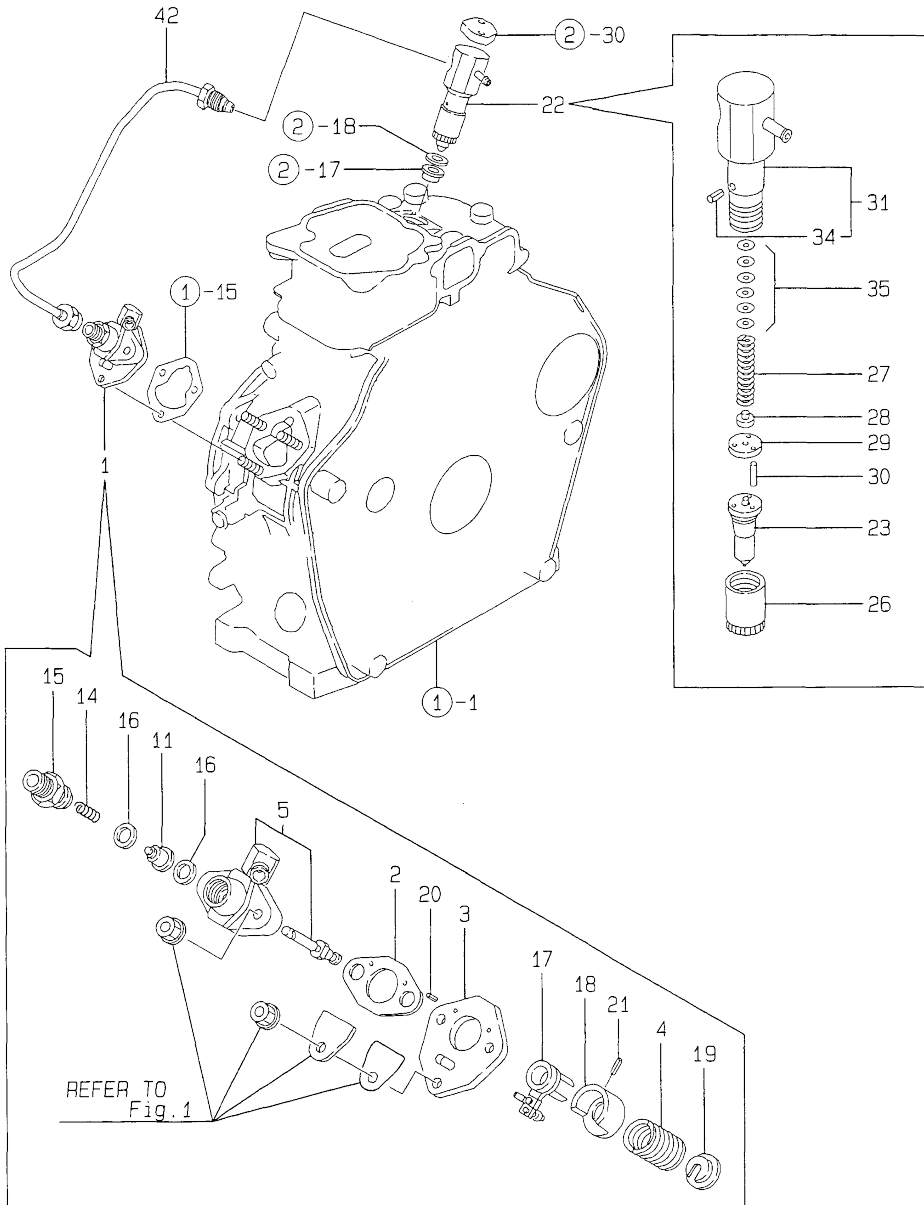


(A)=L40AE-D(EGTM)
 (B)=L48AE-D(EGTM)
 (C)=L60AE-D(EGTM)
 (D)=L70AE-D(EGTM)
 (E)=L90AE-D(EGTM)
 (F)=L100AED(EGTM)

No.	Lev.	Parts No.	Description	Q'ty						I	R
				(A)	(B)	(C)	(D)	(E)	(F)		
1	1	114250-45211	COVER	1	1						
2	1	26476-060142	SCREW, TAPPING M6X14	1	1						
3	1	114788-45100-R	CASE, COOLING FAN	1	1						
4	1	114250-45300	ABSORBER	4	4						
5	1	114250-45310	COLLAR	4	4						
6	1	114250-45330	SEAL, FAN CASE L=875	1	1						
7	1	114370-45350	BOLT	4	4						
8	1	114260-76050	STARTER ASSY, RECOIL	1	1						
9	2	114260-76250	STARTER ASSY, RECOIL	1	1						
10	3	114260-76520	CASE, STARTER	1	1						
11	3	160260-76520	REEL	1	1						
12	3	160260-76530	RATCHET	1	1						
13	3	160260-76540	SPRING, SPIRAL	1	1						
14	3	160260-76550	WASHER, THRUST	1	1						
15	3	160260-76560	SPRING, FRICTION	1	1						
16	3	160290-76570	SPRING, RETURN	1	1						
17	3	160260-76580	COVER	1	1						
18	3	160260-76590	PLATE, FRICTION	1	1						
19	3	160260-76600	CIRCLIP	1	1						
21	3	160260-76620	KNOB, STARTER	1	1						
22	3	160260-76630	ROPE, STARTER	1	1						
23	2	114250-76590	PULLEY, STARTER	1	1						
24	1	26106-060082	BOLT, M6X 8 PLATED	4	4						
25	1	26106-060122	BOLT, M6X 12 PLATED	3	3						

Fig.8. FUEL INJECTION PUMP

8.FUEL INJECTION PUMP



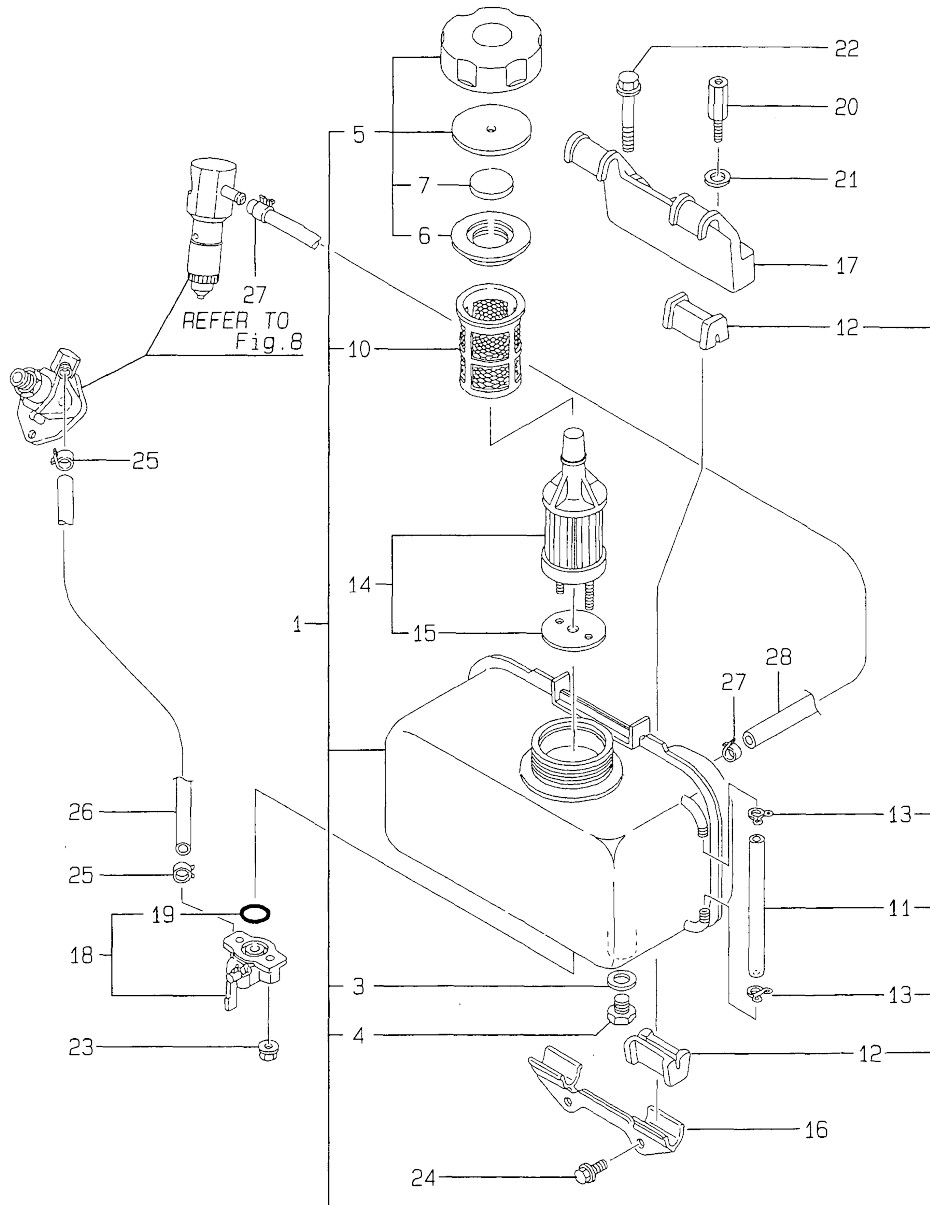
(A)=L40AE-D(EGTM)
 (B)=L48AE-D(EGTM)
 (C)=L60AE-D(EGTM)

(D)=L70AE-D(EGTM)
 (E)=L90AE-D(EGTM)
 (F)=L100AED(EGTM)

No.	Lev.	Parts No.	Description	Q'ty						I	R
				(A)	(B)	(C)	(D)	(E)	(F)		
1A	1	714250-51710	PUMP ASSY, INJECTION	1							
1B	1	714770-51740	PUMP ASSY, INJECTION		1						
2	2	105546-51020	GASKET	1	1						
3	2	114250-51080	PLATE	1	1						
4	2	114250-51160	SPRING, PLUNGER	1	1						
5A	2	114250-51400	BODY ASSY, PUMP	1							
5B	2	183250-51400	BODY ASSY, PUMP		1						
11	2	114250-51300	VALVE ASSY, DELIVERY	1	1						
14	2	105546-51330	SPRING, DELIVERY	1	1						
15	2	114250-51340	HOLDER, DELIVERY	1	1						
16	2	124550-51350	GASKET, DELIVERY	2	2						
17	2	114250-51600	LEVER ASSY, CONTROL	1	1						
18	2	114250-51640	SEAT, SPRING A	1	1						
19	2	114250-51650	SEAT, SPRING B	1	1						
20	2	22351-020006	PIN, SPRING 2.0X 6	2	2						
21	2	22351-030008	PIN, SPRING 3.0X 8	1	1						
22	1	714250-53101	VALVE ASSY,INJECTION	1	1						
23	2	114250-53001	VALVE ASSY,INJECTION	1	1						
26	2	114250-53080	NUT, NOZZLE D16.95	1	1						
27	2	114250-53120	SPRING, NOZZLE	1	1						
28	2	114250-53130	SEAT, SPRING	1	1						
29	2	114250-53140	PLATE	1	1						
30	2	114250-53210	PIN	2	2						
31	2	114250-53300	HOLDER ASSY, NOZZLE	1	1						
34	3	114250-53331	PIN	1	1						
35	2	114250-53400	SHIM SET	1	1						
42	1	114250-59800	PIPE ASSY, INJECTION	1	1						

Fig.9. FUEL TANK & FUEL LINE

9.FUEL TANK & FUEL LINE



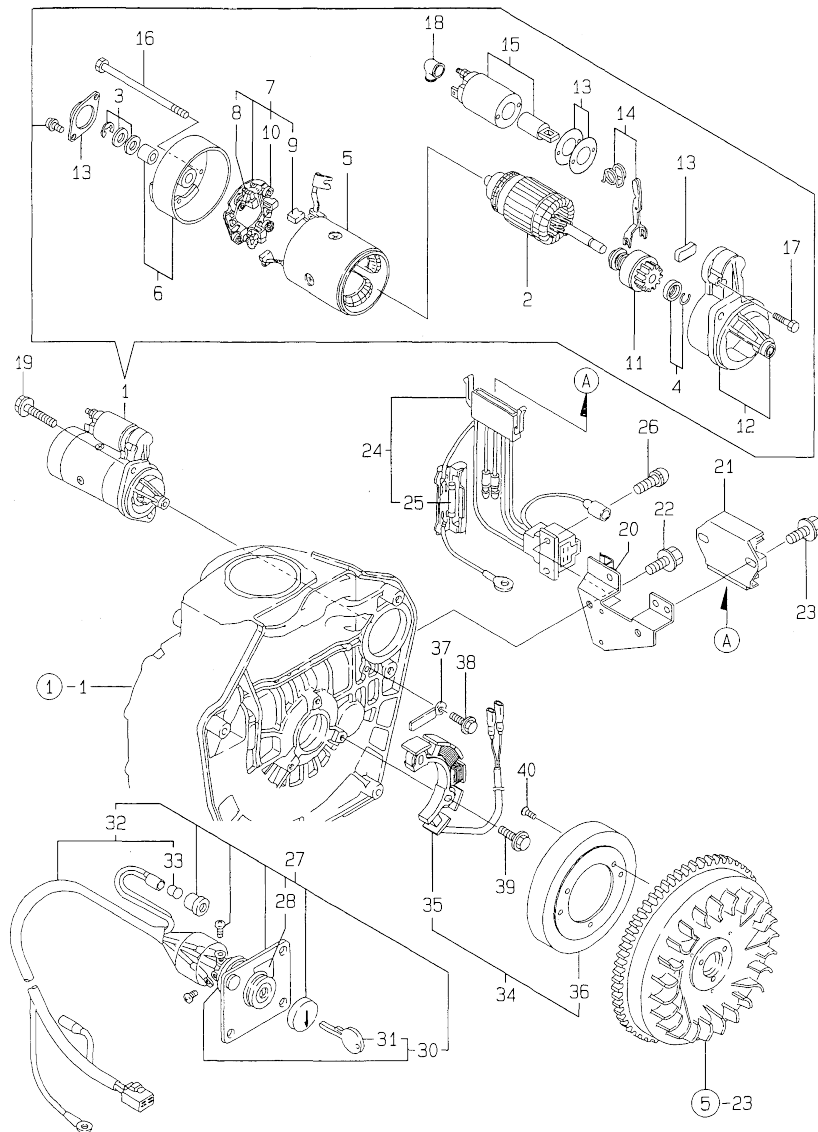
(A)=L40AE-D(EGTM)
 (B)=L48AE-D(EGTM)
 (C)=L60AE-D(EGTM)

(D)=L70AE-D(EGTM)
 (E)=L90AE-D(EGTM)
 (F)=L100AED(EGTM)

No.	Lev.	Parts No.	Description	Q'ty						I	R
				(A)	(B)	(C)	(D)	(E)	(F)		
1	1	714250-55711-R	TANK ASSY, FUEL	1	1						
3	2	23414-120000	GASKET, 12X1.0	1	1						
4	2	23887-120002	PLUG, 12	1	1						
5	2	114250-55041	CAP ASSY	1	1						
6	3	114250-55050	GASKET	1	1						
7	3	114250-55060	SEAL	1	1						
10	2	114250-55100	FILTER, FUEL	1	1						
11	2	114250-55150	GAUGE, LEVEL	1	1						
12	2	114250-55201	DAMPER, FUEL TANK	4	4						
13	2	124722-59050	CLIP, HOSE 9	2	2						
14	1	114250-55121	FILTER ASSY, FUEL	1	1						
15	2	114250-55130	GASKET	1	1						
16	1	114250-55211	STAY, FUEL TANK	1	1						
17	1	114250-55231	STAY, FUEL TANK	1	1						
18	1	114250-55300	COCK ASSY, FUEL	1	1						
19	2	24341-000150	O-RING, 1AS15.0	1	1						
20	1	114650-55810	BOLT	1	1						
21	1	22117-080000	WASHER, 8	1	1						
22	1	26106-080452	BOLT, M8X 45 PLATED	1	1						
23	1	26366-060002	NUT, M6	2	2						
24	1	26476-060142	SCREW, TAPPING M6X14	2	2						
25	1	106990-44660	CLIP, HOSE 12.5	2	2						
26	1	114250-59050	PIPE, FUEL L=46	1	1						
27	1	124722-59050	CLIP, HOSE 9	2	2						
28	1	114250-59060	PIPE, FUEL RETURN	1	1						

Fig.10. STARTING MOTOR & DYNAMO

10.STARTING MOTOR & DYNAMO



(A)=L40AE-D(EGTM)
 (B)=L48AE-D(EGTM)
 (C)=L60AE-D(EGTM)

(D)=L70AE-D(EGTM)
 (E)=L90AE-D(EGTM)
 (F)=L100AED(EGTM)

No.	Lev.	Parts No.	Description	Q'ty						I	R
				(A)	(B)	(C)	(D)	(E)	(F)		
1	1	114362-77011	STARTER(HITACHI 12V	1	1						1
2	2	114381-77110	ARMATURE	1	1						
3	2	X2114811000	WASHER KIT, THRUST	1	1						
4	2	X2114715500	STOPPER SET, PINION	1	1						
5	2	114381-77130	COIL ASSY, FIELD	1	1						
6	2	114381-77140	COVER, REAR	1	1						
7	2	114371-77160	HOLDER ASSY, BRUSH	1	1						
8	3	114371-79040	BRUSH (-)	2	2						
9	3	114371-79050	BRUSH (+)	1	1						
10	3	114371-79060	SPRING, BRUSH	4	4						
11	2	X2114455080	PINION ASSY	1	1						
12	2	114381-77150	HOUSING ASSY, GEAR	1	1						
13	2	114371-77170	COVER KIT, DUST	1	1						
14	2	X2114560130	LEVER KIT, SHIFT	1	1						
15	2	X2114275010	SWITCH ASSY, MAGNET	1	1						
16	2	X2114680050	BOLT, THROUGH	2	2						
17	2	114371-79070	BOLT M 6X 37	2	2						
18	2	X2114274200	COVER, TERMINAL	1	1						
19	1	26106-100302	BOLT, M10X 30 PLATED	2	2						1
20	1	114385-77400	BRACKET		1						2
21	1	119660-77710	LIMITER, CURRENT 15A		1						2
22	1	26106-060122	BOLT, M6X 12 PLATED		2						2
23	1	26106-060202	BOLT, M6X 20 PLATED		2						2
24	1	114351-77540	HARNES, WIRE		1						2
25	2	29411-150000	FUSE, CARTRIDGE 15A		2						2
26	1	114351-77550	SCREW, M4X6		2						2
27	1	114351-77500	PANEL ASSY		1						2
28	2	105198-07120	LABEL, STARTER		1						2
30	2	106100-77620	SWITCH, KEY		1						2
31	3	106100-77630	KEY, SWITCH		1						2
32	2	114351-77700	HARNES, WIRE		1						2
33	3	29220-083200	BULB (12V/3.4W)		1						2
34	1	114351-78261	DYNAMO ASSY		1						2
35	2	114351-78771	STATOR ASSY		1						2
36	2	114351-78781	WHEEL, DYNAMO		1						2
37	1	160710-78710	CLAMP, CORD		1						2
38	1	26476-060142	SCREW, TAPPING M6X14		1						2
39	1	26476-060202	SCREW, TAPPING M6X20		3						2
40	1	26577-060142	SCREW M 6X 14		3						2

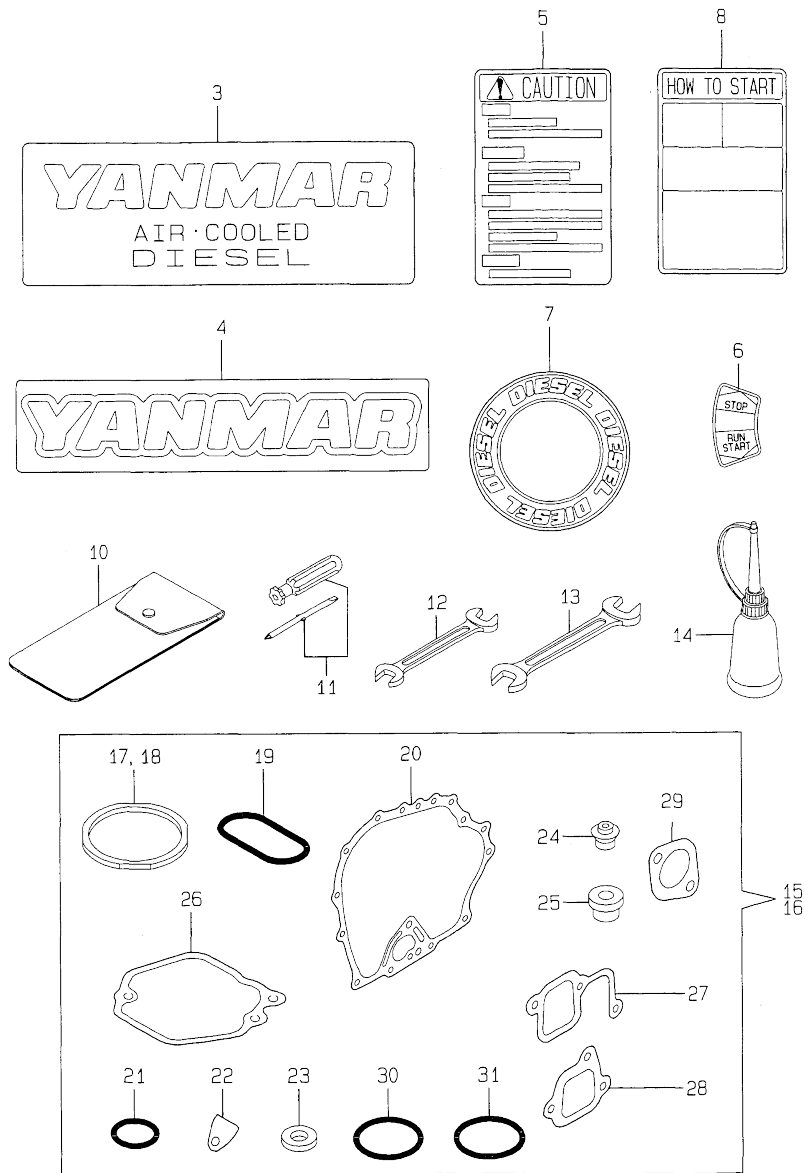
Remarks
 (1) FOR L40AE-DEGTM,L48AE-DEGTM.
 (2) FOR L48AE-DEGTM.

Fig.11. TOOL,LABEL & GASKET SET

11. TOOL, LABEL & GASKET SET

(A)=L40AE-D(EGTM)
 (B)=L48AE-D(EGTM)
 (C)=L60AE-D(EGTM)

(D)=L70AE-D(EGTM)
 (E)=L90AE-D(EGTM)
 (F)=L100AED(EGTM)



No.	Lev.	Parts No.	Description	Q'ty						I	R
				(A)	(B)	(C)	(D)	(E)	(F)		
3	1	114250-07090	LABEL, AIR COOLED	1	1						
4	1	114250-07111	LABEL, YANMAR	1	1						
5	1	114268-07240	LABEL, CAUTION	1	1						
6	1	183250-07230	LABEL, OPERATION	1	1						
7	1	114261-07350	LABEL	1	1						
8	1	114268-07350	LABEL, HOW TO START	1	1						
10	1	114250-92600	BAG, TOOL	1	1						
11	1	160330-92730	DRIVE, SCREW	1	1						
12	1	28110-100120	SPANNER, 10X12	1	1						
13	1	28110-140170	SPANNER, 14X17	1	1						
14	1	28210-000150	OILER	1	1						
15	1	714250-92602	GASKET SET	1							1
16	1	714770-92601	GASKET SET		1						1
17	2	114250-01340	GASKET, HEAD	1							
18	2	114770-01340	GASKET, HEAD		1						
19	2	114250-01380	O-RING	1	1						
20	2	114250-01412	GASKET, CRANK CASE	1	1						
21	2	24311-000180	O-RING, 1AP18.0	2	2						
22	2	114250-01841	GASKET	1	1						
23	2	22190-160002	WASHER, SEAL 16	2	2						
24	2	114250-11340	SEAL, VALVE STEM	2	2						
25	2	114250-11460	GASKET, NOZZLE	1	1						
26	2	114250-11311	GASKET, BONNET	1	1						
27	2	114250-12201	GASKET	1	1						
28	2	114250-12211	GASKET, AIR CLEANER	1	1						
29	2	114250-13201	GASKET, MUFFLER	1	1						
30	2	103338-32570	O-RING	1	1						
31	2	24341-000224	O-RING, 1AS22.4	1	1						

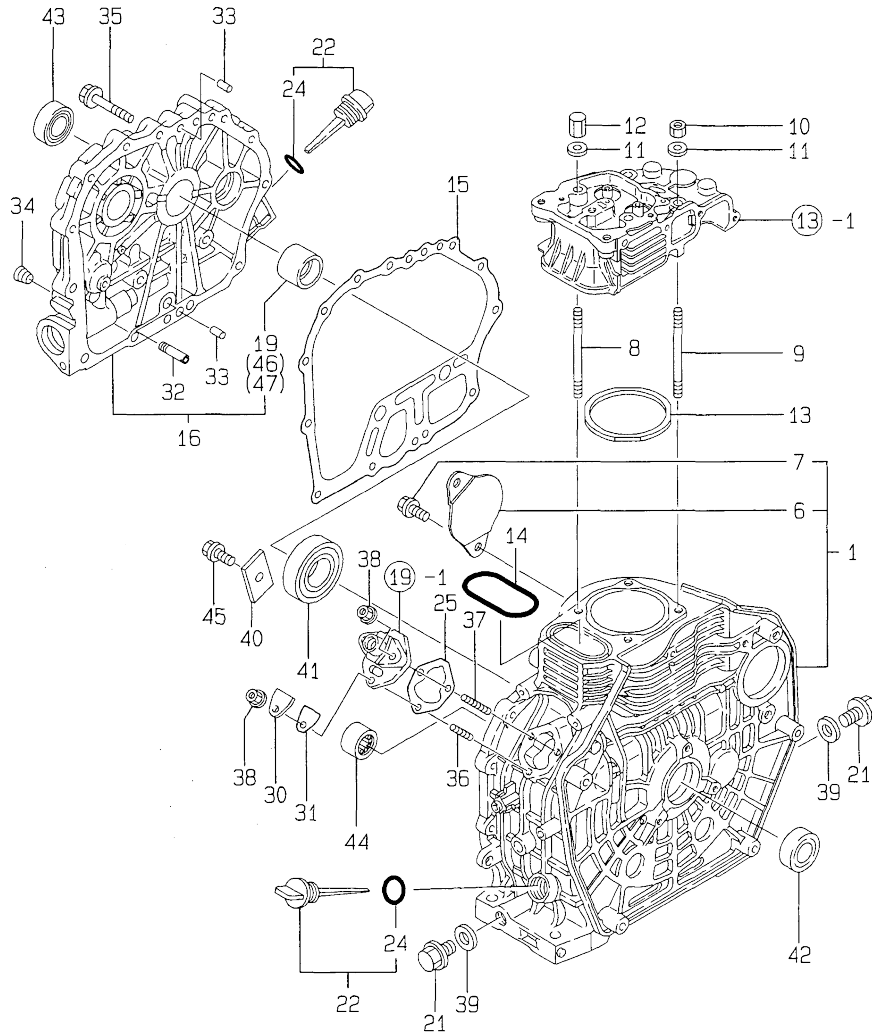
Remarks
 (1) OPTIONAL PARTS.

Fig.12. CYLINDER BLOCK

(A)=L40AE-D(EGTM)
 (B)=L48AE-D(EGTM)
 (C)=L60AE-D(EGTM)

(D)=L70AE-D(EGTM)
 (E)=L90AE-D(EGTM)
 (F)=L100AED(EGTM)

12. CYLINDER BLOCK



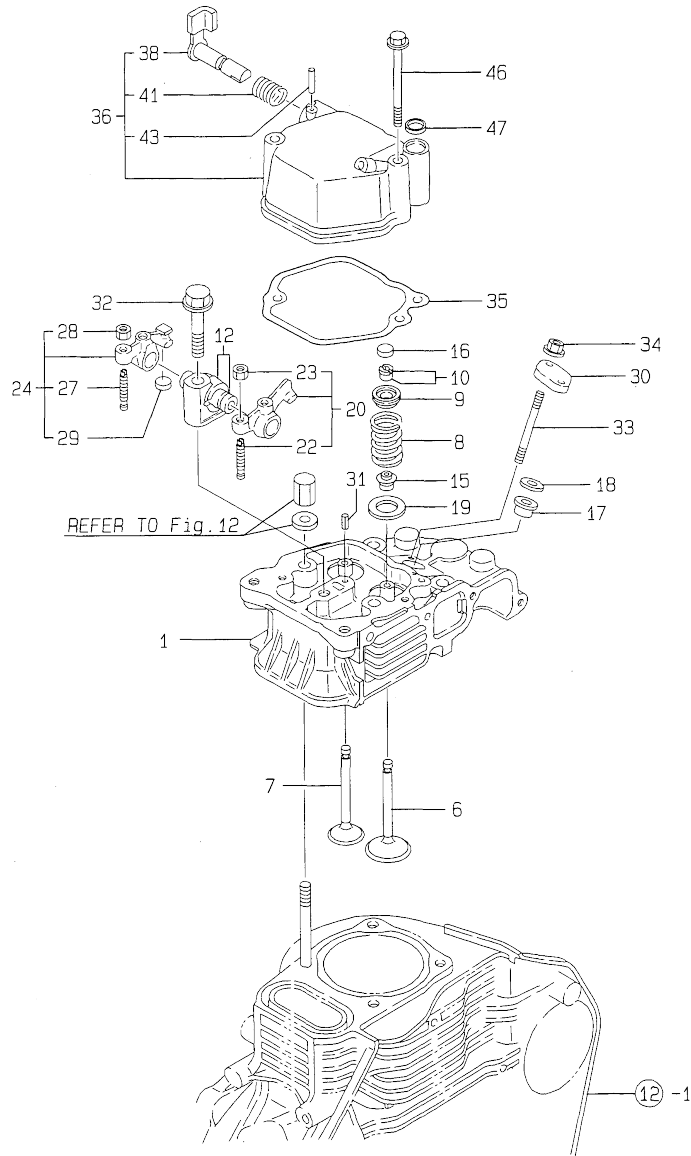
No.	Lev.	Parts No.	Description	Q'ty						I	R
				(A)	(B)	(C)	(D)	(E)	(F)		
1A	1	714371-01560	BLOCK ASSY, CYLINDER			1					
1B	1	714871-01560	BLOCK ASSY, CYLINDER						1		
6	2	114350-01700	COVER			1	1				
7	2	26106-100122	BOLT, M10X 12 PLATED			2	2				
8	1	114350-01200	BOLT, HEAD			2	2				
9	1	114350-01210	BOLT, HEAD			2	2				
10	1	114350-01220	NUT, CYLINDER HEAD			2	2				
11	1	105225-01240	WASHER			4	4				
12	1	114350-01250	NUT, CYLINDER HEAD			2	2				
13A	1	114350-01340	GASKET, HEAD			1					G
13B	1	114870-01340	GASKET, HEAD				1				G
14	1	114350-01380	O-RING			1	1				G
15	1	114350-01412	GASKET, CRANK CASE			1	1				G
16	1	114368-01453	COVER, CRANK CASE			1	1				
19	2	114350-02100	BEARING, MAIN			1	1				1
21	1	105425-01690	PLUG, 16			2	2				
22	1	160910-01740	CAP ASSY			2	2				
24	2	24311-000180	O-RING, 1AP18.0			2	2				G
25	1	114250-01800	SHIM SET			1	1				
30	1	114250-01830	COVER			1	1				
31	1	114250-01841	GASKET			1	1				G
32	1	114250-35150	PIPE, OIL INLET			1	1				
33	1	114270-01600	PIN, M8X12			2	2				
34	1	23871-010000	PLUG, R01			1	1				
35	1	26106-080352	BOLT, M8X 35 PLATED			15	15				
36	1	26226-060182	STUD, M6X 18			1	1				
37	1	26226-060222	STUD, M6X 22			2	2				
38	1	26366-060002	NUT, M6			3	3				
39	1	22190-160002	WASHER, SEAL 16			2	2				G
40	1	114250-02030	RETAINER, BEARING			1	1				
41	1	114350-02113	BEARING, B35-135G3C3			1	1				
42	1	160110-02220	SEAL, OIL			1	1				
43	1	160110-02220	SEAL, OIL			1	1				
44	1	24162-152112	BEARING, 152112			1	1				
45	1	26106-080122	BOLT, M8X 12 PLATED			1	1				
46	1	114350-02200	BEARING, 0.25 US			1	1				2
47	1	114350-02210	BEARING, 0.50 US			1	1				2

Remarks

- (1) REPAIR PART.
- (2) UNDER-SIZED PART.
- (G) THESE PARTS ARE SOLD BY FIG.22, REF.NO.15,16.

Fig.13. CYLINDER HEAD & BONNET

13.CYLINDER HEAD & BONNET



(A)=L40AE-D(EGTM)
(B)=L48AE-D(EGTM)
(C)=L60AE-D(EGTM)

(D)=L70AE-D(EGTM)
(E)=L90AE-D(EGTM)
(F)=L100AED(EGTM)

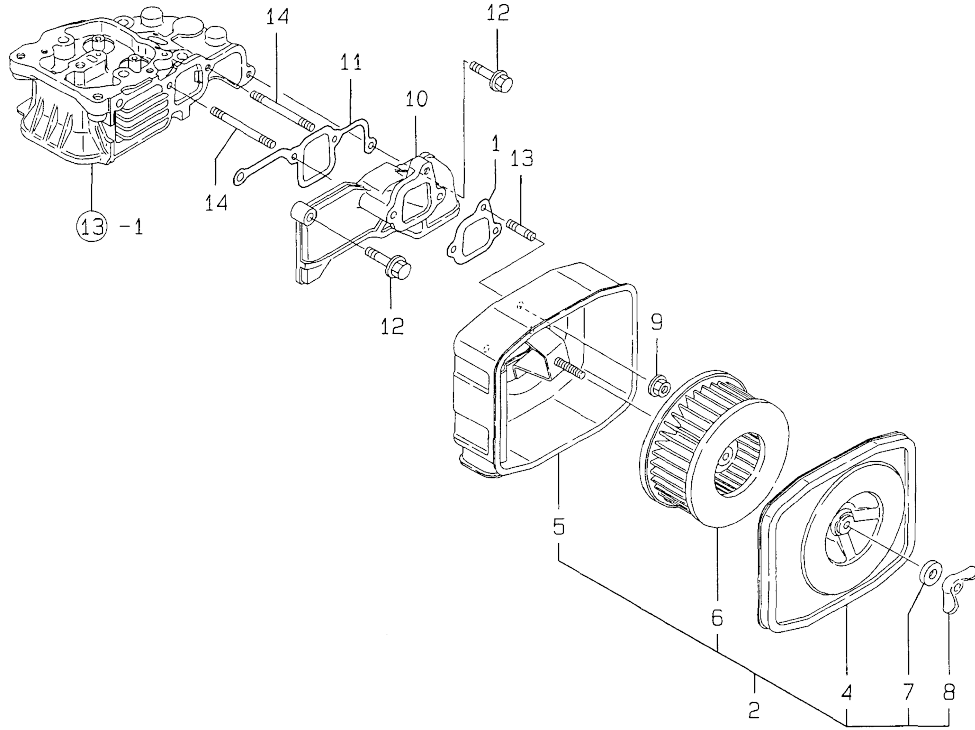
No.	Lev.	Parts No.	Description	Q'ty						I	R
				(A)	(B)	(C)	(D)	(E)	(F)		
1	1	114870-11021	HEAD ASSY, CYLINDER			1	1				
6	1	114350-11101	VALVE, INTAKE			1	1				
7	1	114350-11113	VALVE, EXHAUST			1	1				
8	1	114350-11120	SPRING, VALVE			2	2				
9	1	101158-11180	RETAINER, SPRING			2	2				
10	1	27310-060001	COTTER, 6			2	2				
12	1	114250-11290	SUPPORT, ROCKER ARM			1	1				
15	1	114350-11340	SEAL, VALVE STEM			2	2				G
16	1	105010-11490	CAP, VALVE			1	1				
17	1	114250-11460	GASKET, NOZZLE			1	1				G
18	1	114350-11470	SPACER, NOZZLE			1	1				
19	1	114250-11600	WASHER			2	2				
20	1	114250-11651	ARM, ROCKER			1	1				
22	2	114250-11240	SCREW, VALVE ADJUST			1	1				
23	2	26756-060002	NUT, LOCK M6			1	1				
24	1	714370-11660	ARM ASSY, ROCKER			1	1				
27	2	114250-11240	SCREW, VALVE ADJUST			1	1				
28	2	26756-060002	NUT, LOCK M6			1	1				
29	2	105010-11490	CAP, VALVE			1	1				
30	1	114250-11900	RETAINER, NOZZLE			1	1				
31	1	22351-040008	PIN, SPRING 4.0X 8			1	1				
32	1	26106-080452	BOLT, M8X 45 PLATED			1	1				
33	1	26226-060502	STUD, M6X 50			2	2				
34	1	26366-060002	NUT, M6			2	2				
35	1	114250-11311	GASKET, BONNET			1	1				G
36	1	114250-11951	BONNET ASSY, HEAD			1	1				
38	2	114250-03591	LEVER ASSY			1	1				
41	2	114250-03640	SPRING, DECOMPRESSION			1	1				
43	2	22312-030160	PIN, PARALLEL M3X16			1	1				
46	1	26106-060552	BOLT, M6X 55 PLATED			1	1				
47	1	129100-61850	PLUG, 12			1	1				

Remarks

(G) THESE PARTS ARE SOLD BY FIG.22,
REF.NO.15,16.

Fig.14. AIR CLEANER

14. AIR CLEANER



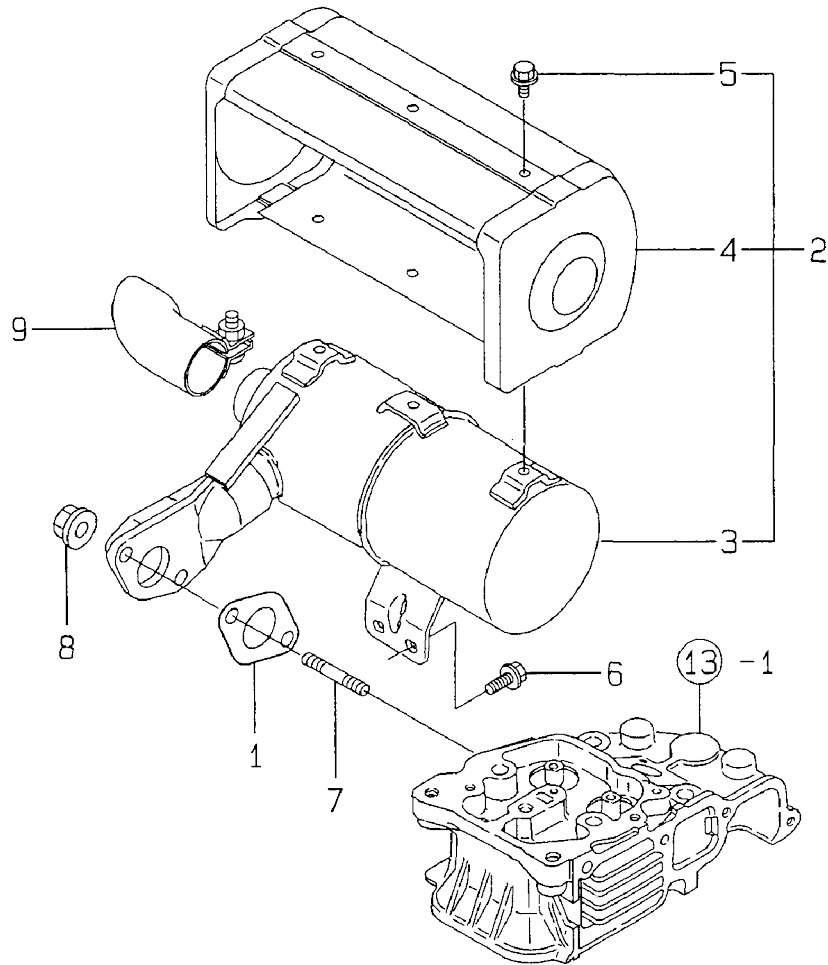
(A)=L40AE-D(EGTM)
 (B)=L48AE-D(EGTM)
 (C)=L60AE-D(EGTM)
 (D)=L70AE-D(EGTM)
 (E)=L90AE-D(EGTM)
 (F)=L100AED(EGTM)

No.	Lev.	Parts No.	Description	Q'ty						I	R	
				(A)	(B)	(C)	(D)	(E)	(F)			
1	1	114250-12211	GASKET, AIR CLEANER			1	1					G
2	1	714250-12560	CLEANER ASSY, AIR			1	1					
4	2	114250-12520	COVER, AIR CLEANER			1	1					
5	2	114250-12530	CASE ASSY, CLEANER			1	1					
6	2	114250-12580	ELEMENT			1	1					
7	2	114250-12560	WASHER, SEAL M6			1	1					
8	2	114250-12550	NUT, WING M6			1	1					
9	1	26366-060002	NUT, M6			3	3					
10	1	114350-12011	PIPE, AIR INTAKE			1	1					
11	1	114350-12202	GASKET, AIR INTAKE			1	1					G
12	1	26106-060252	BOLT, M6X 25 PLATED			2	2					
13	1	26226-060142	STUD, M6X 14			1	1					
14	1	26226-060552	STUD, M6X 55			2	2					

Remarks
 (G) THESE PARTS ARE SOLD BY FIG.22,
 REF.NO.15,16.

Fig.15. MUFFLER

15. MUFFLER



(A)=L40AE-D(EGTM)
(B)=L48AE-D(EGTM)
(C)=L60AE-D(EGTM)

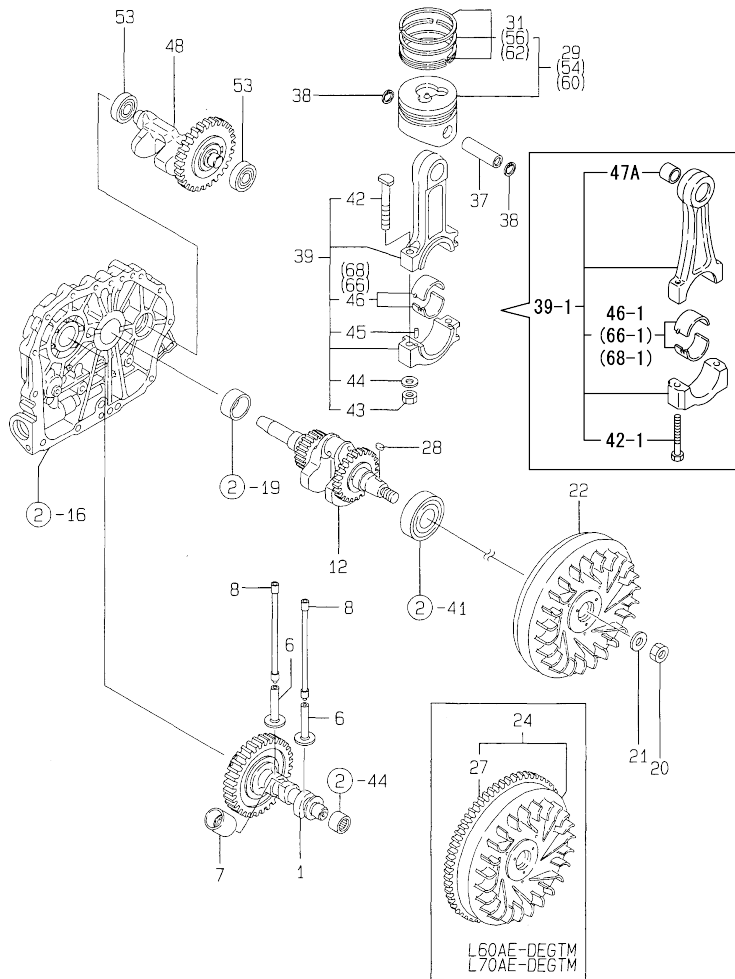
(D)=L70AE-D(EGTM)
(E)=L90AE-D(EGTM)
(F)=L100AED(EGTM)

No.	Lev.	Parts No.	Description	Q'ty						I	R	
				(A)	(B)	(C)	(D)	(E)	(F)			
1	1	114250-13201	GASKET, MUFFLER			1	1					G
2	1	114368-13500	MUFFLER ASSY			1	1					
3	2	114368-13510	MUFFLER			1	1					
4	2	114268-13700	COVER, SILENCER			1	1					
5	2	26106-060082	BOLT, M6X 8 PLATED			6	6					
6	1	26106-060122	BOLT, M6X 12 PLATED			2	2					
7	1	26216-080182	STUD, M8X 18			2	2					
8	1	26366-080002	NUT, M8			2	2					
9	1	114268-13800	PIPE			1	1					

Remarks
(G) THESE PARTS ARE SOLD BY FIG.22,
REF.NO.15,16.

Fig.16. CRANKSHAFT,PISTON & CAMSHAFT

16. CRANKSHAFT, PISTON & CAMSHAFT

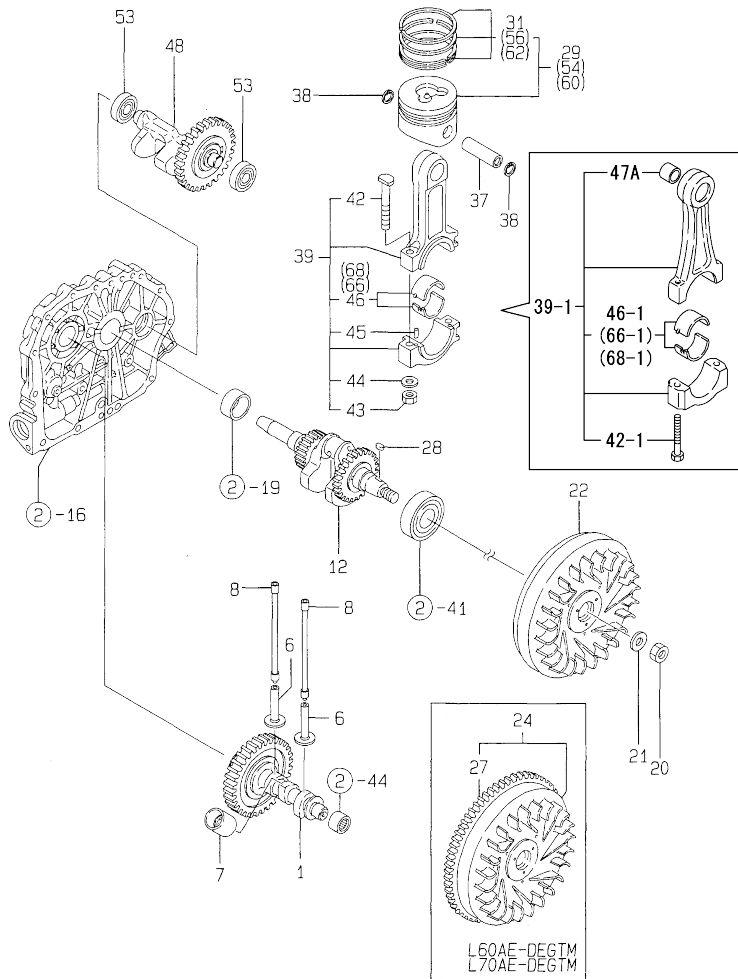


No.	Lev.	Parts No.	Description	Q'ty						I	R
				(A)	(B)	(C)	(D)	(E)	(F)		
1	1	714880-14580	CAMSHAFT ASSY			1	1				
6	1	114250-14200	TAPPET			2	2				
7	1	114250-14260	TAPPET			1	1				
8	1	114350-14450	ROD ASSY, PUSH			2	2				
12	1	714388-21730	CRANKSHAFT ASSY			1	1				
12-1	1	714368-21740	CRANKSHAFT ASSY			1	1			F	6
			(C=*1998.11.) (D=*1998.11.)								
20	1	103854-01221	NUT, CYLINDER HEAD			1	1				
21	1	114250-21550	WASHER			1	1				
22	1	114880-21400	FLYWHEEL			1	1				
24	1	114881-21590	FLYWHEEL ASSY			1	1				1
27	2	114362-21600	GEAR, RING			1	1				1
28	1	22512-040120	KEY, 4X 12			1	1				
29A	1	714380-22720	PISTON ASSY, D			1					
29B	1	714880-22720	PISTON ASSY, D				1				
31A	2	714350-22502	RING SET, PISTON			1					
31B	2	714870-22500	RING SET, PISTON				1				
37	1	114350-22301	PIN, PISTON D=21			1	1				
38	1	22252-000210	RING, 21			2	2				
39	1	714350-23704	ROD ASSY, CONNECTING			1	1				
39-1	1	714380-23700	ROD ASSY, CONNECTING			1	1			F	6
			(C=*1998.11.) (D=*1998.11.)								
42	2	114250-23200	BOLT, CONNECTING ROD			2	2				
42-1	2	118200-23200	BOLT, CONNECTING ROD			2	2				S
			(C=*1998.11.) (D=*1998.11.)								
43	2	114250-23220	NUT			2	2				Z
			(C=*1998.11.) (D=*1998.11.)								
44	2	114250-23250	WASHER			2	2				Z
			(C=*1998.11.) (D=*1998.11.)								
45	2	22312-030080	PIN, PARALLEL M3X 8			2	2				Z
			(C=*1998.11.) (D=*1998.11.)								
46	2	714350-23600	BEARING, CRANK PIN			1	1				
46-1	2	714380-23600	BEARING, CRANK PIN			1	1				S
			(C=*1998.11.) (D=*1998.11.)								
47A	2	114380-23100	BEARING, PISTON PIN			1	1				W
			(C=*1998.11.) (D=*1998.11.)								
48	1	714350-28520	SHAFT ASSY, BALANCER			1	1				
48-1	1	714870-28510	SHAFT ASSY, BALANCER			1	1			F	6
			(C=*1998.11.) (D=*1998.11.)								
53	1	24101-062024	BEARING, BALL 6202			2	2				
54A	1	714380-22620	PISTON ASSY, 0.25 OS			1					2
54B	1	714880-22620	PISTON ASSY, 0.25 OS				1				2
56A	2	714350-22542	RING SET, 0.25 OS			1					2
56B	2	714870-22540	RING SET, 0.25 OS				1				2
60A	1	714380-22580	PISTON ASSY, 0.50 OS			1					3
60B	1	714880-22580	PISTON ASSY, 0.50 OS				1				3
62A	2	714350-22550	RING SET, 0.50 OS			1					3
62B	2	714870-22550	RING SET, 0.50 OS				1				3
66	1	714350-23610	BEARING ASSY, 0.25			1	1				4
66-1	1	714380-23610	METAL ASSY, 0.25			1	1			S	4
			(C=*1998.11.) (D=*1998.11.)								

Remarks
 (1)FOR L60AE-DEGTM,L70AE-DEGTM.
 (2)OVER-SIZE(O.S=0.25)PART.
 (3)OVER-SIZE(O.S=0.50)PART.
 (4)UNDER-SIZE(U.S=0.25)PART.
 (5)UNDER-SIZE(U.S=0.50)PART.
 (6) REF.NO.12-1,39-1 & 48-1
 INTERCHANGEABLE BY SET.

Fig.16. CRANKSHAFT,PISTON & CAMSHAFT

16.CRANKSHAFT, PISTON & CAMSHAFT



Remarks

- (1)FOR L60AE-DEGTM,L70AE-DEGTM.
- (2)OVER-SIZE(O.S=0.25)PART.
- (3)OVER-SIZE(O.S=0.50)PART.
- (4)UNDER-SIZE(U.S=0.25)PART.
- (5)UNDER-SIZE(U.S=0.50)PART.
- (6) REF.NO.12-1,39-1 & 48-1 INTERCHANGEABLE BY SET.

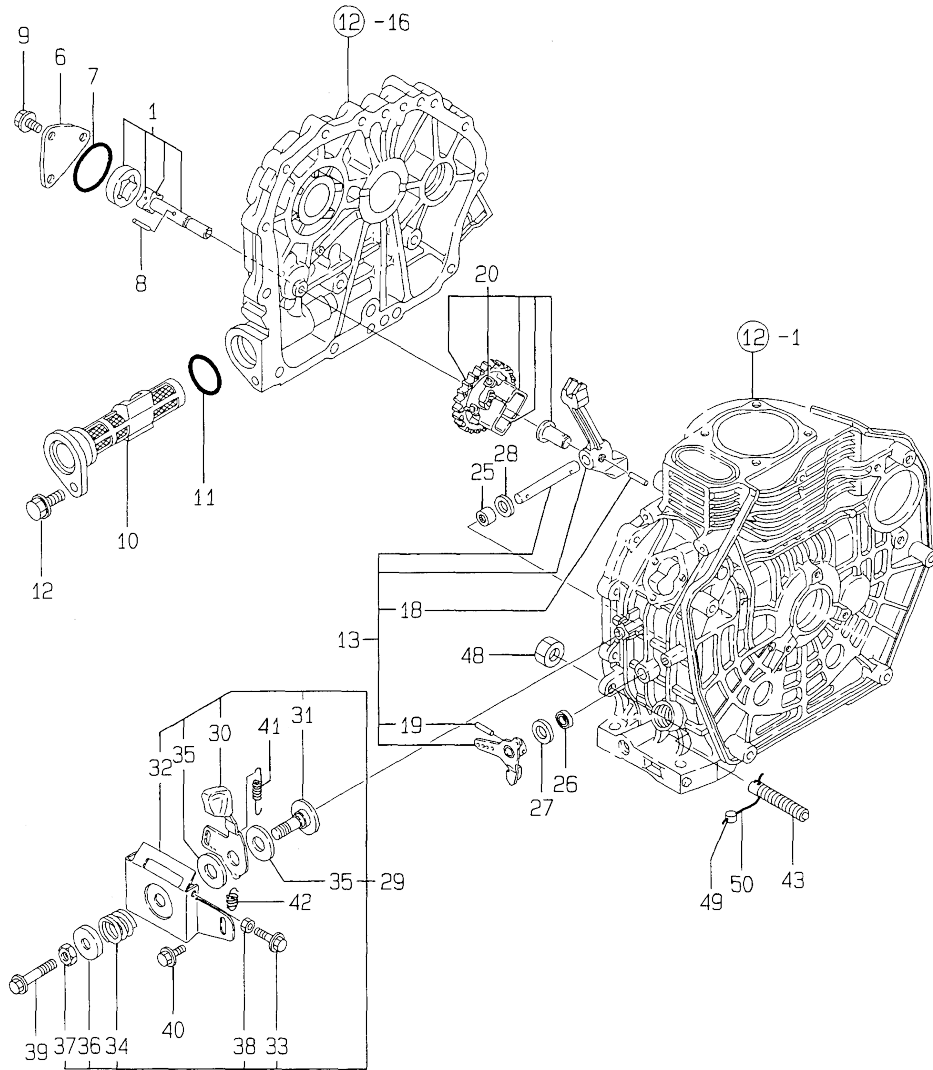
(A)=L40AE-D(EGTM)
 (B)=L48AE-D(EGTM)
 (C)=L60AE-D(EGTM)

(D)=L70AE-D(EGTM)
 (E)=L90AE-D(EGTM)
 (F)=L100AED(EGTM)

No.	Lev.	Parts No.	Description	Q'ty						I	R
				(A)	(B)	(C)	(D)	(E)	(F)		
68	1	714350-23620	BEARING, 0.50 US			1	1				5
68-1	1	714380-23620	BEARING, 0.50 US (C=*1998.11.) (D=*1998.11.)			1	1				S 5

Fig.17. LUB.OIL PUMP & GOVERNOR

17.LUB.OIL PUMP & GOVERNOR



(A)=L40AE-D(EGTM)
 (B)=L48AE-D(EGTM)
 (C)=L60AE-D(EGTM)

(D)=L70AE-D(EGTM)
 (E)=L90AE-D(EGTM)
 (F)=L100AED(EGTM)

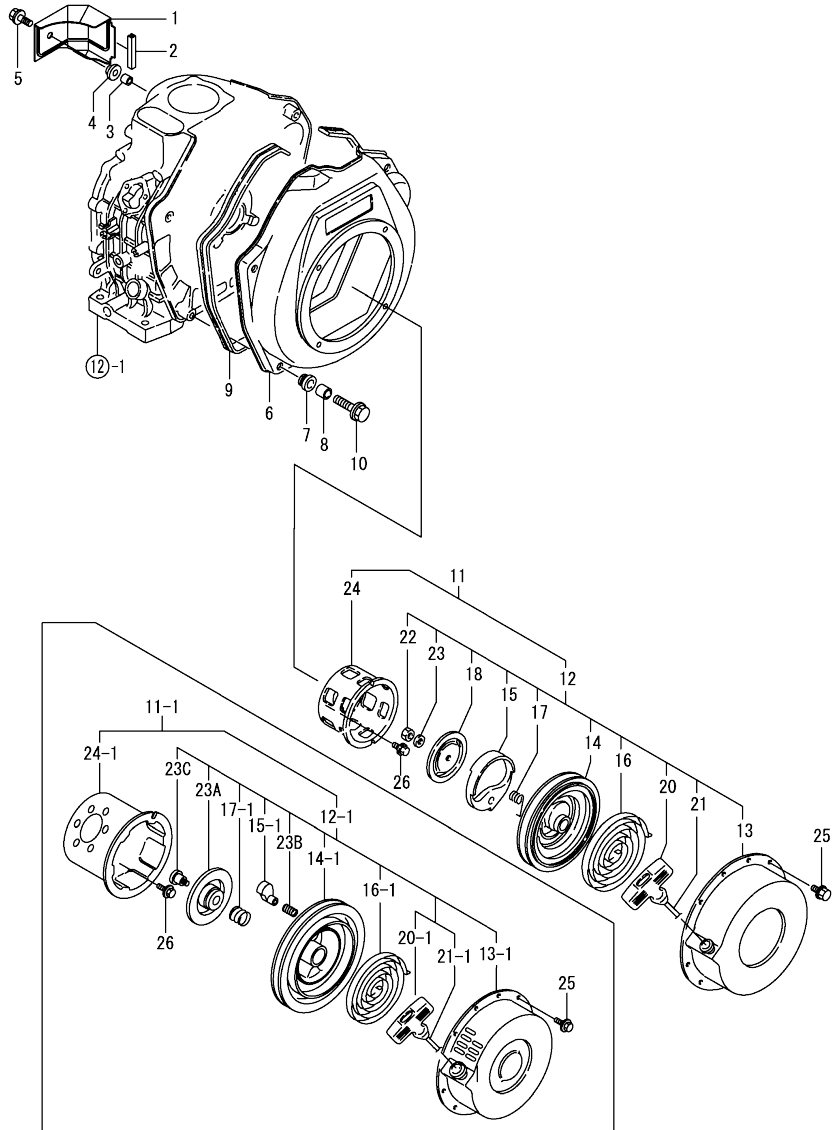
No.	Lev.	Parts No.	Description	Q'ty						I	R
				(A)	(B)	(C)	(D)	(E)	(F)		
1	1	114250-32010	PUMP ASSY, OIL			1	1				
6	1	114250-32070	COVER			1	1				
7	1	103338-32570	O-RING			1	1				G
8	1	22312-030160	PIN, PARALLEL M3X16			1	1				
9	1	26476-060142	SCREW, TAPPING M6X14			3	3				
10	1	114250-35070	FILTER, OIL			1	1				
11	1	24341-000224	O-RING, 1AS22.4			1	1				
12	1	26106-060162	BOLT, M6X 16 PLATED			1	1				
13	1	714350-61500	LEVER ASSY, GOVERNOR			1	1				
18	2	22322-030200	PIN, TAPER 3X20			1	1				
19	2	22322-030200	PIN, TAPER 3X20			1	1				
20	1	714770-61700	GOVERNOR ASSY			1	1				
25	1	114270-61520	BEARING, NEEDLE 8			2	2				
26	1	114770-61600	SEAL, OIL			1	1				
27	1	114770-61610	WASHER, THRUST			1	1				
28	1	114770-61190	WASHER			1	1				
29	1	183250-66500	BRACKET ASSY			1	1				
30	2	183250-66050	HANDLE, REGULATOR			1	1				
31	2	183250-66070	SHAFT, HANDLE			1	1				
32	2	183250-66100	BRACKET, RADIATOR			1	1				
33	2	114250-66440	BOLT, ADJUSTING			1	1				
34	2	104200-66820	SPRING			1	1				
35	2	104200-66830	PLATE, FRICTION			2	2				
36	2	104200-66850	WASHER			1	1				
37	2	26696-100002	NUT, LOCK M10			1	1				
38	2	26757-060002	NUT, LOCK M6			1	1				
39	1	26106-060452	BOLT, M6X 45 PLATED			1	1				
40	1	26476-060142	SCREW, TAPPING M6X14			1	1				
41	1	114870-66010	SPRING, REGULATOR			1	1				
42	1	114250-66200	SPRING, RETURN			1	1				
43	1	114250-66550	LIMITER ASSY, FUEL			1	1				
48	1	26696-100002	NUT, LOCK M10			1	1				
49	1	135210-61090	LEAD			2	2				
50	1	22451-060000	WIRE, 0.6			2	2				

Remarks

(G) THESE PARTS ARE SOLD BY FIG.22,
 REF.NO.15,16.

Fig.18. COOLING & STARTING DEVICE

18. COOLING & STARTING DEVICE



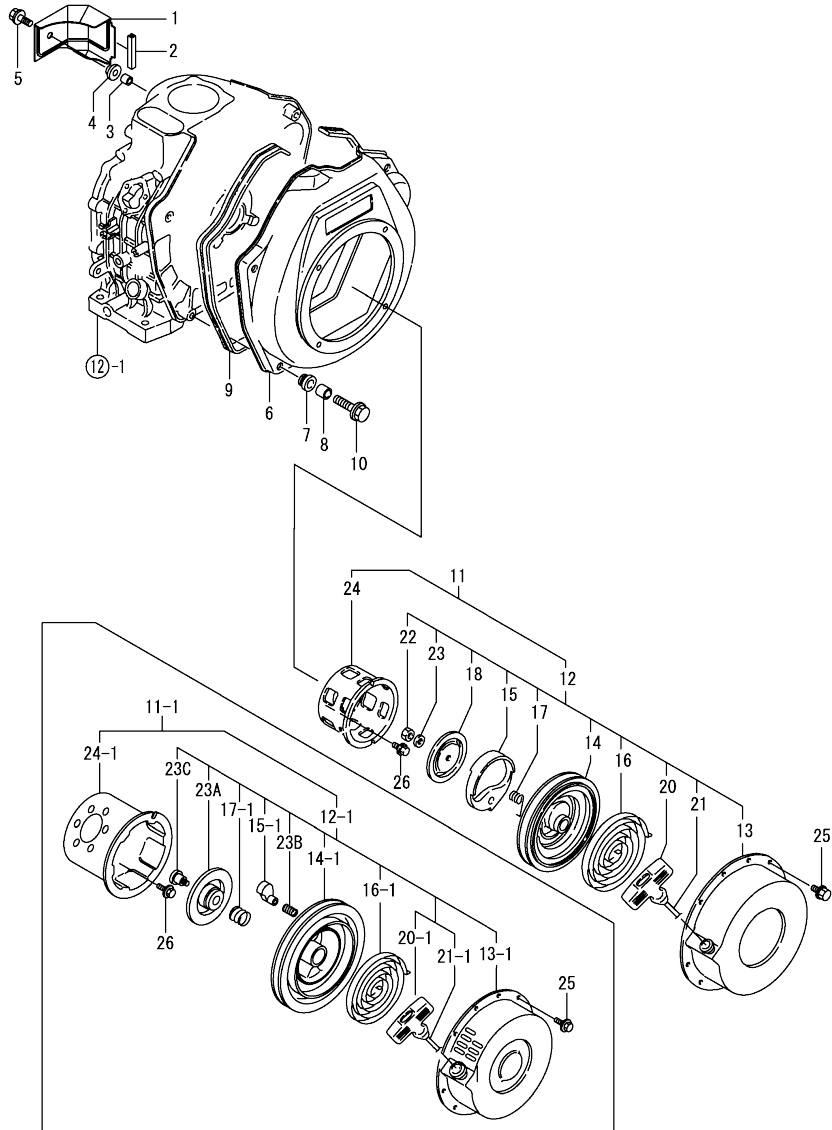
Remarks
 (1) Interchangeable by simultaneous replacement with Ref.12-1 and Ref.24-1.

(A)=L40AE-D(EGTM)
 (B)=L48AE-D(EGTM)
 (C)=L60AE-D(EGTM)
 (D)=L70AE-D(EGTM)
 (E)=L90AE-D(EGTM)
 (F)=L100AED(EGTM)

No.	Lev.	Parts No.	Description	Q'ty						I	R
				(A)	(B)	(C)	(D)	(E)	(F)		
1	1	114870-45201	COVER			1	1				
2	1	114350-45320	RUBBER, SEAL			1	1				
3	1	114350-45340	COLLAR			1	1				
4	1	183720-55210	GROMMET			1	1				
5	1	26476-060202	SCREW, TAPPING M6X20			1	1				
6	1	114888-45100	CASE, COOLING FAN			1	1				
7	1	114250-45300	ABSORBER			4	4				
8	1	114250-45310	COLLAR			4	4				
9	1	114250-45330	SEAL, FAN CASE L=875			1	1				
10	1	114370-45350	BOLT			4	4				
11	1	114880-76050	STARTER ASSY, RECOIL			1	1				
11-1	1	114880-76051	STARTER ASSY, RECOIL			1	1				R 1
			(C=EZZZZZ) (D=EZZZZZ)								
12	2	114880-76250	STARTER ASSY, RECOIL			1	1				
12-1	2	114880-76251	STARTER ASSY, RECOIL			1	1				S
			(C=EZZZZZ) (D=EZZZZZ)								
13	3	114880-76510	CASE, STARTER			1	1				
13-1	3	114880-76511	CASE, STARTER			1	1				S
			(C=EZZZZZ) (D=EZZZZZ)								
14	3	160810-76520	REEL			1	1				
14-1	3	114880-76520	REEL			1	1				S
			(C=EZZZZZ) (D=EZZZZZ)								
15	3	160840-76530	RATCHET			1	1				
15-1	3	114870-76530	RATCHET			2	2				S
			(C=EZZZZZ) (D=EZZZZZ)								
16	3	160810-76540	SPRING, SPIRAL			1	1				
16-1	3	114870-76540	SPRING, SPIRAL			1	1				S
			(C=EZZZZZ) (D=EZZZZZ)								
17	3	160840-76560	SPRING, FRICTION			1	1				
17-1	3	114870-76560	SPRING, FRICTION			1	1				S
			(C=EZZZZZ) (D=EZZZZZ)								
18	3	160810-76580	PLATE, FRICTION			1	1				Z
			(C=EZZZZZ) (D=EZZZZZ)								
20	3	160810-76620	KNOB, STARTER			1	1				
20-1	4	114870-76620	KNOB, STARTER			1	1				S
			(C=EZZZZZ) (D=EZZZZZ)								
21	3	160810-76630	ROPE, STARTER			1	1				
21-1	4	114870-76630	ROPE, STARTER			1	1				S
			(C=EZZZZZ) (D=EZZZZZ)								
22	3	181130-76680	NUT			1	1				Z
			(C=EZZZZZ) (D=EZZZZZ)								
23	3	181130-76700	WASHER			1	1				Z
			(C=EZZZZZ) (D=EZZZZZ)								
23A	3	114880-76550	GUIDE, RATCHET			1	1				W
			(C=EZZZZZ) (D=EZZZZZ)								
23B	3	114870-76570	SPRING, RETURN			2	2				W
			(C=EZZZZZ) (D=EZZZZZ)								
23C	3	114870-76580	SCREW			1	1				W
			(C=EZZZZZ) (D=EZZZZZ)								
24	2	114350-76590	PULLEY, STARTER			1	1				
24-1	2	114350-76591	PULLEY, STARTER			1	1				S

Fig.18. COOLING & STARTING DEVICE

18. COOLING & STARTING DEVICE



(A)=L40AE-D(EGTM)
(B)=L48AE-D(EGTM)
(C)=L60AE-D(EGTM)
(D)=L70AE-D(EGTM)
(E)=L90AE-D(EGTM)
(F)=L100AED(EGTM)

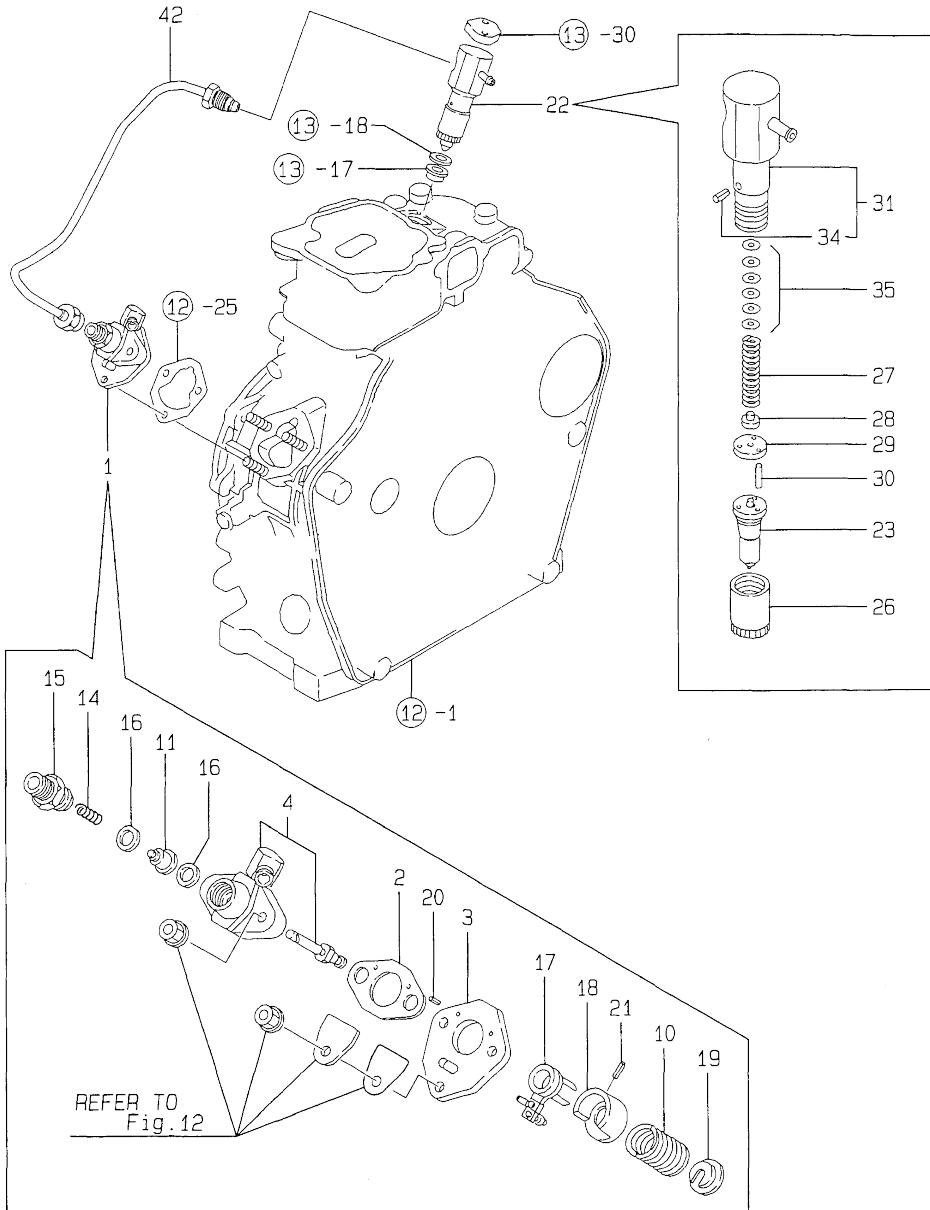
No.	Lev.	Parts No.	Description	Q'ty						I	R
				(A)	(B)	(C)	(D)	(E)	(F)		
			(C=EZZZZZ) (D=EZZZZZ)								
25	1	26106-060082	BOLT, M6X 8 PLATED			4	4				
26	1	26106-060122	BOLT, M6X 12 PLATED			3	3				

Remarks

(1) Interchangeable by simultaneous replacement with Ref.12-1 and Ref.24-1.

Fig.19. FUEL INJECTION PUMP

19.FUEL INJECTION PUMP



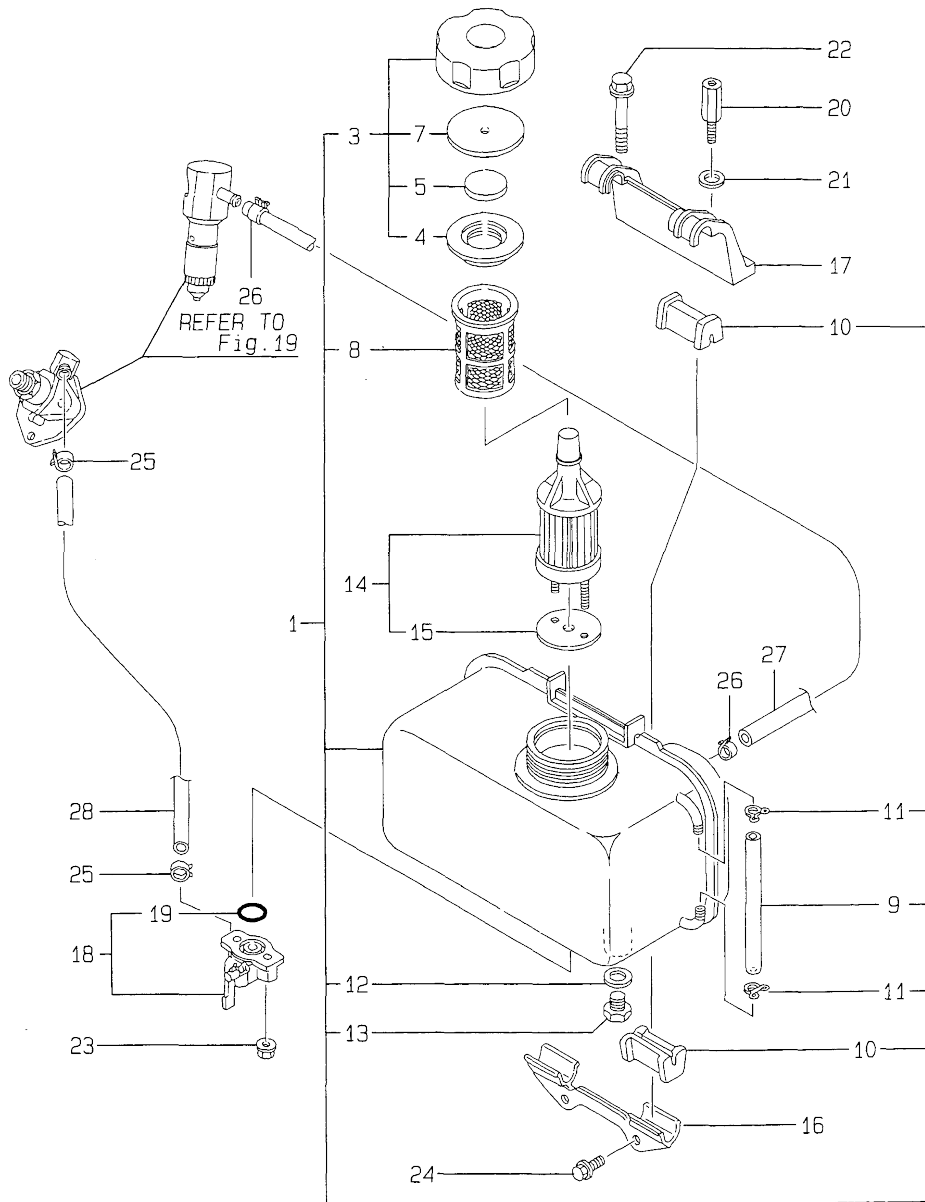
(A)=L40AE-D(EGTM)
(B)=L48AE-D(EGTM)
(C)=L60AE-D(EGTM)

(D)=L70AE-D(EGTM)
(E)=L90AE-D(EGTM)
(F)=L100AED(EGTM)

No.	Lev.	Parts No.	Description	Q'ty						I	R
				(A)	(B)	(C)	(D)	(E)	(F)		
1A	1	714350-51710	PUMP ASSY, INJECTION			1					
1B	1	783350-51740	PUMP ASSY, INJECTION					1			
2	2	105546-51020	GASKET			1	1				
3	2	114250-51080	PLATE			1	1				
4A	2	114350-51400	BODY ASSY, PUMP			1					
4B	2	183350-51400	BODY ASSY, PUMP				1				
10	2	114250-51160	SPRING, PLUNGER			1	1				
11	2	114250-51300	VALVE ASSY, DELIVERY			1	1				
14	2	105546-51330	SPRING, DELIVERY			1	1				
15	2	114250-51340	HOLDER, DELIVERY			1	1				
16	2	124550-51350	GASKET, DELIVERY			2	2				
17	2	114250-51600	LEVER ASSY, CONTROL			1	1				
18	2	114250-51640	SEAT, SPRING A			1	1				
19	2	114250-51650	SEAT, SPRING B			1	1				
20	2	22351-020006	PIN, SPRING 2.0X 6			2	2				
21	2	22351-030008	PIN, SPRING 3.0X 8			1	1				
22	1	714870-53100	VALVE ASSY,INJECTION			1	1				
23	2	114870-53000	VALVE ASSY,INJECTION			1	1				
26	2	114250-53080	NUT, NOZZLE D16.95			1	1				
27	2	114250-53120	SPRING, NOZZLE			1	1				
28	2	114250-53130	SEAT, SPRING			1	1				
29	2	114250-53140	PLATE			1	1				
30	2	114250-53210	PIN			2	2				
31	2	114250-53300	HOLDER ASSY, NOZZLE			1	1				
34	3	114250-53331	PIN			1	1				
35	2	114250-53400	SHIM SET			1	1				
42	1	114350-59800	PIPE ASSY, INJECTION			1	1				

Fig.20. FUEL TANK & FUEL LINE

20.FUEL TANK & FUEL LINE



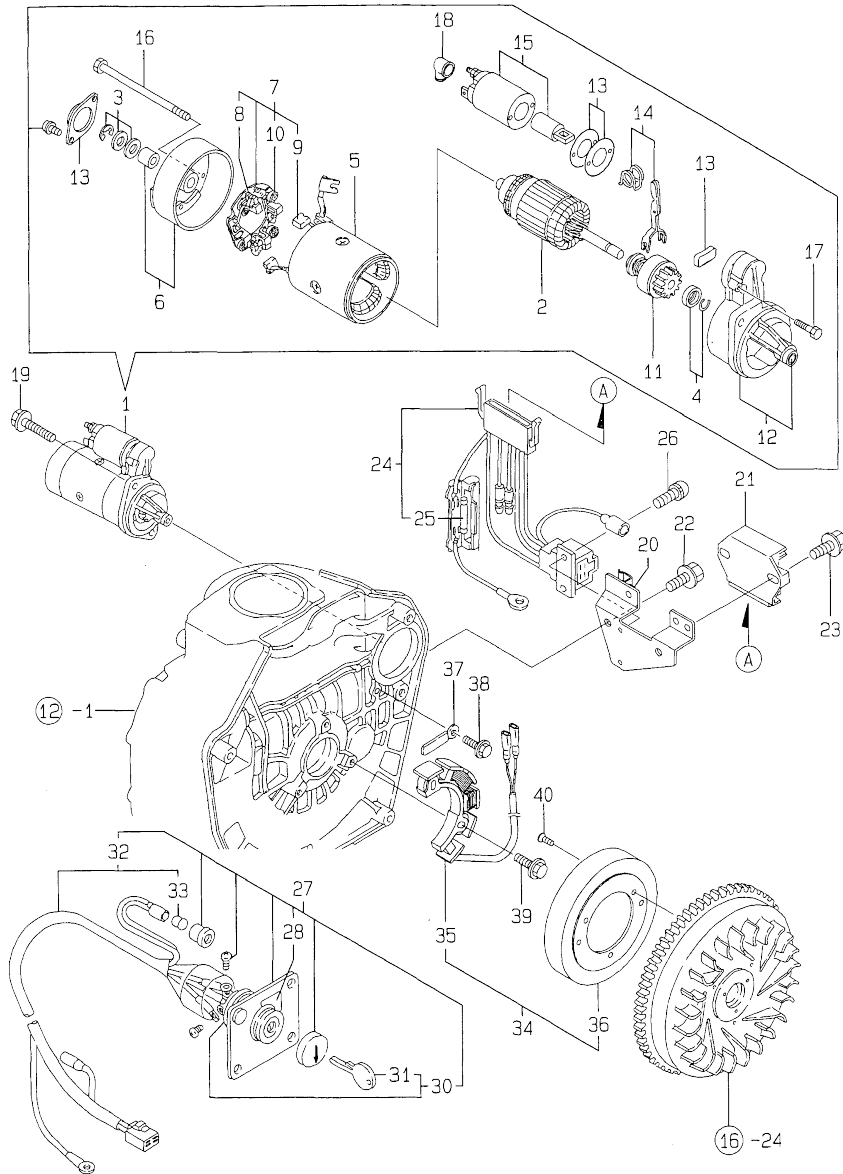
(A)=L40AE-D(EGTM)
 (B)=L48AE-D(EGTM)
 (C)=L60AE-D(EGTM)

(D)=L70AE-D(EGTM)
 (E)=L90AE-D(EGTM)
 (F)=L100AED(EGTM)

No.	Lev.	Parts No.	Description	Q'ty						I	R
				(A)	(B)	(C)	(D)	(E)	(F)		
1	1	714350-55711	TANK ASSY, FUEL			1	1				
3	2	114250-55041	CAP ASSY			1	1				
4	3	114250-55050	GASKET			1	1				
5	3	114250-55060	SEAL			1	1				
7	3	114250-55080	SEAT			1	1				
8	2	114250-55100	FILTER, FUEL			1	1				
9	2	114350-55150	GAUGE, LEVEL			1	1				
10	2	114250-55201	DAMPER, FUEL TANK			4	4				
11	2	124722-59050	CLIP, HOSE 9			2	2				
12	2	23414-120000	GASKET, 12X1.0			1	1				
13	2	23887-120002	PLUG, 12			1	1				
14	1	114250-55121	FILTER ASSY, FUEL			1	1				
15	2	114250-55130	GASKET			1	1				
16	1	114250-55211	STAY, FUEL TANK			1	1				
17	1	114350-55231	STAY, FUEL TANK			1	1				
18	1	114250-55300	COCK ASSY, FUEL			1	1				
19	2	24341-000150	O-RING, 1AS15.0			1	1				
20	1	114650-55810	BOLT			1	1				
21	1	22117-080000	WASHER, 8			1	1				
22	1	26106-080452	BOLT, M8X 45 PLATED			1	1				
23	1	26366-060002	NUT, M6			2	2				
24	1	26476-060142	SCREW, TAPPING M6X14			2	2				
25	1	106990-44660	CLIP, HOSE 12.5			2	2				
26	1	124722-59050	CLIP, HOSE 9			2	2				
27	1	114250-59060	PIPE, FUEL RETURN			1	1				
28	1	114268-59060	PIPE, FUEL L=50			1	1				

Fig.21. STARTING MOTOR & DYNANO

21.STARTING MOTOR & DYNAMO



(A)=L40AE-D(EGTM)
 (B)=L48AE-D(EGTM)
 (C)=L60AE-D(EGTM)

(D)=L70AE-D(EGTM)
 (E)=L90AE-D(EGTM)
 (F)=L100AED(EGTM)

No.	Lev.	Parts No.	Description	Q'ty						I	R
				(A)	(B)	(C)	(D)	(E)	(F)		
1	1	114362-77011	STARTER(HITACHI 12V		1	1					1
2	2	114381-77110	ARMATURE		1	1					
3	2	X2114811000	WASHER KIT, THRUST		1	1					
4	2	X2114715500	STOPPER SET, PINION		1	1					
5	2	114381-77130	COIL ASSY, FIELD		1	1					
6	2	114381-77140	COVER, REAR		1	1					
7	2	114371-77160	HOLDER ASSY, BRUSH		1	1					
8	3	114371-79040	BRUSH (-)		2	2					
9	3	114371-79050	BRUSH (+)		1	1					
10	3	114371-79060	SPRING, BRUSH		4	4					
11	2	X2114455080	PINION ASSY		1	1					
12	2	114381-77150	HOUSING ASSY, GEAR		1	1					
13	2	114371-77170	COVER KIT, DUST		1	1					
14	2	X2114560130	LEVER KIT, SHIFT		1	1					
15	2	X2114275010	SWITCH ASSY, MAGNET		1	1					
16	2	X2114680050	BOLT, THROUGH		2	2					
17	2	114371-79070	BOLT M 6X 37		2	2					
18	2	X2114274200	COVER, TERMINAL		1	1					
19	1	26106-100302	BOLT, M10X 30 PLATED		2	2					1
20	1	114385-77400	BRACKET		1	1					1
21	1	119660-77710	LIMITER, CURRENT 15A		1	1					1
22	1	26106-060122	BOLT, M6X 12 PLATED		2	2					1
23	1	26106-060202	BOLT, M6X 20 PLATED		2	2					1
24	1	114351-77540	HARNES, WIRE		1	1					1
25	2	29411-150000	FUSE, CARTRIDGE 15A		2	2					1
26	1	114351-77550	SCREW, M4X6		2	2					1
27	1	114351-77500	PANEL ASSY		1	1					1
28	2	105198-07120	LABEL, STARTER		1	1					1
30	2	106100-77620	SWITCH, KEY		1	1					1
31	3	106100-77630	KEY, SWITCH		1	1					1
32	2	114351-77700	HARNES, WIRE		1	1					1
33	3	29220-083200	BULB (12V/3.4W)		1	1					1
34	1	114351-78261	DYNAMO ASSY		1	1					1
35	2	114351-78771	STATOR ASSY		1	1					1
36	2	114351-78781	WHEEL, DYNAMO		1	1					1
37	1	160710-78710	CLAMP, CORD		1	1					1
38	1	26476-060142	SCREW, TAPPING M6X14		1	1					1
39	1	26476-060202	SCREW, TAPPING M6X20		3	3					1
40	1	26577-060142	SCREW M 6X 14		3	3					1

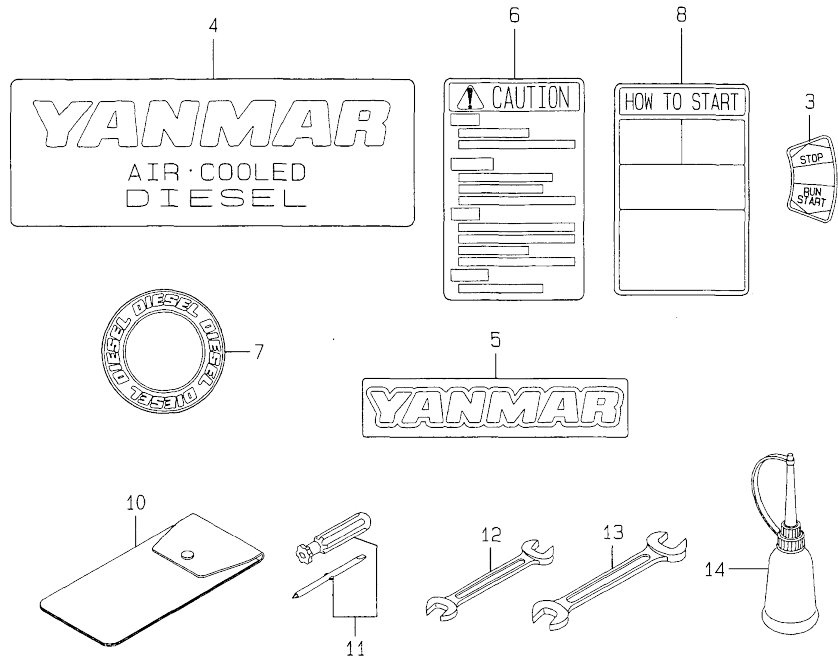
Remarks

(1) FOR L60AE-DEGTM,L70AE-DEGTM.

N:Old $\xrightarrow{\text{Yes}}$ New. Q:Old $\xrightarrow{\text{No}}$ New. R:Old $\xrightarrow{\text{Yes}}$ New. S:Old $\xrightarrow{\text{No}}$ New. W:Add. Z:Discontinued. F:Interchangeable by set. K:Q'ty Change

Fig.22. TOOL,LABEL & GASKET SET

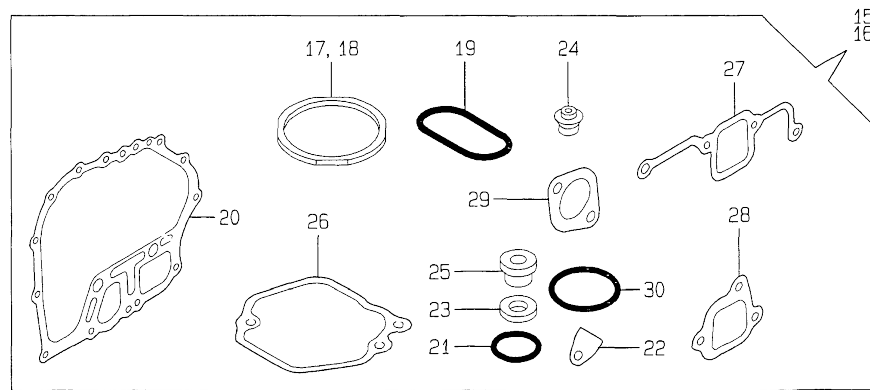
22.TOOL, LABEL & GASKET SET



(A)=L40AE-D(EGTM)
(B)=L48AE-D(EGTM)
(C)=L60AE-D(EGTM)

(D)=L70AE-D(EGTM)
(E)=L90AE-D(EGTM)
(F)=L100AED(EGTM)

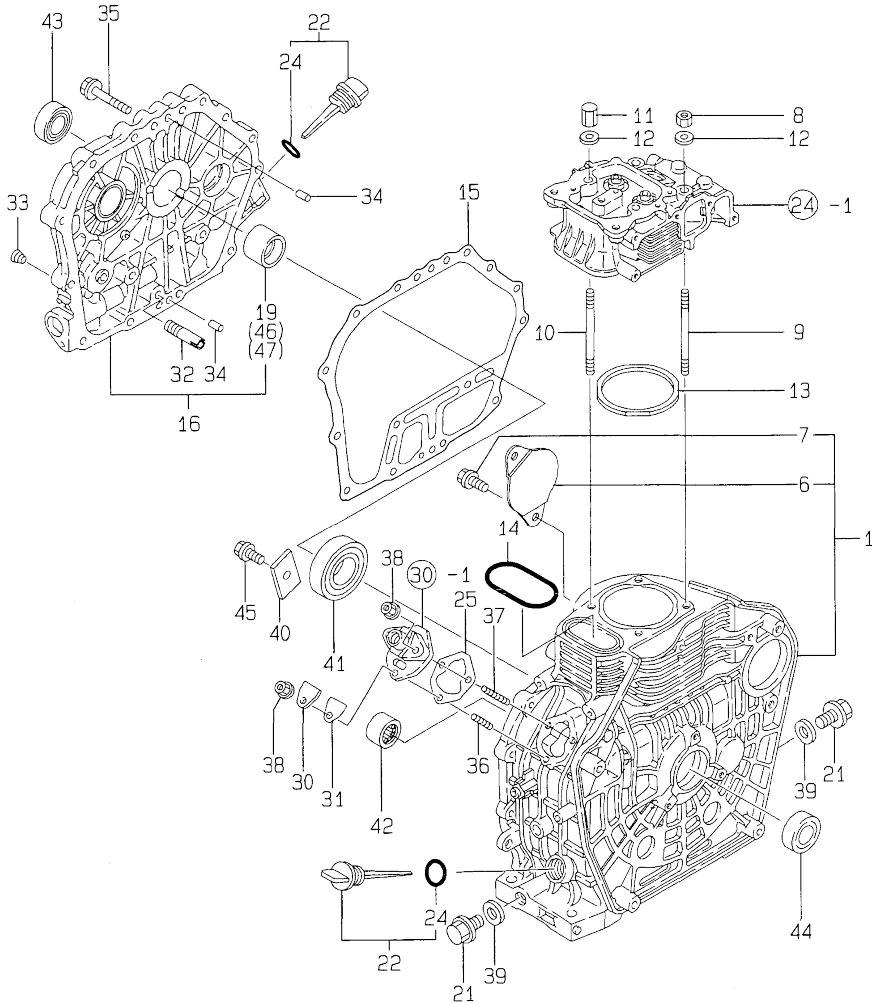
No.	Lev.	Parts No.	Description	Q'ty						I	R
				(A)	(B)	(C)	(D)	(E)	(F)		
3	1	183250-07230	LABEL, OPERATION			1	1				
4	1	114250-07090	LABEL, AIR COOLED			1	1				
5	1	114250-07111	LABEL, YANMAR			1	1				
6	1	114268-07240	LABEL, CAUTION			1	1				
7	1	114261-07350	LABEL			1	1				
8	1	114268-07350	LABEL, HOW TO START			1	1				
10	1	114250-92600	BAG, TOOL			1	1				
11	1	160330-92730	DRIVE, SCREW			1	1				
12	1	28110-100120	SPANNER, 10X12			1	1				
13	1	28110-140170	SPANNER, 14X17			1	1				
14	1	28210-000150	OILER			1	1				
15	1	714386-92600	GASKET SET			1					1
16	1	714888-92600	GASKET SET				1				1
17	2	114350-01340	GASKET, HEAD			1					
18	2	114870-01340	GASKET, HEAD				1				
19	2	114350-01380	O-RING			1	1				
20	2	114350-01412	GASKET, CRANK CASE			1	1				
21	2	24311-000180	O-RING, 1AP18.0			2	2				
22	2	114250-01841	GASKET			1	1				
23	2	22190-160002	WASHER, SEAL 16			2	2				
24	2	114350-11340	SEAL, VALVE STEM			2	2				
25	2	114250-11460	GASKET, NOZZLE			1	1				
26	2	114250-11311	GASKET, BONNET			1	1				
27	2	114350-12202	GASKET, AIR INTAKE			1	1				
28	2	114250-12211	GASKET, AIR CLEANER			1	1				
29	2	114250-13201	GASKET, MUFFLER			1	1				
30	2	103338-32570	O-RING			1	1				



Remarks
(1) OPTIONAL PARTS.

Fig.23. CYLINDER BLOCK

23.CYLINDER BLOCK



(A)=L40AE-D(EGTM)
(B)=L48AE-D(EGTM)
(C)=L60AE-D(EGTM)

(D)=L70AE-D(EGTM)
(E)=L90AE-D(EGTM)
(F)=L100AED(EGTM)

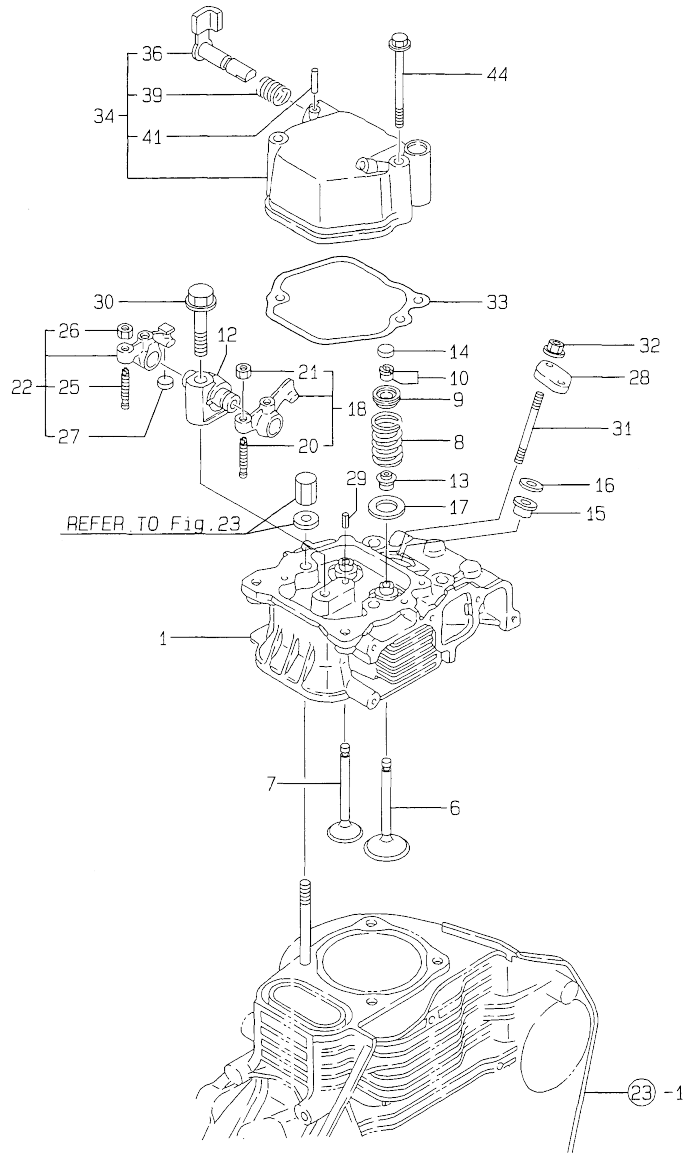
No.	Lev.	Parts No.	Description	Q'ty						I	R
				(A)	(B)	(C)	(D)	(E)	(F)		
1A	1	714671-01560	BLOCK ASSY, CYLINDER						1		
1B	1	714970-01560	BLOCK ASSY, CYLINDER							1	
6	2	114350-01700	COVER						1	1	
7	2	26106-100122	BOLT, M10X 12 PLATED						2	2	
8	1	105025-01220	NUT, CYLINDER HEAD						2	2	
9	1	114650-01230	BOLT, HEAD						2	2	
10	1	114650-01240	BOLT, HEAD						2	2	
11	1	114650-01250	NUT, CYLINDER HEAD						2	2	
12	1	114650-01260	WASHER						4	4	
13A	1	114650-01340	GASKET, HEAD						1		G
13B	1	114970-01340	GASKET, HEAD							1	G
14	1	114650-01380	O-RING						1	1	G
15	1	114650-01412	GASKET, CRANK CASE						1	1	G
16	1	114660-01471	COVER, CRANK CASE						1	1	
19	2	114650-02100	BEARING, MAIN						1	1	1
21	1	105425-01690	PLUG, 16						2	2	
22	1	160910-01740	CAP ASSY						2	2	
24	2	24311-000180	O-RING, 1AP18.0						2	2	G
25	1	114250-01800	SHIM SET						1	1	
30	1	114250-01830	COVER						1	1	
31	1	114250-01841	GASKET						1	1	G
32	1	114250-35150	PIPE, OIL INLET						1	1	
33	1	23871-010000	PLUG, R01						1	1	
34	1	114270-01600	PIN, M8X12						2	2	
35	1	26106-080352	BOLT, M8X 35 PLATED						16	16	
36	1	26226-060182	STUD, M6X 18						1	1	
37	1	26226-060222	STUD, M6X 22						2	2	
38	1	26366-060002	NUT, M6						3	3	
39	1	22190-160002	WASHER, SEAL 16						2	2	G
40	1	114250-02030	RETAINER, BEARING						1	1	
41	1	114650-02150	BEARING, HR6308G3C3						1	1	
42	1	24162-152112	BEARING, 152112						1	1	
43	1	24423-355008	SEAL, OIL TC355008						1	1	
44	1	24423-355008	SEAL, OIL TC355008						1	1	
45	1	26106-080122	BOLT, M8X 12 PLATED						1	1	
46	1	114650-02200	BEARING, 0.25 US						1	1	2
47	1	114650-02210	BEARING, 0.50 US						1	1	2

Remarks

- (1) REPAIR PART.
- (2) UNDER-SIZED PART.
- (G) THESE PARTS ARE SOLD BY FIG.33, REF.NO.15,16.

Fig.24. CYLINDER HEAD & BONNET

24.CYLINDER HEAD & BONNET



(A)=L40AE-D(EGTM)
 (B)=L48AE-D(EGTM)
 (C)=L60AE-D(EGTM)

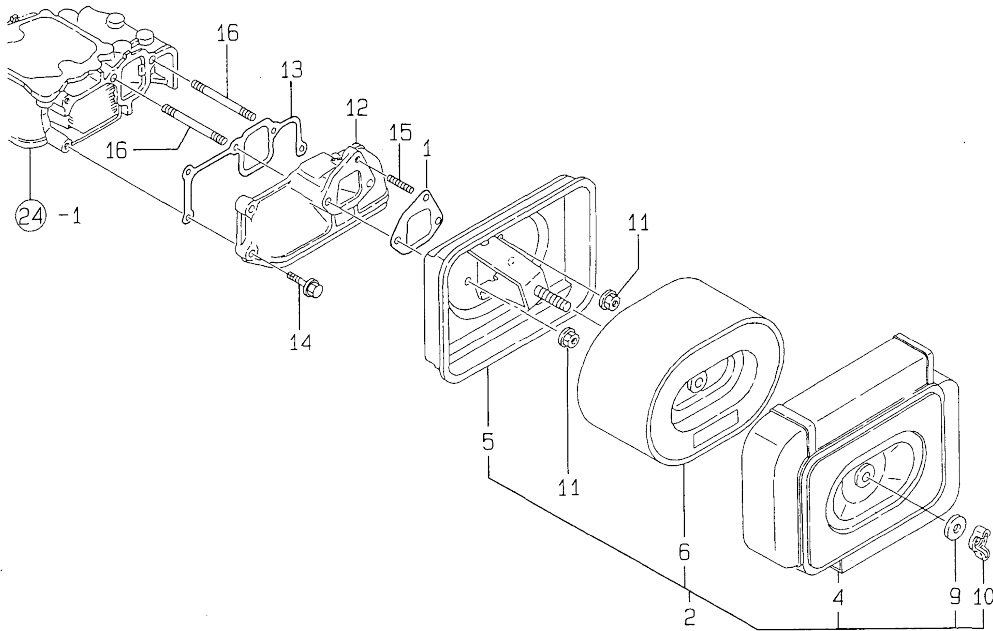
(D)=L70AE-D(EGTM)
 (E)=L90AE-D(EGTM)
 (F)=L100AED(EGTM)

No.	Lev.	Parts No.	Description	Q'ty						I	R
				(A)	(B)	(C)	(D)	(E)	(F)		
1	1	114650-11010	HEAD ASSY, CYLINDER					1	1		
6	1	114650-11100	VALVE, INTAKE					1	1		
7	1	114654-11110	VALVE, EXHAUST					1	1		
8	1	114650-11121	SPRING, VALVE					2	2		
9	1	119620-11180	RETAINER, SPRING					2	2		
10	1	27310-070001	COTTER, 7					2	2		
12	1	114650-11261	SUPPORT, ROCKER ARM					1	1		
13	1	114650-11340	SEAL, VALVE STEM					2	2		G
14	1	104211-11370	CAP, VALVE					1	1		
15	1	114250-11460	GASKET, NOZZLE					1	1		G
16	1	114350-11470	SPACER, NOZZLE					1	1		
17	1	114650-11600	WASHER					2	2		
18	1	114650-11652	ARM, ROCKER					1	1		
20	2	114250-11240	SCREW, VALVE ADJUST					1	1		
21	2	26756-060002	NUT, LOCK M6					1	1		
22	1	714670-11660	ARM ASSY, ROCKER					1	1		
25	2	114250-11240	SCREW, VALVE ADJUST					1	1		
26	2	26756-060002	NUT, LOCK M6					1	1		
27	2	104211-11370	CAP, VALVE					1	1		
28	1	114250-11900	RETAINER, NOZZLE					1	1		
29	1	22351-040008	PIN, SPRING 4.0X 8					1	1		
30	1	26106-100552	BOLT, M10X 55 PLATED					1	1		
31	1	26226-060502	STUD, M6X 50					2	2		
32	1	26366-060002	NUT, M6					2	2		
33	1	114650-11311	GASKET, BONNET					1	1		G
34	1	114650-11951	BONNET ASSY, HEAD					1	1		
36	2	114250-03591	LEVER ASSY					1	1		
39	2	114250-03640	SPRING, DECOMPRESSION					1	1		
41	2	22312-030160	PIN, PARALLEL M3X16					1	1		
44	1	26106-060702	BOLT, M6X 70 PLATED					2	2		

Remarks
 (G) THESE PARTS ARE SOLD BY FIG.33,
 REF.NO.15,16.

Fig.25. AIR CLEANER

25. AIR CLEANER



(A)=L40AE-D(EGTM)
 (B)=L48AE-D(EGTM)
 (C)=L60AE-D(EGTM)

(D)=L70AE-D(EGTM)
 (E)=L90AE-D(EGTM)
 (F)=L100AE-D(EGTM)

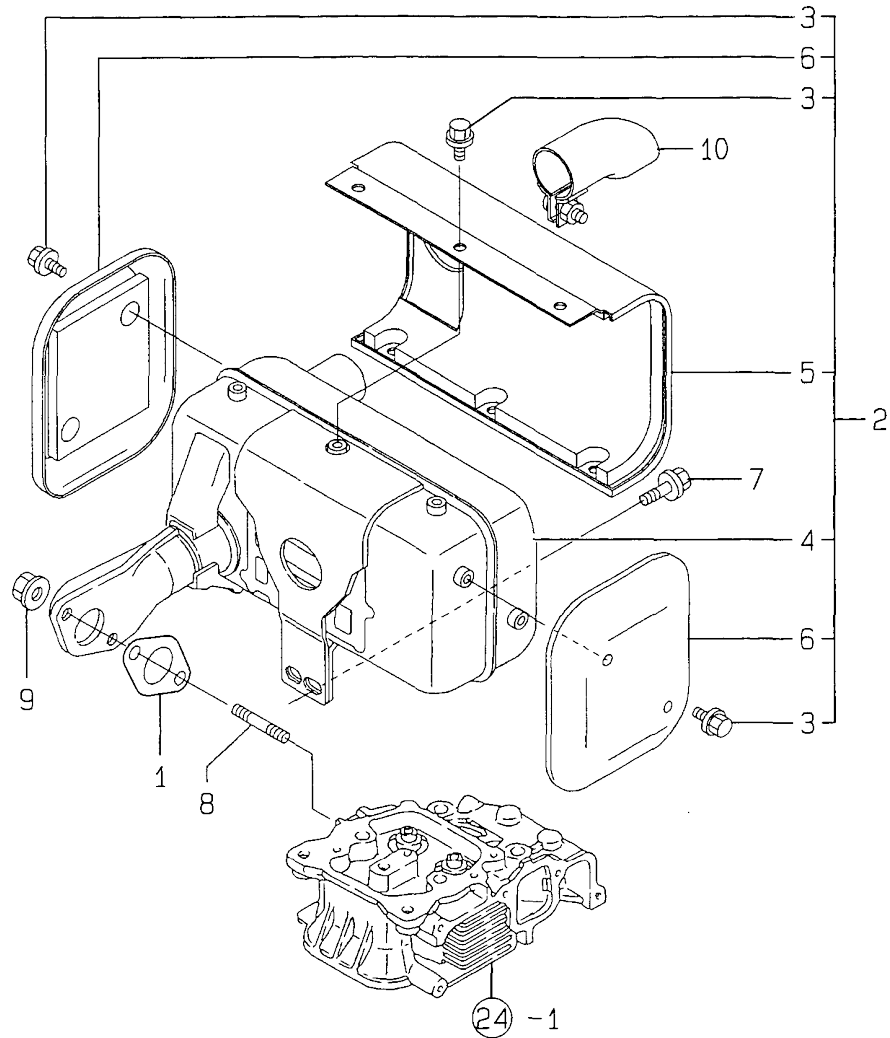
No.	Lev.	Parts No.	Description	Q'ty						I	R
				(A)	(B)	(C)	(D)	(E)	(F)		
1	1	114650-12211	GASKET, AIR CLEANER					1	1		G
2	1	714650-12560	CLEANER ASSY, AIR					1	1		
4	2	114650-12520	COVER, AIR CLEANER					1	1		
5	2	114650-12530	CASE ASSY, CLEANER					1	1		
6	2	114650-12590	ELEMENT ASSY					1	1		
9	2	114252-12560	WASHER, SEAL M8					1	1		
10	2	114252-12550	NUT, WING M8					1	1		
11	1	26366-060002	NUT, M6					3	3		
12	1	114650-12020	PIPE, AIR INTAKE					1	1		
13	1	114650-12301	GASKET					1	1		G
14	1	26106-060252	BOLT, M6X 25 PLATED					3	3		
15	1	26226-060142	STUD, M6X 14					1	1		
16	1	26226-060752	STUD, M6X 75					2	2		

Remarks

(G) THESE PARTS ARE SOLD BY FIG.33,
 REF.NO.15,16.

Fig.26. MUFFLER

26 . MUFFLER



(A)=L40AE-D(EGTM)
(B)=L48AE-D(EGTM)
(C)=L60AE-D(EGTM)

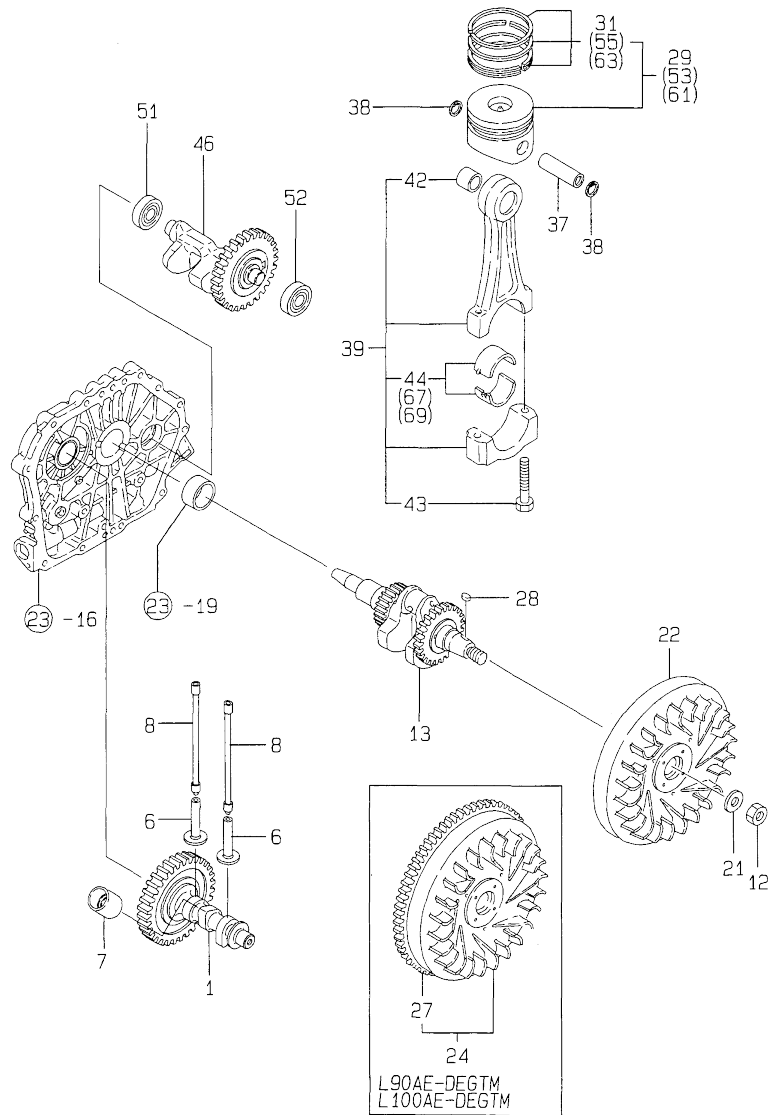
(D)=L70AE-D(EGTM)
(E)=L90AE-D(EGTM)
(F)=L100AED(EGTM)

No.	Lev.	Parts No.	Description	Q'ty						I	R
				(A)	(B)	(C)	(D)	(E)	(F)		
1	1	114650-13201	GASKET, MUFFLER					1	1		G
2	1	114970-13550	MUFFLER ASSY					1	1		
3	2	160260-01580	BOLT, FLANGE M6X6					10	10		
4	2	114970-13560	MUFFLER					1	1		
5	2	114970-13700	COVER					1	1		
6	2	114970-13710	COVER					2	2		
7	1	26106-080182	BOLT, M8X 18 PLATED					2	2		
8	1	26226-080202	STUD, M8X 20					2	2		
9	1	26366-080002	NUT, M8					2	2		
10	1	114658-13800	PIPE					1	1		

Remarks
(G) THESE PARTS ARE SOLD BY FIG.33,
REF.NO.15,16.

Fig.27. CRANKSHAFT,PISTON & CAMSHAFT

27. CRANKSHAFT, PISTON & CAMSHAFT



(A)=L40AE-D(EGTM)
 (B)=L48AE-D(EGTM)
 (C)=L60AE-D(EGTM)

(D)=L70AE-D(EGTM)
 (E)=L90AE-D(EGTM)
 (F)=L100AE-D(EGTM)

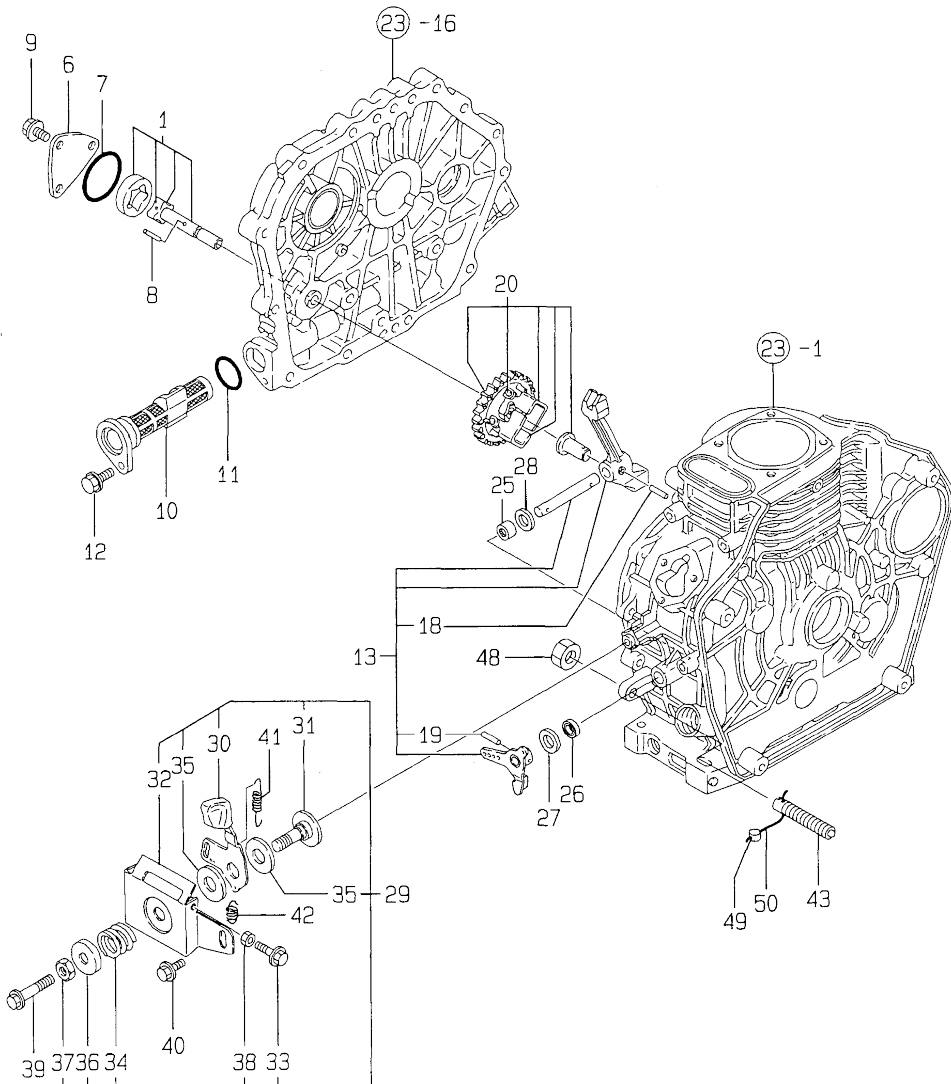
No.	Lev.	Parts No.	Description	Q'ty						I	R
				(A)	(B)	(C)	(D)	(E)	(F)		
1	1	714689-14580	CAMSHAFT ASSY					1			1
6	1	114650-14200	TAPPET					2			2
7	1	114250-14260	TAPPET					1			1
8	1	114650-14401	ROD ASSY, PUSH					2			2
12	1	122710-01220	NUT, CYLINDER HEAD					1			1
13	1	714689-21730	CRANKSHAFT ASSY					1			1
21	1	114650-21551	WASHER					1			1
22	1	114660-21401	FLYWHEEL					1			1
24	1	114662-21592	FLYWHEEL ASSY					1			1
27	2	114662-21601	GEAR, RING					1			1
28	1	22512-050140	KEY, 5X 14					1			1
29A	1	714660-22723	PISTON ASSY, D					1			
29B	1	714980-22720	PISTON ASSY, D								1
31A	2	714650-22502	RING SET, PISTON					1			
31B	2	714970-22500	RING SET, PISTON								1
37	1	114650-22300	PIN, PISTON D=23					1			1
38	1	129792-22400	CIRCLIP, 23					2			2
39	1	714650-23700	ROD ASSY, CONNECTING					1			1
42	2	124060-23100	BEARING, PISTON PIN					1			1
43	2	104200-23201	BOLT, CONNECTING ROD					2			2
44	2	714650-23600	BEARING, CRANK PIN					1			1
46	1	714970-28511	SHAFT ASSY, BALANCER					1			1
51	1	24101-062034	BEARING, BALL 6203					1			1
52	1	24101-063034	BEARING, BALL 6303					1			1
53A	1	714660-22623	PISTON ASSY, 0.25 OS					1			2
53B	1	714980-22620	PISTON ASSY, 0.25 OS								1
55A	2	714650-22542	RING SET, 0.25 OS					1			2
55B	2	714970-22540	RING SET, 0.25 OS								1
61A	1	714660-22580	PISTON ASSY, 0.50 OS					1			2
61B	1	714980-22580	PISTON ASSY, 0.50 OS								1
63A	2	714650-22550	RING SET, 0.50 OS					1			2
63B	2	714970-22550	RING SET, 0.50 OS								1
67	1	714650-23610	BEARING ASSY, 0.25					1			1
69	1	714650-23620	BEARING, 0.50 US					1			1

Remarks

- (1) FOR L90AE-DEGTM, L100AE-DEGTM.
- (2) OVER-SIZED PART.
- (3) UNDER-SIZED PART.

Fig.28. LUB.OIL PUMP & GOVERNOR

28.LUB.OIL PUMP & GOVERNOR



(A)=L40AE-D(EGTM)
 (B)=L48AE-D(EGTM)
 (C)=L60AE-D(EGTM)

(D)=L70AE-D(EGTM)
 (E)=L90AE-D(EGTM)
 (F)=L100AE-D(EGTM)

No.	Lev.	Parts No.	Description	Q'ty						I	R
				(A)	(B)	(C)	(D)	(E)	(F)		
1	1	114650-32010	PUMP ASSY, OIL					1	1		
6	1	114250-32070	COVER					1	1		
7	1	103338-32570	O-RING					1	1		G
8	1	22312-030160	PIN, PARALLEL M3X16					1	1		
9	1	26476-060142	SCREW, TAPPING M6X14					3	3		
10	1	114250-35070	FILTER, OIL					1	1		
11	1	24341-000224	O-RING, 1AS22.4					1	1		
12	1	26106-060162	BOLT, M6X 16 PLATED					1	1		
13	1	714650-61500	LEVER ASSY, GOVERNOR					1	1		
18	2	22322-030200	PIN, TAPER 3X20					1	1		
19	2	22322-030200	PIN, TAPER 3X20					1	1		
20	1	714685-61700	GOVERNOR ASSY					1	1		
25	1	114270-61520	BEARING, NEEDLE 8					2	2		
26	1	114770-61600	SEAL, OIL					1	1		
27	1	114770-61610	WASHER, THRUST					1	1		
28	1	114770-61190	WASHER					1	1		
29	1	183250-66500	BRACKET ASSY					1	1		
30	2	183250-66050	HANDLE, REGULATOR					1	1		
31	2	183250-66070	SHAFT, HANDLE					1	1		
32	2	183250-66100	BRACKET, RADIATOR					1	1		
33	2	114250-66440	BOLT, ADJUSTING					1	1		
34	2	104200-66820	SPRING					1	1		
35	2	104200-66830	PLATE, FRICTION					2	2		
36	2	104200-66850	WASHER					1	1		
37	2	26696-100002	NUT, LOCK M10					1	1		
38	2	26757-060002	NUT, LOCK M6					1	1		
39	1	26106-060452	BOLT, M6X 45 PLATED					1	1		
40	1	26476-060142	SCREW, TAPPING M6X14					1	1		
41	1	114970-66010	SPRING, REGULATOR					1	1		
42	1	114250-66200	SPRING, RETURN					1	1		
43	1	114650-66600	LIMITER ASSY, FUEL					1	1		
48	1	26696-100002	NUT, LOCK M10					1	1		
49	1	135210-61090	LEAD					1	1		
50	1	22451-060000	WIRE, 0.6					1	1		

Remarks

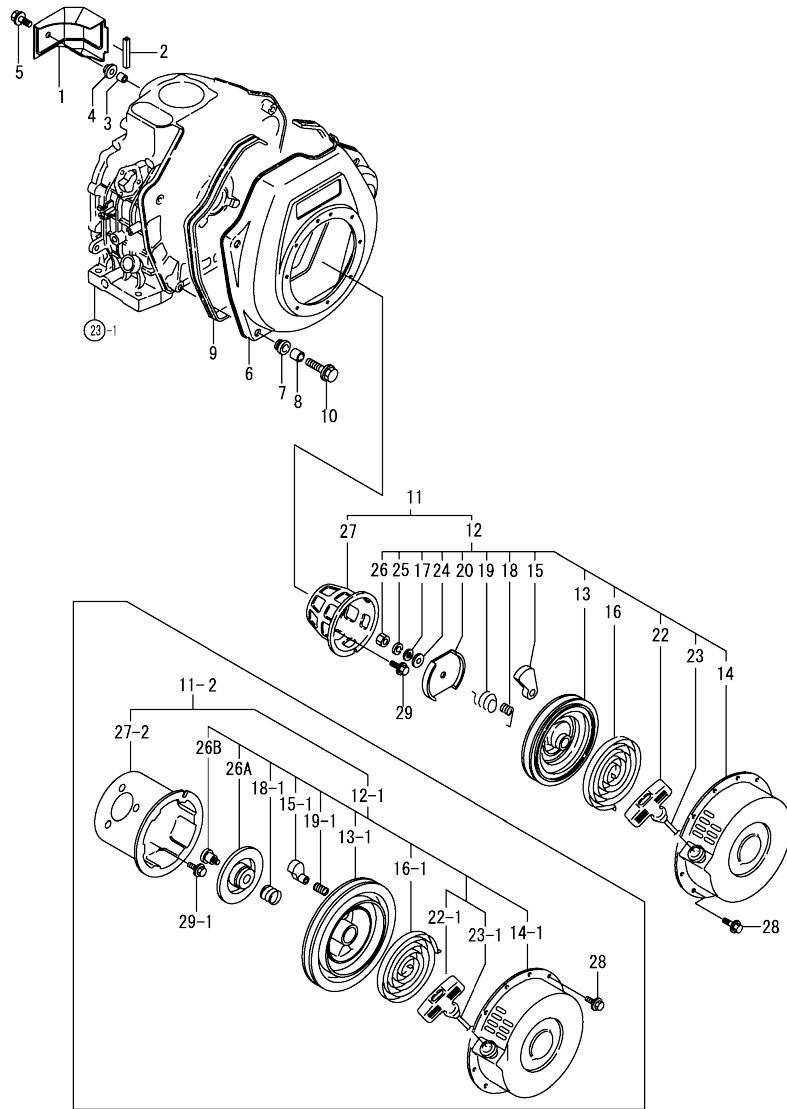
(G) THESE PARTS ARE SOLD BY FIG.33,
 REF.NO.15,16.

Fig.29. COOLING & STARTING DEVICE

(A)=L40AE-D(EGTM)
 (B)=L48AE-D(EGTM)
 (C)=L60AE-D(EGTM)

(D)=L70AE-D(EGTM)
 (E)=L90AE-D(EGTM)
 (F)=L100AED(EGTM)

29. COOLING & STARTING DEVICE

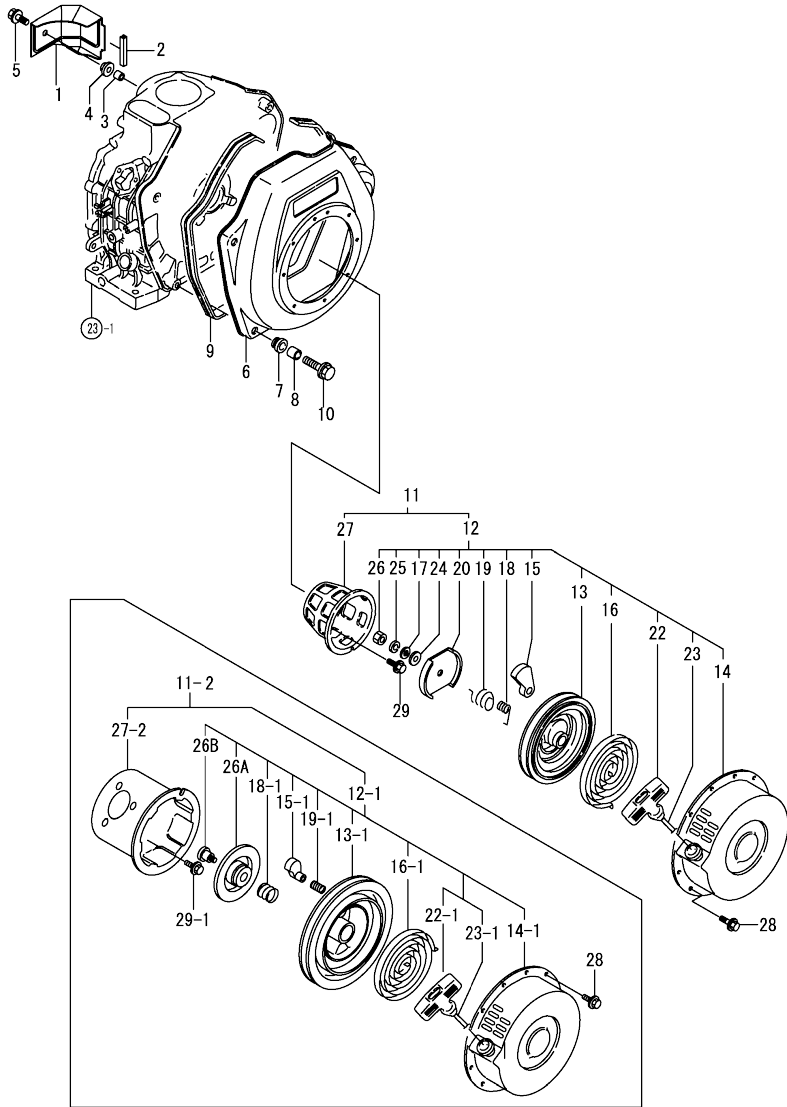


No.	Lev.	Parts No.	Description	Q'ty						I	R
				(A)	(B)	(C)	(D)	(E)	(F)		
1	1	114650-45201	COVER					1	1		
2	1	114350-45320	RUBBER, SEAL					1	1		
3	1	114350-45340	COLLAR					1	1		
4	1	183720-55210	GROMMET					1	1		
5	1	26476-060202	SCREW, TAPPING M6X20					1	1		
6	1	114668-45102-R	CASE, COOLING FAN					1	1		
7	1	114250-45300	ABSORBER					4	4		
8	1	114250-45310	COLLAR					4	4		
9	1	114650-45330	SEAL, FAN CASE L=950					1	1		
10	1	114370-45350	BOLT					4	4		
11	1	114660-76050	STARTER ASSY, RECOIL					1	1		
11-1	1	114660-76051	STARTER ASSY, RECOIL					1	1	S	
11-2	1	114660-76052	STARTER ASSY, RECOIL	(E=EZZZZZ)				(F=EZZZZZ)			R 1
				(E=EZZZZZ)				(F=EZZZZZ)			
12	2	114660-76250	STARTER ASSY, RECOIL					1	1		
12-1	2	114660-76251	STARTER ASSY, RECOIL					1	1	S	
				(E=EZZZZZ)				(F=EZZZZZ)			
13	3	114650-76520	REEL					1	1		
13-1	3	114880-76520	REEL					1	1	S	
				(E=EZZZZZ)				(F=EZZZZZ)			
14	3	114660-76530	CASE, STARTER					1	1		
14-1	3	114660-76531	CASE, STARTER					1	1	S	
				(E=EZZZZZ)				(F=EZZZZZ)			
15	3	160910-76530	RATCHET					1	1		
15-1	3	114870-76530	RATCHET					2	2	S	
				(E=EZZZZZ)				(F=EZZZZZ)			
16	3	114650-76540	SPRING, SPIRAL					1	1		
16-1	3	114870-76540	SPRING, SPIRAL					1	1	S	
				(E=EZZZZZ)				(F=EZZZZZ)			
17	3	160910-76550	WASHER, THRUST					1	1	Z	
				(E=EZZZZZ)				(F=EZZZZZ)			
18	3	160910-76560	SPRING, FRICTION					1	1		
18-1	3	114870-76560	SPRING, FRICTION					1	1	S	
				(E=EZZZZZ)				(F=EZZZZZ)			
19	3	160910-76570	SPRING, RETURN					1	1		
19-1	3	114870-76570	SPRING, RETURN					2	2	S	
				(E=EZZZZZ)				(F=EZZZZZ)			
20	3	160910-76580	PLATE, FRICTION					1	1	Z	
				(E=EZZZZZ)				(F=EZZZZZ)			
22	3	160910-76620	KNOB, STARTER					1	1		
22-1	4	114870-76620	KNOB, STARTER					1	1	S	
				(E=EZZZZZ)				(F=EZZZZZ)			
23	3	114650-76630	ROPE, STARTER					1	1		
23-1	4	114650-76631	ROPE, STARTER					1	1	S	
				(E=EZZZZZ)				(F=EZZZZZ)			
24	3	160910-76650	WASHER, THRUST					1	1	Z	
				(E=EZZZZZ)				(F=EZZZZZ)			
25	3	22217-060000	WASHER, SPRING 6					1	1	Z	
26	3	26717-060002	NUT, M6					1	1	Z	
				(E=EZZZZZ)				(F=EZZZZZ)			

Remarks
 (1) Interchangeable by simultaneous replacement with Ref.12-1 and Ref.27-2.

Fig.29. COOLING & STARTING DEVICE

29. COOLING & STARTING DEVICE



(A)=L40AE-D(EGTM) (D)=L70AE-D(EGTM)
 (B)=L48AE-D(EGTM) (E)=L90AE-D(EGTM)
 (C)=L60AE-D(EGTM) (F)=L100AED(EGTM)

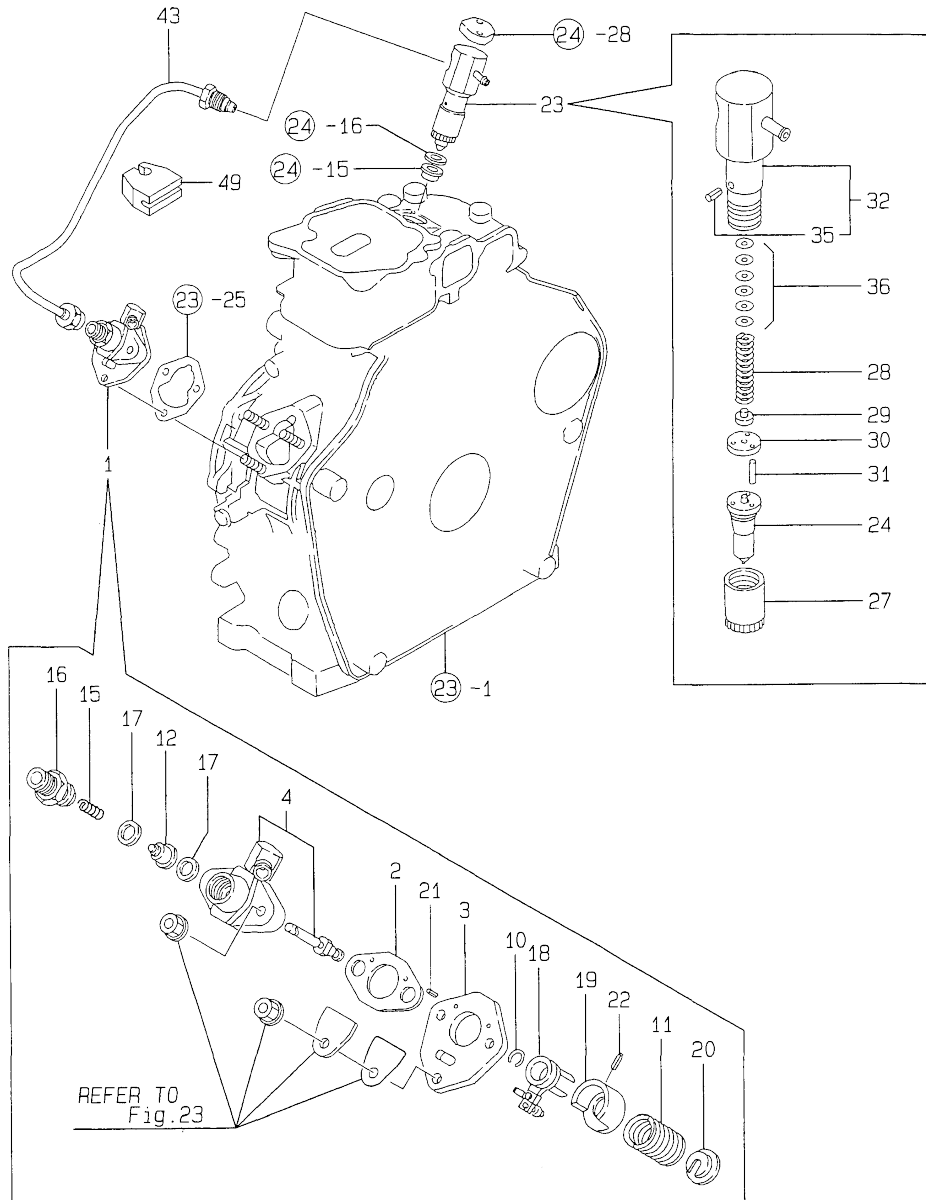
No.	Lev.	Parts No.	Description	Q'ty						I	R
				(A)	(B)	(C)	(D)	(E)	(F)		
26A	3	114880-76550	GUIDE, RATCHET					1	1		W
26B	3	114870-76580	SCREW	(E=EZZZZZ)				(F=EZZZZZ)			W
27	2	114660-76590	PULLEY, STARTER					1	1		
27-1	2	114660-76591	PULLEY, STARTER	(E=EZZZZZ)				(F=EZZZZZ)			S
27-2	2	114660-76592	PULLEY, STARTER	(E=EZZZZZ)				1	1		S
28	1	26106-060082	BOLT, M6X 8 PLATED					4	4		
29	1	26106-060122	BOLT, M6X 12 PLATED					4	4		
29-1	1	26106-060122	BOLT, M6X 12 PLATED					3	3		K
				(E=EZZZZZ)				(F=EZZZZZ)			

Remarks

(1) Interchangeable by simultaneous replacement with Ref.12-1 and Ref.27-2.

Fig.30. FUEL INJECTION PUMP

30.FUEL INJECTION PUMP



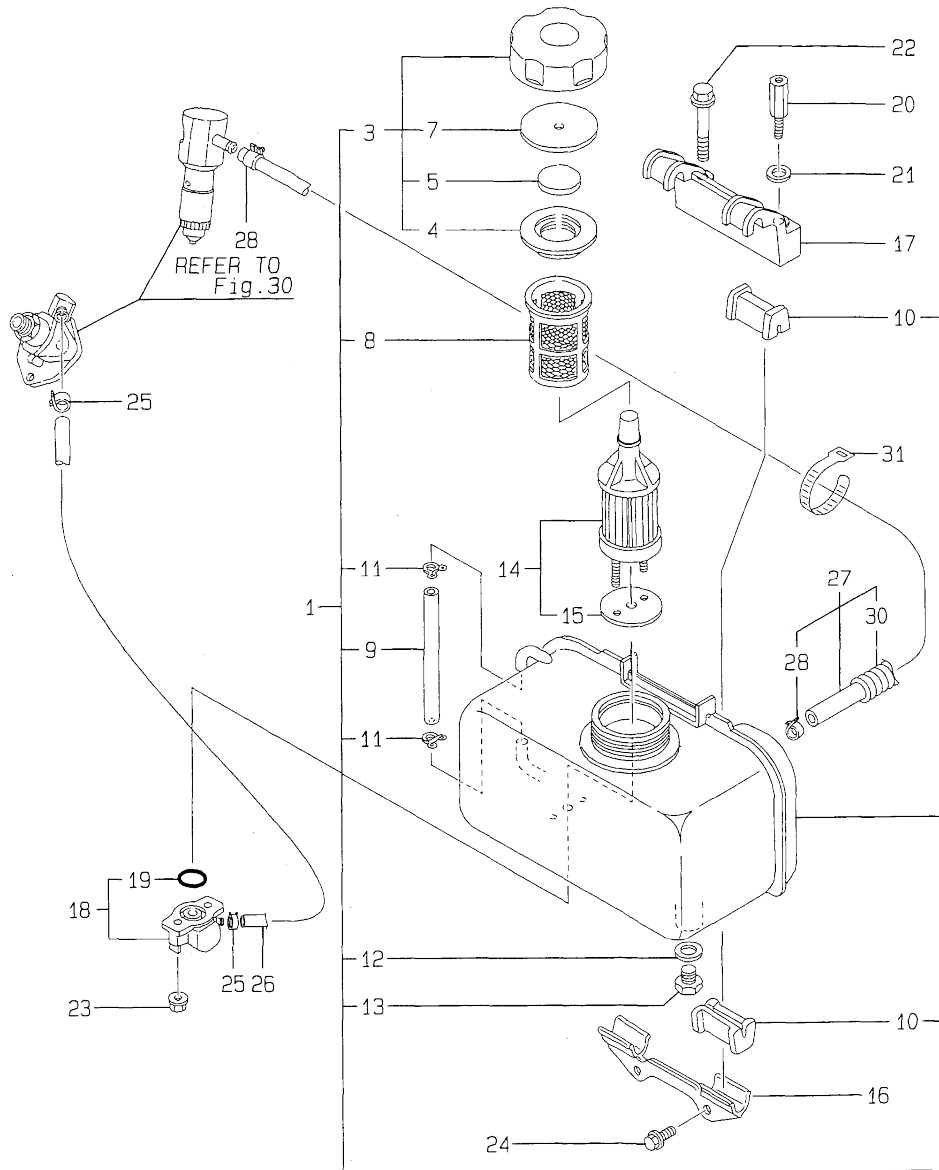
(A)=L40AE-D(EGTM)
(B)=L48AE-D(EGTM)
(C)=L60AE-D(EGTM)

(D)=L70AE-D(EGTM)
(E)=L90AE-D(EGTM)
(F)=L100AED(EGTM)

No.	Lev.	Parts No.	Description	Q'ty						I	R
				(A)	(B)	(C)	(D)	(E)	(F)		
1A	1	783650-51740	PUMP ASSY, INJECTION							1	
1B	1	783986-51740	PUMP ASSY, INJECTION								1
2	2	105546-51020	GASKET							1	1
3	2	114250-51080	PLATE							1	1
4A	2	183650-51400	BODY ASSY, PUMP							1	
4B	2	183986-51400	BODY ASSY, PUMP								1
10	2	114250-51150	RING, SNAP							1	1
11	2	114250-51160	SPRING, PLUNGER							1	1
12	2	114650-51300	VALVE ASSY, DELIVERY							1	1
15	2	105546-51330	SPRING, DELIVERY							1	1
16	2	114250-51340	HOLDER, DELIVERY							1	1
17	2	124550-51350	GASKET, DELIVERY							2	2
18	2	114250-51600	LEVER ASSY, CONTROL							1	1
19	2	114250-51640	SEAT, SPRING A							1	1
20	2	114250-51650	SEAT, SPRING B							1	1
21	2	22351-020006	PIN, SPRING 2.0X 6							2	2
22	2	22351-030008	PIN, SPRING 3.0X 8							1	1
23	1	714650-53100	VALVE ASSY,INJECTION							1	1
24	2	114650-53000	VALVE ASSY,INJECTION							1	1
27	2	114250-53080	NUT, NOZZLE D16.95							1	1
28	2	114250-53120	SPRING, NOZZLE							1	1
29	2	114250-53130	SEAT, SPRING							1	1
30	2	114250-53140	PLATE							1	1
31	2	114250-53210	PIN							2	2
32	2	114650-53300	HOLDER ASSY, NOZZLE							1	1
35	3	114250-53331	PIN							1	1
36	2	114250-53400	SHIM SET							1	1
43	1	114650-59810	PIPE ASSY, INJECTION							1	1
49	1	114650-59850	SUPPORT							1	1

Fig.31. FUEL TANK & FUEL LINE

31.FUEL TANK & FUEL LINE



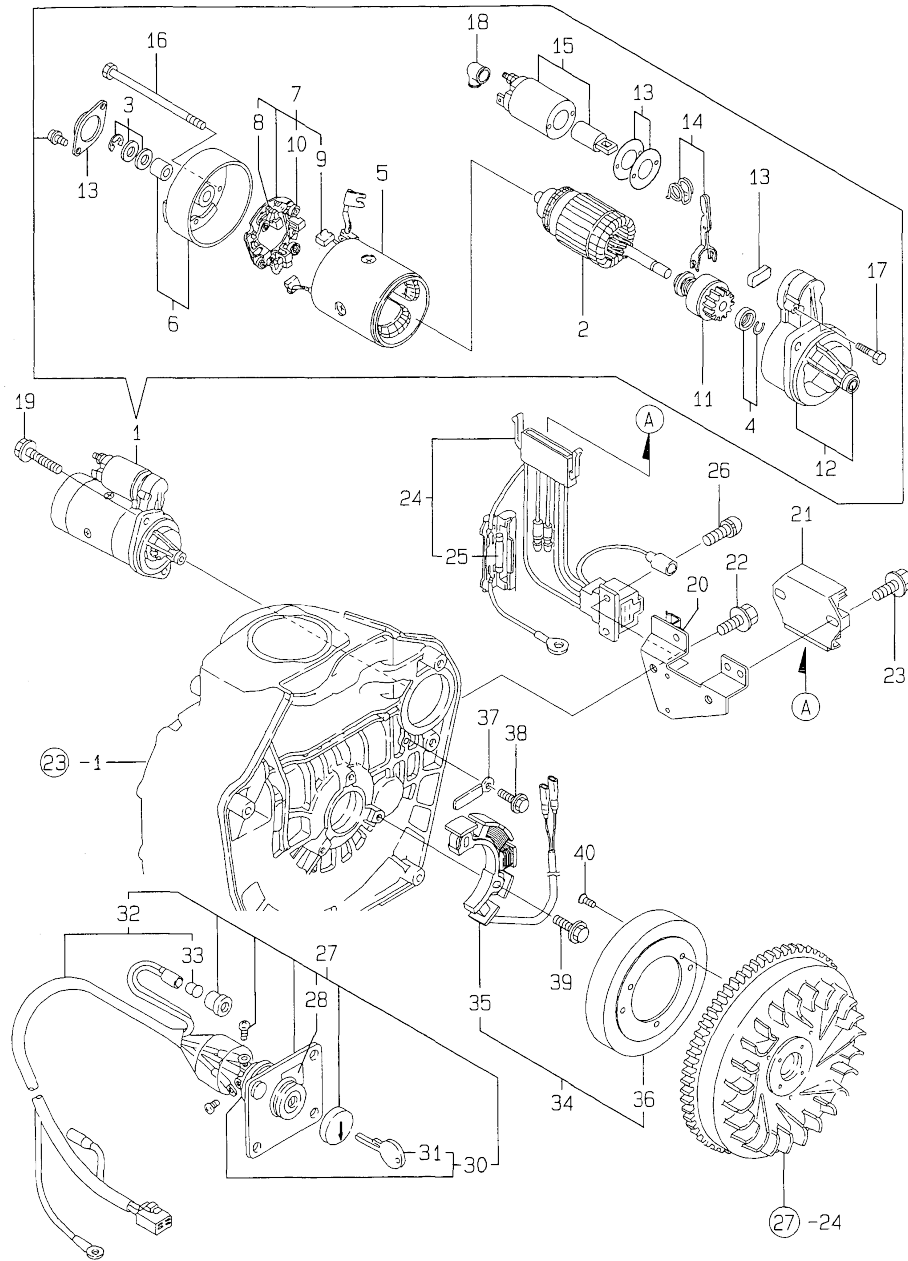
(A)=L40AE-D(EGTM)
 (B)=L48AE-D(EGTM)
 (C)=L60AE-D(EGTM)

(D)=L70AE-D(EGTM)
 (E)=L90AE-D(EGTM)
 (F)=L100AED(EGTM)

No.	Lev.	Parts No.	Description	Q'ty						I	R
				(A)	(B)	(C)	(D)	(E)	(F)		
1	1	714668-55700	TANK ASSY, FUEL							1	1
3	2	114250-55041	CAP ASSY							1	1
4	3	114250-55050	GASKET							1	1
5	3	114250-55060	SEAL							1	1
7	3	114250-55080	SEAT							1	1
8	2	114250-55100	FILTER, FUEL							1	1
9	2	114650-55150	GAUGE, LEVEL							1	1
10	2	114250-55201	DAMPER, FUEL TANK							4	4
11	2	124722-59050	CLIP, HOSE 9							2	2
12	2	23414-120000	GASKET, 12X1.0							1	1
13	2	23887-120002	PLUG, 12							1	1
14	1	114250-55121	FILTER ASSY, FUEL							1	1
15	2	114250-55130	GASKET							1	1
16	1	114250-55211	STAY, FUEL TANK							1	1
17	1	114650-55230	STAY, FUEL TANK							1	1
18	1	114250-55300	COCK ASSY, FUEL							1	1
19	2	24341-000150	O-RING, 1AS15.0							1	1
20	1	114650-55810	BOLT							1	1
21	1	22117-080000	WASHER, 8							1	1
22	1	26106-080452	BOLT, M8X 45 PLATED							1	1
23	1	26366-060002	NUT, M6							2	2
24	1	26476-060142	SCREW, TAPPING M6X14							2	2
25	1	106990-44660	CLIP, HOSE 12.5							2	2
26	1	114250-59050	PIPE, FUEL L=46							1	1
27	1	114652-59300	PIPE, FUEL RETURN							1	1
28	2	124722-59050	CLIP, HOSE 9							2	2
30	2	114652-59310	TUBE, PROTECT							1	1
31	2	121750-59890	BAND, 140							1	1

Fig.32. STARTING MOTOR & DYNAMO

32.STARTING MOTOR & DYNAMO



(A)=L40AE-D(EGTM

(B)=L48AE-D(EGTM

(C)=L60AE-D(EGTM

(D)=L70AE-D(EGTM

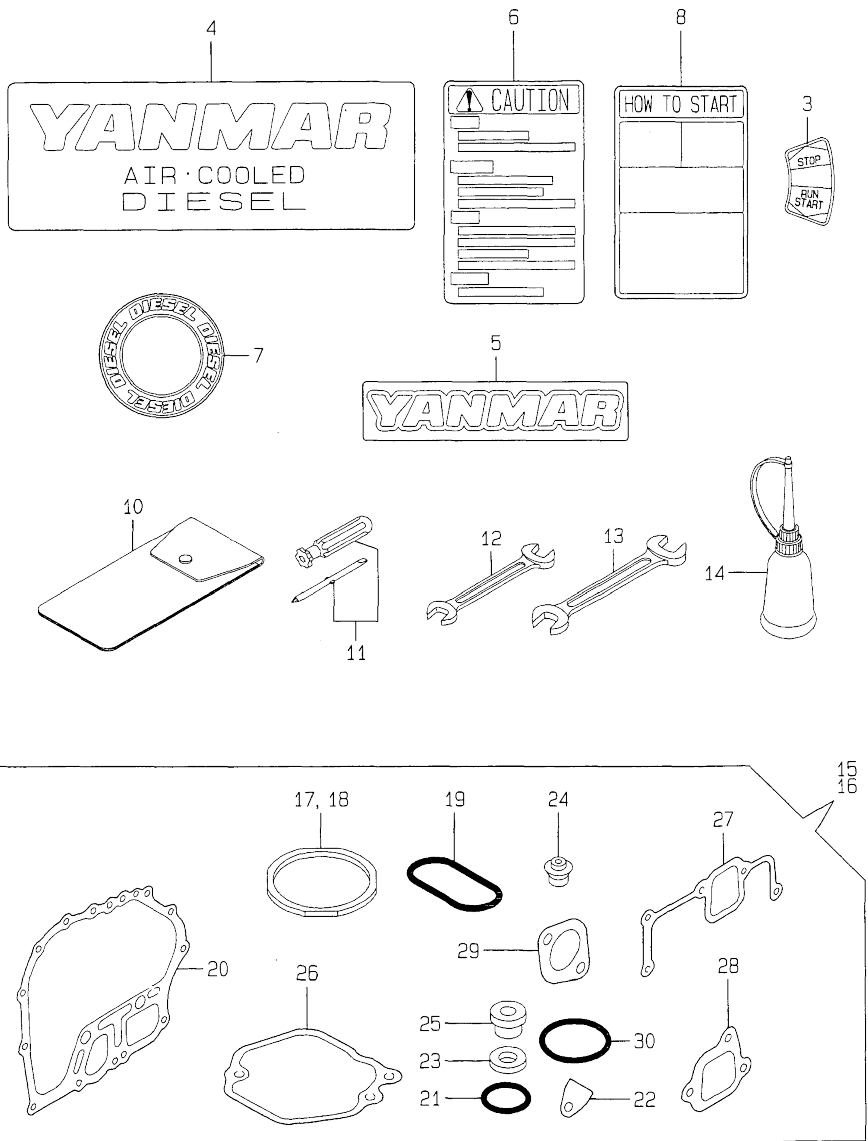
(E)=L90AE-D(EGTM

(F)=L100AED(EGTM

No.	Lev.	Parts No.	Description	Q'ty						I	R
				(A)	(B)	(C)	(D)	(E)	(F)		
1	1	114362-77011	STARTER(HITACHI 12V					1	1		
2	2	114381-77110	ARMATURE					1	1		
3	2	X2114811000	WASHER KIT, THRUST					1	1		
4	2	X2114715500	STOPPER SET, PINION					1	1		
5	2	114381-77130	COIL ASSY, FIELD					1	1		
6	2	114381-77140	COVER, REAR					1	1		
7	2	114371-77160	HOLDER ASSY, BRUSH					1	1		
8	3	114371-79040	BRUSH (-)					2	2		
9	3	114371-79050	BRUSH (+)					1	1		
10	3	114371-79060	SPRING, BRUSH					4	4		
11	2	X2114455080	PINION ASSY					1	1		
12	2	114381-77150	HOUSING ASSY, GEAR					1	1		
13	2	114371-77170	COVER KIT, DUST					1	1		
14	2	X2114560130	LEVER KIT, SHIFT					1	1		
15	2	X2114275010	SWITCH ASSY, MAGNET					1	1		
16	2	X2114680050	BOLT, THROUGH					2	2		
17	2	114371-79070	BOLT M 6X 37					2	2		
18	2	X2114274200	COVER, TERMINAL					1	1		
19	1	26106-100302	BOLT, M10X 30 PLATED					2	2		
20	1	114385-77400	BRACKET					1	1		
21	1	119660-77710	LIMITER, CURRENT 15A					1	1		
22	1	26106-060122	BOLT, M6X 12 PLATED					2	2		
23	1	26106-060202	BOLT, M6X 20 PLATED					2	2		
24	1	114351-77540	HARNES, WIRE					1	1		
25	2	29411-150000	FUSE, CARTRIDGE 15A					2	2		
26	1	114351-77550	SCREW, M4X6					2	2		
27	1	114351-77500	PANEL ASSY					1	1		
28	2	105198-07120	LABEL, STARTER					1	1		
30	2	106100-77620	SWITCH, KEY					1	1		
31	3	106100-77630	KEY, SWITCH					1	1		
32	2	114351-77700	HARNES, WIRE					1	1		
33	3	29220-083200	BULB (12V/3.4W)					1	1		
34	1	114351-78261	DYNAMO ASSY					1	1		
35	2	114351-78771	STATOR ASSY					1	1		
36	2	114351-78781	WHEEL, DYNAMO					1	1		
37	1	160710-78710	CLAMP, CORD					1	1		
38	1	26476-060142	SCREW, TAPPING M6X14					1	1		
39	1	26476-060202	SCREW, TAPPING M6X20					3	3		
40	1	26577-060142	SCREW M 6X 14					3	3		

Fig.33. TOOL,LABEL & GASKET SET

33.TOOL, LABEL & GASKET SET



No.	Lev.	Parts No.	Description	Q'ty						I	R
				(A)	(B)	(C)	(D)	(E)	(F)		
3	1	183250-07230	LABEL, OPERATION							1	1
4	1	114250-07090	LABEL, AIR COOLED							1	1
5	1	114250-07111	LABEL, YANMAR							1	1
6	1	114268-07240	LABEL, CAUTION							1	1
7	1	114261-07350	LABEL							1	1
8	1	114268-07350	LABEL, HOW TO START							1	1
10	1	114250-92600	BAG, TOOL							1	1
11	1	160330-92730	DRIVE, SCREW							1	1
12	1	28110-100120	SPANNER, 10X12							1	1
13	1	28110-140170	SPANNER, 14X17							1	1
14	1	28210-000150	OILER							1	1
15	1	714687-92600	GASKET SET							1	1
16	1	714989-92600	GASKET SET							1	1
17	2	114650-01340	GASKET, HEAD						1		1
18	2	114970-01340	GASKET, HEAD								1
19	2	114650-01380	O-RING							1	1
20	2	114650-01412	GASKET, CRANK CASE							1	1
21	2	24311-000180	O-RING, 1AP18.0							2	2
22	2	114250-01841	GASKET							1	1
23	2	22190-160002	WASHER, SEAL 16							2	2
24	2	114650-11340	SEAL, VALVE STEM							2	2
25	2	114250-11460	GASKET, NOZZLE							1	1
26	2	114650-11311	GASKET, BONNET							1	1
27	2	114650-12301	GASKET							1	1
28	2	114650-12211	GASKET, AIR CLEANER							1	1
29	2	114650-13201	GASKET, MUFFLER							1	1
30	2	103338-32570	O-RING							1	1

Remarks
(1) OPTIONAL PARTS.

Parts No. Index

Parts No.	Fig. No.	Ref. No.
101158-11180	13	9
103338-32570	6	7
	11	30
	17	7
	22	30
	28	7
	33	30
103854-01221	5	20
	16	20
104200-23201	27	43
104200-66820	6	34
	17	34
	28	34
104200-66830	6	35
	17	35
	28	35
104200-66850	6	36
	17	36
	28	36
104211-11370	24	14
		27
105010-11490	13	16
		29
105025-01220	23	8
105198-07120	10	28
	21	28
	32	28
105225-01240	12	11
105425-01690	1	35
	12	21
	23	21
105546-51020	8	2
	19	2
	30	2
105546-51330	8	14
	19	14
	30	15
106100-77620	10	30
	21	30
	32	30
106100-77630	10	31
	21	31
	32	31
106990-44660	9	25
	20	25
	31	25
114250-01200	1	8
114250-01210	1	9
114250-01220	1	10
114250-01250	1	11

Parts No.	Fig. No.	Ref. No.
114250-01340	1	13 A
	11	17
114250-01380	1	14
	11	19
114250-01412	1	26
	11	20
114250-01800	1	15
	12	25
	23	25
114250-01830	1	20
	12	30
	23	30
114250-01841	1	21
	11	22
	12	31
	22	22
	23	31
	33	22
114250-02030	1	40
	12	40
	23	40
114250-02100	1	30
114250-02113	1	41
114250-02200	1	47
114250-02210	1	48
114250-03591	2	38
	13	38
	24	36
114250-03640	2	41
	13	41
	24	39
114250-07090	11	3
	22	4
	33	4
114250-07111	11	4
	22	5
	33	5
114250-11101	2	6
114250-11113	2	7
114250-11120	2	8
114250-11180	2	9
114250-11240	2	22
		27
	13	22
		27
	24	20
		25
114250-11290	2	12
	13	12
114250-11311	2	35

Parts No.	Fig. No.	Ref. No.
114250-11311	11	26
	13	35
	22	26
114250-11340	2	15
	11	24
114250-11460	2	17
	11	25
	13	17
	22	25
	24	15
	33	25
114250-11600	2	19
	13	19
114250-11651	2	20
	13	20
114250-11900	2	30
	13	30
	24	28
114250-11951	2	36
	13	36
114250-12010	3	10
114250-12201	3	11
	11	27
114250-12211	3	1
	11	28
	14	1
	22	28
114250-12520	3	4
	14	4
114250-12530	3	5
	14	5
114250-12550	3	8
	14	8
114250-12560	3	6
	14	7
114250-12580	3	7
	14	6
114250-13201	4	1
	11	29
	15	1
	22	29
114250-14200	5	6
	16	6
114250-14260	5	7
	16	7
	27	7
114250-14450	5	8
114250-21550	5	27
	16	21
114250-22302	5	37

Parts No.	Fig. No.	Ref. No.
114250-23200	5	42
	16	42
114250-23220	5	43
	16	43
114250-23250	5	44
	16	44
114250-32010	6	1
	17	1
114250-32070	6	6
	17	6
	28	6
114250-35070	6	10
	17	10
	28	10
114250-35150	1	32
	12	32
	23	32
114250-45211	7	1
114250-45300	7	4
	18	7
	29	7
114250-45310	7	5
	18	8
	29	8
114250-45330	7	6
	18	9
114250-51080	8	3
	19	3
	30	3
114250-51150	30	10
114250-51160	8	4
	19	10
	30	11
114250-51300	8	11
	19	11
114250-51340	8	15
	19	15
	30	16
114250-51400	8	5 A
114250-51600	8	17
	19	17
	30	18
114250-51640	8	18
	19	18
	30	19
114250-51650	8	19
	19	19
	30	20
114250-53001	8	23
114250-53080	8	26

Parts No. Index

Parts No.	Fig. No.	Ref. No.
114250-53080	19	26
	30	27
114250-53120	8	27
	19	27
	30	28
114250-53130	8	28
	19	28
	30	29
114250-53140	8	29
	19	29
	30	30
114250-53210	8	30
	19	30
	30	31
114250-53300	8	31
	19	31
114250-53331	8	34
	19	34
	30	35
114250-53400	8	35
	19	35
	30	36
114250-55041	9	5
	20	3
	31	3
114250-55050	9	6
	20	4
	31	4
114250-55060	9	7
	20	5
	31	5
114250-55080	20	7
	31	7
114250-55100	9	10
	20	8
	31	8
114250-55121	9	14
	20	14
	31	14
114250-55130	9	15
	20	15
	31	15
114250-55150	9	11
114250-55201	9	12
	20	10
	31	10
114250-55211	9	16
	20	16
	31	16
114250-55231	9	17

Parts No.	Fig. No.	Ref. No.
114250-55300	9	18
	20	18
	31	18
114250-59050	9	26
	31	26
114250-59060	9	28
	20	27
114250-59800	8	42
114250-66200	6	42
	17	42
	28	42
114250-66440	6	33
	17	33
	28	33
114250-66550	17	43
114250-76590	7	23
114250-92600	11	10
	22	10
	33	10
114252-12550	25	10
114252-12560	25	9
114260-01454	1	27
114260-76050	7	8
114260-76250	7	9
114260-76520	7	10
114261-07350	11	7
	22	7
	33	7
114262-21600	5	26
114268-07240	11	5
	22	6
	33	6
114268-07350	11	8
	22	8
	33	8
114268-13500	4	2
114268-13510	4	3
114268-13700	4	4
	15	4
114268-13800	4	9
	15	9
114268-59060	20	28
114270-01600	1	22
	12	33
	23	34
114270-61520	6	25
	17	25
	28	25
114350-01200	12	8
114350-01210	12	9

Parts No.	Fig. No.	Ref. No.
114350-01220	12	10
114350-01250	12	12
114350-01340	12	13 A
	22	17
114350-01380	12	14
	22	19
114350-01412	12	15
	22	20
114350-01700	1	6
	12	6
	23	6
114350-02100	12	19
114350-02113	12	41
114350-02200	12	46
114350-02210	12	47
114350-11101	13	6
114350-11113	13	7
114350-11120	13	8
114350-11340	13	15
	22	24
114350-11470	2	18
	13	18
	24	16
114350-12011	14	10
114350-12202	14	11
	22	27
114350-14450	16	8
114350-22301	16	37
114350-45320	18	2
	29	2
114350-45340	18	3
	29	3
114350-51400	19	4 A
114350-55150	20	9
114350-55231	20	17
114350-59800	19	42
114350-76590	18	24
114350-76591	18	24 -1
114351-77500	10	27
	21	27
	32	27
114351-77540	10	24
	21	24
	32	24
114351-77550	10	26
	21	26
	32	26
114351-77700	10	32
	21	32
	32	32

Parts No.	Fig. No.	Ref. No.
114351-78261	10	34
	21	34
	32	34
114351-78771	10	35
	21	35
	32	35
114351-78781	10	36
	21	36
	32	36
114362-21600	16	27
114362-77011	10	1
	21	1
	32	1
114368-01453	12	16
114368-13500	15	2
114368-13510	15	3
114370-45350	7	7
	18	10
	29	10
114371-77160	10	7
	21	7
	32	7
114371-77170	10	13
	21	13
	32	13
114371-79040	10	8
	21	8
	32	8
114371-79050	10	9
	21	9
	32	9
114371-79060	10	10
	21	10
	32	10
114371-79070	10	17
	21	17
	32	17
114380-23100	16	47 A
114381-77110	10	2
	21	2
	32	2
114381-77130	10	5
	21	5
	32	5
114381-77140	10	6
	21	6
	32	6
114381-77150	10	12
	21	12
	32	12

Parts No. Index

Parts No.	Fig. No.	Ref. No.
114385-77400	10	20
	21	20
	32	20
114650-01230	23	9
114650-01240	23	10
114650-01250	23	11
114650-01260	23	12
114650-01340	23	13 A
	33	17
114650-01380	23	14
	33	19
114650-01412	23	15
	33	20
114650-02100	23	19
114650-02150	23	41
114650-02200	23	46
114650-02210	23	47
114650-11010	24	1
114650-11100	24	6
114650-11121	24	8
114650-11261	24	12
114650-11311	24	33
	33	26
114650-11340	24	13
	33	24
114650-11600	24	17
114650-11652	24	18
114650-11951	24	34
114650-12020	25	12
114650-12211	25	1
	33	28
114650-12301	25	13
	33	27
114650-12520	25	4
114650-12530	25	5
114650-12590	25	6
114650-13201	26	1
	33	29
114650-14200	27	6
114650-14401	27	8
114650-21551	27	21
114650-22300	27	37
114650-32010	28	1
114650-45201	29	1
114650-45330	29	9
114650-51300	30	12
114650-53000	30	24
114650-53300	30	32
114650-55150	31	9
114650-55230	31	17

Parts No.	Fig. No.	Ref. No.
114650-55810	9	20
	20	20
	31	20
114650-59810	30	43
114650-59850	30	49
114650-66600	28	43
114650-76520	29	13
114650-76540	29	16
114650-76630	29	23
114650-76631	29	23 -1
114652-59300	31	27
114652-59310	31	30
114654-11110	24	7
114658-13800	26	10
114660-01471	23	16
114660-21401	27	22
114660-76050	29	11
114660-76051	29	11 -1
114660-76052	29	11 -2
114660-76250	29	12
114660-76251	29	12 -1
114660-76530	29	14
114660-76531	29	14 -1
114660-76590	29	27
114660-76591	29	27 -1
114660-76592	29	27 -2
114662-21592	27	24
114662-21601	27	27
114668-45102-R	29	6
114770-01340	1	13 B
	11	18
114770-11020	2	1
114770-23100	5	47 A
114770-61190	6	28
	17	28
	28	28
114770-61600	6	26
	17	26
	28	26
114770-61610	6	27
	17	27
	28	27
114770-66010	6	41
114770-66550	6	43
114780-21400	5	21
114781-21590	5	23
114788-45100-R	7	3
114870-01340	12	13 B
	22	18
114870-11021	13	1

Parts No.	Fig. No.	Ref. No.
114870-45201	18	1
114870-53000	19	23
114870-66010	17	41
114870-76530	18	15 -1
	29	15 -1
114870-76540	18	16 -1
	29	16 -1
114870-76560	18	17 -1
	29	18 -1
114870-76570	18	23 B
	29	19 -1
114870-76580	18	23 C
	29	26 B
114870-76620	18	20 -1
	29	22 -1
114870-76630	18	21 -1
114880-21400	16	22
114880-76050	18	11
114880-76051	18	11 -1
114880-76250	18	12
114880-76251	18	12 -1
114880-76510	18	13
114880-76511	18	13 -1
114880-76520	18	14 -1
	29	13 -1
114880-76550	18	23 A
	29	26 A
114881-21590	16	24
114888-45100	18	6
114970-01340	23	13 B
	33	18
114970-13550	26	2
114970-13560	26	4
114970-13700	26	5
114970-13710	26	6
114970-66010	28	41
118200-23200	16	42 -1
119260-11370	2	16
	29	29
119265-23200	5	42 -1
119620-11180	24	9
119660-77710	10	21
	21	21
	32	21
121750-59890	31	31
122710-01220	27	12
124060-23100	27	42
124550-51350	8	16
	19	16
	30	17

Parts No.	Fig. No.	Ref. No.
124722-59050	9	13
		27
	20	11
		26
	31	11
		28
124950-01250	1	12
129100-61850	2	47
	13	47
129792-22400	27	38
135210-61090	6	49
	17	49
	28	49
160110-02220	1	42
	12	42
		43
160210-02220	1	43
160260-01580	26	3
160260-76520	7	11
160260-76530	7	12
160260-76540	7	13
160260-76550	7	14
160260-76560	7	15
160260-76580	7	17
160260-76590	7	18
160260-76600	7	19
160260-76620	7	21
160260-76630	7	22
160290-76570	7	16
160330-92730	11	11
	22	11
	33	11
160710-01760	1	36
160710-78710	10	37
	21	37
	32	37
160810-76520	18	14
160810-76540	18	16
160810-76580	18	18
160810-76620	18	20
160810-76630	18	21
160840-76530	18	15
160840-76560	18	17
160910-01740	12	22
	23	22
160910-76530	29	15
160910-76550	29	17
160910-76560	29	18
160910-76570	29	19
160910-76580	29	20

Parts No. Index

Parts No.	Fig. No.	Ref. No.
160910-76620	29	22
160910-76650	29	24
181130-76680	18	22
181130-76700	18	23
183250-07230	11	6
	22	3
	33	3
183250-51400	8	5 B
183250-66050	6	30
	17	30
	28	30
183250-66070	6	31
	17	31
	28	31
183250-66100	6	32
	17	32
	28	32
183250-66500	6	29
	17	29
	28	29
183350-51400	19	4 B
183650-51400	30	4 A
183720-55210	18	4
	29	4
183986-51400	30	4 B
22117-080000	9	21
	20	21
	31	21
22190-160002	1	39
	11	23
	12	39
	22	23
	23	39
	33	23
22217-060000	29	25
22252-000190	5	38
22252-000210	16	38
22312-030080	5	45
	16	45
22312-030160	2	43
	6	8
	13	43
	17	8
	24	41
	28	8
22322-030200	6	18
		19
	17	18
		19
	28	18

Parts No.	Fig. No.	Ref. No.
22322-030200	28	19
22351-020006	8	20
	19	20
	30	21
22351-030008	8	21
	19	21
	30	22
22351-040008	2	31
	13	31
	24	29
22451-060000	6	50
	17	50
	28	50
22512-040120	5	28
	16	28
22512-050140	27	28
23414-120000	9	3
	20	12
	31	12
23871-010000	1	46
	12	34
	23	33
23887-120002	9	4
	20	13
	31	13
24101-062024	5	53
	16	53
24101-062034	27	51
24101-063034	27	52
24162-152112	1	44
	12	44
	23	42
24311-000180	1	38
	11	21
	12	24
	22	21
	23	24
	33	21
24341-000150	9	19
	20	19
	31	19
24341-000224	6	11
	11	31
	17	11
	28	11
24423-355008	23	43
		44
26106-060082	4	5
	7	24
	15	5

Parts No.	Fig. No.	Ref. No.
26106-060082	18	25
	29	28
26106-060122	4	6
	7	25
	10	22
	15	6
	18	26
	21	22
	29	29
		29 -1
	32	22
26106-060162	6	12
	17	12
	28	12
26106-060202	10	23
	21	23
	32	23
26106-060252	1	33
	3	12
	14	12
	25	14
26106-060452	6	39
	17	39
	28	39
26106-060552	2	46
	13	46
26106-060702	24	44
26106-080122	1	45
	12	45
	23	45
26106-080182	26	7
26106-080352	1	34
	12	35
	23	35
26106-080452	2	32
	9	22
	13	32
	20	22
	31	22
26106-100122	1	7
	12	7
	23	7
26106-100302	10	19
	21	19
	32	19
26106-100552	24	30
26216-080182	4	7
	15	7
26226-060142	3	13
	14	13

Parts No.	Fig. No.	Ref. No.
26226-060142	25	15
26226-060182	1	23
	12	36
	23	36
26226-060222	1	24
	12	37
	23	37
26226-060502	2	33
	13	33
	24	31
26226-060552	3	14
	14	14
26226-060752	25	16
26226-080202	26	8
26366-060002	1	25
	2	34
	3	9
	9	23
	12	38
	13	34
	14	9
	20	23
	23	38
	24	32
	25	11
	31	23
26366-080002	4	8
	15	8
	26	9
26476-060142	6	9
		40
	7	2
	9	24
	10	38
	17	9
	20	24
	21	38
	28	9
		40
	31	24
	32	38
26476-060202	10	39
	18	5
	21	39
	29	5
	32	39
26577-060142	10	40
	21	40
	32	40

Parts No. Index

Parts No.	Fig. No.	Ref. No.
26696-100002	6	37
		48
	17	37
		48
	28	37
	48	
26717-060002	29	26
26756-060002	2	23
		28
	13	23
		28
	24	21
	26	
26757-060002	6	38
	17	38
	28	38
27310-060001	13	10
27310-070001	24	10
28110-100120	11	12
	22	12
	33	12
28110-140170	11	13
	22	13
	33	13
28210-000150	11	14
	22	14
	33	14
29220-083200	10	33
	21	33
	32	33
29411-150000	10	25
	21	25
	32	25
714250-11570	2	10
714250-12560	3	2
	14	2
714250-22502	5	31 A
714250-22542	5	56 A
714250-22550	5	62 A
714250-23600	5	46
714250-23610	5	66
714250-23620	5	68
714250-23703	5	39
714250-51710	8	1 A
714250-53101	8	22
714250-55711-R	9	1
714250-61500	6	13
714250-92602	11	15
714270-01560	1	1 A
714270-11660	2	24

Parts No.	Fig. No.	Ref. No.
714271-01560	1	1 B
714280-22580	5	60 A
714280-22620	5	54 A
714280-22720	5	29 A
714288-21730	5	12
714350-22502	16	31 A
714350-22542	16	56 A
714350-22550	16	62 A
714350-23600	16	46
714350-23610	16	66
714350-23620	16	68
714350-23704	16	39
714350-28520	16	48
714350-51710	19	1 A
714350-55711	20	1
714350-61500	17	13
714368-21740	16	12 -1
714370-11660	13	24
714371-01560	12	1 A
714380-22580	16	60 A
714380-22620	16	54 A
714380-22720	16	29 A
714380-23600	16	46 -1
714380-23610	16	66 -1
714380-23620	16	68 -1
714380-23700	16	39 -1
714386-92600	22	15
714388-21730	16	12
714650-12560	25	2
714650-22502	27	31 A
714650-22542	27	55 A
714650-22550	27	63 A
714650-23600	27	44
714650-23610	27	67
714650-23620	27	69
714650-23700	27	39
714650-53100	30	23
714650-61500	28	13
714660-22580	27	61 A
714660-22623	27	53 A
714660-22723	27	29 A
714668-55700	31	1
714670-11660	24	22
714671-01560	23	1 A
714685-61700	28	20
714687-92600	33	15
714689-14580	27	1
714689-21730	27	13
714770-22500	5	31 B
714770-22540	5	56 B

Parts No.	Fig. No.	Ref. No.
714770-22550	5	62 B
714770-23600	5	46 -1
714770-23610	5	66 -1
714770-23620	5	68 -1
714770-23700	5	39 -1
714770-28510	5	48
714770-28511	5	48 -1
714770-28512	5	48 -2
714770-51740	8	1 B
714770-61700	6	20
	17	20
714770-92601	11	16
714771-01560	1	1 C
714780-14580	5	1
714780-14581	5	1 -1
714780-22580	5	60 B
714780-22620	5	54 B
714780-22720	5	29 B
714870-22500	16	31 B
714870-22540	16	56 B
714870-22550	16	62 B
714870-28510	16	48 -1
714870-53100	19	22
714871-01560	12	1 B
714880-14580	16	1
714880-22580	16	60 B
714880-22620	16	54 B
714880-22720	16	29 B
714888-92600	22	16
714970-01560	23	1 B
714970-22500	27	31 B
714970-22540	27	55 B
714970-22550	27	63 B
714970-28511	27	46
714980-22580	27	61 B
714980-22620	27	53 B
714980-22720	27	29 B
714989-92600	33	16
783350-51740	19	1 B
783650-51740	30	1 A
783986-51740	30	1 B
X2114274200	10	18
	21	18
	32	18
X2114275010	10	15
	21	15
	32	15
X2114455080	10	11
	21	11
	32	11

Parts No.	Fig. No.	Ref. No.
X2114560130	10	14
	21	14
	32	14
X2114680050	10	16
	21	16
	32	16
X2114715500	10	4
	21	4
	32	4
X2114811000	10	3
	21	3
	32	3