

0CV10-M70200EN

# PREFACE

1. This Parts Catalog carries all parts incorporated in YANMAR Model L100AE-D engine manufactured since January, 2000.
2. Each illustration corresponds to the parts list on the following page.
3. When ordering parts, clearly write down the engine model and serial number, as well as the name and number of each part in your order sheet. This will help insure reliable delivery of the parts you have ordered.

## Directions for the Parts Catalog.

1. The parts stipulated in this Parts Catalog are not necessarily standard equipped parts.
2. Parts may change without prior notice.
3. The following is an example of the Parts Catalog format.

REF.	LEV.	PARTS NO.	DESCRIPTION	Q'TY						I	R
				(A)	(B)	(C)	(D)	(E)	(F)		
1	1	729595-51390	FUEL INJECTION PUMP	1	1	1	1	1			1
1-1	1	729595-51391	FUEL INJECTION PUMP	1	1	1	1	1		N	1
		(A=E00185) (B=E00200)									
3	2	26022-060162	SCREW M 6X 16	9	9	9	9	9			
3-1	2	26022-060162	SCREW M 6X 16	4	4	4	4	4		K	
		(A=E00156) (B=E00156) (C=E00156) (D=E00156) (E=E00156)									
4	2	129470-51040	CAMSHAFT	1	1	1	1	1			
5	2	122710-51050	BEARING, ROLLER	2	2	2	2	2			
6	2	129470-51060	RETAINER	1	1	1	1	1			

Remarks
(1) BOOST COMPEMSATOR TYPE. OPTIONAL PART, TO E00155,(4JH-DT, 4JH-DTZ

### ① Ref. No.

The Ref. No. listed may not be in accordance with the illustration Ref. No.

(Ex.) Illustration No.

List Ref No.

1 1 (Before change) → 1-1 (After change)

For interchangeable symbols N, R and K, illustrations for new parts may be abbreviated.

### ② Lev. (Level)

Level indication

The numbers below indicate the level of relativity towards the main part.

1 ---- Main parts (Assembly parts)

2 ---- Sub component included in " 1 ".

3 ---- Sub component included in " 2 ".

Note) Parts that are not for sale are partially illustrated but not listed.

### ③ Interchangeability Mark

When a part change takes place, one of the following interchangeability symbols is indicated beside the part.

Symbol	Interchangeability	Contents note
N	Old $\begin{matrix} \leftarrow \text{Yes} \\ \text{No} \rightarrow \end{matrix}$ New	New Part is interchangeable for Old Part but Old Part is not interchangeable for New Part.
Q	Old $\begin{matrix} \leftarrow \text{No} \\ \text{Yes} \rightarrow \end{matrix}$ New	New Part is not interchangeable for Old Part but Old Part is interchangeable for New Part.
R	Old $\begin{matrix} \leftarrow \text{Yes} \\ \text{Yes} \rightarrow \end{matrix}$ New	New/ Old Parts are both interchangeable.
S	Old $\begin{matrix} \leftarrow \text{No} \\ \text{No} \rightarrow \end{matrix}$ New	New/ Old Parts are both not interchangeable.
W		Part newly added.
Z		Part discontinued.
F		Not interchangeable by a single part but interchangeable together with related parts.
K		Changes only for used parts quantities.

### ④ Effective Machine No.

When a part changes, the effective Machine No. will be indicated in the (A)-(F) column.

Product Symbol	Product No.	Product Symbol	Product No.
C	Clutch No. Compressor No.	F	Machine No. (Agricultural Equip.)
D	Drive No.	M	Machine No.
E	Engine No.		

Note 1) A date may follow the symbol. (Ex.) 1996.01

Note 2) "XXXXX" and "ZZZZZ" are for parts that could not be predicted or for engine models that could not be identified.

Note 3) (A=E00185) is the E (Engine Serial Number) for the column (A) model (in this case 4JH-DT) after the parts design change.

### ⑤ Remarks Mark

Figures or alphabets (symbols) are entered in the remarks column.

The comments (remarks) on parts that are indicated at the bottom of the illustration are the same symbols as those stated above.

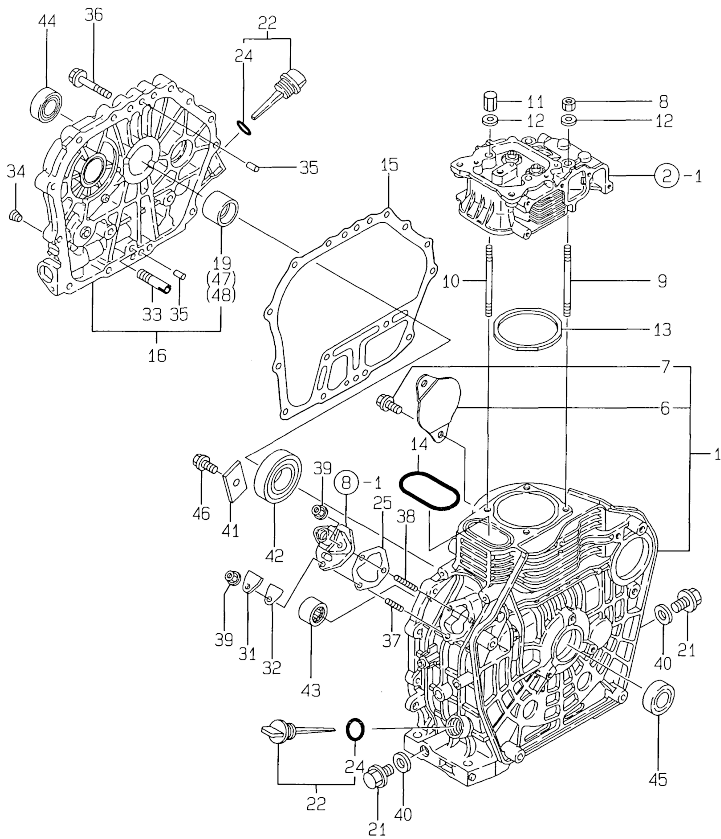
## Contents

Fig. No.	Fig. Name	Fig. No.	Fig. Name
L100AE-D			
1.	CYLINDER BLOCK		
2.	CYLINDER HEAD & BONNET		
3.	AIR CLEANER		
4.	MUFFLER		
5.	CRANKSHAFT,PISTON & CAMSHAFT		
6.	LUB.OIL PUMP & GOVERNOR		
7.	COOLING & STARTING DEVICE		
8.	FUEL INJECTION PUMP		
9.	FUEL TANK & FUEL LINE		
10.	TOOL,LABEL & GASKET SET		

OCV10-M70200

Fig.1. CYLINDER BLOCK

1. CYLINDER BLOCK



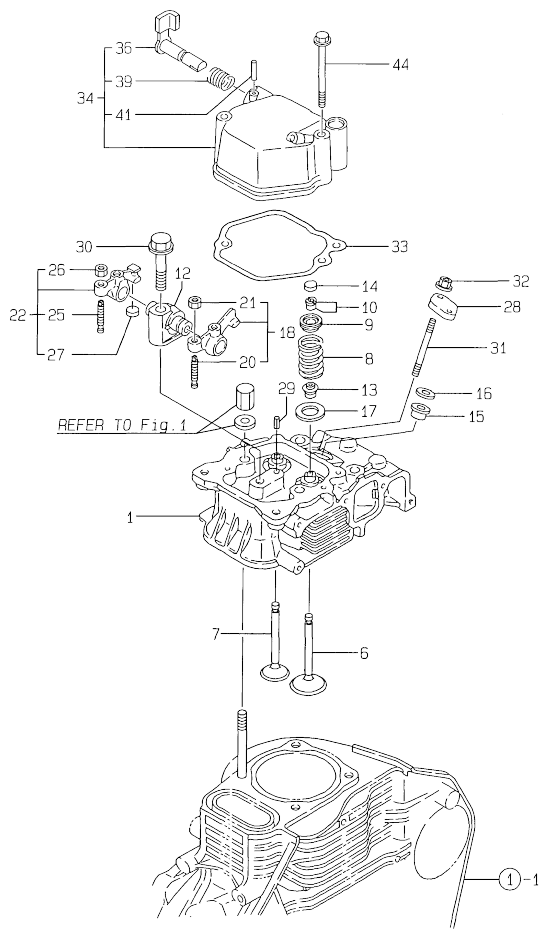
No.	Lev.	Parts No.	Description	Q'ty						I	R
				(A)	(B)	(C)	(D)	(E)	(F)		
1	1	714970-01560	BLOCK ASSY, CYLINDER	1							
6	2	114350-01700	COVER	1							
7	2	26106-100122	BOLT, M10X 12 PLATED	2							
8	1	105025-01220	NUT, CYLINDER HEAD	2							
9	1	114650-01230	BOLT, HEAD	2							
10	1	114650-01240	BOLT, HEAD	2							
11	1	114650-01250	NUT, CYLINDER HEAD	2							
12	1	114650-01260	WASHER	4							
13	1	114970-01340	GASKET, HEAD	1							
14	1	114650-01380	O-RING	1							
15	1	114650-01412	GASKET, CRANK CASE	1							
16	1	114660-01471	COVER, CRANK CASE	1							
19	2	114650-02100	BEARING, MAIN	1							1
21	1	105425-01690	PLUG, 16	2							
22	1	114699-01760	CAP ASSY	2							
24	2	114299-01950	O-RING, 18	2							
25	1	114250-01800	SHIM SET	1							
31	1	114250-01830	COVER	1							
32	1	114250-01841	GASKET	1							
33	1	114250-35150	PIPE, OIL INLET	1							
34	1	23876-010000	PLUG, R01	1							
35	1	114270-01600	PIN, M8X12	2							
36	1	26106-080352	BOLT, M8X 35 PLATED	16							
37	1	26226-060182	STUD, M6X 18	1							
38	1	26226-060222	STUD, M6X 22	2							
39	1	26366-060002	NUT, M6	3							
40	1	22190-160002	WASHER, SEAL 16	2							
41	1	114299-02030	RETAINER, BEARING	1							
42	1	114650-02150	BEARING, HR6308G3C3	1							
43	1	24162-152112	BEARING, 152112	1							
44	1	24423-355008	SEAL, OIL TC355008	1							
45	1	24423-355008	SEAL, OIL TC355008	1							
46	1	26106-080122	BOLT, M8X 12 PLATED	1							
47	1	114650-02200	BEARING, 0.25 US	1							2
48	1	114650-02210	BEARING, 0.50 US	1							2

Remarks  
 (1) REPAIR PART.  
 (2) UNDER-SIZED PART.

N:Old  $\frac{100}{100}$  New, Q:Old  $\frac{100}{100}$  New, R:Old  $\frac{100}{100}$  New, S:Old  $\frac{100}{100}$  New, W:Add, Z:Discontinued, F:Interchangeable by set, K:Qty Change  
 Copyright (C) YANMAR CO., LTD. All Rights Reserved.

Fig.2. CYLINDER HEAD & BONNET

2. CYLINDER HEAD & BONNET



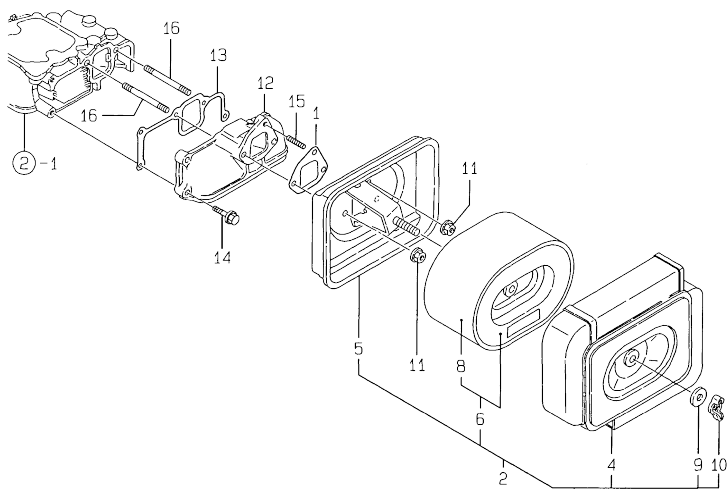
No.	Lev.	Parts No.	Description	Q'ty						I	R
				(A)	(B)	(C)	(D)	(E)	(F)		
1	1	114650-11011	HEAD ASSY, CYLINDER	1							
6	1	114650-11100	VALVE, INTAKE	1							
7	1	114654-11110	VALVE, EXHAUST	1							
8	1	114650-11121	SPRING, VALVE	2							
9	1	119620-11180	RETAINER, SPRING	2							
10	1	27310-070001	COTTER, 7	2							
12	1	114650-11261	SUPPORT, ROCKER ARM	1							
13	1	114650-11340	SEAL, VALVE STEM	2							
14	1	104211-11370	CAP, VALVE	1							
15	1	114250-11460	GASKET, NOZZLE	1							
16	1	114350-11470	SPACER, NOZZLE	1							
17	1	114650-11600	WASHER	2							
18	1	114650-11652	ARM, ROCKER	1							
20	2	114250-11240	SCREW, VALVE ADJUST	1							
21	2	26856-060002	NUT, M6	1							
22	1	714670-11660	ARM ASSY, ROCKER	1							
25	2	114250-11240	SCREW, VALVE ADJUST	1							
26	2	26856-060002	NUT, M6	1							
27	2	104211-11370	CAP, VALVE	1							
28	1	114250-11901	RETAINER, NOZZLE	1							
29	1	22351-040008	PIN, SPRING 4.0X 8	1							
30	1	26106-100552	BOLT, M10X 55 PLATED	1							
31	1	26226-060502	STUD, M6X 50	2							
32	1	26366-060002	NUT, M6	2							
33	1	114650-11311	GASKET, BONNET	1							
34	1	114650-11951	BONNET ASSY, HEAD	1							
36	2	114250-03591	LEVER ASSY	1							
39	2	114250-03640	SPRING, DECOMPRESSION	1							
41	2	22312-030160	PIN, PARALLEL M3X16	1							
44	1	26106-060702	BOLT, M6X 70 PLATED	2							

N:Old  $\frac{New}{Old}$  New, Q:Old  $\frac{New}{Old}$  New, R:Old  $\frac{New}{Old}$  New, S:Old  $\frac{New}{Old}$  New, W:Add, Z:Discontinued, F:Interchangeable by set, K:Q'ty Change  
 Copyright (C) YANMAR CO., LTD. All Rights Reserved.

OCV10-M70200

Fig.3. AIR CLEANER

3. AIR CLEANER



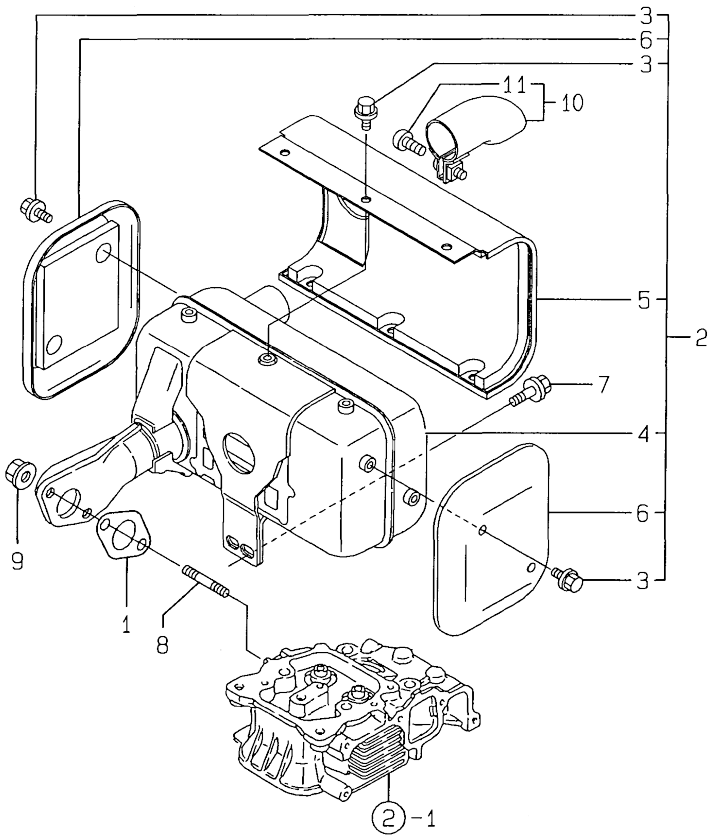
No.	Lev.	Parts No.	Description	Q'ty						I	R
				(A)	(B)	(C)	(D)	(E)	(F)		
1	1	114650-12211	GASKET, AIR CLEANER	1							
2	1	714650-12560	CLEANER ASSY, AIR	1							
4	2	114650-12520	COVER, AIR CLEANER	1							
5	2	114650-12530	CASE ASSY, CLEANER	1							
6	2	114650-12590	ELEMENT ASSY	1							
8	3	114650-12550	FILTER, PRE	1							
9	2	114252-12560	WASHER, SEAL M8	1							
10	2	114252-12550	NUT, WING M8	1							
11	1	114250-12300	NUT	3							
12	1	114699-12020	PIPE, AIR INTAKE	1							
13	1	114650-12301	GASKET	1							
14	1	26106-060252	BOLT, M6X 25 PLATED	3							
15	1	26226-060142	STUD, M6X 14	1							
16	1	26226-060752	STUD, M6X 75	2							

N:Old  $\frac{100}{100}$  New, Q:Old  $\frac{100}{100}$  New, R:Old  $\frac{100}{100}$  New, S:Old  $\frac{100}{100}$  New, W:Add, Z:Discontinued, F:Interchangeable by set, K:Q'ty Change  
 Copyright (C) YANMAR CO., LTD. All Rights Reserved.

OCV10-M70200

Fig.4. MUFFLER

4. MUFFLER



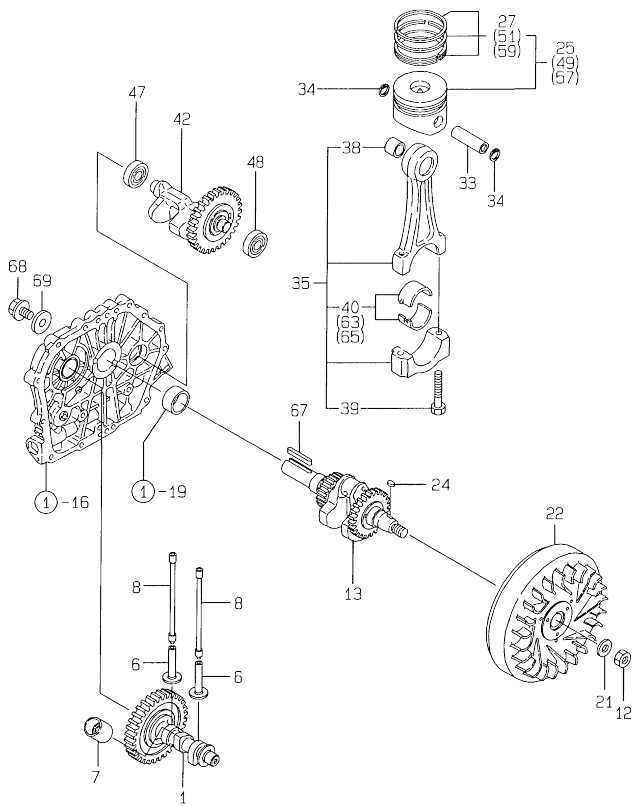
No.	Lev.	Parts No.	Description	Q'ty						I	R
				(A)	(B)	(C)	(D)	(E)	(F)		
1	1	114650-13201	GASKET, MUFFLER	1							
2	1	114970-13550	MUFFLER ASSY	1							
3	2	160260-01580	BOLT, FLANGE M6X6	10							
4	2	114970-13560	MUFFLER	1							
5	2	114970-13700	COVER	1							
6	2	114970-13710	COVER	2							
7	1	26106-080182	BOLT, M8X 18 PLATED	2							
8	1	26216-080182	STUD, M8X 18	2							
9	1	26366-080002	NUT, M8	2							
10	1	114658-13800	PIPE	1							
11	2	26554-060182	SCREW, M6X18	1							

N:Old  $\frac{100}{100}$  New, Q:Old  $\frac{100}{100}$  New, R:Old  $\frac{100}{100}$  New, S:Old  $\frac{100}{100}$  New, W:Add, Z:Discontinued, F:Interchangeable by set, K:Qty Change  
 Copyright (C) YANMAR CO., LTD. All Rights Reserved.



Fig.5. CRANKSHAFT,PISTON & CAMSHAFT

5.CRANKSHAFT, PISTON & CAMSHAFT

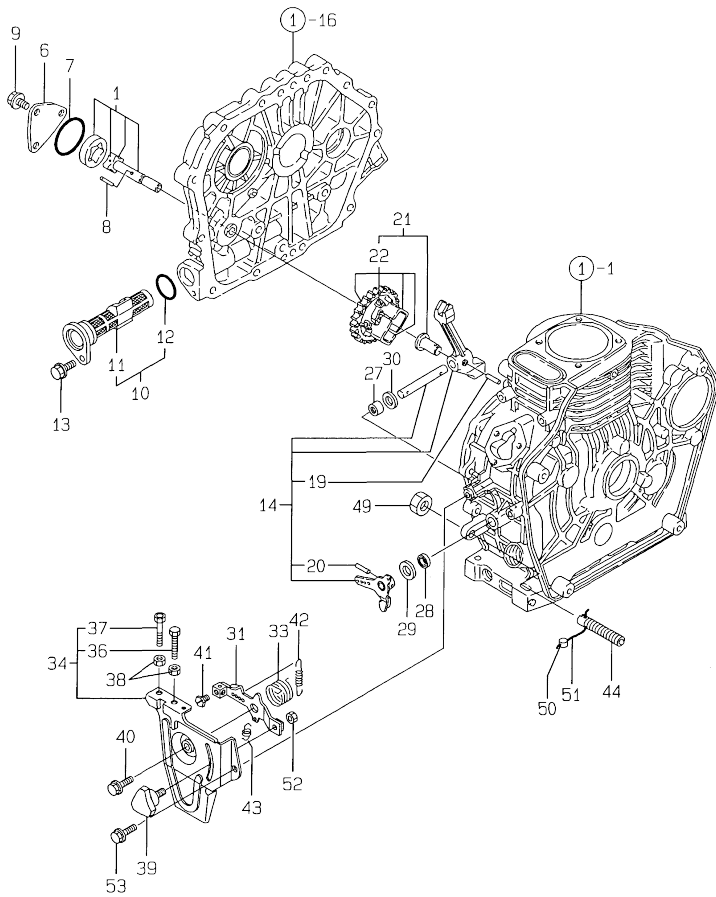


- Remarks  
 (1) OVER-SIZED(O.S=0.25)PARTS.  
 (2) OVER-SIZED(O.S=0.50)PARTS.  
 (3) UNDER-SIZED(U.S=0.25)PARTS.  
 (4) UNDER-SIZED(U.S=0.50)PARTS.

No.	Lev.	Parts No.	Description	Q'ty						I	R
				(A)	(B)	(C)	(D)	(E)	(F)		
1	1	714689-14580	CAMSHAFT ASSY	1							
6	1	114650-14200	TAPPET	2							
7	1	114771-14260	TAPPET	1							
8	1	114650-14401	ROD ASSY, PUSH	2							
12	1	122710-01220	NUT, CYLINDER HEAD	1							
13	1	714668-21700	CRANKSHAFT ASSY	1							
21	1	114650-21551	WASHER	1							
22	1	114660-21402	FLYWHEEL	1							
24	1	22512-050140	KEY, 5X 14	1							
25	1	714980-22720	PISTON ASSY, D	1							
27	2	714970-22500	RING SET, PISTON	1							
33	1	114699-22300	PIN, PISTON D=23	1							
34	1	129792-22400	CIRCLIP, 23	2							
35	1	714650-23700	ROD ASSY, CONNECTING	1							
38	2	124060-23100	BEARING, PISTON PIN	1							
39	2	105300-23200	BOLT, CONNECTING ROD	2							
40	2	714650-23600	BEARING, CRANK PIN	1							
42	1	714970-28511	SHAFT ASSY, BALANCER	1							
47	1	24101-062034	BEARING, BALL 6203	1							
48	1	24101-063034	BEARING, BALL 6303	1							
49	1	714980-22620	PISTON ASSY, 0.25 OS	1							1
51	2	714970-22540	RING SET, 0.25 OS	1							1
57	1	714980-22580	PISTON ASSY, 0.50 OS	1							2
59	2	714970-22550	RING SET, 0.50 OS	1							2
63	1	714650-23610	BEARING ASSY, 0.25	1							3
65	1	714650-23620	BEARING, 0.50 US	1							4
67	1	160842-21150	KEY, 6.3X50	1							
68	1	160842-21250	BOLT, 7/16-20UNF	1							
69	1	160842-21260	WASHER	1							

Fig.6. LUB.OIL PUMP & GOVERNOR

6.LUB.OIL PUMP & GOVERNOR

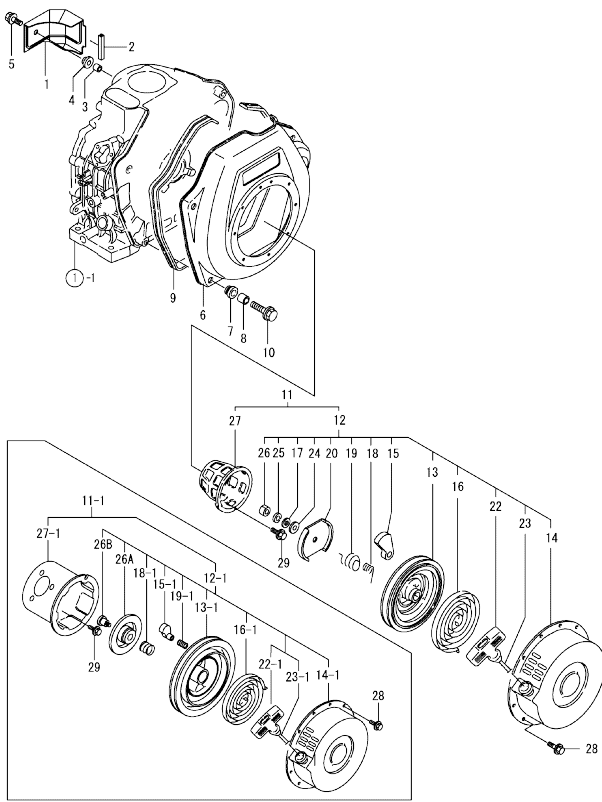


No.	Lev.	Parts No.	Description	Q'ty						I	R
				(A)	(B)	(C)	(D)	(E)	(F)		
1	1	114650-32010	PUMP ASSY, OIL	1							
6	1	114250-32070	COVER	1							
7	1	103338-32570	O-RING	1							
8	1	22312-030160	PIN, PARALLEL M3X16	1							
9	1	26476-060142	SCREW, TAPPING M6X14	3							
10	1	114250-35110	FILTER ASSY, OIL	1							
11	2	114250-35070	FILTER, OIL	1							
12	2	24341-000224	O-RING, 1AS22.4	1							
13	1	26106-060162	BOLT, M6X 16 PLATED	1							
14	1	714650-61500	LEVER ASSY, GOVERNOR	1							
19	2	22322-030200	PIN, TAPER 3X20	1							
20	2	22322-030200	PIN, TAPER 3X20	1							
21	1	714685-61700	GOVERNOR ASSY	1							
22	2	114685-61210	WEIGHT ASSY, GOVERNOR	1							
27	1	114770-61520	BEARING, NEEDLE	2							
28	1	114770-61600	SEAL, OIL	1							
29	1	114770-61610	WASHER, THRUST	1							
30	1	114770-61190	WASHER	1							
31	1	114250-66050	HANDLE, REGULATOR	1							
33	1	114252-66252	SPRING, RETURN	1							
34	1	114268-66500	BRACKET ASSY, HANDLE	1							
36	2	114250-66440	BOLT, ADJUSTING	1							
37	2	102100-67080	BOLT, ADJUSTING	1							
38	1	26757-060002	NUT, LOCK M6	2							
39	1	160725-78350	KNOB	1							
40	1	26106-060202	BOLT, M6X 20 PLATED	1							
41	1	26117-040088	BOLT M 4X 8 PLATED	1							
42	1	114970-66010	SPRING, REGULATOR	1							
43	1	114250-66200	SPRING, RETURN	1							
44	1	114650-66500	LIMITER ASSY, FUEL	1							
49	1	26696-100002	NUT, LOCK M10	1							
50	1	135210-61090	LEAD	2							
51	1	22451-060000	WIRE, 0.6	2							
52	1	26347-060002	NUT, M6	1							
53	1	26476-060142	SCREW, TAPPING M6X14	1							

N:Old  $\frac{New}{Old}$  New, Q:Old  $\frac{New}{Old}$  New, R:Old  $\frac{New}{Old}$  New, S:Old  $\frac{New}{Old}$  New, W:Add, Z:Discontinued, F:Interchangeable by set, K:Q'ty Change  
 Copyright (C) YANMAR CO., LTD. All Rights Reserved.

Fig.7. COOLING & STARTING DEVICE

7. COOLING & STARTING DEVICE



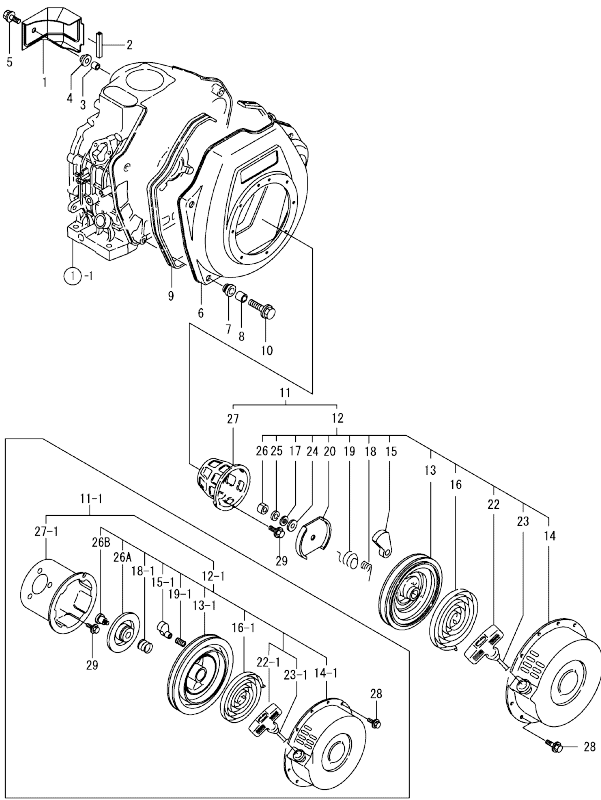
No.	Lev.	Parts No.	Description	Qty						I	R
				(A)	(B)	(C)	(D)	(E)	(F)		
1	1	114650-45201	COVER	1							
2	1	114350-45320	RUBBER, SEAL	1							
3	1	114350-45340	COLLAR	1							
4	1	183720-55210	GROMMET	1							
5	1	26106-060202	BOLT, M6X 20 PLATED	1							
6	1	114668-45102	CASE, COOLING FAN	1							
7	1	114250-45301	ABSORBER	4							
8	1	114250-45310	COLLAR	4							
9	1	114650-45330	SEAL, FAN CASE L=950	1							
10	1	114370-45351	BOLT	4							
11	1	114660-76051	STARTER ASSY, RECOIL	1							
11-1	1	114660-76052	STARTER ASSY, RECOIL	1							R 1
(A=EZZZZZ)											
12	2	114660-76250	STARTER ASSY, RECOIL	1							
12-1	2	114660-76251	STARTER ASSY, RECOIL	1							S
(A=EZZZZZ)											
13	3	114650-76520	REEL	1							
13-1	3	114880-76520	REEL	1							S
(A=EZZZZZ)											
14	3	114660-76530	CASE, STARTER	1							
14-1	3	114660-76531	CASE, STARTER	1							S
(A=EZZZZZ)											
15	3	160910-76530	RATCHET	1							
15-1	3	114870-76530	RATCHET	2							S
(A=EZZZZZ)											
16	3	114650-76540	SPRING, SPIRAL	1							
16-1	3	114870-76540	SPRING, SPIRAL	1							S
(A=EZZZZZ)											
17	3	160910-76550	WASHER, THRUST	1							Z
(A=EZZZZZ)											
18	3	160910-76560	SPRING, FRICTION	1							
18-1	3	114870-76560	SPRING, FRICTION	1							S
(A=EZZZZZ)											
19	3	160910-76570	SPRING, RETURN	1							
19-1	3	114870-76570	SPRING, RETURN	2							S
(A=EZZZZZ)											
20	3	160910-76580	PLATE, FRICTION	1							Z
(A=EZZZZZ)											
22	3	160910-76620	KNOB, STARTER	1							
22-1	4	114870-76620	KNOB, STARTER	1							S
(A=EZZZZZ)											
23	3	160910-76630	ROPE, STARTER	1							
23-1	4	114650-76631	ROPE, STARTER	1							S
(A=EZZZZZ)											
24	3	160910-76650	WASHER, THRUST	1							Z
(A=EZZZZZ)											
25	3	22217-060000	WASHER, SPRING 6	1							Z
(A=EZZZZZ)											
26	3	26717-060002	NUT, M6	1							Z
(A=EZZZZZ)											
26A	3	114880-76550	GUIDE, RATCHET	1							W

Remarks

(1) Interchangeable by simultaneous replacement with Ref.12-1 and Ref.27-1.

Fig.7. COOLING & STARTING DEVICE

7. COOLING & STARTING DEVICE



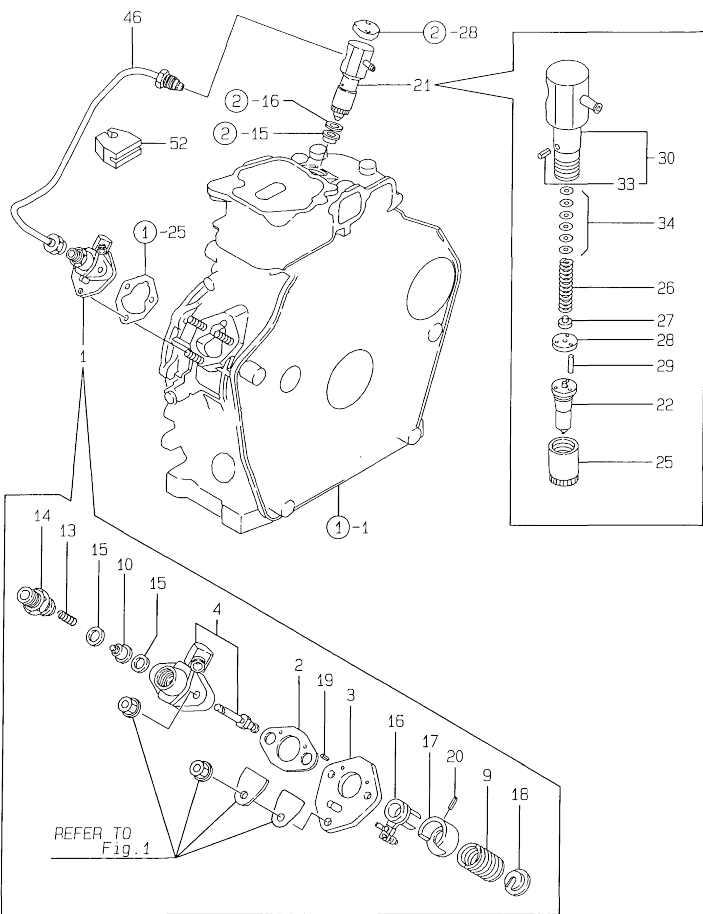
Remarks  
 (1) Interchangeable by simultaneous replacement with Ref.12-1 and Ref.27-1.

No.	Lev.	Parts No.	Description	Q'ty						I	R	
				(A)	(B)	(C)	(D)	(E)	(F)			
		(A=EZZZZZ)										
26B	3	114870-76580	SCREW	1								W
		(A=EZZZZZ)										
27	2	114660-76591	PULLEY, STARTER	1								S
27-1	2	114660-76592	PULLEY, STARTER	1								
		(A=EZZZZZ)										
28	1	26106-060082	BOLT, M6X 8 PLATED	4								
29	1	26106-060122	BOLT, M6X 12 PLATED	3								

N:Old, <sup>Y100</sup>/<sub>100</sub> New, Q:Old, <sup>HE</sup>/<sub>VCC</sub> New, R:Old, <sup>Y100</sup>/<sub>100</sub> New, S:Old, <sup>HE</sup>/<sub>VCC</sub> New, W:Add, Z:Discontinued, F:Interchangeable by set, K:Q'ty Change  
 Copyright (C) YANMAR CO., LTD. All Rights Reserved.

Fig.8. FUEL INJECTION PUMP

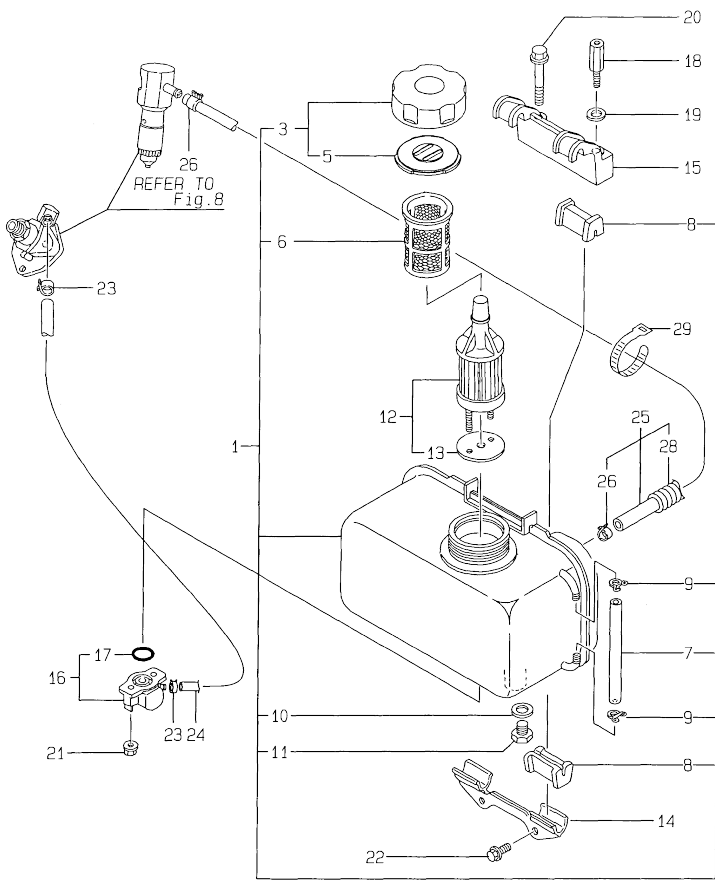
8.FUEL INJECTION PUMP



No.	Lev.	Parts No.	Description	Q'ty						I	R
				(A)	(B)	(C)	(D)	(E)	(F)		
1	1	714970-51700	PUMP ASSY, INJECTION	1							
2	2	105546-51020	GASKET	1							
3	2	114250-51080	PLATE	1							
4	2	114970-51100	BODY ASSY, PUMP	1							
9	2	114250-51160	SPRING, PLUNGER	1							
10	2	114650-51300	VALVE ASSY, DELIVERY	1							
13	2	105546-51330	SPRING, DELIVERY	1							
14	2	114250-51340	HOLDER, DELIVERY	1							
15	2	124550-51350	GASKET, DELIVERY	2							
16	2	114250-51600	LEVER ASSY, CONTROL	1							
17	2	114250-51640	SEAT, SPRING A	1							
18	2	114250-51650	SEAT, SPRING B	1							
19	2	22351-020006	PIN, SPRING 2.0X 6	2							
20	2	22351-030008	PIN, SPRING 3.0X 8	1							
21	1	714650-53100	VALVE ASSY, INJECTION	1							
22	2	114650-53000	VALVE ASSY, INJECTION	1							
25	2	114250-53080	NUT, NOZZLE D16.95	1							
26	2	114250-53120	SPRING, NOZZLE	1							
27	2	114250-53130	SEAT, SPRING	1							
28	2	114250-53140	PLATE	1							
29	2	114250-53210	PIN	2							
30	2	114650-53300	HOLDER ASSY, NOZZLE	1							
33	3	114250-53331	PIN	1							
34	2	114250-53400	SHIM SET	1							
46	1	114650-59800	PIPE ASSY, INJECTION	1							
52	1	114650-59850	SUPPORT	1							

Fig.9. FUEL TANK & FUEL LINE

9.FUEL TANK & FUEL LINE

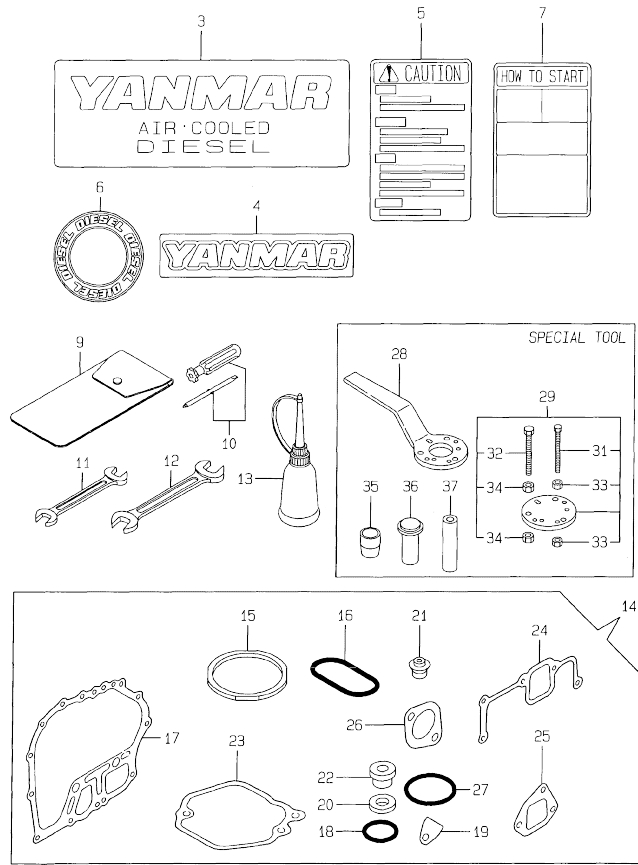


No.	Lev.	Parts No.	Description	Q'ty						I	R
				(A)	(B)	(C)	(D)	(E)	(F)		
1	1	714569-77501	TANK ASSY, FUEL	1							
3	2	114288-55040	CAP ASSY	1							
5	3	114288-55080	VALVE	1							
6	2	114250-55100	FILTER, FUEL	1							
7	2	114650-55150	GAUGE, LEVEL	1							
8	2	114250-55201	DAMPER, FUEL TANK	4							
9	2	103854-55220	RETAINER	2							
10	2	23414-080000	GASKET, 8X1.0	1							
11	2	105300-55080	PLUG, 8	1							
12	1	114250-55121	FILTER ASSY, FUEL	1							
13	2	114250-55130	GASKET	1							
14	1	114299-55210	STAY, FUEL TANK	1							
15	1	114699-55230	STAY, FUEL TANK	1							
16	1	114250-55300	COCK ASSY, FUEL	1							
17	2	24341-000150	O-RING, 1AS15.0	1							
18	1	114650-55810	BOLT	1							
19	1	22117-080000	WASHER, 8	1							
20	1	26106-080452	BOLT, M8X 45 PLATED	1							
21	1	26366-060002	NUT, M6	2							
22	1	26476-060142	SCREW, TAPPING M6X14	2							
23	1	106990-44660	CLIP, HOSE 12.5	2							
24	1	114250-59051	PIPE, FUEL L=46	1							
25	1	114652-59300	PIPE, FUEL RETURN	1							
26	2	124722-59050	CLIP, HOSE 9	2							
28	2	114652-59310	TUBE, PROTECT	1							
29	2	121750-59890	BAND, 140	1							

N:Old  $\frac{New}{Old}$  New, Q:Old  $\frac{New}{Old}$  New, R:Old  $\frac{New}{Old}$  New, S:Old  $\frac{New}{Old}$  New, W:Add, Z:Discontinued, F:Interchangeable by set, K:Q'ty Change  
 Copyright (C) YANMAR CO., LTD. All Rights Reserved.

Fig.10. TOOL,LABEL & GASKET SET

10. TOOL, LABEL & GASKET SET



No.	Lev.	Parts No.	Description	Q'ty						I	R
				(A)	(B)	(C)	(D)	(E)	(F)		
3	1	114250-07090	LABEL, AIR COOLED	1							
4	1	114250-07111	LABEL, YANMAR	1							
5	1	114268-07240	LABEL, CAUTION	1							
6	1	114261-07350	LABEL	1							
7	1	114268-07350	LABEL, HOW TO START	1							
9	1	114250-92600	BAG, TOOL	1							
10	1	160330-92730	DRIVE, SCREW	1							
11	1	28110-100120	SPANNER, 10X12	1							
12	1	28110-140170	SPANNER, 14X17	1							
13	1	28210-000150	OILER	1							
14	1	714989-92601	GASKET SET	1							1
15	2	114970-01340	GASKET, HEAD	1							
16	2	114650-01380	O-RING	1							
17	2	114650-01412	GASKET, CRANK CASE	1							
18	2	114299-01950	O-RING, 18	2							
19	2	114250-01841	GASKET	1							
20	2	22190-160002	WASHER, SEAL 16	2							
21	2	114650-11340	SEAL, VALVE STEM	2							
22	2	114250-11460	GASKET, NOZZLE	1							
23	2	114650-11311	GASKET, BONNET	1							
24	2	114650-12301	GASKET	1							
25	2	114650-12211	GASKET, AIR CLEANER	1							
26	2	114650-13201	GASKET, MUFFLER	1							
27	2	103338-32570	O-RING	1							
28	1	114250-92101	F.W. LOCKING HANDLE	1							1
29	1	114250-92130	REMOVER, FLYWHEEL	1							1
31	2	26116-060454	BOLT M 6X 45 PLATED	4							1
32	2	26116-080454	BOLT, M8X 45 PLATED	3							1
33	2	26716-060002	NUT, M6	8							1
34	2	26716-080002	NUT, M8	6							1
35	1	114668-92300	GUIDE, OIL SEAL	1							1
36	1	114650-92310	INSTALLING TOOL	1							1
37	1	114650-92350	INSTALLING TOOL	1							1

Remarks  
(1) OPTIONAL PARTS.

N:Old  $\frac{100}{100}$  New, Q:Old  $\frac{100}{100}$  New, R:Old  $\frac{100}{100}$  New, S:Old  $\frac{100}{100}$  New, W:Add, Z:Discontinued, F:Interchangeable by set, K:Qty Change  
Copyright (C) YANMAR CO., LTD. All Rights Reserved.

## Parts No. Index

Parts No.	Fig. No.	Ref. No.	Parts No.	Fig. No.	Ref. No.	Parts No.	Fig. No.	Ref. No.	Parts No.	Fig. No.	Ref. No.
102100-67080	6	37	114250-55300	9	16	114650-12211	3	1	114770-61190	6	30
103338-32570	6	7	114250-59051	9	24		10	25	114770-61520	6	27
	10	27	114250-66050	6	31	114650-12301	3	13	114770-61600	6	28
103854-55220	9	9	114250-66200	6	43		10	24	114770-61610	6	29
104211-11370	2	14	114250-66440	6	36	114650-12520	3	4	114771-14260	5	7
	1	27	114250-92101	10	28	114650-12530	3	5	114870-76530	7	15 -1
105025-01220	1	8	114250-92130	10	29	114650-12550	3	8	114870-76540	7	16 -1
105300-23200	5	39	114250-92600	10	9	114650-12590	3	6	114870-76560	7	18 -1
105300-55080	9	11	114252-12550	3	10	114650-13201	4	1	114870-76570	7	19 -1
105425-01690	1	21	114252-12560	3	9		10	26	114870-76580	7	26 B
105546-51020	8	2	114252-66252	6	33	114650-14200	5	6	114870-76620	7	22 -1
105546-51330	8	13	114261-07350	10	6	114650-14401	5	8	114880-76520	7	13 -1
106990-44660	9	23	114268-07240	10	5	114650-21551	5	21	114880-76550	7	26 A
114250-01800	1	25	114268-07350	10	7	114650-32010	6	1	114970-01340	1	13
114250-01830	1	31	114268-66500	6	34	114650-45201	7	1		10	15
114250-01841	1	32	114270-01600	1	35	114650-45330	7	9	114970-13550	4	2
	10	19	114288-55040	9	3	114650-51300	8	10	114970-13560	4	4
114250-03591	2	36	114288-55080	9	5	114650-53000	8	22	114970-13700	4	5
114250-03640	2	39	114299-01950	1	24	114650-53300	8	30	114970-13710	4	6
114250-07090	10	3		10	18	114650-55150	9	7	114970-51100	8	4
114250-07111	10	4	114299-02030	1	41	114650-55810	9	18	114970-66010	6	42
114250-11240	2	20	114299-55210	9	14	114650-59800	8	46	119620-11180	2	9
		25	114350-01700	1	6	114650-59850	8	52	121750-59890	9	29
114250-11460	2	15	114350-11470	2	16	114650-66500	6	44	122710-01220	5	12
	10	22	114350-45320	7	2	114650-76520	7	13	124060-23100	5	38
114250-11901	2	28	114350-45340	7	3	114650-76540	7	16	124550-51350	8	15
114250-12300	3	11	114370-45351	7	10	114650-76631	7	23 -1	124722-59050	9	26
114250-32070	6	6	114650-01230	1	9	114650-92310	10	36	129792-22400	5	34
114250-35070	6	11	114650-01240	1	10	114650-92350	10	37	135210-61090	6	50
114250-35110	6	10	114650-01250	1	11	114652-59300	9	25	160260-01580	4	3
114250-35150	1	33	114650-01260	1	12	114652-59310	9	28	160330-92730	10	10
114250-45301	7	7	114650-01380	1	14	114654-11110	2	7	160725-78350	6	39
114250-45310	7	8		10	16	114658-13800	4	10	160842-21150	5	67
114250-51080	8	3	114650-01412	1	15	114660-01471	1	16	160842-21250	5	68
114250-51160	8	9		10	17	114660-21402	5	22	160842-21260	5	69
114250-51340	8	14	114650-02100	1	19	114660-76051	7	11	160910-76530	7	15
114250-51600	8	16	114650-02150	1	42	114660-76052	7	11 -1	160910-76550	7	17
114250-51640	8	17	114650-02200	1	47	114660-76250	7	12	160910-76560	7	18
114250-51650	8	18	114650-02210	1	48	114660-76251	7	12 -1	160910-76570	7	19
114250-53080	8	25	114650-11011	2	1	114660-76530	7	14	160910-76580	7	20
114250-53120	8	26	114650-11100	2	6	114660-76531	7	14 -1	160910-76620	7	22
114250-53130	8	27	114650-11121	2	8	114660-76591	7	27	160910-76630	7	23
114250-53140	8	28	114650-11261	2	12	114660-76592	7	27 -1	160910-76650	7	24
114250-53210	8	29	114650-11311	2	33	114668-45102	7	6	183720-55210	7	4
114250-53331	8	33		10	23	114668-92300	10	35	22117-080000	9	19
114250-53400	8	34	114650-11340	2	13	114685-61210	6	22	22190-160002	1	40
114250-55100	9	6		10	21	114699-01760	1	22		10	20
114250-55121	9	12	114650-11600	2	17	114699-12020	3	12	22217-060000	7	25
114250-55130	9	13	114650-11652	2	18	114699-22300	5	33	22312-030160	2	41
114250-55201	9	8	114650-11951	2	34	114699-55230	9	15		6	8



## Parts No. Index

Parts No.	Fig. No.	Ref. No.
22322-030200	6	19
		20
22351-020006	8	19
22351-030008	8	20
22351-040008	2	29
22451-060000	6	51
22512-050140	5	24
23414-080000	9	10
23876-010000	1	34
24101-062034	5	47
24101-063034	5	48
24162-152112	1	43
24341-000150	9	17
24341-000224	6	12
24423-355008	1	44
		45
26106-060082	7	28
26106-060122	7	29
26106-060162	6	13
26106-060202	6	40
	7	5
26106-060252	3	14
26106-060702	2	44
26106-080122	1	46
26106-080182	4	7
26106-080352	1	36
26106-080452	9	20
26106-100122	1	7
26106-100552	2	30
26116-060454	10	31
26116-080454	10	32
26117-040088	6	41
26216-080182	4	8
26226-060142	3	15
26226-060182	1	37
26226-060222	1	38
26226-060502	2	31
26226-060752	3	16
26347-060002	6	52
26366-060002	1	39
	2	32
	9	21
26366-080002	4	9
26476-060142	6	9
		53
	9	22
26554-060182	4	11
26696-100002	6	49
26716-060002	10	33
26716-080002	10	34

Parts No.	Fig. No.	Ref. No.
26717-060002	7	26
26757-060002	6	38
26856-060002	2	21
		26
27310-070001	2	10
28110-100120	10	11
28110-140170	10	12
28210-000150	10	13
714569-77501	9	1
714650-12560	3	2
714650-23600	5	40
714650-23610	5	63
714650-23620	5	65
714650-23700	5	35
714650-53100	8	21
714650-61500	6	14
714668-21700	5	13
714670-11660	2	22
714685-61700	6	21
714689-14580	5	1
714970-01560	1	1
714970-22500	5	27
714970-22540	5	51
714970-22550	5	59
714970-28511	5	42
714970-51700	8	1
714980-22580	5	57
714980-22620	5	49
714980-22720	5	25
714989-92601	10	14

Parts No.	Fig. No.	Ref. No.
-----------	----------	----------

Parts No.	Fig. No.	Ref. No.
-----------	----------	----------