

0CV10-M50000EN

# PREFACE

1.This Parts Catalog carries all parts incorporated in YANMAR Model L70AE - DEGLE & L100AE - DEGLE engines manufactured since DECEMBER, 1996.

2.Each illustration corresponds to the parts list on the following page.

3.When ordering parts, clearly write down the engine model and serial number, as well as the name and number of each part in your order sheet. This will help insure reliable delivery of the parts you have ordered.

## Directions for the Parts Catalog.

- The parts stipulated in this Parts Catalog are not necessarily standard equipped parts.
- Parts may change without prior notice.
- The following is an example of the Parts Catalog format.

REF.	LEV.	PARTS NO.	DESCRIPTION	Q'TY						I	R
				(A)	(B)	(C)	(D)	(E)	(F)		
1	1	729595-51390	FUEL INJECTION PUMP	1	1	1	1	1			1
1-1	1	729595-51391	FUEL INJECTION PUMP	1	1	1	1	1		N	1
		(A=E00185) (B=E00200)									
3	2	26022-060162	SCREW M 6X 16	9	9	9	9	9			
3-1	2	26022-060162	SCREW M 6X 16	4	4	4	4	4		K	
		(A=E00156) (B=E00156) (C=E00156) (D=E00156) (E=E00156)									
4	2	129470-51040	CAMSHAFT	1	1	1	1	1			
5	2	122710-51050	BEARING, ROLLER	2	2	2	2	2			
6	2	129470-51060	RETAINER	1	1	1	1	1			

Remarks
(1) BOOST COMPEMSATOR TYPE. OPTIONAL PART, TO E00155,(4JH-DT, 4JH-DTZ

### ① Ref. No.

The Ref. No. listed may not be in accordance with the illustration Ref. No.

(Ex.) Illustration No.

List Ref No.

1 1 (Before change) → 1-1 (After change)

For interchangeable symbols N, R and K, illustrations for new parts may be abbreviated.

### ② Lev. (Level)

Level indication

The numbers below indicate the level of relativity towards the main part.

1 ---- Main parts (Assembly parts)

2 ---- Sub component included in " 1 ".

3 ---- Sub component included in " 2 ".

Note) Parts that are not for sale are partially illustrated but not listed.

### ③ Interchangeability Mark

When a part change takes place, one of the following interchangeability symbols is indicated beside the part.

Symbol	Interchangeability	Contents note
N	Old $\begin{matrix} \leftarrow \text{Yes} \\ \text{No} \rightarrow \end{matrix}$ New	New Part is interchangeable for Old Part but Old Part is not interchangeable for New Part.
Q	Old $\begin{matrix} \leftarrow \text{No} \\ \text{Yes} \rightarrow \end{matrix}$ New	New Part is not interchangeable for Old Part but Old Part is interchangeable for New Part.
R	Old $\begin{matrix} \leftarrow \text{Yes} \\ \text{Yes} \rightarrow \end{matrix}$ New	New/ Old Parts are both interchangeable.
S	Old $\begin{matrix} \leftarrow \text{No} \\ \text{No} \rightarrow \end{matrix}$ New	New/ Old Parts are both not interchangeable.
W		Part newly added.
Z		Part discontinued.
F		Not interchangeable by a single part but interchangeable together with related parts.
K		Changes only for used parts quantities.

### ④ Effective Machine No.

When a part changes, the effective Machine No. will be indicated in the (A)-(F) column.

Product Symbol	Product No.	Product Symbol	Product No.
C	Clutch No. Compressor No.	F	Machine No. (Agricultural Equip.)
D	Drive No.	M	Machine No.
E	Engine No.		

Note 1) A date may follow the symbol. (Ex.) 1996.01

Note 2) "XXXXX" and "ZZZZZ" are for parts that could not be predicted or for engine models that could not be identified.

Note 3) (A=E00185) is the E (Engine Serial Number) for the column (A) model (in this case 4JH-DT) after the parts design change.

### ⑤ Remarks Mark

Figures or alphabets (symbols) are entered in the remarks column.

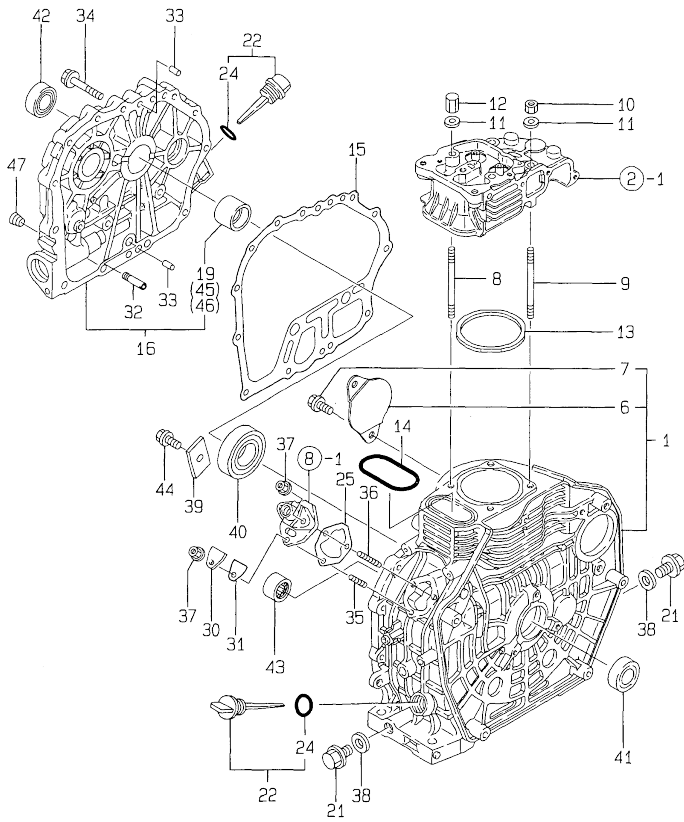
The comments (remarks) on parts that are indicated at the bottom of the illustration are the same symbols as those stated above.

## Contents

Fig. No.	Fig. Name	Fig. No.	Fig. Name
L70,100AE-DEGLE			
1.	CYLINDER BLOCK		
2.	CYLINDER HEAD & BONNET		
3.	AIR CLEANER		
4.	MUFFLER		
5.	CRANKSHAFT,PISTON & CAMSHAFT		
6.	LUB.OIL PUMP & GOVERNOR		
7.	COOLING & STARTING DEVICE		
8.	FUEL INJECTION PUMP		
9.	FUEL TANK & FUEL LINE		
10.	STARTING MOTOR		
11.	TOOL,LABEL & GASKET SET		
12.	CYLINDER BLOCK		
13.	CYLINDER HEAD & BONNET		
14.	AIR CLEANER		
15.	MUFFLER		
16.	CRANKSHAFT,PISTON & CAMSHAFT		
17.	LUB.OIL PUMP & GOVERNOR		
18.	COOLING & STARTING DEVICE		
19.	FUEL INJECTION PUMP		
20.	FUEL TANK & FUEL LINE		
21.	STARTING MOTOR		
22.	TOOL,LABEL & GASKET SET		

Fig.1. CYLINDER BLOCK

1. CYLINDER BLOCK



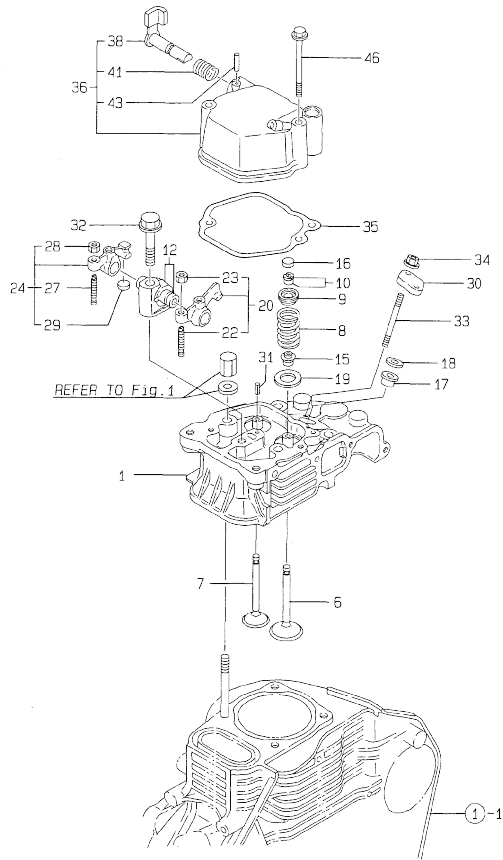
No.	Lev.	Parts No.	Description	Q'ty						I	R
				(A)	(B)	(C)	(D)	(E)	(F)		
1	1	714871-01560	BLOCK ASSY, CYLINDER	1							
6	2	114350-01700	COVER	1							
7	2	26106-100122	BOLT, M10X 12 PLATED	2							
8	1	114350-01200	BOLT, HEAD	2							
9	1	114350-01210	BOLT, HEAD	2							
10	1	114350-01220	NUT, CYLINDER HEAD	2							
11	1	105225-01240	WASHER	4							
12	1	114350-01250	NUT, CYLINDER HEAD	2							
13	1	114870-01340	GASKET, HEAD	1							G
14	1	114350-01380	O-RING	1							G
15	1	114350-01412	GASKET, CRANK CASE	1							G
16	1	114368-01453	COVER, CRANK CASE	1							
19	2	114350-02100	BEARING, MAIN	1							1
21	1	105425-01690	PLUG, 16	2							
22	1	160910-01740	CAP ASSY	2							
24	2	24311-000180	O-RING, 1AP18.0	2							G
25	1	114250-01800	SHIM SET	1							
30	1	114250-01830	COVER	1							
31	1	114250-01841	GASKET	1							G
32	1	114250-35150	PIPE, OIL INLET	1							
33	1	114270-01600	PIN, M8X12	2							
34	1	26106-080352	BOLT, M8X 35 PLATED	15							
35	1	26226-060182	STUD, M6X 18	1							
36	1	26226-060222	STUD, M6X 22	2							
37	1	26366-060002	NUT, M6	3							
38	1	22190-160002	WASHER, SEAL 16	2							G
39	1	114250-02030	RETAINER, BEARING	1							
40	1	114350-02113	BEARING, B35-135G3C3	1							
41	1	160110-02220	SEAL, OIL	1							
42	1	160110-02220	SEAL, OIL	1							
43	1	24162-152112	BEARING, 152112	1							
44	1	26106-080122	BOLT, M8X 12 PLATED	1							
45	1	114350-02200	BEARING, 0.25 US	1							2
46	1	114350-02210	BEARING, 0.50 US	1							2
47	1	23871-010000	PLUG, R01	1							

Remarks

- (1) REPAIR PART.
- (2) UNDER-SIZED PART.
- (G) THESE PARTS ARE SOLD BY FIG.11, REF.NO.14.

Fig.2. CYLINDER HEAD & BONNET

2. CYLINDER HEAD & BONNET



(A)=L70AE-DEGLE  
(B)=L100AE-DEGLE  
(C)=  
(D)=  
(E)=  
(F)=

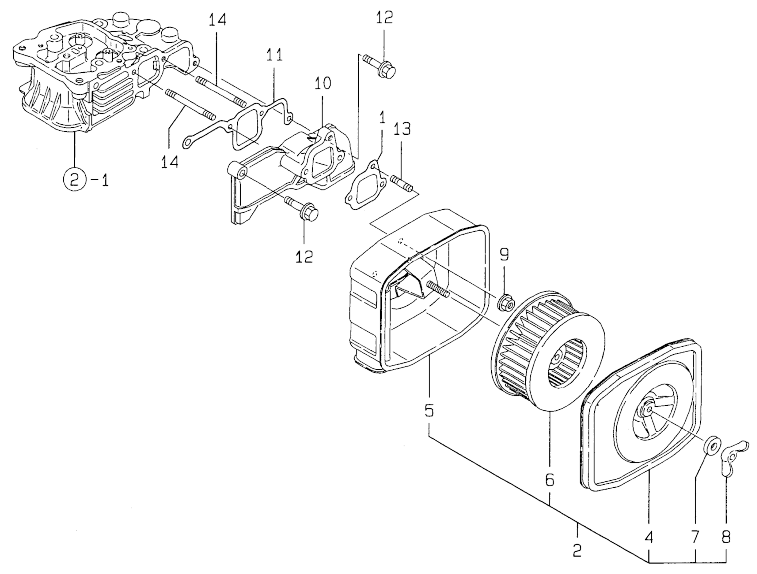
No.	Lev.	Parts No.	Description	Qty						I	R
				(A)	(B)	(C)	(D)	(E)	(F)		
1	1	114870-11021	HEAD ASSY, CYLINDER	1							
6	1	114350-11101	VALVE, INTAKE	1							
7	1	114350-11113	VALVE, EXHAUST	1							
8	1	114350-11120	SPRING, VALVE	2							
9	1	101158-11180	RETAINER, SPRING	2							
10	1	27310-060001	COTTER, 6	2							
12	1	114250-11290	SUPPORT, ROCKER ARM	1							
15	1	114350-11340	SEAL, VALVE STEM	2							G
16	1	105010-11490	CAP, VALVE	1							
17	1	114250-11460	GASKET, NOZZLE	1							G
18	1	114350-11470	SPACER, NOZZLE	1							
19	1	114250-11600	WASHER	2							
20	1	114250-11651	ARM, ROCKER	1							
22	2	114250-11240	SCREW, VALVE ADJUST	1							
23	2	26756-060002	NUT, LOCK M6	1							
24	1	714370-11660	ARM ASSY, ROCKER	1							
27	2	114250-11240	SCREW, VALVE ADJUST	1							
28	2	26756-060002	NUT, LOCK M6	1							
29	2	105010-11490	CAP, VALVE	1							
30	1	114250-11900	RETAINER, NOZZLE	1							
31	1	22351-040008	PIN, SPRING 4.0X 8	1							
32	1	26106-080452	BOLT, M8X 45 PLATED	1							
33	1	26226-060502	STUD, M6X 50	2							
34	1	26366-060002	NUT, M6	2							
35	1	114250-11311	GASKET, BONNET	1							G
36	1	114250-11951	BONNET ASSY, HEAD	1							
38	2	114250-03591	LEVER ASSY	1							
41	2	114250-03640	SPRING, DECOMPRESSION	1							
43	2	22312-030160	PIN, PARALLEL M3X16	1							
46	1	26106-060552	BOLT, M6X 55 PLATED	2							

Remarks  
(G) THESE PARTS ARE SOLD BY FIG.11,  
REF.NO.14.

OCV10-M50000

Fig.3. AIR CLEANER

3. AIR CLEANER



No.	Lev.	Parts No.	Description	Q'ty						I	R	
				(A)	(B)	(C)	(D)	(E)	(F)			
1	1	114250-12211	GASKET, AIR CLEANER	1								
2	1	714250-12560	CLEANER ASSY, AIR	1								G
4	2	114250-12520	COVER, AIR CLEANER	1								
5	2	114250-12530	CASE ASSY, CLEANER	1								
6	2	114250-12580	ELEMENT	1								
7	2	114250-12560	WASHER, SEAL M6	1								
8	2	114250-12550	NUT, WING M6	1								
9	1	26366-060002	NUT, M6	3								
10	1	114350-12011	PIPE, AIR INTAKE	1								
11	1	114350-12202	GASKET, AIR INTAKE	1								G
12	1	26106-060252	BOLT, M6X 25 PLATED	2								
13	1	26226-060142	STUD, M6X 14	1								
14	1	26226-060552	STUD, M6X 55	2								

Remarks  
 (G) THESE PARTS ARE SOLD BY FIG.11,  
 REF.NO.14.

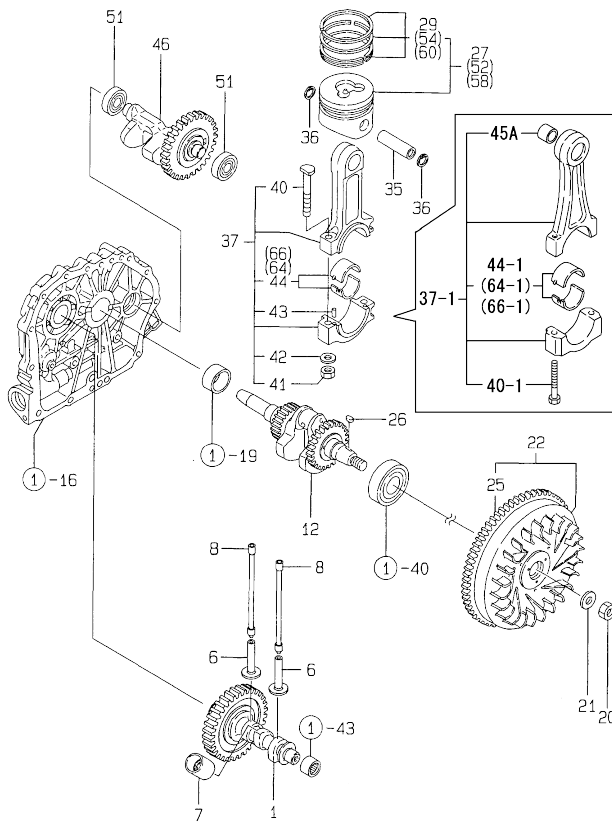
N:Old  $\frac{100}{100}$  New, Q:Old  $\frac{100}{100}$  New, R:Old  $\frac{100}{100}$  New, S:Old  $\frac{100}{100}$  New, W:Add, Z:Discontinued, F:Interchangeable by set, K:Q'ty Change  
 Copyright (C) YANMAR CO., LTD. All Rights Reserved.





Fig.5. CRANKSHAFT,PISTON & CAMSHAFT

5. CRANKSHAFT, PISTON & CAMSHAFT



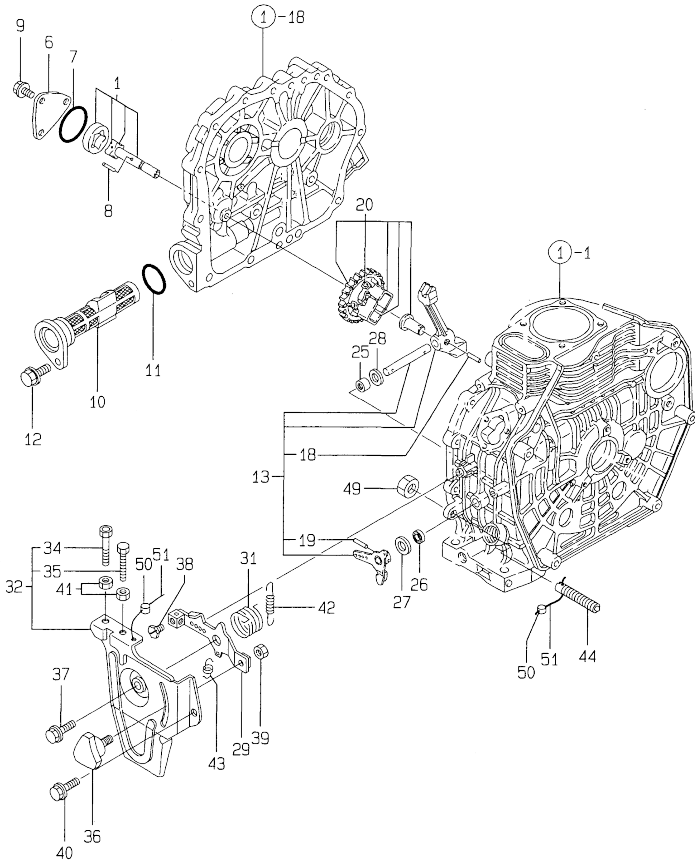
No.	Lev.	Parts No.	Description	Q'ty						I	R
				(A)	(B)	(C)	(D)	(E)	(F)		
1	1	714880-14580	CAMSHAFT ASSY	1							
6	1	114250-14200	TAPPET	2							
7	1	114250-14260	TAPPET	1							
8	1	114350-14450	ROD ASSY, PUSH	2							
12	1	714388-21730	CRANKSHAFT ASSY	1							
12-1	1	714368-21740	CRANKSHAFT ASSY	1						F	3
(A=1998.11.)											
20	1	103854-01221	NUT, CYLINDER HEAD	1							
21	1	114250-21550	WASHER	1							
22	1	114881-21590	FLYWHEEL ASSY	1							
25	2	114362-21600	GEAR, RING	1							
26	1	22512-040120	KEY, 4X 12	1							
27	1	714880-22720	PISTON ASSY, D	1							
29	2	714870-22500	RING SET, PISTON	1							
35	1	114350-22301	PIN, PISTON D=21	1							
36	1	22252-000210	RING, 21	2							
37	1	714350-23704	ROD ASSY, CONNECTING	1							
37-1	1	714380-23700	ROD ASSY, CONNECTING	1						F	3
(A=1998.11.)											
40	2	114250-23200	BOLT, CONNECTING ROD	2							
40-1	2	118200-23200	BOLT, CONNECTING ROD	2							S
(A=1998.11.)											
41	2	114250-23220	NUT	2							Z
(A=1998.11.)											
42	2	114250-23250	WASHER	2							Z
(A=1998.11.)											
43	2	22312-030080	PIN, PARALLEL M3X 8	2							Z
(A=1998.11.)											
44	2	714350-23600	BEARING, CRANK PIN	1							
44-1	2	714380-23600	BEARING, CRANK PIN	1							S
(A=1998.11.)											
45A	2	114380-23100	BEARING, PISTON PIN	1							W
(A=1998.11.)											
46	1	714350-28520	SHAFT ASSY, BALANCER	1							
46-1	1	714870-28510	SHAFT ASSY, BALANCER	1							F 3
(A=1998.11.)											
51	1	24101-062024	BEARING, BALL 6202	2							
52	1	714880-22620	PISTON ASSY, 0.25 OS	1							1
54	2	714870-22540	RING SET, 0.25 OS	1							1
58	1	714880-22580	PISTON ASSY, 0.50 OS	1							1
60	2	714870-22550	RING SET, 0.50 OS	1							1
64	1	714350-23610	BEARING ASSY, 0.25	1							2
64-1	1	714380-23610	METAL ASSY, 0.25	1							S 2
(A=1998.11.)											
66	1	714350-23620	BEARING, 0.50 US	1							2
66-1	1	714380-23620	BEARING, 0.50 US	1							S 2
(A=1998.11.)											

Remarks  
 (1) OVER-SIZED PART.  
 (2) UNDER-SIZED PART.  
 (3) REF.NO.12-1,37-1 & 46-1  
 INTERCHANGEABLE BY SET.

OCV10-M50000

Fig.6. LUB.OIL PUMP & GOVERNOR

6. LUB.OIL PUMP & GOVERNOR



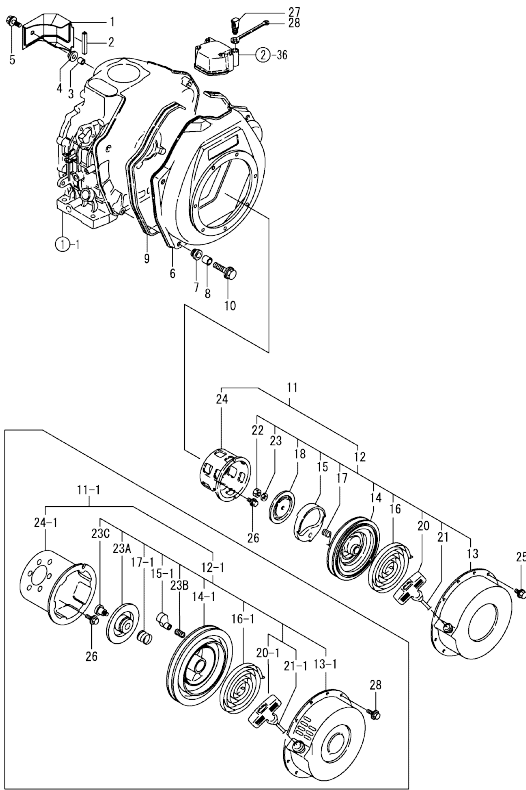
No.	Lev.	Parts No.	Description	Q'ty						I	R
				(A)	(B)	(C)	(D)	(E)	(F)		
1	1	114250-32010	PUMP ASSY, OIL	1							
6	1	114250-32070	COVER	1							
7	1	103338-32570	O-RING	1							G
8	1	22312-030160	PIN, PARALLEL M3X16	1							
9	1	26476-060142	SCREW, TAPPING M6X14	3							
10	1	114250-35070	FILTER, OIL	1							
11	1	24341-000224	O-RING, 1AS22.4	1							
12	1	26106-060162	BOLT, M6X 16 PLATED	1							
13	1	714350-61500	LEVER ASSY, GOVERNOR	1							
18	2	22322-030200	PIN, TAPER 3X20	1							
19	2	22322-030200	PIN, TAPER 3X20	1							
20	1	714770-61700	GOVERNOR ASSY	1							
25	1	114270-61520	BEARING, NEEDLE 8	2							
26	1	114770-61600	SEAL, OIL	1							
27	1	114770-61610	WASHER, THRUST	1							
28	1	114770-61190	WASHER	1							
29	1	114250-66050	HANDLE, REGULATOR	1							
31	1	114252-66252	SPRING, RETURN	1							
32	1	114268-66500	BRACKET ASSY, HANDLE	1							
34	2	114250-66440	BOLT, ADJUSTING	1							
35	2	102100-67080	BOLT, ADJUSTING	1							
36	1	160725-78350	KNOB	1							
37	1	26106-060202	BOLT, M6X 20 PLATED	1							
38	1	26117-040088	BOLT M 4X 8 PLATED	1							
39	1	26347-060002	NUT, M6	1							
40	1	26476-060142	SCREW, TAPPING M6X14	1							
41	1	26757-060002	NUT, LOCK M6	2							
42	1	114870-66010	SPRING, REGULATOR	1							
43	1	114250-66200	SPRING, RETURN	1							
44	1	114250-66550	LIMITER ASSY, FUEL	1							
49	1	26696-100002	NUT, LOCK M10	1							
50	1	135210-61090	LEAD	2							
51	1	22451-060000	WIRE, 0.6	2							

Remarks  
(G) THESE PARTS ARE SOLD BY FIG.11,  
REF.NO.14.

N:Old  $\frac{New}{Old}$  New, Q:Old  $\frac{New}{Old}$  New, R:Old  $\frac{New}{Old}$  New, S:Old  $\frac{New}{Old}$  New, W:Add, Z:Discontinued, F:Interchangeable by set, K:Qty Change  
Copyright (C) YANMAR CO., LTD. All Rights Reserved.

Fig.7. COOLING & STARTING DEVICE

7. COOLING & STARTING DEVICE



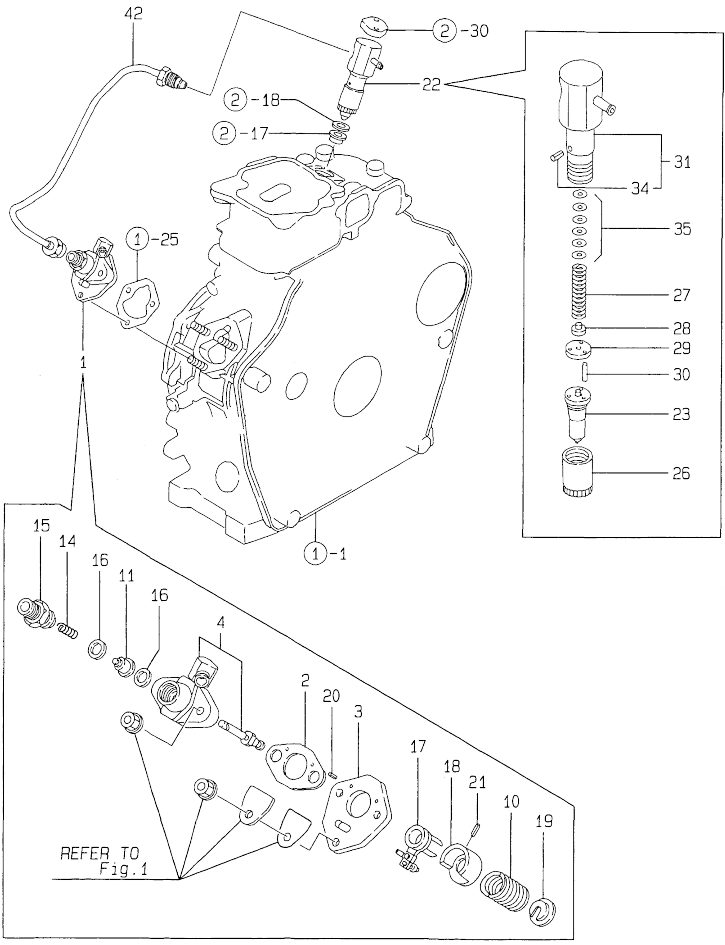
No.	Lev.	Parts No.	Description	Q'ty						I	R
				(A)	(B)	(C)	(D)	(E)	(F)		
1	1	114870-45201	COVER	1							
2	1	114350-45320	RUBBER, SEAL	1							
3	1	114350-45340	COLLAR	1							
4	1	183720-55210	GROMMET	1							
5	1	26476-060202	SCREW, TAPPING M6X20	1							
6	1	114360-45101	CASE, COOLING FAN	1							
7	1	114250-45300	ABSORBER	4							
8	1	114250-45310	COLLAR	4							
9	1	114250-45330	SEAL, FAN CASE L=875	1							
10	1	114370-45350	BOLT	4							
11	1	114880-76050	STARTER ASSY, RECOIL	1							
11-1	1	114880-76051	STARTER ASSY, RECOIL	1							R 1
(A=EZZZZZ)											
12	2	114880-76250	STARTER ASSY, RECOIL	1							
12-1	2	114880-76251	STARTER ASSY, RECOIL	1							S
(A=EZZZZZ)											
13	3	114880-76510	CASE, STARTER	1							
13-1	3	114880-76511	CASE, STARTER	1							S
(A=EZZZZZ)											
14	3	160810-76520	REEL	1							
14-1	3	114880-76520	REEL	1							S
(A=EZZZZZ)											
15	3	160840-76530	RATCHET	1							
15-1	3	114870-76530	RATCHET	2							S
(A=EZZZZZ)											
16	3	160810-76540	SPRING, SPIRAL	1							
16-1	3	114870-76540	SPRING, SPIRAL	1							S
(A=EZZZZZ)											
17	3	160840-76560	SPRING, FRICTION	1							
17-1	3	114870-76560	SPRING, FRICTION	1							S
(A=EZZZZZ)											
18	3	160810-76580	PLATE, FRICTION	1							Z
(A=EZZZZZ)											
20	3	160810-76620	KNOB, STARTER	1							
20-1	4	114870-76620	KNOB, STARTER	1							S
(A=EZZZZZ)											
21	3	160810-76630	ROPE, STARTER	1							
21-1	4	114870-76630	ROPE, STARTER	1							S
(A=EZZZZZ)											
22	3	181130-76680	NUT	1							Z
(A=EZZZZZ)											
23	3	181130-76700	WASHER	1							Z
(A=EZZZZZ)											
23A	3	114880-76550	GUIDE, RATCHET	1							W
(A=EZZZZZ)											
23B	3	114870-76570	SPRING, RETURN	2							W
(A=EZZZZZ)											
23C	3	114870-76580	SCREW	1							W
(A=EZZZZZ)											
24	2	114350-76590	PULLEY, STARTER	1							
24-1	2	114350-76591	PULLEY, STARTER	1							S

Remarks  
 (1) Interchangeable by simultaneous replacement with Ref.12-1 and Ref.24-1.



Fig.8. FUEL INJECTION PUMP

8.FUEL INJECTION PUMP

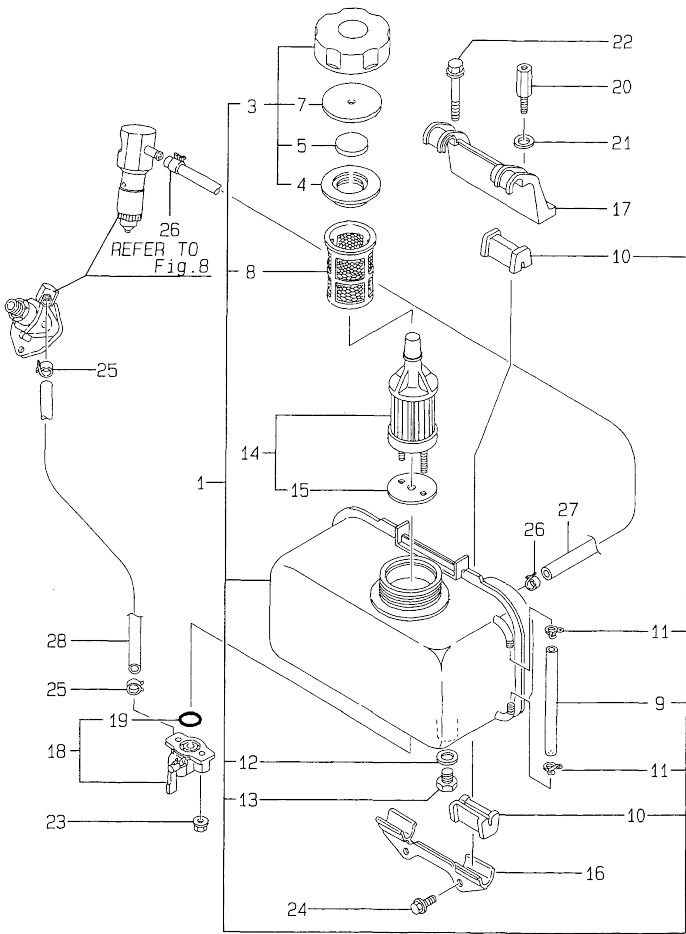


No.	Lev.	Parts No.	Description	Q'ty					
				(A)	(B)	(C)	(D)	(E)	(F)
1	1	783350-51701	PUMP ASSY, INJECTION	1					
2	2	105546-51020	GASKET	1					
3	2	114250-51080	PLATE	1					
4	2	183350-51200	BODY ASSY, PUMP	1					
10	2	114250-51160	SPRING, PLUNGER	1					
11	2	114250-51300	VALVE ASSY, DELIVERY	1					
14	2	105546-51330	SPRING, DELIVERY	1					
15	2	114250-51340	HOLDER, DELIVERY	1					
16	2	124550-51350	GASKET, DELIVERY	2					
17	2	114250-51600	LEVER ASSY, CONTROL	1					
18	2	114250-51640	SEAT, SPRING A	1					
19	2	114250-51650	SEAT, SPRING B	1					
20	2	22351-020006	PIN, SPRING 2.0X 6	2					
21	2	22351-030008	PIN, SPRING 3.0X 8	1					
22	1	714870-53100	VALVE ASSY, INJECTION	1					
23	2	114870-53000	VALVE ASSY, INJECTION	1					
26	2	114250-53080	NUT, NOZZLE D16.95	1					
27	2	114250-53120	SPRING, NOZZLE	1					
28	2	114250-53130	SEAT, SPRING	1					
29	2	114250-53140	PLATE	1					
30	2	114250-53210	PIN	2					
31	2	114250-53300	HOLDER ASSY, NOZZLE	1					
34	3	114250-53331	PIN	1					
35	2	114250-53400	SHIM SET	1					
42	1	114350-59800	PIPE ASSY, INJECTION	1					

N:Old  $\frac{100}{100}$  New, Q:Old  $\frac{100}{100}$  New, R:Old  $\frac{100}{100}$  New, S:Old  $\frac{100}{100}$  New, W:Add, Z:Discontinued, F:Interchangeable by set, K:Q'ty Change  
 Copyright (C) YANMAR CO., LTD. All Rights Reserved.

Fig.9. FUEL TANK & FUEL LINE

9.FUEL TANK & FUEL LINE

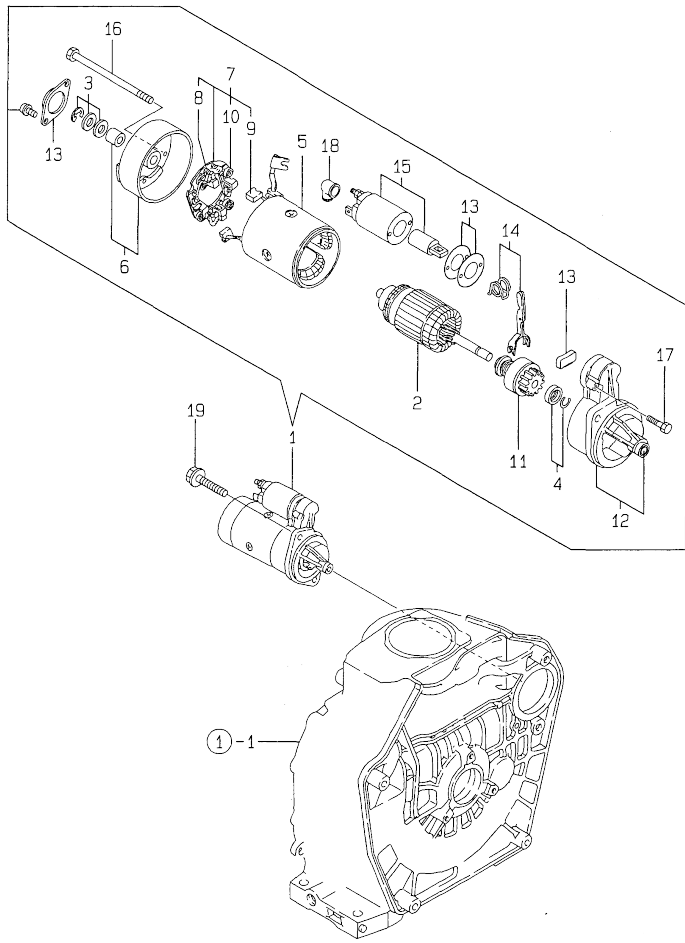


No.	Lev.	Parts No.	Description	Q'ty						I	R
				(A)	(B)	(C)	(D)	(E)	(F)		
1	1	714350-55711	TANK ASSY, FUEL	1							
3	2	114250-55041	CAP ASSY	1							
4	3	114250-55050	GASKET	1							
5	3	114250-55060	SEAL	1							
7	3	114250-55080	SEAT	1							
8	2	114250-55100	FILTER, FUEL	1							
9	2	114350-55150	GAUGE, LEVEL	1							
10	2	114250-55201	DAMPER, FUEL TANK	4							
11	2	124722-59050	CLIP, HOSE 9	2							
12	2	23414-120000	GASKET, 12X1.0	1							
13	2	23887-120002	PLUG, 12	1							
14	1	114250-55121	FILTER ASSY, FUEL	1							
15	2	114250-55130	GASKET	1							
16	1	114250-55211	STAY, FUEL TANK	1							
17	1	114350-55231	STAY, FUEL TANK	1							
18	1	114250-55300	COCK ASSY, FUEL	1							
19	2	24341-000150	O-RING, 1AS15.0	1							
20	1	114650-55810	BOLT	1							
21	1	22117-080000	WASHER, 8	1							
22	1	26106-080452	BOLT, M8X 45 PLATED	1							
23	1	26366-060002	NUT, M6	2							
24	1	26476-060142	SCREW, TAPPING M6X14	2							
25	1	106990-44660	CLIP, HOSE 12.5	2							
26	1	124722-59050	CLIP, HOSE 9	2							
27	1	114250-59060	PIPE, FUEL RETURN	1							
28	1	114268-59060	PIPE, FUEL L=50	1							

N:Old  $\frac{100}{100}$  New, Q:Old  $\frac{100}{100}$  New, R:Old  $\frac{100}{100}$  New, S:Old  $\frac{100}{100}$  New, W:Add, Z:Discontinued, F:Interchangeable by set, K:Q'ty Change  
 Copyright (C) YANMAR CO., LTD. All Rights Reserved.

Fig.10. STARTING MOTOR

10. STARTING MOTOR

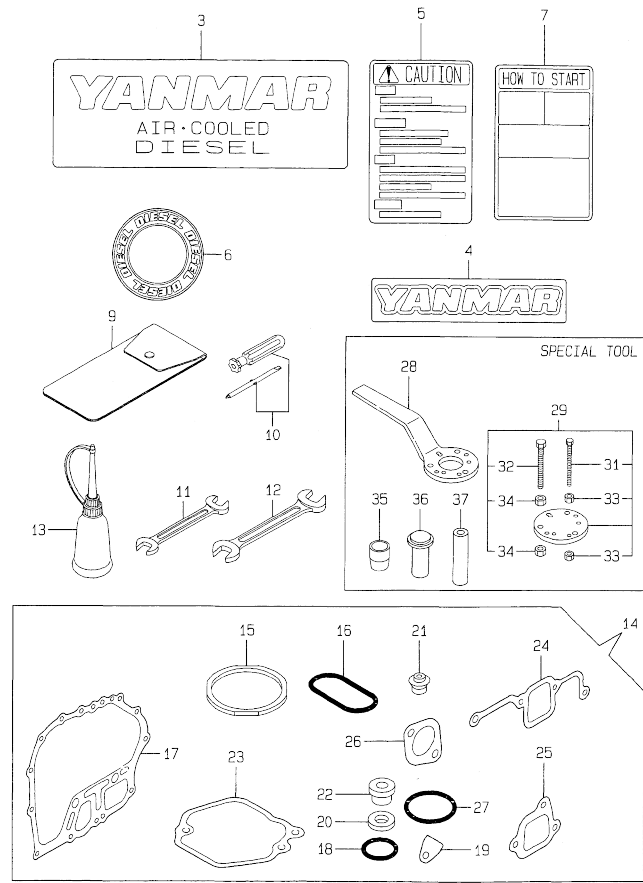


No.	Lev.	Parts No.	Description	Q'ty						I	R
				(A)	(B)	(C)	(D)	(E)	(F)		
1	1	114362-77011	STARTER(HITACHI 12V	1							
2	2	114381-77110	ARMATURE	1							
3	2	X2114811000	WASHER KIT, THRUST	1							
4	2	X2114715500	STOPPER SET, PINION	1							
5	2	114381-77130	COIL ASSY, FIELD	1							
6	2	114381-77140	COVER, REAR	1							
7	2	114371-77160	HOLDER ASSY, BRUSH	1							
8	3	114371-79040	BRUSH (-)	2							
9	3	114371-79050	BRUSH (+)	1							
10	3	114371-79060	SPRING, BRUSH	4							
11	2	X2114455080	PINION ASSY	1							
12	2	114381-77150	HOUSING ASSY, GEAR	1							
13	2	114371-77170	COVER KIT, DUST	1							
14	2	X2114560130	LEVER KIT, SHIFT	1							
15	2	X2114275010	SWITCH ASSY, MAGNET	1							
16	2	X2114680050	BOLT, THROUGH	2							
17	2	114371-79070	BOLT M 6X 37	2							
18	2	X2114274200	COVER, TERMINAL	1							
19	1	26106-100302	BOLT, M10X 30 PLATED	2							

N:Old  $\frac{100}{100}$  New, Q:Old  $\frac{100}{100}$  New, R:Old  $\frac{100}{100}$  New, S:Old  $\frac{100}{100}$  New, W:Add, Z:Discontinued, F:Interchangeable by set, K:Q'ty Change  
 Copyright (C) YANMAR CO., LTD. All Rights Reserved.

Fig.11. TOOL, LABEL & GASKET SET

11. TOOL, LABEL & GASKET SET



No.	Lev.	Parts No.	Description	Qty						I	R	
				(A)	(B)	(C)	(D)	(E)	(F)			
3	1	114250-07090	LABEL, AIR COOLED	1								
4	1	114250-07111	LABEL, YANMAR	1								
5	1	114268-07240	LABEL, CAUTION	1								
6	1	114261-07350	LABEL	1								
7	1	114268-07350	LABEL, HOW TO START	1								
9	1	114250-92600	BAG, TOOL	1								
10	1	160330-92730	DRIVE, SCREW	1								
11	1	28110-100120	SPANNER, 10X12	1								
12	1	28110-140170	SPANNER, 14X17	1								
13	1	28210-000150	OILER	1								
14	1	714888-92600	GASKET SET	1								1
15	2	114870-01340	GASKET, HEAD	1								
16	2	114350-01380	O-RING	1								
17	2	114350-01412	GASKET, CRANK CASE	1								
18	2	24311-000180	O-RING, 1AP18.0	2								
19	2	114250-01841	GASKET	1								
20	2	22190-160002	WASHER, SEAL 16	2								
21	2	114350-11340	SEAL, VALVE STEM	2								
22	2	114250-11460	GASKET, NOZZLE	1								
23	2	114250-11311	GASKET, BONNET	1								
24	2	114350-12202	GASKET, AIR INTAKE	1								
25	2	114250-12211	GASKET, AIR CLEANER	1								
26	2	114250-13201	GASKET, MUFFLER	1								
27	2	103338-32570	O-RING	1								
28	1	114250-92101	F.W. LOCKING HANDLE	1								1
29	1	114250-92130	REMOVER, FLYWHEEL	1								1
31	2	26116-060454	BOLT M 6X 45 PLATED	4								1
32	2	26116-080454	BOLT, M8X 45 PLATED	3								1
33	2	26716-060002	NUT, M6	8								1
34	2	26716-080002	NUT, M8	6								1
35	1	114368-92300	GUIDE, OIL SEAL	1								1
36	1	114350-92311	INSTALLING TOOL	1								1
37	1	114350-92350	INSTALLING TOOL	1								1

Remarks  
(1) OPTIONAL PARTS.

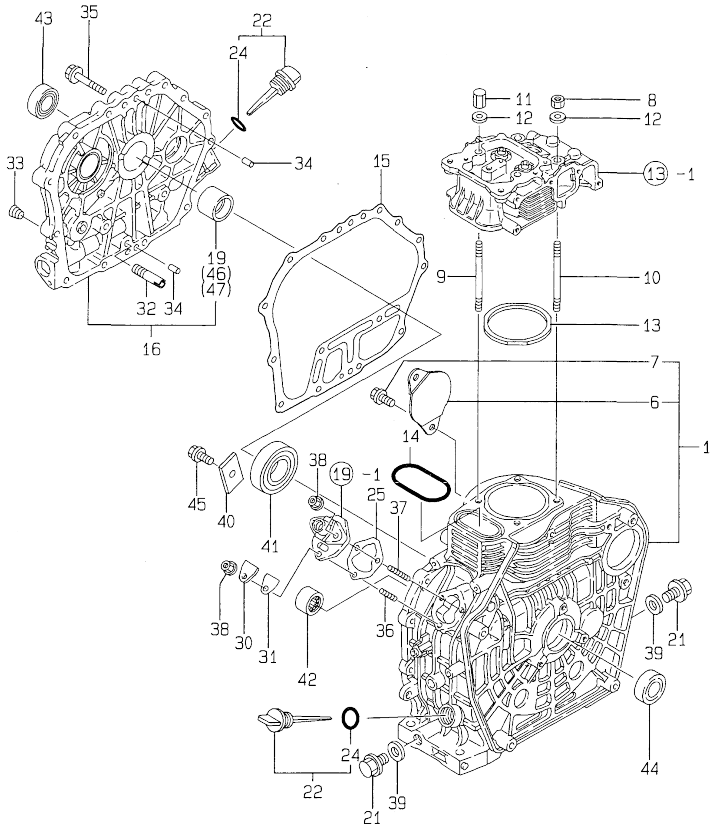
N:Old  $\frac{100}{100}$  New, Q:Old  $\frac{100}{100}$  New, R:Old  $\frac{100}{100}$  New, S:Old  $\frac{100}{100}$  New, W:Add, Z:Discontinued, F:Interchangeable by set, K:Qty Change  
Copyright (C) YANMAR CO., LTD. All Rights Reserved.



OCV10-M50000

Fig.12. CYLINDER BLOCK

12. CYLINDER BLOCK



No.	Lev.	Parts No.	Description	Q'ty						I	R
				(A)	(B)	(C)	(D)	(E)	(F)		
1	1	714970-01560	BLOCK ASSY, CYLINDER	1							
6	2	114350-01700	COVER	1							
7	2	26106-100122	BOLT, M10X 12 PLATED	2							
8	1	105025-01220	NUT, CYLINDER HEAD	2							
9	1	114650-01230	BOLT, HEAD	2							
10	1	114650-01240	BOLT, HEAD	2							
11	1	114650-01250	NUT, CYLINDER HEAD	2							
12	1	114650-01260	WASHER	4							
13	1	114970-01340	GASKET, HEAD	1							G
14	1	114650-01380	O-RING	1							G
15	1	114650-01412	GASKET, CRANK CASE	1							G
16	1	114660-01471	COVER, CRANK CASE	1							
19	2	114650-02100	BEARING, MAIN	1							1
21	1	105425-01690	PLUG, 16	2							
22	1	160910-01740	CAP ASSY	2							
24	2	24311-000180	O-RING, 1AP18.0	2							G
25	1	114250-01800	SHIM SET	1							
30	1	114250-01830	COVER	1							
31	1	114250-01841	GASKET	1							G
32	1	114250-35150	PIPE, OIL INLET	1							
33	1	23871-010000	PLUG, R01	1							
34	1	114270-01600	PIN, M8X12	2							
35	1	26106-080352	BOLT, M8X 35 PLATED	16							
36	1	26226-060182	STUD, M6X 18	1							
37	1	26226-060222	STUD, M6X 22	2							
38	1	26366-060002	NUT, M6	3							
39	1	22190-160002	WASHER, SEAL 16	2							G
40	1	114250-02030	RETAINER, BEARING	1							
41	1	114650-02150	BEARING, HR6308G3C3	1							
42	1	24162-152112	BEARING, 152112	1							
43	1	24423-355008	SEAL, OIL TC355008	1							
44	1	24423-355008	SEAL, OIL TC355008	1							
45	1	26106-080122	BOLT, M8X 12 PLATED	1							
46	1	114650-02200	BEARING, 0.25 US	1							2
47	1	114650-02210	BEARING, 0.50 US	1							2

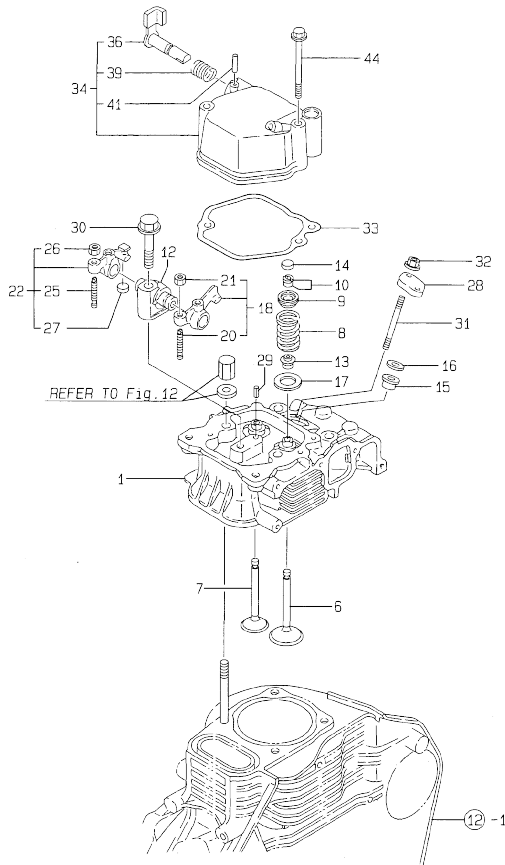
Remarks

- (1) REPAIR PART.
- (2) UNDER-SIZED PART.
- (G) THESE PARTS ARE SOLD BY FIG.22, REF.NO.14.

N:Old  $\frac{100}{100}$  New, Q:Old  $\frac{100}{100}$  New, R:Old  $\frac{100}{100}$  New, S:Old  $\frac{100}{100}$  New, W:Add, Z:Discontinued, F:Interchangeable by set, K:Qty Change  
 Copyright (C) YANMAR CO., LTD. All Rights Reserved.

Fig.13. CYLINDER HEAD & BONNET

13. CYLINDER HEAD & BONNET



(A)=L70AE-DEGLE  
(B)=L100AE-DEGLE  
(C)=  
(D)=  
(E)=  
(F)=

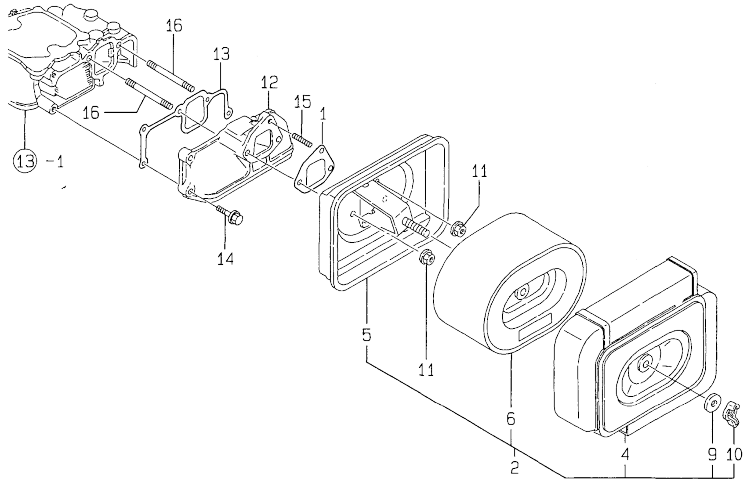
No.	Lev.	Parts No.	Description	Qty						I	R
				(A)	(B)	(C)	(D)	(E)	(F)		
1	1	114650-11010	HEAD ASSY, CYLINDER	1							
6	1	114650-11100	VALVE, INTAKE	1							
7	1	114654-11110	VALVE, EXHAUST	1							
8	1	114650-11121	SPRING, VALVE	2							
9	1	119620-11180	RETAINER, SPRING	2							
10	1	27310-070001	COTTER, 7	2							
12	1	114650-11261	SUPPORT, ROCKER ARM	1							
13	1	114650-11340	SEAL, VALVE STEM	2							G
14	1	104211-11370	CAP, VALVE	1							
15	1	114250-11460	GASKET, NOZZLE	1							G
16	1	114350-11470	SPACER, NOZZLE	1							
17	1	114650-11600	WASHER	2							
18	1	114650-11652	ARM, ROCKER	1							
20	2	114250-11240	SCREW, VALVE ADJUST	1							
21	2	26756-060002	NUT, LOCK M6	1							
22	1	714670-11660	ARM ASSY, ROCKER	1							
25	2	114250-11240	SCREW, VALVE ADJUST	1							
26	2	26756-060002	NUT, LOCK M6	1							
27	2	104211-11370	CAP, VALVE	1							
28	1	114250-11900	RETAINER, NOZZLE	1							
29	1	22351-040008	PIN, SPRING 4.0X 8	1							
30	1	26106-100552	BOLT, M10X 55 PLATED	1							
31	1	26226-060502	STUD, M6X 50	2							
32	1	26366-060002	NUT, M6	2							
33	1	114650-11311	GASKET, BONNET	1							G
34	1	114650-11951	BONNET ASSY, HEAD	1							
36	2	114250-03591	LEVER ASSY	1							
39	2	114250-03640	SPRING, DECOMPRESSION	1							
41	2	22312-030160	PIN, PARALLEL M3X16	1							
44	1	26106-060702	BOLT, M6X 70 PLATED	2							

Remarks  
(G) THESE PARTS ARE SOLD BY FIG.22.  
REF.NO.14.

OCV10-M50000

Fig.14. AIR CLEANER

14. AIR CLEANER



No.	Lev.	Parts No.	Description	Q'ty						I	R		
				(A)	(B)	(C)	(D)	(E)	(F)				
1	1	114650-12211	GASKET, AIR CLEANER		1								
2	1	714650-12560	CLEANER ASSY, AIR		1								G
4	2	114650-12520	COVER, AIR CLEANER		1								
5	2	114650-12530	CASE ASSY, CLEANER		1								
6	2	114650-12590	ELEMENT ASSY		1								
9	2	114252-12560	WASHER, SEAL M8		1								
10	2	114252-12550	NUT, WING M8		1								
11	1	26366-060002	NUT, M6		3								
12	1	114650-12020	PIPE, AIR INTAKE		1								
13	1	114650-12301	GASKET		1								G
14	1	26106-060252	BOLT, M6X 25 PLATED		3								
15	1	26226-060142	STUD, M6X 14		1								
16	1	26226-060752	STUD, M6X 75		2								

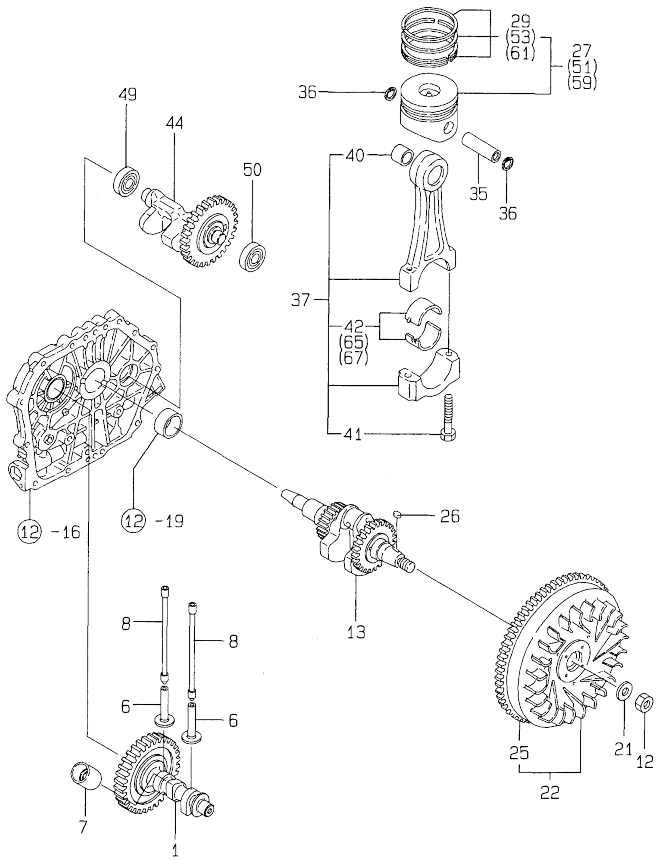
Remarks  
 (G) THESE PARTS ARE SOLD BY FIG.22.  
 REF.NO.14.

N:Old  $\frac{100}{100}$  New. Q:Old  $\frac{100}{100}$  New. R:Old  $\frac{100}{100}$  New. S:Old  $\frac{100}{100}$  New. W:Add. Z:Discontinued. F:Interchangeable by set. K:Qty Change  
 Copyright (C) YANMAR CO., LTD. All Rights Reserved.



Fig.16. CRANKSHAFT,PISTON & CAMSHAFT

16. CRANKSHAFT, PISTON & CAMSHAFT



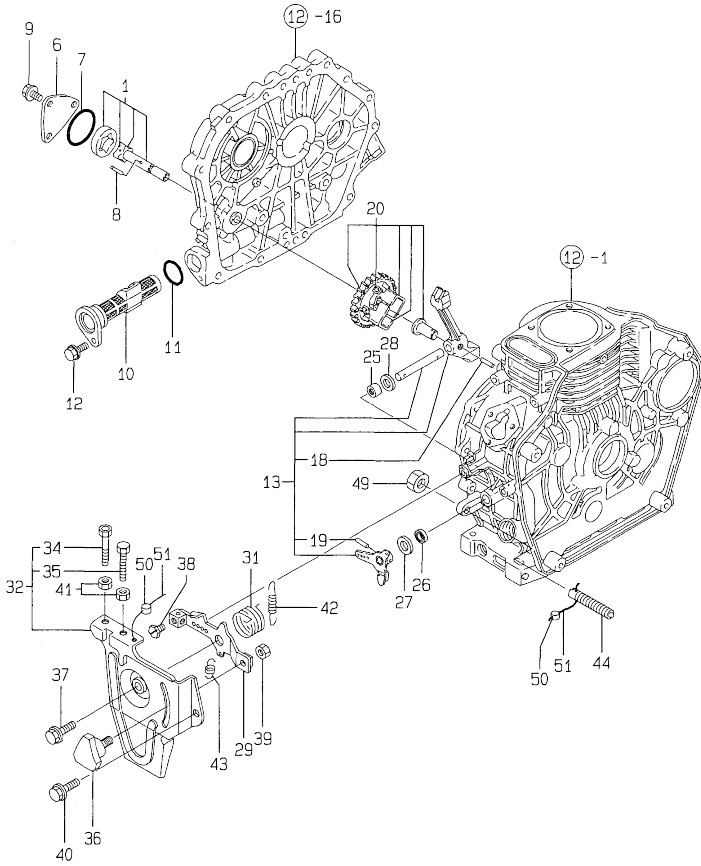
Remarks  
 (1) OVER-SIZED PART.  
 (2) UNDER-SIZED PART.

No.	Lev.	Parts No.	Description	Q'ty						I	R	
				(A)	(B)	(C)	(D)	(E)	(F)			
1	1	714689-14580	CAMSHAFT ASSY									
6	1	114650-14200	TAPPET									
7	1	114250-14260	TAPPET									
8	1	114650-14401	ROD ASSY, PUSH									
12	1	122710-01220	NUT, CYLINDER HEAD									
13	1	714689-21730	CRANKSHAFT ASSY									
21	1	114650-21551	WASHER									
22	1	114662-21592	FLYWHEEL ASSY									
25	2	114662-21601	GEAR, RING									
26	1	22512-050140	KEY, 5X 14									
27	1	714980-22720	PISTON ASSY, D									
29	2	714970-22500	RING SET, PISTON									
35	1	114650-22300	PIN, PISTON D=23									
36	1	129792-22400	CIRCLIP, 23									
37	1	714650-23700	ROD ASSY, CONNECTING									
40	2	124060-23100	BEARING, PISTON PIN									
41	2	104200-23201	BOLT, CONNECTING ROD									
42	2	714650-23600	BEARING, CRANK PIN									
44	1	714970-28511	SHAFT ASSY, BALANCER									
49	1	24101-062034	BEARING, BALL 6203									
50	1	24101-063034	BEARING, BALL 6303									
51	1	714980-22620	PISTON ASSY, 0.25 OS									1
53	2	714970-22540	RING SET, 0.25 OS									1
59	1	714980-22580	PISTON ASSY, 0.50 OS									1
61	2	714970-22550	RING SET, 0.50 OS									1
65	1	714650-23610	BEARING ASSY, 0.25									2
67	1	714650-23620	BEARING, 0.50 US									2

OCV10-M50000

Fig.17. LUB.OIL PUMP & GOVERNOR

17. LUB.OIL PUMP & GOVERNOR



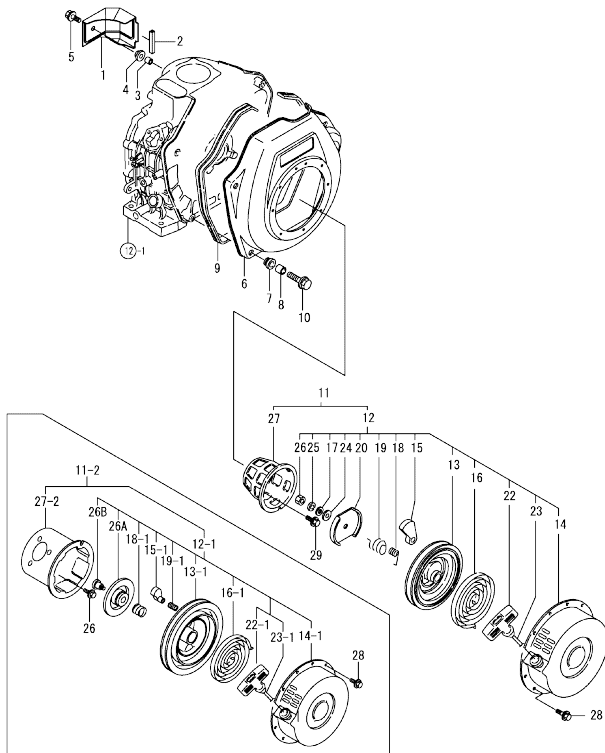
No.	Lev.	Parts No.	Description	Q'ty						I	R
				(A)	(B)	(C)	(D)	(E)	(F)		
1	1	114650-32010	PUMP ASSY, OIL		1						
6	1	114250-32070	COVER		1						
7	1	103338-32570	O-RING		1						G
8	1	22312-030160	PIN, PARALLEL M3X16		1						
9	1	26476-060142	SCREW, TAPPING M6X14		3						
10	1	114250-35070	FILTER, OIL		1						
11	1	24341-000224	O-RING, 1AS22.4		1						
12	1	26106-060162	BOLT, M6X 16 PLATED		1						
13	1	714650-61500	LEVER ASSY, GOVERNOR		1						
18	2	22322-030200	PIN, TAPER 3X20		1						
19	2	22322-030200	PIN, TAPER 3X20		1						
20	1	714685-61700	GOVERNOR ASSY		1						
25	1	114270-61520	BEARING, NEEDLE 8		2						
26	1	114770-61600	SEAL, OIL		1						
27	1	114770-61610	WASHER, THRUST		1						
28	1	114770-61190	WASHER		1						
29	1	114250-66050	HANDLE, REGULATOR		1						
31	1	114252-66252	SPRING, RETURN		1						
32	1	114268-66500	BRACKET ASSY, HANDLE		1						
34	2	114250-66440	BOLT, ADJUSTING		1						
35	2	102100-67080	BOLT, ADJUSTING		1						
36	1	160725-78350	KNOB		1						
37	1	26106-060202	BOLT, M6X 20 PLATED		1						
38	1	26117-040088	BOLT, M 4X 8 PLATED		1						
39	1	26347-060002	NUT, M6		1						
40	1	26476-060142	SCREW, TAPPING M6X14		1						
41	1	26757-060002	NUT, LOCK M6		2						
42	1	114970-66010	SPRING, REGULATOR		1						
43	1	114250-66200	SPRING, RETURN		1						
44	1	114650-66600	LIMITER ASSY, FUEL		1						
49	1	26696-100002	NUT, LOCK M10		1						
50	1	135210-61090	LEAD		2						
51	1	22451-060000	WIRE, 0.6		2						

Remarks  
(G) THESE PARTS ARE SOLD BY FIG.22.  
REF.NO.14.

N:Old  $\frac{100}{100}$  New, Q:Old  $\frac{100}{100}$  New, R:Old  $\frac{100}{100}$  New, S:Old  $\frac{100}{100}$  New, W:Add, Z:Discontinued, F:Interchangeable by set, K:Q'ty Change  
Copyright (C) YANMAR CO., LTD. All Rights Reserved.

Fig.18. COOLING & STARTING DEVICE

18. COOLING & STARTING DEVICE



Remarks

(1) Interchangeable by simultaneous replacement with Ref.12-1 and Ref.27-2.

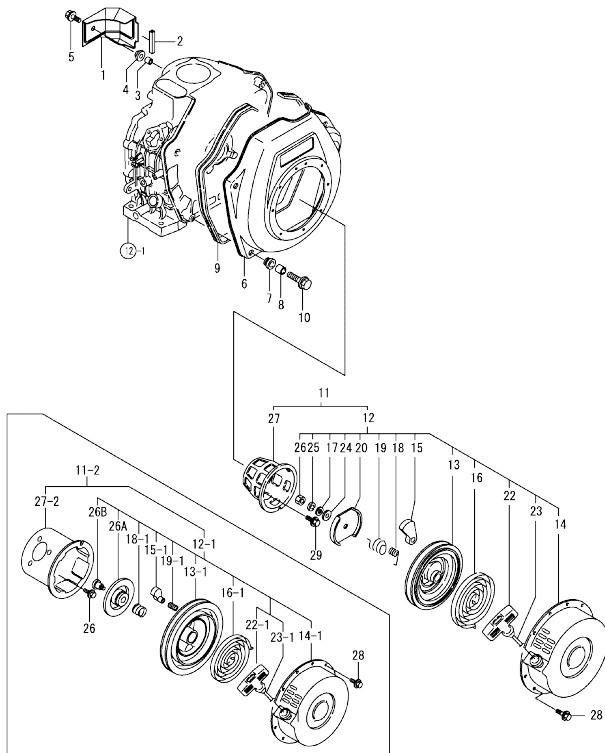
(A)=L70AE-DEGLE  
(B)=L100AE-DEGLE  
(C)=  
(D)=  
(E)=  
(F)=

No.	Lev.	Parts No.	Description	Q'ty						I	R
				(A)	(B)	(C)	(D)	(E)	(F)		
1	1	114650-45201	COVER		1						
2	1	114350-45320	RUBBER, SEAL		1						
3	1	114350-45340	COLLAR		1						
4	1	183720-55210	GROMMET		1						
5	1	26476-060202	SCREW, TAPPING M6X20		1						
6	1	114668-45102	CASE, COOLING FAN		1						
7	1	114250-45300	ABSORBER		4						
8	1	114250-45310	COLLAR		4						
9	1	114650-45330	SEAL, FAN CASE L=950		1						
10	1	114370-45350	BOLT		4						
11	1	114660-76050	STARTER ASSY, RECOIL		1						
11-1	1	114660-76051	STARTER ASSY, RECOIL		1						S
		(B=EZZZZZ)									
11-2	1	114660-76052	STARTER ASSY, RECOIL		1						R 1
		(B=EZZZZZ)									
12	2	114660-76250	STARTER ASSY, RECOIL		1						
12-1	2	114660-76251	STARTER ASSY, RECOIL		1						S
		(B=EZZZZZ)									
13	3	114650-76520	REEL		1						
13-1	3	114880-76520	REEL		1						S
		(B=EZZZZZ)									
14	3	114660-76530	CASE, STARTER		1						
14-1	3	114660-76531	CASE, STARTER		1						S
		(B=EZZZZZ)									
15	3	160910-76530	RATCHET		1						
15-1	3	114870-76530	RATCHET		2						S
		(B=EZZZZZ)									
16	3	114650-76540	SPRING, SPIRAL		1						
16-1	3	114870-76540	SPRING, SPIRAL		1						S
		(B=EZZZZZ)									
17	3	160910-76550	WASHER, THRUST		1						Z
		(B=EZZZZZ)									
18	3	160910-76560	SPRING, FRICTION		1						
18-1	3	114870-76560	SPRING, FRICTION		1						S
		(B=EZZZZZ)									
19	3	160910-76570	SPRING, RETURN		1						
19-1	3	114870-76570	SPRING, RETURN		2						S
		(B=EZZZZZ)									
20	3	160910-76580	PLATE, FRICTION		1						Z
		(B=EZZZZZ)									
22	3	160910-76620	KNOB, STARTER		1						
22-1	4	114870-76620	KNOB, STARTER		1						S
		(B=EZZZZZ)									
23	3	114650-76630	ROPE, STARTER		1						
23-1	4	114650-76631	ROPE, STARTER		1						S
		(B=EZZZZZ)									
24	3	160910-76650	WASHER, THRUST		1						Z
		(B=EZZZZZ)									
25	3	22217-060000	WASHER, SPRING 6		1						Z
		(B=EZZZZZ)									
26	3	26717-060002	NUT, M6		1						Z

N:Old  $\frac{100}{100}$  New, Q:Old  $\frac{100}{100}$  New, R:Old  $\frac{100}{100}$  New, S:Old  $\frac{100}{100}$  New, W:Add, Z:Discontinued, F:Interchangeable by set, K:Q'ty Change  
 ++ CONTINUE ++  
 Copyright (C) YANMAR CO., LTD. All Rights Reserved.

Fig.18. COOLING & STARTING DEVICE

18. COOLING & STARTING DEVICE



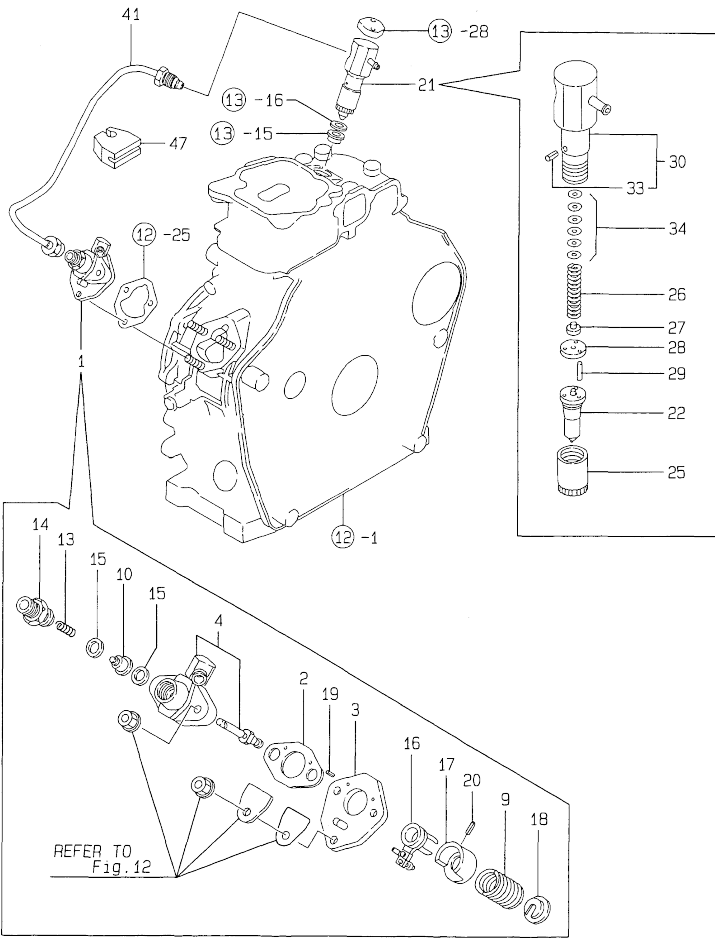
No.	Lev.	Parts No.	Description	Q'ty						I	R
				(A)	(B)	(C)	(D)	(E)	(F)		
			(B=EZZZZZ)								
26A	3	114880-76550	GUIDE, RATCHET		1						W
			(B=EZZZZZ)								
26B	3	114870-76580	SCREW		1						W
			(B=EZZZZZ)								
27	2	114660-76590	PULLEY, STARTER		1						S
27-1	2	114660-76591	PULLEY, STARTER		1						S
			(B=EZZZZZ)								
27-2	2	114660-76592	PULLEY, STARTER		1						S
			(B=EZZZZZ)								
28	1	26106-060082	BOLT, M6X 8 PLATED		4						
29	1	26106-060122	BOLT, M6X 12 PLATED		4						
29-1	1	26106-060122	BOLT, M6X 12 PLATED		3						K
			(B=EZZZZZ)								

Remarks  
 (1) Interchangeable by simultaneous replacement with Ref.12-1 and Ref.27-2.



Fig.19. FUEL INJECTION PUMP

19. FUEL INJECTION PUMP

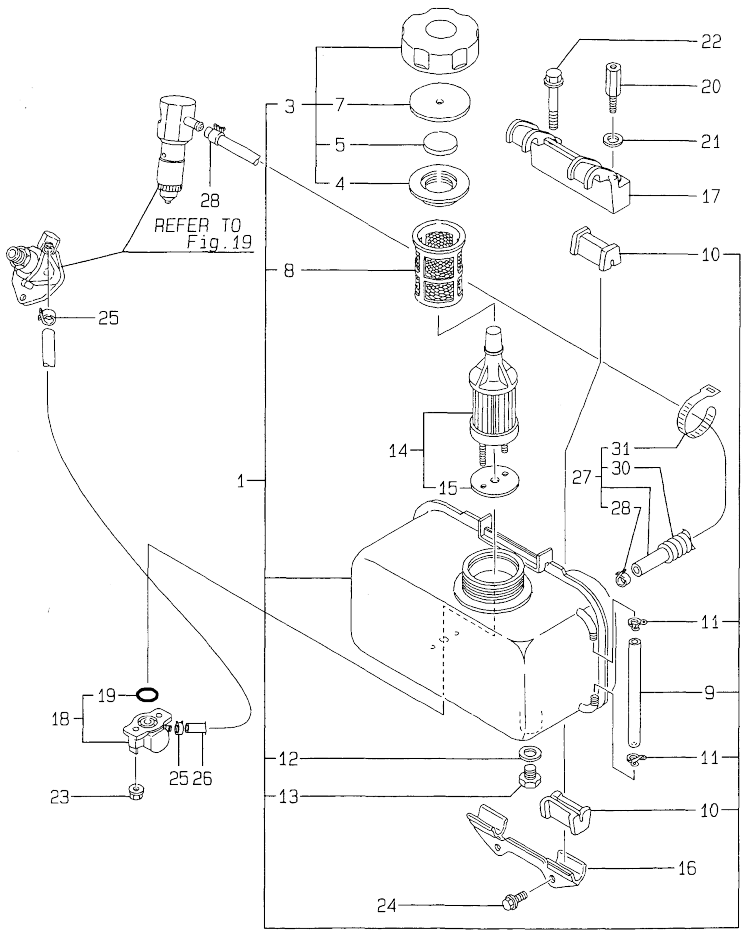


No.	Lev.	Parts No.	Description	Q'ty					
				(A)	(B)	(C)	(D)	(E)	(F)
1	1	714970-51700	PUMP ASSY, INJECTION	1					
2	2	105546-51020	GASKET	1					
3	2	114250-51080	PLATE	1					
4	2	114970-51100	BODY ASSY, PUMP	1					
9	2	114250-51160	SPRING, PLUNGER	1					
10	2	114650-51300	VALVE ASSY, DELIVERY	1					
13	2	105546-51330	SPRING, DELIVERY	1					
14	2	114250-51340	HOLDER, DELIVERY	1					
15	2	124550-51350	GASKET, DELIVERY	2					
16	2	114250-51600	LEVER ASSY, CONTROL	1					
17	2	114250-51640	SEAT, SPRING A	1					
18	2	114250-51650	SEAT, SPRING B	1					
19	2	22351-020006	PIN, SPRING 2.0X 6	2					
20	2	22351-030008	PIN, SPRING 3.0X 8	1					
21	1	714650-53100	VALVE ASSY, INJECTION	1					
22	2	114650-53000	VALVE ASSY, INJECTION	1					
25	2	114250-53080	NUT, NOZZLE D16.95	1					
26	2	114250-53120	SPRING, NOZZLE	1					
27	2	114250-53130	SEAT, SPRING	1					
28	2	114250-53140	PLATE	1					
29	2	114250-53210	PIN	2					
30	2	114650-53300	HOLDER ASSY, NOZZLE	1					
33	3	114250-53331	PIN	1					
34	2	114250-53400	SHIM SET	1					
41	1	114650-59800	PIPE ASSY, INJECTION	1					
47	1	114650-59850	SUPPORT	1					

OCV10-M50000

Fig.20. FUEL TANK & FUEL LINE

20.FUEL TANK & FUEL LINE

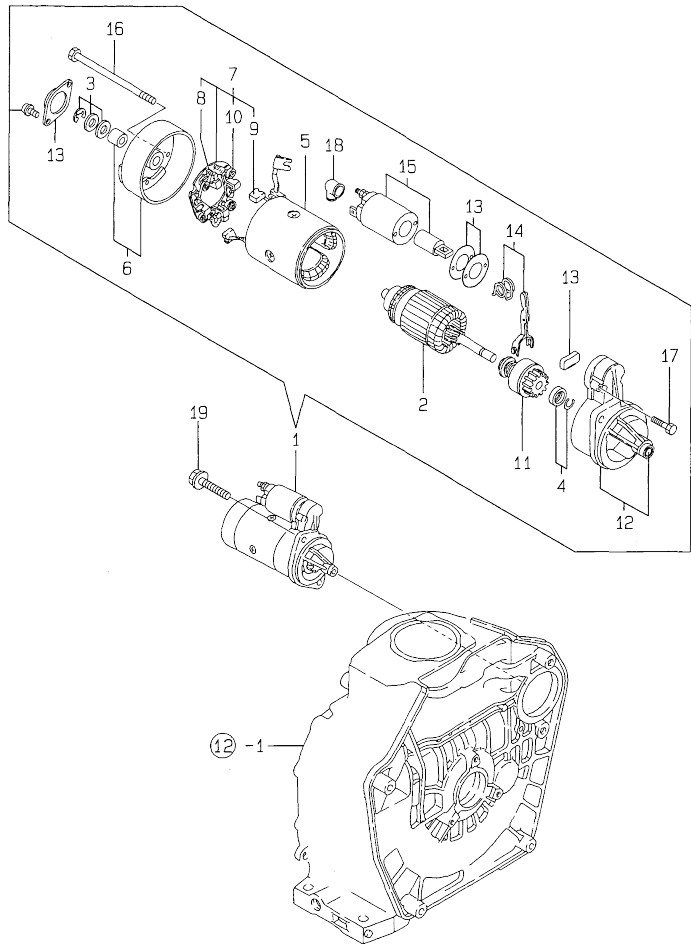


No.	Lev.	Parts No.	Description	Q'ty					
				(A)	(B)	(C)	(D)	(E)	(F)
1	1	714650-55701	TANK ASSY, FUEL	1					
3	2	114250-55041	CAP ASSY	1					
4	3	114250-55050	GASKET	1					
5	3	114250-55060	SEAL	1					
7	3	114250-55080	SEAT	1					
8	2	114250-55100	FILTER, FUEL	1					
9	2	114650-55150	GAUGE, LEVEL	1					
10	2	114250-55201	DAMPER, FUEL TANK	4					
11	2	124722-59050	CLIP, HOSE 9	2					
12	2	23414-120000	GASKET, 12X1.0	1					
13	2	23887-120002	PLUG, 12	1					
14	1	114250-55121	FILTER ASSY, FUEL	1					
15	2	114250-55130	GASKET	1					
16	1	114250-55211	STAY, FUEL TANK	1					
17	1	114650-55230	STAY, FUEL TANK	1					
18	1	114250-55300	COCK ASSY, FUEL	1					
19	2	24341-000150	O-RING, 1AS15.0	1					
20	1	114650-55810	BOLT	1					
21	1	22117-080000	WASHER, 8	1					
22	1	26106-080452	BOLT, M8X 45 PLATED	1					
23	1	26366-060002	NUT, M6	2					
24	1	26476-060142	SCREW, TAPPING M6X14	2					
25	1	106990-44660	CLIP, HOSE 12.5	2					
26	1	114250-59050	PIPE, FUEL L=46	1					
27	1	114652-59300	PIPE, FUEL RETURN	1					
28	2	124722-59050	CLIP, HOSE 9	2					
30	2	114652-59310	TUBE, PROTECT	1					
31	2	121750-59890	BAND, 140	1					

N:Old  $\frac{100}{100}$  New, Q:Old  $\frac{100}{100}$  New, R:Old  $\frac{100}{100}$  New, S:Old  $\frac{100}{100}$  New, W:Add, Z:Discontinued, F:Interchangeable by set, K:Q'ty Change  
 Copyright (C) YANMAR CO., LTD. All Rights Reserved.

Fig.21. STARTING MOTOR

21. STARTING MOTOR

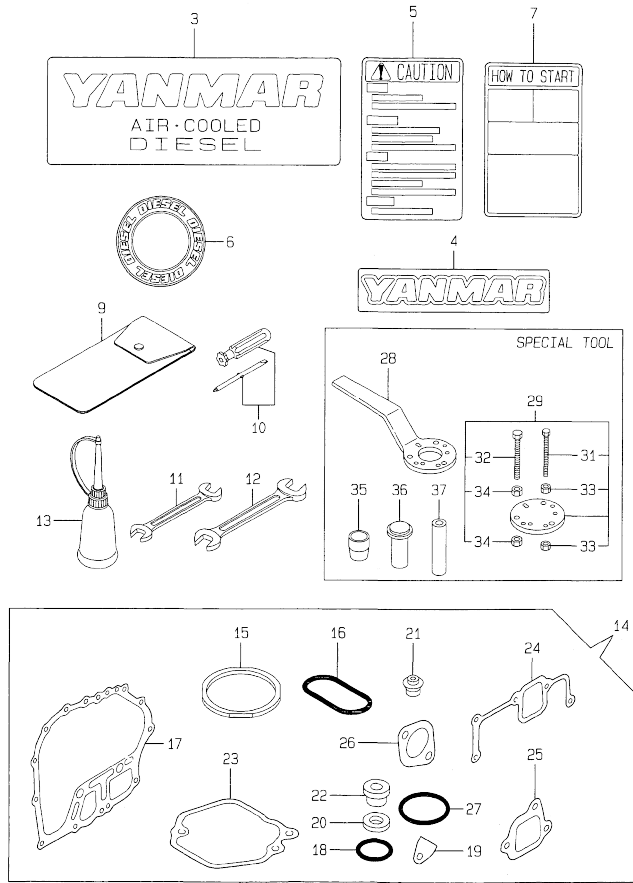


No.	Lev.	Parts No.	Description	Q'ty						
				(A)	(B)	(C)	(D)	(E)	(F)	
1	1	114362-77011	STARTER(HITACHI 12V		1					
2	2	114381-77110	ARMATURE		1					
3	2	X2114811000	WASHER KIT, THRUST		1					
4	2	X2114715500	STOPPER SET, PINION		1					
5	2	114381-77130	COIL ASSY, FIELD		1					
6	2	114381-77140	COVER, REAR		1					
7	2	114371-77160	HOLDER ASSY, BRUSH		1					
8	3	114371-79040	BRUSH (-)		2					
9	3	114371-79050	BRUSH (+)		1					
10	3	114371-79060	SPRING, BRUSH		4					
11	2	X2114455080	PINION ASSY		1					
12	2	114381-77150	HOUSING ASSY, GEAR		1					
13	2	114371-77170	COVER KIT, DUST		1					
14	2	X2114560130	LEVER KIT, SHIFT		1					
15	2	X2114275010	SWITCH ASSY, MAGNET		1					
16	2	X2114680050	BOLT, THROUGH		2					
17	2	114371-79070	BOLT M 6X 37		2					
18	2	X2114274200	COVER, TERMINAL		1					
19	1	26106-100302	BOLT, M10X 30 PLATED		2					

N:Old  $\frac{100}{100}$  New, Q:Old  $\frac{100}{100}$  New, R:Old  $\frac{100}{100}$  New, S:Old  $\frac{100}{100}$  New, W:Add, Z:Discontinued, F:Interchangeable by set, K:Q'ty Change  
 Copyright (C) YANMAR CO., LTD. All Rights Reserved.

Fig.22. TOOL,LABEL & GASKET SET

22.TOOL, LABEL & GASKET SET



Remarks  
(1) OPTIONAL PARTS.

No.	Lev.	Parts No.	Description	Q'ty						I	R	
				(A)	(B)	(C)	(D)	(E)	(F)			
3	1	114250-07090	LABEL, AIR COOLED		1							
4	1	114250-07111	LABEL, YANMAR		1							
5	1	114268-07240	LABEL, CAUTION		1							
6	1	114261-07350	LABEL		1							
7	1	114268-07350	LABEL, HOW TO START		1							
9	1	114250-92600	BAG, TOOL		1							
10	1	160330-92730	DRIVE, SCREW		1							
11	1	28110-100120	SPANNER, 10X12		1							
12	1	28110-140170	SPANNER, 14X17		1							
13	1	28210-000150	OILER		1							
14	1	714989-92600	GASKET SET		1							1
15	2	114970-01340	GASKET, HEAD		1							
16	2	114650-01380	O-RING		1							
17	2	114650-01412	GASKET, CRANK CASE		1							
18	2	24311-000180	O-RING, 1AP18.0		2							
19	2	114250-01841	GASKET		1							
20	2	22190-160002	WASHER, SEAL 16		2							
21	2	114650-11340	SEAL, VALVE STEM		2							
22	2	114250-11460	GASKET, NOZZLE		1							
23	2	114650-11311	GASKET, BONNET		1							
24	2	114650-12301	GASKET		1							
25	2	114650-12211	GASKET, AIR CLEANER		1							
26	2	114650-13201	GASKET, MUFFLER		1							
27	2	103338-32570	O-RING		1							
28	1	114250-92101	F.W. LOCKING HANDLE		1							1
29	1	114250-92130	REMOVER, FLYWHEEL		1							1
31	2	26116-060454	BOLT M 6X 45 PLATED		4							1
32	2	26116-080454	BOLT, M8X 45 PLATED		3							1
33	2	26716-060002	NUT, M6		8							1
34	2	26716-080002	NUT, M8		6							1
35	1	114668-92300	GUIDE, OIL SEAL		1							1
36	1	114650-92310	INSTALLING TOOL		1							1
37	1	114650-92350	INSTALLING TOOL		1							1

## Parts No. Index

Parts No.	Fig. No.	Ref. No.
101158-11180	2	9
102100-67080	6	35
	17	35
103338-32570	6	7
	11	27
	17	7
	22	27
103854-01221	5	20
104200-23201	16	41
104211-11370	13	14
	27	
105010-11490	2	16
		29
105025-01220	12	8
105225-01240	1	11
105425-01690	1	21
	12	21
105546-51020	8	2
	19	2
105546-51330	8	14
	19	13
106990-44660	9	25
	20	25
114250-01800	1	25
	12	25
114250-01830	1	30
	12	30
114250-01841	1	31
	11	19
	12	31
	22	19
114250-02030	1	39
	12	40
114250-03591	2	38
	13	36
114250-03640	2	41
	13	39
114250-07090	11	3
	22	3
114250-07111	11	4
	22	4
114250-11240	2	22
		27
	13	20
		25
114250-11290	2	12
114250-11311	2	35
	11	23
114250-11460	2	17
	11	22

Parts No.	Fig. No.	Ref. No.
114250-11460	13	15
	22	22
114250-11600	2	19
114250-11651	2	20
114250-11900	2	30
	13	28
114250-11951	2	36
114250-12211	3	1
	11	25
114250-12520	3	4
114250-12530	3	5
114250-12550	3	8
114250-12560	3	7
114250-12580	3	6
114250-13201	4	1
	11	26
114250-14200	5	6
114250-14260	5	7
	16	7
114250-21550	5	21
114250-23200	5	40
114250-23220	5	41
114250-23250	5	42
114250-32010	6	1
114250-32070	6	6
	17	6
114250-35070	6	10
	17	10
114250-35150	1	32
	12	32
114250-45300	7	7
114250-45310	18	7
	7	8
	18	8
114250-45330	7	9
114250-51080	8	3
	19	3
114250-51160	8	10
	19	9
114250-51300	8	11
114250-51340	8	15
	19	14
114250-51600	8	17
	19	16
114250-51640	8	18
	19	17
114250-51650	8	19
	19	18
114250-53080	8	26
	19	25

Parts No.	Fig. No.	Ref. No.
114250-53120	8	27
	19	26
114250-53130	8	28
	19	27
114250-53140	8	29
	19	28
114250-53210	8	30
	19	29
114250-53300	8	31
114250-53331	8	34
	19	33
114250-53400	8	35
	19	34
114250-55041	9	3
	20	3
114250-55050	9	4
	20	4
114250-55060	9	5
	20	5
114250-55080	9	7
	20	7
114250-55100	9	8
	20	8
114250-55121	9	14
	20	14
114250-55130	9	15
	20	15
114250-55201	9	10
	20	10
114250-55211	9	16
	20	16
114250-55300	9	18
	20	18
114250-59050	20	26
114250-59060	9	27
114250-66050	6	29
	17	29
114250-66200	6	43
	17	43
114250-66440	6	34
	17	34
114250-66550	6	44
114250-76600	7	27
114250-76610	7	28
114250-92101	11	28
	22	28
114250-92130	11	29
	22	29
114250-92600	11	9
	22	9

Parts No.	Fig. No.	Ref. No.
114252-12550	14	10
114252-12560	14	9
114252-66252	6	31
	17	31
114261-07350	11	6
	22	6
114268-07240	11	5
	22	5
114268-07350	11	7
	22	7
114268-59060	9	28
114268-66500	6	32
	17	32
114270-01600	1	33
	12	34
114270-61520	6	25
	17	25
114350-01200	1	8
114350-01210	1	9
114350-01220	1	10
114350-01250	1	12
114350-01380	1	14
	11	16
114350-01412	1	15
	11	17
114350-01700	1	6
	12	6
114350-02100	1	19
114350-02113	1	40
114350-02200	1	45
114350-02210	1	46
114350-11101	2	6
114350-11113	2	7
114350-11120	2	8
114350-11340	2	15
	11	21
114350-11470	2	18
	13	16
114350-12011	3	10
114350-12202	3	11
	11	24
114350-14450	5	8
114350-22301	5	35
114350-45320	7	2
	18	2
114350-45340	7	3
	18	3
114350-55150	9	9
114350-55231	9	17
114350-59800	8	42

## Parts No. Index

Parts No.	Fig. No.	Ref. No.
114350-76590	7	24
114350-76591	7	24 -1
114350-92311	11	36
114350-92350	11	37
114360-45101	7	6
114362-21600	5	25
114362-77011	10	1
	21	1
114368-01453	1	16
114368-92300	11	35
114370-45350	7	10
	18	10
114371-77160	10	7
	21	7
114371-77170	10	13
	21	13
114371-79040	10	8
	21	8
114371-79050	10	9
	21	9
114371-79060	10	10
	21	10
114371-79070	10	17
	21	17
114380-23100	5	45 A
114381-77110	10	2
	21	2
114381-77130	10	5
	21	5
114381-77140	10	6
	21	6
114381-77150	10	12
	21	12
114650-01230	12	9
114650-01240	12	10
114650-01250	12	11
114650-01260	12	12
114650-01380	12	14
	22	16
114650-01412	12	15
	22	17
114650-02100	12	19
114650-02150	12	41
114650-02200	12	46
114650-02210	12	47
114650-11010	13	1
114650-11100	13	6
114650-11121	13	8
114650-11261	13	12
114650-11311	13	33

Parts No.	Fig. No.	Ref. No.
114650-11311	22	23
114650-11340	13	13
	22	21
114650-11600	13	17
114650-11652	13	18
114650-11951	13	34
114650-12020	14	12
114650-12211	14	1
	22	25
114650-12301	14	13
	22	24
114650-12520	14	4
114650-12530	14	5
114650-12590	14	6
114650-13201	15	1
	22	26
114650-14200	16	6
114650-14401	16	8
114650-21551	16	21
114650-22300	16	35
114650-32010	17	1
114650-45201	18	1
114650-45330	18	9
114650-51300	19	10
114650-53000	19	22
114650-53300	19	30
114650-55150	20	9
114650-55230	20	17
114650-55810	9	20
	20	20
114650-59800	19	41
114650-59850	19	47
114650-66600	17	44
114650-76520	18	13
114650-76540	18	16
114650-76630	18	23
114650-76631	18	23 -1
114650-92310	22	36
114650-92350	22	37
114652-59300	20	27
114652-59310	20	30
114654-11110	13	7
114660-01471	12	16
114660-76050	18	11
114660-76051	18	11 -1
114660-76052	18	11 -2
114660-76250	18	12
114660-76251	18	12 -1
114660-76530	18	14
114660-76531	18	14 -1

Parts No.	Fig. No.	Ref. No.
114660-76590	18	27
114660-76591	18	27 -1
114660-76592	18	27 -2
114662-21592	16	22
114662-21601	16	25
114668-45102	18	6
114668-92300	22	35
114770-61190	6	28
	17	28
114770-61600	6	26
	17	26
114770-61610	6	27
	17	27
114870-01340	1	13
	11	15
114870-11021	2	1
114870-13551	4	2
114870-45201	7	1
114870-53000	8	23
114870-66010	6	42
114870-76530	7	15 -1
	18	15 -1
114870-76540	7	16 -1
	18	16 -1
114870-76560	7	17 -1
	18	18 -1
114870-76570	7	23 B
	18	19 -1
114870-76580	7	23 C
	18	26 B
114870-76620	7	20 -1
	18	22 -1
114870-76630	7	21 -1
114880-76050	7	11
114880-76051	7	11 -1
114880-76250	7	12
114880-76251	7	12 -1
114880-76510	7	13
114880-76511	7	13 -1
114880-76520	7	14 -1
	18	13 -1
114880-76550	7	23 A
	18	26 A
114881-21590	5	22
114970-01340	12	13
	22	15
114970-13550	15	2
114970-13560	15	4
114970-13700	15	5
114970-13710	15	6

Parts No.	Fig. No.	Ref. No.
114970-51100	19	4
114970-66010	17	42
118200-23200	5	40 -1
119620-11180	13	9
121750-59890	20	31
122710-01220	16	12
124060-23100	16	40
124550-51350	8	16
	19	15
124722-59050	9	11
	20	26
	20	11
		28
129792-22400	16	36
135210-61090	6	50
	17	50
160110-02220	1	41
		42
160260-01580	15	3
160330-92730	11	10
	22	10
160725-78350	6	36
	17	36
160810-76520	7	14
160810-76540	7	16
160810-76580	7	18
160810-76620	7	20
160810-76630	7	21
160840-76530	7	15
160840-76560	7	17
160910-01740	1	22
	12	22
160910-76530	18	15
160910-76550	18	17
160910-76560	18	18
160910-76570	18	19
160910-76580	18	20
160910-76620	18	22
160910-76650	18	24
181130-76680	7	22
181130-76700	7	23
183350-51200	8	4
183720-55210	7	4
	18	4
22117-080000	9	21
	20	21
22190-160002	1	38
	11	20
	12	39
	22	20

## Parts No. Index

Parts No.	Fig. No.	Ref. No.
22217-060000	18	25
22252-000210	5	36
22312-030080	5	43
22312-030160	2	43
	6	8
	13	41
	17	8
22322-030200	6	18
	17	18
	19	19
22351-020006	8	20
	19	19
22351-030008	8	21
	19	20
22351-040008	2	31
	13	29
22451-060000	6	51
	17	51
22512-040120	5	26
22512-050140	16	26
23414-120000	9	12
	20	12
23871-010000	1	47
	12	33
23887-120002	9	13
	20	13
24101-062024	5	51
24101-062034	16	49
24101-063034	16	50
24162-152112	1	43
	12	42
24311-000180	1	24
	11	18
	12	24
	22	18
24341-000150	9	19
	20	19
24341-000224	6	11
	17	11
24423-355008	12	43
	44	44
26106-060082	7	25
	18	28
26106-060122	4	8
	7	26
	18	29
	29	-1
26106-060162	6	12
	17	12

Parts No.	Fig. No.	Ref. No.
26106-060202	6	37
	17	37
26106-060252	3	12
	14	14
26106-060552	2	46
26106-060702	13	44
26106-080122	1	44
	12	45
26106-080182	15	7
26106-080352	1	34
	12	35
26106-080452	2	32
	9	22
	20	22
26106-100122	1	7
	12	7
26106-100302	10	19
	21	19
26106-100552	13	30
26116-060454	11	31
	22	31
26116-080454	11	32
	22	32
26117-040088	6	38
	17	38
26216-080182	4	9
26226-060142	3	13
	14	15
26226-060182	1	35
	12	36
26226-060222	1	36
	12	37
26226-060502	2	33
	13	31
26226-060552	3	14
26226-060752	14	16
26226-080202	15	8
26347-060002	6	39
	17	39
26366-060002	1	37
	2	34
	3	9
	9	23
	12	38
	13	32
	14	11
	20	23
26366-080002	4	10
	15	9
26476-060142	6	9

Parts No.	Fig. No.	Ref. No.
26476-060142	6	40
	9	24
	17	9
	40	40
	20	24
26476-060202	7	5
	18	5
26696-100002	6	49
	17	49
26716-060002	11	33
	22	33
26716-080002	11	34
	22	34
26717-060002	18	26
26756-060002	2	23
	28	28
	13	21
	26	26
26757-060002	6	41
	17	41
27310-060001	2	10
27310-070001	13	10
28110-100120	11	11
	22	11
28110-140170	11	12
	22	12
28210-000150	11	13
	22	13
714250-12560	3	2
714350-23600	5	44
714350-23610	5	64
714350-23620	5	66
714350-23704	5	37
714350-28520	5	46
714350-55711	9	1
714350-61500	6	13
714368-21740	5	12 -1
714370-11660	2	24
714380-23600	5	44 -1
714380-23610	5	64 -1
714380-23620	5	66 -1
714380-23700	5	37 -1
714388-21730	5	12
714650-12560	14	2
714650-23600	16	42
714650-23610	16	65
714650-23620	16	67
714650-23700	16	37
714650-53100	19	21
714650-55701	20	1

Parts No.	Fig. No.	Ref. No.
714650-61500	17	13
714670-11660	13	22
714685-61700	17	20
714689-14580	16	1
714689-21730	16	13
714770-61700	6	20
714870-22500	5	29
714870-22540	5	54
714870-22550	5	60
714870-28510	5	46 -1
714870-53100	8	22
714871-01560	1	1
714880-14580	5	1
714880-22580	5	58
714880-22620	5	52
714880-22720	5	27
714888-92600	11	14
714970-01560	12	1
714970-22500	16	29
714970-22540	16	53
714970-22550	16	61
714970-28511	16	44
714970-51700	19	1
714980-22580	16	59
714980-22620	16	51
714980-22720	16	27
714989-92600	22	14
783350-51701	8	1
X2114274200	10	18
	21	18
X2114275010	10	15
	21	15
X2114455080	10	11
	21	11
X2114560130	10	14
	21	14
X2114680050	10	16
	21	16
X2114715500	10	4
	21	4
X2114811000	10	3
	21	3