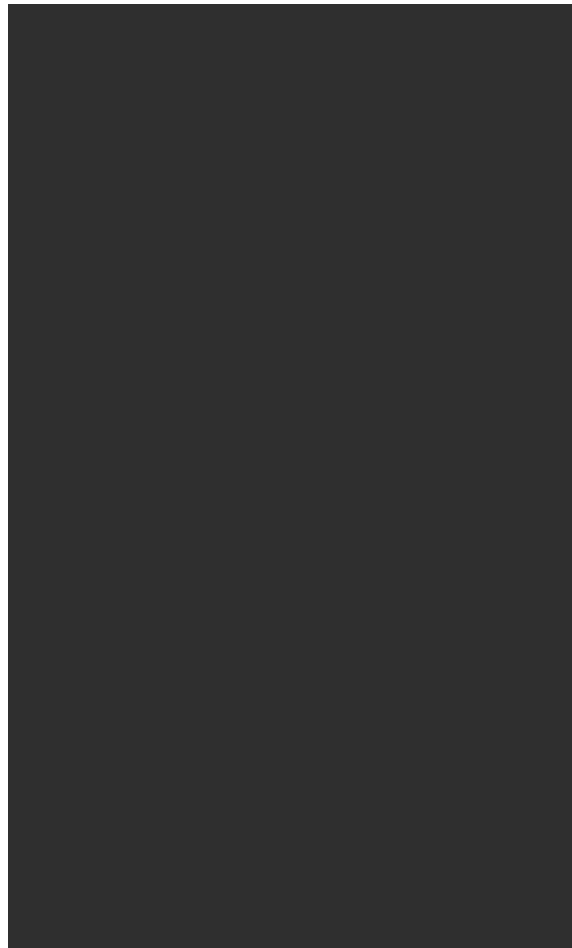


OCR10-M72500EN



Introduction

1. This parts catalog is a first edition of the L100AE-DEGLE8YC Diesel engine for PRAMAC.

	Parts catalog No.	Date of issue	Remarks
First edition	000Y00R7250	Apr., 2008	

2. This parts catalog does not contain the technical data needed for maintenance service.
3. The illustrations used in this parts catalog have been simplified for clarity.
4. The contents of this parts catalog are subject to change without notice.
5. Be sure to use only Yanmar genuine parts for repairs. If imitation parts are used, it may cause engine defects.

Directions for the Parts Catalog.

- 1.The parts stipulated in this Parts Catalog are not necessarily standard equipped parts.
- 2.Parts may change without prior notice.
- 3.The following is an example of the Parts Catalog format.

0CF10-G21601 29. FUEL INJECTION PUMP(W/BOOST)

REF.	LEV.	PARTS NO.	DESCRIPTION	(A)	(B)	(C)	(D)	(E)	(F)	Q'TY	I	R
1		729595-51390	FUEL INJECTION PUMP									
1-1		729595-51391	FUEL INJECTION PUMP								N	
3		26022-060162	SCREW M 6X 16		9	9	9	9	9			
3-1		26022-060162	SCREW M 6X 16		4	4	4	4	4		K	
4		129470-51040	CAMSHAFT		1	1	1	1	1			
5		122710-51050	BEARING, ROLLER		2	2	2	2	2			
6		129470-51060	RETAINER		1	1	1	1	1			

Remarks
 (1) BOOST COMPENSATOR TYPE. OPTIONAL PART, TO E00155,(4JH-DT, 4JH-DTZ)

① Ref. No.

The Ref. No. listed may not be in accordance with the illustration Ref. No.
 (Ex.) Illustration No. List Ref No.
 1 1 (Before change) → 1-1 (After change)
 For interchangeable symbols N, R and K, illustrations for new parts may be abbreviated.

② Lev. (Level)

Level indication
 The numbers below indicate the level of relativity towards the main part.
 1 ---- Main parts (Assembly parts)
 2 ---- Sub component included in " 1 ".
 3 ---- Sub component included in " 2 ".
 Note) Parts that are not for sale are partially illustrated but not listed.

③ Interchangeability Mark

When a part change takes place, one of the following interchangeability symbols is indicated beside the part.

Symbol	Interchangeability	Contents note
N	Old ← $\begin{matrix} \text{Yes} \\ \text{No} \end{matrix}$ → New	New Part is interchangeable for Old Part but Old Part is not interchangeable for New Part.
Q	Old ← $\begin{matrix} \text{No} \\ \text{Yes} \end{matrix}$ → New	New Part is not interchangeable for Old Part but Old Part is interchangeable for New Part.
R	Old ← $\begin{matrix} \text{Yes} \\ \text{Yes} \end{matrix}$ → New	New/ Old Parts are both interchangeable.
S	Old ← $\begin{matrix} \text{No} \\ \text{No} \end{matrix}$ → New	New/ Old Parts are both not interchangeable.
W		Part newly added.
Z		Part discontinued.
F		Not interchangeable by a single part but interchangeable together with related parts.
K		Changes only for used parts quantities.

④ Effective Machine No.

When a part changes, the effective Machine No. will be indicated in the (A)-(F) column.

Product Symbol	Product No.	Product Symbol	Product No.
C	Clutch No. Compressor No.	F	Machine No. (Agricultural Equip.)
D	Drive No.	M	Machine No.
E	Engine No.		

- Note 1) A date may follow the symbol. (Ex.) 1996.01
 Note 2) "XXXXX" and "ZZZZZ" are for parts that could not be predicted or for engine models that could not be identified.
 Note 3) (A=E00185) is the E (Engine Serial Number) for the column (A) model (in this case 4JH-DT) after the parts design change.

⑤ Remarks Mark

Figures or alphabets (symbols) are entered in the remarks column.
 The comments (remarks) on parts that are indicated at the bottom of the illustration are the same symbols as those stated above.

Contents

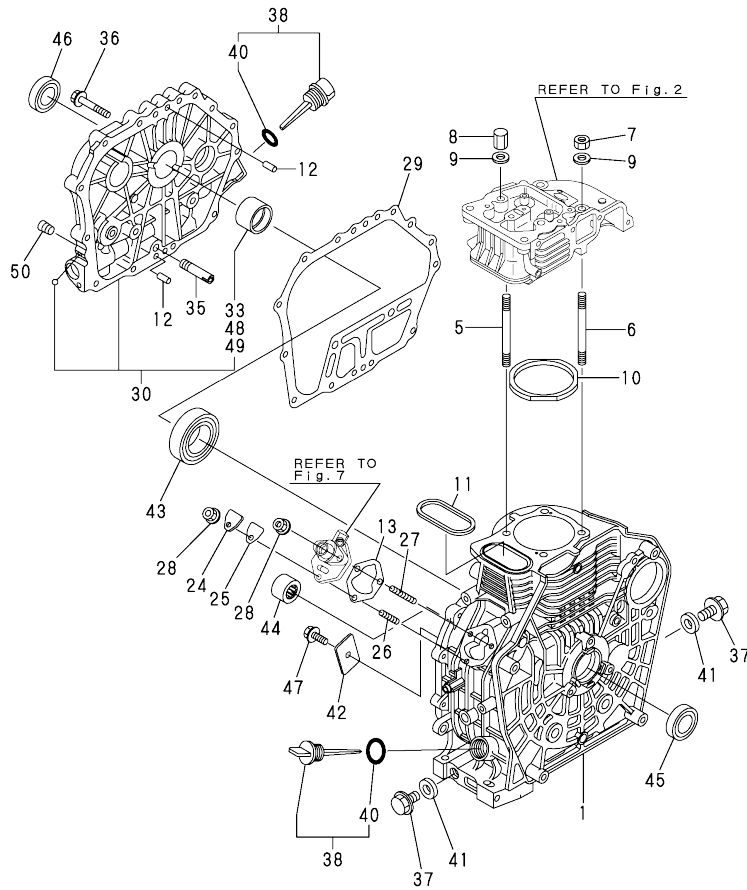
Fig. No. Fig. Name

L100AE-DEGLE8YC

1. CYLINDER BLOCK
2. CYLINDER HEAD & BONNET
3. AIR CLEANER
4. CRANKSHAFT, PISTON & CAMSHAFT
5. LUB.OIL PUMP & GOVERNOR
6. COOLING & STARTING DEVICE
7. FUEL INJECTION PUMP & FUEL INJECTION VALVE
8. STARTING MOTOR & DYNAMO
9. TOOL, LABEL & GASKET SET

Fig. No. Fig. Name

Fig.1. CYLINDER BLOCK



(A)=L100AE-DEGLE8YC

(B)=

(C)=

(D)=

(E)=

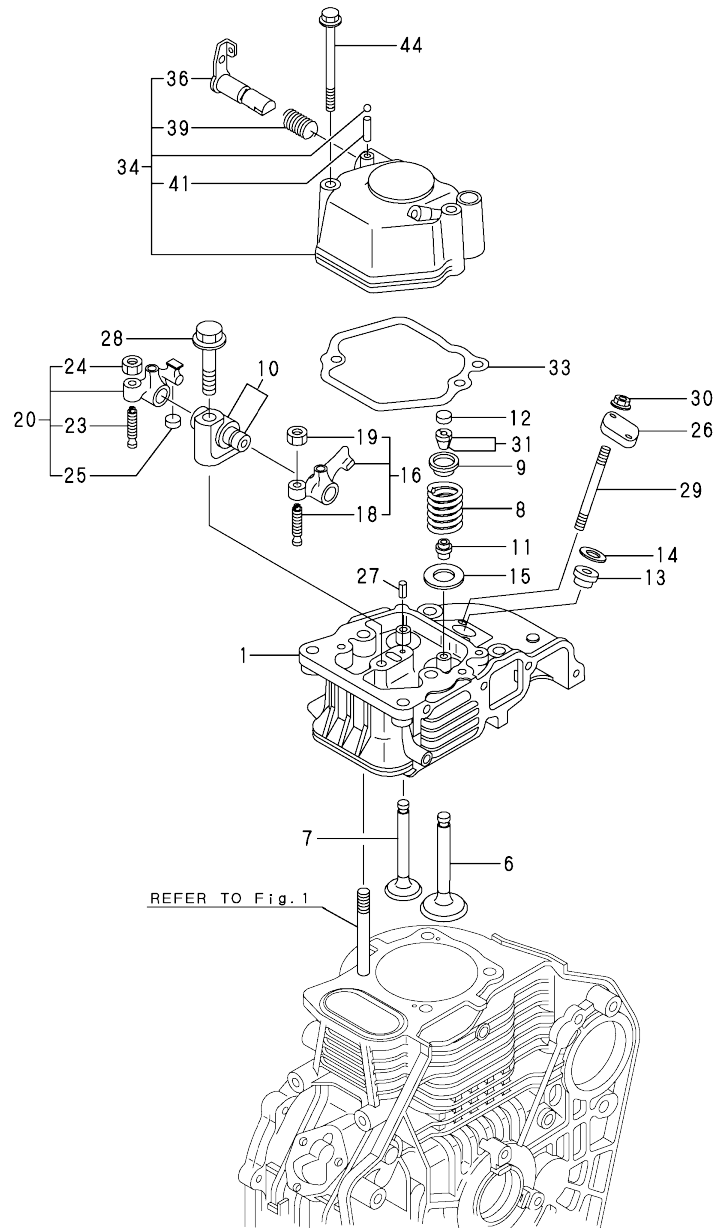
(F)=

No.	Lev.	Parts No.	Description	Q'ty						I	R
				(A)	(B)	(C)	(D)	(E)	(F)		
1	1	114699-01050	BLOCK ASSY, CYLINDER	1							
5	1	114699-01200	BOLT, HEAD	2							
6	1	114699-01210	BOLT, HEAD	2							
7	1	114699-01220	NUT, CYLINDER HEAD A	2							
8	1	114699-01230	NUT, CYLINDER HEAD B	2							
9	1	114699-01250	WASHER	4							
10	1	114699-01330	GASKET, HEAD	1							
11	1	114699-01380	O-RING	1							
12	1	114299-01600	PIN, 8X12	2							
13	1	114299-01800	SHIM SET	1							
24	1	114299-01830	COVER	1							
25	1	114250-01841	GASKET	1							
26	1	26226-060182	STUD, M6X 18	1							
27	1	26226-060222	STUD, M6X 22	2							
28	1	26366-060002	NUT, M6	3							
29	1	114699-01410	GASKET, CRANK CASE	1							
30	1	114699-01450	COVER, CRANK CASE	1							
33	2	114650-02100	BEARING, MAIN	1							1
35	1	114299-35150	PIPE, OIL INLET	1							
36	1	26106-080352	BOLT, M8X 35 PLATED	16							
37	1	114299-01690	PLUG M16	2							
38	1	114699-01760	CAP ASSY	2							
40	2	114299-01950	O-RING, 18	2							
41	1	22190-160002	WASHER, SEAL 16	2							
42	1	114299-02030	RETAINER, BEARING	1							
43	1	114650-02150	BEARING, HR6308G3C3	1							
44	1	24162-152112	BEARING, 152112	1							
45	1	24423-355008	SEAL, OIL TC355008	1							
46	1	24423-355008	SEAL, OIL TC355008	1							
47	1	26106-080122	BOLT, M8X 12 PLATED	1							
48	1	114650-02200	BEARING, 0.25 US	1							2
49	1	114650-02210	BEARING, 0.50 US	1							3
50	1	23876-010000	PLUG, R01	1							

Remarks

- (1)REPAIR PART.
- (2)UNDER SIZED(U.S.=0.25)PART.
- (3)UNDER SIZED(U.S.=0.50)PART.

Fig.2. CYLINDER HEAD & BONNET



(A)=L100AE-DEGLE8YC

(B)=

(C)=

(D)=

(E)=

(F)=

No.	Lev.	Parts No.	Description	Q'ty						I	R
				(A)	(B)	(C)	(D)	(E)	(F)		
1	1	114650-11011	HEAD ASSY, CYLINDER	1							
6	1	114699-11100	VALVE, INTAKE	1							
7	1	114699-11110	VALVE, EXHAUST	1							
8	1	114699-11120	SPRING, VALVE	2							
9	1	119620-11180	RETAINER, SPRING	2							
10	1	114650-11261	SUPPORT, ROCKER ARM	1							
11	1	114650-11340	SEAL, VALVE STEM	2							
12	1	104211-11370	CAP, VALVE	1							
13	1	114250-11460	GASKET, NOZZLE	1							
14	1	114350-11470	SPACER, NOZZLE	1							
15	1	114699-11600	WASHER	2							
16	1	114650-11652	ARM, ROCKER	1							
18	2	114250-11240	SCREW, VALVE ADJUST	1							
19	2	26856-060002	NUT, M6	1							
20	1	714670-11660	ARM ASSY, ROCKER	1							
23	3	114250-11240	SCREW, VALVE ADJUST	1							
24	3	26856-060002	NUT, M6	1							
25	2	104211-11370	CAP, VALVE	1							
26	1	114299-11901	RETAINER, NOZZLE	1							
27	1	22351-040008	PIN, SPRING 4.0X 8	1							
28	1	26106-100552	BOLT, M10X 55 PLATED	1							
29	1	26226-060502	STUD, M6X 50	2							
30	1	26366-060002	NUT, M6	2							
31	1	27310-070001	COTTER, 7	2							
33	1	114699-11320	GASKET, BONNET	1							
34	1	114699-11950	BONNET ASSY, HEAD	1							
36	2	114250-03591	LEVER ASSY	1							
39	2	114299-03640	SPRING, DECOMPRESSION	1							
41	2	22312-030160	PIN, PARALLEL M3X16	1							
44	1	26106-060702	BOLT, M6X 70 PLATED	2							

Fig.3. AIR CLEANER

(A)=L100AE-DEGLE8YC

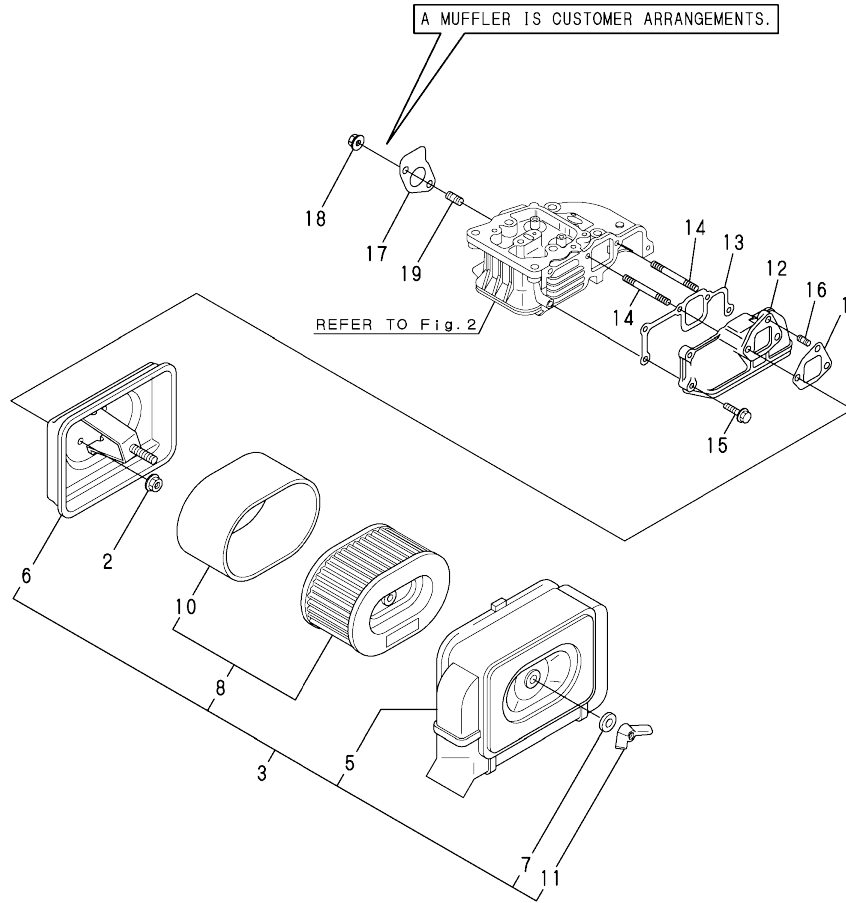
(B)=

(C)=

(D)=

(E)=

(F)=



No.	Lev.	Parts No.	Description	Q'ty						I	R
				(A)	(B)	(C)	(D)	(E)	(F)		
1	1	114699-12210	GASKET, AIR CLEANER	1							
2	1	114299-12300	NUT	3							
3	1	783671-12560	CLEANER ASSY, AIR	1							
5	2	183671-12520	COVER ASSY, CLEANER	1							
6	2	114980-12530	CASE ASSY, CLEANER	1							
7	2	114252-12560	WASHER, SEAL M8	1							
8	2	114650-12590	ELEMENT ASSY	1							
10	3	114650-12550	FILTER, PRE	1							
11	2	114252-12550	NUT, WING M8	1							
12	1	114699-12020	PIPE, AIR INTAKE	1							
13	1	114699-12200	GASKET	1							
14	1	114310-45360	STUD BOLT, TOP COVER	2							
15	1	26106-060252	BOLT, M6X 25 PLATED	3							
16	1	26226-060142	STUD, M6X 14	1							
17	1	114699-13200	GASKET, MUFFLER	1							
18	1	26366-080002	NUT, M8	2							
19	1	26216-080182	STUD, M8X 18	2							

Fig.4. CRANKSHAFT, PISTON & CAMSHAFT

(A)=L100AE-DEGLE8YC

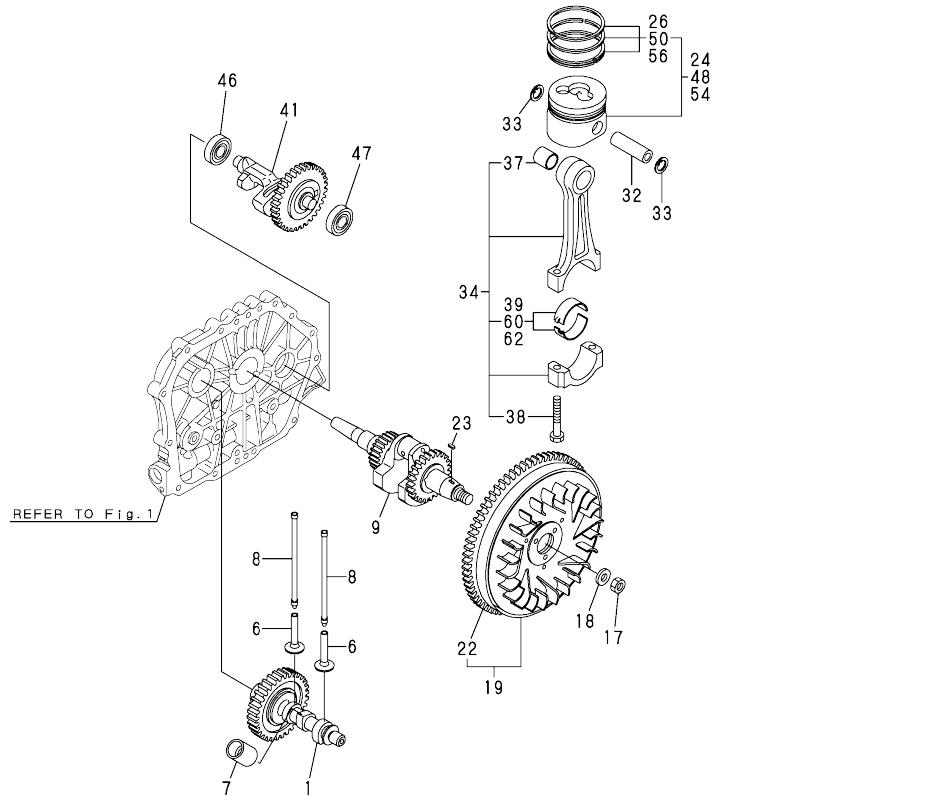
(B)=

(C)=

(D)=

(E)=

(F)=

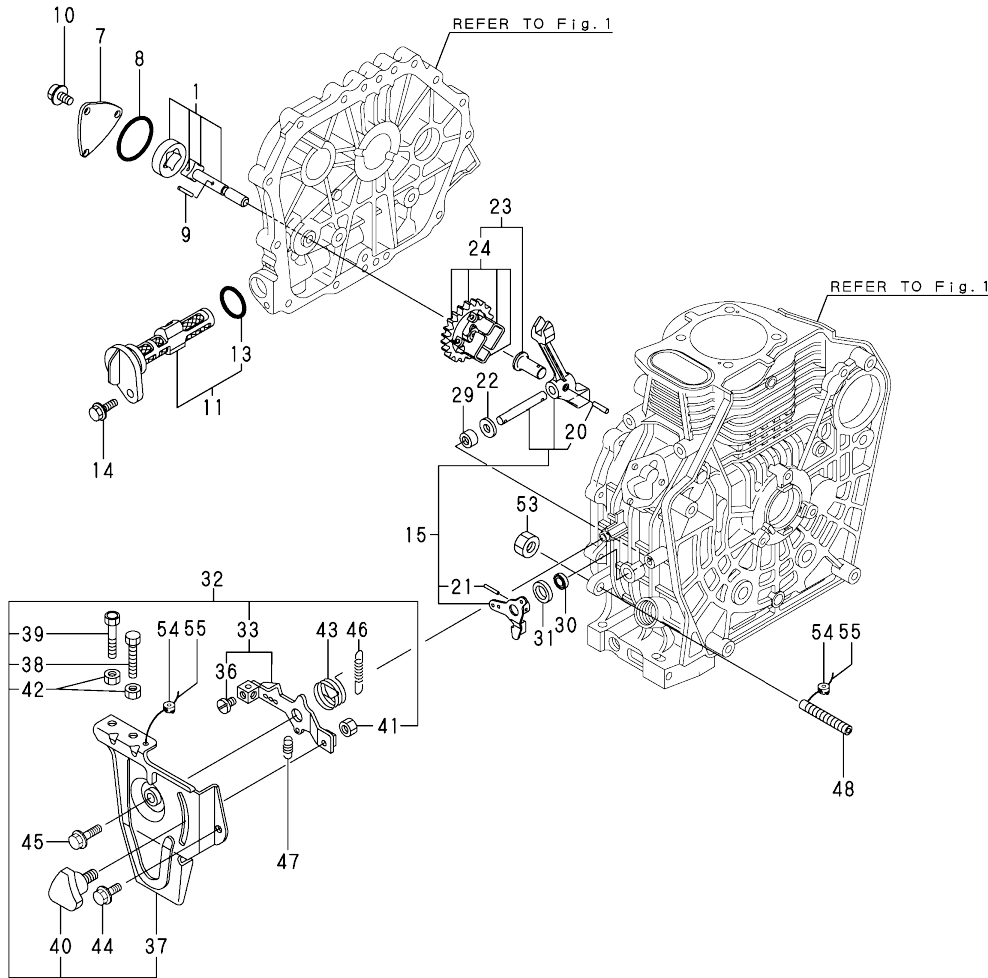


No.	Lev.	Parts No.	Description	Q'ty						I	R
				(A)	(B)	(C)	(D)	(E)	(F)		
1	1	714699-14580	CAMSHAFT ASSY	1							
6	1	114699-14200	TAPPET	2							
7	1	114771-14260	TAPPET	1							
8	1	114650-14402	ROD ASSY, PUSH	2							
9	1	714689-21730	CRANKSHAFT ASSY	1							
17	1	114699-21220	NUT	1							
18	1	114699-21550	WASHER	1							
19	1	114699-21600	FLYWHEEL ASSY, DE	1							
22	2	114699-21630	RING, GEAR	1							
23	1	22512-050140	KEY, 5X 14	1							
24	1	714980-22721	PISTON ASSY, D	1							
26	2	714970-22500	RING SET, PISTON	1							
32	1	114699-22300	PIN, PISTON D=23	1							
33	1	129792-22400	CIRCLIP, 23	2							
34	1	714699-23700	ROD ASSY, CONNECTING	1							
37	2	124060-23100	BEARING, PISTON PIN	1							
38	2	105300-23200	BOLT, CONNECTING ROD	2							
39	2	714650-23600	BEARING, CRANK PIN	1							
41	1	714970-28511	SHAFT ASSY, BALANCER	1							
46	1	24101-062030	BEARING, BALL 6203C3	1							
47	1	24101-063030	BEARING, BALL 6303C3	1							
48	1	714980-22621	PISTON ASSY, 0.25 OS	1							1
50	2	714970-22540	RING SET, 0.25 OS	1							1
54	1	714980-22581	PISTON ASSY, 0.50 OS	1							2
56	2	714970-22550	RING SET, 0.50 OS	1							2
60	1	714650-23610	BEARING ASSY, 0.25	1							3
62	1	714650-23620	BEARING, 0.50 US	1							4

Remarks

- (1)OVER SIZED(O.S.=0.25)PART.
- (2)OVER SIZED(O.S.=0.50)PART.
- (3)UNDER SIZED(U.S.=0.25)PART.
- (4)UNDER SIZED(U.S.=0.50)PART.

Fig.5. LUB.OIL PUMP & GOVERNOR



(A)=L100AE-DEGLE8YC

(B)=

(C)=

(D)=

(E)=

(F)=

No.	Lev.	Parts No.	Description	Q'ty						I	R
				(A)	(B)	(C)	(D)	(E)	(F)		
1	1	114650-32010	PUMP ASSY, OIL	1							
7	1	114299-32070	COVER	1							
8	1	114299-32570	O-RING	1							
9	1	22312-030160	PIN, PARALLEL M3X16	1							
10	1	26106-060122	BOLT, M6X 12 PLATED	3							
11	1	114299-35110	FILTER ASSY, OIL	1							
13	2	24341-000224	O-RING, 1AS22.4	1							
14	1	26106-060162	BOLT, M6X 16 PLATED	1							
15	1	714699-61500	LEVER ASSY, GOVERNOR	1							
20	3	22322-030200	PIN, TAPER 3X20	1							
21	2	22322-030200	PIN, TAPER 3X20	1							
22	1	114299-61190	WASHER	1							
23	1	714699-61701	GOVERNOR ASSY	1							
24	2	114699-61210	WEIGHT ASSY,GOVERNOR	1							
29	1	114270-61520	BEARING, NEEDLE 8	2							
30	1	114299-61600	SEAL, OIL	1							
31	1	114770-61610	WASHER, THRUST	1							
32	1	714299-66100	SPEED CTRL, THAI	1							
33	2	114299-66060	HANDLE ASSY	1							
36	3	26117-050089	BOLT, M5X 8 PLATED	1							
37	2	114299-66101	BRACKET	1							
38	2	114299-66440	BOLT, ADJUSTING	1							
39	2	114299-67080	BOLT, ADJUSTING	1							
40	2	160725-78350	KNOB	1							
41	2	26347-060002	NUT, M6	1							
42	2	26757-060002	NUT, LOCK M6	2							
43	1	114299-66250	SPRING, RETURN	1							
44	1	26106-060142	BOLT, M6X 14 PLATED	1							
45	1	26106-060202	BOLT, M6X 20 PLATED	1							
46	1	114699-66010	SPRING, REGULATOR	1							
47	1	114299-66200	SPRING, RETURN	1							
48	1	114650-66600	LIMITER ASSY, FUEL	1							
53	1	26776-100002	NUT, LOCK M10	1							
54	1	114780-61090	TIN	2							
55	1	22451-060000	WIRE, 0.6	2							

Fig.6. COOLING & STARTING DEVICE

(A)=L100AE-DEGLE8YC

(B)=

(C)=

(D)=

(E)=

(F)=

No.	Lev.	Parts No.	Description	Q'ty						I	R
				(A)	(B)	(C)	(D)	(E)	(F)		
1	1	114699-45210	COVER	1							
2	1	114299-45220	GROMMET	1							
3	1	114399-45320	RUBBER, SEAL	1							
4	1	114399-45340	COLLAR	1							
5	1	26106-060202	BOLT, M6X 20 PLATED	1							
6	1	114699-45100	CASE, COOLING FAN	1							
7	1	114299-45301	RUBBER, CUSHION	4							
8	1	114299-45310	COLLAR	4							
9	1	114699-45330	SEAL, FAN CASE	1							
10	1	114299-45350	BOLT, FAN CASE	4							
12	1	114699-76251	RECOIL ASSY	1							
13	2	114699-76510	CASE, STARTER	1							
14	2	114699-76521	REEL, RECOIL	1							
16	2	114699-76531	RATCHET	2							
17	2	114399-76540	SPRING, SPIRAL	1							
18	2	114699-76551	GUIDE, RATCHET	1							
19	2	114699-76560	SPRING, FRICTION	1							
20	2	114399-76620	KNOB, STARTER	1							
21	2	114699-76630	ROPE, STARTER	1							
22	2	114699-76650	SPRING, RETURN	1							
23	2	114699-76660	CIRCLIP	1							
24	2	114699-76670	WASHER	1							
25	2	114699-76680	WASHER	1							
26	1	114699-76592	PULLEY, STARTER	1							
27	1	26106-060082	BOLT, M6X 8 PLATED	4							
28	1	26106-060122	BOLT, M6X 12 PLATED	3							

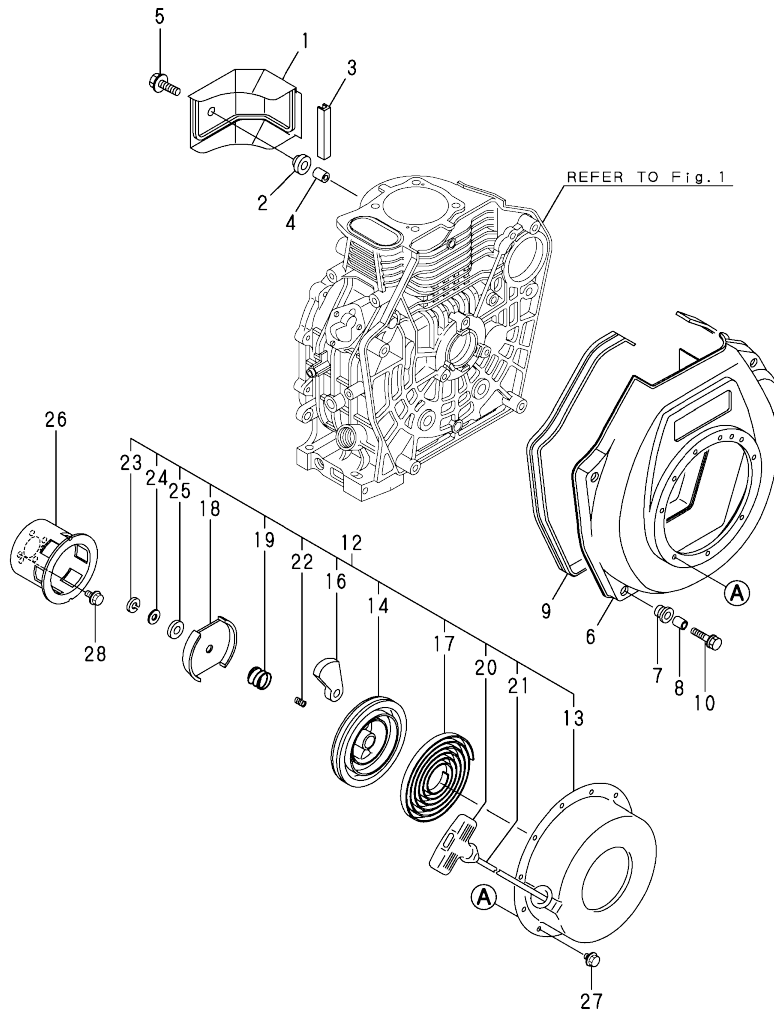
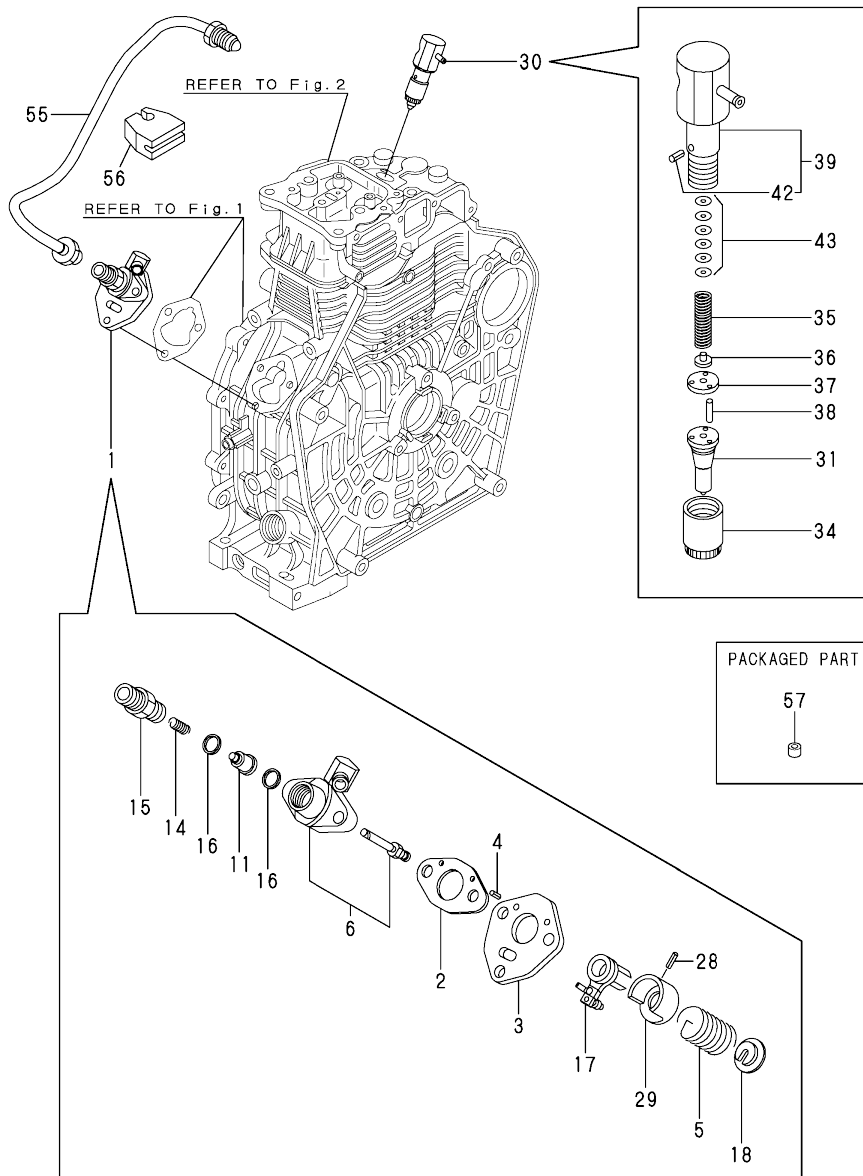


Fig.7. FUEL INJECTION PUMP & FUEL INJECTION VALVE



(A)=L100AE-DEGLE8YC

(B)=

(C)=

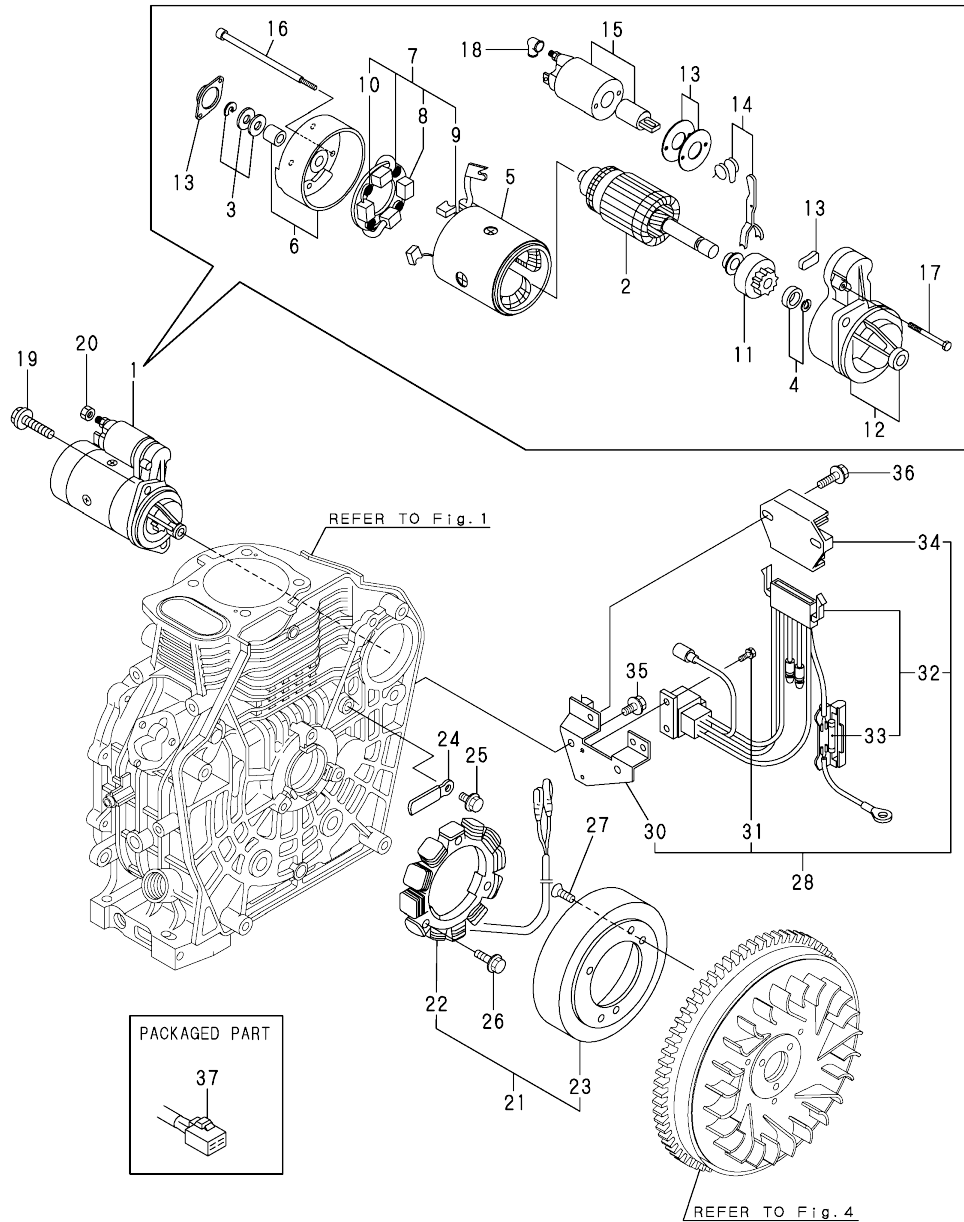
(D)=

(E)=

(F)=

No.	Lev.	Parts No.	Description	Q'ty						I	R
				(A)	(B)	(C)	(D)	(E)	(F)		
1	1	714699-51600	PUMP ASSY, F.INJECT.	1							
2	2	114299-51020	GASKET, PUMP BODY	1							
3	2	114299-51080	PLATE	1							
4	2	114299-51090	PIN, 2.0A X 6	2							
5	2	114299-51160	SPRING, PLUNGER	1							
6	2	114699-51220	BODY ASSY, PUMP	1							
11	2	114699-51300	VALVE ASSY, DELIVERY	1							
14	2	114299-51330	SPRING, VALVE	1							
15	2	114299-51340	HOLDER, DELIVERY	1							
16	2	114299-51350	PACKING, DELIVERY	2							
17	2	114299-51600	LEVER, CONTROL	1							
18	2	114299-51610	SEAT ASSY (B, SPRING	1							
28	2	114299-51630	PIN, 2.5A X 8	1							
29	2	114299-51640	SEAT, SPRING	1							
30	1	714650-53100	VALVE ASSY,INJECTION	1							
31	2	114650-53000	VALVE ASSY,INJECTION	1							
34	2	114250-53080	NUT, NOZZLE D16.95	1							
35	2	114250-53120	SPRING, NOZZLE	1							
36	2	114250-53130	SEAT, SPRING	1							
37	2	114250-53140	PLATE	1							
38	2	114250-53210	PIN	2							
39	2	114650-53300	HOLDER ASSY, NOZZLE	1							
42	3	114250-53331	PIN	1							
43	2	114250-53400	SHIM SET	1							
55	1	114650-59801	PIPE ASSY, INJECTION	1							
56	1	114699-59850	SUPPORT, PIPE	1							
57	1	114299-59850	ORIFICE	1							

Fig.8. STARTING MOTOR & DYNAMO



(A)=L100AE-DEGLE8YC

(B)=

(C)=

(D)=

(E)=

(F)=

No.	Lev.	Parts No.	Description	Q'ty						I	R
				(A)	(B)	(C)	(D)	(E)	(F)		
1	1	114362-77011	STARTER(HITACHI 12V	1							
2	2	114381-77110	ARMATURE	1							
3	2	X2114811000	WASHER KIT, THRUST	1							
4	2	X2114715500	STOPPER SET, PINION	1							
5	2	114381-77130	COIL ASSY, FIELD	1							
6	2	114381-77140	COVER, REAR	1							
7	2	114371-77160	HOLDER ASSY, BRUSH	1							
8	3	114371-79040	BRUSH (-)	2							
9	3	114371-79050	BRUSH (+)	1							
10	3	114371-79060	SPRING, BRUSH	4							
11	2	X211485016	PINION ASSY	1							
12	2	114381-77151	HOUSING ASSY, GEAR	1							
13	2	114371-77170	COVER KIT, DUST	1							
14	2	114371-77180	LEVER KIT, SHIFT	1							
15	2	124298-77020	SWITCH, MAGNETIC	1							
16	2	124195-77770	THROUGH BOLT	2							
17	2	114371-79070	BOLT M 6X 37	2							
18	2	X2114274200	COVER, TERMINAL	1							
19	1	26106-100302	BOLT, M10X 30 PLATED	2							
20	1	26716-080002	NUT, M8	1							
21	1	114399-78260	DYNAMO ASSY	1							
22	2	114399-78730	STATOR ASSY	1							
23	2	114399-78740	WHEEL, DYNAMO	1							
24	1	160710-78710	CLAMP, CORD	1							
25	1	26106-060122	BOLT, M6X 12 PLATED	1							
26	1	26106-060202	BOLT, M6X 20 PLATED	3							
27	1	26577-060142	SCREW M 6X 14	3							
28	1	114399-77550	REG. & HARNESS ASSY	1							
30	3	114399-77400	BRACKET, HARNESS	1							
31	3	26023-040102	SCREW, M4X10	2							
32	3	114399-77540	HARNESS, WIRE	1							
33	4	114399-78000	FUSE(20A	2							
34	2	114399-77710	REGULATOR	1							
35	1	26106-060122	BOLT, M6X 12 PLATED	2							
36	1	26106-060202	BOLT, M6X 20 PLATED	2							
37	1	114351-77520	COUPLER	1							

Fig.9. TOOL, LABEL & GASKET SET

(A)=L100AE-DEGLE8YC

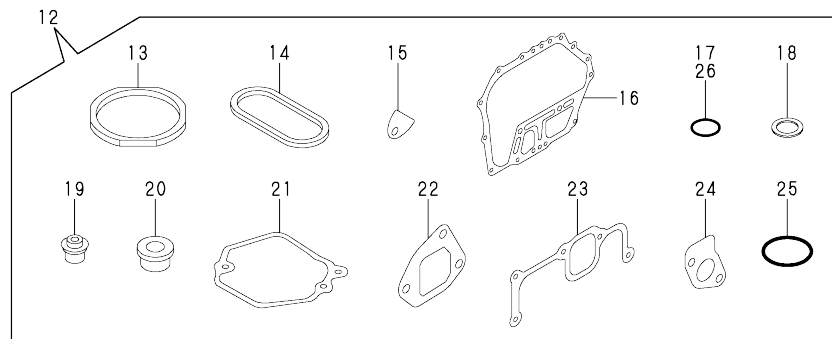
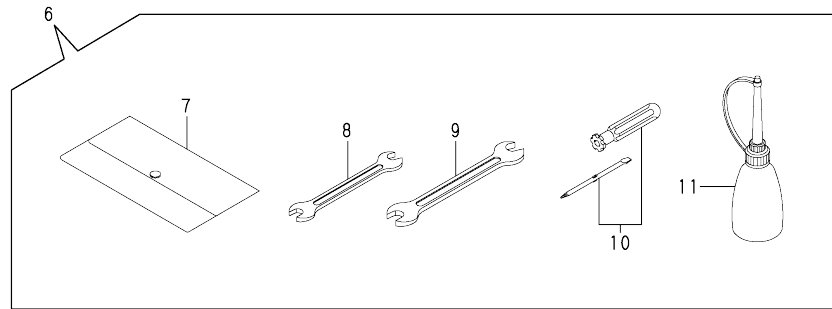
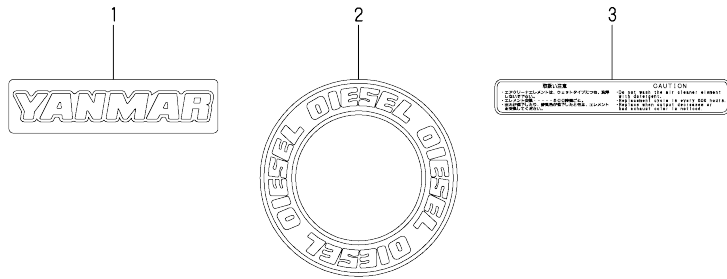
(B)=

(C)=

(D)=

(E)=

(F)=



No.	Lev.	Parts No.	Description	Q'ty						I	R
				(A)	(B)	(C)	(D)	(E)	(F)		
1	1	114299-07110	LABEL, YANMAR	1							
2	1	114299-07160	LABEL, DIESEL	1							
3	1	114650-07450	LABEL, AIR CLEANER	1							
6	1	114299-92590	BOX, TOOL	1							
7	2	114299-92600	BAG, TOOL	1							
8	2	114299-92710	WRENCH	1							
9	2	114299-92720	WRENCH	1							
10	2	114299-92730	DRIVER	1							
11	2	114299-92740	DIPSTICK	1							
12	1	714999-92600	GASKET SET	1							1
13	2	114699-01330	GASKET, HEAD	1							
14	2	114699-01380	O-RING	1							
15	2	114250-01841	GASKET	1							
16	2	114699-01410	GASKET, CRANK CASE	1							
17	2	114299-01950	O-RING, 18	2							
18	2	22190-160002	WASHER, SEAL 16	2							
19	2	114650-11340	SEAL, VALVE STEM	2							
20	2	114250-11460	GASKET, NOZZLE	1							
21	2	114699-11320	GASKET, BONNET	1							
22	2	114699-12210	GASKET, AIR CLEANER	1							
23	2	114699-12200	GASKET	1							
24	2	114699-13200	GASKET, MUFFLER	1							
25	2	114299-32570	O-RING	1							
26	2	24341-000224	O-RING, 1AS22.4	1							

Remarks
(1)OPTIONAL

Parts No. Index

Parts No.	Fig. No.	Ref. No.
104211-11370	2	12
		25
105300-23200	4	38
114250-01841	1	25
	9	15
114250-03591	2	36
114250-11240	2	18
		23
114250-11460	2	13
	9	20
114250-53080	7	34
114250-53120	7	35
114250-53130	7	36
114250-53140	7	37
114250-53210	7	38
114250-53331	7	42
114250-53400	7	43
114252-12550	3	11
114252-12560	3	7
114270-61520	5	29
114299-01600	1	12
114299-01690	1	37
114299-01800	1	13
114299-01830	1	24
114299-01950	1	40
	9	17
114299-02030	1	42
114299-03640	2	39
114299-07110	9	1
114299-07160	9	2
114299-11901	2	26
114299-12300	3	2
114299-32070	5	7
114299-32570	5	8
	9	25
114299-35110	5	11
114299-35150	1	35
114299-45220	6	2
114299-45301	6	7
114299-45310	6	8
114299-45350	6	10
114299-51020	7	2
114299-51080	7	3
114299-51090	7	4
114299-51160	7	5
114299-51330	7	14
114299-51340	7	15
114299-51350	7	16
114299-51600	7	17
114299-51610	7	18

Parts No.	Fig. No.	Ref. No.
114299-51630	7	28
114299-51640	7	29
114299-59850	7	57
114299-61190	5	22
114299-61600	5	30
114299-66060	5	33
114299-66101	5	37
114299-66200	5	47
114299-66250	5	43
114299-66440	5	38
114299-67080	5	39
114299-92590	9	6
114299-92600	9	7
114299-92710	9	8
114299-92720	9	9
114299-92730	9	10
114299-92740	9	11
114310-45360	3	14
114350-11470	2	14
114351-77520	8	37
114362-77011	8	1
114371-77160	8	7
114371-77170	8	13
114371-77180	8	14
114371-79040	8	8
114371-79050	8	9
114371-79060	8	10
114371-79070	8	17
114381-77110	8	2
114381-77130	8	5
114381-77140	8	6
114381-77151	8	12
114399-45320	6	3
114399-45340	6	4
114399-76540	6	17
114399-76620	6	20
114399-77400	8	30
114399-77540	8	32
114399-77550	8	28
114399-77710	8	34
114399-78000	8	33
114399-78260	8	21
114399-78730	8	22
114399-78740	8	23
114650-02100	1	33
114650-02150	1	43
114650-02200	1	48
114650-02210	1	49
114650-07450	9	3
114650-11011	2	1

Parts No.	Fig. No.	Ref. No.
114650-11261	2	10
114650-11340	2	11
	9	19
114650-11652	2	16
114650-12550	3	10
114650-12590	3	8
114650-14402	4	8
114650-32010	5	1
114650-53000	7	31
114650-53300	7	39
114650-59801	7	55
114650-66600	5	48
114699-01050	1	1
114699-01200	1	5
114699-01210	1	6
114699-01220	1	7
114699-01230	1	8
114699-01250	1	9
114699-01330	1	10
	9	13
114699-01380	1	11
	9	14
114699-01410	1	29
	9	16
114699-01450	1	30
114699-01760	1	38
114699-11100	2	6
114699-11110	2	7
114699-11120	2	8
114699-11320	2	33
	9	21
114699-11600	2	15
114699-11950	2	34
114699-12020	3	12
114699-12200	3	13
	9	23
114699-12210	3	1
	9	22
114699-13200	3	17
	9	24
114699-14200	4	6
114699-21220	4	17
114699-21550	4	18
114699-21600	4	19
114699-21630	4	22
114699-22300	4	32
114699-45100	6	6
114699-45210	6	1
114699-45330	6	9
114699-51220	7	6

Parts No.	Fig. No.	Ref. No.
114699-51300	7	11
114699-59850	7	56
114699-61210	5	24
114699-66010	5	46
114699-76251	6	12
114699-76510	6	13
114699-76521	6	14
114699-76531	6	16
114699-76551	6	18
114699-76560	6	19
114699-76592	6	26
114699-76630	6	21
114699-76650	6	22
114699-76660	6	23
114699-76670	6	24
114699-76680	6	25
114770-61610	5	31
114771-14260	4	7
114780-61090	5	54
114980-12530	3	6
119620-11180	2	9
124060-23100	4	37
124195-77770	8	16
124298-77020	8	15
129792-22400	4	33
160710-78710	8	24
160725-78350	5	40
183671-12520	3	5
22190-160002	1	41
	9	18
22312-030160	2	41
	5	9
22322-030200	5	20
		21
22351-040008	2	27
22451-060000	5	55
22512-050140	4	23
23876-010000	1	50
24101-062030	4	46
24101-063030	4	47
24162-152112	1	44
24341-000224	5	13
	9	26
24423-355008	1	45
		46
26023-040102	8	31
26106-060082	6	27
26106-060122	5	10
	6	28
	8	25

Parts No. Index

Parts No.	Fig. No.	Ref. No.
26106-060122	8	35
26106-060142	5	44
26106-060162	5	14
26106-060202	5	45
	6	5
	8	26
		36
26106-060252	3	15
26106-060702	2	44
26106-080122	1	47
26106-080352	1	36
26106-100302	8	19
26106-100552	2	28
26117-050089	5	36
26216-080182	3	19
26226-060142	3	16
26226-060182	1	26
26226-060222	1	27
26226-060502	2	29
26347-060002	5	41
26366-060002	1	28
	2	30
26366-080002	3	18
26577-060142	8	27
26716-080002	8	20
26757-060002	5	42
26776-100002	5	53
26856-060002	2	19
		24
27310-070001	2	31
714299-66100	5	32
714650-23600	4	39
714650-23610	4	60
714650-23620	4	62
714650-53100	7	30
714670-11660	2	20
714689-21730	4	9
714699-14580	4	1
714699-23700	4	34
714699-51600	7	1
714699-61500	5	15
714699-61701	5	23
714970-22500	4	26
714970-22540	4	50
714970-22550	4	56
714970-28511	4	41
714980-22581	4	54
714980-22621	4	48
714980-22721	4	24
714999-92600	9	12

Parts No.	Fig. No.	Ref. No.
783671-12560	3	3
X2114274200	8	18
X2114715500	8	4
X2114811000	8	3
X211485016	8	11

Parts No.	Fig. No.	Ref. No.
-----------	----------	----------

Parts No.	Fig. No.	Ref. No.
-----------	----------	----------