

0CV10-M74900EN

Contents

0CV10-M74900

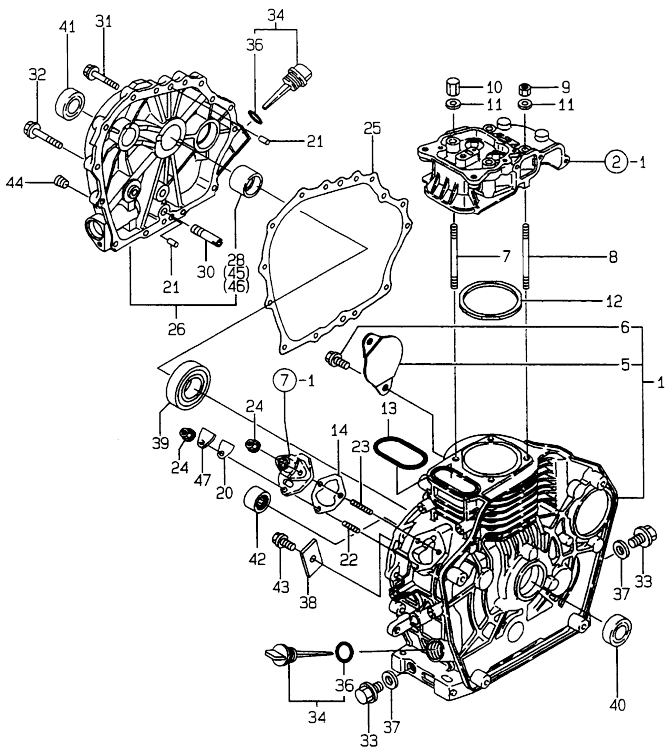
Fig. No.	Fig. Name	Fig. No.	Fig. Name
L40,70,100AE-D(E)		25.	COOLING & STARTING DEVICE
1.	CYLINDER BLOCK	26.	FUEL INJECTION PUMP
2.	CYLINDER HEAD & BONNET	27.	STARTING MOTOR & DYNAMO
3.	AIR CLEANER & MUFFLER	28.	TOOL,LABEL & GASKET SET
4.	CRANKSHAFT,PISTON & CAMSHAFT		
5.	LUB.OIL PUMP & GOVERNOR		
6.	COOLING & STARTING DEVICE		
7.	FUEL INJECTION PUMP		
8.	FUEL TANK & FUEL LINE		
9.	TOOL,LABEL & GASKET SET		
10.	CYLINDER BLOCK		
11.	CYLINDER HEAD & BONNET		
12.	AIR CLEANER		
13.	MUFFLER		
14.	CRANKSHAFT,PISTON & CAMSHAFT		
15.	LUB.OIL PUMP & GOVERNOR		
16.	COOLING & STARTING DEVICE		
17.	FUEL INJECTION PUMP		
18.	STARTING MOTOR & DYNAMO		
19.	TOOL,LABEL & GASKET SET		
20.	CYLINDER BLOCK		
21.	CYLINDER HEAD & BONNET		
22.	AIR CLEANER & MUFFLER		
23.	CRANKSHAFT,PISTON & CAMSHAFT		
24.	LUB.OIL PUMP & GOVERNOR		

Fig.1. CYLINDER BLOCK

(A)=L40AE-DGMOYC
(B)=
(C)=

(D)=
(E)=
(F)=

1. CYLINDER BLOCK



No.	Lev.	Parts No.	Description	Q'ty						I	R	
				(A)	(B)	(C)	(D)	(E)	(F)			
1	1	714271-01560	BLOCK ASSY, CYLINDER	1								
5	2	114350-01700	COVER	1								
6	2	26106-100122	BOLT, M10X 12 PLATED	2								
7	1	114250-01200	BOLT, HEAD	2								
8	1	114250-01210	BOLT, HEAD	2								
9	1	114250-01221	NUT, CYLINDER HEAD	2								
10	1	114250-01251	NUT, CAP	2								
11	1	124950-01250	WASHER	4								
12	1	114299-01340	GASKET, HEAD	1								
13	1	114250-01380	O-RING	1								
14	1	114299-01800	SHIM SET	1								
20	1	114250-01841	GASKET	1								
21	1	114270-01600	PIN, M8X12	2								
22	1	26226-060182	STUD, M6X 18	1								
23	1	26226-060222	STUD, M6X 22	2								
24	1	26366-060002	NUT, M6	3								
25	1	114299-01410	GASKET, CRANK CASE	1								
26	1	114260-01455	COVER, CRANK CASE	1								
28	2	114250-02100	BEARING, MAIN	1								1
30	1	114250-35150	PIPE, OIL INLET	1								
31	1	26106-060252	BOLT, M6X 25 PLATED	14								
32	1	26106-080352	BOLT, M8X 35 PLATED	1								
33	1	105425-01690	PLUG, 16	2								
34	1	114299-01760	CAP ASSY	2								
36	2	114299-01950	O-RING, 18	2								
37	1	22190-160002	WASHER, SEAL 16	2								
38	1	114299-02030	RETAINER, BEARING	1								
39	1	114250-02113	BEARING, HR6306G3C3	1								
40	1	160110-02220	SEAL, OIL	1								
41	1	160210-02220	SEAL, 25X41 2X8	1								
42	1	24162-152112	BEARING, 152112	1								
43	1	26106-080122	BOLT, M8X 12 PLATED	1								
44	1	23876-010000	PLUG, R01	1								
45	1	114250-02200	BEARING, 0.25 US	1								2
46	1	114250-02210	BEARING, 0.50 US	1								3
47	1	114299-01830	COVER	1								

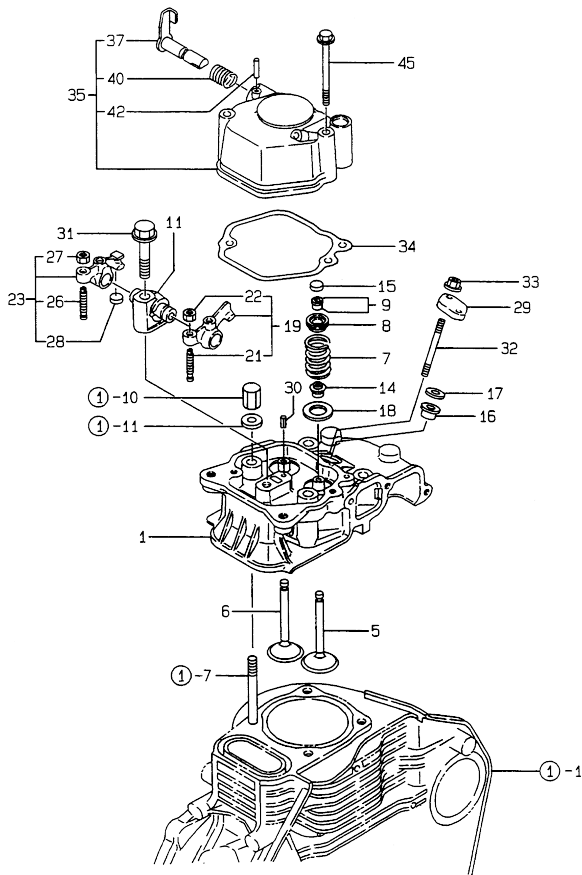
Remarks
(1) REPAIR PART.
(2) UNDER-SIZE(U.S=0.25)PART.
(3) UNDER-SIZE(U.S=0.50)PART.

Fig.2. CYLINDER HEAD & BONNET

(A)=L40AE-DGMOYC
(B)=
(C)=

(D)=
(E)=
(F)=

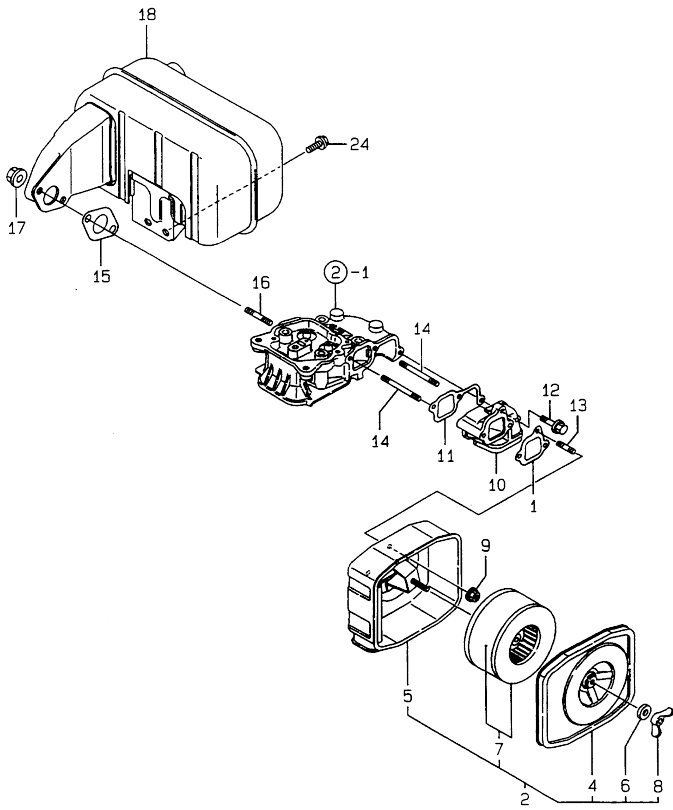
2. CYLINDER HEAD & BONNET



No.	Lev.	Parts No.	Description	Qty						I	R	
				(A)	(B)	(C)	(D)	(E)	(F)			
1	1	114770-11020	HEAD ASSY, CYLINDER	1								
5	1	114250-11101	VALVE, INTAKE	1								
6	1	114250-11113	VALVE, EXHAUST	1								
7	1	114250-11120	SPRING, VALVE	2								
8	1	114250-11180	RETAINER, SPRING	2								
9	1	714250-11570	COTTER ASSY	2								
11	1	114250-11290	SUPPORT, ROCKER ARM	1								
14	1	114250-11340	SEAL, VALVE STEM	2								
15	1	119260-11370	CAP, VALVE	1								
16	1	114250-11460	GASKET, NOZZLE	1								
17	1	114350-11470	SPACER, NOZZLE	1								
18	1	114250-11600	WASHER	2								
19	1	114250-11651	ARM, ROCKER	1								
21	2	114250-11240	SCREW, VALVE ADJUST	1								
22	2	26856-060002	NUT, M6	1								
23	1	714270-11660	ARM ASSY, ROCKER	1								
26	2	114250-11240	SCREW, VALVE ADJUST	1								
27	2	26856-060002	NUT, M6	1								
28	2	119260-11370	CAP, VALVE	1								
29	1	114299-11900	RETAINER, NOZZLE	1								
30	1	22351-040008	PIN, SPRING 4.0X 8	1								
31	1	26106-080452	BOLT, M8X 45 PLATED	1								
32	1	26226-060502	STUD, M6X 50	2								
33	1	26366-060002	NUT, M6	2								
34	1	114250-11311	GASKET, BONNET	1								
35	1	114299-11950	BONNET ASSY, HEAD	1								
37	2	114250-03591	LEVER ASSY	1								
40	2	114250-03640	SPRING, DECOMPRESSION	1								
42	2	22312-030160	PIN, PARALLEL M3X16	1								
45	1	26106-060552	BOLT, M6X 55 PLATED	2								

Fig.3. AIR CLEANER & MUFFLER

3. AIR CLEANER & MUFFLER



(A)=L40AE-DGMOYC
(B)=
(C)=

(D)=
(E)=
(F)=

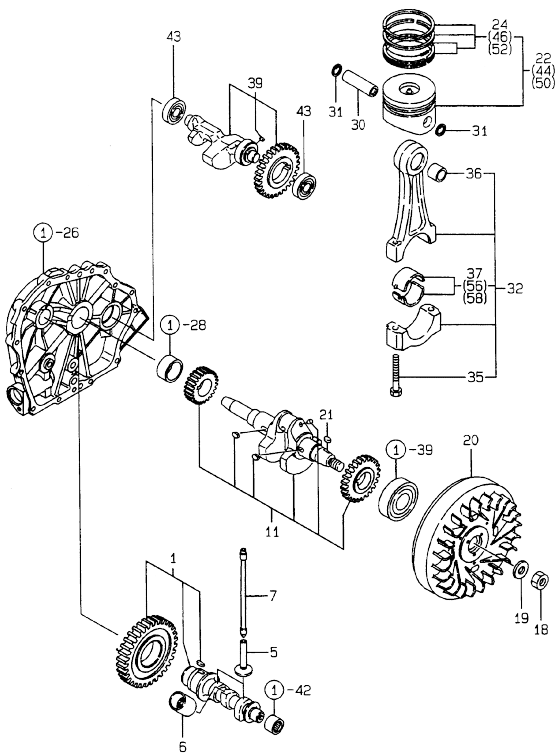
No.	Lev.	Parts No.	Description	Q'ty						I	R
				(A)	(B)	(C)	(D)	(E)	(F)		
1	1	114299-12210	GASKET, AIR CLEANER	1							
2	1	714250-12560	CLEANER ASSY, AIR	1							
4	2	114250-12520	COVER, AIR CLEANER	1							
5	2	114250-12530	CASE ASSY, CLEANER	1							
6	2	114250-12560	WASHER, SEAL M6	1							
7	2	114250-12580	ELEMENT	1							
8	2	114250-12550	NUT, WING M6	1							
9	1	114250-12300	NUT	3							
10	1	114299-12010	PIPE, AIR INTAKE	1							
11	1	114299-12200	GASKET	1							
12	1	26106-060252	BOLT, M6X 25 PLATED	1							
13	1	26226-060142	STUD, M6X 14	1							
14	1	26226-060552	STUD, M6X 55	2							
15	1	114299-13200	GASKET, MUFFLER	1							
16	1	26216-080182	STUD, M8X 18	2							
17	1	26366-080002	NUT, M8	2							
18	1	114770-13551	MUFFLER ASSY	1							
24	1	26106-060122	BOLT, M6X 12 PLATED	2							

Fig.4. CRANKSHAFT,PISTON & CAMSHAFT

4. CRANKSHAFT, PISTON & CAMSHAFT

(A)=L40AE-DGMOYC
(B)=
(C)=

(D)=
(E)=
(F)=



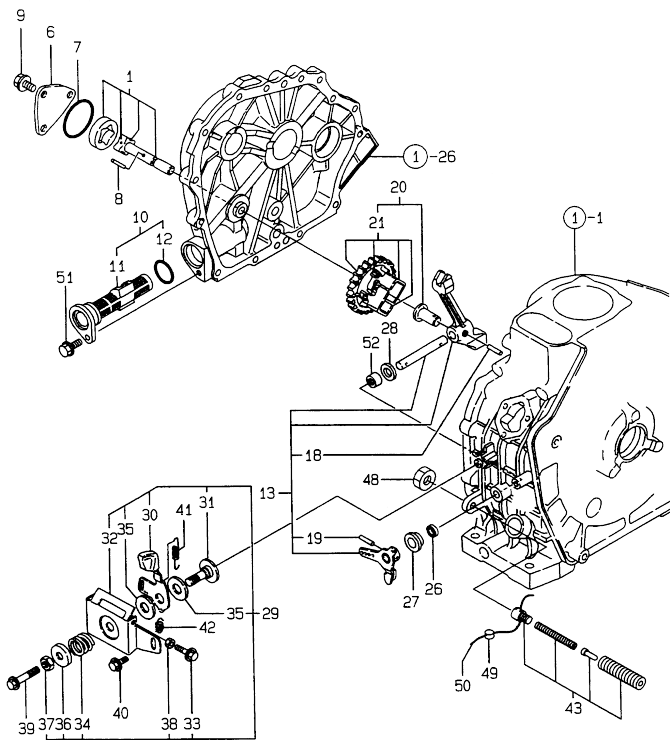
No.	Lev.	Parts No.	Description	Q'ty						I	R
				(A)	(B)	(C)	(D)	(E)	(F)		
1	1	714780-14580	CAMSHAFT ASSY	1							
5	1	114250-14200	TAPPET	2							
6	1	114771-14260	TAPPET	1							
7	1	114250-14450	ROD ASSY, PUSH	2							
11	1	714288-21730	CRANKSHAFT ASSY	1							
18	1	103854-01221	NUT, CYLINDER HEAD	1							
19	1	114250-21550	WASHER	1							
20	1	114299-21400	FLYWHEEL	1							
21	1	22512-040120	KEY, 4X 12	1							
22	1	714280-22720	PISTON ASSY, D	1							
24	2	714250-22502	RING SET, PISTON	1							
30	1	114299-22300	PIN, PISTON D=19	1							
31	1	22252-000190	RING, 19	2							
32	1	714770-23700	ROD ASSY, CONNECTING	1							
35	2	119265-23200	BOLT, CONNECTING ROD	2							
36	2	114770-23100	BEARING, PISTON PIN	1							
37	2	714770-23600	BEARING, CRANK PIN	1							
39	1	714770-28510	SHAFT ASSY, BALANCER	1							
43	1	24101-062024	BEARING, BALL 6202	2							
44	1	714280-22620	PISTON ASSY, 0.25 OS	1							1
46	2	714250-22542	RING SET, 0.25 OS	1							1
50	1	714280-22580	PISTON ASSY, 0.50 OS	1							2
52	2	714250-22550	RING SET, 0.50 OS	1							3
56	1	714770-23610	BEARING ASSY, 0.25	1							2
58	1	714770-23620	BEARING, 0.50 US	1							4

Remarks

- (1)OVER-SIZE(O.S=0.25)PART.
- (2)OVER-SIZE(O.S=0.50)PART.
- (3)UNDER-SIZE(U.S=0.25)PART.
- (4)UNDER-SIZE(U.S=0.50)PART.

Fig.5. LUB.OIL PUMP & GOVERNOR

5.LUB.OIL PUMP & GOVERNOR



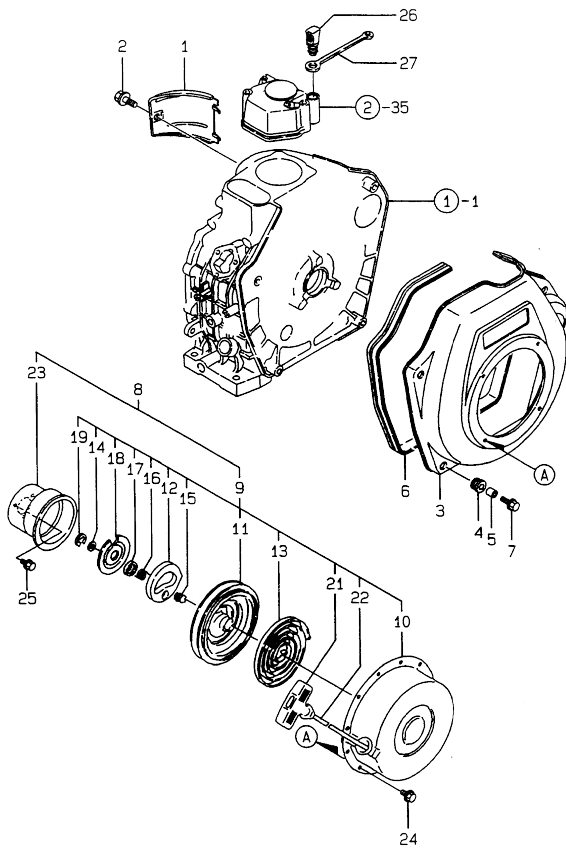
(A)=L40AE-DGMOYC
(B)=
(C)=

(D)=
(E)=
(F)=

No.	Lev.	Parts No.	Description	Q'ty						I	R
				(A)	(B)	(C)	(D)	(E)	(F)		
1	1	114250-32010	PUMP ASSY, OIL	1							
6	1	114250-32070	COVER	1							
7	1	103338-32570	O-RING	1							
8	1	22312-030160	PIN, PARALLEL M3X16	1							
9	1	26476-060142	SCREW, TAPPING M6X14	3							
10	1	114250-35110	FILTER ASSY, OIL	1							
11	2	114250-35070	FILTER, OIL	1							
12	2	24341-000224	O-RING, 1AS22.4	1							
13	1	714250-61500	LEVER ASSY, GOVERNOR	1							
18	2	22322-030200	PIN, TAPER 3X20	1							
19	2	22322-030200	PIN, TAPER 3X20	1							
20	1	714299-61700	GOVERNOR ASSY	1							
21	2	114299-61210	WEIGHT ASSY,GOVERNOR	1							
26	1	114770-61600	SEAL, OIL	1							
27	1	114770-61610	WASHER, THRUST	1							
28	1	114770-61190	WASHER	1							
29	1	183250-66500	BRACKET ASSY	1							
30	2	183250-66050	HANDLE, REGULATOR	1							
31	2	183250-66070	SHAFT, HANDLE	1							
32	2	183250-66100	BRACKET, RADIATOR	1							
33	2	114250-66440	BOLT, ADJUSTING	1							
34	2	104200-66820	SPRING	1							
35	2	104200-66830	PLATE, FRICTION	2							
36	2	104200-66850	WASHER	1							
37	2	26696-100002	NUT, LOCK M10	1							
38	2	26757-060002	NUT, LOCK M6	1							
39	1	26106-060452	BOLT, M6X 45 PLATED	1							
40	1	26476-060142	SCREW, TAPPING M6X14	1							
41	1	114299-66010	SPRING, REGULATOR	1							
42	1	114299-66200	SPRING, RETURN	1							
43	1	114770-66550	LIMITER ASSY, FUEL	1							
48	1	26696-100002	NUT, LOCK M10	1							
49	1	135210-61090	LEAD	2							
50	1	22451-060000	WIRE, 0.6	2							
51	1	26106-060162	BOLT, M6X 16 PLATED	1							
52	1	114770-61520	BEARING, NEEDLE	2							

Fig.6. COOLING & STARTING DEVICE

6.COOLING & STARTING DEVICE



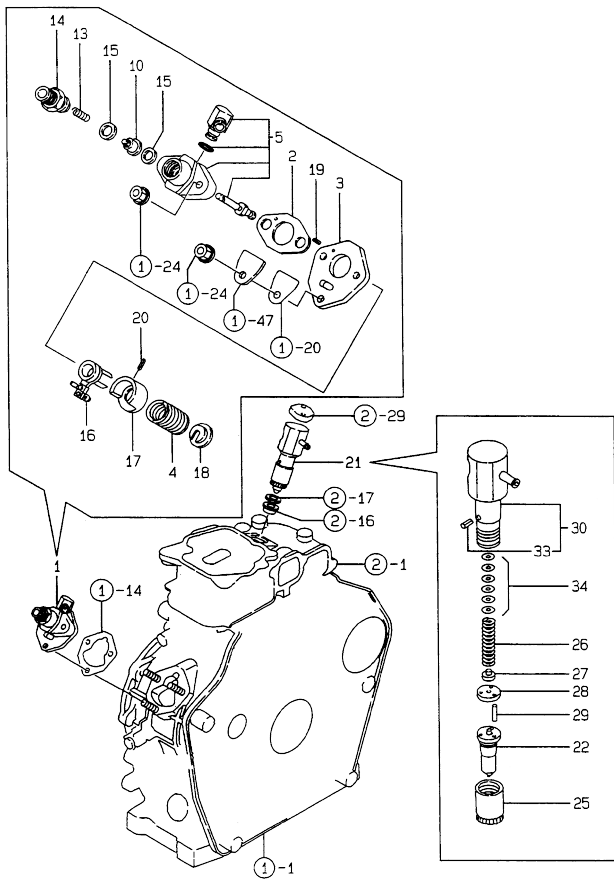
(A)=L40AE-DGMOYC
(B)=
(C)=

(D)=
(E)=
(F)=

No.	Lev.	Parts No.	Description	Q'ty						I	R
				(A)	(B)	(C)	(D)	(E)	(F)		
1	1	114299-45210	COVER	1							
2	1	26106-060122	BOLT, M6X 12 PLATED	1							
3	1	114299-45100	CASE, COOLING FAN	1							
3-1	1	114299-45110	CASE, COOLING FAN	1							R
		(A=EXXXXX)									
4	1	114250-45301	ABSORBER	4							
5	1	114250-45310	COLLAR	4							
6	1	114250-45330	SEAL, FAN CASE L=875	1							
7	1	114370-45351	BOLT	4							
8	1	114260-76050	STARTER ASSY, RECOIL	1							
9	2	114260-76250	STARTER ASSY, RECOIL	1							
10	3	114260-76520	CASE, STARTER	1							
11	3	160260-76520	REEL	1							
12	3	160260-76530	RATCHET	1							
13	3	160260-76540	SPRING, SPIRAL	1							
14	3	160260-76550	WASHER, THRUST	1							
15	3	160260-76560	SPRING, FRICTION	1							
16	3	160290-76570	SPRING, RETURN	1							
17	3	160260-76580	COVER	1							
18	3	160260-76590	PLATE, FRICTION	1							
19	3	160260-76600	CIRCLIP	1							
21	3	160260-76620	KNOB, STARTER	1							
22	3	160260-76630	ROPE, STARTER	1							
23	2	114250-76590	PULLEY, STARTER	1							
24	1	26106-060082	BOLT, M6X 8 PLATED	4							
25	1	26106-060122	BOLT, M6X 12 PLATED	3							
26	1	114250-76600	PLUNGER	1							
27	1	114299-76610	HOLDER, PLUNGER	1							

Fig.7. FUEL INJECTION PUMP

7.FUEL INJECTION PUMP



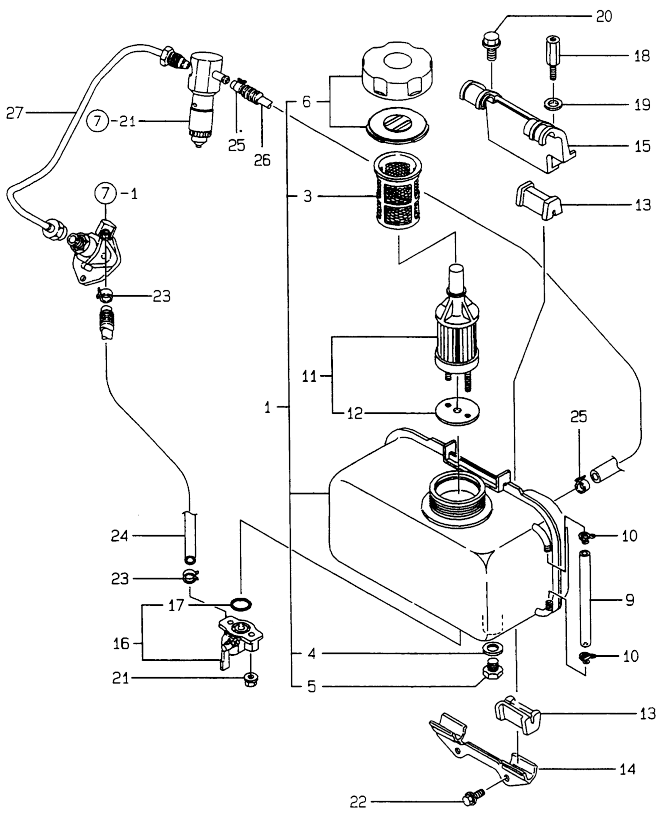
(A)=L40AE-DGMOYC
(B)=
(C)=

(D)=
(E)=
(F)=

No.	Lev.	Parts No.	Description	Q'ty						I	R
				(A)	(B)	(C)	(D)	(E)	(F)		
1	1	714788-51100	PUMP ASSY, INJECTION	1							
2	2	105546-51020	GASKET	1							
3	2	114250-51080	PLATE	1							
4	2	114250-51160	SPRING, PLUNGER	1							
5	2	114250-51200	BODY ASSY, PUMP	1							
10	2	114250-51300	VALVE ASSY, DELIVERY	1							
13	2	105546-51330	SPRING, DELIVERY	1							
14	2	114250-51340	HOLDER, DELIVERY	1							
15	2	124550-51350	GASKET, DELIVERY	2							
16	2	114250-51600	LEVER ASSY, CONTROL	1							
17	2	114250-51640	SEAT, SPRING A	1							
18	2	114250-51650	SEAT, SPRING B	1							
19	2	22351-020006	PIN, SPRING 2.0X 6	2							
20	2	22351-030008	PIN, SPRING 3.0X 8	1							
21	1	714250-53101	VALVE ASSY, INJECTION	1							
22	2	114250-53001	VALVE ASSY, INJECTION	1							
25	2	114250-53080	NUT, NOZZLE D16.95	1							
26	2	114250-53120	SPRING, NOZZLE	1							
27	2	114250-53130	SEAT, SPRING	1							
28	2	114250-53140	PLATE	1							
29	2	114250-53210	PIN	2							
30	2	114250-53300	HOLDER ASSY, NOZZLE	1							
33	3	114250-53331	PIN	1							
34	2	114250-53400	SHIM SET	1							

Fig.8. FUEL TANK & FUEL LINE

8.FUEL TANK & FUEL LINE



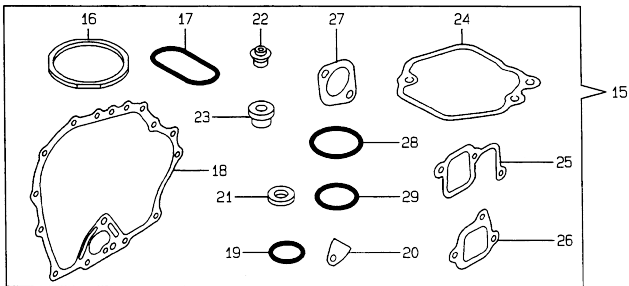
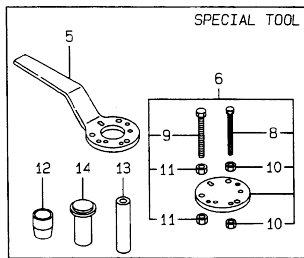
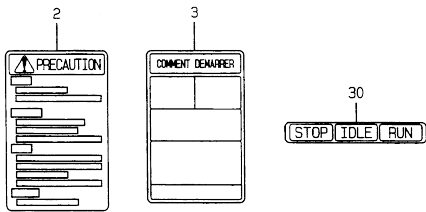
(A)=L40AE-DGMOYC
(B)=
(C)=

(D)=
(E)=
(F)=

No.	Lev.	Parts No.	Description	Q'ty						I	R
				(A)	(B)	(C)	(D)	(E)	(F)		
1	1	714299-55300	TANK ASSY, FUEL	1							
3	2	114250-55100	FILTER, FUEL	1							
4	2	23414-120000	GASKET, 12X1.0	1							
5	2	105300-55080	PLUG, 8	1							
6	2	114288-55040	CAP ASSY	1							
9	2	114250-55150	GAUGE, LEVEL	1							
10	2	103854-55220	RETAINER	2							
11	1	114250-55121	FILTER ASSY, FUEL	1							
12	2	114250-55130	GASKET	1							
13	1	114250-55201	DAMPER, FUEL TANK	4							
14	1	114299-55210	STAY, FUEL TANK	1							
15	1	114299-55230	STAY, FUEL TANK	1							
16	1	114250-55300	COCK ASSY, FUEL	1							
17	2	24341-000150	O-RING, 1AS15.0	1							
18	1	114650-55810	BOLT	1							
19	1	22117-080000	WASHER, 8	1							
20	1	26106-080452	BOLT, M8X 45 PLATED	1							
21	1	26366-060002	NUT, M6	2							
22	1	26476-060142	SCREW, TAPPING M6X14	2							
23	1	106990-44660	CLIP, HOSE 12.5	2							
24	1	114250-59051	PIPE, FUEL L=46	1							
25	1	124722-59050	CLIP, HOSE 9	2							
26	1	114250-59060	PIPE, FUEL RETURN	1							
27	1	114250-59800	PIPE ASSY, INJECTION	1							

Fig.9. TOOL, LABEL & GASKET SET

9. TOOL, LABEL & GASKET SET (OPTIONAL)



(A)=L40AE-DGMOYC
(B)=
(C)=

(D)=
(E)=
(F)=

No.	Lev.	Parts No.	Description	Qty						I	R
				(A)	(B)	(C)	(D)	(E)	(F)		
2	1	114268-07280	LABEL, PRECAUTION	1							
3	1	114268-07360	LABEL, HOW TO START(F)	1							
5	1	114250-92101	F.W. LOCKING HANDLE	1							1
6	1	114250-92130	REMOVER, FLYWHEEL	1							1
8	2	26116-060454	BOLT M 6X 45 PLATED	4							1
9	2	26116-080454	BOLT, M8X 45 PLATED	3							1
10	2	26716-060002	NUT, M6	8							1
11	2	26716-080002	NUT, M8	6							1
12	1	114268-92300	GUIDE, OIL SEAL	1							1
13	1	114250-92311	INSTALLING TOOL	1							1
14	1	114250-92350	INSTALLING TOOL	1							1
15	1	714299-92600	GASKET SET	1							1
16	2	114299-01340	GASKET, HEAD	1							
17	2	114250-01380	O-RING	1							
18	2	114299-01410	GASKET, CRANK CASE	1							
19	2	114299-01950	O-RING, 18	2							
20	2	114250-01841	GASKET	1							
21	2	22190-160002	WASHER, SEAL 16	2							
22	2	114250-11340	SEAL, VALVE STEM	2							
23	2	114250-11460	GASKET, NOZZLE	1							
24	2	114250-11311	GASKET, BONNET	1							
25	2	114299-12200	GASKET	1							
26	2	114299-12210	GASKET, AIR CLEANER	1							
27	2	114299-13200	GASKET, MUFFLER	1							
28	2	103338-32570	O-RING	1							
29	2	24341-000224	O-RING, 1AS22.4	1							
30	1	183250-07230	LABEL, OPERATION	1							

Remarks
(1) OPTIONAL PARTS.

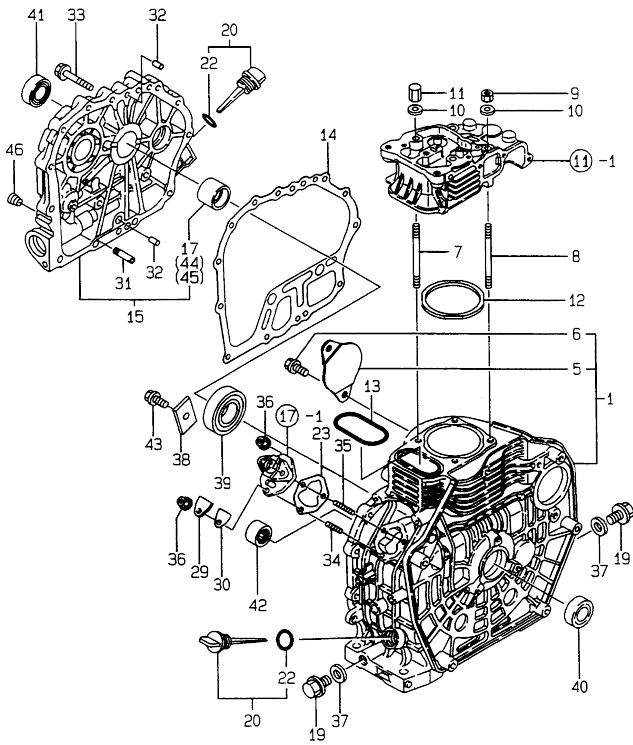
N:Old $\frac{100}{100}$ New, Q:Old $\frac{100}{100}$ New, R:Old $\frac{100}{100}$ New, S:Old $\frac{100}{100}$ New, W:Add, Z:Discontinued, F:Interchangeable by set, K:Qty Change
Copyright (C) YANMAR CO., LTD. All Rights Reserved.

Fig.10. CYLINDER BLOCK

(A)=
(B)=L70AE-DGMOYC
(C)=L70AEDEGMOYC

(D)=
(E)=
(F)=

10. CYLINDER BLOCK



No.	Lev.	Parts No.	Description	Q'ty						I	R
				(A)	(B)	(C)	(D)	(E)	(F)		
1	1	714871-01560	BLOCK ASSY, CYLINDER	1	1						
5	2	114350-01700	COVER	1	1						
6	2	26106-100122	BOLT, M10X 12 PLATED	2	2						
7	1	114350-01200	BOLT, HEAD	2	2						
8	1	114350-01210	BOLT, HEAD	2	2						
9	1	114350-01220	NUT, CYLINDER HEAD	2	2						
10	1	105225-01240	WASHER	4	4						
11	1	114350-01250	NUT, CYLINDER HEAD	2	2						
12	1	114399-01330	GASKET, HEAD	1	1						
13	1	114350-01380	O-RING	1	1						
14	1	114350-01412	GASKET, CRANK CASE	1	1						
15	1	114368-01453	COVER, CRANK CASE	1	1						
17	2	114350-02100	BEARING, MAIN	1	1						1
19	1	105425-01690	PLUG, 16	2	2						
20	1	114699-01760	CAP ASSY	2	2						
22	2	114299-01950	O-RING, 18	2	2						
23	1	114299-01800	SHIM SET	1	1						
29	1	114299-01830	COVER	1	1						
30	1	114250-01841	GASKET	1	1						
31	1	114250-35150	PIPE, OIL INLET	1	1						
32	1	114270-01600	PIN, M8X12	2	2						
33	1	26106-080352	BOLT, M8X 35 PLATED	15	15						
34	1	26226-060182	STUD, M6X 18	1	1						
35	1	26226-060222	STUD, M6X 22	2	2						
36	1	26366-060002	NUT, M6	3	3						
37	1	22190-160002	WASHER, SEAL 16	2	2						
38	1	114299-02030	RETAINER, BEARING	1	1						
39	1	114350-02113	BEARING, B35-135G3C3	1	1						
40	1	160110-02220	SEAL, OIL	1	1						
41	1	160110-02220	SEAL, OIL	1	1						
42	1	24162-152112	BEARING, 152112	1	1						
43	1	26106-080122	BOLT, M8X 12 PLATED	1	1						
44	1	114350-02200	BEARING, 0.25 US	1	1						2
45	1	114350-02210	BEARING, 0.50 US	1	1						3
46	1	23876-010000	PLUG, R01	1	1						

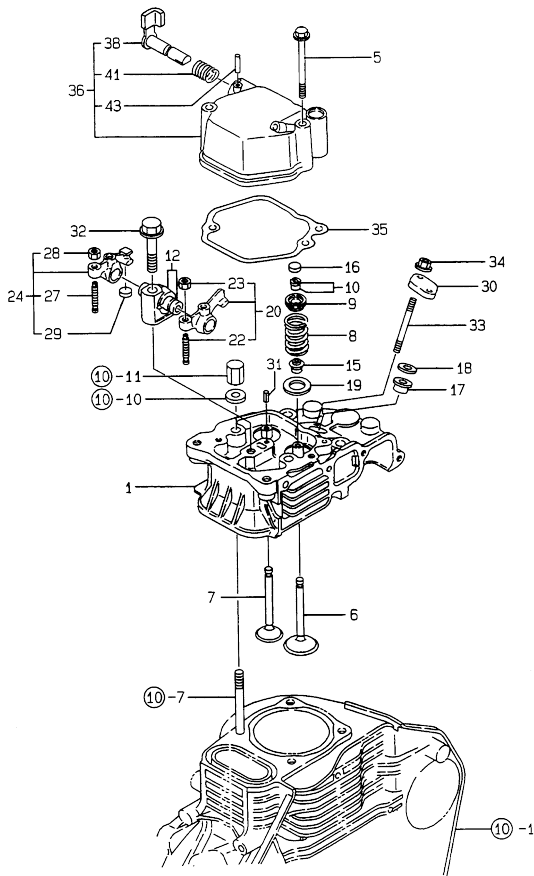
Remarks
 (1) REPAIR PART.
 (2) UNDER-SIZE(U.S=0.25)PART.
 (3) UNDER-SIZE(U.S=0.50)PART.

Fig.11. CYLINDER HEAD & BONNET

(A)=
(B)=L70AE-DGMOYC
(C)=L70AEDEGMOYC

(D)=
(E)=
(F)=

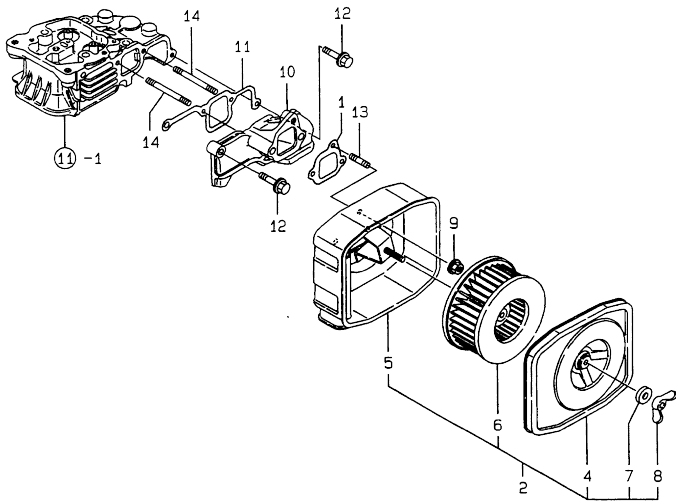
11. CYLINDER HEAD & BONNET



No.	Lev.	Parts No.	Description	Q'ty						I	R
				(A)	(B)	(C)	(D)	(E)	(F)		
1	1	114870-11021	HEAD ASSY, CYLINDER	1	1						
5	1	26106-060552	BOLT, M6X 55 PLATED		2	2					
6	1	114350-11101	VALVE, INTAKE	1	1						
7	1	114350-11113	VALVE, EXHAUST	1	1						
8	1	114350-11120	SPRING, VALVE	2	2						
9	1	101158-11180	RETAINER, SPRING	2	2						
10	1	27310-060001	COTTER, 6	2	2						
12	1	114250-11290	SUPPORT, ROCKER ARM	1	1						
15	1	114350-11340	SEAL, VALVE STEM	2	2						
16	1	105010-11490	CAP, VALVE	1	1						
17	1	114250-11460	GASKET, NOZZLE	1	1						
18	1	114350-11470	SPACER, NOZZLE	1	1						
19	1	114250-11600	WASHER	2	2						
20	1	114250-11651	ARM, ROCKER	1	1						
22	2	114250-11240	SCREW, VALVE ADJUST	1	1						
23	2	26856-060002	NUT, M6	1	1						
24	1	714370-11660	ARM ASSY, ROCKER	1	1						
27	2	114250-11240	SCREW, VALVE ADJUST	1	1						
28	2	26756-060002	NUT, LOCK M6	1	1						
29	2	105010-11490	CAP, VALVE	1	1						
30	1	114299-11900	RETAINER, NOZZLE	1	1						
31	1	22351-040008	PIN, SPRING 4.0X 8	1	1						
32	1	26106-080452	BOLT, M8X 45 PLATED	1	1						
33	1	26226-060502	STUD, M6X 50	2	2						
34	1	26366-060002	NUT, M6	2	2						
35	1	114250-11311	GASKET, BONNET	1	1						
36	1	114299-11950	BONNET ASSY, HEAD	1	1						
38	2	114250-03591	LEVER ASSY	1	1						
41	2	114250-03640	SPRING, DECOMPRESSION	1	1						
43	2	22312-030160	PIN, PARALLEL M3X16	1	1						

Fig.12. AIR CLEANER

12. AIR CLEANER



(A)=
(B)=L70AE-DGMOYC
(C)=L70AEDEGMOYC

(D)=
(E)=
(F)=

No.	Lev.	Parts No.	Description	Q'ty					
				(A)	(B)	(C)	(D)	(E)	(F)
1	1	114299-12210	GASKET, AIR CLEANER	1	1				
2	1	714250-12560	CLEANER ASSY, AIR	1	1				
4	2	114250-12520	COVER, AIR CLEANER	1	1				
5	2	114250-12530	CASE ASSY, CLEANER	1	1				
6	2	114250-12580	ELEMENT	1	1				
7	2	114250-12560	WASHER, SEAL M6	1	1				
8	2	114250-12550	NUT, WING M6	1	1				
9	1	114250-12300	NUT	3	3				
10	1	114399-12010	PIPE, AIR INTAKE	1	1				
11	1	114350-12202	GASKET, AIR INTAKE	1	1				
12	1	26106-060252	BOLT, M6X 25 PLATED	2	2				
13	1	26226-060142	STUD, M6X 14	1	1				
14	1	26226-060552	STUD, M6X 55	2	2				

Fig.13. MUFFLER

(A)=
(B)=L70AE-DGMOYC
(C)=L70AEDEGMOYC

(D)=
(E)=
(F)=

13. MUFFLER

No.	Lev.	Parts No.	Description	Q'ty						
				(A)	(B)	(C)	(D)	(E)	(F)	
1	1	114299-13200	GASKET, MUFFLER		1		1			
2	1	114870-13551	MUFFLER ASSY		1		1			
8	1	26106-060122	BOLT, M6X 12 PLATED		2		2			
9	1	26216-080182	STUD, M8X 18		2		2			
10	1	26366-080002	NUT, M8		2		2			
11	1	114288-13800	EXTENSION ASSY		1		1			
12	2	26554-060182	SCREW, M6X18		1		1			
13	2	26367-060002	NUT, M6		1		1			

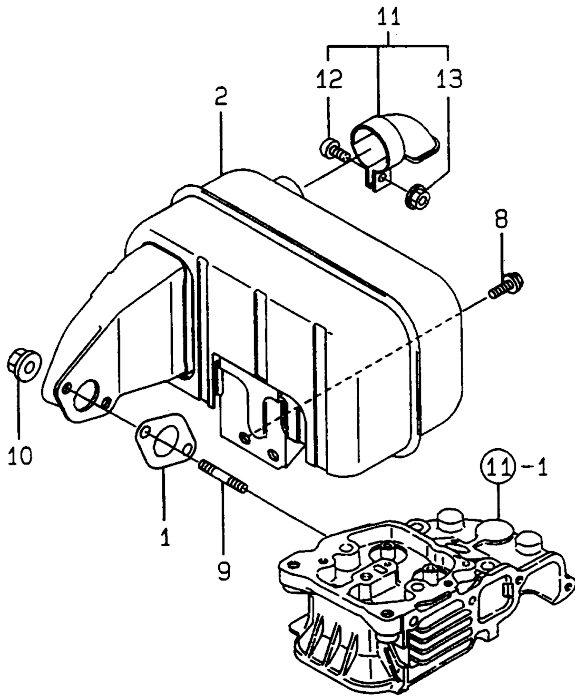
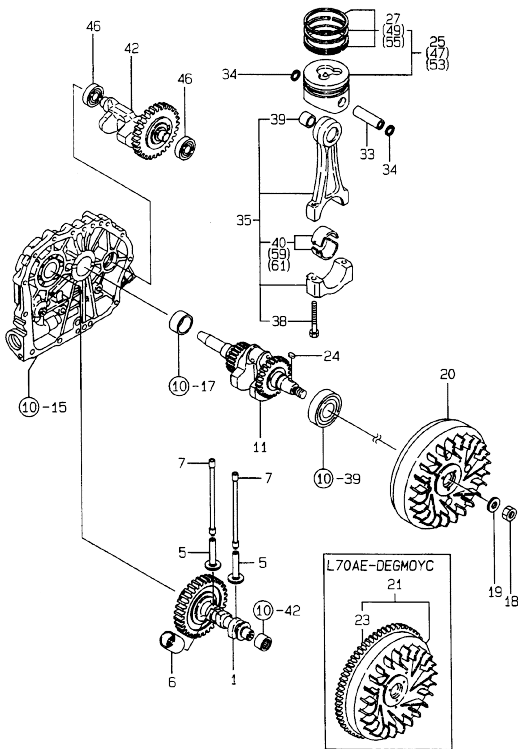


Fig.14. CRANKSHAFT,PISTON & CAMSHAFT

(A)=
(B)=L70AE-DGMOYC
(C)=L70AEDEGMOYC

(D)=
(E)=
(F)=

14. CRANKSHAFT, PISTON & CAMSHAFT



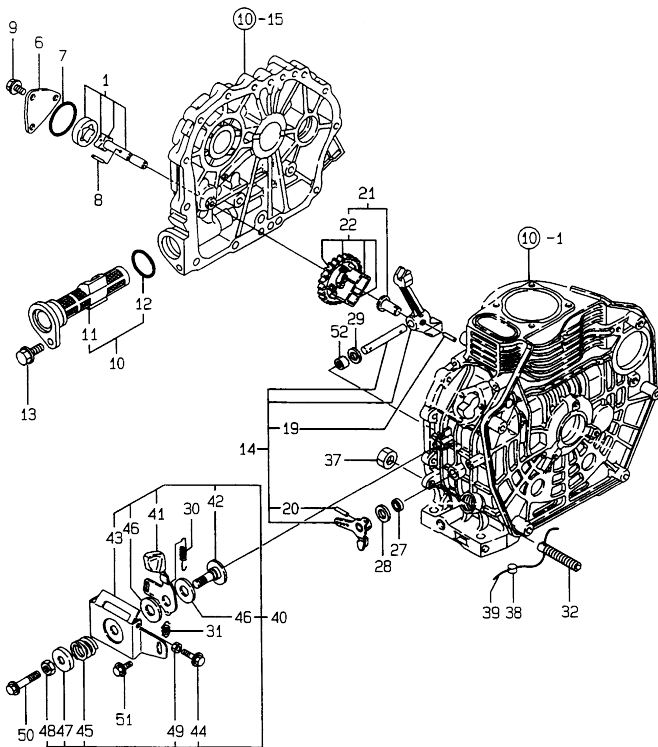
No.	Lev.	Parts No.	Description	Q'ty					
				(A)	(B)	(C)	(D)	(E)	(F)
1	1	714880-14580	CAMSHAFT ASSY	1	1				
5	1	114250-14200	TAPPET		2	2			
6	1	114771-14260	TAPPET		1	1			
7	1	114350-14450	ROD ASSY, PUSH		2	2			
11	1	714388-21730	CRANKSHAFT ASSY		1	1			
18	1	103854-01221	NUT, CYLINDER HEAD		1	1			
19	1	114250-21550	WASHER		1	1			
20	1	114399-21400	FLYWHEEL						
21	1	114881-21590	FLYWHEEL ASSY			1			
23	2	114362-21600	GEAR, RING					1	
24	1	22512-040120	KEY, 4X 12			1		1	
25	1	714880-22720	PISTON ASSY, D					1	1
27	2	714870-22500	RING SET, PISTON					1	1
33	1	114399-22300	PIN, PISTON D=21					1	1
34	1	22252-000210	RING, 21					2	2
35	1	714380-23700	ROD ASSY, CONNECTING					1	1
38	2	118200-23200	BOLT, CONNECTING ROD					2	2
39	2	114380-23100	BEARING, PISTON PIN					1	1
40	2	714380-23600	BEARING, CRANK PIN					1	1
42	1	714350-28520	SHAFT ASSY, BALANCER					1	1
46	1	24101-062024	BEARING, BALL 6202					2	2
47	1	714880-22620	PISTON ASSY, 0.25 OS					1	1
49	2	714870-22540	RING SET, 0.25 OS					1	1
53	1	714880-22580	PISTON ASSY, 0.50 OS					1	1
55	2	714870-22550	RING SET, 0.50 OS					1	1
59	1	714380-23610	METAL ASSY, 0.25					1	1
61	1	714380-23620	BEARING, 0.50 US					1	1

Remarks

- (1) OVER-SIZE (O.S.=0.25) PART.
- (2) OVER-SIZE (O.S.=0.50) PART.
- (3) UNDER-SIZE (U.S.=0.25) PART.
- (4) UNDER-SIZE (U.S.=0.50) PART.

Fig.15. LUB.OIL PUMP & GOVERNOR

15.LUB.OIL PUMP & GOVERNOR



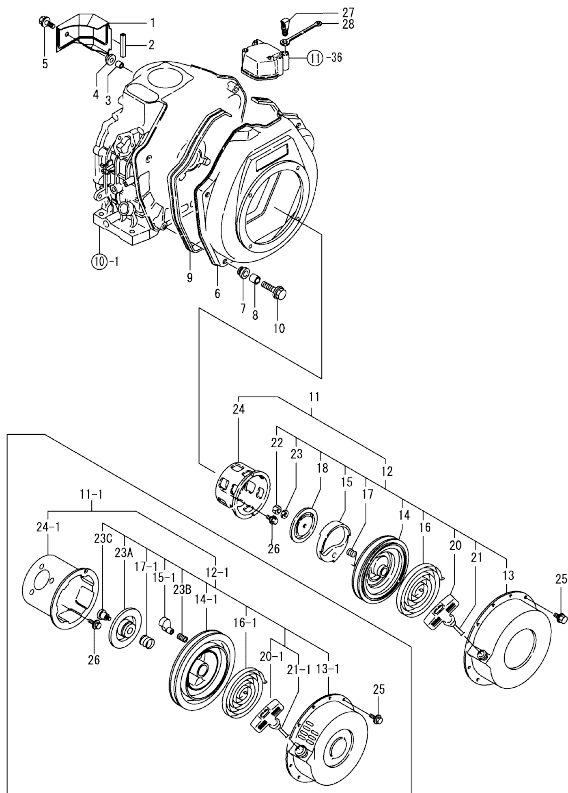
(A)=
(B)=L70AE-DGMOYC
(C)=L70AEDEGMOYC

(D)=
(E)=
(F)=

No.	Lev.	Parts No.	Description	Q'ty						I	R
				(A)	(B)	(C)	(D)	(E)	(F)		
1	1	114250-32010	PUMP ASSY, OIL	1	1						
6	1	114250-32070	COVER	1	1						
7	1	103338-32570	O-RING	1	1						
8	1	22312-030160	PIN, PARALLEL M3X16	1	1						
9	1	26476-060142	SCREW, TAPPING M6X14	3	3						
10	1	114250-35110	FILTER ASSY, OIL	1	1						
11	2	114250-35070	FILTER, OIL	1	1						
12	1	24341-000224	O-RING, 1AS22.4	1	1						
13	1	26106-060162	BOLT, M6X 16 PLATED	1	1						
14	1	714350-61500	LEVER ASSY, GOVERNOR	1	1						
19	2	22322-030200	PIN, TAPER 3X20	1	1						
20	2	22322-030200	PIN, TAPER 3X20	1	1						
21	1	714299-61700	GOVERNOR ASSY	1	1						
22	2	114299-61210	WEIGHT ASSY, GOVERNOR	1	1						
27	1	114770-61600	SEAL, OIL	1	1						
28	1	114770-61610	WASHER, THRUST	1	1						
29	1	114770-61190	WASHER	1	1						
30	1	114399-66010	SPRING, REGULATOR	1	1						
31	1	114299-66200	SPRING, RETURN	1	1						
32	1	114250-66550	LIMITER ASSY, FUEL	1	1						
37	1	26696-100002	NUT, LOCK M10	1	1						
38	1	135210-61090	LEAD	2	2						
39	1	22451-060000	WIRE, 0.6	2	2						
40	1	183250-66500	BRACKET ASSY	1	1						
41	2	183250-66050	HANDLE, REGULATOR	1	1						
42	2	183250-66070	SHAFT, HANDLE	1	1						
43	2	183250-66100	BRACKET, RADIATOR	1	1						
44	2	114250-66440	BOLT, ADJUSTING	1	1						
45	2	104200-66820	SPRING	1	1						
46	2	104200-66830	PLATE, FRICTION	2	2						
47	2	104200-66850	WASHER	1	1						
48	2	26696-100002	NUT, LOCK M10	1	1						
49	2	26757-060002	NUT, LOCK M6	1	1						
50	1	26106-060452	BOLT, M6X 45 PLATED	1	1						
51	1	26476-060142	SCREW, TAPPING M6X14	1	1						
52	1	114770-61520	BEARING, NEEDLE	2	2						

Fig.16. COOLING & STARTING DEVICE

16. COOLING & STARTING DEVICE



(A)=
(B)=L70AE-DGMOYC
(C)=L70AEDEGMOYC

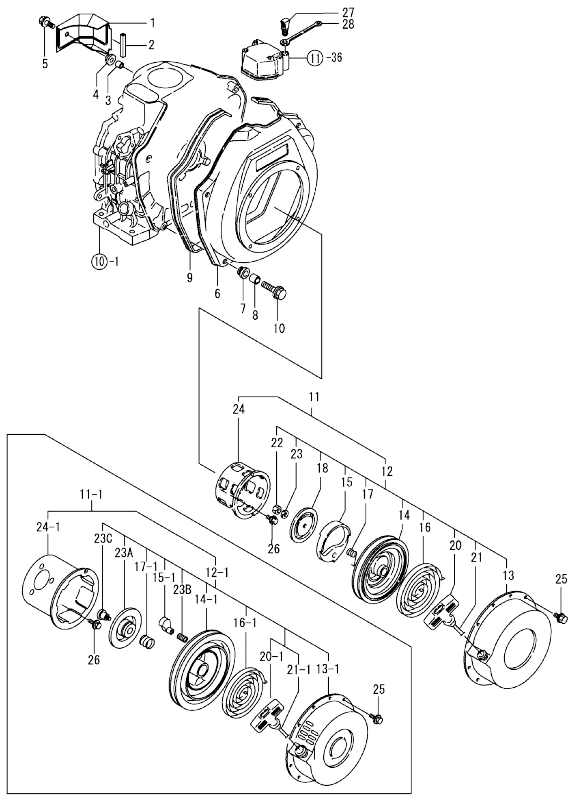
(D)=
(E)=
(F)=

No.	Lev.	Parts No.	Description	Q'ty						I	R
				(A)	(B)	(C)	(D)	(E)	(F)		
1	1	114870-45201	COVER	1	1						
2	1	114350-45320	RUBBER, SEAL	1	1						
3	1	114350-45340	COLLAR	1	1						
4	1	183720-55210	GROMMET	1	1						
5	1	26476-060202	SCREW, TAPPING M6X20	1	1						
6	1	114399-45100	CASE, COOLING FAN	1	1						
6-1	1	114399-45110	CASE, COOLING FAN (B=EXXXXX) (C=EXXXXX)	1	1						R
7	1	114250-45301	ABSORBER	4	4						
8	1	114250-45310	COLLAR	4	4						
9	1	114250-45330	SEAL, FAN CASE L=875	1	1						
10	1	114370-45351	BOLT	4	4						
11	1	114880-76050	STARTER ASSY, RECOIL	1							
11-1	1	114880-76051	STARTER ASSY, RECOIL (B=EZZZZZ)	1							R 1
12	2	114880-76250	STARTER ASSY, RECOIL	1							
12-1	2	114880-76251	STARTER ASSY, RECOIL (B=EZZZZZ)	1							S
13	3	114880-76510	CASE, STARTER	1							
13-1	3	114880-76511	CASE, STARTER (B=EZZZZZ)	1							S
14	3	160810-76520	REEL	1							
14-1	3	114880-76520	REEL (B=EZZZZZ)	1							S
15	3	160840-76530	RATCHET	1							
15-1	3	114870-76530	RATCHET (B=EZZZZZ)	2							S
16	3	160810-76540	SPRING, SPIRAL	1							
16-1	3	114870-76540	SPRING, SPIRAL (B=EZZZZZ)	1							S
17	3	160840-76560	SPRING, FRICTION	1							
17-1	3	114870-76560	SPRING, FRICTION (B=EZZZZZ)	1							S
18	3	160810-76580	PLATE, FRICTION (B=EZZZZZ)	1							Z
20	3	160810-76620	KNOB, STARTER	1							
20-1	4	114870-76620	KNOB, STARTER (B=EZZZZZ)	1							S
21	3	160810-76630	ROPE, STARTER	1							
21-1	4	114870-76630	ROPE, STARTER (B=EZZZZZ)	1							S
22	3	181130-76680	NUT (B=EZZZZZ)	1							Z
23	3	181130-76700	WASHER (B=EZZZZZ)	1							Z
23A	3	114880-76550	GUIDE, RATCHET (B=EZZZZZ)	1							W
23B	3	114870-76570	SPRING, RETURN (B=EZZZZZ)	2							W
23C	3	114870-76580	SCREW (B=EZZZZZ)	1							W

Remarks
(1) Interchangeable by simultaneous replacement with Ref.12-1 and Ref.24-1.

Fig.16. COOLING & STARTING DEVICE

16. COOLING & STARTING DEVICE



(A)=
(B)=L70AE-DGMOYC
(C)=L70AEDEGMOYC

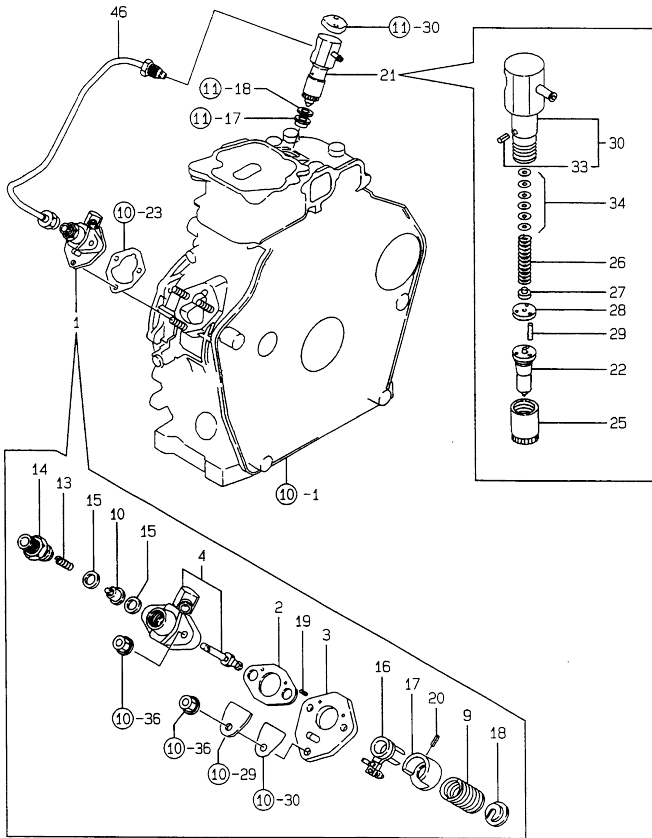
(D)=
(E)=
(F)=

No.	Lev.	Parts No.	Description	Q'ty						I	R	
				(A)	(B)	(C)	(D)	(E)	(F)			
24	2	114350-76590	PULLEY, STARTER		1							
24-1	2	114350-76591	PULLEY, STARTER (B=EZZZZZ)		1							S
25	1	26106-060082	BOLT, M6X 8 PLATED		4							
26	1	26106-060122	BOLT, M6X 12 PLATED		3							
27	1	114250-76600	PLUNGER		1		1					
28	1	114299-76610	HOLDER, PLUNGER		1		1					

Remarks
(1) Interchangeable by simultaneous replacement with Ref.12-1 and Ref.24-1.

Fig.17. FUEL INJECTION PUMP

17.FUEL INJECTION PUMP



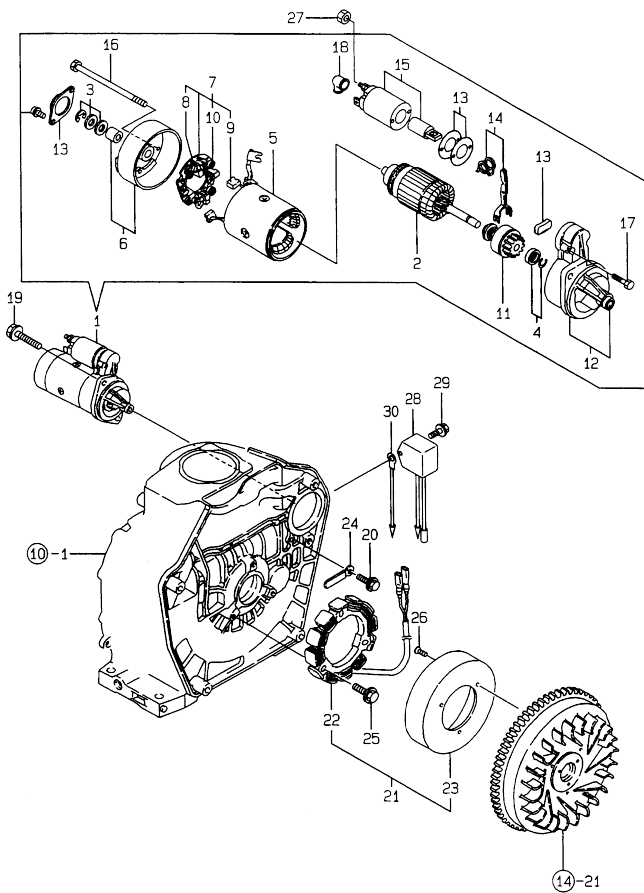
(A)=
(B)=L70AE-DGMOYC
(C)=L70AEDEGMOYC

(D)=
(E)=
(F)=

No.	Lev.	Parts No.	Description	Q'ty					
				(A)	(B)	(C)	(D)	(E)	(F)
1	1	783350-51701	PUMP ASSY, INJECTION	1	1				
2	2	105546-51020	GASKET	1	1				
3	2	114250-51080	PLATE	1	1				
4	2	183350-51200	BODY ASSY, PUMP	1	1				
9	2	114250-51160	SPRING, PLUNGER	1	1				
10	2	114250-51300	VALVE ASSY, DELIVERY	1	1				
13	2	105546-51330	SPRING, DELIVERY	1	1				
14	2	114250-51340	HOLDER, DELIVERY	1	1				
15	2	124550-51350	GASKET, DELIVERY	2	2				
16	2	114250-51600	LEVER ASSY, CONTROL	1	1				
17	2	114250-51640	SEAT, SPRING A	1	1				
18	2	114250-51650	SEAT, SPRING B	1	1				
19	2	22351-020006	PIN, SPRING 2.0X 6	2	2				
20	2	22351-030008	PIN, SPRING 3.0X 8	1	1				
21	1	714870-53200	VALVE ASSY, INJECTION	1	1				
22	2	114870-53100	VALVE ASSY, INJECTION	1	1				
25	2	114250-53080	NUT, NOZZLE D16.95	1	1				
26	2	114250-53120	SPRING, NOZZLE	1	1				
27	2	114250-53130	SEAT, SPRING	1	1				
28	2	114250-53140	PLATE	1	1				
29	2	114250-53210	PIN	2	2				
30	2	114250-53300	HOLDER ASSY, NOZZLE	1	1				
33	3	114250-53331	PIN	1	1				
34	2	114250-53400	SHIM SET	1	1				
46	1	114350-59800	PIPE ASSY, INJECTION	1	1				

Fig.18. STARTING MOTOR & DYNAMO

18.STARTING MOTOR & DYNAMO



(A)=
(B)=L70AE-DGMOYC
(C)=L70AEDEGMOYC

(D)=
(E)=
(F)=

No.	Lev.	Parts No.	Description	Q'ty						I	R		
				(A)	(B)	(C)	(D)	(E)	(F)				
1	1	114362-77011	STARTER(HITACHI 12V										
2	2	114381-77110	ARMATURE										
3	2	X2114811000	WASHER KIT, THRUST										
4	2	X2114715500	STOPPER SET, PINION										
5	2	114381-77130	COIL ASSY, FIELD										
6	2	114381-77140	COVER, REAR										
7	2	114371-77160	HOLDER ASSY, BRUSH										
8	3	114371-79040	BRUSH (-)										
9	3	114371-79050	BRUSH (+)										
10	3	114371-79060	SPRING, BRUSH										
11	2	X2114455080	PINION ASSY										
12	2	114381-77150	HOUSING ASSY, GEAR										
13	2	114371-77170	COVER KIT, DUST										
14	2	X2114560130	LEVER KIT, SHIFT										
15	2	X2114275010	SWITCH ASSY, MAGNET										
16	2	X2114680050	BOLT, THROUGH										
17	2	114371-79070	BOLT M 6X 37										
18	2	X2114274200	COVER, TERMINAL										
19	1	26106-100302	BOLT, M10X 30 PLATED										
20	1	26106-060122	BOLT, M6X 12 PLATED										
21	1	114351-78251	DYNAMO ASSY										
22	2	114351-78751	STATOR ASSY										
23	2	114351-78761	WHEEL, DYNAMO										
24	1	160710-78710	CLAMP, CORD										
25	1	26476-060202	SCREW, TAPPING M6X20										
26	1	26577-060142	SCREW M 6X 14										
27	1	26716-080002	NUT, M8										
28	1	160970-77350	RECTIFIER, ZR2117										
29	1	26106-060122	BOLT, M6X 12 PLATED										
30	1	183350-77400	WIRE, LEAD										

N:Old $\frac{100}{100}$ New, Q:Old $\frac{100}{100}$ New, R:Old $\frac{100}{100}$ New, S:Old $\frac{100}{100}$ New, W:Add, Z:Discontinued, F:Interchangeable by set, K:Q'ty Change
Copyright (C) YANMAR CO., LTD. All Rights Reserved.

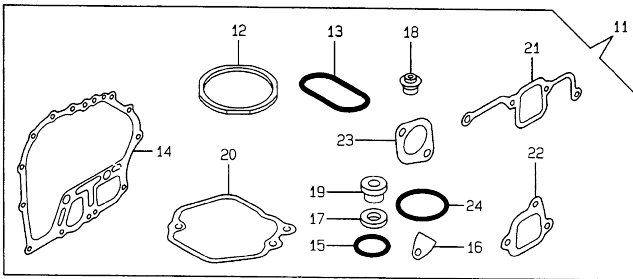
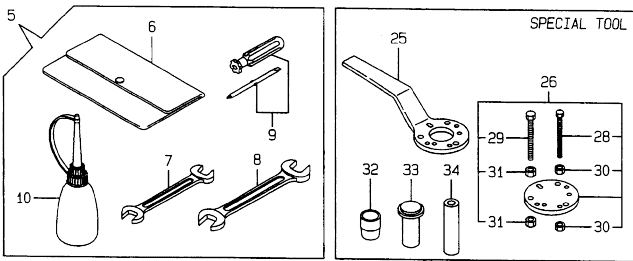
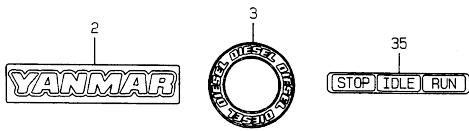
Fig.19. TOOL,LABEL & GASKET SET

(A)=
(B)=L70AE-DGMOYC
(C)=L70AEDEGMOYC

(D)=
(E)=
(F)=

19.TOOL, LABEL & GASKET SET

No.	Lev.	Parts No.	Description	Q'ty						I	R
				(A)	(B)	(C)	(D)	(E)	(F)		
2	1	114299-07110	LABEL, YANMAR	1	1						
3	1	114299-07160	LABEL, DIESEL	1	1						
5	1	114299-92590	BOX, TOOL	1	1						
6	2	114299-92600	BAG, TOOL	1	1						
7	2	114299-92710	WRENCH	1	1						
8	2	114299-92720	WRENCH	1	1						
9	2	114299-92730	DRIVER	1	1						
10	2	114299-92740	DIPSTICK	1	1						
11	1	714399-92600	GASKET SET	1	1						1
12	2	114399-01330	GASKET, HEAD	1	1						
13	2	114350-01380	O-RING	1	1						
14	2	114350-01412	GASKET, CRANK CASE	1	1						
15	2	114299-01950	O-RING, 18	2	2						
16	2	114250-01841	GASKET	1	1						
17	2	22190-160002	WASHER, SEAL 16	2	2						
18	2	114350-11340	SEAL, VALVE STEM	2	2						
19	2	114250-11460	GASKET, NOZZLE	1	1						
20	2	114250-11311	GASKET, BONNET	1	1						
21	2	114350-12202	GASKET, AIR INTAKE	1	1						
22	2	114299-12210	GASKET, AIR CLEANER	1	1						
23	2	114299-13200	GASKET, MUFFLER	1	1						
24	2	103338-32570	O-RING	1	1						
25	1	114250-92101	F.W. LOCKING HANDLE	1	1						1
26	1	114250-92130	REMOVER, FLYWHEEL	1	1						1
28	2	26116-060454	BOLT, M 6X 45 PLATED	4	4						1
29	2	26116-080454	BOLT, M8X 45 PLATED	3	3						1
30	2	26716-060002	NUT, M6	8	8						1
31	2	26716-080002	NUT, M8	6	6						1
32	1	114368-92300	GUIDE, OIL SEAL	1	1						1
33	1	114350-92311	INSTALLING TOOL	1	1						1
34	1	114350-92350	INSTALLING TOOL	1	1						1
35	1	183250-07230	LABEL, OPERATION	1	1						

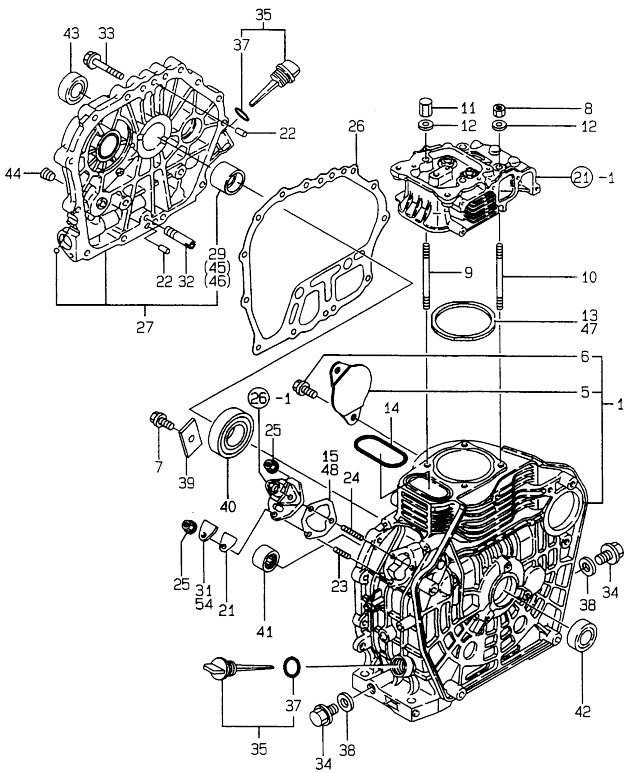


Remarks
(1) OPTIONAL PARTS.

N:Old $\frac{100}{100}$ New, Q:Old $\frac{100}{100}$ New, R:Old $\frac{100}{100}$ New, S:Old $\frac{100}{100}$ New, W:Add, Z:Discontinued, F:Interchangeable by set, K:Q'ty Change
Copyright (C) YANMAR CO., LTD. All Rights Reserved.

Fig.20. CYLINDER BLOCK

20. CYLINDER BLOCK



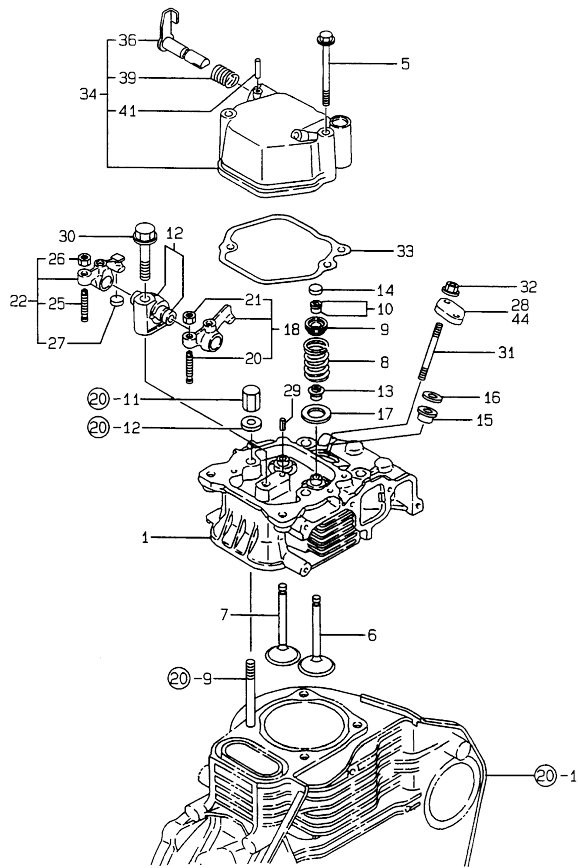
(A)=
(B)=
(C)=
(D)=L100AEDGMOYC
(E)=L100AEDGMOY
(F)=

No.	Lev.	Parts No.	Description	Q'ty						I	R
				(A)	(B)	(C)	(D)	(E)	(F)		
1	1	714970-01560	BLOCK ASSY, CYLINDER				1	1			
5	2	114350-01700	COVER				1	1			
6	2	26106-100122	BOLT, M10X 12 PLATED				2	2			
7	1	26106-080122	BOLT, M8X 12 PLATED				1	1			
8	1	105025-01220	NUT, CYLINDER HEAD				2	2			
9	1	114650-01230	BOLT, HEAD				2	2			
10	1	114650-01240	BOLT, HEAD				2	2			
11	1	114650-01250	NUT, CYLINDER HEAD				2	2			
12	1	114650-01260	WASHER				4	4			
13	1	114699-01330	GASKET, HEAD					1	1		
14	1	114650-01380	O-RING				1	1			
15	1	114299-01800	SHIM SET					1	1		
21	1	114250-01841	GASKET				1	1			
22	1	114270-01600	PIN, M8X12				2	2			
23	1	26226-060182	STUD, M6X 18				1	1			
24	1	26226-060222	STUD, M6X 22				2	2			
25	1	26366-060002	NUT, M6				3	3			
26	1	114650-01412	GASKET, CRANK CASE				1	1			
27	1	114660-01471	COVER, CRANK CASE				1	1			
29	2	114650-02100	BEARING, MAIN				1	1		1	
31	1	114299-01830	COVER					1	1		
32	1	114250-35150	PIPE, OIL INLET				1	1			
33	1	26106-080352	BOLT, M8X 35 PLATED				16	16			
34	1	105425-01690	PLUG, 16				2	2			
35	1	114699-01760	CAP ASSY				2	2			
37	2	114299-01950	O-RING, 18				2	2			
38	1	22190-160002	WASHER, SEAL 16				2	2			
39	1	114299-02030	RETAINER, BEARING				1	1			
40	1	114650-02150	BEARING, HR6308G3C3				1	1			
41	1	24162-152112	BEARING, 152112				1	1			
42	1	24423-355008	SEAL, OIL TC355008				1	1			
43	1	24423-355008	SEAL, OIL TC355008				1	1			
44	1	23876-010000	PLUG, R01				1	1			
45	1	114650-02200	BEARING, 0.25 US				1	1		2	
46	1	114650-02210	BEARING, 0.50 US				1	1		3	
47	1	114970-01340	GASKET, HEAD				1				
48	1	114250-01800	SHIM SET				1				
54	1	114250-01830	COVER				1				

Remarks
 (1) REPAIR PART.
 (2) UNDER-SIZE(U.S=0.25)PART.
 (3) UNDER-SIZE(U.S=0.50)PART.

Fig.21. CYLINDER HEAD & BONNET

21. CYLINDER HEAD & BONNET



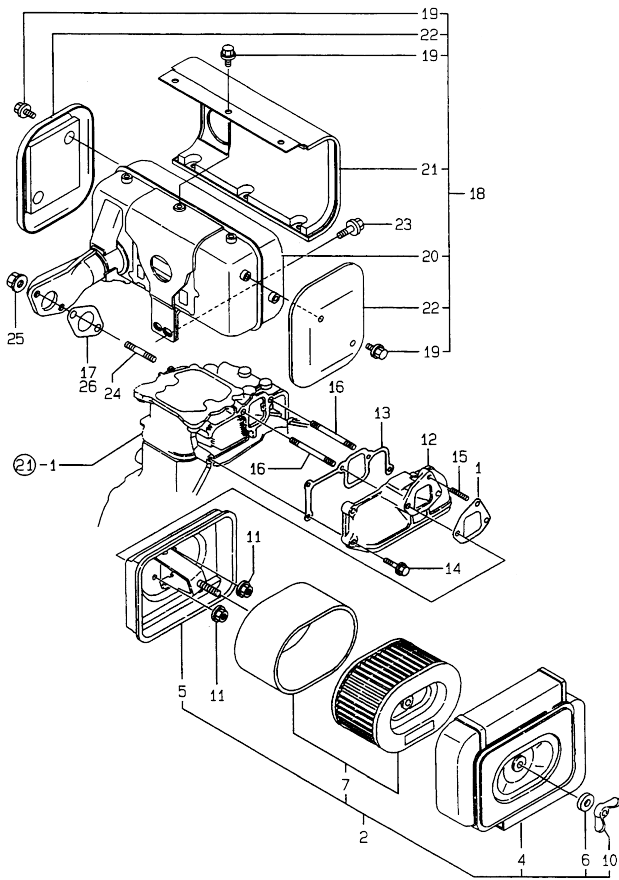
(A)=
(B)=
(C)=

(D)=L100AEDGMOYC
(E)=L100AEDGMOY
(F)=

No.	Lev.	Parts No.	Description	Qty						I	R
				(A)	(B)	(C)	(D)	(E)	(F)		
1	1	114650-11011	HEAD ASSY, CYLINDER				1	1			
5	1	26106-060702	BOLT, M6X 70 PLATED				2	2			
6	1	114650-11100	VALVE, INTAKE				1	1			
7	1	114654-11110	VALVE, EXHAUST				1	1			
8	1	114650-11121	SPRING, VALVE				2	2			
9	1	119620-11180	RETAINER, SPRING				2	2			
10	1	27310-070001	COTTER, 7				2	2			
12	1	114650-11261	SUPPORT, ROCKER ARM				1	1			
13	1	114650-11340	SEAL, VALVE STEM				2	2			
14	1	104211-11370	CAP, VALVE				1	1			
15	1	114250-11460	GASKET, NOZZLE				1	1			
16	1	114350-11470	SPACER, NOZZLE				1	1			
17	1	114650-11600	WASHER				2	2			
18	1	114650-11652	ARM, ROCKER				1	1			
20	2	114250-11240	SCREW, VALVE ADJUST				1	1			
21	2	26856-060002	NUT, M6				1	1			
22	1	714670-11660	ARM ASSY, ROCKER				1	1			
25	2	114250-11240	SCREW, VALVE ADJUST				1	1			
26	2	26856-060002	NUT, M6				1	1			
27	2	104211-11370	CAP, VALVE				1	1			
28	1	114299-11900	RETAINER, NOZZLE					1			
29	1	22351-040008	PIN, SPRING 4.0X 8				1	1			
30	1	26106-100552	BOLT, M10X 55 PLATED				1	1			
31	1	26226-060502	STUD, M6X 50				2	2			
32	1	26366-060002	NUT, M6				2	2			
33	1	114650-11311	GASKET, BONNET				1	1			
34	1	114650-11951	BONNET ASSY, HEAD				1	1			
36	2	114250-03591	LEVER ASSY				1	1			
39	2	114250-03640	SPRING, DECOMPRESSION				1	1			
41	2	22312-030160	PIN, PARALLEL M3X16				1	1			
44	1	114250-11901	RETAINER, NOZZLE					1			

Fig.22. AIR CLEANER & MUFFLER

22. AIR CLEANER & MUFFLER



(A)=
(B)=
(C)=
(D)=L100AEDGMOYC
(E)=L100AEDGMOY
(F)=

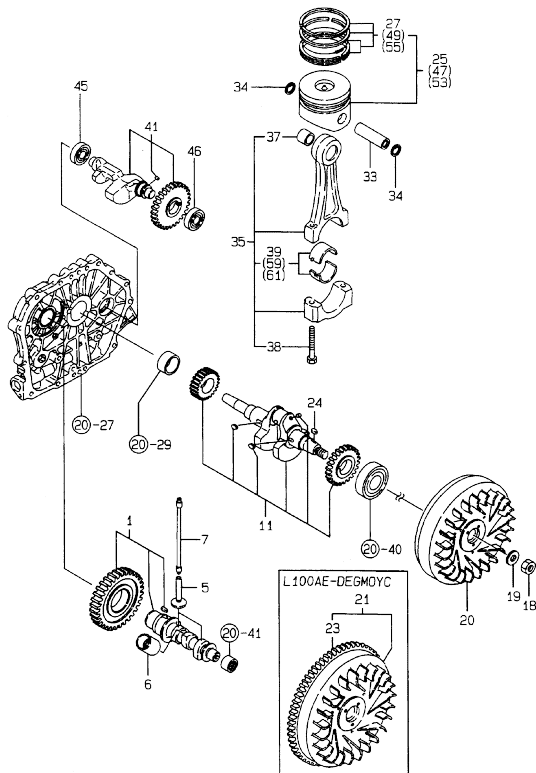
No.	Lev.	Parts No.	Description	Qty						
				(A)	(B)	(C)	(D)	(E)	(F)	
1	1	114650-12211	GASKET, AIR CLEANER				1	1		
2	1	714650-12560	CLEANER ASSY, AIR				1	1		
4	2	114650-12520	COVER, AIR CLEANER				1	1		
5	2	114650-12530	CASE ASSY, CLEANER				1	1		
6	2	114252-12560	WASHER, SEAL M8				1	1		
7	2	114650-12590	ELEMENT ASSY				1	1		
10	2	114252-12550	NUT, WING M8				1	1		
11	1	114250-12300	NUT				3	3		
12	1	114699-12020	PIPE, AIR INTAKE				1	1		
13	1	114650-12301	GASKET				1	1		
14	1	26106-060252	BOLT, M6X 25 PLATED				3	3		
15	1	26226-060142	STUD, M6X 14				1	1		
16	1	26226-060752	STUD, M6X 75				2	2		
17	1	114699-13200	GASKET, MUFFLER					1		
18	1	114970-13550	MUFFLER ASSY				1	1		
19	2	160260-01580	BOLT, FLANGE M6X6				10	10		
20	2	114970-13560	MUFFLER				1	1		
21	2	114970-13700	COVER				1	1		
22	2	114970-13710	COVER				2	2		
23	1	26106-080182	BOLT, M8X 18 PLATED				2	2		
24	1	26216-080182	STUD, M8X 18				2	2		
25	1	26366-080002	NUT, M8				2	2		
26	1	114650-13201	GASKET, MUFFLER				1			

Fig.23. CRANKSHAFT,PISTON & CAMSHAFT

(A)=
(B)=
(C)=

(D)=L100AEDGMOYC
(E)=L100AEDGMOY
(F)=

23. CRANKSHAFT, PISTON & CAMSHAFT



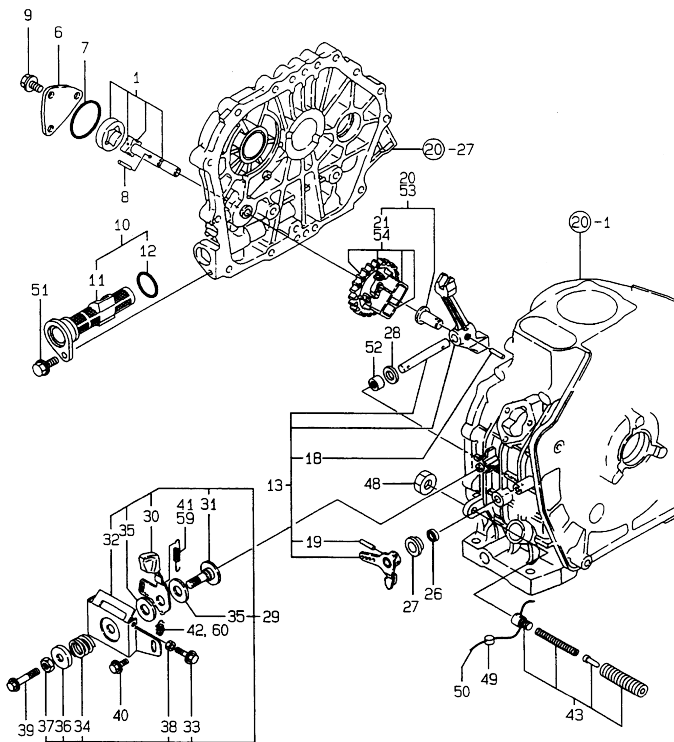
No.	Lev.	Parts No.	Description	Qty						I	R
				(A)	(B)	(C)	(D)	(E)	(F)		
1	1	714689-14580	CAMSHAFT ASSY				1	1			
5	1	114650-14200	TAPPET				2	2			
6	1	114771-14260	TAPPET				1	1			
7	1	114650-14401	ROD ASSY, PUSH				2	2			
11	1	714988-21730	CRANKSHAFT ASSY				1	1			
18	1	122710-01220	NUT, CYLINDER HEAD				1	1			
19	1	114650-21551	WASHER				1	1			
20	1	114660-21402	FLYWHEEL				1	1			
21	1	114662-21593	FLYWHEEL ASSY				1	1			
23	2	114662-21601	GEAR, RING				1	1			
24	1	22512-050140	KEY, 5X 14				1	1			
25	1	714980-22720	PISTON ASSY, D				1	1			
27	2	714970-22500	RING SET, PISTON				1	1			
33	1	114699-22300	PIN, PISTON D=23				1	1			
34	1	129792-22400	CIRCLIP, 23				2	2			
35	1	714650-23700	ROD ASSY, CONNECTING				1	1			
37	2	124060-23100	BEARING, PISTON PIN				1	1			
38	2	105300-23200	BOLT, CONNECTING ROD				2	2			
39	2	714650-23600	BEARING, CRANK PIN				1	1			
41	1	714970-28511	SHAFT ASSY, BALANCER				1	1			
45	1	24101-062034	BEARING, BALL 6203				1	1			
46	1	24101-063034	BEARING, BALL 6303				1	1			
47	1	714980-22620	PISTON ASSY, 0.25 OS				1	1			1
49	2	714970-22540	RING SET, 0.25 OS				1	1			1
53	1	714980-22580	PISTON ASSY, 0.50 OS				1	1			2
55	2	714970-22550	RING SET, 0.50 OS				1	1			2
59	1	714650-23610	BEARING ASSY, 0.25				1	1			3
61	1	714650-23620	BEARING, 0.50 US				1	1			4

Remarks

- (1)OVER-SIZE(O.S=0.25)PART.
- (2)OVER-SIZE(O.S=0.50)PART.
- (3)UNDER-SIZE(U.S=0.25)PART.
- (4)UNDER-SIZE(U.S=0.50)PART.

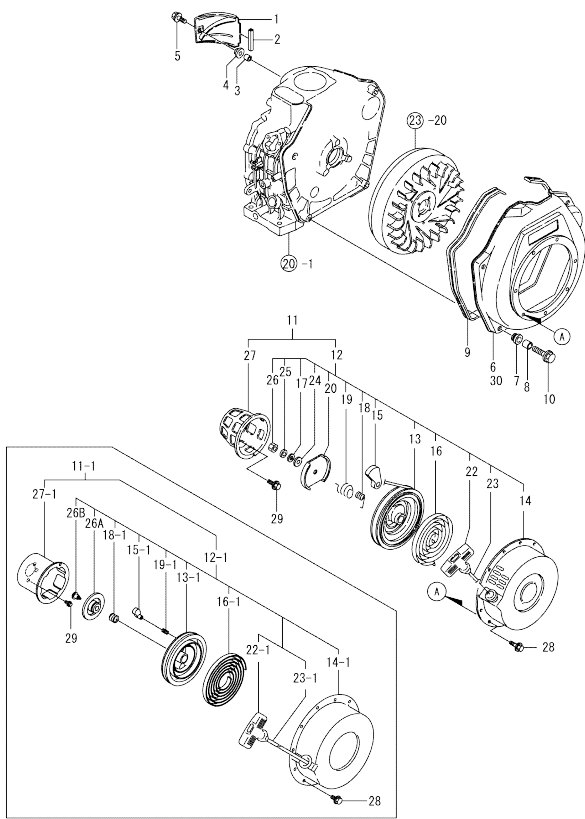
Fig.24. LUB.OIL PUMP & GOVERNOR

24.LUB.OIL PUMP & GOVERNOR



No.	Lev.	Parts No.	Description	Q'ty						I	R
				(A)	(B)	(C)	(D)	(E)	(F)		
1	1	114650-32010	PUMP ASSY, OIL				1	1			
6	1	114250-32070	COVER				1	1			
7	1	103338-32570	O-RING				1	1			
8	1	22312-030160	PIN, PARALLEL M3X16				1	1			
9	1	26476-060142	SCREW, TAPPING M6X14				3	3			
10	1	114250-35110	FILTER ASSY, OIL				1	1			
11	2	114250-35070	FILTER, OIL				1	1			
12	2	24341-000224	O-RING, 1AS22.4				1	1			
13	1	714650-61500	LEVER ASSY, GOVERNOR				1	1			
18	2	22322-030200	PIN, TAPER 3X20				1	1			
19	2	22322-030200	PIN, TAPER 3X20				1	1			
20	1	714699-61700	GOVERNOR ASSY					1			
21	2	114699-61210	WEIGHT ASSY,GOVERNOR					1			
26	1	114770-61600	SEAL, OIL					1	1		
27	1	114770-61610	WASHER, THRUST					1	1		
28	1	114770-61190	WASHER					1	1		
29	1	183250-66500	BRACKET ASSY					1	1		
30	2	183250-66050	HANDLE, REGULATOR					1	1		
31	2	183250-66070	SHAFT, HANDLE					1	1		
32	2	183250-66100	BRACKET, RADIATOR					1	1		
33	2	114250-66440	BOLT, ADJUSTING					1	1		
34	2	104200-66820	SPRING					1	1		
35	2	104200-66830	PLATE, FRICTION					2	2		
36	2	104200-66850	WASHER					1	1		
37	2	26696-100002	NUT, LOCK M10					1	1		
38	2	26757-060002	NUT, LOCK M6					1	1		
39	1	26106-060452	BOLT, M6X 45 PLATED					1	1		
40	1	26476-060142	SCREW, TAPPING M6X14					1	1		
41	1	114699-66010	SPRING, REGULATOR					1			
42	1	114299-66200	SPRING, RETURN					1			
43	1	114650-66600	LIMITER ASSY, FUEL					1	1		
48	1	26696-100002	NUT, LOCK M10					1	1		
49	1	135210-61090	LEAD					2	2		
50	1	22451-060000	WIRE, 0.6					2	2		
51	1	26106-060162	BOLT, M6X 16 PLATED					1	1		
52	1	114270-61520	BEARING, NEEDLE 8					2	2		
53	1	714685-61700	GOVERNOR ASSY					1			
54	2	114685-61210	WEIGHT ASSY,GOVERNOR					1			
59	1	114970-66010	SPRING, REGULATOR					1			
60	1	114250-66200	SPRING, RETURN					1			

Fig.25. COOLING & STARTING DEVICE



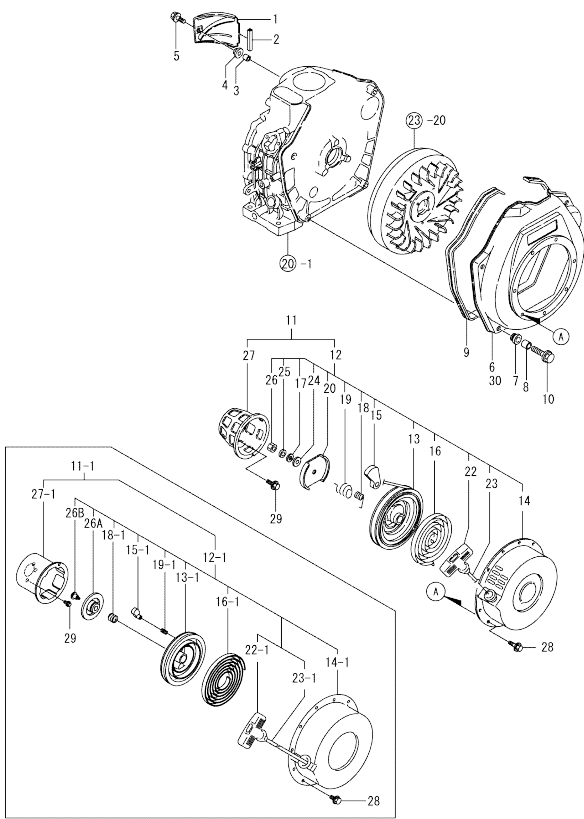
Remarks
 (1) Interchangeable by simultaneous replacement with Ref.12-1 and Ref.27-1

(A)=
 (B)=
 (C)=
 (D)=L100AEDGMOYC
 (E)=L100AEDGMOY
 (F)=

No.	Lev.	Parts No.	Description	Q'ty						I	R
				(A)	(B)	(C)	(D)	(E)	(F)		
1	1	114650-45201	COVER				1	1			
2	1	114350-45320	RUBBER, SEAL				1	1			
3	1	114350-45340	COLLAR				1	1			
4	1	183720-55210	GROMMET				1	1			
5	1	26106-060202	BOLT, M6X 20 PLATED				1	1			
6	1	114699-45100	CASE, COOLING FAN					1			
7	1	114250-45301	ABSORBER				4	4			
8	1	114250-45310	COLLAR				4	4			
9	1	114650-45330	SEAL, FAN CASE L=950				1	1			
10	1	114370-45351	BOLT				4	4			
11	1	114660-76051	STARTER ASSY, RECOIL				1	1			
11-1	1	114660-76052	STARTER ASSY, RECOIL				1	1			R 1
12	2	114660-76250	STARTER ASSY, RECOIL	(D=EZZZZZ)		(E=EZZZZZ)	1	1			
12-1	2	114660-76251	STARTER ASSY, RECOIL				1	1			S
13	3	114650-76520	REEL	(D=EZZZZZ)		(E=EZZZZZ)	1	1			
13-1	3	114880-76520	REEL				1	1			S
14	3	114660-76530	CASE, STARTER	(D=EZZZZZ)		(E=EZZZZZ)	1	1			
14-1	3	114660-76531	CASE, STARTER				1	1			S
15	3	160910-76530	RATCHET	(D=EZZZZZ)		(E=EZZZZZ)	1	1			
15-1	3	114870-76530	RATCHET				2	2			S
16	3	114650-76540	SPRING, SPIRAL	(D=EZZZZZ)		(E=EZZZZZ)	1	1			
16-1	3	114870-76540	SPRING, SPIRAL				1	1			S
17	3	160910-76550	WASHER, THRUST	(D=EZZZZZ)		(E=EZZZZZ)	1	1			Z
18	3	160910-76560	SPRING, FRICTION	(D=EZZZZZ)		(E=EZZZZZ)	1	1			
18-1	3	114870-76560	SPRING, FRICTION				1	1			S
19	3	160910-76570	SPRING, RETURN	(D=EZZZZZ)		(E=EZZZZZ)	1	1			
19-1	3	114870-76570	SPRING, RETURN				2	2			S
20	3	160910-76580	PLATE, FRICTION	(D=EZZZZZ)		(E=EZZZZZ)	1	1			Z
22	3	160910-76620	KNOB, STARTER	(D=EZZZZZ)		(E=EZZZZZ)	1	1			
22-1	3	114870-76620	KNOB, STARTER				1	1			S
23	3	160910-76630	ROPE, STARTER	(D=EZZZZZ)		(E=EZZZZZ)	1	1			
23-1	3	114650-76631	ROPE, STARTER				1	1			S
24	3	160910-76650	WASHER, THRUST	(D=EZZZZZ)		(E=EZZZZZ)	1	1			Z
25	3	22217-060000	WASHER, SPRING 6	(D=EZZZZZ)		(E=EZZZZZ)	1	1			Z
26	3	26717-060002	NUT, M6	(D=EZZZZZ)		(E=EZZZZZ)	1	1			Z
26A	3	114880-76550	GUIDE, RATCHET	(D=EZZZZZ)		(E=EZZZZZ)	1	1			W

N:Old $\frac{New}{Old}$ New, Q:Old $\frac{New}{Old}$ New, R:Old $\frac{New}{Old}$ New, S:Old $\frac{New}{Old}$ New, W:Add, Z:Discontinued, F:Interchangeable by set, K:Q'ty Change
 ++ CONTINUE ++
 Copyright (C) YANMAR CO., LTD. All Rights Reserved.

Fig.25. COOLING & STARTING DEVICE



(A)=
(B)=
(C)=

(D)=L100AEDGMOYC
(E)=L100AEDGMOY
(F)=

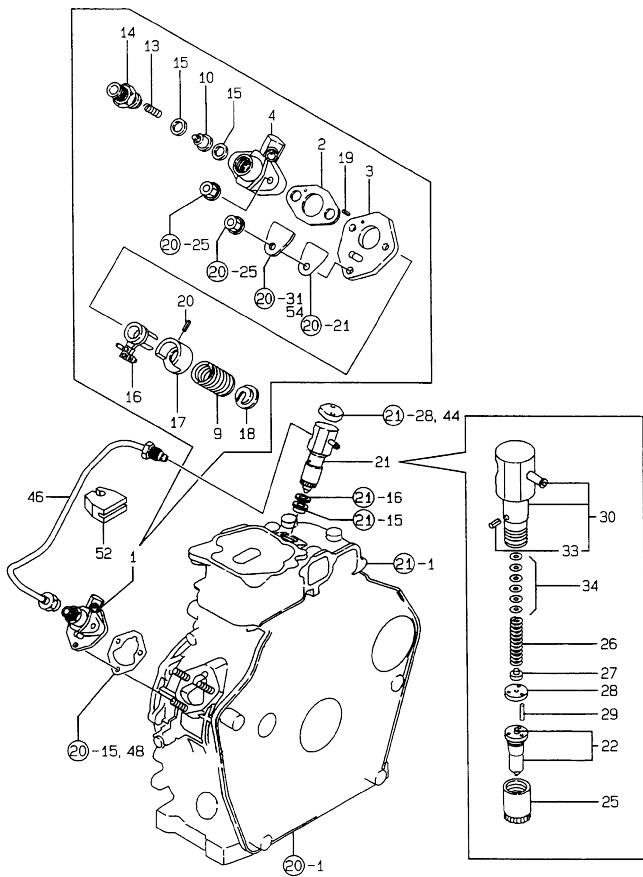
No.	Lev.	Parts No.	Description	Q'ty						I	R
				(A)	(B)	(C)	(D)	(E)	(F)		
26B	3	114870-76580	SCREW	(D=EZZZZZ)	(E=EZZZZZ)		1	1			W
27	2	114660-76591	PULLEY, STARTER	(D=EZZZZZ)	(E=EZZZZZ)				1	1	
27-1	2	114660-76592	PULLEY, STARTER	(D=EZZZZZ)	(E=EZZZZZ)				1	1	S
28	1	26106-060082	BOLT, M6X 8 PLATED						4	4	
29	1	26106-060122	BOLT, M6X 12 PLATED						3	3	
30	1	114668-45102	CASE, COOLING FAN						1		

Remarks
(1) Interchangeable by simultaneous replacement with Ref.12-1 and Ref.27-1

Fig.26. FUEL INJECTION PUMP

(D)=L100AEDGMOYC
(E)=L100AEDGMOY
(F)=

26.FUEL INJECTION PUMP



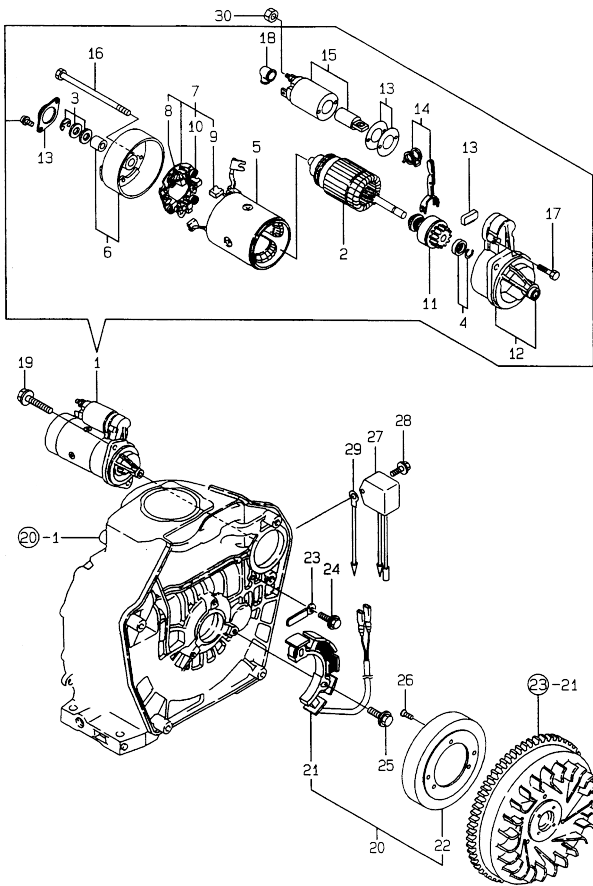
No.	Lev.	Parts No.	Description	Qty						I	R	
				(A)	(B)	(C)	(D)	(E)	(F)			
1	1	714970-51700	PUMP ASSY, INJECTION				1	1				
2	2	105546-51020	GASKET				1	1				
3	2	114250-51080	PLATE				1	1				
4	2	114970-51100	BODY ASSY, PUMP				1	1				
9	2	114250-51160	SPRING, PLUNGER				1	1				
10	2	114650-51300	VALVE ASSY, DELIVERY				1	1				
13	2	105546-51330	SPRING, DELIVERY				1	1				
14	2	114250-51340	HOLDER, DELIVERY				1	1				
15	2	124550-51350	GASKET, DELIVERY				2	2				
16	2	114250-51600	LEVER ASSY, CONTROL				1	1				
17	2	114250-51640	SEAT, SPRING A				1	1				
18	2	114250-51650	SEAT, SPRING B				1	1				
19	2	22351-020006	PIN, SPRING 2.0X 6				2	2				
20	2	22351-030008	PIN, SPRING 3.0X 8				1	1				
21	1	714650-53100	VALVE ASSY, INJECTION				1	1				
22	2	114650-53000	VALVE ASSY, INJECTION				1	1				
25	2	114250-53080	NUT, NOZZLE D16.95				1	1				
26	2	114250-53120	SPRING, NOZZLE				1	1				
27	2	114250-53130	SEAT, SPRING				1	1				
28	2	114250-53140	PLATE				1	1				
29	2	114250-53210	PIN				2	2				
30	2	114650-53300	HOLDER ASSY, NOZZLE				1	1				
33	3	114250-53331	PIN				1	1				
34	2	114250-53400	SHIM SET				1	1				
46	1	114650-59800	PIPE ASSY, INJECTION				1	1				
52	1	114650-59850	SUPPORT				1	1				

Fig.27. STARTING MOTOR & DYNAMO

27. STARTING MOTOR & DYNAMO

(A)=
(B)=
(C)=

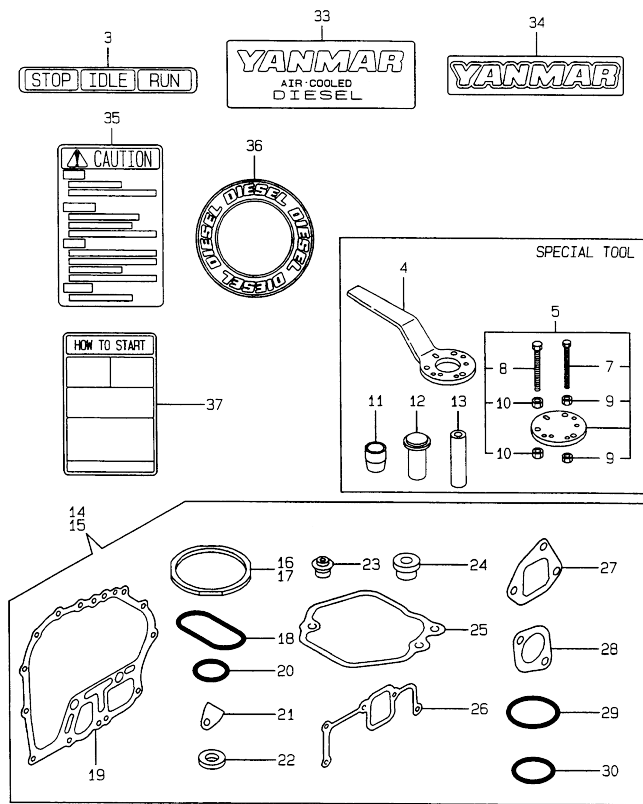
(D)=L100AEDGMOYC
(E)=L100AEDGMOY
(F)=



No.	Lev.	Parts No.	Description	Qty						I	R	
				(A)	(B)	(C)	(D)	(E)	(F)			
1	1	114362-77011	STARTER(HITACHI 12V									
2	2	114381-77110	ARMATURE									1
3	2	X2114811000	WASHER KIT, THRUST									1
4	2	X2114715500	STOPPER SET, PINION									1
5	2	114381-77130	COIL ASSY, FIELD									1
6	2	114381-77140	COVER, REAR									1
7	2	114371-77160	HOLDER ASSY, BRUSH									1
8	3	114371-79040	BRUSH (-)									2
9	3	114371-79050	BRUSH (+)									1
10	3	114371-79060	SPRING, BRUSH									4
11	2	X2114455080	PINION ASSY									1
12	2	114381-77150	HOUSING ASSY, GEAR									1
13	2	114371-77170	COVER KIT, DUST									1
14	2	X2114560130	LEVER KIT, SHIFT									1
15	2	X2114275010	SWITCH ASSY, MAGNET									1
16	2	X2114680050	BOLT, THROUGH									2
17	2	114371-79070	BOLT M 6X 37									2
18	2	X2114274200	COVER, TERMINAL									1
19	1	26106-100302	BOLT, M10X 30 PLATED									2
20	1	114351-78251	DYNAMO ASSY									1
21	2	114351-78751	STATOR ASSY									1
22	2	114351-78761	WHEEL, DYNAMO									1
23	1	160710-78710	CLAMP, CORD									1
24	1	26106-060122	BOLT, M6X 12 PLATED									1
25	1	26476-060202	SCREW, TAPPING M6X20									3
26	1	26577-060142	SCREW M 6X 14									3
27	1	160970-77350	RECTIFIER, ZR2117									1
28	1	26106-060122	BOLT, M6X 12 PLATED									1
29	1	183350-77400	WIRE, LEAD									1
30	1	26716-080002	NUT, M8									1

Fig.28. TOOL,LABEL & GASKET SET

28.TOOL, LABEL & GASKET SET



(A)=
(B)=
(C)=

(D)=L100AEDGMOYC
(E)=L100AEDGMOY
(F)=

No.	Lev.	Parts No.	Description	Qty						I	R	
				(A)	(B)	(C)	(D)	(E)	(F)			
2	1	114250-07500	TAG				1	1				
3	1	183250-07230	LABEL, OPERATION				1	1				
4	1	114250-92101	F.W. LOCKING HANDLE				1	1				1
5	1	114250-92130	REMOVER, FLYWHEEL				1	1	1			1
7	2	26116-060454	BOLT M 6X 45 PLATED				4	4				1
8	2	26116-080454	BOLT, M8X 45 PLATED				3	3				1
9	2	26716-060002	NUT, M6				8	8				1
10	2	26716-080002	NUT, M8				6	6				1
11	1	114661-92300	GUIDE				1	1				1
12	1	114650-92310	INSTALLING TOOL				1	1				1
13	1	114650-92350	INSTALLING TOOL				1	1				1
14	1	714970-92600	GASKET SET				1					1
15	1	714699-92620	GASKET SET					1				1
16	2	114970-01340	GASKET, HEAD				1					
17	2	114699-01330	GASKET, HEAD					1				
18	2	114650-01380	O-RING				1	1				
19	2	114650-01412	GASKET, CRANK CASE				1	1				
20	2	114299-01950	O-RING, 18				2	2				
21	2	114250-01841	GASKET				1	1				
22	2	22190-160002	WASHER, SEAL 16				2	2				
23	2	114650-11340	SEAL, VALVE STEM				2	2				
24	2	114250-11460	GASKET, NOZZLE				1	1				
25	2	114650-11311	GASKET, BONNET				1	1				
26	2	114650-12301	GASKET				1	1				
27	2	114650-12211	GASKET, AIR CLEANER				1	1				
28	2	114699-13200	GASKET, MUFFLER				1	1				
29	2	103338-32570	O-RING				1	1				
30	2	24341-000224	O-RING, 1AS22.4				1	1				
33	1	114250-07090	LABEL, AIR COOLED				1					
34	1	114250-07111	LABEL, YANMAR				1					
35	1	114268-07240	LABEL, CAUTION				1					
36	1	114261-07350	LABEL				1					
37	1	114268-07350	LABEL, HOW TO START				1					

Remarks
(1) OPTIONAL PARTS.

Parts No. Index

Parts No.	Fig. No.	Ref. No.
101158-11180	11	9
103338-32570	5	7
	9	28
	15	7
	19	24
	24	7
	28	29
103854-01221	4	18
	14	18
103854-55220	8	10
104200-66820	5	34
	15	45
	24	34
104200-66830	5	35
	15	46
	24	35
104200-66850	5	36
	15	47
	24	36
104211-11370	21	14
		27
105010-11490	11	16
		29
105025-01220	20	8
105225-01240	10	10
105300-23200	23	38
105300-55080	8	5
105425-01690	1	33
	10	19
	20	34
105546-51020	7	2
	17	2
	26	2
105546-51330	7	13
	17	13
	26	13
106990-44660	8	23
114250-01200	1	7
114250-01210	1	8
114250-01221	1	9
114250-01251	1	10
114250-01380	1	13
	9	17
114250-01800	20	48
114250-01830	20	54
114250-01841	1	20
	9	20
	10	30
	19	16
	20	21

Parts No.	Fig. No.	Ref. No.
114250-01841	28	21
114250-02100	1	28
114250-02113	1	39
114250-02200	1	45
114250-02210	1	46
114250-03591	2	37
	11	38
	21	36
114250-03640	2	40
	11	41
	21	39
114250-07090	28	33
114250-07111	28	34
114250-07500	28	2
114250-11101	2	5
114250-11113	2	6
114250-11120	2	7
114250-11180	2	8
114250-11240	2	21
		26
	11	22
		27
	21	20
		25
114250-11290	2	11
	11	12
114250-11311	2	34
	9	24
	11	35
	19	20
114250-11340	2	14
	9	22
114250-11460	2	16
	9	23
	11	17
	19	19
	21	15
	28	24
114250-11600	2	18
	11	19
114250-11651	2	19
	11	20
114250-11901	21	44
114250-12300	3	9
	12	9
	22	11
114250-12520	3	4
	12	4
114250-12530	3	5
	12	5

Parts No.	Fig. No.	Ref. No.
114250-12550	3	8
	12	8
114250-12560	3	6
	12	7
114250-12580	3	7
	12	6
114250-14200	4	5
	14	5
114250-14450	4	7
114250-21550	4	19
	14	19
114250-32010	5	1
	15	1
114250-32070	5	6
	15	6
	24	6
114250-35070	5	11
	15	11
	24	11
114250-35110	5	10
	15	10
	24	10
114250-35150	1	30
	10	31
	20	32
114250-45301	6	4
	16	7
	25	7
114250-45310	6	5
	16	8
	25	8
114250-45330	6	6
	16	9
114250-51080	7	3
	17	3
	26	3
114250-51160	7	4
	17	9
	26	9
114250-51200	7	5
114250-51300	7	10
	17	10
114250-51340	7	14
	17	14
	26	14
114250-51600	7	16
	17	16
	26	16
114250-51640	7	17
	17	17

Parts No.	Fig. No.	Ref. No.
114250-51640	26	17
114250-51650	7	18
	17	18
	26	18
114250-53001	7	22
114250-53080	7	25
	17	25
	26	25
114250-53120	7	26
	17	26
	26	26
114250-53130	7	27
	17	27
	26	27
114250-53140	7	28
	17	28
	26	28
114250-53210	7	29
	17	29
	26	29
114250-53300	7	30
	17	30
114250-53331	7	33
	17	33
	26	33
114250-53400	7	34
	17	34
	26	34
114250-55100	8	3
114250-55121	8	11
114250-55130	8	12
114250-55150	8	9
114250-55201	8	13
114250-55300	8	16
114250-59051	8	24
114250-59060	8	26
114250-59800	8	27
114250-66200	24	60
114250-66440	5	33
	15	44
	24	33
114250-66550	15	32
114250-76590	6	23
114250-76600	6	26
	16	27
114250-92101	9	5
	19	25
	28	4
114250-92130	9	6
	19	26

Parts No. Index

Parts No.	Fig. No.	Ref. No.
114250-92130	28	5
114250-92311	9	13
114250-92350	9	14
114252-12550	22	10
114252-12560	22	6
114260-01455	1	26
114260-76050	6	8
114260-76250	6	9
114260-76520	6	10
114261-07350	28	36
114268-07240	28	35
114268-07280	9	2
114268-07350	28	37
114268-07360	9	3
114268-92300	9	12
114270-01600	1	21
	10	32
	20	22
114270-61520	24	52
114288-13800	13	11
114288-55040	8	6
114299-01340	1	12
	9	16
114299-01410	1	25
	9	18
114299-01760	1	34
114299-01800	1	14
	10	23
	20	15
114299-01830	1	47
	10	29
	20	31
114299-01950	1	36
	9	19
	10	22
	19	15
	20	37
	28	20
114299-02030	1	38
	10	38
	20	39
114299-07110	19	2
114299-07160	19	3
114299-11900	2	29
	11	30
	21	28
114299-11950	2	35
	11	36
114299-12010	3	10
114299-12200	3	11

Parts No.	Fig. No.	Ref. No.
114299-12200	9	25
114299-12210	3	1
	9	26
	12	1
	19	22
114299-13200	3	15
	9	27
	13	1
	19	23
114299-21400	4	20
114299-22300	4	30
114299-45100	6	3
114299-45110	6	3 -1
114299-45210	6	1
114299-55210	8	14
114299-55230	8	15
114299-61210	5	21
	15	22
114299-66010	5	41
114299-66200	5	42
	15	31
	24	42
114299-76610	6	27
	16	28
114299-92590	19	5
114299-92600	19	6
114299-92710	19	7
114299-92720	19	8
114299-92730	19	9
114299-92740	19	10
114350-01200	10	7
114350-01210	10	8
114350-01220	10	9
114350-01250	10	11
114350-01380	10	13
	19	13
114350-01412	10	14
	19	14
114350-01700	1	5
	10	5
	20	5
114350-02100	10	17
114350-02113	10	39
114350-02200	10	44
114350-02210	10	45
114350-11101	11	6
114350-11113	11	7
114350-11120	11	8
114350-11340	11	15
	19	18

Parts No.	Fig. No.	Ref. No.
114350-11470	2	17
	11	18
	21	16
114350-12202	12	11
	19	21
114350-14450	14	7
114350-45320	16	2
	25	2
114350-45340	16	3
	25	3
114350-59800	17	46
114350-76590	16	24
114350-76591	16	24 -1
114350-92311	19	33
114350-92350	19	34
114351-78251	18	21
	27	20
114351-78751	18	22
	27	21
114351-78761	18	23
	27	22
114362-21600	14	23
114362-77011	18	1
	27	1
114368-01453	10	15
114368-92300	19	32
114370-45351	6	7
	16	10
	25	10
114371-77160	18	7
	27	7
114371-77170	18	13
	27	13
114371-79040	18	8
	27	8
114371-79050	18	9
	27	9
114371-79060	18	10
	27	10
114371-79070	18	17
	27	17
114380-23100	14	39
114381-77110	18	2
	27	2
114381-77130	18	5
	27	5
114381-77140	18	6
	27	6
114381-77150	18	12
	27	12

Parts No.	Fig. No.	Ref. No.
114399-01330	10	12
	19	12
114399-12010	12	10
114399-21400	14	20
114399-22300	14	33
114399-45100	16	6
114399-45110	16	6 -1
114399-66010	15	30
114650-01230	20	9
114650-01240	20	10
114650-01250	20	11
114650-01260	20	12
114650-01380	20	14
	28	18
114650-01412	20	26
	28	19
114650-02100	20	29
114650-02150	20	40
114650-02200	20	46
114650-11011	21	1
114650-11100	21	6
114650-11121	21	8
114650-11261	21	12
114650-11311	21	33
	28	25
114650-11340	21	13
	28	23
114650-11600	21	17
114650-11652	21	18
114650-11951	21	34
114650-12211	22	1
	28	27
114650-12301	22	13
	28	26
114650-12520	22	4
114650-12530	22	5
114650-12590	22	7
114650-13201	22	26
114650-14200	23	5
114650-14401	23	7
114650-21551	23	19
114650-32010	24	1
114650-45201	25	1
114650-45330	25	9
114650-51300	26	10
114650-53000	26	22
114650-53300	26	30
114650-55810	8	18
114650-59800	26	46

Parts No. Index

Parts No.	Fig. No.	Ref. No.
114650-59850	26	52
114650-66600	24	43
114650-76520	25	13
114650-76540	25	16
114650-76631	25	23 -1
114650-92310	28	12
114650-92350	28	13
114654-11110	21	7
114660-01471	20	27
114660-21402	23	20
114660-76051	25	11
114660-76052	25	11 -1
114660-76250	25	12
114660-76251	25	12 -1
114660-76530	25	14
114660-76531	25	14 -1
114660-76591	25	27
114660-76592	25	27 -1
114661-92300	28	11
114662-21593	23	21
114662-21601	23	23
114668-45102	25	30
114685-61210	24	54
114699-01330	20	13
	28	17
	10	20
	20	35
114699-12020	22	12
114699-13200	22	17
	28	28
114699-22300	23	33
114699-45100	25	6
114699-61210	24	21
114699-66010	24	41
114770-11020	2	1
114770-13551	3	18
114770-23100	4	36
114770-61190	5	28
	15	29
	24	28
114770-61520	5	52
	15	52
114770-61600	5	26
	15	27
	24	26
114770-61610	5	27
	15	28
	24	27
114770-66550	5	43
114771-14260	4	6

Parts No.	Fig. No.	Ref. No.
114771-14260	14	6
	23	6
114870-11021	11	1
114870-13551	13	2
114870-45201	16	1
114870-53100	17	22
114870-76530	16	15 -1
	25	15 -1
114870-76540	16	16 -1
	25	16 -1
114870-76560	16	17 -1
	25	18 -1
114870-76570	16	23 B
	25	19 -1
114870-76580	16	23 C
	25	26 B
114870-76620	16	20 -1
	25	22 -1
114870-76630	16	21 -1
114880-76050	16	11
114880-76051	16	11 -1
114880-76250	16	12
114880-76251	16	12 -1
114880-76510	16	13
114880-76511	16	13 -1
114880-76520	16	14 -1
	25	13 -1
114880-76550	16	23 A
	25	26 A
114881-21590	14	21
114970-01340	20	47
	28	16
114970-13550	22	18
114970-13560	22	20
114970-13700	22	21
114970-13710	22	22
114970-51100	26	4
114970-66010	24	59
118200-23200	14	38
119260-11370	2	15
		28
119265-23200	4	35
119620-11180	21	9
122710-01220	23	18
124060-23100	23	37
124550-51350	7	15
	17	15
	26	15
124722-59050	8	25
124950-01250	1	11

Parts No.	Fig. No.	Ref. No.
129792-22400	23	34
135210-61090	5	49
	15	38
	24	49
160110-02220	1	40
	10	40
		41
160210-02220	1	41
160260-01580	22	19
160260-76520	6	11
160260-76530	6	12
160260-76540	6	13
160260-76550	6	14
160260-76560	6	15
160260-76580	6	17
160260-76590	6	18
160260-76600	6	19
160260-76620	6	21
160260-76630	6	22
160290-76570	6	16
160710-78710	18	24
	27	23
160810-76520	16	14
160810-76540	16	16
160810-76580	16	18
160810-76620	16	20
160810-76630	16	21
160840-76530	16	15
160840-76560	16	17
160910-76530	25	15
160910-76550	25	17
160910-76560	25	18
160910-76570	25	19
160910-76580	25	20
160910-76620	25	22
160910-76630	25	23
160910-76650	25	24
160970-77350	18	28
	27	27
181130-76680	16	22
181130-76700	16	23
183250-07230	9	30
	19	35
	28	3
183250-66050	5	30
	15	41
	24	30
183250-66070	5	31
	15	42
	24	31

Parts No.	Fig. No.	Ref. No.
183250-66100	5	32
	15	43
	24	32
183250-66500	5	29
	15	40
	24	29
183350-51200	17	4
183350-77400	18	30
	27	29
183720-55210	16	4
	25	4
22117-080000	8	19
22190-160002	1	37
	9	21
	10	37
	19	17
	20	38
	28	22
22217-060000	25	25
22252-000190	4	31
22252-000210	14	34
22312-030160	2	42
	5	8
	11	43
	15	8
	21	41
	24	8
22322-030200	5	18
	15	19
	15	19
	24	18
	25	19
22351-020006	7	19
	17	19
	26	19
22351-030008	7	20
	17	20
	26	20
22351-040008	2	30
	11	31
	21	29
22451-060000	5	50
	15	39
	24	50
22512-040120	4	21
	14	24
22512-050140	23	24
23414-120000	8	4
23876-010000	1	44

Parts No. Index

Parts No.	Fig. No.	Ref. No.
23876-010000	10	46
	20	44
24101-062024	4	43
	14	46
24101-062034	23	45
24101-063034	23	46
24162-152112	1	42
	10	42
	20	41
24341-000150	8	17
24341-000224	5	12
	9	29
	15	12
	24	12
	28	30
24423-355008	20	42
		43
26106-060082	6	24
	16	25
	25	28
26106-060122	3	24
	6	2
		25
	13	8
	16	26
	18	20
		29
	25	29
	27	24
		28
26106-060162	5	51
	15	13
	24	51
26106-060202	25	5
26106-060252	1	31
	3	12
	12	12
	22	14
26106-060452	5	39
	15	50
	24	39
26106-060552	2	45
	11	5
26106-060702	21	5
26106-080122	1	43
	10	43
	20	7
26106-080182	22	23
26106-080352	1	32
	10	33

Parts No.	Fig. No.	Ref. No.
26106-080352	20	33
26106-080452	2	31
	8	20
	11	32
26106-100122	1	6
	10	6
	20	6
26106-100302	18	19
	27	19
26106-100552	21	30
26116-060454	9	8
	19	28
	28	7
26116-080454	9	9
	19	29
	28	8
26216-080182	3	16
	13	9
	22	24
26226-060142	3	13
	12	13
	22	15
26226-060182	1	22
	10	34
	20	23
26226-060222	1	23
	10	35
	20	24
26226-060502	2	32
	11	33
	21	31
26226-060552	3	14
	12	14
26226-060752	22	16
26366-060002	1	24
	2	33
	8	21
	10	36
	11	34
	20	25
	21	32
26366-080002	3	17
	13	10
	22	25
26367-060002	13	13
26476-060142	5	9
		40
	8	22
	15	9
		51

Parts No.	Fig. No.	Ref. No.
26476-060142	24	9
		40
26476-060202	16	5
	18	25
	27	25
26554-060182	13	12
26577-060142	18	26
	27	26
26696-100002	5	37
		48
	15	37
		48
	24	37
		48
26716-060002	9	10
	19	30
	28	9
26716-080002	9	11
	18	27
	19	31
	27	30
	28	10
26717-060002	25	26
26756-060002	11	28
26757-060002	5	38
	15	49
	24	38
26856-060002	2	22
		27
	11	23
	21	21
		26
27310-060001	11	10
27310-070001	21	10
714250-11570	2	9
714250-12560	3	2
	12	2
714250-22502	4	24
714250-22542	4	46
714250-22550	4	52
714250-53101	7	21
714250-61500	5	13
714270-11660	2	23
714271-01560	1	1
714280-22580	4	50
714280-22620	4	44
714280-22720	4	22
714288-21730	4	11
714299-55300	8	1
714299-61700	5	20

Parts No.	Fig. No.	Ref. No.
714299-61700	15	21
714299-92600	9	15
714350-28520	14	42
714350-61500	15	14
714370-11660	11	24
714380-23600	14	40
714380-23610	14	59
714380-23620	14	61
714380-23700	14	35
714388-21730	14	11
714399-92600	19	11
714650-12560	22	2
714650-23600	23	39
714650-23610	23	59
714650-23620	23	61
714650-23700	23	35
714650-53100	26	21
714650-61500	24	13
714670-11660	21	22
714685-61700	24	53
714689-14580	23	1
714699-61700	24	20
714699-92620	28	15
714770-23600	4	37
714770-23610	4	56
714770-23620	4	58
714770-23700	4	32
714770-28510	4	39
714780-14580	4	1
714788-51100	7	1
714870-22500	14	27
714870-22540	14	49
714870-22550	14	55
714870-53200	17	21
714871-01560	10	1
714880-14580	14	1
714880-22580	14	53
714880-22620	14	47
714880-22720	14	25
714970-01560	20	1
714970-22500	23	27
714970-22540	23	49
714970-22550	23	55
714970-28511	23	41
714970-51700	26	1
714970-92600	28	14
714980-22580	23	53
714980-22620	23	47
714980-22720	23	25
714988-21730	23	11

Parts No. Index

Parts No.	Fig. No.	Ref. No.
783350-51701	17	1
X2114274200	18	18
	27	18
X2114275010	18	15
	27	15
X2114455080	18	11
	27	11
X2114560130	18	14
	27	14
X2114680050	18	16
	27	16
X2114715500	18	4
	27	4
X2114811000	18	3
	27	3

Parts No.	Fig. No.	Ref. No.
-----------	----------	----------

Parts No.	Fig. No.	Ref. No.
-----------	----------	----------

Parts No.	Fig. No.	Ref. No.
-----------	----------	----------