

0CV10-M50500EN

PREFACE

1.This Parts Catalog carries all parts incorporated in YANMAR Model L100AE - DGMO & L100AE - DEGMO engines manufactured since SEPTEMBER, 1996.

2.Each illustration corresponds to the parts list on the following page.

3.When ordering parts, clearly write down the engine model and serial number, as well as the name and number of each part in your order sheet. This will help insure reliable delivery of the parts you have ordered.

Directions for the Parts Catalog.

1. The parts stipulated in this Parts Catalog are not necessarily standard equipped parts.
2. Parts may change without prior notice.
3. The following is an example of the Parts Catalog format.

REF.	LEV.	PARTS NO.	DESCRIPTION	Q'TY						I	R
				(A)	(B)	(C)	(D)	(E)	(F)		
1	1	729595-51390	FUEL INJECTION PUMP	1	1	1	1	1			1
1-1	1	729595-51391	FUEL INJECTION PUMP	1	1	1	1	1		N	1
		(A=E00185) (B=E00200)									
3	2	26022-060162	SCREW M 6X 16	9	9	9	9	9			
3-1	2	26022-060162	SCREW M 6X 16	4	4	4	4	4		K	
		(A=E00156) (B=E00156) (C=E00156) (D=E00156) (E=E00156)									
4	2	129470-51040	CAMSHAFT	1	1	1	1	1			
5	2	122710-51050	BEARING, ROLLER	2	2	2	2	2			
6	2	129470-51060	RETAINER	1	1	1	1	1			

Remarks
(1) BOOST COMPEMSATOR TYPE. OPTIONAL PART, TO E00155,(4JH-DT, 4JH-DTZ

① Ref. No.

The Ref. No. listed may not be in accordance with the illustration Ref. No.

(Ex.) Illustration No. List Ref No.

1 1 (Before change) → 1-1 (After change)

For interchangeable symbols N, R and K, illustrations for new parts may be abbreviated.

② Lev. (Level)

Level indication

The numbers below indicate the level of relativity towards the main part.

1 ---- Main parts (Assembly parts)

2 ---- Sub component included in " 1 ".

3 ---- Sub component included in " 2 ".

Note) Parts that are not for sale are partially illustrated but not listed.

③ Interchangeability Mark

When a part change takes place, one of the following interchangeability symbols is indicated beside the part.

Symbol	Interchangeability	Contents note
N	Old $\begin{matrix} \leftarrow \text{Yes} \\ \text{No} \rightarrow \end{matrix}$ New	New Part is interchangeable for Old Part but Old Part is not interchangeable for New Part.
Q	Old $\begin{matrix} \leftarrow \text{No} \\ \text{Yes} \rightarrow \end{matrix}$ New	New Part is not interchangeable for Old Part but Old Part is interchangeable for New Part.
R	Old $\begin{matrix} \leftarrow \text{Yes} \\ \text{Yes} \rightarrow \end{matrix}$ New	New/ Old Parts are both interchangeable.
S	Old $\begin{matrix} \leftarrow \text{No} \\ \text{No} \rightarrow \end{matrix}$ New	New/ Old Parts are both not interchangeable.
W		Part newly added.
Z		Part discontinued.
F		Not interchangeable by a single part but interchangeable together with related parts.
K		Changes only for used parts quantities.

④ Effective Machine No.

When a part changes, the effective Machine No. will be indicated in the (A)-(F) column.

Product Symbol	Product No.	Product Symbol	Product No.
C	Clutch No. Compressor No.	F	Machine No. (Agricultural Equip.)
D	Drive No.	M	Machine No.
E	Engine No.		

Note 1) A date may follow the symbol. (Ex.) 1996.01

Note 2) "XXXXX" and "ZZZZZ" are for parts that could not be predicted or for engine models that could not be identified.

Note 3) (A=E00185) is the E (Engine Serial Number) for the column (A) model (in this case 4JH-DT) after the parts design change.

⑤ Remarks Mark

Figures or alphabets (symbols) are entered in the remarks column.

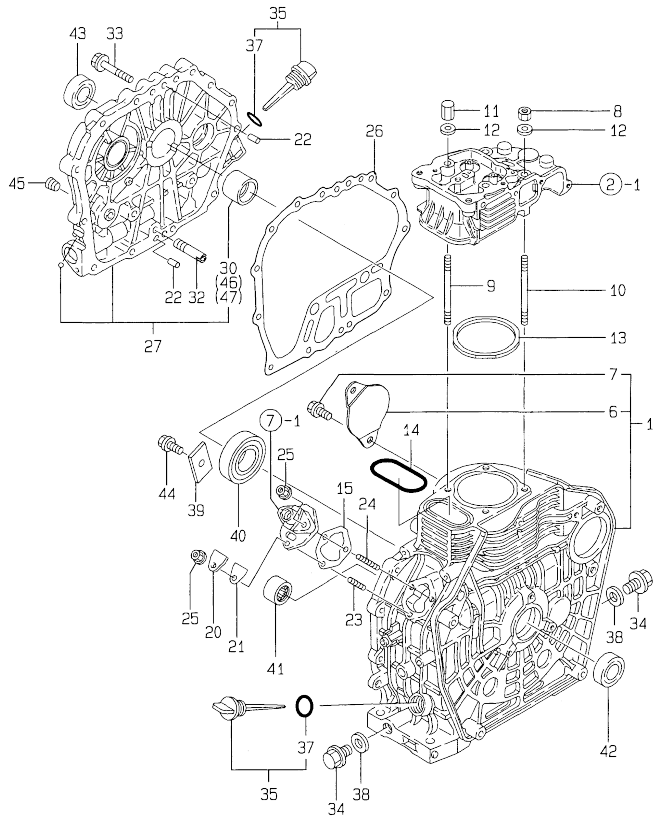
The comments (remarks) on parts that are indicated at the bottom of the illustration are the same symbols as those stated above.

Contents

Fig. No.	Fig. Name	Fig. No.	Fig. Name
L100AE-D(E)GMO			
1.	CYLINDER BLOCK		
2.	CYLINDER HEAD & BONNET		
3.	AIR CLEANER & MUFFLER		
4.	CRANKSHAFT,PISTON & CAMSHAFT		
5.	LUB.OIL PUMP & GOVERNOR		
6.	COOLING & STARTING DEVICE		
7.	FUEL INJECTION PUMP		
8.	STARTING MOTOR & DYNAMO		
9.	TOOL,LABEL & GASKET SET		

Fig.1. CYLINDER BLOCK

1. CYLINDER BLOCK

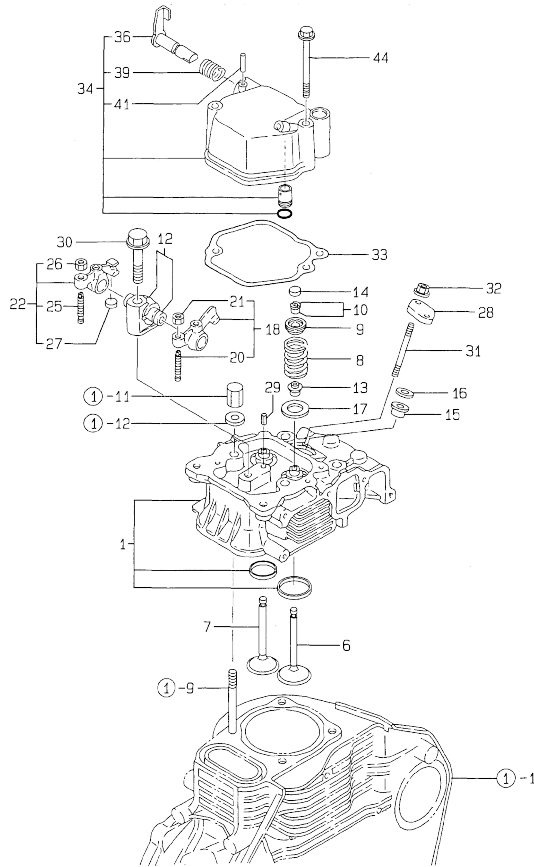


Remarks
 (1) REPAIR PART.
 (2) UNDER-SIZE(U.S=0.25)PART.
 (3) UNDER-SIZE(U.S=0.50)PART.
 (G) THESE PARTS ARE SOLD BY FIG.9,
 REF.NO.14.

No.	Lev.	Parts No.	Description	Q'ty						I	R
				(A)	(B)	(C)	(D)	(E)	(F)		
1	1	714970-01560	BLOCK ASSY, CYLINDER	1	1						
6	2	114350-01700	COVER	1	1						
7	2	26106-100122	BOLT, M10X 12 PLATED	2	2						
8	1	105025-01220	NUT, CYLINDER HEAD	2	2						
9	1	114650-01230	BOLT, HEAD	2	2						
10	1	114650-01240	BOLT, HEAD	2	2						
11	1	114650-01250	NUT, CYLINDER HEAD	2	2						
12	1	114650-01260	WASHER	4	4						
13	1	114970-01340	GASKET, HEAD	1	1						G
14	1	114650-01380	O-RING	1	1						G
15	1	114250-01800	SHIM SET	1	1						
20	1	114250-01830	COVER	1	1						
21	1	114250-01841	GASKET	1	1						G
22	1	114270-01600	PIN, M8X12	2	2						
23	1	26226-060182	STUD, M6X 18	1	1						
24	1	26226-060222	STUD, M6X 22	2	2						
25	1	26366-060002	NUT, M6	3	3						
26	1	114650-01412	GASKET, CRANK CASE	1	1						G
27	1	114660-01471	COVER, CRANK CASE	1	1						
30	2	114650-02100	BEARING, MAIN	1	1						1
32	1	114250-35150	PIPE, OIL INLET	1	1						
33	1	26106-080352	BOLT, M8X 35 PLATED	16	16						
34	1	105425-01690	PLUG, 16	2	2						
35	1	160910-01740	CAP ASSY	2	2						
37	2	24311-000180	O-RING, 1AP18.0	2	2						G
38	1	22190-160002	WASHER, SEAL 16	2	2						G
39	1	114250-02030	RETAINER, BEARING	1	1						
40	1	114650-02150	BEARING, HR6308G3C3	1	1						
41	1	24162-152112	BEARING, 152112	1	1						
42	1	24423-355008	SEAL, OIL TC355008	1	1						
43	1	24423-355008	SEAL, OIL TC355008	1	1						
44	1	26106-080122	BOLT, M8X 12 PLATED	1	1						
45	1	23871-010000	PLUG, R01	1	1						
46	1	114650-02200	BEARING, 0.25 US	1	1						2
47	1	114650-02210	BEARING, 0.50 US	1	1						3

Fig.2. CYLINDER HEAD & BONNET

2. CYLINDER HEAD & BONNET



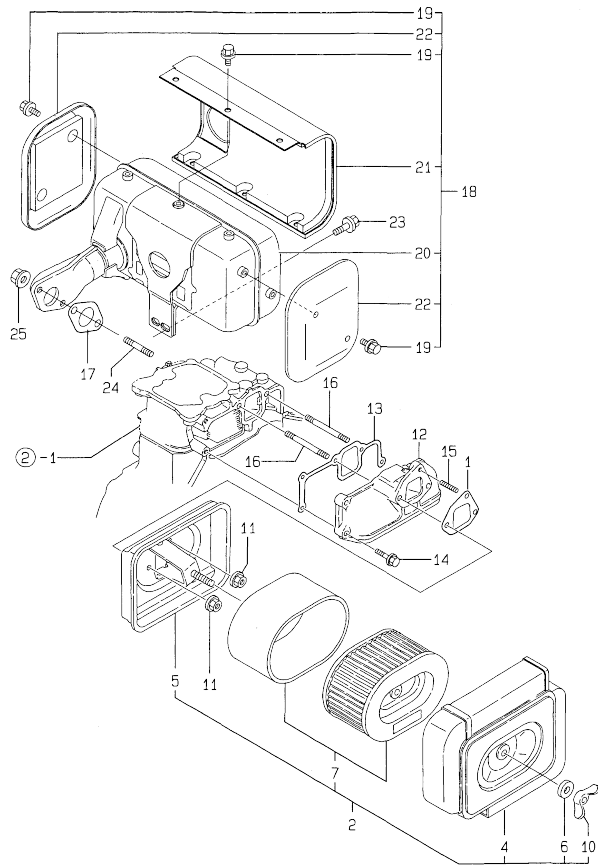
(A)=L100AE-DGMO
(B)=L100AE-DEGMO
(C)=
(D)=
(E)=
(F)=

No.	Lev.	Parts No.	Description	Q'ty						I	R
				(A)	(B)	(C)	(D)	(E)	(F)		
1	1	114650-11010	HEAD ASSY, CYLINDER	1	1						
6	1	114650-11100	VALVE, INTAKE	1	1						
7	1	114654-11110	VALVE, EXHAUST	1	1						
8	1	114650-11121	SPRING, VALVE	2	2						
9	1	119620-11180	RETAINER, SPRING	2	2						
10	1	27310-070001	COTTER, 7	2	2						
12	1	114650-11261	SUPPORT, ROCKER ARM	1	1						
13	1	114650-11340	SEAL, VALVE STEM	2	2						G
14	1	104211-11370	CAP, VALVE	1	1						
15	1	114250-11460	GASKET, NOZZLE	1	1						G
16	1	114350-11470	SPACER, NOZZLE	1	1						
17	1	114650-11600	WASHER	2	2						
18	1	114650-11652	ARM, ROCKER	1	1						
20	2	114250-11240	SCREW, VALVE ADJUST	1	1						
21	2	26756-060002	NUT, LOCK M6	1	1						
22	1	714670-11660	ARM ASSY, ROCKER	1	1						
25	2	114250-11240	SCREW, VALVE ADJUST	1	1						
26	2	26756-060002	NUT, LOCK M6	1	1						
27	2	104211-11370	CAP, VALVE	1	1						
28	1	114250-11900	RETAINER, NOZZLE	1	1						
29	1	22351-040008	PIN, SPRING 4.0X 8	1	1						
30	1	26106-100552	BOLT, M10X 55 PLATED	1	1						
31	1	26226-060502	STUD, M6X 50	2	2						
32	1	26366-060002	NUT, M6	2	2						
33	1	114650-11311	GASKET, BONNET	1	1						G
34	1	114650-11951	BONNET ASSY, HEAD	1	1						
36	2	114250-03591	LEVER ASSY	1	1						
39	2	114250-03640	SPRING, DECOMPRESSION	1	1						
41	2	22312-030160	PIN, PARALLEL M3X16	1	1						
44	1	26106-060702	BOLT, M6X 70 PLATED	2	2						

Remarks
(G) THESE PARTS ARE SOLD BY FIG.9,
REF.NO.14.

Fig.3. AIR CLEANER & MUFFLER

3. AIR CLEANER & MUFFLER

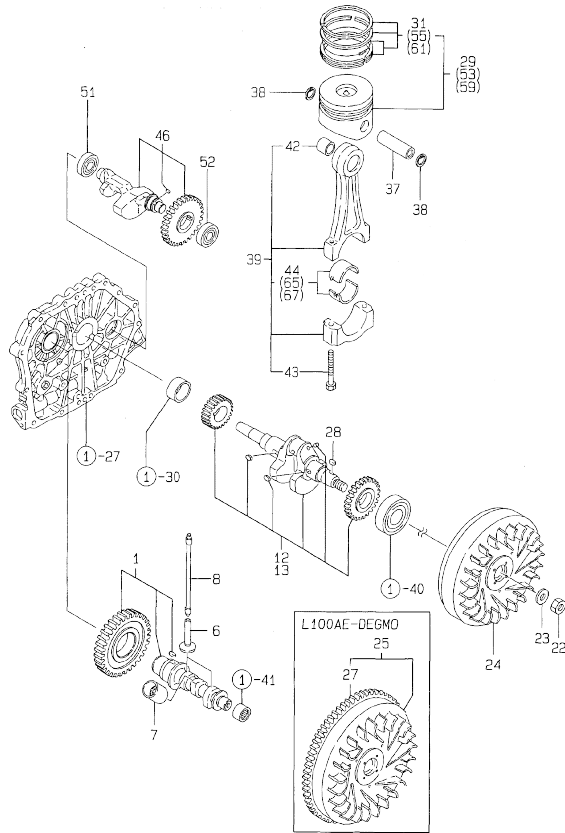


No.	Lev.	Parts No.	Description	Q'ty						I	R	
				(A)	(B)	(C)	(D)	(E)	(F)			
1	1	114650-12211	GASKET, AIR CLEANER	1	1							
2	1	714650-12560	CLEANER ASSY, AIR	1	1							G
4	2	114650-12520	COVER, AIR CLEANER	1	1							
5	2	114650-12530	CASE ASSY, CLEANER	1	1							
6	2	114252-12560	WASHER, SEAL M8	1	1							
7	2	114650-12590	ELEMENT ASSY	1	1							
10	2	114252-12550	NUT, WING M8	1	1							
11	1	26366-060002	NUT, M6	3	3							
12	1	114650-12020	PIPE, AIR INTAKE	1	1							
13	1	114650-12301	GASKET	1	1							G
14	1	26106-060252	BOLT, M6X 25 PLATED	3	3							
15	1	26226-060142	STUD, M6X 14	1	1							
16	1	26226-060752	STUD, M6X 75	2	2							
17	1	114650-13201	GASKET (NON-ASB.)	1	1							G
18	1	114970-13550	MUFFLER ASSY	1	1							
19	2	160260-01580	BOLT, FLANGE M6X6	10	10							
20	2	114970-13560	MUFFLER	1	1							
21	2	114970-13700	COVER	1	1							
22	2	114970-13710	COVER	2	2							
23	1	26106-080182	BOLT, M8X 18 PLATED	2	2							
24	1	26226-080202	STUD, M8X 20	2	2							
25	1	26366-080002	NUT, M8	2	2							

Remarks
 (G) THESE PARTS ARE SOLD BY FIG.9,
 REF.NO.14.

Fig.4. CRANKSHAFT,PISTON & CAMSHAFT

4. CRANKSHAFT, PISTON & CAMSHAFT



Remarks

- (1) OVER-SIZE (O.S=0.25) PART.
- (2) OVER-SIZE (O.S=0.50) PART.
- (3) UNDER-SIZE (U.S=0.25) PART.
- (4) UNDER-SIZE (U.S=0.50) PART.

(A)=L100AE-DGMO
(B)=L100AE-DEGMO
(C)=

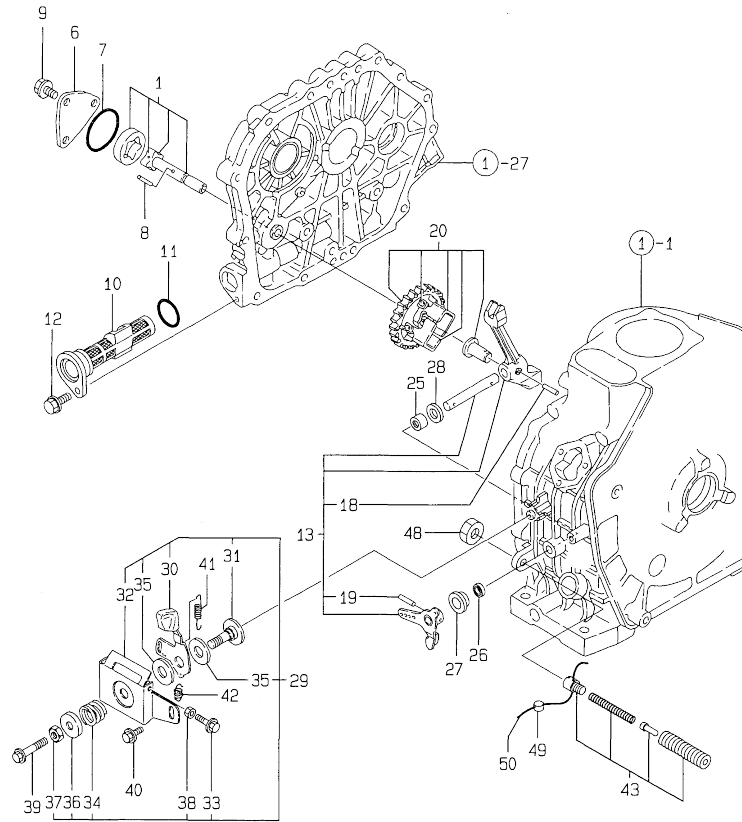
(D)=
(E)=
(F)=

No.	Lev.	Parts No.	Description	Q'ty					
				(A)	(B)	(C)	(D)	(E)	(F)
1	1	714689-14580	CAMSHAFT ASSY	1	1				
6	1	114650-14200	TAPPET	2	2				
7	1	114250-14260	TAPPET	1	1				
8	1	114650-14401	ROD ASSY, PUSH	2	2				
12	1	714689-21730	CRANKSHAFT ASSY	1					
13	1	714988-21730	CRANKSHAFT ASSY		1				
22	1	122710-01220	NUT, CYLINDER HEAD	1	1				
23	1	114650-21551	WASHER	1	1				
24	1	114660-21401	FLYWHEEL	1					
25	1	114662-21592	FLYWHEEL ASSY		1				
27	2	114662-21601	GEAR, RING		1				
28	1	22512-050140	KEY, 5X 14	1	1				
29	1	714980-22720	PISTON ASSY, D		1	1			
31	2	714970-22500	RING SET, PISTON	1	1				
37	1	114650-22300	PIN, PISTON D=23	1	1				
38	1	129792-22400	CIRCLIP, 23	2	2				
39	1	714650-23700	ROD ASSY, CONNECTING	1	1				
42	2	124060-23100	BEARING, PISTON PIN	1	1				
43	2	104200-23201	BOLT, CONNECTING ROD	2	2				
44	2	714650-23600	BEARING, CRANK PIN	1	1				
46	1	714970-28511	SHAFT ASSY, BALANCER	1	1				
51	1	24101-062034	BEARING, BALL 6203	1	1				
52	1	24101-063034	BEARING, BALL 6303	1	1				
53	1	714980-22620	PISTON ASSY, 0.25 OS	1	1				1
55	2	714970-22540	RING SET, 0.25 OS	1	1				1
59	1	714980-22580	PISTON ASSY, 0.50 OS	1	1				2
61	2	714970-22550	RING SET, 0.50 OS	1	1				2
65	1	714650-23610	BEARING ASSY, 0.25	1	1				3
67	1	714650-23620	BEARING, 0.50 US	1	1				4

OCV10-M50500

Fig.5. LUB.OIL PUMP & GOVERNOR

5.LUB.OIL PUMP & GOVERNOR



Remarks
(G) THESE PARTS ARE SOLD BY FIG.9,
REF.NO.14.

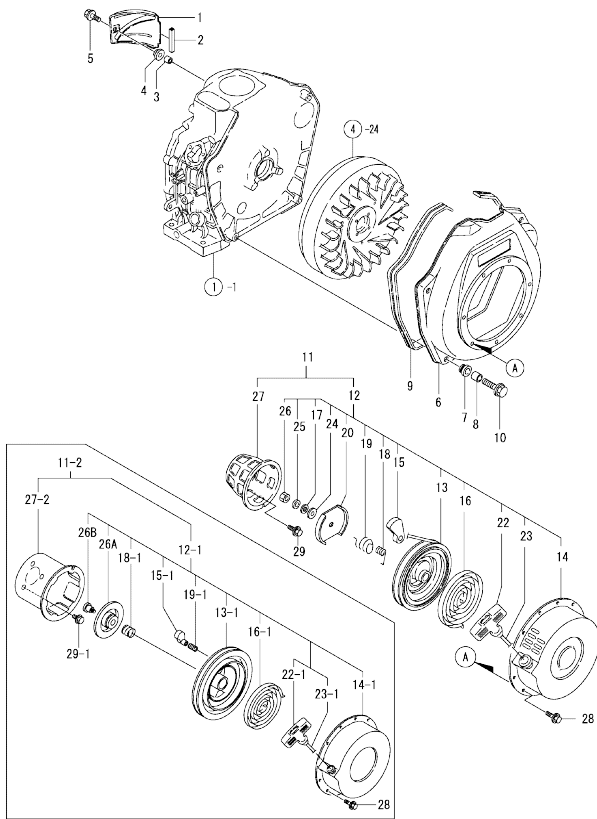
(A)=L100AE-DGMO (D)=
(B)=L100AE-DEGMO (E)=
(C)= (F)=

No.	Lev.	Parts No.	Description	Q'ty						I	R
				(A)	(B)	(C)	(D)	(E)	(F)		
1	1	114650-32010	PUMP ASSY, OIL	1	1						
6	1	114250-32070	COVER	1	1						
7	1	103338-32570	O-RING	1	1						G
8	1	22312-030160	PIN, PARALLEL M3X16	1	1						
9	1	26476-060142	SCREW, TAPPING M6X14	3	3						
10	1	114250-35070	FILTER, OIL	1	1						
11	1	24341-000224	O-RING, 1AS22.4	1	1						G
12	1	26106-060162	BOLT, M6X 16 PLATED	1	1						
13	1	714650-61500	LEVER ASSY, GOVERNOR	1	1						
18	2	22322-030200	PIN, TAPER 3X20	1	1						
19	2	22322-030200	PIN, TAPER 3X20	1	1						
20	1	714685-61700	GOVERNOR ASSY	1	1						
25	1	114270-61520	BEARING, NEEDLE 8	2	2						
26	1	114770-61600	SEAL, OIL	1	1						
27	1	114770-61610	WASHER, THRUST	1	1						
28	1	114770-61190	WASHER	1	1						
29	1	183250-66500	BRACKET ASSY	1	1						
30	2	183250-66050	HANDLE, REGULATOR	1	1						
31	2	183250-66070	SHAFT, HANDLE	1	1						
32	2	183250-66100	BRACKET, RADIATOR	1	1						
33	2	114250-66440	BOLT, ADJUSTING	1	1						
34	2	104200-66820	SPRING	1	1						
35	2	104200-66830	PLATE, FRICTION	2	2						
36	2	104200-66850	WASHER	1	1						
37	2	26696-100002	NUT, LOCK M10	1	1						
38	2	26757-060002	NUT, LOCK M6	1	1						
39	1	26106-060452	BOLT, M6X 45 PLATED	1	1						
40	1	26476-060142	SCREW, TAPPING M6X14	1	1						
41	1	114970-66010	SPRING, REGULATOR	1	1						
42	1	114250-66200	SPRING, RETURN	1	1						
43	1	114650-66600	LIMITER ASSY, FUEL	1	1						
48	1	26696-100002	NUT, LOCK M10	1	1						
49	1	135210-61090	LEAD	2	2						
50	1	22451-060000	WIRE, 0.6	2	2						

N:Old $\frac{100}{100}$ New, Q:Old $\frac{100}{100}$ New, R:Old $\frac{100}{100}$ New, S:Old $\frac{100}{100}$ New, W:Add, Z:Discontinued, F:Interchangeable by set, K:Q'ty Change
Copyright (C) YANMAR CO., LTD. All Rights Reserved.

OCV10-M50500

Fig.6. COOLING & STARTING DEVICE



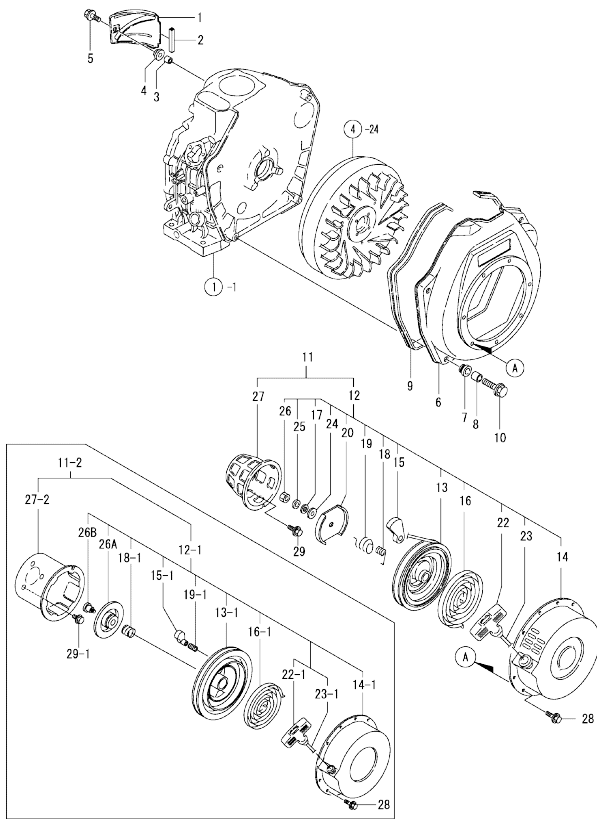
No.	Lev.	Parts No.	Description	Q'ty						I	R
				(A)	(B)	(C)	(D)	(E)	(F)		
1	1	114650-45201	COVER	1	1						
2	1	114350-45320	RUBBER, SEAL	1	1						
3	1	114350-45340	COLLAR	1	1						
4	1	183720-55210	GROMMET	1	1						
5	1	26476-060202	SCREW, TAPPING M6X20	1	1						
6	1	114668-45102	CASE, COOLING FAN	1	1						
7	1	114250-45300	ABSORBER	4	4						
8	1	114250-45310	COLLAR	4	4						
9	1	114650-45330	SEAL, FAN CASE L=950	1	1						
10	1	114370-45350	BOLT	4	4						
11	1	114660-76050	STARTER ASSY, RECOIL	1	1						
11-1	1	114660-76051	STARTER ASSY, RECOIL	1	1						S
		(A=EZZZZZ)	(B=EZZZZZ)								
11-2	1	114660-76052	STARTER ASSY, RECOIL	1	1						R 1
		(A=EZZZZZ)	(B=EZZZZZ)								
12	2	114660-76250	STARTER ASSY, RECOIL	1	1						S
12-1	2	114660-76251	STARTER ASSY, RECOIL	1	1						S
		(A=EZZZZZ)	(B=EZZZZZ)								
13	3	114650-76520	REEL	1	1						S
13-1	3	114880-76520	REEL	1	1						S
		(A=EZZZZZ)	(B=EZZZZZ)								
14	3	114660-76530	CASE, STARTER	1	1						S
14-1	3	114660-76531	CASE, STARTER	1	1						S
		(A=EZZZZZ)	(B=EZZZZZ)								
15	3	160910-76530	RATCHET	1	1						S
15-1	3	114870-76530	RATCHET	2	2						S
		(A=EZZZZZ)	(B=EZZZZZ)								
16	3	114650-76540	SPRING, SPIRAL	1	1						S
16-1	3	114870-76540	SPRING, SPIRAL	1	1						S
		(A=EZZZZZ)	(B=EZZZZZ)								
17	3	160910-76550	WASHER, THRUST	1	1						Z
		(A=EZZZZZ)	(B=EZZZZZ)								
18	3	160910-76560	SPRING, FRICTION	1	1						S
18-1	3	114870-76560	SPRING, FRICTION	1	1						S
		(A=EZZZZZ)	(B=EZZZZZ)								
19	3	160910-76570	SPRING, RETURN	1	1						S
19-1	3	114870-76570	SPRING, RETURN	2	2						S
		(A=EZZZZZ)	(B=EZZZZZ)								
20	3	160910-76580	PLATE, FRICTION	1	1						Z
		(A=EZZZZZ)	(B=EZZZZZ)								
22	3	160910-76620	KNOB, STARTER	1	1						S
22-1	4	114870-76620	KNOB, STARTER	1	1						S
		(A=EZZZZZ)	(B=EZZZZZ)								
23	3	114650-76630	ROPE, STARTER	1	1						S
23-1	4	114650-76631	ROPE, STARTER	1	1						S
		(A=EZZZZZ)	(B=EZZZZZ)								
24	3	160910-76650	WASHER, THRUST	1	1						Z
		(A=EZZZZZ)	(B=EZZZZZ)								
25	3	22217-060000	WASHER, SPRING 6	1	1						Z
		(A=EZZZZZ)	(B=EZZZZZ)								
26	3	26717-060002	NUT, M6	1	1						Z

Remarks

(1) Interchangeable by simultaneous replacement with Ref.12-1 and Ref.27-2.

N:Old $\frac{100}{100}$ New, Q:Old $\frac{100}{100}$ New, R:Old $\frac{100}{100}$ New, S:Old $\frac{100}{100}$ New, W:Add, Z:Discontinued, F:Interchangeable by set, K:Q'ty Change
 ++ CONTINUE ++
 Copyright (C) YANMAR CO., LTD. All Rights Reserved.

Fig.6. COOLING & STARTING DEVICE

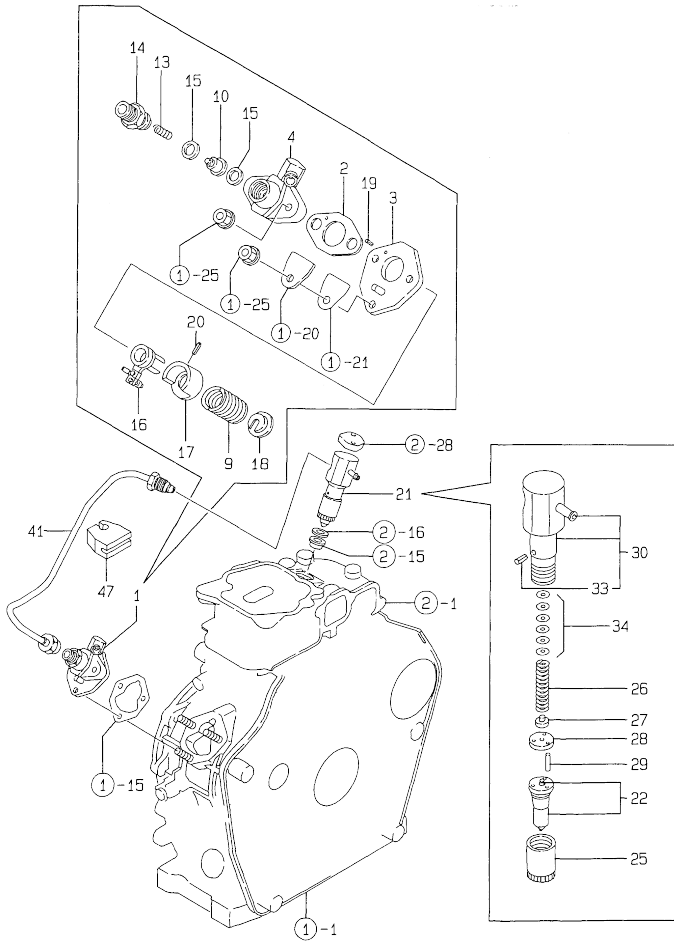


No.	Lev.	Parts No.	Description	Q'ty						I	R
				(A)	(B)	(C)	(D)	(E)	(F)		
		(A=EZZZZZ) (B=EZZZZZ)									
26A	3	114880-76550	GUIDE, RATCHET	1	1						W
		(A=EZZZZZ) (B=EZZZZZ)									
26B	3	114870-76580	SCREW	1	1						W
		(A=EZZZZZ) (B=EZZZZZ)									
27	2	114660-76590	PULLEY, STARTER	1	1						S
27-1	2	114660-76591	PULLEY, STARTER	1	1						S
		(A=EZZZZZ) (B=EZZZZZ)									
27-2	2	114660-76592	PULLEY, STARTER	1	1						S
		(A=EZZZZZ) (B=EZZZZZ)									
28	1	26106-060082	BOLT, M6X 8 PLATED	4	4						
29	1	26106-060122	BOLT, M6X 12 PLATED	4	4						
29-1	1	26106-060122	BOLT, M6X 12 PLATED	3	3						K
		(A=EZZZZZ) (B=EZZZZZ)									

Remarks
 (1) Interchangeable by simultaneous replacement with Ref.12-1 and Ref.27-2.

Fig.7. FUEL INJECTION PUMP

7.FUEL INJECTION PUMP

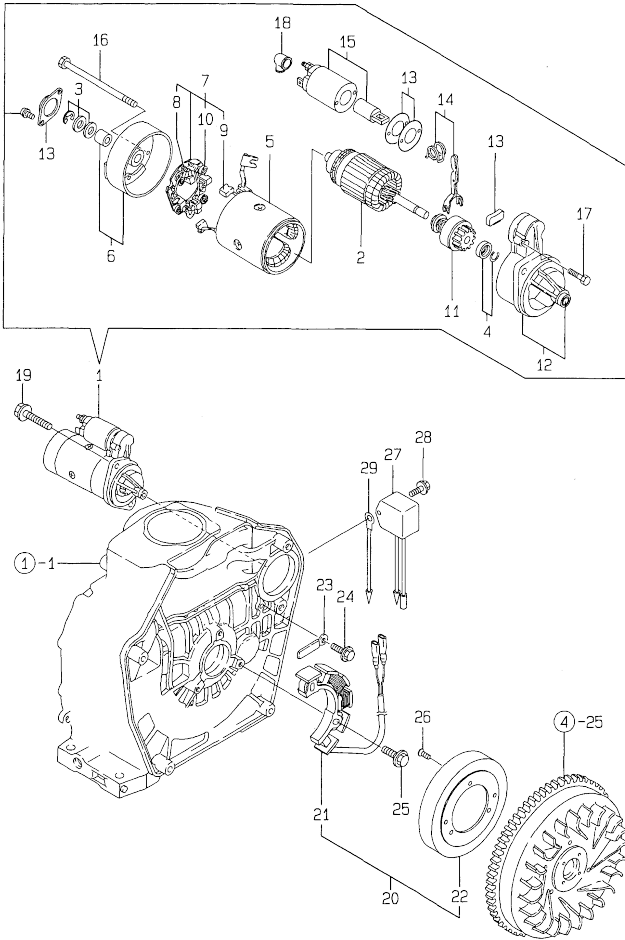


(A)=L100AE-DGMO
(B)=L100AE-DEGMO
(C)=
(D)=
(E)=
(F)=

No.	Lev.	Parts No.	Description	Q'ty						
				(A)	(B)	(C)	(D)	(E)	(F)	
1	1	714970-51700	PUMP ASSY, INJECTION	1	1					
2	2	105546-51020	GASKET	1	1					
3	2	114250-51080	PLATE	1	1					
4	2	114970-51100	BODY ASSY, PUMP	1	1					
9	2	114250-51160	SPRING, PLUNGER	1	1					
10	2	114650-51300	VALVE ASSY, DELIVERY	1	1					
13	2	105546-51330	SPRING, DELIVERY	1	1					
14	2	114250-51340	HOLDER, DELIVERY	1	1					
15	2	124550-51350	GASKET, DELIVERY	2	2					
16	2	114250-51600	LEVER ASSY, CONTROL	1	1					
17	2	114250-51640	SEAT, SPRING A	1	1					
18	2	114250-51650	SEAT, SPRING B	1	1					
19	2	22351-020006	PIN, SPRING 2.0X 6	2	2					
20	2	22351-030008	PIN, SPRING 3.0X 8	1	1					
21	1	714650-53100	VALVE ASSY, INJECTION	1	1					
22	2	114650-53000	VALVE ASSY, INJECTION	1	1					
25	2	114250-53080	NUT, NOZZLE D16.95	1	1					
26	2	114250-53120	SPRING, NOZZLE	1	1					
27	2	114250-53130	SEAT, SPRING	1	1					
28	2	114250-53140	PLATE	1	1					
29	2	114250-53210	PIN	2	2					
30	2	114650-53300	HOLDER ASSY, NOZZLE	1	1					
33	3	114250-53331	PIN	1	1					
34	2	114250-53400	SHIM SET	1	1					
41	1	114650-59800	PIPE ASSY, INJECTION	1	1					
47	1	114650-59850	SUPPORT	1	1					

Fig.8. STARTING MOTOR & DYNAMO

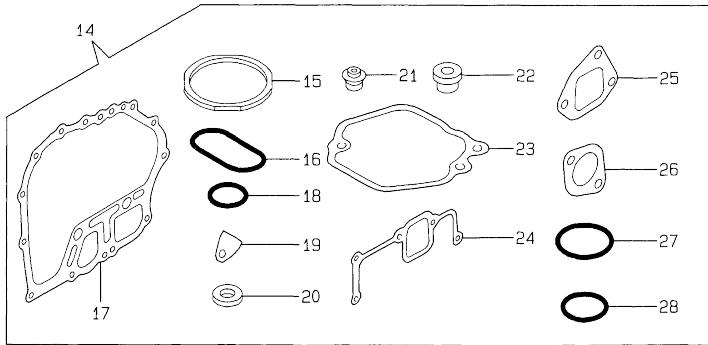
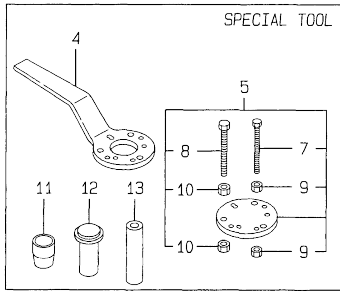
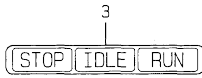
B. STARTING MOTOR & DYNAMO



No.	Lev.	Parts No.	Description	Q'ty						
				(A)	(B)	(C)	(D)	(E)	(F)	
1	1	114362-77011	STARTER (S114-414A)		1					
2	2	114381-77110	ARMATURE		1					
3	2	X2114811000	WASHER KIT, THRUST		1					
4	2	X2114715500	STOPPER SET, PINION		1					
5	2	114381-77130	COIL ASSY, FIELD		1					
6	2	114381-77140	COVER, REAR		1					
7	2	114371-77160	HOLDER ASSY, BRUSH		1					
8	3	114371-79040	BRUSH (-)		2					
9	3	114371-79050	BRUSH (+)		1					
10	3	114371-79060	SPRING, BRUSH		4					
11	2	X2114455080	PINION ASSY		1					
12	2	114381-77150	HOUSING ASSY, GEAR		1					
13	2	114371-77170	COVER KIT, DUST		1					
14	2	X2114560130	LEVER KIT, SHIFT		1					
15	2	X2114275010	SWITCH ASSY, MAGNET		1					
16	2	X2114680050	BOLT, THROUGH		2					
17	2	114371-79070	BOLT M 6X 37		2					
18	2	X2114274200	COVER, TERMINAL		1					
19	1	26106-100302	BOLT, M10X 30 PLATED		2					
20	1	114351-78251	DYNAMO ASSY		1					
21	2	114351-78751	STATOR ASSY		1					
22	2	114351-78761	WHEEL, DYNAMO		1					
23	1	160710-78710	CLAMP, CORD		1					
24	1	26476-060142	SCREW, TAPPING M6X14		1					
25	1	26476-060202	SCREW, TAPPING M6X20		3					
26	1	26577-060142	SCREW M 6X 14		3					
27	1	160970-77350	RECTIFIER, ZR2117		1					
28	1	26106-060122	BOLT, M6X 12 PLATED		1					
29	1	183350-77400	WIRE, LEAD		1					

Fig.9. TOOL, LABEL & GASKET SET

9. TOOL, LABEL & GASKET SET



Remarks
(1) OPIONAL PART.

(A)=L100AE-DGMO
(B)=L100AE-DEGMO
(C)=

(D)=
(E)=
(F)=

No.	Lev.	Parts No.	Description	Q'ty						I	R	
				(A)	(B)	(C)	(D)	(E)	(F)			
3	1	183250-07230	LABEL, OPERATION	1	1							
4	1	114250-92101	F.W. LOCKING HANDLE	1	1							1
5	1	114250-92130	REMOVER, FLYWHEEL	1	1							1
7	2	26116-060454	BOLT M 6X 45 PLATED	4	4							1
8	2	26116-080454	BOLT, M8X 45 PLATED	3	3							1
9	2	26716-060002	NUT, M6	8	8							1
10	2	26716-080002	NUT, M8	6	6							1
11	1	114661-92300	GUIDE	1	1							1
12	1	114650-92310	INSTALLING TOOL	1	1							1
13	1	114650-92350	INSTALLING TOOL	1	1							1
14	1	714988-92600	GASKET SET	1	1							1
15	2	114970-01340	GASKET, HEAD	1	1							1
16	2	114650-01380	O-RING	1	1							1
17	2	114650-01412	GASKET, CRANK CASE	1	1							1
18	2	24311-000180	O-RING, 1AP18.0	2	2							1
19	2	114250-01841	GASKET	1	1							1
20	2	22190-160002	WASHER, SEAL 16	2	2							1
21	2	114650-11340	SEAL, VALVE STEM	2	2							1
22	2	114250-11460	GASKET, NOZZLE	1	1							1
23	2	114650-11311	GASKET, BONNET	1	1							1
24	2	114650-12301	GASKET	1	1							1
25	2	114650-12211	GASKET, AIR CLEANER	1	1							1
26	2	114650-13201	GASKET (NON-ASB.)	1	1							1
27	2	103338-32570	O-RING	1	1							1
28	2	24341-000224	O-RING, 1AS22.4	1	1							1

Parts No. Index

Parts No.	Fig. No.	Ref. No.	Parts No.	Fig. No.	Ref. No.	Parts No.	Fig. No.	Ref. No.	Parts No.	Fig. No.	Ref. No.
103338-32570	5	7	114270-61520	5	25	114650-12590	3	7	114970-01340	1	13
	9	27	114350-01700	1	6	114650-13201	3	17		9	15
104200-23201	4	43	114350-11470	2	16		9	26	114970-13550	3	18
104200-66820	5	34	114350-45320	6	2	114650-14200	4	6	114970-13560	3	20
104200-66830	5	35	114350-45340	6	3	114650-14401	4	8	114970-13700	3	21
104200-66850	5	36	114351-78251	8	20	114650-21551	4	23	114970-13710	3	22
104211-11370	2	14	114351-78751	8	21	114650-22300	4	37	114970-51100	7	4
		27	114351-78761	8	22	114650-32010	5	1	114970-66010	5	41
105025-01220	1	8	114362-77011	8	1	114650-45201	6	1	119620-11180	2	9
105425-01690	1	34	114370-45350	6	10	114650-45330	6	9	122710-01220	4	22
105546-51020	7	2	114371-77160	8	7	114650-51300	7	10	124060-23100	4	42
105546-51330	7	13	114371-77170	8	13	114650-53000	7	22	124550-51350	7	15
114250-01800	1	15	114371-79040	8	8	114650-53300	7	30	129792-22400	4	38
114250-01830	1	20	114371-79050	8	9	114650-59800	7	41	135210-61090	5	49
114250-01841	1	21	114371-79060	8	10	114650-59850	7	47	160260-01580	3	19
	9	19	114371-79070	8	17	114650-66600	5	43	160710-78710	8	23
114250-02030	1	39	114381-77110	8	2	114650-76520	6	13	160910-01740	1	35
114250-03591	2	36	114381-77130	8	5	114650-76540	6	16	160910-76530	6	15
114250-03640	2	39	114381-77140	8	6	114650-76630	6	23	160910-76550	6	17
114250-11240	2	20	114381-77150	8	12	114650-76631	6	23 -1	160910-76560	6	18
		25	114650-01230	1	9	114650-92310	9	12	160910-76570	6	19
114250-11460	2	15	114650-01240	1	10	114650-92350	9	13	160910-76580	6	20
	9	22	114650-01250	1	11	114654-11110	2	7	160910-76620	6	22
114250-11900	2	28	114650-01260	1	12	114660-01471	1	27	160910-76650	6	24
114250-14260	4	7	114650-01380	1	14	114660-21401	4	24	160970-77350	8	27
114250-32070	5	6		9	16	114660-76050	6	11	183250-07230	9	3
114250-35070	5	10	114650-01412	1	26	114660-76051	6	11 -1	183250-66050	5	30
114250-35150	1	32		9	17	114660-76052	6	11 -2	183250-66070	5	31
114250-45300	6	7	114650-02100	1	30	114660-76250	6	12	183250-66100	5	32
114250-45310	6	8	114650-02150	1	40	114660-76251	6	12 -1	183250-66500	5	29
114250-51080	7	3	114650-02200	1	46	114660-76530	6	14	183350-77400	8	29
114250-51160	7	9	114650-02210	1	47	114660-76531	6	14 -1	183720-55210	6	4
114250-51340	7	14	114650-11010	2	1	114660-76590	6	27	22190-160002	1	38
114250-51600	7	16	114650-11100	2	6	114660-76591	6	27 -1		9	20
114250-51640	7	17	114650-11121	2	8	114660-76592	6	27 -2	22217-060000	6	25
114250-51650	7	18	114650-11261	2	12	114661-92300	9	11	22312-030160	2	41
114250-53080	7	25	114650-11311	2	33	114662-21592	4	25		5	8
114250-53120	7	26		9	23	114662-21601	4	27	22322-030200	5	18
114250-53130	7	27	114650-11340	2	13	114668-45102	6	6		19	19
114250-53140	7	28		9	21	114770-61190	5	28	22351-020006	7	19
114250-53210	7	29	114650-11600	2	17	114770-61600	5	26	22351-030008	7	20
114250-53331	7	33	114650-11652	2	18	114770-61610	5	27	22351-040008	2	29
114250-53400	7	34	114650-11951	2	34	114870-76530	6	15 -1	22451-060000	5	50
114250-66200	5	42	114650-12020	3	12	114870-76540	6	16 -1	22512-050140	4	28
114250-66440	5	33	114650-12211	3	1	114870-76560	6	18 -1	23871-010000	1	45
114250-92101	9	4		9	25	114870-76570	6	19 -1	24101-062034	4	51
114250-92130	9	5	114650-12301	3	13	114870-76580	6	26 B	24101-063034	4	52
114252-12550	3	10		9	24	114870-76620	6	22 -1	24162-152112	1	41
114252-12560	3	6	114650-12520	3	4	114880-76520	6	13 -1	24311-000180	1	37
114270-01600	1	22	114650-12530	3	5	114880-76550	6	26 A		9	18

Parts No. Index

Parts No.	Fig. No.	Ref. No.
24341-000224	5	11
	9	28
24423-355008	1	42
		43
26106-060082	6	28
26106-060122	6	29
		29 -1
	8	28
26106-060162	5	12
26106-060252	3	14
26106-060452	5	39
26106-060702	2	44
26106-080122	1	44
26106-080182	3	23
26106-080352	1	33
26106-100122	1	7
26106-100302	8	19
26106-100552	2	30
26116-060454	9	7
26116-080454	9	8
26226-060142	3	15
26226-060182	1	23
26226-060222	1	24
26226-060502	2	31
26226-060752	3	16
26226-080202	3	24
26366-060002	1	25
	2	32
	3	11
26366-080002	3	25
26476-060142	5	9
		40
	8	24
26476-060202	6	5
	8	25
26577-060142	8	26
26696-100002	5	37
		48
26716-060002	9	9
26716-080002	9	10
26717-060002	6	26
26756-060002	2	21
		26
26757-060002	5	38
27310-070001	2	10
714650-12560	3	2
714650-23600	4	44
714650-23610	4	65
714650-23620	4	67
714650-23700	4	39

Parts No.	Fig. No.	Ref. No.
714650-53100	7	21
714650-61500	5	13
714670-11660	2	22
714685-61700	5	20
714689-14580	4	1
714689-21730	4	12
714970-01560	1	1
714970-22500	4	31
714970-22540	4	55
714970-22550	4	61
714970-28511	4	46
714970-51700	7	1
714980-22580	4	59
714980-22620	4	53
714980-22720	4	29
714988-21730	4	13
714988-92600	9	14
X2114274200	8	18
X2114275010	8	15
X2114455080	8	11
X2114560130	8	14
X2114680050	8	16
X2114715500	8	4
X2114811000	8	3

Parts No.	Fig. No.	Ref. No.
-----------	----------	----------

Parts No.	Fig. No.	Ref. No.
-----------	----------	----------