

OCR10-M66400EN

Introduction

1. This parts catalog is a first edition of the L100AE-DIMYC Diesel engine.

	Parts catalog No.	Date of issue	Remarks
First edition	000Y00R6640	July, 2006	

2. This parts catalog does not contain the technical data needed for maintenance service.

3. The illustrations used in this parts catalog have been simplified for clarity.

4. The contents of this parts catalog are subject to change without notice.

5. Be sure to use only Yanmar genuine parts for repairs. If imitation parts are used, it may cause engine defects.

Contents

OCR10-M66400

Fig. No. Fig. Name

Fig. No. Fig. Name

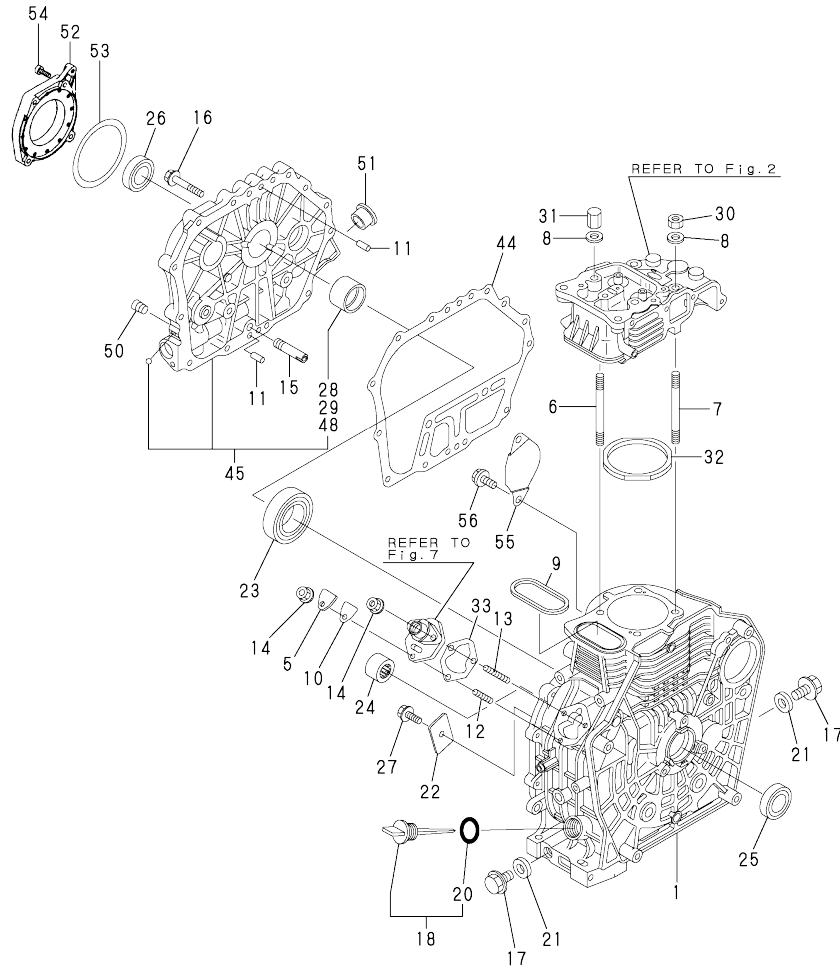
L100AE-DIMYC

1. CYLINDER BLOCK
2. CYLINDER HEAD & BONNET
3. AIR CLEANER & MUFFLER
4. CRANKSHAFT,PISTON & CAMSHAFT
5. LUB.OIL PUMP & GOVERNOR
6. COOLING & STARTING DEVICE
7. FUEL INJECTION PUMP & FUEL INJECTION VALVE
8. FUEL TANK & FUEL PIPE
9. TOOL,LABEL & GASKET SET

Fig.1. CYLINDER BLOCK

(A)=L100AE-DIMYC
(B)=
(C)=

(D)=
(E)=
(F)=



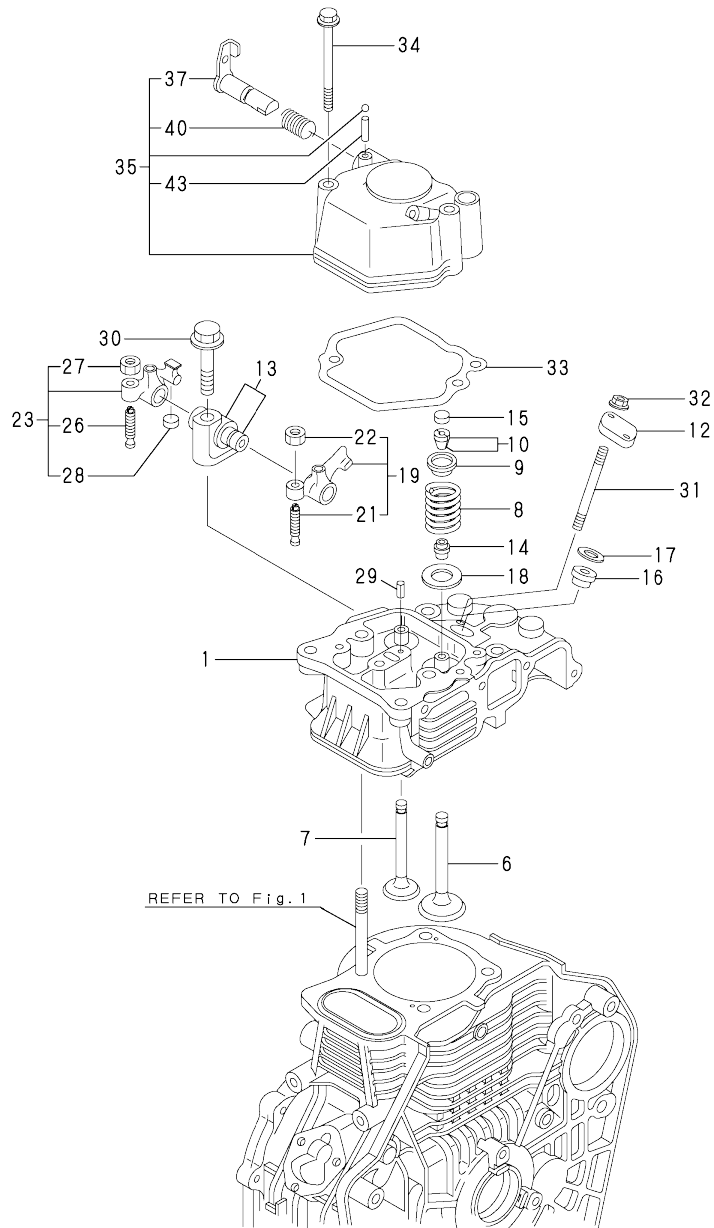
No.	Lev.	Parts No.	Description	Q'ty						I	R
				(A)	(B)	(C)	(D)	(E)	(F)		
1	1	114699-01050	BLOCK ASSY, CYLINDER	1							
5	1	114299-01830	COVER	1							
6	1	114699-01200	BOLT, HEAD	2							
7	1	114699-01210	BOLT, HEAD	2							
8	1	114699-01250	WASHER	4							
9	1	114699-01380	O-RING	1							
10	1	114250-01841	GASKET	1							
11	1	114299-01600	PIN, 8X12	2							
12	1	26226-060182	STUD, M6X 18	1							
13	1	26226-060222	STUD, M6X 22	2							
14	1	26366-060002	NUT, M6	3							
15	1	114299-35150	PIPE, OIL INLET	1							
16	1	26106-080352	BOLT, M8X 35 PLATED	16							
17	1	114299-01690	PLUG M16	2							
18	1	114699-01760	CAP ASSY	1							
20	2	114299-01950	O-RING, 18	1							
21	1	22190-160002	WASHER, SEAL 16	2							
22	1	114299-02030	RETAINER, BEARING	1							
23	1	114650-02150	BEARING, HR6308G3C3	1							
24	1	24162-152112	BEARING, 152112	1							
25	1	24423-355008	SEAL, OIL TC355008	1							
26	1	24423-355008	SEAL, OIL TC355008	1							
27	1	26106-080122	BOLT, M8X 12 PLATED	1							
28	1	114650-02200	BEARING, 0.25 US	1							2
29	1	114650-02210	BEARING, 0.50 US	1							3
30	1	114699-01220	NUT, CYLINDER HEAD A	2							
31	1	114699-01230	NUT, CYLINDER HEAD B	2							
32	1	114699-01330	GASKET, HEAD	1							
33	1	114299-01800	SHIM SET	1							
44	1	114699-01410	GASKET, CRANK CASE	1							
45	1	114699-01450	COVER, CRANK CASE	1							
48	2	114650-02100	BEARING, MAIN	1							1
50	1	23876-010000	PLUG, R01	1							
51	1	160110-01870	PLUG, RUBBER	1							
52	1	114399-21960	FLANGE	1							
53	1	114399-21980	GASKET	1							
54	1	26453-080252	BOLT, M8X 25	4							
55	1	114399-01700	COVER, STARTER	1							
56	1	26106-100122	BOLT, M10X 12 PLATED	2							

Remarks
(1)REPAIR PART.
(2)UNDER SIZED(U.S.=0.25)PART.
(3)UNDER SIZED(U.S.=0.50)PART.

Fig.2. CYLINDER HEAD & BONNET

(A)=L100AE-DIMYC
(B)=
(C)=

(D)=
(E)=
(F)=

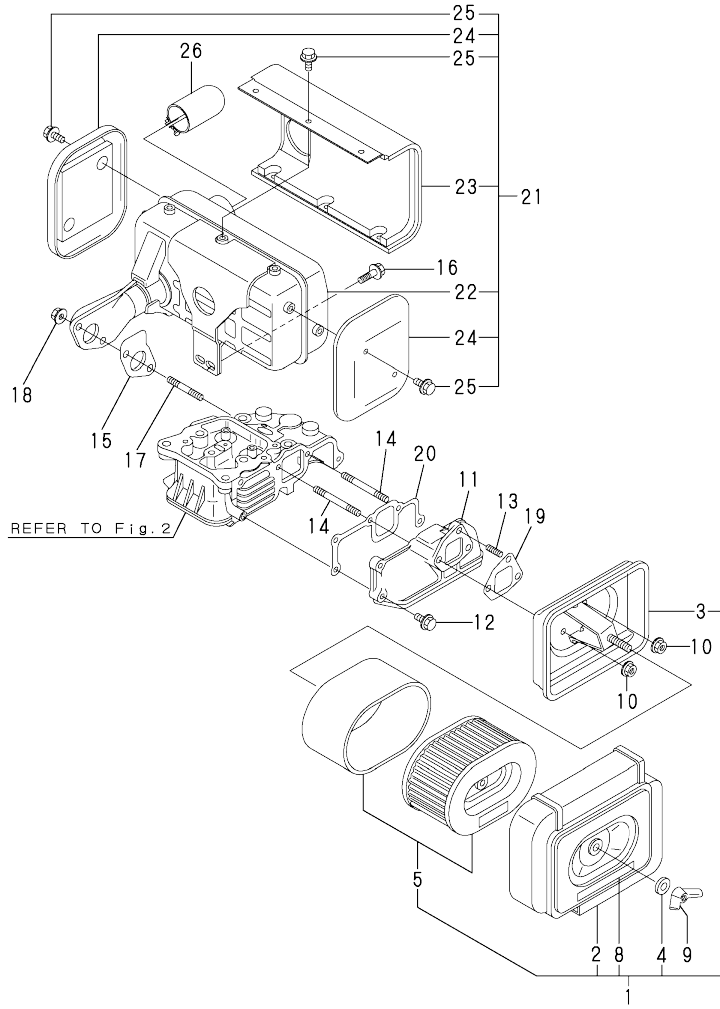


No.	Lev.	Parts No.	Description	Q'ty						I	R
				(A)	(B)	(C)	(D)	(E)	(F)		
1	1	114650-11011	HEAD ASSY, CYLINDER	1							
6	1	114699-11100	VALVE, INTAKE	1							
7	1	114699-11110	VALVE, EXHAUST	1							
8	1	114699-11120	SPRING, VALVE	2							
9	1	119620-11180	RETAINER, SPRING	2							
10	1	27310-070001	COTTER, 7	2							
12	1	114299-11901	RETAINER, NOZZLE	1							
13	1	114650-11261	SUPPORT, ROCKER ARM	1							
14	1	114650-11340	SEAL, VALVE STEM	2							
15	1	104211-11370	CAP, VALVE	1							
16	1	114250-11460	GASKET, NOZZLE	1							
17	1	114350-11470	SPACER, NOZZLE	1							
18	1	114699-11600	WASHER	2							
19	1	114650-11652	ARM, ROCKER	1							
21	2	114250-11240	SCREW, VALVE ADJUST	1							
22	2	26856-060002	NUT, M6	1							
23	1	714670-11660	ARM ASSY, ROCKER	1							
26	3	114250-11240	SCREW, VALVE ADJUST	1							
27	3	26856-060002	NUT, M6	1							
28	2	104211-11370	CAP, VALVE	1							
29	1	22351-040008	PIN, SPRING 4.0X 8	1							
30	1	26106-100552	BOLT, M10X 55 PLATED	1							
31	1	26226-060502	STUD, M6X 50	2							
32	1	26366-060002	NUT, M6	2							
33	1	114699-11320	GASKET, BONNET	1							
34	1	26106-060702	BOLT, M6X 70 PLATED	2							
35	1	114699-11950	BONNET ASSY, HEAD	1							
37	2	114250-03591	LEVER ASSY	1							
40	2	114299-03640	SPRING, DECOMPRESSION	1							
43	2	22312-030160	PIN, PARALLEL M3X16	1							

Fig.3. AIR CLEANER & MUFFLER

(A)=L100AE-DIMYC
(B)=
(C)=

(D)=
(E)=
(F)=



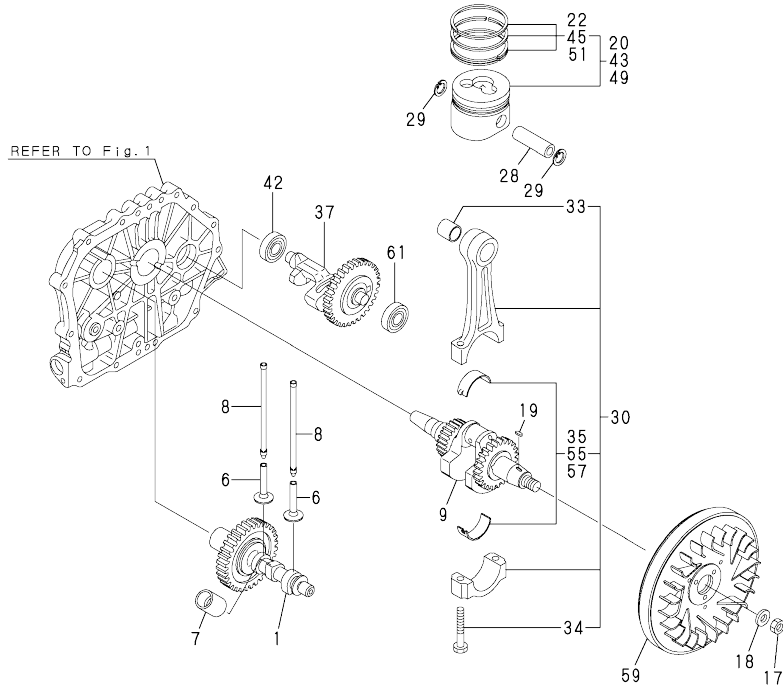
No.	Lev.	Parts No.	Description	Q'ty						I	R
				(A)	(B)	(C)	(D)	(E)	(F)		
1	1	114980-12510	CLEANER ASSY, AIR	1							
2	2	114650-12520	COVER, AIR CREAMER	1							
3	2	114980-12530	CASE ASSY, CLEANER	1							
4	2	114252-12560	WASHER, SEAL M8	1							
5	2	114650-12590	ELEMENT ASSY	1							
8	2	114650-07450	LABEL, AIR CLEANER	1							
9	1	114252-12550	NUT, WING M8	1							
10	1	114299-12300	NUT	3							
11	1	114699-12020	PIPE, AIR INTAKE	1							
12	1	26106-060252	BOLT, M6X 25 PLATED	3							
13	1	26226-060142	STUD, M6X 14	1							
14	1	114310-45360	STUD BOLT, TOP COVER	2							
15	1	114699-13200	GASKET, MUFFLER	1							
16	1	26106-080182	BOLT, M8X 18 PLATED	2							
17	1	26216-080182	STUD, M8X 18	2							
18	1	26366-080002	NUT, M8	2							
19	1	114699-12210	GASKET, AIR CLEANER	1							
20	1	114699-12200	GASKET	1							
21	1	114699-13552	MUFFLER ASSY	1							
22	2	114699-13562	MUFFLER	1							
23	2	114699-13700	COVER A, MUFFLER	1							
24	2	114699-13710	COVER	2							
25	2	114699-13720	BOLT, M6	10							
26	1	114699-13800	PIPE	1							
26-1	1	114320-13800	DEFLECTOR ASSY, EXH	1							N

(A=ECD1782)

Fig.4. CRANKSHAFT,PISTON & CAMSHAFT

(A)=L100AE-DIMYC
(B)=
(C)=

(D)=
(E)=
(F)=



No.	Lev.	Parts No.	Description	Q'ty						I	R
				(A)	(B)	(C)	(D)	(E)	(F)		
1	1	714699-14580	CAMSHAFT ASSY	1							
6	1	114699-14200	TAPPET	2							
7	1	114771-14260	TAPPET	1							
8	1	114650-14402	ROD ASSY, PUSH	2							
9	1	714688-21730	CRANKSHAFT ASSY	1							
17	1	114699-21220	NUT	1							
18	1	114699-21550	WASHER	1							
19	1	22512-050140	KEY, 5X 14	1							
20	1	714980-22721	PISTON ASSY, D	1							
22	2	714970-22500	RING SET, PISTON	1							
28	1	114699-22300	PIN, PISTON D=23	1							
29	1	129792-22400	CIRCLIP, 23	2							
30	1	714699-23700	ROD ASSY, CONNECTING	1							
33	2	124060-23100	BEARING, PISTON PIN	1							
34	2	105300-23200	BOLT, CONNECTING ROD	2							
35	2	714650-23600	BEARING, CRANK PIN	1							
37	1	714970-28511	SHAFT ASSY, BALANCER	1							
42	1	24101-062030	BEARING, BALL 6203C3	1							
43	1	714980-22621	PISTON ASSY, 0.25 OS	1							1
45	2	714970-22540	RING SET, 0.25 OS	1							1
49	1	714980-22581	PISTON ASSY, 0.50 OS	1							2
51	2	714970-22550	RING SET, 0.50 OS	1							2
55	1	714650-23610	BEARING ASSY, 0.25	1							3
57	1	714650-23620	BEARING, 0.50 US	1							4
59	1	114699-21420	FLYWHEEL	1							
61	1	24101-063030	BEARING, BALL 6303C3	1							

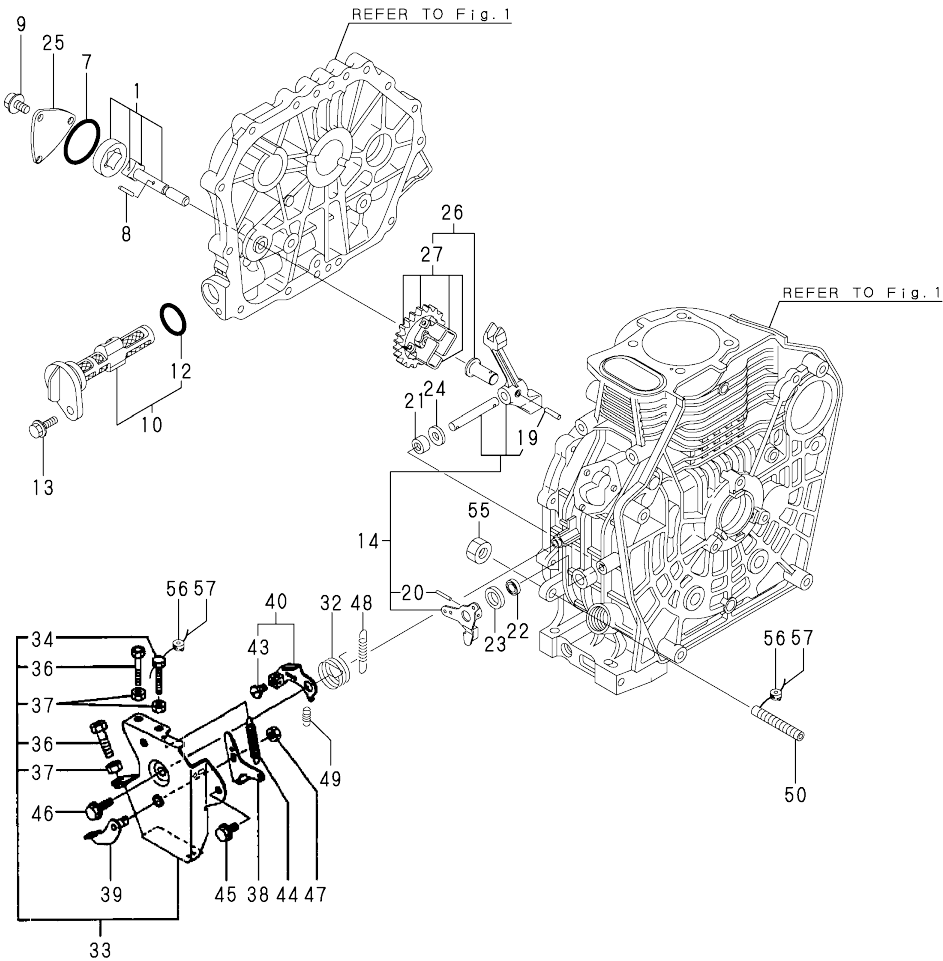
Remarks

- (1)OVER SIZED(O.S.=0.25)PART.
- (2)OVER SIZED(O.S.=0.50)PART.
- (3)UNDER SIZED(U.S.=0.25)PART.
- (4)UNDER SIZED(U.S.=0.50)PART.

Fig.5. LUB.OIL PUMP & GOVERNOR

(A)=L100AE-DIMYC
(B)=
(C)=

(D)=
(E)=
(F)=

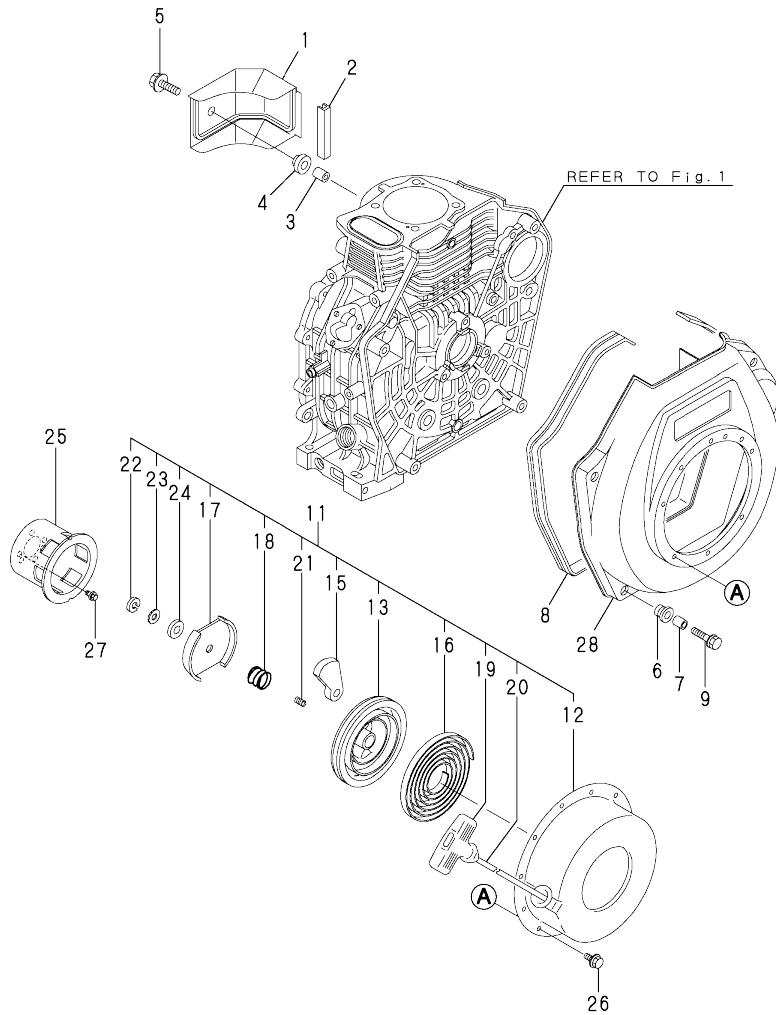


No.	Lev.	Parts No.	Description	Q'ty						I	R
				(A)	(B)	(C)	(D)	(E)	(F)		
1	1	114650-32010	PUMP ASSY, OIL	1							
7	1	114299-32570	O-RING	1							
8	1	22312-030160	PIN, PARALLEL M3X16	1							
9	1	26106-060122	BOLT, M6X 12 PLATED	3							
10	1	114299-35110	FILTER ASSY, OIL	1							
12	2	24341-000224	O-RING, 1AS22.4	1							
13	1	26106-060162	BOLT, M6X 16 PLATED	1							
14	1	714699-61500	LEVER ASSY, GOVERNOR	1							
19	3	22322-030200	PIN, TAPER 3X20	1							
20	2	22322-030200	PIN, TAPER 3X20	1							
21	1	114295-61520	NEEDLE BEARING	2							
22	1	114299-61600	SEAL, OIL	1							
23	1	114770-61610	WASHER, THRUST	1							
24	1	114299-61190	WASHER	1							
25	1	114299-32070	COVER	1							
26	1	714699-61700	GOVERNOR ASSY	1							
27	2	114699-61210	WEIGHT ASSY, GOVERNOR	1							
32	1	114299-66250	SPRING, RETURN	1							
33	1	714299-66900	SPEED CONTROL TP 01	1							
34	2	114299-66440	BOLT, ADJUSTING	1							
36	2	114299-67080	BOLT, ADJUSTING	2							
37	2	26757-060002	NUT, LOCK M6	3							
38	1	114299-66920	LEVER, STOP	1							
39	1	114299-66931	LEVER, STOP	1							
40	1	114299-66940	LEVER ASSY, REGULATOR	1							
43	2	26117-050089	BOLT, M5X 8 PLATED	1							
44	1	114299-66960	SPRING	1							
45	1	26106-060142	BOLT, M6X 14 PLATED	1							
46	1	26106-060302	BOLT, M6X 30 PLATED	1							
47	1	26757-080002	NUT, LOCK M8	1							
48	1	114699-66010	SPRING, REGULATOR	1							
49	1	114299-66200	SPRING, RETURN	1							
50	1	114650-66500	LIMITER ASSY, FUEL	1							
55	1	26776-100002	NUT, LOCK M10	1							
56	1	114780-61090	TIN	2							
57	1	22451-060000	WIRE, 0.6	2							

Fig.6. COOLING & STARTING DEVICE

(A)=L100AE-DIMYC
(B)=
(C)=

(D)=
(E)=
(F)=

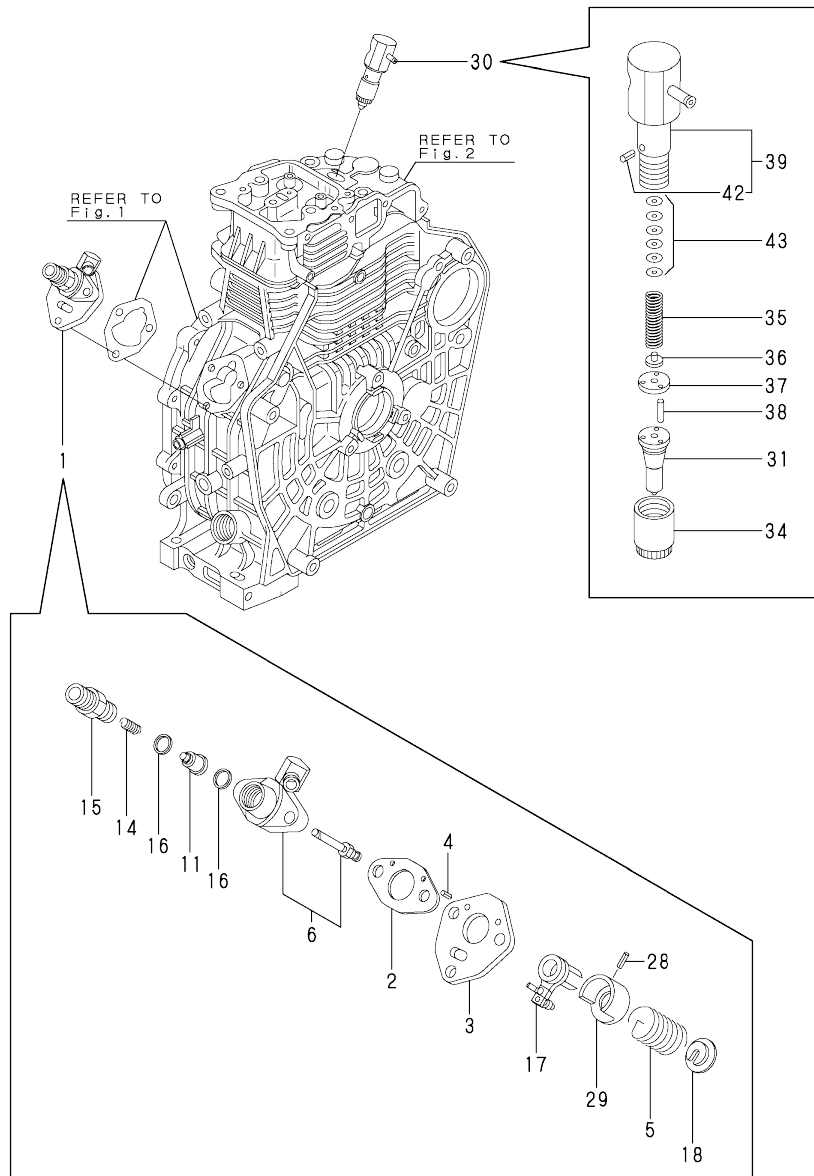


No.	Lev.	Parts No.	Description	Q'ty						I	R
				(A)	(B)	(C)	(D)	(E)	(F)		
1	1	114699-45210	COVER	1							
2	1	114399-45320	RUBBER, SEAL	1							
3	1	114399-45340	COLLAR	1							
4	1	114299-45220	GROMMET	1							
5	1	26106-060202	BOLT, M6X 20 PLATED	1							
6	1	114299-45301	RUBBER, CUSHION	4							
7	1	114299-45310	COLLAR	4							
8	1	114699-45330	SEAL, FAN CASE	1							
9	1	114299-45350	BOLT, FAN CASE	4							
11	1	114699-76251	RECOIL ASSY	1							
12	2	114699-76510	CASE, STARTER	1							
13	2	114699-76521	REEL, RECOIL	1							
15	2	114699-76531	RATCHET	2							
16	2	114399-76540	SPRING, SPIRAL	1							
17	2	114699-76551	GUIDE, RATCHET	1							
18	2	114699-76560	SPRING, FRICTION	1							
19	2	114399-76620	KNOB, STARTER	1							
20	2	114699-76630	ROPE, STARTER	1							
21	2	114699-76650	SPRING, RETURN	1							
22	2	114699-76660	CIRCLIP	1							
23	2	114699-76670	WASHER	1							
24	2	114699-76680	WASHER	1							
25	1	114699-76592	PULLEY, STARTER	1							
26	1	26106-060082	BOLT, M6X 8 PLATED	4							
27	1	26106-060122	BOLT, M6X 12 PLATED	3							
28	1	114699-45100	CASE, COOLING FAN	1							

Fig.7. FUEL INJECTION PUMP & FUEL INJECTION VALVE

(A)=L100AE-DIMYC
(B)=
(C)=

(D)=
(E)=
(F)=

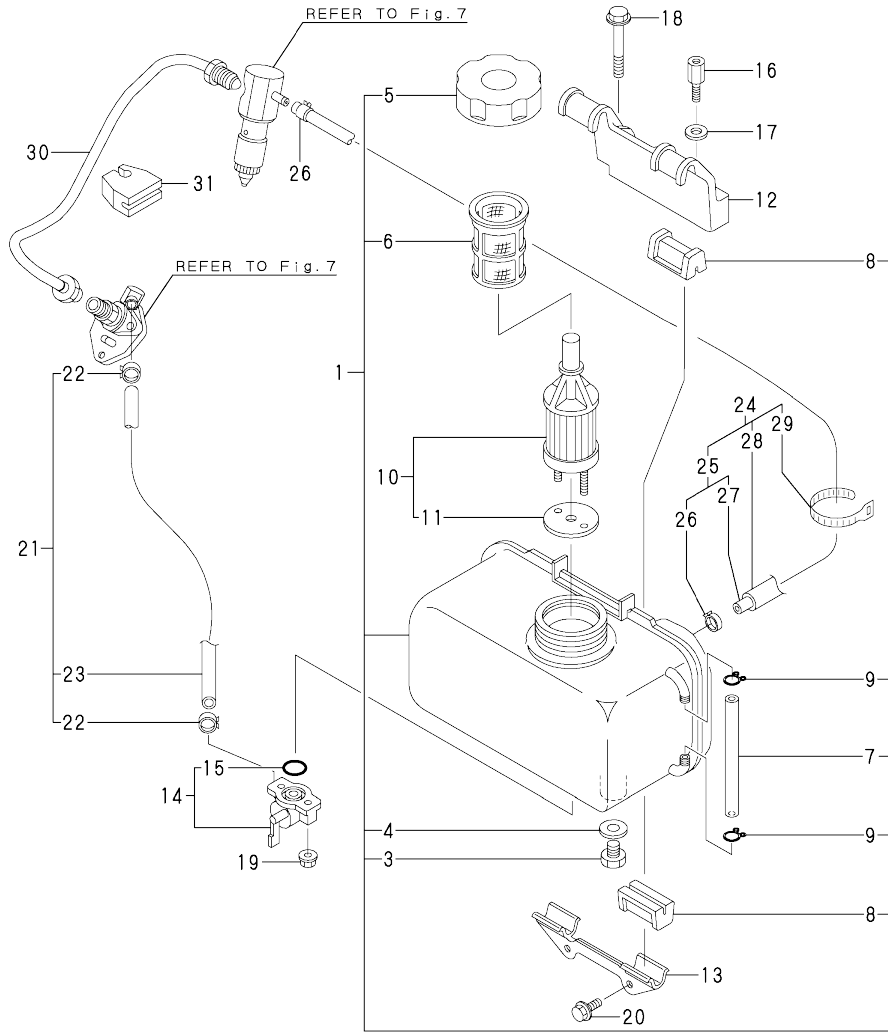


No.	Lev.	Parts No.	Description	Q'ty						I	R
				(A)	(B)	(C)	(D)	(E)	(F)		
1	1	714699-51600	PUMP ASSY, F.INJECT.	1							
2	2	114299-51020	GASKET, PUMP BODY	1							
3	2	114299-51080	PLATE	1							
4	2	114299-51090	PIN, 2.0A X 6	2							
5	2	114299-51160	SPRING, PLUNGER	1							
6	2	114699-51220	BODY ASSY, PUMP	1							
11	2	114699-51300	VALVE ASSY, DELIVERY	1							
14	2	114299-51330	SPRING, VALVE	1							
15	2	114299-51340	HOLDER, DELIVERY	1							
16	2	114299-51350	PACKING, DELIVERY	2							
17	2	114299-51600	LEVER, CONTROL	1							
18	2	114299-51610	SEAT ASSY (B, SPRING	1							
28	2	114299-51630	PIN, 2.5A X 8	1							
29	2	114299-51640	SEAT, SPRING	1							
30	1	714650-53100	VALVE ASSY,INJECTION	1							
31	2	114650-53000	VALVE ASSY,INJECTION	1							
34	2	114250-53080	NUT, NOZZLE D16.95	1							
35	2	114250-53120	SPRING, NOZZLE	1							
36	2	114250-53130	SEAT, SPRING	1							
37	2	114250-53140	PLATE	1							
38	2	114250-53210	PIN	2							
39	2	114650-53300	HOLDER ASSY, NOZZLE	1							
42	3	114250-53331	PIN	1							
43	2	114250-53400	SHIM SET	1							

Fig.8. FUEL TANK & FUEL PIPE

(A)=L100AE-DIMYC
(B)=
(C)=

(D)=
(E)=
(F)=

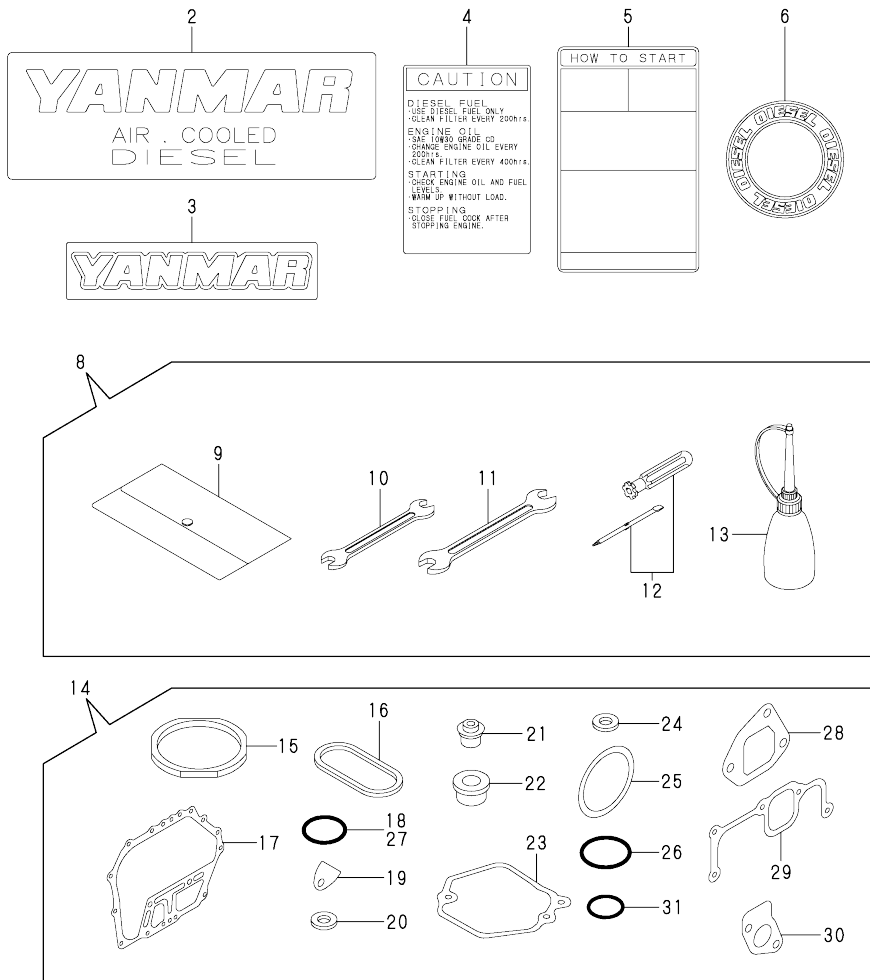


No.	Lev.	Parts No.	Description	Q'ty						I	R
				(A)	(B)	(C)	(D)	(E)	(F)		
1	1	714699-55700	TANK, FUEL (RED)(50)	1							
3	3	105300-55080	PLUG, 8	1							
4	3	23414-080000	GASKET, 8X1.0	1							
5	2	114299-55040	CAP ASSY, FUEL TANK	1							
6	2	114299-55100	FILTER, FUEL OIL	1							
7	2	114650-55150	GAUGE, LEVEL	1							
8	2	114299-55201	DAMPER, FUEL TANK	4							
9	2	114299-55450	CLIP, HOSE 7	2							
10	1	114250-55121	FILTER ASSY, FUEL	1							
11	2	114250-55130	GASKET	1							
12	1	114699-55230	STAY, FUEL TANK	1							
13	1	114299-55210	STAY, FUEL TANK	1							
14	1	114250-55301	COCK ASSY, FUEL	1							
15	2	24341-000150	O-RING, 1AS15.0	1							
16	1	114299-55810	BOLT, LIFTING	1							
17	1	22117-080000	WASHER, 8	1							
18	1	26106-080452	BOLT, M8X 45 PLATED	1							
19	1	26366-060002	NUT, M6	2							
20	1	26106-060162	BOLT, M6X 16 PLATED	2							
21	1	114770-59030	PIPE ASSY, FUEL	1							
22	2	114270-59010	CLIP, HOSE 12	2							
23	2	114268-59061	PIPE, FUEL L=50	1							
24	1	114652-59300	PIPE, FUEL RETURN	1							
25	2	114652-59100	PIPE ASSY, FUEL	1							
26	3	124722-59050	CLIP, HOSE 9	2							
27	3	114650-59060	PIPE, FUEL RETURN	1							
28	2	114652-59310	TUBE, PROTECT	1							
29	2	121750-59890	BAND, 140	1							
30	1	114650-59801	PIPE ASSY, INJECTION	1							
31	1	114699-59850	SUPPORT, PIPE	1							

Fig.9. TOOL,LABEL & GASKET SET

(A)=L100AE-DIMYC
(B)=
(C)=

(D)=
(E)=
(F)=



No.	Lev.	Parts No.	Description	Q'ty						I	R
				(A)	(B)	(C)	(D)	(E)	(F)		
2	1	114299-07100	LABEL, AIR COOLED	1							
3	1	114299-07110	LABEL, YANMAR	1							
4	1	114210-07120	LABEL, CAUTION	1							
5	1	114210-07130	LABEL HOW TO START-E	1							
6	1	114299-07160	LABEL, DIESEL	1							
8	1	114299-92590	BOX, TOOL	1							
9	2	114299-92600	BAG, TOOL	1							
10	2	114299-92710	WRENCH	1							
11	2	114299-92720	WRENCH	1							
12	2	114299-92730	DRIVER	1							
13	2	114299-92740	DIPSTICK	1							
14	1	714988-92610	GASKET SET	1							1
15	2	114699-01330	GASKET, HEAD	1							
16	2	114699-01380	O-RING	1							
17	2	114699-01410	GASKET, CRANK CASE	1							
18	2	114299-01950	O-RING, 18	1							
19	2	114250-01841	GASKET	1							
20	2	22190-160002	WASHER, SEAL 16	2							
21	2	114650-11340	SEAL, VALVE STEM	2							
22	2	114250-11460	GASKET, NOZZLE	1							
23	2	114699-11320	GASKET, BONNET	1							
24	2	23414-080000	GASKET, 8X1.0	1							
25	2	114399-21980	GASKET	1							
26	2	114299-32570	O-RING	1							
27	2	24341-000224	O-RING, 1AS22.4	1							
28	2	114699-12210	GASKET, AIR CLEANER	1							
29	2	114699-12200	GASKET	1							
30	2	114699-13200	GASKET, MUFFLER	1							
31	2	24341-000150	O-RING, 1AS15.0	1							

Remarks
(1)OPTIONAL

Parts No. Index

Parts No.	Fig. No.	Ref. No.
104211-11370	2	15
		28
105300-23200	4	34
105300-55080	8	3
114210-07120	9	4
114210-07130	9	5
114250-01841	1	10
	9	19
114250-03591	2	37
114250-11240	2	21
		26
114250-11460	2	16
	9	22
114250-53080	7	34
114250-53120	7	35
114250-53130	7	36
114250-53140	7	37
114250-53210	7	38
114250-53331	7	42
114250-53400	7	43
114250-55121	8	10
114250-55130	8	11
114250-55301	8	14
114252-12550	3	9
114252-12560	3	4
114268-59061	8	23
114270-59010	8	22
114295-61520	5	21
114299-01600	1	11
114299-01690	1	17
114299-01800	1	33
114299-01830	1	5
114299-01950	1	20
	9	18
114299-02030	1	22
114299-03640	2	40
114299-07100	9	2
114299-07110	9	3
114299-07160	9	6
114299-11901	2	12
114299-12300	3	10
114299-32070	5	25
114299-32570	5	7
	9	26
114299-35110	5	10
114299-35150	1	15
114299-45220	6	4
114299-45301	6	6
114299-45310	6	7
114299-45350	6	9

Parts No.	Fig. No.	Ref. No.
114299-51020	7	2
114299-51080	7	3
114299-51090	7	4
114299-51160	7	5
114299-51330	7	14
114299-51340	7	15
114299-51350	7	16
114299-51600	7	17
114299-51610	7	18
114299-51630	7	28
114299-51640	7	29
114299-55040	8	5
114299-55100	8	6
114299-55201	8	8
114299-55210	8	13
114299-55450	8	9
114299-55810	8	16
114299-61190	5	24
114299-61600	5	22
114299-66200	5	49
114299-66250	5	32
114299-66440	5	34
114299-66920	5	38
114299-66931	5	39
114299-66940	5	40
114299-66960	5	44
114299-67080	5	36
114299-92590	9	8
114299-92600	9	9
114299-92710	9	10
114299-92720	9	11
114299-92730	9	12
114299-92740	9	13
114310-45360	3	14
114320-13800	3	26 -1
114350-11470	2	17
114399-01700	1	55
114399-21960	1	52
114399-21980	1	53
	9	25
114399-45320	6	2
114399-45340	6	3
114399-76540	6	16
114399-76620	6	19
114650-02100	1	48
114650-02150	1	23
114650-02200	1	28
114650-02210	1	29
114650-07450	3	8
114650-11011	2	1

Parts No.	Fig. No.	Ref. No.
114650-11261	2	13
114650-11340	2	14
	9	21
114650-11652	2	19
114650-12520	3	2
114650-12590	3	5
114650-14402	4	8
114650-32010	5	1
114650-53000	7	31
114650-53300	7	39
114650-55150	8	7
114650-59060	8	27
114650-59801	8	30
114650-66500	5	50
114652-59100	8	25
114652-59300	8	24
114652-59310	8	28
114699-01050	1	1
114699-01200	1	6
114699-01210	1	7
114699-01220	1	30
114699-01230	1	31
114699-01250	1	8
114699-01330	1	32
	9	15
114699-01380	1	9
	9	16
114699-01410	1	44
	9	17
114699-01450	1	45
114699-01760	1	18
114699-11100	2	6
114699-11110	2	7
114699-11120	2	8
114699-11320	2	33
	9	23
114699-11600	2	18
114699-11950	2	35
114699-12020	3	11
114699-12200	3	20
	9	29
114699-12210	3	19
	9	28
114699-13200	3	15
	9	30
114699-13552	3	21
114699-13562	3	22
114699-13700	3	23
114699-13710	3	24
114699-13720	3	25

Parts No.	Fig. No.	Ref. No.
114699-13800	3	26
114699-14200	4	6
114699-21220	4	17
114699-21420	4	59
114699-21550	4	18
114699-22300	4	28
114699-45100	6	28
114699-45210	6	1
114699-45330	6	8
114699-51220	7	6
114699-51300	7	11
114699-55230	8	12
114699-59850	8	31
114699-61210	5	27
114699-66010	5	48
114699-76251	6	11
114699-76510	6	12
114699-76521	6	13
114699-76531	6	15
114699-76551	6	17
114699-76560	6	18
114699-76592	6	25
114699-76630	6	20
114699-76650	6	21
114699-76660	6	22
114699-76670	6	23
114699-76680	6	24
114770-59030	8	21
114770-61610	5	23
114771-14260	4	7
114780-61090	5	56
114980-12510	3	1
114980-12530	3	3
119620-11180	2	9
121750-59890	8	29
124060-23100	4	33
124722-59050	8	26
129792-22400	4	29
160110-01870	1	51
22117-080000	8	17
22190-160002	1	21
	9	20
22312-030160	2	43
	5	8
22322-030200	5	19
		20
22351-040008	2	29
22451-060000	5	57
22512-050140	4	19
23414-080000	8	4

Parts No. Index

Parts No.	Fig. No.	Ref. No.
23414-080000	9	24
23876-010000	1	50
24101-062030	4	42
24101-063030	4	61
24162-152112	1	24
24341-000150	8	15
	9	31
24341-000224	5	12
	9	27
24423-355008	1	25
		26
26106-060082	6	26
26106-060122	5	9
	6	27
26106-060142	5	45
26106-060162	5	13
	8	20
26106-060202	6	5
26106-060252	3	12
26106-060302	5	46
26106-060702	2	34
26106-080122	1	27
26106-080182	3	16
26106-080352	1	16
26106-080452	8	18
26106-100122	1	56
26106-100552	2	30
26117-050089	5	43
26216-080182	3	17
26226-060142	3	13
26226-060182	1	12
26226-060222	1	13
26226-060502	2	31
26366-060002	1	14
	2	32
	8	19
26366-080002	3	18
26453-080252	1	54
26757-060002	5	37
26757-080002	5	47
26776-100002	5	55
26856-060002	2	22
		27
27310-070001	2	10
714299-66900	5	33
714650-23600	4	35
714650-23610	4	55
714650-23620	4	57
714650-53100	7	30
714670-11660	2	23

Parts No.	Fig. No.	Ref. No.
714688-21730	4	9
714699-14580	4	1
714699-23700	4	30
714699-51600	7	1
714699-55700	8	1
714699-61500	5	14
714699-61700	5	26
714970-22500	4	22
714970-22540	4	45
714970-22550	4	51
714970-28511	4	37
714980-22581	4	49
714980-22621	4	43
714980-22721	4	20
714988-92610	9	14

Parts No.	Fig. No.	Ref. No.
-----------	----------	----------

Parts No.	Fig. No.	Ref. No.
-----------	----------	----------