

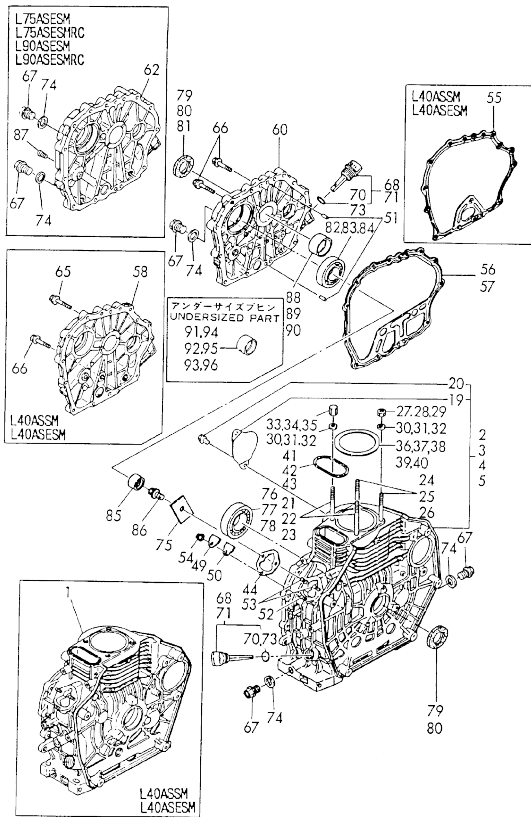
OCD10-M41000EN

Contents

Fig. No.	Fig. Name	Fig. No.	Fig. Name
ENGINE L50A-L90ASES			
1.	CYLINDER BLOCK		
2.	CYLINDER HEAD & BONNET		
3.	AIR CLEANER		
4.	MUFFLER		
5.	CAMSHAFT & CRANKSHAFT		
6.	PISTON & CONNECTING ROD		
7.	LUB. OIL PUMP & GOVERNOR		
8.	COOLING & STARTING DEVICE		
13.	(8A)COOLING & STARTING DEVICE		
9.	FUEL INJECTION DEVICE		
10.	FUEL TANK & FUEL LINE		
11.	STARTING MOTOR & DYNAMO		
12.	LABEL & TOOL		

OCD10-M41000

Fig.1. CYLINDER BLOCK



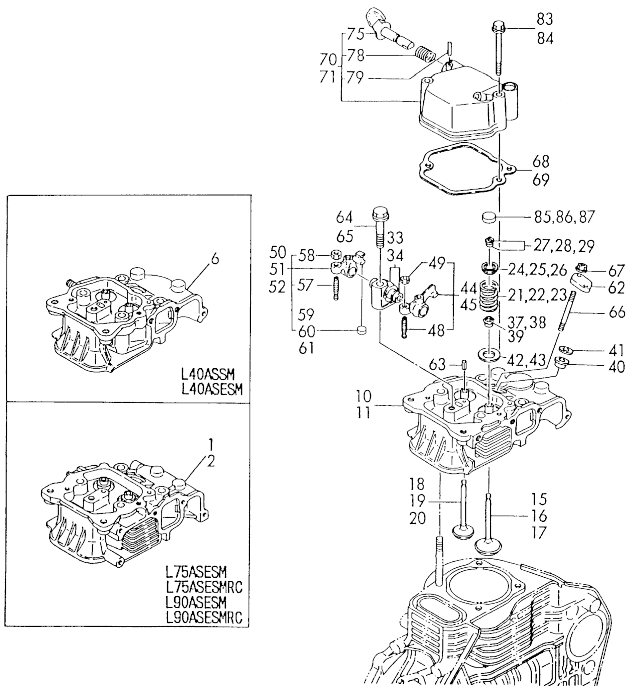
No.	Lev.	Parts No.	Description	Q'ty						I	R
				(A)	(B)	(C)	(D)	(E)	(F)		
1	1	714271-01560	BLOCK ASSY, CYLINDER	1							
2	1	714471-01560	BLOCK ASSY, CYLINDER		1						
3	1	714371-01560	BLOCK ASSY, CYLINDER			1					
4	1	714571-01560	BLOCK ASSY, CYLINDER				1				
5	1	714671-01560	BLOCK ASSY, CYLINDER					1			
19	2	114350-01700	COVER	1	1	1	1	1	1		
20	2	26106-100122	BOLT, M10X 12 PLATED	2	2	2	2	2			
21	1	114250-01200	BOLT, HEAD	2							
22	1	114350-01200	BOLT, HEAD		2	2					
23	1	114650-01230	BOLT, HEAD				2	2			
24	1	114250-01210	BOLT, HEAD	2							
25	1	114350-01210	BOLT, HEAD		2	2					
26	1	114650-01240	BOLT, HEAD				2	2			
27	1	105025-01220	NUT, CYLINDER HEAD				2	2			
28	1	114250-01220	NUT, CYLINDER HEAD	2							
29	1	114350-01220	NUT, CYLINDER HEAD	2	2						
30	1	105225-01240	WASHER		4	4					
31	1	124950-01250	WASHER	4							
32	1	114650-01260	WASHER				4	4			
33	1	114250-01250	NUT, CAP	2							
34	1	114350-01250	NUT, CYLINDER HEAD		2	2					
35	1	114650-01250	NUT, CYLINDER HEAD				2	2			
36	1	114250-01340	GASKET, HEAD	1							
37	1	114350-01340	GASKET, HEAD			1					
38	1	114650-01340	GASKET, HEAD					1			
39	1	114450-01340	GASKET, HEAD		1						
40	1	114550-01340	GASKET, HEAD				1				
41	1	114250-01380	O-RING	1							
42	1	114350-01380	O-RING		1	1					
43	1	114650-01380	O-RING					1	1		
44	1	114250-01800	SHIM SET	1	1	1	1	1	1		
49	1	114250-01830	COVER	1	1	1	1	1	1		
50	1	114250-01840	GASKET	1	1	1	1	1	1		
51	1	22312-080120	PIN, PARALLEL M8X12	2	2	2	2	2	2		
52	1	26226-060182	STUD, M6X 18	1	1	1	1	1	1		
53	1	26226-060222	STUD, M6X 22	2	2	2	2	2	2		
54	1	26366-060002	NUT, M6	3	3	3	3	3	3		
55	1	114250-01412	GASKET, CRANK CASE	1							
56	1	114350-01412	GASKET, CRANK CASE		1	1					
57	1	114650-01411	GASKET, CRANK CASE				1	1			
58	1	114250-01452	COVER, CRANK CASE	1							
60	1	114350-01452	COVER, CRANK CASE		1	1					
62	1	114650-01452	COVER, CRANK CASE				1	1			
65	1	26106-060252	BOLT, M6X 25 PLATED	14							
66	1	26106-080352	BOLT, M8X 35 PLATED	1	15	15	16	16			
67	1	105425-01690	PLUG, 16	3	3	3	4	4			
68	1	160910-01740	CAP ASSY	2	2	2	2	2			
70	2	24311-000180	O-RING, 1AP18.0		2	2	2	2			
71	1	160710-01760	CAP ASSY, L82	2							
73	2	24311-000180	O-RING, 1AP18.0		2						
74	1	43400-500490	SEAL WASHER 16S	3	3	3	4	4			

Remarks

- (1) ONLY FOR REPAIR.
- (2) UNDERSIZED(U.S=0.25) PART.
- (3) UNDERSIZED(U.S=0.50) PART.

N:Old $\frac{100}{100}$ New, Q:Old $\frac{100}{100}$ New, R:Old $\frac{100}{100}$ New, S:Old $\frac{100}{100}$ New, W:Add, Z:Discontinued, F:Interchangeable by set, K:Q'ty Change
 ++ CONTINUE ++
 Copyright (C) YANMAR CO., LTD. All Rights Reserved.

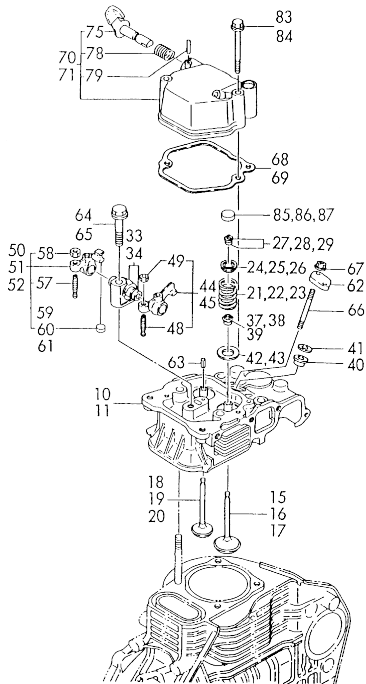
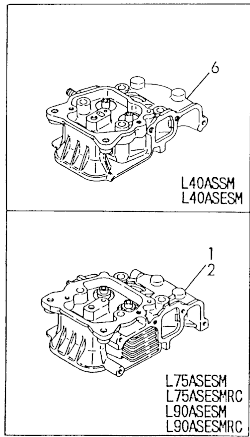
Fig.2. CYLINDER HEAD & BONNET



No.	Lev.	Parts No.	Description	Q'ty						I	R
				(A)	(B)	(C)	(D)	(E)	(F)		
1	1	114650-11010	HEAD ASSY, CYLINDER							1	
2	1	114550-11010	HEAD ASSY, CYLINDER					1			
6	1	114250-11020	HEAD ASSY, CYLINDER	1							
10	1	114870-11020	HEAD ASSY, CYLINDER				1				
11	1	114450-11021	HEAD ASSY, CYLINDER		1						
15	1	114250-11101	VALVE, INTAKE	1							
16	1	114350-11101	VALVE, INTAKE		1	1					
17	1	114650-11100	VALVE, INTAKE					1	1		
18	1	114250-11113	VALVE, EXHAUST	1							
19	1	114350-11113	VALVE, EXHAUST		1	1					
20	1	114654-11110	VALVE, EXHAUST					1	1		
21	1	114250-11120	SPRING, VALVE	2							
22	1	114350-11120	SPRING, VALVE		2	2					
23	1	114650-11121	SPRING, VALVE					2	2		
24	1	101158-11180	RETAINER, SPRING		2	2					
25	1	114250-11180	RETAINER, SPRING	2							
26	1	119620-11180	RETAINER, SPRING					2	2		
27	1	27310-070001	COTTER, 7					2	2		
28	1	27310-060001	COTTER, 6		2	2					
29	1	714250-11570	COTTER ASSY	2							
33	1	114650-11261	SUPPORT, ROCKER ARM					1	1		
34	1	114250-11290	SUPPORT, ROCKER ARM	1	1	1					
37	1	114250-11340	SEAL, VALVE STEM	2							
38	1	114350-11340	SEAL, VALVE STEM		2	2					
39	1	114650-11340	SEAL, VALVE STEM					2	2		
40	1	114250-11460	GASKET, NOZZLE	1	1	1	1	1	1		
41	1	114350-11470	SPACER, NOZZLE	1	1	1	1	1	1		
42	1	114250-11600	WASHER	2	2	2					
43	1	114650-11600	WASHER					2	2		
44	1	114250-11651	ARM, ROCKER	1	1	1					
45	1	114650-11652	ARM, ROCKER					1	1		
48	2	114250-11240	SCREW, VALVE ADJUST	1	1	1	1	1	1		
49	2	26756-060002	NUT, LOCK M6	1	1	1	1	1	1		
50	1	714270-11660	ARM ASSY, ROCKER	1							
51	1	714370-11660	ARM ASSY, ROCKER		1	1					
52	1	714670-11660	ARM ASSY, ROCKER					1	1		
57	3	114250-11240	SCREW, VALVE ADJUST	1	1	1	1	1	1		
58	3	26756-060002	NUT, LOCK M6	1	1	1	1	1	1		
59	2	119260-11370	CAP, VALVE	1							
60	2	105010-11490	CAP, VALVE		1	1					
61	2	104211-11370	CAP, VALVE					1	1		
62	1	114250-11900	RETAINER, NOZZLE	1	1	1	1	1	1		
63	1	22351-040008	PIN, SPRING 4.0X 8	1	1	1	1	1	1		
64	1	26106-080452	BOLT, M8X 45 PLATED	1	1	1					
65	1	26106-100552	BOLT, M10X 55 PLATED					1	1		
66	1	26226-060652	STUD, M6X 65	2	2	2	2	2	2		
67	1	26366-060002	NUT, M6	2	2	2	2	2	2		
68	1	114250-11310	GASKET, BONNET	1	1	1					
69	1	114650-11310	GASKET, BONNET					1	1		
70	1	114250-11951	BONNET ASSY, HEAD	1	1	1					
71	1	114650-11951	BONNET ASSY, HEAD					1	1		

N:Old $\frac{100}{100}$ New, Q:Old $\frac{100}{100}$ New, R:Old $\frac{100}{100}$ New, S:Old $\frac{100}{100}$ New, W:Add, Z:Discontinued, F:Interchangeable by set, K:Q'ty Change
 ++ CONTINUE ++
 Copyright (C) YANMAR CO., LTD. All Rights Reserved.

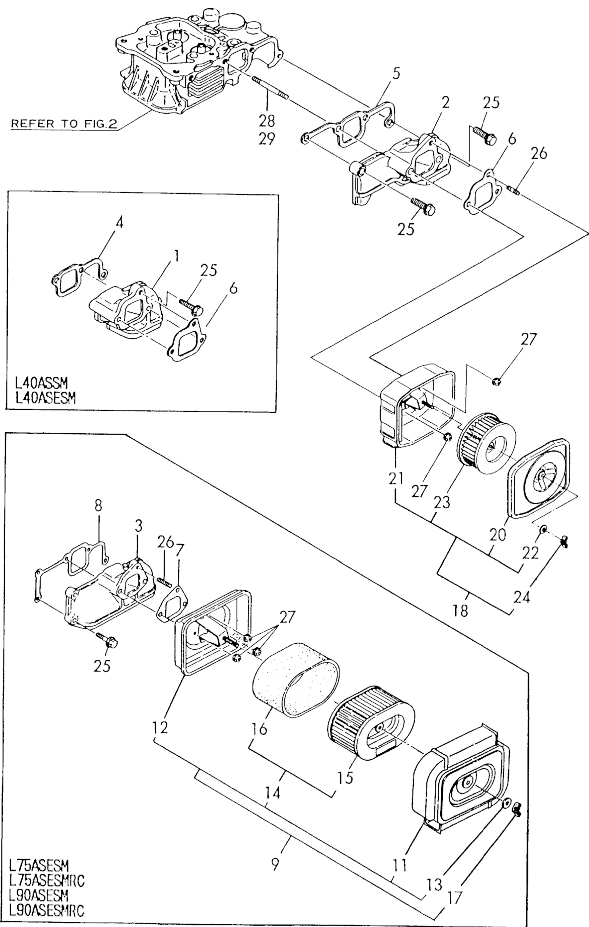
Fig.2. CYLINDER HEAD & BONNET



No.	Lev.	Parts No.	Description	Q'ty						I	R
				(A)	(B)	(C)	(D)	(E)	(F)		
75	2	114250-03591	LEVER ASSY	1	1	1	1	1			
78	2	114250-03640	SPRING, DECOMPRESSION	1	1	1	1	1			
79	2	22312-030160	PIN, PARALLEL M3X16	1	1	1	1	1			
83	1	26106-060552	BOLT, M6X 55 PLATED	2	2	2					
84	1	26106-060702	BOLT, M6X 70 PLATED				2	2			
85	1	105010-11490	CAP, VALVE		1	1					
86	1	119260-11370	CAP, VALVE	1							
87	1	104211-11370	CAP, VALVE				1	1			

OCD10-M41000

Fig.3. AIR CLEANER

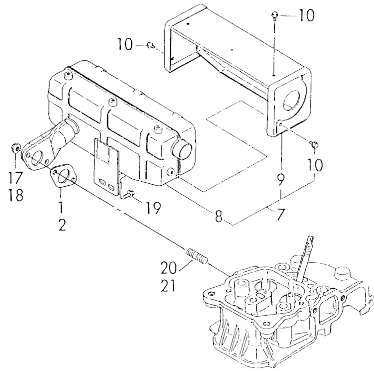
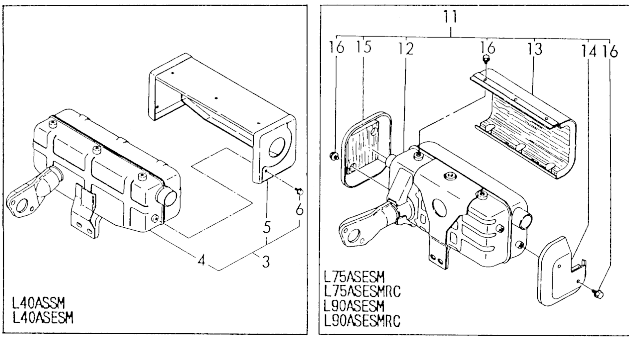


No.	Lev.	Parts No.	Description	Q'ty						I	R
				(A)	(B)	(C)	(D)	(E)	(F)		
1	1	114250-12010	PIPE, AIR INTAKE	1							
2	1	114350-12011	PIPE, AIR INTAKE		1	1					
3	1	114650-12020	PIPE, AIR INTAKE				1	1			
4	1	114250-12200	GASKET	1							
5	1	114350-12201	GASKET		1	1					
6	1	114250-12210	GASKET, AIR CLEANER	1	1	1					
7	1	114650-12210	GASKET, AIR CLEANER					1	1		
8	1	114650-12300	GASKET					1	1		
9	1	714650-12560	CLEANER ASSY, AIR					1	1		
11	3	114650-12520	COVER, AIR CREAMER					1	1		
12	3	114650-12530	CASE ASSY, CLEANER					1	1		
13	3	114252-12560	WASHER, SEAL M8					1	1		
14	3	114650-12590	ELEMENT ASSY					1	1		
15	4	114650-12540	ELEMENT					1	1		
16	4	114650-12550	FILTER, PRE					1	1		
17	2	114252-12550	NUT, WING M8					1	1		
18	1	714250-12560	CLEANER ASSY, AIR	1	1	1					
20	3	114250-12520	COVER, AIR CREAMER	1	1	1					
21	3	114250-12530	CASE ASSY, CLEANER	1	1	1					
22	3	114250-12560	WASHER, SEAL M6	1	1	1					
23	3	114250-12580	ELEMENT	1	1	1					
24	2	114250-12550	NUT, WING M6	1	1	1					
25	1	26106-060252	BOLT, M6X 25 PLATED	1	2	2	3	3			
26	1	26226-060142	STUD, M6X 14	1	1	1	1	1			
27	1	26366-060002	NUT, M6	3	3	3	3	3			
28	1	26226-060552	STUD, M6X 55	2	2	2					
29	1	26226-060752	STUD, M6X 75					2	2		

N:Old $\frac{New}{Old}$ New, Q:Old $\frac{New}{Old}$ New, R:Old $\frac{New}{Old}$ New, S:Old $\frac{New}{Old}$ New, W:Add, Z:Discontinued, F:Interchangeable by set, K:Q'ty Change
 Copyright (C) YANMAR CO., LTD. All Rights Reserved.

OCD10-M41000

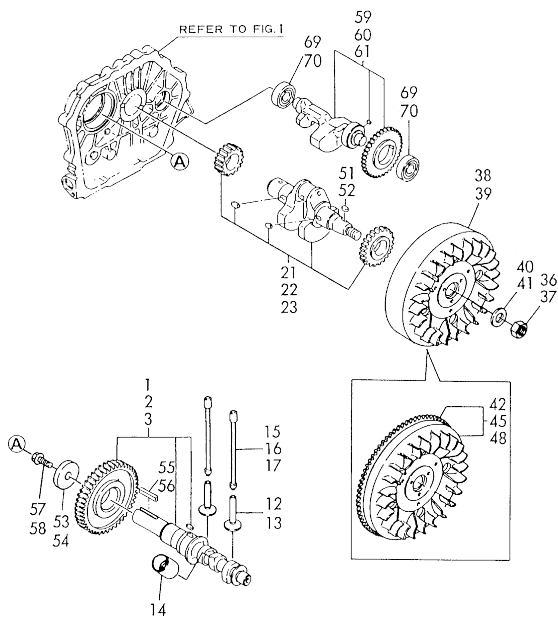
Fig.4. MUFFLER



No.	Lev.	Parts No.	Description	Q'ty						I	R
				(A)	(B)	(C)	(D)	(E)	(F)		
1	1	114250-13200	GASKET, MUFFLER								
2	1	114650-13200	GASKET, MUFFLER	1	1	1		1	1		
3	1	114260-13501	MUFFLER ASSY	1							
4	2	114260-13510	MUFFLER	1							
5	2	114260-13701	COVER	1							
6	2	26106-060082	BOLT, M6X 8 PLATED	5							
7	1	114360-13501	MUFFLER ASSY		1	1					
8	2	114360-13510	MUFFLER		1	1					
9	2	114260-13701	COVER		1	1					
10	2	26106-060082	BOLT, M6X 8 PLATED		5	5					
11	1	114674-13560	MUFFLER ASSY					1	1		
12	2	114674-13520	SILENCER					1	1		
13	2	183382-13700	COVER					1	1		
14	2	114674-13710	COVER					1	1		
15	2	114970-13710	COVER					1	1		
16	2	160260-01580	BOLT, FLANGE M6X6					10	10		
17	1	26106-060122	BOLT, M6X 12 PLATED	2	2	2					
18	1	26106-080162	BOLT, M8X 16 PLATED					2	2		
19	1	26366-080002	NUT, M8	2	2	2		2	2		
20	1	26216-080182	STUD, M8X 18	2	2	2					
21	1	26226-080202	STUD, M8X 20					2	2		

N:Old $\frac{New}{Old}$ New, Q:Old $\frac{New}{Old}$ New, R:Old $\frac{New}{Old}$ New, S:Old $\frac{New}{Old}$ New, W:Add, Z:Discontinued, F:Interchangeable by set, K:Q'ty Change
 Copyright (C) YANMAR CO., LTD. All Rights Reserved.

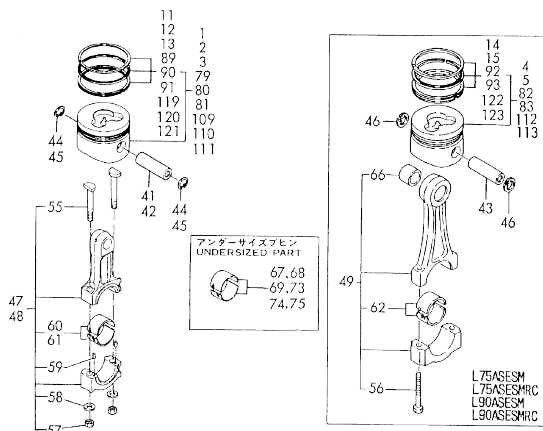
Fig.5. CAMSHAFT & CRANKSHAFT



No.	Lev.	Parts No.	Description	Q'ty						I	R
				(A)	(B)	(C)	(D)	(E)	(F)		
1	1	714770-14580	CAMSHAFT ASSY	1							
1-1	1	714770-14582 (A=EZZZZZ)	CAMSHAFT ASSY, S	1							R
2	1	714870-14580	CAMSHAFT ASSY		1	1					
3	1	714679-14580	CAMSHAFT ASSY				1	1			
12	1	114250-14200	TAPPET	2	2	2					
13	1	114650-14200	TAPPET				2	2			
14	1	114250-14260	TAPPET	1	1	1	1	1			
15	1	114650-14401	ROD ASSY, PUSH				2	2			
16	1	114250-14450	ROD ASSY, PUSH	2							
17	1	114350-14450	ROD ASSY, PUSH		2	2					
21	1	714278-21710	CRANKSHAFT ASSY	1							
22	1	714378-21710	CRANKSHAFT ASSY		1	1					
23	1	714679-21710	CRANKSHAFT ASSY				1	1			
36	1	103854-01221	NUT, CYLINDER HEAD	1	1	1					
37	1	122710-01220	NUT, CYLINDER HEAD				1	1			
38	1	114770-21400	FLYWHEEL	1							
39	1	114870-21400	FLYWHEEL		1	1					
40	1	114250-21550	WASHER	1	1	1					
41	1	114650-21551	WASHER				1	1			
42	1	114651-21592	FLYWHEEL				1	1			
45	1	114771-21590	FLYWHEEL ASSY	1							
48	1	114871-21590	FLYWHEEL ASSY		1	1					
51	1	22512-040120	KEY, 4X 12	1	1	1					
52	1	22512-050140	KEY, 5X 14				1	1			
53	1	160310-14550	WASHER	1	1	1					
54	1	145610-83880	RETAINER				1	1			
55	1	22512-050300	KEY, 5X 30	1							
56	1	22512-070360	KEY, 7X 36		1	1	1	1	1		
57	1	26106-080202	BOLT, M8X 20 PLATED	1	1	1					
58	1	26106-100252	BOLT, M10X 25 PLATED					1	1		
59	1	714770-28510	SHAFT ASSY, BALANCER	1							
59-1	1	714770-28511	SHAFT ASSY, BALANCER	1							R
59-2	1	714770-28512 (A=EZZZZZ)	SHAFT ASSY, BALANCER	1							R
60	1	714870-28510	SHAFT ASSY, BALANCER		1	1					
61	1	714970-28510	SHAFT ASSY, BALANCER				1	1			
69	1	24101-062024	BEARING, BALL 6202	2	2	2					
70	1	24101-062034	BEARING, BALL 6203				2	2			

N:Old $\frac{New}{Old}$ New, Q:Old $\frac{New}{Old}$ New, R:Old $\frac{New}{Old}$ New, S:Old $\frac{New}{Old}$ New, W:Add, Z:Discontinued, F:Interchangeable by set, K:Q'ty Change
 Copyright (C) YANMAR CO., LTD. All Rights Reserved.

Fig.6. PISTON & CONNECTING ROD



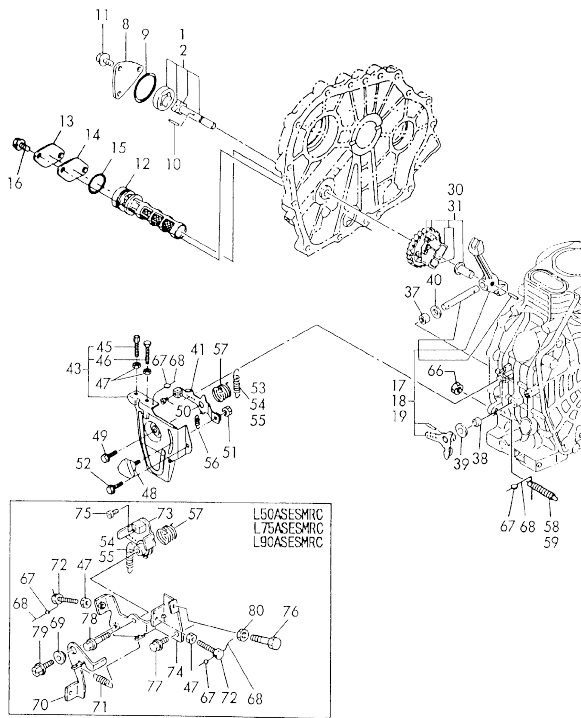
No.	Lev.	Parts No.	Description	Q'ty						I	R
				(A)	(B)	(C)	(D)	(E)	(F)		
1	1	714270-22720	PISTON ASSY, 19-63	1							
2	1	714470-22720	PISTON ASSY		1						
3	1	714370-22720	PISTON ASSY, S D75			1					
4	1	714550-22723	PISTON ASSY, S				1				
5	1	714650-22723	PISTON ASSY, S					1			
11	2	714250-22502	RING SET, PISTON	1							
12	2	714450-22501	RING SET, PISTON		1						
13	2	714350-22502	RING SET, PISTON			1					
14	2	714550-22502	RING SET, PISTON				1				
15	2	714650-22502	RING SET, PISTON					1			
41	1	114250-22302	PIN, PISTON D=19	1							
42	1	114350-22301	PIN, PISTON D=21			1					
43	1	114650-22300	PIN, PISTON D=23				1		1		
44	1	22252-000190	RING, 19	2							
45	1	22252-000210	RING, 21		2	2					
46	1	129792-22400	CIRCLIP, 23				2	2			
47	1	714250-23703	ROD ASSY, CONNECTING	1							
48	1	714350-23702	ROD ASSY, CONNECTING		1	1					M
48-1	1	714350-23704	ROD ASSY, CONNECTING		1	1					
49	1	714650-23700	ROD ASSY, CONNECTING				1	1			
55	3	114250-23200	BOLT, CONNECTING ROD	2	2	2					
56	3	104200-23201	BOLT, CONNECTING ROD				2	2			
57	3	114250-23220	NUT	2	2	2					
58	3	114250-23250	WASHER	2	2	2					
59	3	22312-030080	PIN, PARALLEL M3X 8	2	2	2					
60	2	714250-23600	BEARING, CRANK PIN	1							
61	2	714350-23600	BEARING, CRANK PIN		1	1					
62	2	714650-23600	BEARING, CRANK PIN					1	1		
66	2	124060-23100	BEARING, PISTON PIN					1	1		
67	1	714250-23610	BEARING ASSY, 0.25	1							1
68	1	714350-23610	BEARING ASSY, 0.25		1	1					1
69	1	714650-23610	BEARING ASSY, 0.25				1	1			1
73	1	714250-23620	BEARING, 0.50 US	1							2
74	1	714350-23620	BEARING, 0.50 US		1	1					2
75	1	714650-23620	BEARING, 0.50 US				1	1			2
79	1	714270-22620	PISTON ASSY, 0.25 OS	1							3
80	1	714470-22620	PISTON ASSY, 0.25 OS		1						3
81	1	714370-22620	PISTON ASSY, 0.25 OS			1					3
82	1	714550-22623	PISTON ASSY, 0.25 OS				1				3
83	1	714650-22623	PISTON ASSY, 0.25 OS					1			3
89	2	714250-22542	RING SET, 0.25 OS	1							3
90	2	714450-22541	RING SET, 0.25 OS		1						3
91	2	714350-22542	RING SET, 0.25 OS			1					3
92	2	714550-22542	RING SET, 0.25 OS				1				3
93	2	714650-22542	RING SET, 0.25 OS					1			3
109	1	714270-22580	PISTON ASSY, 0.50 OS	1							4
110	1	714470-22580	PISTON ASSY, 0.50 OS		1						4
111	1	714370-22580	PISTON ASSY, 0.50 OS			1					4
112	1	714550-22580	PISTON ASSY, 0.50 OS				1				4
113	1	714650-22580	PISTON ASSY, 0.50 OS					1			4
119	2	714250-22550	RING SET, 0.50 OS	1							4

Remarks

- (1) UNDERSIZED(U.S=0.25) PART.
- (2) UNDERSIZED(U.S=0.50) PART.
- (3) OVERSIZED(O.S=0.25) PART.
- (4) OVERSIZED(O.S=0.50) PART.
- (M) MISPRINT.

OCD10-M41000

Fig.7. LUB. OIL PUMP & GOVERNOR



No.	Lev.	Parts No.	Description	Qty						I	R
				(A)	(B)	(C)	(D)	(E)	(F)		
1	1	114250-32010	PUMP ASSY, OIL								
2	1	114650-32010	PUMP ASSY, OIL								
8	1	114250-32070	COVER	1	1	1	1	1	1		
9	1	103338-32570	O-RING	1	1	1	1	1	1		
10	1	22312-030160	PIN, PARALLEL M3X16	1	1	1	1	1	1		
11	1	26476-060142	SCREW, TAPPING M6X14	3	3	3	3	3	3		
12	1	114250-35060	FILTER, OIL	1	1	1	1	1	1		
13	1	114250-35250	COVER	1	1	1	1	1	1		
14	1	114250-35270	GASKET	1	1	1	1	1	1		
15	1	24341-000224	O-RING, 1AS22.4	1	1	1	1	1	1		
16	1	26106-060122	BOLT, M6X 12 PLATED	2	2	2	2	2	2		
17	1	714250-61500	LEVER ASSY, GOVERNOR	1							
18	1	714350-61500	LEVER ASSY, GOVERNOR		1	1					
19	1	714650-61500	LEVER ASSY, GOVERNOR					1	1		
30	1	714770-61700	GOVERNOR ASSY	1	1	1					
31	1	714970-61700	GOVERNOR ASSY						1	1	
37	1	121450-61520	BEARING, NEEDLE 8	2	2	2	2	2	2		
38	1	114770-61600	SEAL, OIL	1	1	1	1	1	1		
39	1	114770-61610	WASHER, THRUST	2	2	2	2	2	2		
40	1	22137-080000	WASHER, 8	1	1	1	1	1	1		
41	1	114250-66050	HANDLE, REGULATOR	1	1	1	1	1	1		
43	1	114268-66500	BRACKET ASSY, HANDLE	1	1	1	1	1	1		
45	2	114250-66440	BOLT, ADJUSTING	1	1	1	1	1	1		
46	2	102100-67080	BOLT, ADJUSTING	1	1	1	1	1	1		
47	1	26757-060002	NUT, LOCK M6	2	2	2	2	2	2		
48	1	160725-78350	KNOB	1	1	1	1	1	1		
49	1	26106-060202	BOLT, M6X 20 PLATED	1	1	1	1	1	1		
50	1	26117-040088	BOLT M 4X 8 PLATED	1	1	1	1	1	1		
51	1	26347-060002	NUT, M6	1	1	1	1	1	1		
52	1	26476-060142	SCREW, TAPPING M6X14	1	1	1	1	1	1		
53	1	114770-66010	SPRING, REGULATOR	1							
54	1	114870-66010	SPRING, REGULATOR		1	1					
55	1	114970-66010	SPRING, REGULATOR					1	1		
56	1	114250-66200	SPRING, RETURN	1	1	1	1	1	1		
57	1	114252-66252	SPRING, RETURN	1	1	1	1	1	1		
58	1	114250-66550	LIMITER ASSY, FUEL	1	1	1					
59	1	114650-66500	LIMITER ASSY, FUEL						1	1	
66	1	26696-100002	NUT, LOCK M10	1	1	1	1	1	1		
67	1	135210-61090	LEAD	2	2	2	2	2	2		
68	1	22451-060000	WIRE, 0.6	2	2	2	2	2	2		
69	1	114654-66140	PIECE	1	1	1	1	1	1		1
70	1	114650-66150	LEVER, STOP	1	1	1	1	1	1		1
71	1	114268-66200	SPRING, RETURN	1			1	1	1		1
72	1	114250-66440	BOLT, ADJUSTING	2			2	2	2		1
73	1	114652-66871	LEVER, REGULATOR	1			1	1	1		1
74	1	114652-66881	BRACKET	1			1	1	1		1
75	1	105225-66990	SCREW, M5X8.5	1			1	1	1		1
76	1	102100-67080	BOLT, ADJUSTING	1			1	1	1		1
77	1	26106-060122	BOLT, M6X 12 PLATED	1			1	1	1		1
78	1	26106-060302	BOLT, M6X 30 PLATED	1			1	1	1		1
79	1	26476-060202	SCREW, TAPPING M6X20	1			1	1	1		1

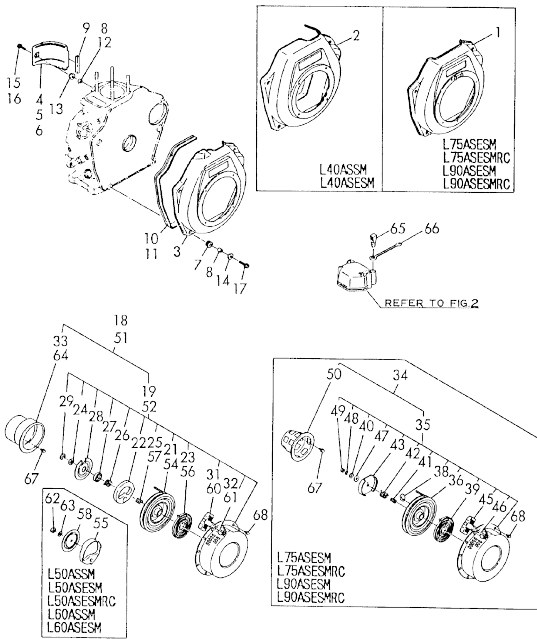
Remarks

(1) EXCLUSIVE FOR L50ASESMRC, L75ASESMRC & L90ASESMRC.

N:Old $\frac{New}{Old}$ New, Q:Old $\frac{New}{Old}$ New, R:Old $\frac{New}{Old}$ New, S:Old $\frac{New}{Old}$ New, W:Add, Z:Discontinued, F:Interchangeable by set, K:Qty Change
 ++ CONTINUE ++ Copyright (C) YANMAR CO., LTD. All Rights Reserved.

OCD10-M41000

Fig.8. COOLING & STARTING DEVICE



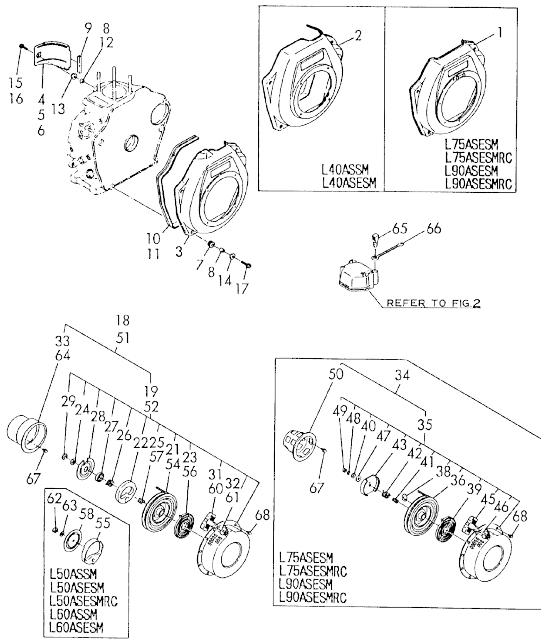
No.	Lev.	Parts No.	Description	Q'ty						I	R
				(A)	(B)	(C)	(D)	(E)	(F)		
1	1	114658-45102	CASE, COOLING FAN					1	1		
2	1	114770-45100	CASE, COOLING FAN	1							
3	1	114870-45100	CASE, COOLING FAN		1	1					
4	1	114650-45200	COVER					1	1		
5	1	114870-45200	COVER		1	1					
6	1	114250-45211	COVER	1							
7	1	114250-45300	ABSORBER	4	5	5	4	4			
8	1	114250-45310	COLLAR	4	5	5	4	4			
9	1	114350-45320	RUBBER, SEAL		1	1	1	1			
10	1	114250-45330	SEAL, FAN CASE L=875	1	1	1					
11	1	114650-45330	SEAL, FAN CASE L=950					1	1		
12	1	114350-45340	COLLAR		1	1	1	1			
13	1	183720-55210	GROMMET				1	1	1		
14	1	160120-76940	WASHER	4	5	5	4	4			
15	1	26476-060142	SCREW, TAPPING M6X14	1							
16	1	26476-060202	SCREW, TAPPING M6X20				1	1	1	1	
17	1	26476-060252	SCREW, TAPPING M6X25	4	5	5	4	4			
18	1	114250-76050	STARTER ASSY, RECOIL	1							
18-1	1	114250-76051	STARTER ASSY, RECOIL	1							R 1
		(A=EZZZZZ)									
19	2	114250-76250	STARTER ASSY, RECOIL	1							
19-1	2	114250-76251	STARTER ASSY, RECOIL	1							S
		(A=EZZZZZ)									
21	3	160260-76520	REEL	1							
22	3	160260-76530	RATCHET	1							
23	3	160260-76540	SPRING, SPIRAL	1							
24	3	160260-76550	WASHER, THRUST	1							
25	3	160260-76560	SPRING, FRICTION	1							
26	3	160260-76570	SPRING, RETURN	1							
27	3	160260-76580	COVER	1							
28	3	160260-76590	PLATE, FRICTION	1							
29	3	160260-76600	CIRCLIP	1							
31	4	160260-76620	KNOB, STARTER	1							
31-1	4	160490-76600	KNOB, STARTER	1							S
		(A=EZZZZZ)									
32	4	160260-76630	ROPE, STARTER	1							
32-1	4	160260-76630	ROPE, STARTER	1							
		(A=EZZZZZ)									
33	2	114250-76590	PULLEY, STARTER	1							
34	1	114650-76050	STARTER ASSY, RECOIL					1	1		
34-1	1	114650-76051	STARTER ASSY, RECOIL					1	1		S 1
				(D=EZZZZZ)		(E=EZZZZZ)					
35	2	114650-76250	STARTER ASSY, RECOIL					1	1		
36	3	114650-76520	REEL					1	1		
38	3	160910-76530	RATCHET					1	1		
39	3	114650-76540	SPRING, SPIRAL					1	1		
40	3	160910-76550	WASHER, THRUST					1	1		
41	3	160910-76560	SPRING, FRICTION					1	1		
42	3	160910-76570	SPRING, RETURN					1	1		
43	3	160910-76580	PLATE, FRICTION					1	1		
45	3	160910-76620	KNOB, STARTER					1	1		

Remarks
 (1) New type is in Fig.13
 *This item is applicable to
 [(D)(E)=EZZZZZ-1] or previous
 machines. Refer to Fig.13.

N:Old $\frac{100}{100}$ New, Q:Old $\frac{100}{100}$ New, R:Old $\frac{100}{100}$ New, S:Old $\frac{100}{100}$ New, W:Add, Z:Discontinued, F:Interchangeable by set, K:Q'ty Change
 ++ CONTINUE ++
 Copyright (C) YANMAR CO., LTD. All Rights Reserved.

OCD10-M41000

Fig.8. COOLING & STARTING DEVICE



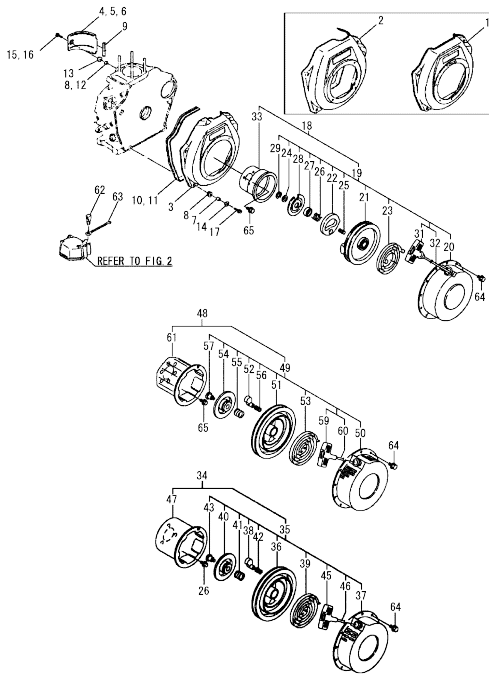
No.	Lev.	Parts No.	Description	Q'ty						I	R
				(A)	(B)	(C)	(D)	(E)	(F)		
46	3	114650-76630	ROPE, STARTER				1	1			
47	3	160910-76650	WASHER, THRUST				1	1			
48	3	22217-060000	WASHER, SPRING 6				1	1			
49	3	26717-060002	NUT, M6				1	1			
50	2	114660-76590	PULLEY, STARTER				1	1			
51	1	114870-76050	STARTER ASSY, RECOIL	1	1					1	
52	2	114870-76250	STARTER ASSY, RECOIL	1	1						
54	3	160810-76520	REEL	1	1						
55	3	160810-76530	RATCHET	1	1						
56	3	160810-76540	SPRING, SPIRAL	1	1						
57	3	160810-76560	SPRING, FRICTION	1	1						
58	3	160810-76580	PLATE, FRICTION	1	1						
60	3	160810-76620	KNOB, STARTER	1	1						
61	3	160810-76630	ROPE, STARTER	1	1						
62	3	181130-76680	NUT	1	1						
63	3	181130-76700	WASHER	1	1						
64	2	114350-76590	PULLEY, STARTER	1	1						
65	1	114250-76600	PLUNGER	1	1	1					
66	1	114250-76610	HOLDER, PLUNGER	1	1	1					
67	1	26106-060122	BOLT, M6X 12 PLATED	3	3	3	4	4			
68	1	26106-060082	BOLT, M6X 8 PLATED	4	4	4	4	4			

Remarks
 (1)New type is in Fig.13
 *This item is applicable to
 [(D)(E)=EZZZZ-1] or previous
 machines. Refer to Fig.13.

N:Old $\frac{100}{100}$ New, Q:Old $\frac{100}{100}$ New, R:Old $\frac{100}{100}$ New, S:Old $\frac{100}{100}$ New, W:Add, Z:Discontinued, F:Interchangeable by set, K:Qty Change
 Copyright (C) YANMAR CO., LTD. All Rights Reserved.

OCD10-M41000

Fig.13. (8A)COOLING & STARTING DEVICE



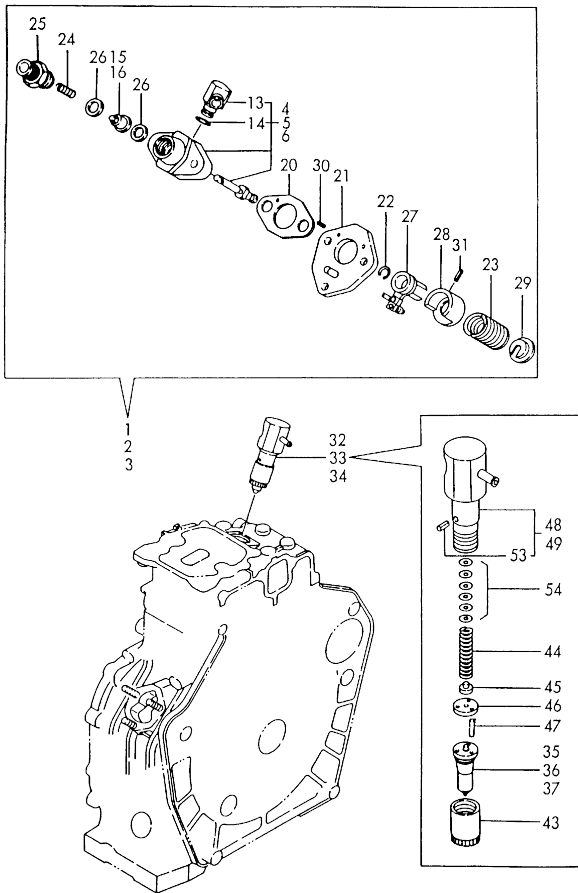
No.	Lev.	Parts No.	Description	Q'ty						I	R
				(A)	(B)	(C)	(D)	(E)	(F)		
1	1	114658-45102	CASE, COOLING FAN						1		
2	1	114770-45100	CASE, COOLING FAN	1							
3	1	114870-45100	CASE, COOLING FAN			1	1				
4	1	114650-45201	COVER					1	1		
5	1	114870-45201	COVER			1	1				
6	1	114299-45210	COVER	1							
7	1	114250-45301	ABSORBER						4	4	
8	1	114250-45310	COLLAR	4	5	5	4	4			
9	1	114350-45320	RUBBER, SEAL			1	1	1	1		
10	1	114250-45330	SEAL, FAN CASE L=875	1	1	1					
11	1	114650-45330	SEAL, FAN CASE L=950						1	1	
12	1	114350-45340	COLLAR			1	1	1	1		
13	1	183720-55210	GROMMET				1	1	1	1	
14	1	160120-76940	WASHER	4	5	5	4	4			
17	1	26476-060252	SCREW, TAPPING M6X25	4	5	5	4	4			
18	1	114250-76051	STARTER ASSY, RECOIL	1							1
19	2	114250-76251	STARTER ASSY, RECOIL								
20	3	114250-76510	CASE, STARTER	1							
21	3	160260-76520	REEL	1							
22	3	160260-76530	RATCHET	1							
23	3	160260-76540	SPRING, SPIRAL	1							
24	3	160260-76550	WASHER, THRUST	1							
25	3	160260-76560	SPRING, FRICTION	1							
26	3	160260-76570	SPRING, RETURN	1							
27	3	160260-76580	COVER	1							
28	3	160260-76590	PLATE, FRICTION	1							
29	3	160260-76600	CIRCLIP	1							
31	4	160490-76600	KNOB, STARTER	1							
32	4	160260-76630	ROPE, STARTER	1							
33	2	114250-76590	PULLEY, STARTER	1							
34	1	114650-76052	STARTER ASSY, RECOIL						1	1	2
35	2	114650-76251	STARTER ASSY, RECOIL							1	
36	3	114650-76520	REEL							1	1
37	3	114650-76531	CASE, STARTER							1	1
38	3	114870-76530	RATCHET							2	2
39	3	114870-76540	SPRING, SPIRAL							1	1
40	3	114870-76550	GUIDE, RATCHET							1	1
41	3	114870-76560	SPRING, FRICTION							1	1
42	3	114870-76570	SPRING, RETURN							2	2
43	3	114870-76580	SCREW							1	1
45	4	114870-76620	KNOB, STARTER							1	1
46	4	114650-76631	ROPE, STARTER							1	1
47	2	114660-76592	PULLEY, STARTER							1	1
48	1	114870-76051	STARTER ASSY, RECOIL			1	1				3
49	2	114870-76251	STARTER ASSY, RECOIL						1	1	
50	3	114870-76511	CASE, STARTER						1	1	
51	3	114880-76520	REEL							1	1
52	3	114870-76530	RATCHET						2	2	
53	3	114870-76540	SPRING, SPIRAL							1	1
54	3	114870-76550	GUIDE, RATCHET							1	1
55	3	114870-76560	SPRING, FRICTION							1	1

Remarks

- (1) Interchangeable by simultaneous replacement with Ref.19 nd Ref.33
- (2) Interchangeable by simultaneous replacement with Ref.35 nd Ref.47
- (3) Interchangeable by simultaneous replacement with Ref.49 nd Ref.61
- *This item is applicable to [(D)(E)=EZZZZZ] or following machines. Refer to Fig.8.

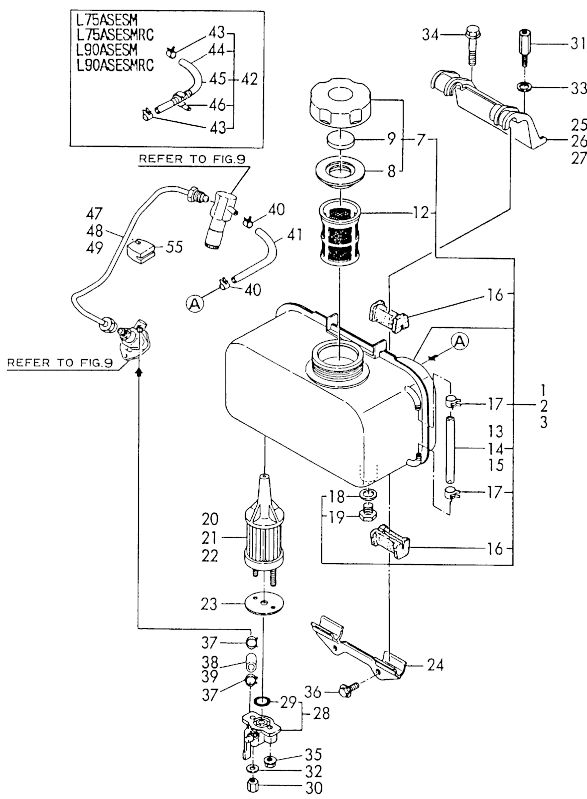
N:Old $\frac{100}{100}$ New, Q:Old $\frac{100}{100}$ New, R:Old $\frac{100}{100}$ New, S:Old $\frac{100}{100}$ New, W:Add, Z:Discontinued, F:Interchangeable by set, K:Q'ty Change
 ++ CONTINUE ++ Copyright (C) YANMAR CO., LTD. All Rights Reserved.

Fig.9. FUEL INJECTION DEVICE



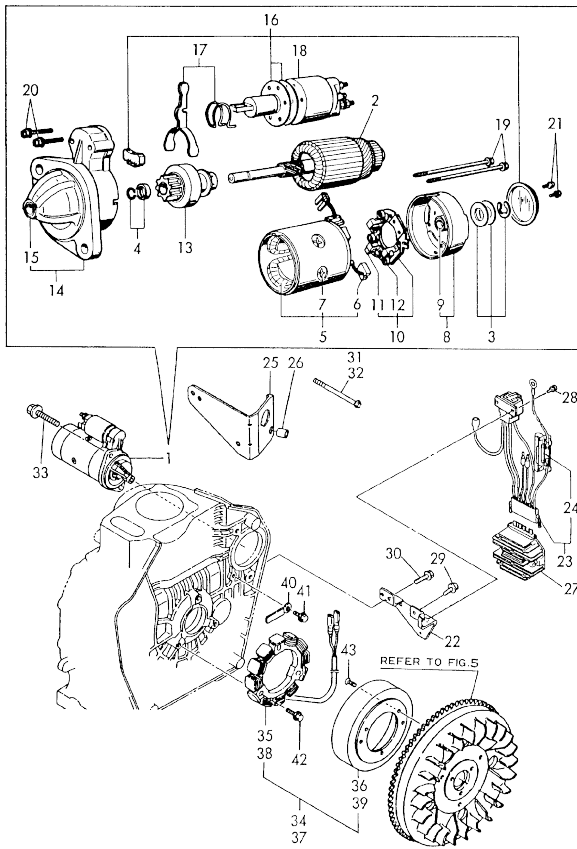
No.	Lev.	Parts No.	Description	Qty						I	R
				(A)	(B)	(C)	(D)	(E)	(F)		
1	1	714250-51710	PUMP ASSY, INJECTION	1							
2	1	714350-51701	PUMP ASSY, INJECTION		1	1					
3	1	714650-51700	PUMP ASSY, INJECTION					1	1		
4	2	114250-51200	BODY ASSY, PUMP	1							
5	2	114350-51200	BODY ASSY, PUMP		1	1					
6	2	114650-51100	BODY ASSY, PUMP					1	1		
13	3	114250-51180	JOINT, PIPE	1	1	1	1	1	1		
14	3	114250-51190	O-RING, S27	1	1	1	1	1	1		
15	2	114250-51300	VALVE ASSY, DELIVERY	1	1	1					
16	2	114650-51300	VALVE ASSY, DELIVERY					1	1		
20	2	105546-51020	GASKET	1	1	1	1	1	1		
21	2	114250-51080	PLATE	1	1	1	1	1	1		
22	2	114250-51150	RING, SNAP	1	1	1	1	1	1		
23	2	114250-51160	SPRING, PLUNGER	1	1	1	1	1	1		
24	2	105546-51330	SPRING, DELIVERY	1	1	1	1	1	1		
25	2	114250-51340	HOLDER, DELIVERY	1	1	1	1	1	1		
26	2	124550-51350	GASKET, DELIVERY	2	2	2	2	2	2		
27	2	114250-51600	LEVER ASSY, CONTROL	1	1	1	1	1	1		
28	2	114250-51640	SEAT, SPRING A	1	1	1	1	1	1		
29	2	114250-51650	SEAT, SPRING B	1	1	1	1	1	1		
30	2	22351-020006	PIN, SPRING 2.0X 6	2	2	2	2	2	2		
31	2	22351-030008	PIN, SPRING 3.0X 8	1	1	1	1	1	1		
32	1	714250-53101	VALVE ASSY, INJECTION	1							
33	1	714870-53100	VALVE ASSY, INJECTION		1	1					
34	1	714650-53100	VALVE ASSY, INJECTION					1	1		
35	2	114250-53001	VALVE ASSY, INJECTION	1							
36	2	114870-53000	VALVE ASSY, INJECTION		1	1					
37	2	114650-53000	VALVE ASSY, INJECTION					1	1		
43	2	114250-53080	NUT, NOZZLE D16.95	1	1	1	1	1	1		
44	2	114250-53120	SPRING, NOZZLE	1	1	1	1	1	1		
45	2	114250-53130	SEAT, SPRING	1	1	1	1	1	1		
46	2	114250-53140	PLATE	1	1	1	1	1	1		
47	2	114250-53210	PIN	2	2	2	2	2	2		
48	2	114250-53300	HOLDER ASSY, NOZZLE	1	1	1					
49	2	114650-53300	HOLDER ASSY, NOZZLE					1	1		
53	3	114250-53331	PIN	1	1	1	1	1	1		
54	2	114250-53400	SHIM SET	1	1	1	1	1	1		

Fig.10. FUEL TANK & FUEL LINE



No.	Lev.	Parts No.	Description	Q'ty						I	R
				(A)	(B)	(C)	(D)	(E)	(F)		
1	1	714250-55701	TANK ASSY, FUEL 2.5L	1							
2	1	714350-55701	TANK ASSY, FUEL		1	1					
3	1	714650-55701	TANK ASSY, FUEL								
7	2	114250-55041	CAP ASSY	1	1	1	1	1	1		
8	3	114250-55050	GASKET	1	1	1	1	1	1		
9	3	114250-55060	SEAL	1	1	1	1	1	1		
12	2	114250-55100	FILTER, FUEL	1	1	1	1	1	1		
13	2	114250-55150	GAUGE, LEVEL		1						
14	2	114350-55150	GAUGE, LEVEL			1	1				
15	2	114650-55150	GAUGE, LEVEL						1	1	
16	2	114250-55201	DAMPER, FUEL TANK	4	4	4	4	4	4		
17	2	124722-59050	CLIP, HOSE 9	2	2	2	2	2	2		
18	2	23414-120000	GASKET, 12X1.0	1	1	1	1	1	1		
19	2	23887-120002	PLUG, 12	1	1	1	1	1	1		
20	1	114250-55120	FILTER ASSY, FUEL	1							
21	1	114350-55120	FILTER ASSY, FUEL		1	1					
22	1	114650-55120	FILTER ASSY, FUEL					1	1		
23	1	114250-55130	GASKET	1	1	1	1				
24	1	114250-55211	STAY, FUEL TANK	1	1	1	1	1	1		
25	1	114250-55231	STAY, FUEL TANK	1							
26	1	114350-55231	STAY, FUEL TANK		1	1					
27	1	114650-55230	STAY, FUEL TANK						1	1	
28	1	114250-55300	COCK ASSY, FUEL	1	1	1	1	1	1		
29	2	24341-000150	O-RING, 1AS15.0	1	1	1	1	1	1		
30	1	114252-55800	NUT	1	1	1	1	1	1		
31	1	114650-55810	BOLT	1	1	1	1	1	1		
32	1	22117-060000	WASHER, 6	1	1	1	1	1	1		
33	1	22117-080000	WASHER, 8	1	1	1	1	1	1		
34	1	26106-080452	BOLT, M8X 45 PLATED	1	1	1	1	1	1		
35	1	26366-060002	NUT, M6	1	1	1	1	1	1		
36	1	26476-060142	SCREW, TAPPING M6X14	2	2	2	2	2	2		
37	1	106990-44660	CLIP, HOSE 12.5	2	2	2	2	2	2		
38	1	114250-59050	PIPE, FUEL L=46	1					1	1	
39	1	114360-59060	PIPE, FUEL L=55			1	1				
40	1	124722-59050	CLIP, HOSE 9	2	2	2					
41	1	114250-59060	PIPE, FUEL RETURN	1	1	1					
42	1	114652-59300	PIPE, FUEL RETURN						1	1	
43	2	124722-59050	CLIP, HOSE 9						2	2	
44	2	114250-59060	PIPE, FUEL RETURN						1	1	
45	2	114652-59310	TUBE, PROTECT						1	1	
46	2	121750-59890	BAND, 140						1	1	
47	1	114250-59800	PIPE ASSY, INJECTION	1							
48	1	114350-59800	PIPE ASSY, INJECTION		1	1					
49	1	114650-59800	PIPE ASSY, INJECTION						1	1	
55	1	114650-59850	SUPPORT						1	1	

Fig.11. STARTING MOTOR & DYNAMO

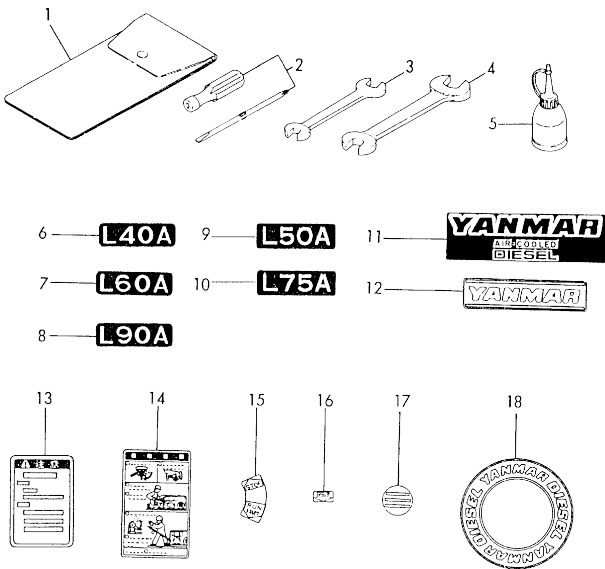


No.	Lev.	Parts No.	Description	Q'ty						I	R
				(A)	(B)	(C)	(D)	(E)	(F)		
1	1	114351-77010	STARTER, S114-413A	1	1	1	1	1	1		
2	2	X211461008	ARMATURE	1	1	1	1	1	1		
3	2	X21148110	WASHER SET, THRUST	1	1	1	1	1	1		
4	2	X21147155	STOPPER SET, PINION	1	1	1	1	1	1		
5	2	X211412105	COIL ASSY, FIELD	1	1	1	1	1	1		
6	3	X21145312	BRUSH, +	2	2	2	2	2	2		
7	3	X21143215	SCREW, CORE	4	4	4	4	4	4		
8	2	X211473002	COVER, REAR	1	1	1	1	1	1		
9	3	X21145352	METAL	1	1	1	1	1	1		
10	2	X211489001	HOLDER ASSY, BRUSH	1	1	1	1	1	1		
11	3	X21148313	BRUSH (-)	1	1	1	1	1	1		
12	3	X21149314	SPRING, BRUSH	3	3	3	3	3	3		
13	2	X211445504	PINION ASSY	1	1	1	1	1	1		
14	2	X211416603	HOUSING ASSY, GEAR	1	1	1	1	1	1		
15	3	X21145352	METAL	1	1	1	1	1	1		
16	2	X211478006	COVER KIT	1	1	1	1	1	1		
17	2	X211456013	LEVER KIT, SHIFT	1	1	1	1	1	1		
18	2	X211427501	SWITCH, MAGNETIC	1	1	1	1	1	1		
19	2	X211468005	BOLT, THROUGH	2	2	2	2	2	2		
20	2	X21145867	BOLT, M6	2	2	2	2	2	2		
21	2	X21142835	SCREW SET	1	1	1	1	1	1		
22	1	114385-77400	BRACKET	1	1	1	1	1	1		
23	1	114351-77540	HARNESS, WIRE	1	1	1	1	1	1		
24	2	29411-150000	FUSE, CARTRIDGE 15A	2	2	2	2	2	2		
25	1	114351-77620	BRACKET	1	1	1	1	1	1		
26	1	114351-77630	SPACER	2	2	2	2	2	2		
27	1	119660-77710	LIMITER, CURRENT 15A	1	1	1	1	1	1		
28	1	26023-040102	SCREW, M4X10	2	2	2	2	2	2		
29	1	26106-060122	BOLT, M6X 12 PLATED	2	2	2	2	2	2		
30	1	26106-060202	BOLT, M6X 20 PLATED	2	2	2	2	2	2		
31	1	26106-060702	BOLT, M6X 70 PLATED	2	2	2	2	2	2		
32	1	26106-060852	BOLT, M6X 85 PLATED							2	2
33	1	26106-100302	BOLT, M10X 30 PLATED	2	2	2	2	2	2	2	2
34	1	114351-78260	DYNAMO ASSY	1	1	1	1	1	1		1
35	2	114351-78770	STATOR ASSY, 132.1MM	1	1	1	1	1	1		1
36	2	114351-78780	WHEEL, DYNAMO	1	1	1	1	1	1		1
37	1	114351-78290	DYNAMO ASSY							1	1
38	2	114351-78830	STATOR ASSY, 132.1MM							1	1
39	2	114351-78840	WHEEL, DYNAMO							1	1
40	1	160710-78710	CLAMP, CORD	1	1	1	1	1	1		1
41	1	26476-060142	SCREW, TAPPING M6X14	1	1	1	1	1	1		1
42	1	26476-060202	SCREW, TAPPING M6X20	3	3	3	3	3	3		3
43	1	26577-060142	SCREW M 6X 14	3	3	3	3	3	3		3

Remarks
 (1) EXCLUSIVE FOR L50ASESMRC, L75A-SESMRC & L90ASESMRC.

OCD10-M41000

Fig.12. LABEL & TOOL



No.	Lev.	Parts No.	Description	Q'ty						I	R
				(A)	(B)	(C)	(D)	(E)	(F)		
1	1	114250-92600	BAG, TOOL	1	1	1	1	1	1		
2	1	160330-92730	DRIVE, SCREW	1	1	1	1	1	1		
3	1	28110-100120	SPANNER, 10X12	1	1	1	1	1	1		
4	1	28110-140170	SPANNER, 14X17	1	1	1	1	1	1		
5	1	28210-000150	OILER	1	1	1	1	1	1		
6	1	114270-07050	LABEL(L40A)	1							
7	1	114370-07050	LABEL(L60A)				1				
8	1	114670-07050	LABEL, (L90A)					1			
9	1	114470-07050	LABEL(L50A)			1			1		
10	1	114570-07050	LABEL, (L75A)					1			
11	1	114250-07090	LABEL, AIR COOLED	1	1	1	1	1	1		
12	1	114250-07110	LABEL, YANMAR	1	1	1	1	1	1		
13	1	114250-07240	LABEL, CAUTION	1	1	1	1	1	1		
14	1	114250-07250	LABEL, HOW TO START	1	1	1	1	1	1		
15	1	114250-07260	LABEL, OPERATION	1	1	1	1	1	1		
16	1	114250-07270	LABEL, DECOMP.	1	1	1	1	1	1		
17	1	114250-07300	LABEL	1	1	1	1	1	1		
18	1	114250-07350	LABEL, YANMAR DIESEL	1	1	1	1	1	1		

N:Old $\frac{100}{100}$ New, Q:Old $\frac{100}{100}$ New, R:Old $\frac{100}{100}$ New, S:Old $\frac{100}{100}$ New, W:Add, Z:Discontinued, F:Interchangeable by set, K:Q'ty Change
 Copyright (C) YANMAR CO., LTD. All Rights Reserved.

Parts No. Index

Parts No.	Fig. No.	Ref. No.
101158-11180	2	24
102100-67080	7	46
		76
103338-32570	7	9
103854-01221	5	36
104200-23201	6	56
104211-11370	2	61
		87
105010-11490	2	60
		85
105025-01220	1	27
105225-01240	1	30
105225-66990	7	75
105425-01690	1	67
105546-51020	9	20
105546-51330	9	24
106990-44660	10	37
114250-01200	1	21
114250-01210	1	24
114250-01220	1	28
114250-01250	1	33
114250-01340	1	36
114250-01380	1	41
114250-01412	1	55
114250-01452	1	58
114250-01800	1	44
114250-01830	1	49
114250-01840	1	50
114250-02030	1	75
114250-02100	1	88
114250-02113	1	76
114250-02200	1	91
114250-02210	1	94
114250-03591	2	75
114250-03640	2	78
114250-07090	12	11
114250-07110	12	12
114250-07240	12	13
114250-07250	12	14
114250-07260	12	15
114250-07270	12	16
114250-07300	12	17
114250-07350	12	18
114250-11020	2	6
114250-11101	2	15
114250-11113	2	18
114250-11120	2	21
114250-11180	2	25
114250-11240	2	48
		57

Parts No.	Fig. No.	Ref. No.
114250-11290	2	34
114250-11310	2	68
114250-11340	2	37
114250-11460	2	40
114250-11600	2	42
114250-11651	2	44
114250-11900	2	62
114250-11951	2	70
114250-12010	3	1
114250-12200	3	4
114250-12210	3	6
114250-12520	3	20
114250-12530	3	21
114250-12550	3	24
114250-12560	3	22
114250-12580	3	23
114250-13200	4	1
114250-14200	5	12
114250-14260	5	14
114250-14450	5	16
114250-21550	5	40
114250-22302	6	41
114250-23200	6	55
114250-23220	6	57
114250-23250	6	58
114250-32010	7	1
114250-32070	7	8
114250-35060	7	12
114250-35250	7	13
114250-35270	7	14
114250-45211	8	6
114250-45300	8	7
114250-45301	13	7
114250-45310	8	8
	13	8
114250-45330	8	10
	13	10
114250-51080	9	21
114250-51150	9	22
114250-51160	9	23
114250-51180	9	13
114250-51190	9	14
114250-51200	9	4
114250-51300	9	15
114250-51340	9	25
114250-51600	9	27
114250-51640	9	28
114250-51650	9	29
114250-53001	9	35
114250-53080	9	43

Parts No.	Fig. No.	Ref. No.
114250-53120	9	44
114250-53130	9	45
114250-53140	9	46
114250-53210	9	47
114250-53300	9	48
114250-53331	9	53
114250-53400	9	54
114250-55041	10	7
114250-55050	10	8
114250-55060	10	9
114250-55100	10	12
114250-55120	10	20
114250-55130	10	23
114250-55150	10	13
114250-55201	10	16
114250-55211	10	24
114250-55231	10	25
114250-55300	10	28
114250-59050	10	38
114250-59060	10	41
		44
114250-59800	10	47
114250-66050	7	41
114250-66200	7	56
114250-66440	7	45
		72
114250-66550	7	58
114250-76050	8	18
114250-76051	8	18 -1
	13	18
114250-76250	8	19
114250-76251	8	19 -1
	13	19
114250-76510	13	20
114250-76590	8	33
	13	33
114250-76600	8	65
	13	62
114250-76610	8	66
	13	63
114250-92600	12	1
114252-12550	3	17
114252-12560	3	13
114252-55800	10	30
114252-66252	7	57
114260-13501	4	3
114260-13510	4	4
114260-13701	4	5
		9
114268-66200	7	71

Parts No.	Fig. No.	Ref. No.
114268-66500	7	43
114270-07050	12	6
114299-45210	13	6
114350-01200	1	22
114350-01210	1	25
114350-01220	1	29
114350-01250	1	34
114350-01340	1	37
114350-01380	1	42
114350-01412	1	56
114350-01452	1	60
114350-01700	1	19
114350-02100	1	89
114350-02113	1	77
114350-02200	1	92
114350-02210	1	95
114350-11101	2	16
114350-11113	2	19
114350-11120	2	22
114350-11340	2	38
114350-11470	2	41
114350-12011	3	2
114350-12201	3	5
114350-14450	5	17
114350-22301	6	42
114350-45320	8	9
	13	9
114350-45340	8	12
	13	12
114350-51200	9	5
114350-55120	10	21
114350-55150	10	14
114350-55231	10	26
114350-59800	10	48
114350-76590	8	64
114350-76591	13	61
114351-77010	11	1
114351-77540	11	23
114351-77620	11	25
114351-77630	11	26
114351-78260	11	34
114351-78290	11	37
114351-78770	11	35
114351-78780	11	36
114351-78830	11	38
114351-78840	11	39
114360-13501	4	7
114360-13510	4	8
114360-59060	10	39
114370-07050	12	7

Parts No. Index

Parts No.	Fig. No.	Ref. No.
114385-77400	11	22
114450-01340	1	39
114450-11021	2	11
114470-07050	12	9
114550-01340	1	40
114550-11010	2	2
114570-07050	12	10
114650-01230	1	23
114650-01240	1	26
114650-01250	1	35
114650-01260	1	32
114650-01340	1	38
114650-01380	1	43
114650-01411	1	57
114650-01452	1	62
114650-02100	1	90
114650-02150	1	78
114650-02200	1	93
114650-02210	1	96
114650-11010	2	1
114650-11100	2	17
114650-11121	2	23
114650-11261	2	33
114650-11310	2	69
114650-11340	2	39
114650-11600	2	43
114650-11652	2	45
114650-11951	2	71
114650-12020	3	3
114650-12210	3	7
114650-12300	3	8
114650-12520	3	11
114650-12530	3	12
114650-12540	3	15
114650-12550	3	16
114650-12590	3	14
114650-13200	4	2
114650-14200	5	13
114650-14401	5	15
114650-21551	5	41
114650-22300	6	43
114650-32010	7	2
114650-45200	8	4
114650-45201	13	4
114650-45330	8	11
	13	11
114650-51100	9	6
114650-51300	9	16
114650-53000	9	37
114650-53300	9	49

Parts No.	Fig. No.	Ref. No.
114650-55120	10	22
114650-55150	10	15
114650-55230	10	27
114650-55810	10	31
114650-59800	10	49
114650-59850	10	55
114650-66150	7	70
114650-66500	7	59
114650-76050	8	34
114650-76051	8	34 -1
114650-76052	13	34
114650-76250	8	35
114650-76251	13	35
114650-76520	8	36
	13	36
114650-76531	13	37
114650-76540	8	39
114650-76630	8	46
114650-76631	13	46
114651-21592	5	42
114652-59300	10	42
114652-59310	10	45
114652-66871	7	73
114652-66881	7	74
114654-11110	2	20
114654-66140	7	69
114658-45102	8	1
	13	1
114660-76590	8	50
114660-76592	13	47
114670-07050	12	8
114674-13520	4	12
114674-13560	4	11
114674-13710	4	14
114770-21400	5	38
114770-45100	8	2
	13	2
114770-61600	7	38
114770-61610	7	39
114770-66010	7	53
114771-21590	5	45
114870-11020	2	10
114870-21400	5	39
114870-45100	8	3
	13	3
114870-45200	8	5
114870-45201	13	5
114870-53000	9	36
114870-66010	7	54
114870-76050	8	51

Parts No.	Fig. No.	Ref. No.
114870-76051	13	48
114870-76250	8	52
114870-76251	13	49
114870-76511	13	50
114870-76530	13	38
		52
114870-76540	13	39
		53
114870-76550	13	40
		54
114870-76560	13	41
		55
114870-76570	13	42
		56
114870-76580	13	43
		57
114870-76620	13	45
		59
114870-76630	13	60
114871-21590	5	48
114880-76520	13	51
114970-13710	4	15
114970-66010	7	55
119260-11370	2	59
		86
119620-11180	2	26
119660-77710	11	27
121450-61520	7	37
121750-59890	10	46
122710-01220	5	37
124060-23100	6	66
124550-51350	9	26
124722-59050	10	17
		40
		43
124950-01250	1	31
129792-22400	6	46
135210-61090	7	67
145610-83880	5	54
160110-02220	1	79
160120-76940	8	14
	13	14
160210-02220	1	81
160260-01580	4	16
160260-76520	8	21
	13	21
160260-76530	8	22
	13	22
160260-76540	8	23
	13	23

Parts No.	Fig. No.	Ref. No.
160260-76550	8	24
	13	24
160260-76560	8	25
	13	25
160260-76570	8	26
	13	26
160260-76580	8	27
	13	27
160260-76590	8	28
	13	28
160260-76600	8	29
	13	29
160260-76620	8	31
160260-76630	8	32
		32 -1
	13	32
160310-14550	5	53
160330-92730	12	2
160490-76600	8	31
	13	31
160710-01760	1	71
160710-78710	11	40
160725-78350	7	48
160810-76520	8	54
160810-76530	8	55
160810-76540	8	56
160810-76560	8	57
160810-76580	8	58
160810-76620	8	60
160810-76630	8	61
160910-01740	1	68
160910-76530	8	38
160910-76550	8	40
160910-76560	8	41
160910-76570	8	42
160910-76580	8	43
160910-76620	8	45
160910-76650	8	47
181130-76680	8	62
181130-76700	8	63
183382-13700	4	13
183720-55210	8	13
	13	13
22117-060000	10	32
22117-080000	10	33
22137-080000	7	40
22217-060000	8	48
22252-000190	6	44
22252-000210	6	45
22312-030080	6	59

Parts No. Index

Parts No.	Fig. No.	Ref. No.
22312-030160	2	79
	7	10
22312-080120	1	51
22351-020006	9	30
22351-030008	9	31
22351-040008	2	63
22451-060000	7	68
22512-040120	5	51
22512-050140	5	52
22512-050300	5	55
22512-070360	5	56
23414-120000	10	18
23871-010000	1	87
23887-120002	10	19
24101-062024	5	69
24101-062034	5	70
24101-062050	1	82
24101-062060	1	83
24101-062070	1	84
24162-152112	1	85
24311-000180	1	70
		73
24341-000150	10	29
24341-000224	7	15
24423-355008	1	80
26023-040102	11	28
26106-060082	4	6
		10
	8	68
	13	64
26106-060122	4	17
	7	16
		77
	8	67
	11	29
	13	65
26106-060202	7	49
	11	30
26106-060252	1	65
	3	25
26106-060302	7	78
26106-060552	2	83
26106-060702	2	84
	11	31
26106-060852	11	32
26106-080122	1	86
26106-080162	4	18
26106-080202	5	57
26106-080352	1	66
26106-080452	2	64

Parts No.	Fig. No.	Ref. No.
26106-080452	10	34
26106-100122	1	20
26106-100252	5	58
26106-100302	11	33
26106-100552	2	65
26117-040088	7	50
26216-080182	4	20
26226-060142	3	26
26226-060182	1	52
26226-060222	1	53
26226-060552	3	28
26226-060652	2	66
26226-060752	3	29
26226-080202	4	21
26347-060002	7	51
26366-060002	1	54
	2	67
	3	27
	10	35
26366-080002	4	19
26476-060142	7	11
		52
	8	15
	10	36
	11	41
26476-060202	7	79
	8	16
	11	42
26476-060252	8	17
	13	17
26577-060142	11	43
26696-100002	7	66
26717-060002	8	49
26756-060002	2	49
		58
26757-060002	7	47
		80
27310-060001	2	28
27310-070001	2	27
28110-100120	12	3
28110-140170	12	4
28210-000150	12	5
29411-150000	11	24
43400-500490	1	74
714250-11570	2	29
714250-12560	3	18
714250-22502	6	11
714250-22542	6	89
714250-22550	6	119
714250-23600	6	60

Parts No.	Fig. No.	Ref. No.
714250-23610	6	67
714250-23620	6	73
714250-23703	6	47
714250-51710	9	1
714250-53101	9	32
714250-55701	10	1
714250-61500	7	17
714270-11660	2	50
714270-22580	6	109
714270-22620	6	79
714270-22720	6	1
714271-01560	1	1
714278-21710	5	21
714350-22502	6	13
714350-22542	6	91
714350-22550	6	121
714350-23600	6	61
714350-23610	6	68
714350-23620	6	74
714350-23702	6	48
714350-23704	6	48 -1
714350-51701	9	2
714350-55701	10	2
714350-61500	7	18
714370-11660	2	51
714370-22580	6	111
714370-22620	6	81
714370-22720	6	3
714371-01560	1	3
714378-21710	5	22
714450-22501	6	12
714450-22541	6	90
714450-22550	6	120
714470-22580	6	110
714470-22620	6	80
714470-22720	6	2
714471-01560	1	2
714550-22502	6	14
714550-22542	6	92
714550-22550	6	122
714550-22580	6	112
714550-22623	6	82
714550-22723	6	4
714571-01560	1	4
714650-12560	3	9
714650-22502	6	15
714650-22542	6	93
714650-22550	6	123
714650-22580	6	113
714650-22623	6	83

Parts No.	Fig. No.	Ref. No.
714650-22723	6	5
714650-23600	6	62
714650-23610	6	69
714650-23620	6	75
714650-23700	6	49
714650-51700	9	3
714650-53100	9	34
714650-55701	10	3
714650-61500	7	19
714670-11660	2	52
714671-01560	1	5
714679-14580	5	3
714679-21710	5	23
714770-14580	5	1
714770-14582	5	1 -1
714770-28510	5	59
714770-28511	5	59 -1
714770-28512	5	59 -2
714770-61700	7	30
714870-14580	5	2
714870-28510	5	60
714870-53100	9	33
714970-28510	5	61
714970-61700	7	31
X211412105	11	5
X211416603	11	14
X211427501	11	18
X21142835	11	21
X21143215	11	7
X211445504	11	13
X21145312	11	6
X21145352	11	9
		15
X211456013	11	17
X21145867	11	20
X211461008	11	2
X211468005	11	19
X21147155	11	4
X211473002	11	8
X211478006	11	16
X21148110	11	3
X21148313	11	11
X211489001	11	10
X21149314	11	12