

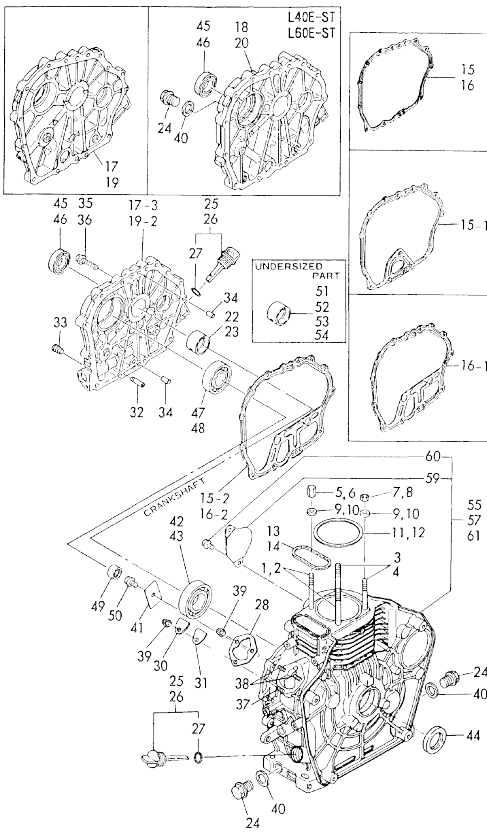
OCR10-M24202EN

Contents

Fig. No.	Fig. Name	Fig. No.	Fig. Name
L40E-90E-DT/ST			
1.	CYLINDER BLOCK		
2.	CYLINDER HEAD & BONNET		
3.	AIR CLEANER & SILENCER		
4.	CAM/CRANK/BARANCER SHAFT		
5.	PISTON & ROD		
6.	L.O. DEVICE & GOVERNOR CONTROL		
7.	COOLING & RECOIL STARTER		
8.	FUEL INJECTION PUMP & VALVE		
9.	FUEL TANK & FUEL PIPE		
10.	STARTING MOTOR & DYNAMO		
11.	TOOLS / LABELS & GASKET SET		

Fig.1. CYLINDER BLOCK

Fig. 1 CYLINDER BLOCK

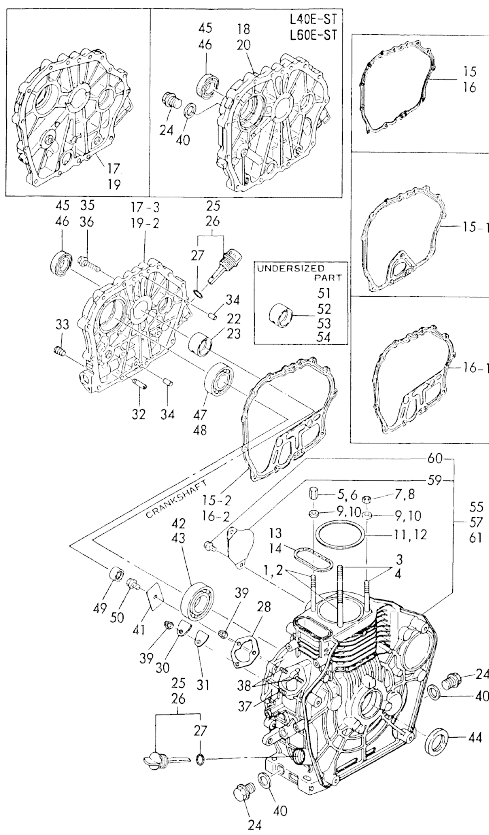


No.	Lev.	Parts No.	Description	Q'ty						I	R
				(A)	(B)	(C)	(D)	(E)	(F)		
1	1	114250-01200	BOLT, HEAD		2	2					
2	1	114350-01200	BOLT, HEAD				2	2			
3	1	114250-01210	BOLT, HEAD		2	2					
4	1	114350-01210	BOLT, HEAD					2	2		
5	1	114250-01220	NUT, CYLINDER HEAD		2	2					
6	1	114350-01220	NUT, CYLINDER HEAD					2	2		
7	1	114250-01250	NUT, CAP		2	2					
8	1	114350-01250	NUT, CYLINDER HEAD					2	2		
9	1	124950-01250	WASHER		4	4					
10	1	105225-01240	WASHER					4	4		
11	1	114250-01340	GASKET, HEAD		1	1					
12	1	114350-01340	GASKET, HEAD					1	1		
13	1	114250-01380	O-RING		1	1					
14	1	114350-01380	O-RING					1	1		
15	1	114250-01410	GASKET, CRANK CASE		1	1					
15-1	1	114250-01411	GASKET, CRANK CASE (A=E19828) (B=E20270)		1	1					N
15-2	1	114250-01412	GASKET, CRANK CASE (A=E62372)								S
16	1	114350-01410	GASKET, CRANK CASE					1	1		
16-1	1	114350-01411	GASKET, CRANK CASE (D=E24314) (E=E25253)					1	1		N
16-2	1	114350-01412	GASKET, CRANK CASE (D=E59291)						1		S
17	1	114260-01450	COVER, CRANK CASE		1						
17-1	1	114260-01451	COVER, CRANK CASE (A=E19828)		1						S
17-2	1	114260-01452	COVER, CRANK CASE (A=E50384)		1						N
17-3	1	114260-01453	COVER, CRANK CASE (A=E62372)		1						S
18	1	114250-01450	COVER, CRANK CASE			1					S
18-1	1	114250-01451	COVER, CRANK CASE (B=E20270)			1					N
18-2	1	114250-01452	COVER, CRANK CASE (B=E50384)			1					N
19	1	114368-01450	COVER, CRANK CASE						1		
19-1	1	114368-01451	COVER, CRANK CASE (D=E24314)						1		S
19-2	1	114368-01452	COVER, CRANK CASE (D=E59291)						1		N
20	1	114350-01450	COVER, CRANK CASE							1	
20-1	1	114350-01451	COVER, CRANK CASE (E=E25253)							1	S
20-2	1	114350-01452	COVER, CRANK CASE (E=E53594)							1	N
22	1	114250-02100	BEARING, MAIN		1	1					
23	1	114350-02100	BEARING, MAIN						1	1	
24	1	105425-01690	PLUG, 16		2	3			2	3	
25	1	114250-01740	CAP ASSY, L72		2	2					
25-1	1	160710-01760	CAP ASSY, L82		2	2					S

Remarks
(P) UNDERSIZED PART
(Y) FOR L60E-DET(M)(1) &
L60E-SET(M)(1)

Fig.1. CYLINDER BLOCK

Fig. 1 CYLINDER BLOCK

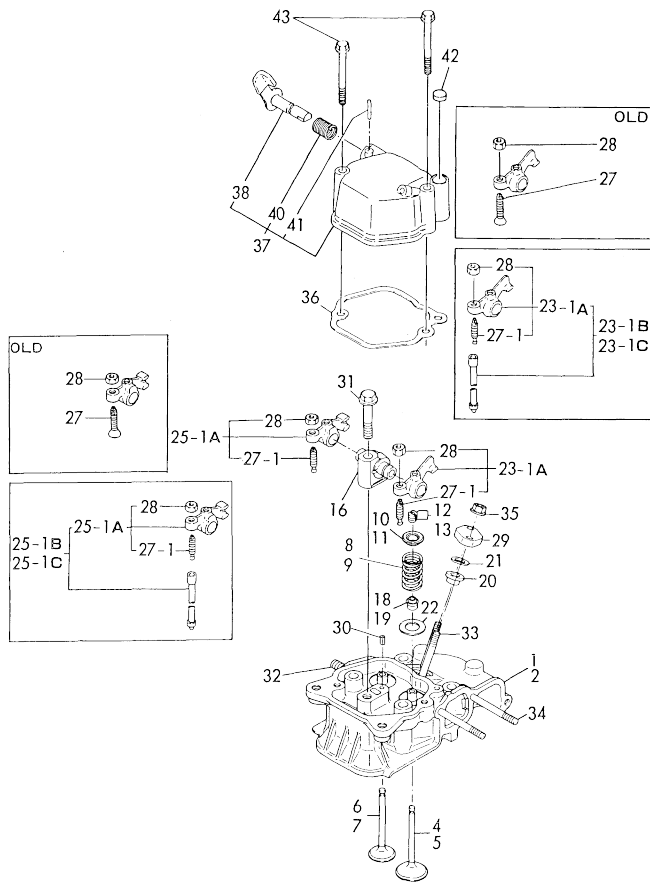


No.	Lev.	Parts No.	Description	Q'ty						I	R
				(A)	(B)	(C)	(D)	(E)	(F)		
(A=E19828) (B=E20270)											
26	1	160710-01740	CAP ASSY, L87				2	2			
26-1	1	160910-01740	CAP ASSY				2	2			S
(D=E24314) (E=E25253)											
27	2	24311-000180	O-RING, 1AP18.0	2	2		2	2			
28	1	114250-01800	SHIM SET	1	1		1	1			
30	1	114250-01830	COVER	1	1		1	1			
31	1	114250-01840	GASKET	1	1		1	1			
32	1	114250-35150	PIPE, OIL INLET	1			1				W
(A=E62372) (D=E59291)											
33	1	23871-010000	PLUG, R01	1			1				
34	1	22312-080120	PIN, PARALLEL M8X12	2	2		2	2			
35	1	26106-060252	BOLT, M6X 25 PLATED	14	14						
36	1	26106-080352	BOLT, M8X 35 PLATED	1	1		15	15			
37	1	26226-060182	STUD, M6X 18	1	1		1	1			
38	1	26226-060222	STUD, M6X 22	2	2		2	2			
39	1	26366-060002	NUT, M6	3	3		3	3			
40	1	43400-500490	SEAL WASHER 16	4	3		4	3			
41	1	114250-02030	RETAINER, BEARING	1	1		1	1			
42	1	114250-02112	BEARING, HR6206G3C3	1	1		1	1			
42-1	1	114250-02113	BEARING, HR6306G3C3	1	1						S
(A=50001) (B=50001)											
43	1	114350-02112	BEARING, HR6207G3C3				1	1			
43-1	1	114350-02113	BEARING, B35-135G3C3				1	1			S
(D=E50001) (E=E50001)											
44	1	160110-02220	SEAL, OIL	1	1		1	1			
45	1	160210-02220	SEAL, 25X41.2X8	1	1						
46	1	160110-02220	SEAL, OIL				1	1			
47	1	24101-062050	BEARING, BALL 6205C3	1	1						
48	1	24101-062060	BEARING, BALL 6206C3				1	1			
49	1	24162-152112	BEARING, 152112	1	1		1	1			
50	1	26106-080122	BOLT, M8X 12 PLATED	1	1		1	1			
51	1	114250-02200	BEARING, 0.25 US	1	1						P
52	1	114350-02200	BEARING, 0.25 US				1	1			P
53	1	114250-02210	BEARING, 0.50 US	1	1						P
54	1	114350-02210	BEARING, 0.50 US				1	1			P
55-2	1	114250-99100	BLOCK ASSY, CYLINDER	1	1						
(A=00001) (B=00001)											
55-4	1	714251-01563	BLOCK ASSY, CYLINDER	1	1						S
(A=E50384) (B=E50384)											
57-2	1	114350-99100	BLOCK ASSY, CYLINDER				1	1			
(D=00001) (E=00001)											
57-4	1	714351-01564	BLOCK ASSY, CYLINDER				1	1			S
(D=E53594) (E=E53594)											
59	2	114350-01700	COVER	1	1		1	1			
60	2	26106-100122	BOLT, M10X 12 PLATED	2	2		2	2			
61	1	114350-99120	BLOCK ASSY, CYLINDER				1	1			Y

Remarks
 (P) UNDERSIZED PART
 (Y) FOR L60E-DET(M)(1) &
 L60E-SET(M)(1)

Fig.2. CYLINDER HEAD & BONNET

Fig.2 CYLINDER HEAD & BONNET

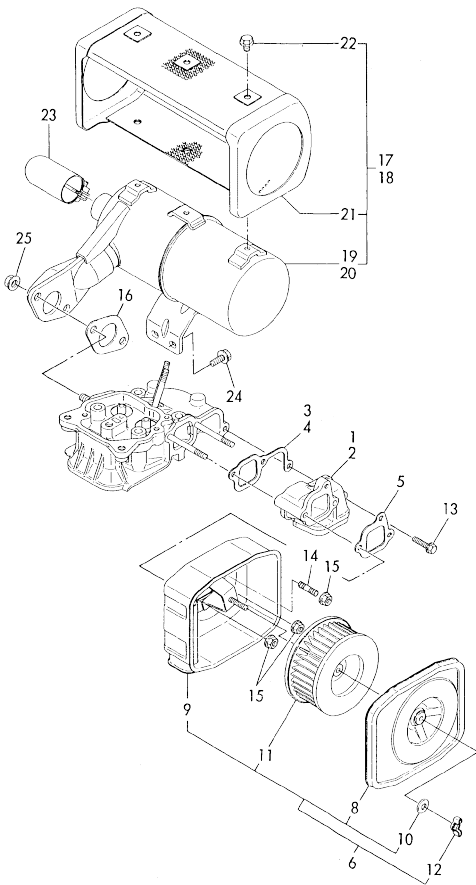


No.	Lev.	Parts No.	Description	Q'ty						I	R
				(A)	(B)	(C)	(D)	(E)	(F)		
1	1	114250-11020	HEAD ASSY, CYLINDER								
2	1	114350-11020	HEAD ASSY, CYLINDER	1	1						
2-1	1	114350-11021	HEAD ASSY, CYLINDER				1	1			N
4	1	114250-11101	VALVE, INTAKE		1	1					
5	1	114350-11101	VALVE, INTAKE					1	1		
6	1	114250-11112	VALVE, EXHAUST		1	1					
7	1	114350-11112	VALVE, EXHAUST					1	1		
8	1	114250-11120	SPRING, VALVE		2	2					
9	1	114350-11120	SPRING, VALVE					2	2		
10	1	114250-11180	RETAINER, SPRING		2	2					
11	1	101158-11180	RETAINER, SPRING					2	2		
12	1	714250-11570	COTTER ASSY		2	2					
13	1	27310-060001	COTTER, 6						2	2	
16	1	114250-11290	SUPPORT, ROCKER ARM		1	1				1	1
18	1	114250-11340	SEAL, VALVE STEM		2	2					
19	1	114350-11340	SEAL, VALVE STEM						2	2	
20	1	114250-11460	GASKET, NOZZLE		1	1			1	1	
21	1	114350-11470	SPACER, NOZZLE		1	1			1	1	
22	1	114250-11600	WASHER		2	2			2	2	
23-1A	1	114250-11651	ARM, ROCKER		1	1			1	1	
23-1B	(A=21043) (A=00001)	(B=20481) (B=00001)	ARM, ROCKER	(D=24314)	(E=25253)						
23-1C	1	114350-11780	ARM, ROCKER		1	1				1	1
25-1A	1	114250-11661	ARM, ROCKER	(D=00001)	(E=00001)					1	1
25-1B	(A=21043) (A=00001)	(B=20481) (B=00001)	ARM, ROCKER	(D=24314)	(E=25253)						
25-1C	1	114350-11790	ARM, ROCKER							1	1
27	2	105025-11230	SCREW, VALVE ADJUST	(D=00001)	(E=00001)					2	2
27-1	2	114250-11240	SCREW, VALVE ADJUST	(D=E24314)	(E=E25253)					2	2
28	2	26756-060002	NUT, LOCK M6		2	2				2	2
29	1	114250-11900	RETAINER, NOZZLE		1	1				1	1
30	1	22351-040008	PIN, SPRING 4.0X 8		1	1				1	1
31	1	26106-080452	BOLT, M8X 45 PLATED		1	1				1	1
32	1	26216-080182	STUD, M8X 18		2	2				2	2
33	1	26226-060502	STUD, M6X 50		2	2				2	2
34	1	26226-060552	STUD, M6X 55		2	2				2	2
35	1	26366-060002	NUT, M6		2	2				2	2
36	1	114250-11310	GASKET, BONNET		1	1				1	1
37	1	114250-11951	BONNET ASSY, HEAD		1	1				1	1
38	2	114250-03591	LEVER ASSY		1	1				1	1
40	2	114250-03640	SPRING, DECOMPRESSION		1	1				1	1
41	2	22312-030160	PIN, PARALLEL M3X16		1	1				1	1
42	1	129100-61850	PLUG, 12		1	1				1	1
43	1	26106-060552	BOLT, M6X 55 PLATED		2	2				2	2

N:Old $\frac{New}{Old}$ New, Q:Old $\frac{New}{Old}$ New, R:Old $\frac{New}{Old}$ New, S:Old $\frac{New}{Old}$ New, W:Add, Z:Discontinued, F:Interchangeable by set, K:Q'ty Change
Copyright (C) YANMAR CO., LTD. All Rights Reserved.

Fig.3. AIR CLEANER & SILENCER

Fig.3 AIR CLEANER & SILENCER

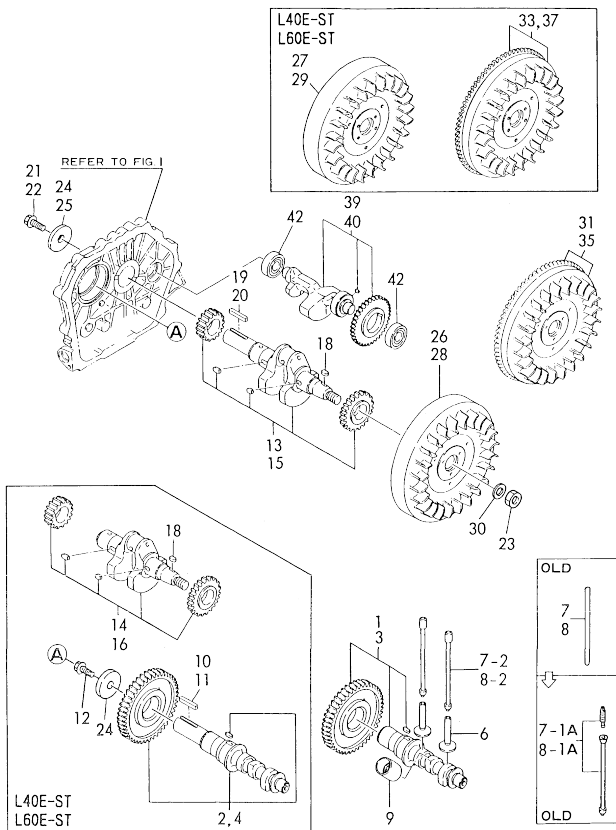


No.	Lev.	Parts No.	Description	Q'ty						I	R
				(A)	(B)	(C)	(D)	(E)	(F)		
1	1	114250-12010	PIPE, AIR INTAKE								
2	1	114350-12010	PIPE, AIR INTAKE					1	1		
2-1	1	114350-12011	PIPE, AIR INTAKE					1	1		N
			(D=E53594)					(E=E53594)			
3	1	114250-12200	GASKET	1	1						
4	1	114350-12200	GASKET					1	1		
4-1	1	114350-12201	GASKET					1	1		N
			(D=E53594)					(E=E53594)			
5	1	114250-12210	GASKET, AIR CLEANER	1	1			1	1		
6	1	714250-12560	CLEANER ASSY, AIR	1	1			1	1		
8	3	114250-12520	COVER, AIR CLEANER	1	1			1	1		
9	3	114250-12530	CASE ASSY, CLEANER	1	1			1	1		
10	3	114250-12560	WASHER, SEAL M6	1	1			1	1		
11	3	114250-12580	ELEMENT	1	1			1	1		
12	2	114250-12550	NUT, WING M6	1	1			1	1		
13	1	26106-060252	BOLT, M6X 25 PLATED	1	1			2	2		
14	1	26226-060142	STUD, M6X 14	1	1			1	1		
15	1	26366-060002	NUT, M6	3	3			3	3		
16	1	114250-13200	GASKET, MUFFLER	1	1			1	1		
17	1	114268-13500	MUFFLER ASSY	1	1						
18	1	114368-13500	MUFFLER ASSY					1	1		
19	2	114268-13510	MUFFLER	1	1						
20	2	114368-13510	MUFFLER							1	1
21	2	114268-13700	COVER, SILENCER	1	1			1	1		
22	2	26106-060082	BOLT, M6X 8 PLATED	6	6			6	6		
23	1	114268-13800	PIPE	1	1			1	1		
24	1	26106-060122	BOLT, M6X 12 PLATED	2	2			2	2		
25	1	26366-080002	NUT, M8	2	2			2	2		

N:Old $\frac{New}{Old}$ New, Q:Old $\frac{New}{Old}$ New, R:Old $\frac{New}{Old}$ New, S:Old $\frac{New}{Old}$ New, W:Add, Z:Discontinued, F:Interchangeable by set, K:Q'ty Change
 Copyright (C) YANMAR CO., LTD. All Rights Reserved.

Fig.4. CAM/CRANK/BARANCER SHAFT

Fig.4 CRANKSHAFT & CAMSHAFT



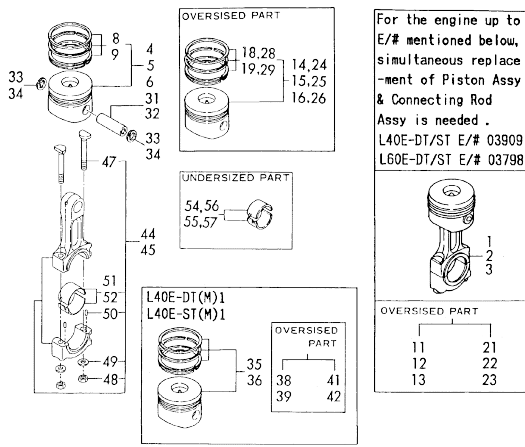
Remarks
(Y) FOR STARTING MOTOR TYPE

No.	Lev.	Parts No.	Description	Q'ty						I	R
				(A)	(B)	(C)	(D)	(E)	(F)		
1	1	714260-14581	CAMSHAFT ASSY								
2	1	714250-14581	CAMSHAFT ASSY		1						
3	1	714360-14580	CAMSHAFT ASSY						1		
4	1	714350-14580	CAMSHAFT ASSY							1	
6	1	114250-14200	TAPPET	2	2		2	2			
7	1	114250-14400	ROD, PUSH	2	2						
7-1A	1	114250-14900	ROD, PUSH	2	2						N
7-2	1	114250-14450	ROD ASSY, PUSH	2	2						S
8	1	114350-14400	ROD, PUSH					2	2		
8-1A	1	114350-14900	ROD, PUSH					2	2		N
8-2	1	114350-14450	ROD ASSY, PUSH					2	2		S
9	1	114250-14260	TAPPET	1	1		1	1			
10	1	22512-050300	KEY, 5X 30		1						
11	1	22512-070360	KEY, 7X 36						1		
12	1	26106-080202	BOLT, M8X 20 PLATED			1			1		
13	1	714268-21700	CRANKSHAFT ASSY	1							
14	1	714250-21701	CRANKSHAFT ASSY		1						
15	1	714368-21700	CRANKSHAFT ASSY							1	
16	1	714350-21701	CRANKSHAFT ASSY								1
18	1	22512-040120	KEY, 4X 12	1	1		1	1			
19	1	160642-21150	KEY, 4.7X30	1							
20	1	160842-21150	KEY, 6.3X50					1			
21	1	160642-21250	BOLT, 5/15-24UNF	1							
22	1	160842-21250	BOLT, 7/16-20UNF						1		
23	1	103854-01221	NUT, CYLINDER HEAD	1	1			1	1		
24	1	160310-14550	WASHER	1	1				1		
25	1	160842-21260	WASHER						1		
26	1	114260-21400	FLYWHEEL	1							
26-1	1	114260-21401	FLYWHEEL	1							N
27	1	114250-21400	FLYWHEEL		1						
27-1	1	114250-21401	FLYWHEEL		1						N
28	1	114360-21400	FLYWHEEL							1	
29	1	114350-21400	FLYWHEEL							1	
30	1	114250-21550	WASHER	1	1		1	1			
31	1	114262-21590	FLYWHEEL ASSY	1							Y
31-1	1	114262-21591	FLYWHEEL ASSY	1							N Y
33	1	114251-21590	FLYWHEEL ASSY		1						Y
33-1	1	114251-21591	FLYWHEEL ASSY		1						N Y
35	1	114362-21590	FLYWHEEL ASSY							1	Y
37	1	114351-21590	FLYWHEEL ASSY						1		Y
39	1	714250-28511	SHAFT ASSY, BALANCER	1	1						
40	1	714350-28511	SHAFT ASSY, BALANCER							1	1
42	1	24101-062024	BEARING, BALL 6202	2	2				2	2	

N:Old $\frac{100}{100}$ New, Q:Old $\frac{100}{100}$ New, R:Old $\frac{100}{100}$ New, S:Old $\frac{100}{100}$ New, W:Add, Z:Discontinued, F:Interchangeable by set, K:Q'ty Change
Copyright (C) YANMAR CO., LTD. All Rights Reserved.

Fig.5. PISTON & ROD

Fig.5 PISTON & CONNECTING ROD



Part change notice and the effective engine number list.

MODEL	SIZE	ENG. /#	PISTON & ROD ASSY.	PISTON W/RINGS	ROD ASSY	PIN, PISTON	CIRCLIP
L40E-DT/ST	φ17	01236 ~03909	1, 1-1, 11, 11-1 21, 21-1	Order by a set of Piston & Rod Assy	31	33	
		03913 ~63641	↑	4-2, 4-3, 14-1 14-2, 24, 24-1	44-2	31-1	33-1
		63768 ~	↑	35, 36, 38, 39 41, 42	↑	↑	↑
L40E-DT/ST	φ19	01021 ~03798	2, 3, 12, 13, 22 23	Order by a set of Piston & Rod Assy	32	34	
L60E-DT/ST	φ21	03808 ~29261	↑	Order by a set of Piston & Rod Assy	32-1	34-1	
		50133 ~	↑	5-4, 6-4, 15 16-1, 25, 26	45-4	↑	↑

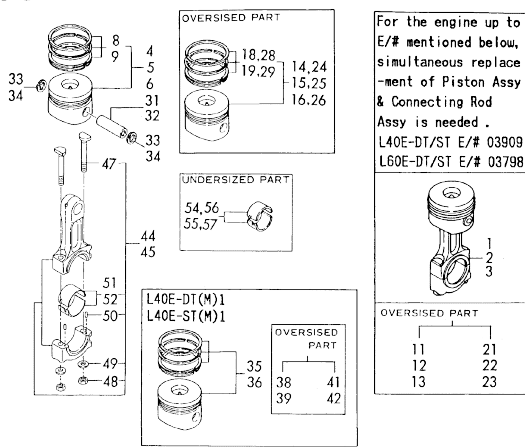
Remarks
(M) FOR L40E-DTM1
(Y) FOR L40E-STM1
(#) OVERSIZED PART

No.	Lev.	Parts No.	Description	Q'ty						I	R
				(A)	(B)	(C)	(D)	(E)	(F)		
1	1	714250-23781	ROD SET, W/PISTON	1							
1-1	1	714260-23780 (A=53488)	ROD SET, W/PISTON	1	1						S
2	1	714360-23781	ROD SET, W/PISTON				1				
3	1	714350-23781	ROD SET, W/PISTON					1			
4-2	1	714250-22724	PISTON ASSY, 19-63	1	1						
4-3	1	714260-22720 (A=03913) (B=03917) (A=E53488) (B=E50384)	PISTON ASSY, D	1							S
5-4	1	714360-22724	PISTON ASSY, 21-70-25				1				
6-4	1	714350-22725	PISTON ASSY, 21-70-25					1			N
8	2	714250-22501	RING SET, PISTON	1	1						
8-1	2	714250-22502	RING SET, PISTON	1	1						N
9	2	714350-22501 (A=X) (B=X)	RING SET, PISTON					1	1		
9-1	2	714350-22502	RING SET, PISTON					1	1		N
11	1	714250-23790	ROD SET, W/PISTON .25								#
11-1	1	714260-23790	ROD SET, W/PISTON .25	1	1						S #
12	1	714360-23790 (A=E53488)	ROD SET, W/PISTON .25					1			#
13	1	714350-23790	ROD SET, W/PISTON .25						1		#
14-1	1	714250-22624 (A=03913) (B=03917)	PISTON ASSY, 0.25 OS	1	1						#
14-2	1	714260-22620 (A=E53488)	PISTON ASSY, 0.25 OS	1							S #
15	1	714360-22625	PISTON ASSY, 0.25 OS					1			#
16-1	1	714350-22625	PISTON ASSY, 0.25 OS						1		#
18	2	714250-22542	RING SET, 0.25 OS						1	1	#
19	2	714350-22542	RING SET, 0.25 OS							1	#
21	1	714250-23800	ROD SET, W/PISTON .50	1	1						#
21-1	1	714260-23800 (A=E53488)	ROD SET, W/PISTON .50	1							S #
22	1	714360-23800	ROD SET, W/PISTON .50					1			#
23	1	714350-23800	ROD SET, W/PISTON .50						1		#
24	1	714250-22580 (B=03917)	PISTON ASSY, 0.50 OS	1	1						#
24-1	1	714260-22580 (A=E53488)	PISTON ASSY, 0.50 OS	1							S #
25	1	714360-22580	PISTON ASSY, 0.50 OS						1		#
26	1	714350-22580	PISTON ASSY, 0.50 OS							1	#
28	2	714250-22550	RING SET, 0.50 OS	1	1						#
29	2	714350-22550	RING SET, 0.50 OS							1	#
31	1	114250-22301	PIN, PISTON	1	1						#
31-1	1	114250-22302	PIN, PISTON D=19	1	1						S

N:Old New, Q:Old New, R:Old New, S:Old New, W:Add, Z:Discontinued, F:Interchangeable by set, K:Q'ty Change
++ CONTINUE ++
Copyright (C) YANMAR CO., LTD. All Rights Reserved.

Fig.5. PISTON & ROD

Fig.5 PISTON & CONNECTING ROD



Part change notice and the effective engine number list.

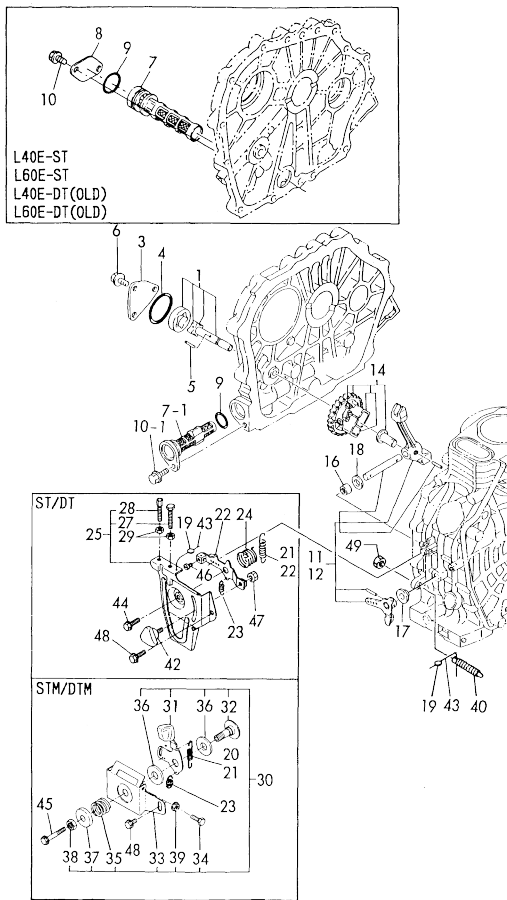
MODEL	SIZE	ENG./#	PISTON & ROD ASSY.	PISTON W/RINGS	ROD ASSY	PIN, PISTON	CIRCLIP
L40E-DT/ST	φ17	01236 ~03909	1, 1-1, 11, 11-1 21, 21-1	Order by a set of Piston & Rod Assy		31	33
		03913 ~63641	↑	4-2, 4-3, 14-1 14-2, 24, 24-1	44-2	31-1	33-1
L40E-DTM1, STM1	φ19	63768 ~	↑	35, 36, 38, 39 41, 42	↑	↑	↑
		01021 ~03798	2, 3, 12, 13, 22 23	Order by a set of Piston & Rod Assy		32	34
L60E-DT/ST	φ21	03808 ~29261	↑	Order by a set of Piston & Rod Assy		32-1	34-1
		50133 ~	↑	5-4, 6-4, 15 16-1, 26, 26	45-4	↑	↑

Remarks
(M) FOR L40E-DTM1
(Y) FOR L40E-STM1
(#) OVERSIZED PART

No.	Lev.	Parts No.	Description	Qty						I	R
				(A)	(B)	(C)	(D)	(E)	(F)		
32	1	114350-22300	PIN, PISTON D=19					1	1		
32-1	1	114350-22301	PIN, PISTON D=21					1	1		S
33	1	22252-000170	RING, 17					2	2		
33-1	1	22252-000190	RING, 19					2	2		S
34	1	22252-000190	RING, 19							2	2
34-1	1	22252-000210	RING, 21							2	2
35	1	714260-22740	PISTON ASSY, DTM1					1			M
36	1	714250-22740	PISTON ASSY, STM1						1		Y
38	1	714260-22610	PISTON ASSY, 0.25 OS					1			#
39	1	714250-22610	PISTON ASSY, 0.25 OS						1		#
41	1	714260-22820	PISTON ASSY, 0.50 OS					1			#
42	1	714250-22820	PISTON ASSY, 0.50 OS						1		#
44-2	1	714250-23703	ROD ASSY, CONNECTING					1	1		
45-4	1	714350-23704	ROD ASSY, CONNECTING							1	1
47	3	114250-23200	BOLT, CONNECTING ROD					2	2	2	2
48	3	114250-23220	NUT					2	2	2	2
49	3	114250-23250	WASHER					2	2	2	2
50	3	22312-030080	PIN, PARALLEL M3X 8					2	2	2	2
51	2	714250-23600	BEARING, CRANK PIN					1	1		
52	2	714350-23600	BEARING, CRANK PIN							1	1
54	1	714250-23610	BEARING ASSY, 0.25					1	1		#
55	1	714350-23610	BEARING ASSY, 0.25							1	1
56	1	714250-23620	BEARING, 0.50 US					1	1		#
57	1	714350-23620	BEARING, 0.50 US							1	1

Fig.6 L.O. DEVICE & GOVERNOR CONTROL

Fig.6 LUB. OIL PUMP & GOVERNOR

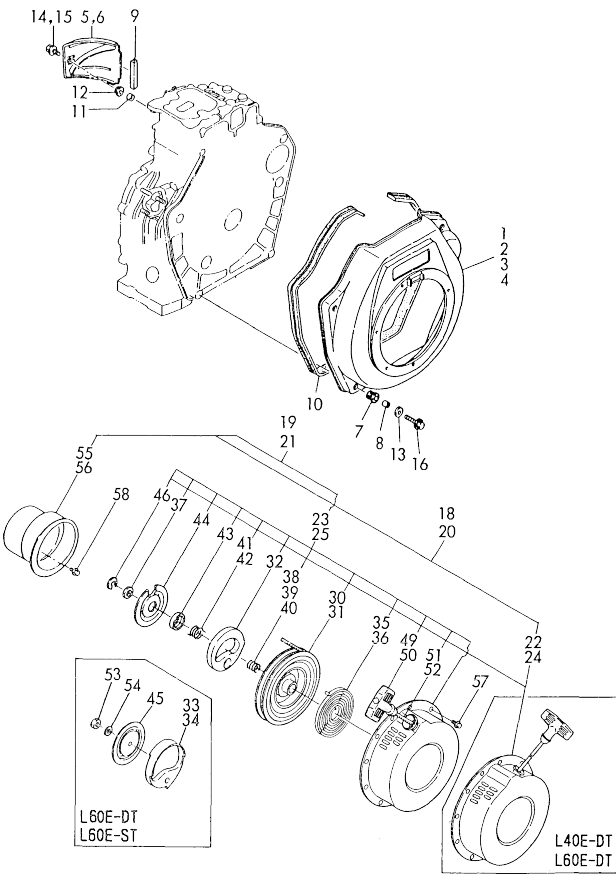


No.	Lev.	Parts No.	Description	Q'ty						I	R
				(A)	(B)	(C)	(D)	(E)	(F)		
1	1	114250-32010	PUMP ASSY, OIL	1	1		1	1			
3	1	114250-32070	COVER	1	1		1	1			
4	1	103338-32570	O-RING	1	1		1	1			
5	1	22312-030160	PIN, PARALLEL M3X16	1	1		1	1			
6	1	26476-060142	SCREW, TAPPING M6X14	3	3		3	3			
7	1	114250-35060	FILTER, OIL	1	1		1	1			
7-1	1	114250-35070	FILTER, OIL	1	1		1	1		S	
8	1	114250-35250	COVER (D=59291)	1	1		1	1			
9	1	24341-000224	O-RING, 1AS22.4	1	1		1	1			
10	1	26106-060122	BOLT, M6X 12 PLATED	2	2		2	2			
10-1	1	26106-060162	BOLT, M6X 16 PLATED	1	1		1	1			
11	1	714250-61500	LEVER ASSY, GOVERNOR	1	1						
12	1	714350-61500	LEVER ASSY, GOVERNOR					1	1		
14	1	714250-61700	GOVERNOR ASSY	1	1		1	1			
16	1	121450-61520	BEARING, NEEDLE 8	2	2		2	2			
17	1	114250-61900	BUSH	1	1		1	1			
18	1	22137-080000	WASHER, 8	1	1		1	1			
19	1	135210-61090	LEAD	2	2		2	2			
20	1	114250-66010	SPRING, REGULATOR	1	1						
21	1	114350-66011	SPRING, REGULATOR					1	1		
22	1	114250-66050	HANDLE, REGULATOR	1	1		1	1			
23	1	114250-66200	SPRING, RETURN	1	1		1	1			
24	1	114252-66252	SPRING, RETURN	1	1		1	1			
25	1	714268-66500	BRACKET ASSY, HANDLE	1	1		1	1			
27	3	102100-67080	BOLT, ADJUSTING	1	1		1	1			
28	3	114250-66440	BOLT, ADJUSTING	1	1		1	1			
29	2	26756-060002	NUT, LOCK M6	2	2		2	2			
30	1	183250-66500	BRACKET ASSY	1	1		1	1			
31	2	183250-66050	HANDLE, REGULATOR	1	1		1	1			
32	2	183250-66070	SHAFT, HANDLE	1	1		1	1			
33	2	183250-66100	BRACKET, RADIATOR	1	1		1	1			
34	2	114250-66440	BOLT, ADJUSTING	1	1		1	1			
35	2	104200-66820	SPRING	1	1		1	1			
36	2	104200-66830	PLATE, FRICTION	2	2		2	2			
37	2	104200-66850	WASHER	1	1		1	1			
38	2	26696-100002	NUT, LOCK M10	1	1		1	1			
39	2	26757-060002	NUT, LOCK M6	1	1		1	1			
40	1	114250-66550	LIMITER ASSY, FUEL	1	1		1	1			
42	1	160725-78350	KNOB	1	1		1	1			
43	1	22451-060000	WIRE, 0.6	2	2		2	2			
44	1	26106-060202	BOLT, M6X 20 PLATED	1	1		1	1			
45	1	26106-060452	BOLT, M6X 45 PLATED	1	1		1	1			
46	1	26116-040088	BOLT, M4X 8 PLATED	1	1		2	1			
47	1	26346-060002	NUT, M6	1	1		1	1			
48	1	26476-060142	SCREW, TAPPING M6X14	1	1		1	1			
49	1	26696-100002	NUT, LOCK M10	1	1		1	1			

N:Old $\frac{New}{Old}$ New, Q:Old $\frac{New}{Old}$ New, R:Old $\frac{New}{Old}$ New, S:Old $\frac{New}{Old}$ New, W:Add, Z:Discontinued, F:Interchangeable by set, K:Q'ty Change
 Copyright (C) YANMAR CO., LTD. All Rights Reserved.

Fig.7. COOLING & RECOIL STARTER

Fig.7 COOLING & STARTING DEVICE

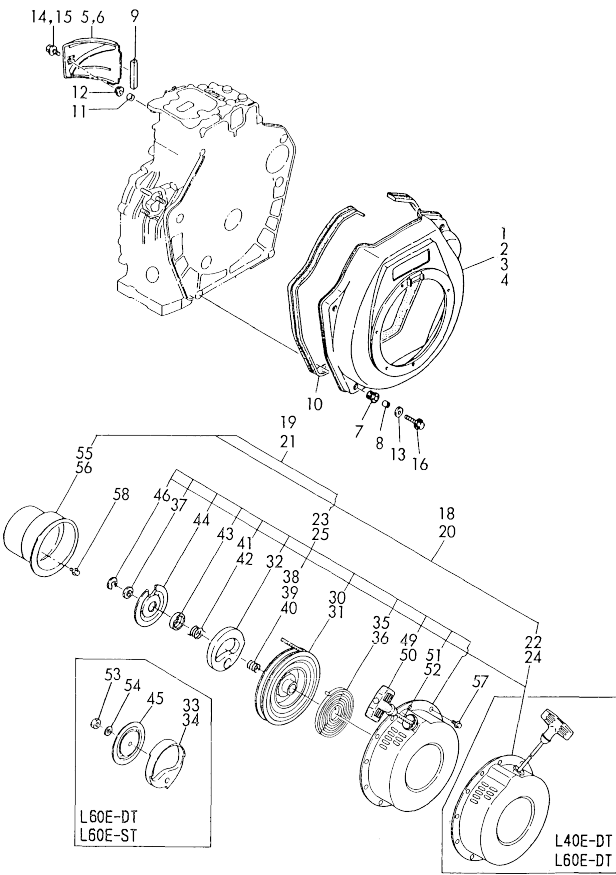


No.	Lev.	Parts No.	Description	Qty						I	R
				(A)	(B)	(C)	(D)	(E)	(F)		
1	1	114260-45100	CASE, COOLING FAN	1							
1-1	1	114260-45101	CASE, COOLING FAN	1							N
(A=E50384)											
2	1	114250-45100	CASE, COOLING FAN		1						
2-1	1	114250-45101	CASE, COOLING FAN		1						N
(B=E50384)											
3	1	114360-45100	CASE, COOLING FAN					1			
3-1	1	114360-45101	CASE, COOLING FAN					1			N
(D=E53594)											
4	1	114350-45100	CASE, COOLING FAN						1		
4-1	1	114350-45101	CASE, COOLING FAN						1		N
(E=E53594)											
5	1	114250-45211	COVER	1	1						
6	1	114350-45201	COVER					1	1		
7	1	114250-45300	ABSORBER	4	4			5	5		
8	1	114250-45310	COLLAR	4	4			5	5		
9	1	114350-45320	RUBBER, SEAL					1	1		
10	1	114250-45330	SEAL, FAN CASE L=875	1	1			1	1		
11	1	114350-45340	COLLAR						1	1	
12	1	183720-55210	GROMMET						1	1	
13	1	160120-76940	WASHER	4	4			5	5		
14	1	26476-060142	SCREW, TAPPING M6X14	1	1						
15	1	26476-060202	SCREW, TAPPING M6X20						1	1	
16	1	26476-060252	SCREW, TAPPING M6X25	4	4					5	5
18	1	714260-76820	STARTER ASSY, RECOIL	1							
19	1	714250-76820	STARTER ASSY, RECOIL		1						
20	1	714360-76820	STARTER ASSY, RECOIL						1		
21	1	714350-76820	STARTER ASSY, RECOIL							1	
22	2	714260-76830	CASE, STARTER	1							
23	2	714250-76830	CASE ASSY, STARTER		1						
24	2	714360-76830	CASE, STARTER							1	
25	2	714350-76830	STARTER ASSY, RECOIL								1
30	3	160260-76520	REEL	1	1						
31	3	160810-76520	REEL						1	1	
32	3	160260-76530	RATCHET	1	1						
33	3	160840-76530	RATCHET							1	
34	3	160810-76530	RATCHET								1
35	3	160260-76540	SPRING, SPIRAL	1	1						
36	3	160810-76540	SPRING, SPIRAL						1	1	
37	3	160260-76550	WASHER, THRUST	1	1						
38	3	160260-76560	SPRING, FRICTION	1	1						
39	3	160840-76560	SPRING, FRICTION							1	
40	3	160810-76560	SPRING, FRICTION								1
41	3	160290-76570	SPRING, RETURN	1							
42	3	160260-76570	SPRING, RETURN		1						
43	3	160260-76580	COVER	1	1						
44	3	160260-76590	PLATE, FRICTION	1	1						
45	3	160810-76580	PLATE, FRICTION						1	1	
46	3	160260-76600	CIRCLIP	1	1						
47	3	160260-76610	ROPE ASSY, STARTER	1	1						
48	3	160810-76610	ROPE ASSY, STARTER							1	1

N:Old $\frac{New}{Old}$ New, Q:Old $\frac{New}{Old}$ New, R:Old $\frac{New}{Old}$ New, S:Old $\frac{New}{Old}$ New, W:Add, Z:Discontinued, F:Interchangeable by set, K:Qty Change
 ++ CONTINUE ++
 Copyright (C) YANMAR CO., LTD. All Rights Reserved.

Fig.7. COOLING & RECOIL STARTER

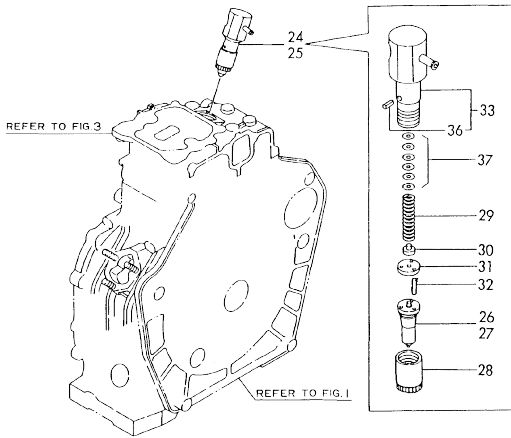
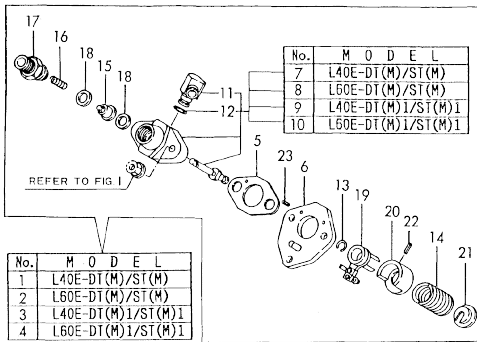
Fig.7 COOLING & STARTING DEVICE



No.	Lev.	Parts No.	Description	Q'ty						I	R
				(A)	(B)	(C)	(D)	(E)	(F)		
49	4	160260-76620	KNOB, STARTER	1	1						
50	4	160810-76620	KNOB, STARTER				1	1			
51	4	160260-76630	ROPE, STARTER	1	1						
52	4	160810-76630	ROPE, STARTER				1	1			
53	3	181130-76680	NUT				1	1			
54	3	181130-76700	WASHER				1	1			
55	2	114250-76590	PULLEY, STARTER	1	1						
56	2	114350-76590	PULLEY, STARTER				1	1			
57	1	26106-060082	BOLT, M6X 8 PLATED	4	4		4	4			
58	1	26106-060122	BOLT, M6X 12 PLATED	3	3		3	3			

Fig.8. FUEL INJECTION PUMP & VALVE

Fig.8 FUEL INJECTION PUMP & VALVE

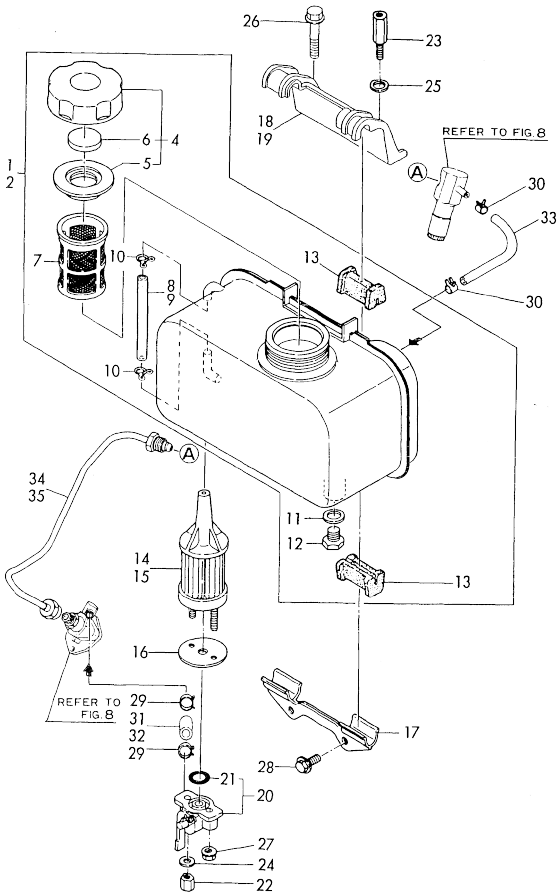


No.	Lev.	Parts No.	Description	Q'ty						I	R
				(A)	(B)	(C)	(D)	(E)	(F)		
1	1	783250-51701	PUMP ASSY, INJECTION								
2	1	783350-51701	PUMP ASSY, INJECTION								
3	1	783250-51740	PUMP ASSY, INJECTION								
4	1	783350-51740	PUMP ASSY, INJECTION								
5	2	105546-51020	GASKET								
6	2	114250-51080	PLATE								
7	2	183250-51200	BODY ASSY, PUMP								
8	2	183350-51200	BODY ASSY, PUMP								
9	2	183250-51400	BODY ASSY, PUMP								
10	2	183350-51400	BODY ASSY, PUMP								
11	3	114250-51180	JOINT, PIPE								
12	3	114250-51190	O-RING, S27								
13	2	114250-51150	RING, SNAP								
14	2	114250-51160	SPRING, PLUNGER								
15	2	114250-51300	VALVE ASSY, DELIVERY								
16	2	105546-51330	SPRING, DELIVERY								
17	2	114250-51340	HOLDER, DELIVERY								
18	2	124550-51350	GASKET, DELIVERY								
19	2	114250-51600	LEVER ASSY, CONTROL								
20	2	114250-51640	SEAT, SPRING A								
21	2	114250-51650	SEAT, SPRING B								
22	2	22351-020006	PIN, SPRING 2.0X 6								
23	2	22351-030008	PIN, SPRING 3.0X 8								
24	1	714250-53101	VALVE ASSY, INJECTION								
25	1	714350-53100	VALVE ASSY, INJECTION								
26	2	114250-53001	VALVE ASSY, INJECTION								
27	2	114350-53000	VALVE ASSY, INJECTION								
28	2	114250-53080	NUT, NOZZLE D16.95								
29	2	114250-53120	SPRING, NOZZLE								
30	2	114250-53130	SEAT, SPRING								
31	2	114250-53140	PLATE								
32	2	114250-53210	PIN								
33	2	114250-53300	HOLDER ASSY, NOZZLE								
36	3	114250-53331	PIN								
37	2	114250-53400	SHIM SET								

Remarks
 (#) FOR L40E-DTM1 & L40E-STM1
 (H) FOR L60E-DTM1 & L60E-STM1

Fig.9. FUEL TANK & FUEL PIPE

Fig.9 FUEL TANK & FUEL LINE

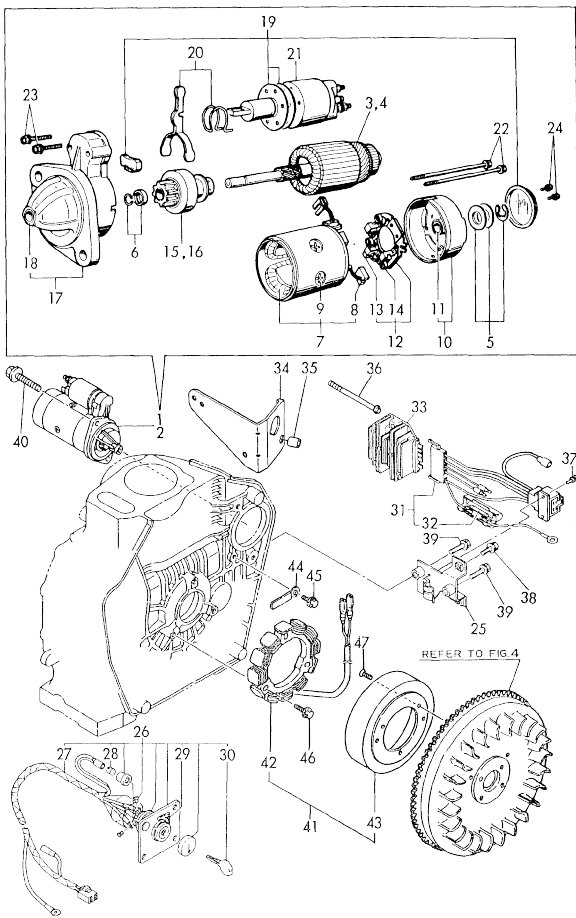


No.	Lev.	Parts No.	Description	Qty						I	R
				(A)	(B)	(C)	(D)	(E)	(F)		
1	1	714268-55700	TANK ASSY, FUEL	1	1						
1-1	1	714268-55701	TANK ASSY, FUEL	1	1						N
		(A=E54384) (B=E54384)									
2	1	714368-55700	TANK ASSY, FUEL				1	1			
2-1	1	714368-55701	TANK ASSY, FUEL				1	1			N
		(D=E53594) (E=E53594)									
4	2	114250-55041	CAP ASSY	1	1		1	1			
5	3	114250-55050	GASKET	1	1		1	1			
6	3	114250-55060	SEAL	1	1		1	1			
7	2	114250-55100	FILTER, FUEL	1	1		1	1			
8	2	114250-55150	GAUGE, LEVEL	1	1						
9	2	114350-55150	GAUGE, LEVEL						1	1	
10	2	124722-59050	CLIP, HOSE 9	2	2		2	2			
11	2	23414-120000	GASKET, 12X1.0	1	1		1	1			
12	2	23887-120002	PLUG, 12	1	1		1	1			
13	2	114250-55200	DAMPER, FUEL TANK	4	4		4	4			
13-1	2	114250-55201	DAMPER, FUEL TANK	4	4		4	4			N
		(A=54384) (B=54384) (D=53594) (E=53594)									
14	1	114250-55120	FILTER ASSY, FUEL	1	1				1	1	
15	1	114350-55120	FILTER ASSY, FUEL						1	1	
16	2	114250-55130	GASKET	1	1		1	1			
17	1	114250-55210	STAY, FUEL TANK	1	1		1	1			
17-1	1	114250-55211	STAY, FUEL TANK	1	1		1	1			N
		(A=E54384) (B=E54384) (D=E53594) (E=E53594)									
18	1	114250-55230	STAY, FUEL TANK	1	1						
18-1	1	114250-55231	STAY, FUEL TANK	1	1						N
		(A=E54384) (B=E54384)									
19	1	114350-55230	STAY, FUEL TANK						1	1	
19-1	1	114350-55231	STAY, FUEL TANK						1	1	N
		(D=E53594) (E=E53594)									
20	1	114250-55300	COCK ASSY, FUEL	1	1		1	1			
21	1	24341-000150	O-RING, 1AS15.0	1	1		1	1			
22	1	114252-55800	NUT	1	1		1	1			
23	1	114650-55810	BOLT	1	1		1	1			
		(A=E50384)									
24	1	22117-060000	WASHER, 6	1	1		1	1			
25	1	22117-080000	WASHER, 8	1	1		1	1			
26	1	26106-080452	BOLT, M8X 45 PLATED	1	1		1	1			
27	1	26366-060002	NUT, M6	1	1		1	1			
28	1	26476-060142	SCREW, TAPPING M6X14	2	2		2	2			
29	1	106990-44660	CLIP, HOSE 12.5	2	2		2	2			
30	1	124722-59050	CLIP, HOSE 9	2	2		2	2			
31	1	114268-59060	PIPE, FUEL L=50	1	1						
32	1	114360-59060	PIPE, FUEL L=55						1	1	
33	1	114250-59060	PIPE, FUEL RETURN	1	1		1	1			
34	1	114250-59810	PIPE ASSY, INJECTION	1	1						
35	1	114350-59800	PIPE ASSY, INJECTION						1	1	

N:Old $\frac{100}{100}$ New, Q:Old $\frac{100}{100}$ New, R:Old $\frac{100}{100}$ New, S:Old $\frac{100}{100}$ New, W:Add, Z:Discontinued, F:Interchangeable by set, K:Qty Change
 Copyright (C) YANMAR CO., LTD. All Rights Reserved.

Fig.10. STARTING MOTOR & DYNAMO

Fig. 10 STARTING MOTOR & DYNAMO

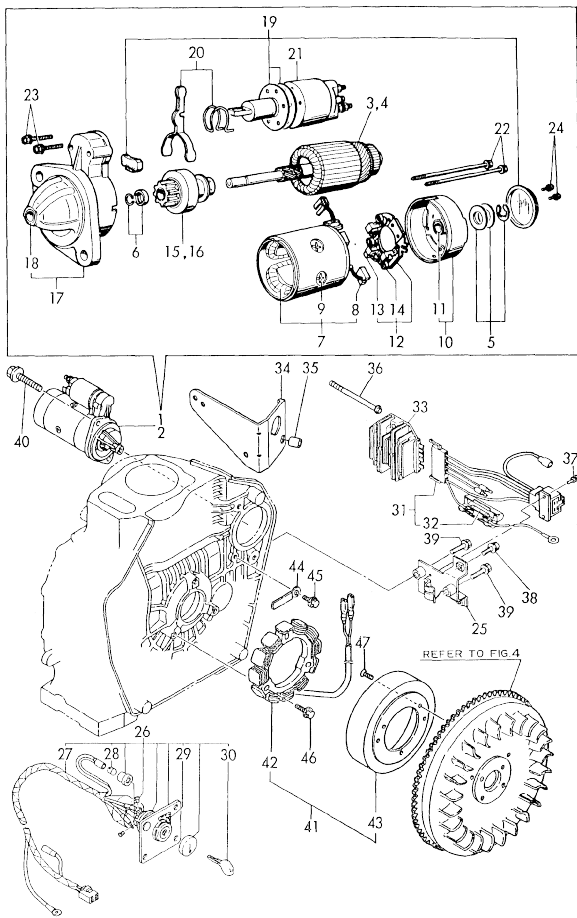


No.	Lev.	Parts No.	Description	Q'ty						I	R
				(A)	(B)	(C)	(D)	(E)	(F)		
1	1	114362-77010	STARTER, S114-414A								
2	1	114351-77010	STARTER, S114-413A								
3	2	X211461104	ARMATURE (DE)	1			1				
4	2	X211461008	ARMATURE (SE)		1				1		
5	2	X21148110	WASHER SET, THRUST	1	1			1	1		
6	2	X21147155	STOPPER SET, PINION	1	1			1	1		
7	3	X211412105	FIELD COIL ASSY	1	1			1	1		
8	3	X21145312	BRUSH, +	2	2			2	2		
9	3	X21143215	SCREW, CORE	4	4			4	4		
10	2	X211473002	COVER, REAR	1	1			1	1		
11	3	X21145352	METAL, REAR COVER	1	1			1	1		
12	2	X211489001	HOLDER ASSY, BRUSH	1	1			1	1		
13	3	X21148313	BRUSH (-)	1	1			1	1		
14	3	X21149314	SPRING, BRUSH	3	3			3	3		
15	2	X211445508	PINION ASSY (DE)	1				1			
16	2	X211445504	PINION ASSY (SE)		1			1	1		
17	2	X211416603	HOUSING	1	1			1	1		
18	3	X21145352	METAL, REAR COVER	1	1			1	1		
19	2	X211478006	COVER KIT	1	1			1	1		
20	2	X211456013	LEVER, KIT SHIFT	1	1			1	1		
21	2	X211427501	SWITCH ASSY, MAGNET	1	1			1	1		
22	2	X211468005	BOLT, THROUGH	2	2			2	2		
23	2	X21145867	BOLT, M6	2	2			2	2		
24	2	X21142835	SCREW SET	1	1			1	1		
25	1	114253-77410	BRACKET	1	1			1	1		
26	1	114351-77500	PANEL ASSY	1	1			1	1		
27	2	114351-77700	HARNESS, WIRE	1	1			1	1		
28	3	29220-083200	BULB (12V/3.4W)	1	1			1	1		
29	2	105198-07120	LABEL, STARTER	1	1			1	1		
30	2	106100-77630	KEY, SWITCH	1	1			1	1		
31	1	114351-77540	HARNESS, WIRE	1	1			1	1		
32	2	29411-150000	FUSE, CARTRIDGE 15A	2	2			2	2		
33	1	119660-77710	LIMITER, CURRENT 15A	1	1			1	1		
34	1	114351-77620	BRACKET					1	1		
35	1	114351-77630	SPACER					2	2		
36	1	26106-060702	BOLT, M6X 70 PLATED					2	2		
37	1	26023-040102	SCREW, M4X10	2	2			2	2		
38	1	26106-060202	BOLT, M6X 20 PLATED	2	2			2	2		
39	1	26106-060252	BOLT, M6X 25 PLATED	2	2			2	2		
40	1	26106-100302	BOLT, M10X 30 PLATED	2	2			2	2		
41	1	114351-78210	DYNAMO ASSY	1	1			1	1		
41-1	1	114351-78260	DYNAMO ASSY	1	1			1	1		S
		(A=E50001)	(B=E50001)	(D=E50001)	(E=E50001)						
42	2	114351-78630	STATOR ASSY, D114	1	1			1	1		
42-1	2	114351-78770	STATOR ASSY, 132.1MM	1	1			1	1		S
		(A=E50001)	(B=E50001)	(D=E50001)	(E=E50001)						
43	2	114351-78600	WHEEL, DYNAMO	1	1			1	1		
43-1	2	114351-78780	WHEEL, DYNAMO	1	1			1	1		S
		(A=E50001)	(B=E50001)	(D=E50001)	(E=E50001)						
44	1	160710-78710	CLAMP, CORD	1	1			1	1		
45	1	26476-060142	SCREW, TAPPING M6X14	1	1			1	1		

N:Old $\frac{New}{Old}$ New, Q:Old $\frac{New}{Old}$ New, R:Old $\frac{New}{Old}$ New, S:Old $\frac{New}{Old}$ New, W:Add, Z:Discontinued, F:Interchangeable by set, K:Q'ty Change
 ++ CONTINUE ++
 Copyright (C) YANMAR CO., LTD. All Rights Reserved.

Fig.10. STARTING MOTOR & DYNAMO

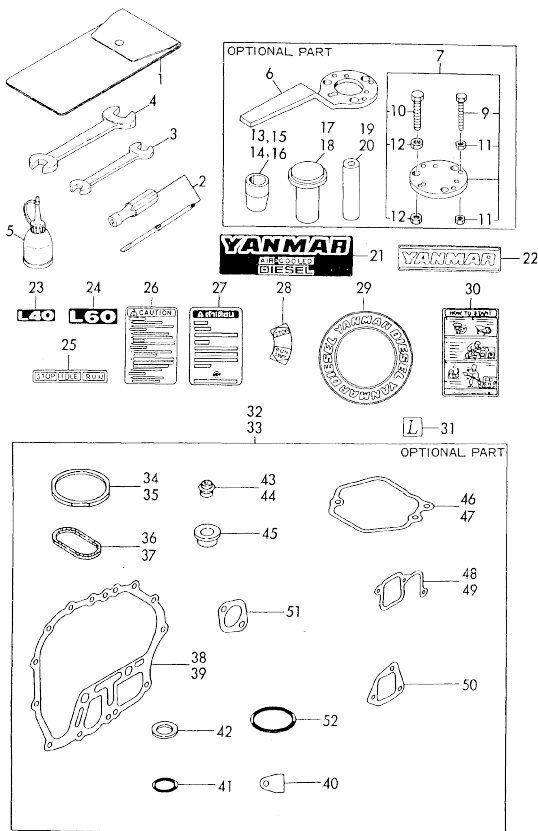
Fig. 10 STARTING MOTOR & DYNAMO



No.	Lev.	Parts No.	Description	Q'ty					
				(A)	(B)	(C)	(D)	(E)	(F)
46	1	26476-060202	SCREW, TAPPING M6X20	3	3		3	3	
47	1	26577-060142	SCREW M 6X 14	3	3		3	3	

Fig.11. TOOLS / LABELS & GASKET SET

Fig. 11 LABEL, TOOL & GASKET SET

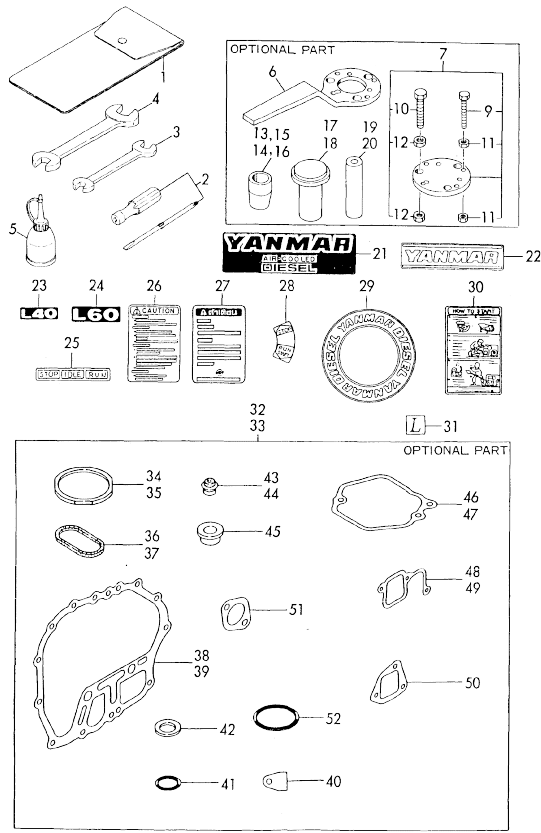


No.	Lev.	Parts No.	Description	Qty						I	R
				(A)	(B)	(C)	(D)	(E)	(F)		
1	1	114250-92600	BAG, TOOL	1	1		1	1			
2	1	160330-92730	DRIVE, SCREW	1	1		1	1			
3	1	28110-100120	SPANNER, 10X12	1	1		1	1			
4	1	28110-140170	SPANNER, 14X17	1	1		1	1			
5	1	28210-000150	OILER	1	1		1	1			
6	1	114250-92101	F.W. LOCKING HANDLE	1	1		1	1			
7	1	114250-92130	REMOVER, ASSY.FLYWHE	1	1		1	1			
9	2	26116-060454	BOLT M 6X 45 PLATED	4	4		4	4			
10	2	26116-080454	BOLT, M8X 45 PLATED	3	3		3	3			
11	2	26716-060002	NUT, M6	8	8		8	8			
12	2	26716-080002	NUT, M8	6	6		6	6			
13	1	114268-92300	GUIDE, OIL SEAL	1						#	
14	1	114368-92300	GUIDE, OIL SEAL				1			#	
15	1	114250-92301	GUIDE		1					#	
16	1	114350-92301	GUIDE, OIL SEAL					1		#	
17	1	114250-92311	INSTALLING TOOL	1	1					#	
18	1	114350-92311	INSTALLING TOOL				1	1		#	
19	1	114250-92350	INSTALLING TOOL	1	1					#	
20	1	114350-92350	INSTALLING TOOL					1	1	#	
21	1	114250-07090	LABEL, AIR COOLED	1	1		1	1			
22	1	183250-07110	LABEL, YANMAR (B)	1	1		1	1			
23	1	183250-07120	LABEL, L40	1	1						
24	1	183350-07120	LABEL, L60					1	1		
25	1	183250-07230	LABEL, POSITION SHIFT	1	1		1	1			
26	1	114268-07240	LABEL, CAUTION	1	1		1	1			
27	1	114268-07250	LABEL, CAUTION (THAI)	1	1		1	1			
28	1	114250-07260	LABEL, OPERATION	1	1		1	1			
29	1	114250-07350	LABEL, DIESEL	1	1		1	1			
30	1	114268-07350	LABEL, HOW TO START	1	1		1	1			
31	1	114250-07950	LABEL, (L MARK)	1	1		1	1			
32	1	714250-92600	GASKET SET	1	1						
32-1	1	714250-92601	GASKET SET	1	1					N	
		(A=E19828) (B=20270)									
32-2	1	714250-92602	GASKET SET	1							
		(A=E62372)									
33	1	714350-92600	GASKET SET				1	1			
33-1	1	714350-92601	GASKET SET				1	1		N	
				(D=E24314)	(E=25253)						
33-2	1	714350-92602	GASKET SET				1			S	
				(D=E59291)							
34	2	114250-01340	GASKET, HEAD	1	1						
35	2	114350-01340	GASKET, HEAD				1	1			
36	2	114250-01380	O-RING	1	1						
37	2	114350-01380	O-RING					1	1		
38	2	114250-01410	GASKET, CRANK CASE	1							
38-1	2	114250-01411	GASKET, CRANK CASE	1	1						
38-2	2	114250-01412	GASKET, CRANK CASE	1							
39	2	114350-01410	GASKET, CRANK CASE					1	1		
39-1	2	114350-01411	GASKET, CRANK CASE					1	1		
39-2	2	114350-01412	GASKET, CRANK CASE					1	1		
40	2	24311-000180	O-RING, 1AP18.0	2	2		2	2			

N:Old $\frac{100}{100}$ New, Q:Old $\frac{100}{100}$ New, R:Old $\frac{100}{100}$ New, S:Old $\frac{100}{100}$ New, W:Add, Z:Discontinued, F:Interchangeable by set, K:Qty Change
 ++ CONTINUE ++
 Copyright (C) YANMAR CO., LTD. All Rights Reserved.

Fig.11. TOOLS / LABELS & GASKET SET

Fig. **11** LABEL, TOOL & GASKET SET



No.	Lev.	Parts No.	Description	Q'ty					
				(A)	(B)	(C)	(D)	(E)	(F)
41	2	114250-01840	GASKET	1	1		1	1	
42	2	43400-500490	SEAL WASHER 16	2	2		2	2	
43	2	114250-11340	SEAL, VALVE STEM	2	2				
44	2	114350-11340	SEAL, VALVE STEM				2	2	
45	2	114250-11460	GASKET, NOZZLE	1	1		1	1	
46	2	114250-11310	GASKET, BONNET	1	1				
47	2	114250-11310	GASKET, BONNET				1	1	
48	2	114250-12200	GASKET	1	1				
49	2	114350-12200	GASKET				1	1	
49-1	2	114350-12201	GASKET				1	1	
50	2	114250-12210	GASKET, AIR CLEANER	1	1		1	1	
51	2	114250-13200	GASKET, MUFFLER	1	1		1	1	
52	2	103338-32570	O-RING	1	1		1	1	

Remarks
 (#)OPTIONAL PARTS

N:Old $\frac{100}{100}$ New, Q:Old $\frac{100}{100}$ New, R:Old $\frac{100}{100}$ New, S:Old $\frac{100}{100}$ New, W:Add, Z:Discontinued, F:Interchangeable by set, K:Qty Change
 Copyright (C) YANMAR CO., LTD. All RightsReserved.

Parts No. Index

Parts No.	Fig. No.	Ref. No.	Parts No.	Fig. No.	Ref. No.	Parts No.	Fig. No.	Ref. No.	Parts No.	Fig. No.	Ref. No.
101158-11180	2	11	114250-11020	2	1	114250-35150	1	32	114250-76590	7	55
102100-67080	6	27	114250-11101	2	4	114250-35250	6	8	114250-92101	11	6
103338-32570	6	4	114250-11112	2	6	114250-45100	7	2	114250-92130	11	7
	11	52	114250-11120	2	8	114250-45101	7	2 -1	114250-92301	11	15
103854-01221	4	23	114250-11180	2	10	114250-45211	7	5	114250-92311	11	17
104200-66820	6	35	114250-11240	2	27 -1	114250-45300	7	7	114250-92350	11	19
104200-66830	6	36	114250-11290	2	16	114250-45310	7	8	114250-92600	11	1
104200-66850	6	37	114250-11310	2	36	114250-45330	7	10	114250-99100	1	55 -2
105025-11230	2	27		11	46	114250-51080	8	6	114251-21590	4	33
105198-07120	10	29			47	114250-51150	8	13	114251-21591	4	33 -1
105225-01240	1	10	114250-11340	2	18	114250-51160	8	14	114252-55800	9	22
105425-01690	1	24		11	43	114250-51180	8	11	114252-66252	6	24
105546-51020	8	5	114250-11460	2	20	114250-51190	8	12	114253-77410	10	25
105546-51330	8	16		11	45	114250-51300	8	15	114260-01450	1	17
106100-77630	10	30	114250-11600	2	22	114250-51340	8	17	114260-01451	1	17 -1
106990-44660	9	29	114250-11651	2	23 -1A	114250-51600	8	19	114260-01452	1	17 -2
114250-01200	1	1	114250-11661	2	25 -1A	114250-51640	8	20	114260-01453	1	17 -3
114250-01210	1	3	114250-11780	2	23 -1B	114250-51650	8	21	114260-21400	4	26
114250-01220	1	5	114250-11790	2	25 -1B	114250-53001	8	26	114260-21401	4	26 -1
114250-01250	1	7	114250-11900	2	29	114250-53080	8	28	114260-45100	7	1
114250-01340	1	11	114250-11951	2	37	114250-53120	8	29	114260-45101	7	1 -1
	11	34	114250-12010	3	1	114250-53130	8	30	114262-21590	4	31
114250-01380	1	13	114250-12200	3	3	114250-53140	8	31	114262-21591	4	31 -1
	11	36		11	48	114250-53210	8	32	114268-07240	11	26
114250-01410	1	15	114250-12210	3	5	114250-53300	8	33	114268-07250	11	27
	11	38		11	50	114250-53331	8	36	114268-07350	11	30
114250-01411	1	15 -1	114250-12520	3	8	114250-53400	8	37	114268-13500	3	17
	11	38 -1	114250-12530	3	9	114250-55041	9	4	114268-13510	3	19
114250-01412	1	15 -2	114250-12550	3	12	114250-55050	9	5	114268-13700	3	21
	11	38 -2	114250-12560	3	10	114250-55060	9	6	114268-13800	3	23
114250-01450	1	18	114250-12580	3	11	114250-55100	9	7	114268-59060	9	31
114250-01451	1	18 -1	114250-13200	3	16	114250-55120	9	14	114268-92300	11	13
114250-01452	1	18 -2		11	51	114250-55130	9	16	114350-01200	1	2
114250-01740	1	25	114250-14200	4	6	114250-55150	9	8	114350-01210	1	4
114250-01800	1	28	114250-14260	4	9	114250-55200	9	13	114350-01220	1	6
114250-01830	1	30	114250-14400	4	7	114250-55201	9	13 -1	114350-01250	1	8
114250-01840	1	31	114250-14450	4	7 -2	114250-55210	9	17	114350-01340	1	12
	11	41	114250-14900	4	7 -1A	114250-55211	9	17 -1		11	35
114250-02030	1	41	114250-21400	4	27	114250-55230	9	18	114350-01380	1	14
114250-02100	1	22	114250-21401	4	27 -1	114250-55231	9	18 -1		11	37
114250-02112	1	42	114250-21550	4	30	114250-55300	9	20	114350-01410	1	16
114250-02113	1	42 -1	114250-22301	5	31	114250-59060	9	33		11	39
114250-02200	1	51	114250-22302	5	31 -1	114250-59810	9	34	114350-01411	1	16 -1
114250-02210	1	53	114250-23200	5	47	114250-61900	6	17		11	39 -1
114250-03591	2	38	114250-23220	5	48	114250-66010	6	20	114350-01412	1	16 -2
114250-03640	2	40	114250-23250	5	49	114250-66050	6	22		11	39 -2
114250-07090	11	21	114250-32010	6	1	114250-66200	6	23	114350-01450	1	20
114250-07260	11	28	114250-32070	6	3	114250-66440	6	28	114350-01451	1	20 -1
114250-07350	11	29	114250-35060	6	7			34	114350-01452	1	20 -2
114250-07950	11	31	114250-35070	6	7 -1	114250-66550	6	40	114350-01700	1	59

Parts No. Index

Parts No.	Fig. No.	Ref. No.	Parts No.	Fig. No.	Ref. No.	Parts No.	Fig. No.	Ref. No.	Parts No.	Fig. No.	Ref. No.
114350-02100	1	23	114351-77630	10	35	160710-01740	1	26	22512-070360	4	11
114350-02112	1	43	114351-77700	10	27	160710-01760	1	25 -1	23414-120000	9	11
114350-02113	1	43 -1	114351-78210	10	41	160710-78710	10	44	23871-010000	1	33
114350-02200	1	52	114351-78260	10	41 -1	160725-78350	6	42	23887-120002	9	12
114350-02210	1	54	114351-78600	10	43	160810-76520	7	31	24101-062024	4	42
114350-11020	2	2	114351-78630	10	42	160810-76530	7	34	24101-062050	1	47
114350-11021	2	2 -1	114351-78770	10	42 -1	160810-76540	7	36	24101-062060	1	48
114350-11101	2	5	114351-78780	10	43 -1	160810-76560	7	40	24162-152112	1	49
114350-11112	2	7	114360-21400	4	28	160810-76580	7	45	24311-000180	1	27
114350-11120	2	9	114360-45100	7	3	160810-76610	7	48		11	40
114350-11340	2	19	114360-45101	7	3 -1	160810-76620	7	50	24341-000150	9	21
	11	44	114360-59060	9	32	160810-76630	7	52	24341-000224	6	9
114350-11470	2	21	114362-21590	4	35	160840-76530	7	33	26023-040102	10	37
114350-11780	2	23 -1C	114362-77010	10	1	160840-76560	7	39	26106-060082	3	22
114350-11790	2	25 -1C	114368-01450	1	19	160842-21150	4	20		7	57
114350-12010	3	2	114368-01451	1	19 -1	160842-21250	4	22	26106-060122	3	24
114350-12011	3	2 -1	114368-01452	1	19 -2	160842-21260	4	25		6	10
114350-12200	3	4	114368-13500	3	18	160910-01740	1	26 -1		7	58
	11	49	114368-13510	3	20	181130-76680	7	53	26106-060162	6	10 -1
114350-12201	3	4 -1	114368-92300	11	14	181130-76700	7	54	26106-060202	6	44
	11	49 -1	114650-55810	9	23	183250-07110	11	22		10	38
114350-14400	4	8	119660-77710	10	33	183250-07120	11	23	26106-060252	1	35
114350-14450	4	8 -2	121450-61520	6	16	183250-07230	11	25		3	13
114350-14900	4	8 -1A	124550-51350	8	18	183250-51200	8	7		10	39
114350-21400	4	29	124722-59050	9	10	183250-51400	8	9	26106-060452	6	45
114350-22300	5	32			183250-66050	6	31	26106-060552	2	43	
114350-22301	5	32 -1	124950-01250	1	9	183250-66070	6	32	26106-060702	10	36
114350-45100	7	4	129100-61850	2	42	183250-66100	6	33	26106-080122	1	50
114350-45101	7	4 -1	135210-61090	6	19	183250-66500	6	30	26106-080202	4	12
114350-45201	7	6	160110-02220	1	44	183350-07120	11	24	26106-080352	1	36
114350-45320	7	9			183350-51200	8	8	26106-080452	2	31	
114350-45340	7	11			183350-51400	8	10		9	26	
114350-53000	8	27	160120-76940	7	13	183720-55210	7	12	26106-100122	1	60
114350-55120	9	15	160210-02220	1	45	22117-060000	9	24	26106-100302	10	40
114350-55150	9	9	160260-76520	7	30	22117-080000	9	25	26116-040088	6	46
114350-55230	9	19	160260-76530	7	32	22137-080000	6	18	26116-060454	11	9
114350-55231	9	19 -1	160260-76540	7	35	22252-000170	5	33	26116-080454	11	10
114350-59800	9	35	160260-76550	7	37	22252-000190	5	33 -1	26216-080182	2	32
114350-66011	6	21	160260-76560	7	38				26226-060142	3	14
114350-76590	7	56	160260-76570	7	42				26226-060182	1	37
114350-92301	11	16	160260-76580	7	43	22252-000210	5	34 -1	26226-060222	1	38
114350-92311	11	18	160260-76590	7	44	22312-030080	5	50	26226-060502	2	33
114350-92350	11	20	160260-76600	7	46	22312-030160	2	41	26226-060552	2	34
114350-99100	1	57 -2	160260-76610	7	47				26346-060002	6	47
114350-99120	1	61	160260-76620	7	49	22312-080120	1	34	26366-060002	1	39
114351-21590	4	37	160260-76630	7	51	22351-020006	8	22		2	35
114351-77010	10	2	160290-76570	7	41	22351-030008	8	23		3	15
114351-77500	10	26	160310-14550	4	24	22351-040008	2	30		9	27
114351-77540	10	31	160330-92730	11	2	22451-060000	6	43		3	25
114351-77620	10	34	160642-21150	4	19	22512-040120	4	18	26366-080002	3	25
			160642-21250	4	21	22512-050300	4	10	26476-060142	6	6

Parts No. Index

Parts No.	Fig. No.	Ref. No.
26476-060142	6	48
	7	14
	9	28
	10	45
26476-060202	7	15
	10	46
26476-060252	7	16
26577-060142	10	47
26696-100002	6	38
		49
26716-060002	11	11
26716-080002	11	12
26756-060002	2	28
	6	29
	6	39
26757-060002	2	13
27310-060001	11	3
28110-100120	11	4
28110-140170	11	5
28210-000150	10	28
29220-083200	10	32
29411-150000	1	40
43400-500490	11	42
714250-11570	2	12
714250-12560	3	6
714250-14581	4	2
714250-21701	4	14
714250-22501	5	8
714250-22502	5	8 -1
714250-22542	5	18
714250-22550	5	28
714250-22580	5	24
714250-22610	5	39
714250-22624	5	14 -1
714250-22724	5	4 -2
714250-22740	5	36
714250-22820	5	42
714250-23600	5	51
714250-23610	5	54
714250-23620	5	56
714250-23703	5	44 -2
714250-23781	5	1
714250-23790	5	11
714250-23800	5	21
714250-28511	4	39
714250-53101	8	24
714250-61500	6	11
714250-61700	6	14
714250-76820	7	19
714250-76830	7	23

Parts No.	Fig. No.	Ref. No.
714250-92600	11	32
714250-92601	11	32 -1
714250-92602	11	32 -2
714251-01563	1	55 -4
714260-14581	4	1
714260-22580	5	24 -1
714260-22610	5	38
714260-22620	5	14 -2
714260-22720	5	4 -3
714260-22740	5	35
714260-22820	5	41
714260-23780	5	1 -1
714260-23790	5	11 -1
714260-23800	5	21 -1
714260-76820	7	18
714260-76830	7	22
714268-21700	4	13
714268-55700	9	1
714268-55701	9	1 -1
714268-66500	6	25
714350-14580	4	4
714350-21701	4	16
714350-22501	5	9
714350-22502	5	9 -1
714350-22542	5	19
714350-22550	5	29
714350-22580	5	26
714350-22625	5	16 -1
714350-22725	5	6 -4
714350-23600	5	52
714350-23610	5	55
714350-23620	5	57
714350-23704	5	45 -4
714350-23781	5	3
714350-23790	5	13
714350-23800	5	23
714350-28511	4	40
714350-53100	8	25
714350-61500	6	12
714350-76820	7	21
714350-76830	7	25
714350-92600	11	33
714350-92601	11	33 -1
714350-92602	11	33 -2
714351-01564	1	57 -4
714360-14580	4	3
714360-22580	5	25
714360-22625	5	15
714360-22724	5	5 -4
714360-23781	5	2

Parts No.	Fig. No.	Ref. No.
714360-23790	5	12
714360-23800	5	22
714360-76820	7	20
714360-76830	7	24
714368-21700	4	15
714368-55700	9	2
714368-55701	9	2 -1
783250-51701	8	1
783250-51740	8	3
783350-51701	8	2
783350-51740	8	4
X211412105	10	7
X211416603	10	17
X211427501	10	21
X21142835	10	24
X21143215	10	9
X211445504	10	16
X211445508	10	15
X21145312	10	8
X21145352	10	11
		18
X211456013	10	20
X21145867	10	23
X211461008	10	4
X211461104	10	3
X211468005	10	22
X21147155	10	6
X211473002	10	10
X211478006	10	19
X21148110	10	5
X21148313	10	13
X211489001	10	12
X21149314	10	14

Parts No.	Fig. No.	Ref. No.
-----------	----------	----------