

0CW10-M72300EN

# P R E F A C E

1. This parts catalog is the 1st edition of L100N2FF1Z1AAFV for FAST VERDINI.

Pub.No. : 0CW10-G72300

Published : August, 2011

2. Model name

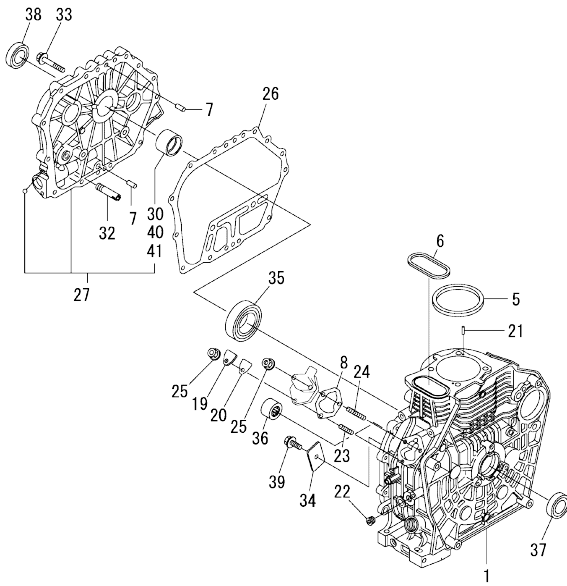
Engine model	Vehicle	Vehicle made by
L100N2FF1Z1AAFV	VIBRATING PLATE	FAST VERDINI

## Contents

0CW10-M72300

Fig. No.	Fig. Name	Fig. No.	Fig. Name
L100N2FF1Z1AAV			
1.	CYLINDER BLOCK		
2.	DRAIN PLUG		
3.	LABEL		
4.	CYLINDER HEAD & BONNET		
5.	AIR CLEANER		
6.	EXHAUST MUFFLER		
7.	CAMSHAFT		
8.	CRANKSHAFT		
9.	FLYWHEEL		
10.	PISTON & CONNECTING ROD		
11.	BALANCER SHAFT		
12.	LUB.OIL PUMP & GOVERNOR		
13.	OIL PRESSURE SWITCH CAP		
14.	COVER		
15.	COOLING FAN CASE		
16.	F.I.PUMP & F.I.VALVE		
17.	FUEL TANK & FUEL PIPE		
18.	SPEED CONTROL DEVICE		
19.	RECOIL STARTER		
20.	TOOL & GASKET SET		

0CW10-M72300 L100N2FF1Z1AAFV  
 Fig.1. CYLINDER BLOCK



0CW10-M72300 Fig.1

(A)=L100N2FF1Z1AAFV  
 (B)=  
 (C)=

(D)=  
 (E)=  
 (F)=

No.	Lev.	Parts No.	Description	Q'ty						I	R
				(A)	(B)	(C)	(D)	(E)	(F)		
1	1	114310-01020	BLOCK ASSY, CYLINDER	1							
5	1	114695-01341	GASKET, HEAD 0.5	1							
6	1	114699-01380	O-RING	1							
7	1	114299-01600	PIN, 8X12	2							
8	1	114299-01800	SHIM SET	1							
19	1	114299-01830	COVER	1							
20	1	114250-01841	GASKET	1							
21	1	22312-040080	PIN, PARALLEL M4X 8	2							
22	1	23875-020000	PLUG, R02	1							
23	1	26226-060182	STUD, M6X 18	1							
24	1	26226-060222	STUD, M6X 22	2							
25	1	26366-060002	NUT, M6	3							
26	1	114699-01410	GASKET, CRANK CASE	1							
27	1	114310-01450	COVER(D, CRANK CASE	1							
30	2	114650-02100	BEARING, MAIN	1							1
32	1	114299-35150	PIPE, OIL INLET	1							
33	1	26106-080352	BOLT, M8X 35 PLATED	16							
34	1	114299-02030	RETAINER, BEARING	1							
35	1	114650-02150	BEARING, HR6308G3C3	1							
36	1	24162-152220	BEARING, 152220	1							
37	1	24423-355008	SEAL, OIL TC355008	1							
38	1	24423-355008	SEAL, OIL TC355008	1							
39	1	26106-080122	BOLT, M8X 12 PLATED	1							
40	1	114650-02200	BEARING, 0.25 US	1							2
41	1	114650-02210	BEARING, 0.50 US	1							3

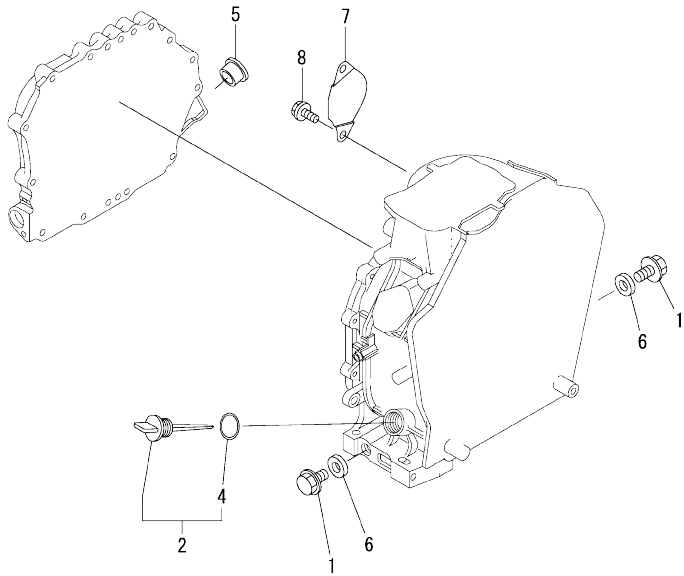
Remarks  
 (1)Spare parts.  
 (2)Under sized(U.S.=0.25)parts.  
 (3)Under sized(U.S.=0.50)parts.

N:Old  $\frac{100}{100}$  New, Q:Old  $\frac{100}{100}$  New, R:Old  $\frac{100}{100}$  New, S:Old  $\frac{100}{100}$  New, W:Add, Z:Discontinued, F:Interchangeable by set, K:Qty Change  
 Copyright (C) YANMAR CO., LTD. All Rights Reserved.

0CW10-M72300 L100N2FF1Z1AAFV

Fig.2. DRAIN PLUG

0CW10-M72300 Fig.2

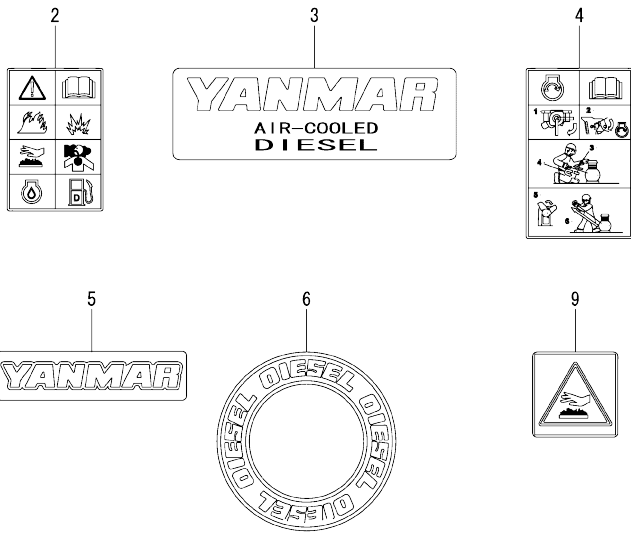


(A)=L100N2FF1Z1AAFV  
(B)=  
(C)=

(D)=  
(E)=  
(F)=

No.	Lev.	Parts No.	Description	Q'ty						I	R
				(A)	(B)	(C)	(D)	(E)	(F)		
1	1	114299-01690	PLUG, DRAIN 16		2						
2	1	114699-01760	CAP ASSY, OIL SUPPLY		1						
4	2	114299-01950	O-RING, 18		1						
5	1	160110-01870	PLUG, RUBBER 22		1						
5-1	1	114940-01870	PLUG, RUBBER 22		1						N
(A=2019.02)											
6	1	22190-160002	WASHER, SEAL 16		2						
7	1	114399-01700	COVER, STARTER		1						
8	1	26106-100122	BOLT, M10X 12 PLATED		2						

Fig.3. LABEL

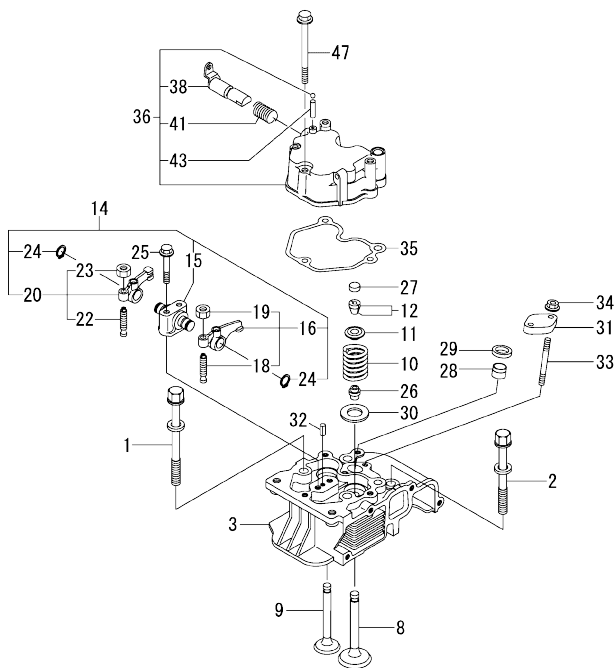


No.	Lev.	Parts No.	Description	Q'ty						I	R
				(A)	(B)	(C)	(D)	(E)	(F)		
2	1	114220-07100	LABEL, CAUTION	1							
3	1	114299-07100	LABEL, AIR COOLED	1							
4	1	114220-07110	LABEL HOW TO START-E	1							
5	1	114299-07110	LABEL, YANMAR	1							
6	1	114299-07160	LABEL, DIESEL	1							
9	1	114220-07130	LABEL, HOT SURFACE	1							

(A)=L100N2FF1Z1AAFV  
(B)=  
(C)=

(D)=  
(E)=  
(F)=

Fig.4. CYLINDER HEAD & BONNET

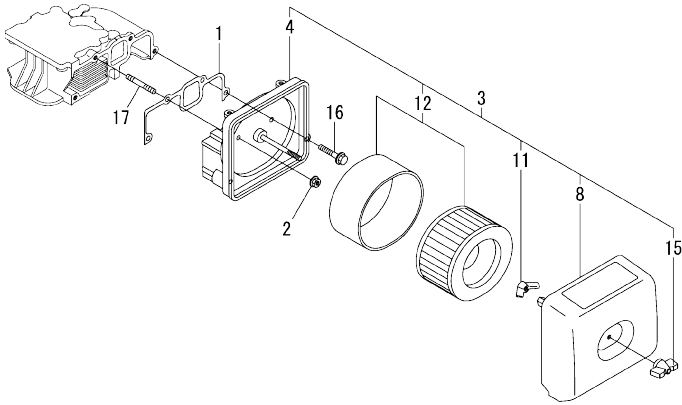


(A)=L100N2FF1Z1AAFV  
(B)=  
(C)=

(D)=  
(E)=  
(F)=

No.	Lev.	Parts No.	Description	Q'ty						I	R
				(A)	(B)	(C)	(D)	(E)	(F)		
1	1	114310-01200	BOLT, CYL HEAD A	2							
2	1	114310-01210	BOLT, CYL HEAD B	2							
3	1	11432C-11020	HEAD ASSY, CYLINDER	1							
8	1	11431C-11100	VALVE, INTAKE	1							
9	1	11431C-11110	VALVE, EXHAUST	1							
10	1	114310-11120	SPRING, VALVE	2							
11	1	114310-11180	RETAINER, SPRING	2							
12	1	114310-11930	COTTER ASSY	2							
14	1	11431C-11250	SUPPORT ASSY, ARM	1							
15	2	11431C-11260	SUPPORT, ROCKER ARM	1							
16	2	11431C-11650	ARM, ROCKER	1							
18	3	114250-11240	SCREW, VALVE ADJUST	1							
19	3	26856-060002	NUT, M6	1							
20	2	11431C-11660	ARM, ROCKER	1							
22	3	114250-11240	SCREW, VALVE ADJUST	1							
23	3	26856-060002	NUT, M6	1							
24	2	22242-000150	RING, 15	2							
25	1	114310-11290	BOLT, SUPPORT	2							
26	1	114650-11341	SEAL, VALVE STEM	2							
27	1	104211-11370	CAP, VALVE	2							
28	1	114240-11450	PROTECTOR, NOZZLE	1							
29	1	114240-11550	SEAT, NOZZLE	1							
30	1	114699-11600	WASHER	2							
31	1	114210-11901	RETAINER, NOZZLE	1							
32	1	22351-040008	PIN, SPRING 4.0X 8	1							
33	1	26226-060552	STUD, M6X 55	2							
34	1	26366-060002	NUT, M6	2							
35	1	114310-11310	GASKET, BONNET	1							
36	1	114310-11950	BONNET ASSY, HEAD	1							
38	2	114210-03590	DECOMPRESSION ASSY	1							
41	2	114299-03640	SPRING, DECOMPRESSION	1							
43	2	22312-030160	PIN, PARALLEL M3X16	1							
47	1	26106-060652	BOLT, M6X 65 PLATED	3							

Fig.5. AIR CLEANER



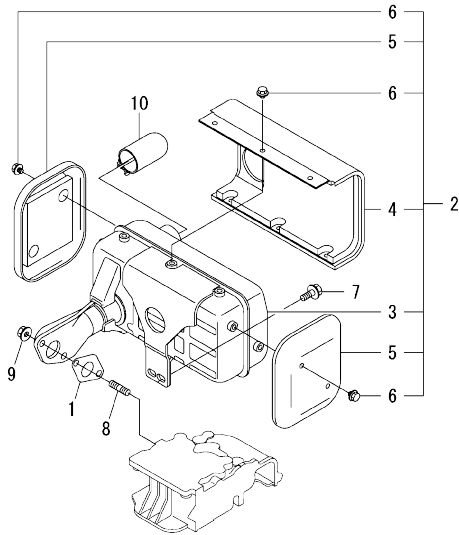
(A)=L100N2FF1Z1AAFV  
(B)=  
(C)=

(D)=  
(E)=  
(F)=

No.	Lev.	Parts No.	Description	Q'ty					
				(A)	(B)	(C)	(D)	(E)	(F)
1	1	114310-12210	GASKET, AIR CLEANER	1					
2	1	114299-12300	NUT	3					
3	1	114320-12550	CLEANER ASSY, AIR	1					
4	2	114310-12010	BODY ASSY, AIR CLNR	1					
8	2	114220-12500	COVER ASSY, AIR CLNR	1					
11	2	114210-12560	NUT, WING	1					
12	2	114210-12590	ELEMENT ASSY	1					
15	2	114210-12600	LOCKING KNOB	1					
16	1	26106-060402	BOLT, M6X 40 PLATED	1					
17	1	26226-060352	STUD, M6X 35	3					



Fig.6. EXHAUST MUFFLER



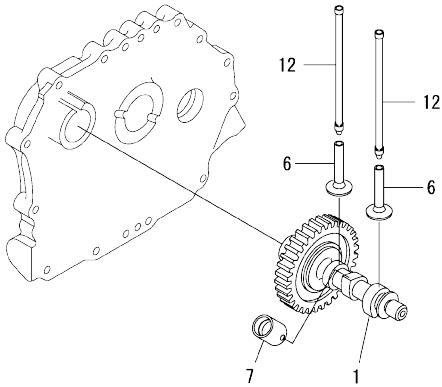
(A)=L100N2FF1Z1AAFV  
(B)=  
(C)=

(D)=  
(E)=  
(F)=

No.	Lev.	Parts No.	Description	Q'ty						I	R
				(A)	(B)	(C)	(D)	(E)	(F)		
1	1	114310-13200	GASKET, MUFFLER	1							
2	1	11431C-13550	MUFFLER ASSY	1							
3	2	11431C-13560	MUFFLER	1							
4	2	11431C-13700	COVER	1							
5	2	11431C-13710	COVER	2							
6	2	11431C-13720	BOLT, M6	10							
7	1	26106-080202	BOLT, M8X 20 PLATED	2							
8	1	26216-080182	STUD, M8X 18	2							
9	1	26366-080002	NUT, M8	2							
10	1	114699-13800	PIPE	1							
10-1	1	114320-13800	DEFLECTOR ASSY, EXH	1							N
(A=ES40273)											

0CW10-M72300 L100N2FF1Z1AAFV

Fig.7. CAMSHAFT



0CW10-M72300 Fig.7

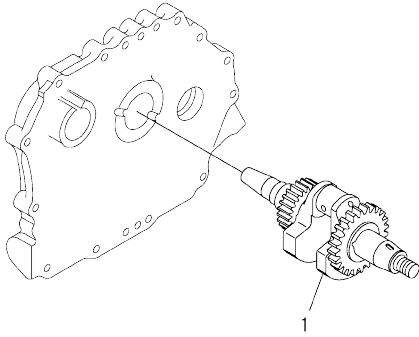
(A)=L100N2FF1Z1AAFV  
(B)=  
(C)=

(D)=  
(E)=  
(F)=

No.	Lev.	Parts No.	Description	Q'ty					
				(A)	(B)	(C)	(D)	(E)	(F)
1	1	71432C-14010	CAMSHAFT ASSY	1					
6	1	114310-14200	TAPPET	2					
7	1	114210-14300	TAPPET ASSY, ROLLER	1					
12	1	114310-14400	ROD ASSY, PUSH	2					

0CW10-M72300 L100N2FF1Z1AAFV

Fig.8. CRANKSHAFT



0CW10-M72300 Fig.8

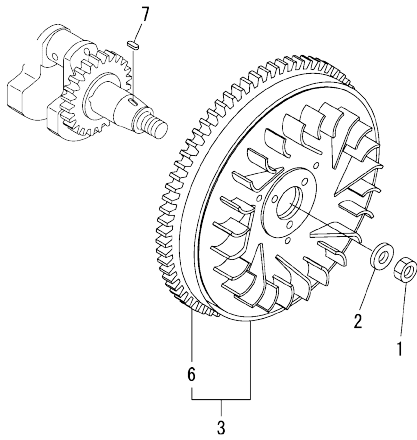
(A)=L100N2FF1Z1AAFV  
(B)=  
(C)=

(D)=  
(E)=  
(F)=

No.	Lev.	Parts No.	Description	Q'ty						I	R
				(A)	(B)	(C)	(D)	(E)	(F)		
1	1	114310-21760	CRANKSHAFT ASSY,E-DI	1							

0CW10-M72300 L100N2FF1Z1AAFV

Fig.9. FLYWHEEL



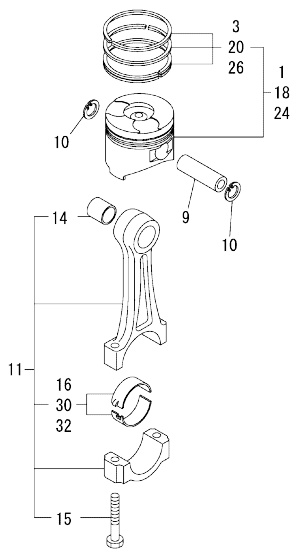
0CW10-M72300 Fig.9

(A)=L100N2FF1Z1AAFV  
(B)=  
(C)=

(D)=  
(E)=  
(F)=

No.	Lev.	Parts No.	Description	Q'ty					
				(A)	(B)	(C)	(D)	(E)	(F)
1	1	114699-21220	NUT	1					
2	1	114699-21550	WASHER	1					
3	1	114699-21600	FLYWHEEL ASSY, DE	1					
6	2	114699-21630	RING, GEAR	1					
7	1	22512-050140	KEY, 5X 14	1					

Fig.10. PISTON & CONNECTING ROD



(A)=L100N2FF1Z1AAFV  
(B)=  
(C)=

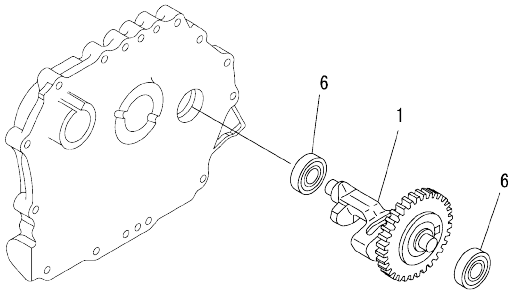
(D)=  
(E)=  
(F)=

No.	Lev.	Parts No.	Description	Q'ty						
				(A)	(B)	(C)	(D)	(E)	(F)	
1	1	714320-22720	PISTON W/RINGS (D)	1						
3	2	714310-22500	RING SET, PISTON	1						
9	1	114699-22300	PIN, PISTON D=23	1						
10	1	114310-22500	SEEGER RING, J23	2						
11	1	71431C-23010	ROD ASSY, CONNECTING	1						
14	2	124060-23100	BEARING, PISTON PIN	1						
15	2	114310-23200	BOLT, CONNECTING ROD	2						
16	2	714650-23600	BEARING, CRANK PIN	1						
18	1	714320-22620	PISTON W/RING .25OS	1						1
20	2	714310-22540	RING SET O.S=0.25	1						1
24	1	714320-22580	PISTON W/RING .50OS	1						2
26	2	714310-22550	RING SET O.S=0.50	1						2
30	1	714650-23610	BEARING ASSY, 0.25	1						3
32	1	714650-23620	BEARING, 0.50 US	1						4

Remarks

- (1)Over sized(O.S=0.25)parts.
- (2)Over sized(O.S=0.50)parts.
- (3)Under sized(U.S=0.25)parts.
- (4)Under sized(U.S=0.50)parts.

0CW10-M72300 L100N2FF1Z1AAFV  
 Fig.11. BALANCER SHAFT



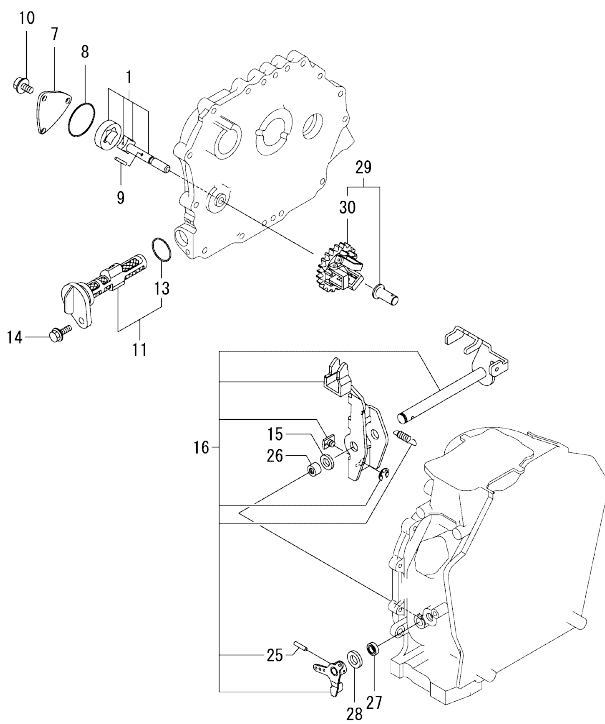
0CW10-M72300 Fig.11

No.	Lev.	Parts No.	Description	Q'ty						I	R		
				(A)	(B)	(C)	(D)	(E)	(F)				
1	1	714310-28510	SHAFT ASSY, BALANCER				1						
6	1	24101-063040	BEARING, BALL 6304C3				2						

(A)=L100N2FF1Z1AAFV  
 (B)=  
 (C)=

(D)=  
 (E)=  
 (F)=

Fig.12. LUB.OIL PUMP & GOVERNOR



(A)=L100N2FF1Z1AAFV  
(B)=  
(C)=

(D)=  
(E)=  
(F)=

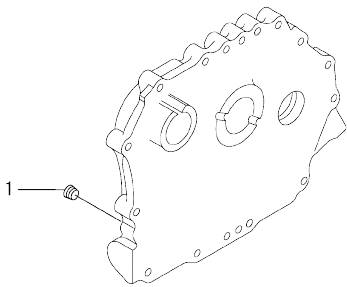
No.	Lev.	Parts No.	Description	Q'ty						I	R
				(A)	(B)	(C)	(D)	(E)	(F)		
1	1	114650-32010	PUMP ASSY, OIL	1							
7	1	114299-32070	COVER	1							
8	1	114299-32570	O-RING	1							
9	1	22312-030160	PIN, PARALLEL M3X16	1							
10	1	26106-060122	BOLT, M6X 12 PLATED	3							
11	1	114299-35110	FILTER ASSY, OIL	1							
13	2	24341-000224	O-RING, 1AS22.4	1							
14	1	26106-060162	BOLT, M6X 16 PLATED	1							
15	1	114299-61190	WASHER	1							
16	1	114311-61500	LEVER ASSY, GOVERNOR	1							1
25	2	22322-030200	PIN, TAPER 3X20	1							
26	1	114770-61520	BEARING, NEEDLE	2							
27	1	114299-61600	SEAL, OIL	1							
28	1	114770-61610	WASHER, THRUST	1							
29	1	714210-61701	GOVERNOR ASSY	1							
30	2	114210-61290	WEIGHT ASSY, GOVERNOR	1							

Remarks

(1) On a guarantee of quality component parts shall not be sold.

0CW10-M72300 L100N2FF1Z1AAFV

Fig.13. OIL PRESSURE SWITCH CAP



0CW10-M72300 Fig.13

(A)=L100N2FF1Z1AAFV  
(B)=  
(C)=

(D)=  
(E)=  
(F)=

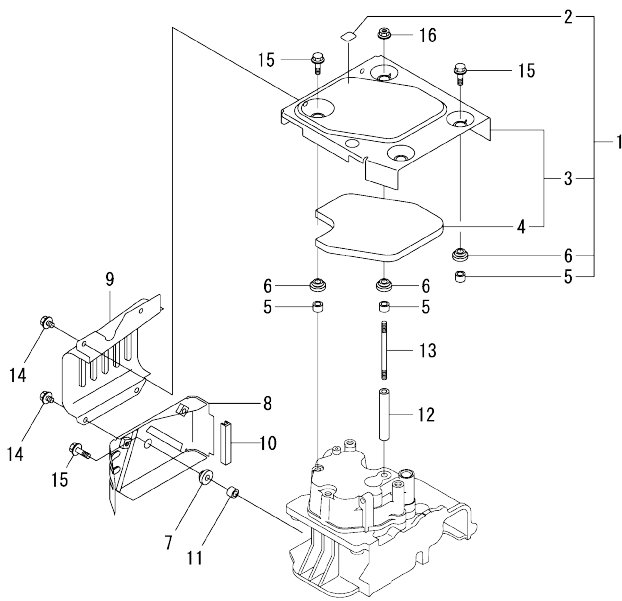
No.	Lev.	Parts No.	Description	Q'ty						I	R
				(A)	(B)	(C)	(D)	(E)	(F)		
1	1	23876-010000	PLUG, R01	1							



Fig.14. COVER

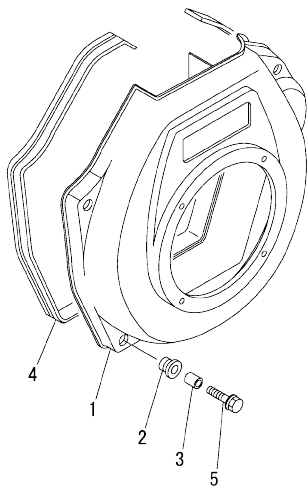
(A)=L100N2FF1Z1AAFV  
(B)=  
(C)=

(D)=  
(E)=  
(F)=



No.	Lev.	Parts No.	Description	Q'ty						I	R
				(A)	(B)	(C)	(D)	(E)	(F)		
1	1	11432C-45200	TOP COVER ASSY	1							
2	2	114220-07120	LABEL, DECOMPRESSION	1							
3	2	11431C-45300	COVER	1							
4	3	11431C-45310	INSULATOR, NOISE	1							
5	2	114350-45340	COLLAR	4							
6	2	183720-55210	GROMMET	4							
7	1	114299-45220	GROMMET	1							
8	1	11431C-45260	COVER	1							
9	1	11431C-45270	COVER	1							
10	1	114399-45320	RUBBER, SEAL	1							
11	1	114399-45340	COLLAR	1							
12	1	114310-45350	SPACER, TOP COVER	1							
13	1	114310-45360	STUD BOLT, TOP COVER	1							
14	1	26106-060082	BOLT, M6X 8 PLATED	4							
15	1	26106-060202	BOLT, M6X 20 PLATED	4							
16	1	26366-060002	NUT, M6	1							

Fig.15. COOLING FAN CASE

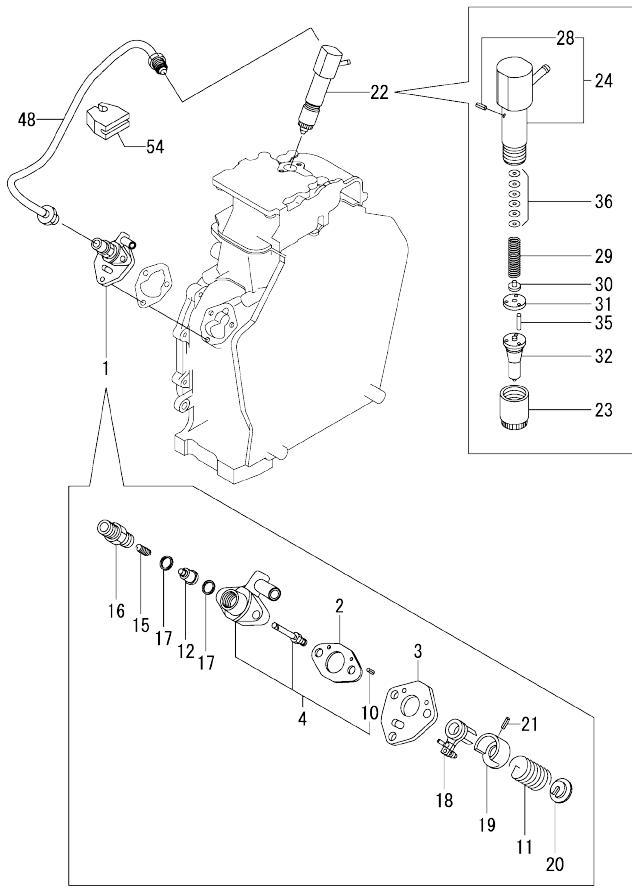


(A)=L100N2FF1Z1AAFV  
(B)=  
(C)=

(D)=  
(E)=  
(F)=

No.	Lev.	Parts No.	Description	Qty						I	R	
				(A)	(B)	(C)	(D)	(E)	(F)			
1	1	11431C-45100	CASE, COOLING FAN	1								
2	1	114299-45301	RUBBER, CUSHION	4								
3	1	114299-45310	COLLAR	4								
4	1	114699-45331	SEAL, FAN CASE	1								
5	1	114299-45350	BOLT, FAN CASE	4								

Fig.16. F.I.PUMP & F.I.VALVE

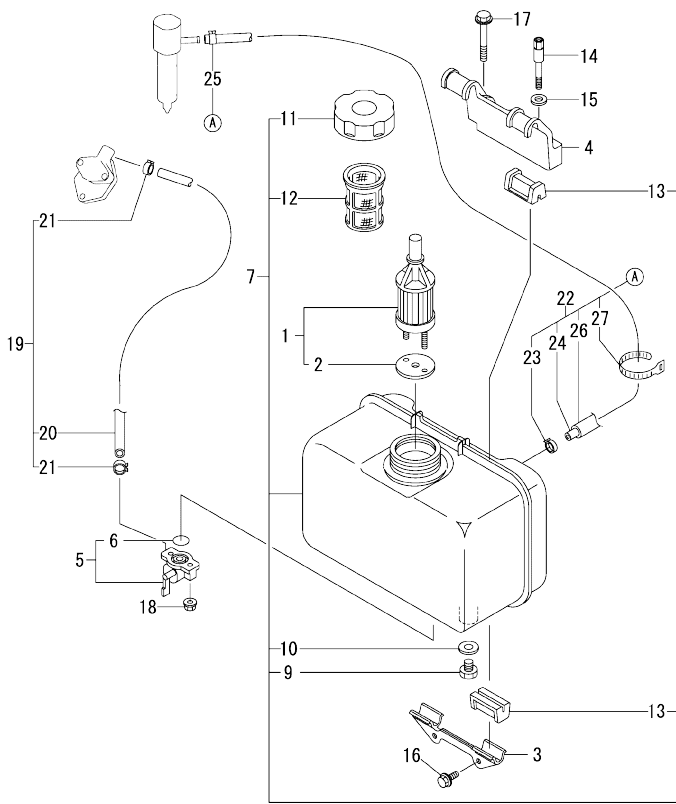


(A)=L100N2FF1Z1AAFV  
(B)=  
(C)=

(D)=  
(E)=  
(F)=

No.	Lev.	Parts No.	Description	Q'ty					
				(A)	(B)	(C)	(D)	(E)	(F)
1	1	714339-51200	F.I.PUMP ASSY	1					
2	2	105546-51020	GASKET	1					
3	2	114250-51080	PLATE	1					
4	2	114339-51100	BODY ASSY, PUMP	1					
10	4	22351-020006	PIN, SPRING 2.0X 6	2					
11	2	114250-51160	SPRING, PLUNGER	1					
12	2	114650-51300	VALVE ASSY, DELIVERY	1					
15	2	105546-51330	SPRING, DELIVERY	1					
16	2	114250-51340	HOLDER, DELIVERY	1					
17	2	124550-51350	GASKET, DELIVERY	2					
18	2	114250-51600	LEVER ASSY, CONTROL	1					
19	2	114250-51640	SEAT, SPRING A	1					
20	2	114250-51650	SEAT, SPRING B	1					
21	2	22351-030008	PIN, SPRING 3.0X 8	1					
22	1	714339-53200	VALVE ASSY, INJECTION	1					
23	2	114250-53080	NUT, NOZZLE D16.95	1					
24	2	114339-53100	HOLDER ASSY, NOZZLE	1					
28	3	22351-025005	PIN, SPRING 2.5X 6	1					
29	2	114250-53120	SPRING, NOZZLE	1					
30	2	114250-53130	SEAT, SPRING	1					
31	2	114250-53140	PLATE	1					
32	2	114339-53200	VALVE ASSY, INJECTION	1					
35	2	114250-53210	PIN	2					
36	2	114250-53400	SHIM SET	1					
48	1	114310-59800	PIPE ASSY, INJECTION	1					
54	1	114699-59850	SUPPORT, PIPE	1					

Fig.17. FUEL TANK & FUEL PIPE



(A)=L100N2FF1Z1AAFV  
(B)=  
(C)=

(D)=  
(E)=  
(F)=

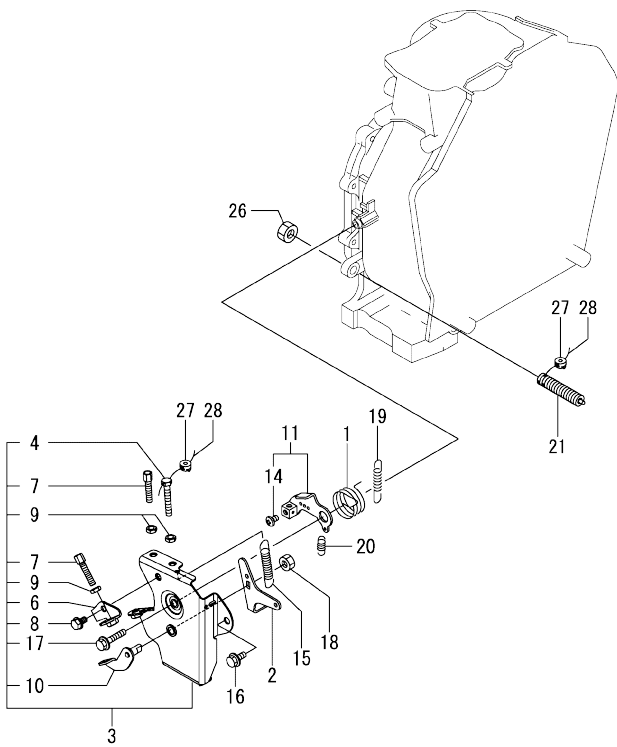
No.	Lev.	Parts No.	Description	Qty						I	R
				(A)	(B)	(C)	(D)	(E)	(F)		
1	1	114250-55121	FILTER ASSY, FUEL	1							
2	2	114250-55130	GASKET	1							
3	1	114210-55210	STAY, FUEL TANK A	1							
4	1	114310-55230	STAY, FUEL TANK B	1							
5	1	114250-55301	COCK ASSY, FUEL	1							
6	2	24341-000150	O-RING, 1AS15.0	1							
7	1	11431C-55710	TANK ASSY, FUEL	1							
9	2	114299-55080	PLUG, DRAIN	1							
10	2	23414-080000	GASKET, 8X1.0	1							
11	2	114299-55040	CAP ASSY, FUEL TANK	1							
12	2	114299-55100	ELEMENT, FUEL FILTER	1							
13	2	114250-55201	DAMPER, FUEL TANK	4							
14	1	114210-55810	BOLT, LIFTING	1							
15	1	22117-080000	WASHER, 8	1							
16	1	26106-060162	BOLT, M6X 16 PLATED	2							
17	1	26106-080452	BOLT, M8X 45 PLATED	1							
18	1	26366-060002	NUT, M6	2							
19	1	114780-59010	PIPE ASSY, FUEL L50	1							
20	2	114780-59060	PIPE, FUEL L=50	1							
21	2	23080-014000	CLAMP, 14	2							
22	1	114339-59300	PIPE ASSY, RETURN	1							
22-1	1	114339-59301	PIPE ASSY, FO RETURN	1							N
		(A=2019.03)									
23	2	124722-59050	CLAMP, HOSE 9	1							
24	2	114310-59060	PIPE, FUEL RETURN	1							
24-1	2	114310-59061	PIPE, FO RETURN	1							N
		(A=2019.03)									
25	2	124066-59100	CLAMP, HOSE 8	1							
26	2	114310-59310	HOSE, PROTECTION	1							
27	2	121750-59890	BAND, NYLON	1							

Fig.18. SPEED CONTROL DEVICE

(A)=L100N2FF1Z1AAFV  
(B)=  
(C)=

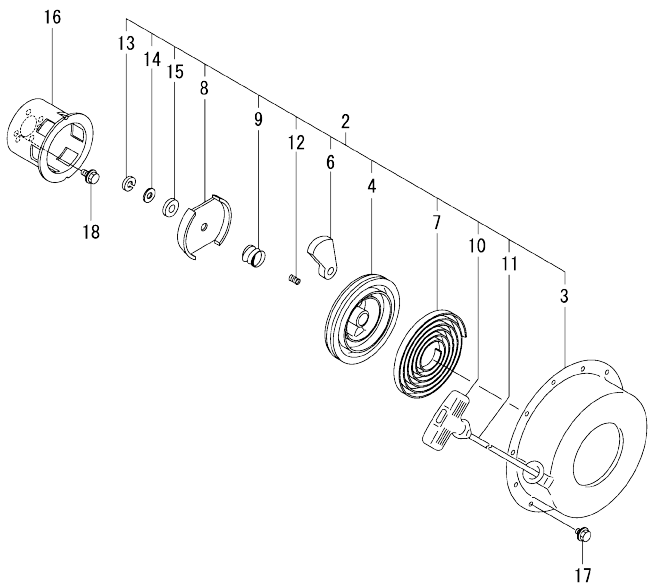
(D)=  
(E)=  
(F)=

No.	Lev.	Parts No.	Description	Q'ty						I	R
				(A)	(B)	(C)	(D)	(E)	(F)		
1	1	114299-66250	SPRING, RETURN	1							
2	1	114299-66920	LEVER, STOP	1							
3	1	714299-66921	SPEED CONTROL TP 02	1							
4	2	114299-66440	BOLT, ADJUSTING	1							
6	2	114299-66950	STAY, STOP CABLE	1							
7	2	114299-67080	BOLT, ADJUSTING	2							
8	2	26106-060102	BOLT, M6X 10 PLATED	1							
9	2	26757-060002	NUT, LOCK M6	3							
10	1	114299-66932	LEVER, STOP-IN	1							
11	1	114299-66940	LEVER ASSY,REGULATOR	1							
14	2	26117-050089	BOLT, M5X 8 PLATED	1							
15	1	114310-66950	SPRING, STOP TILLER	1							
16	1	26106-060142	BOLT, M6X 14 PLATED	1							
17	1	26106-060302	BOLT, M6X 30 PLATED	1							
18	1	26757-080002	NUT, LOCK M8	1							
19	1	114320-66010	SPRING, REGULATOR	1							
20	1	114299-66200	SPRING, RETURN	1							
21	1	114211-66600	LIMITER ASSY, FUEL	1							
26	1	26776-100002	NUT, LOCK M10	1							
27	1	114780-61090	TIN	2							
28	1	22451-060000	WIRE, 0.6	2							



0CW10-M72300 L100N2FF1Z1AAFV  
 Fig.19. RECOIL STARTER

0CW10-M72300 Fig.19



(A)=L100N2FF1Z1AAFV  
 (B)=  
 (C)=

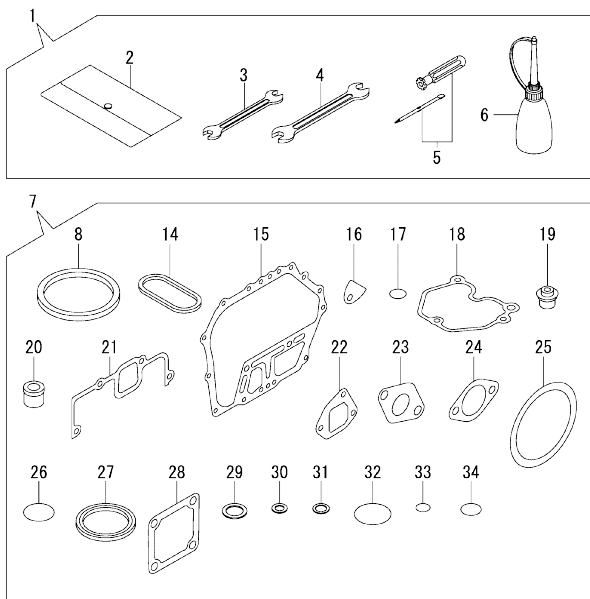
(D)=  
 (E)=  
 (F)=

No.	Lev.	Parts No.	Description	Q'ty						I	R
				(A)	(B)	(C)	(D)	(E)	(F)		
2	2	114699-76251	RECOIL ASSY	1							
3	3	114699-76510	CASE, STARTER	1							
4	3	114699-76521	REEL, RECOIL	1							
6	3	114699-76531	RATCHET	2							
7	3	114399-76540	SPRING, SPIRAL	1							
8	3	114699-76551	GUIDE, RATCHET	1							
9	3	114699-76560	SPRING, FRICTION	1							
10	3	114399-76620	KNOB, STARTER	1							
11	3	114699-76630	ROPE, STARTER	1							
12	3	114699-76650	SPRING, RETURN	1							
13	3	114699-76660	CIRCLIP	1							
14	3	114699-76670	WASHER	1							
15	3	114699-76680	WASHER	1							
16	2	114699-76592	PULLEY, STARTER	1							
17	1	26106-060082	BOLT, M6X 8 PLATED	4							
18	1	26106-060122	BOLT, M6X 12 PLATED	3							

Fig.20. TOOL & GASKET SET

(A)=L100N2FF1Z1AAFV  
(B)=  
(C)=

(D)=  
(E)=  
(F)=



No.	Lev.	Parts No.	Description	Q'ty						I	R
				(A)	(B)	(C)	(D)	(E)	(F)		
1	1	114299-92590	BOX, TOOL	1							
2	2	114299-92600	BAG, TOOL	1							
3	2	114299-92710	WRENCH	1							
4	2	114299-92720	WRENCH	1							
5	2	114299-92730	DRIVER	1							
6	2	114299-92740	DIPSTICK	1							
7	1	114320-92600	GASKET SET	1							1
8	2	114695-01331	GASKET, HEAD	1							
14	2	114699-01380	O-RING	1							
15	2	114699-01410	GASKET, CRANK CASE	1							
16	2	114250-01841	GASKET	1							
17	2	114299-01950	O-RING, 18	2							
18	2	114310-11310	GASKET, BONNET	1							
19	2	114650-11341	SEAL, VALVE STEM	2							
20	2	114771-11461	GASKET, NOZZLE	1							
21	2	114310-12210	GASKET, AIR CLEANER	1							
22	2	114699-12210	GASKET, AIR CLEANER	2							
23	2	114310-13200	GASKET, MUFFLER	1							
24	2	183671-13211	GASKET, PIPE	1							
25	2	114399-21980	GASKET	1							
26	2	114299-32570	O-RING	1							
27	2	160393-55050	GASKET	4							
28	2	129100-77510	GASKET, AIR HEATER	3							
29	2	22190-160002	WASHER, SEAL 16	2							
30	2	23414-080000	GASKET, 8X1.0	1							
31	2	23414-120000	GASKET, 12X1.0	1							
32	2	24311-000400	O-RING, 1AP40.0	1							
33	2	24341-000150	O-RING, 1AS15.0	2							
34	2	24341-000224	O-RING, 1AS22.4	1							

Remarks

(1)Optional parts.

## Parts No. Index

Parts No.	Fig. No.	Ref. No.	Parts No.	Fig. No.	Ref. No.	Parts No.	Fig. No.	Ref. No.	Parts No.	Fig. No.	Ref. No.
104211-11370	4	27	114299-07160	3	6	114310-23200	10	15	114650-11341	20	19
105546-51020	16	2	114299-12300	5	2	114310-45350	14	12	114650-32010	12	1
105546-51330	16	15	114299-32070	12	7	114310-45360	14	13	114650-51300	16	12
114210-03590	4	38	114299-32570	12	8	114310-55230	17	4	114695-01331	20	8
114210-11901	4	31		20	26	114310-59060	17	24	114695-01341	1	5
114210-12560	5	11	114299-35110	12	11	114310-59061	17	24 -1	114699-01380	1	6
114210-12590	5	12	114299-35150	1	32	114310-59310	17	26		20	14
114210-12600	5	15	114299-45220	14	7	114310-59800	16	48	114699-01410	1	26
114210-14300	7	7	114299-45301	15	2	114310-66950	18	15		20	15
114210-55210	17	3	114299-45310	15	3	114311-61500	12	16	114699-01760	2	2
114210-55810	17	14	114299-45350	15	5	11431C-11100	4	8	114699-11600	4	30
114210-61290	12	30	114299-55040	17	11	11431C-11110	4	9	114699-12210	20	22
114211-66600	18	21	114299-55080	17	9	11431C-11250	4	14	114699-13800	6	10
114220-07100	3	2	114299-55100	17	12	11431C-11260	4	15	114699-21220	9	1
114220-07110	3	4	114299-61190	12	15	11431C-11650	4	16	114699-21550	9	2
114220-07120	14	2	114299-61600	12	27	11431C-11660	4	20	114699-21600	9	3
114220-07130	3	9	114299-66200	18	20	11431C-13550	6	2	114699-21630	9	6
114220-12500	5	8	114299-66250	18	1	11431C-13560	6	3	114699-22300	10	9
114240-11450	4	28	114299-66440	18	4	11431C-13700	6	4	114699-45331	15	4
114240-11550	4	29	114299-66920	18	2	11431C-13710	6	5	114699-59850	16	54
114250-01841	1	20	114299-66932	18	10	11431C-13720	6	6	114699-76251	19	2
	20	16	114299-66940	18	11	11431C-45100	15	1	114699-76510	19	3
114250-11240	4	18	114299-66950	18	6	11431C-45260	14	8	114699-76521	19	4
	22		114299-67080	18	7	11431C-45270	14	9	114699-76531	19	6
114250-51080	16	3	114299-92590	20	1	11431C-45300	14	3	114699-76551	19	8
114250-51160	16	11	114299-92600	20	2	11431C-45310	14	4	114699-76560	19	9
114250-51340	16	16	114299-92710	20	3	11431C-55710	17	7	114699-76592	19	16
114250-51600	16	18	114299-92720	20	4	114320-12550	5	3	114699-76630	19	11
114250-51640	16	19	114299-92730	20	5	114320-13800	6	10 -1	114699-76650	19	12
114250-51650	16	20	114299-92740	20	6	114320-66010	18	19	114699-76660	19	13
114250-53080	16	23	114310-01020	1	1	114320-92600	20	7	114699-76670	19	14
114250-53120	16	29	114310-01200	4	1	11432C-11020	4	3	114699-76680	19	15
114250-53130	16	30	114310-01210	4	2	11432C-45200	14	1	114770-61520	12	26
114250-53140	16	31	114310-01450	1	27	114339-51100	16	4	114770-61610	12	28
114250-53210	16	35	114310-11120	4	10	114339-53100	16	24	114771-11461	20	20
114250-53400	16	36	114310-11180	4	11	114339-53200	16	32	114780-59010	17	19
114250-55121	17	1	114310-11290	4	25	114339-59300	17	22	114780-59060	17	20
114250-55130	17	2	114310-11310	4	35	114339-59301	17	22 -1	114780-61090	18	27
114250-55201	17	13		20	18	114350-45340	14	5	114940-01870	2	5 -1
114250-55301	17	5	114310-11930	4	12	114399-01700	2	7	121750-59890	17	27
114299-01600	1	7	114310-11950	4	36	114399-21980	20	25	124060-23100	10	14
114299-01690	2	1	114310-12010	5	4	114399-45320	14	10	124066-59100	17	25
114299-01800	1	8	114310-12210	5	1	114399-45340	14	11	124550-51350	16	17
114299-01830	1	19		20	21	114399-76540	19	7	124722-59050	17	23
114299-01950	2	4	114310-13200	6	1	114399-76620	19	10	129100-77510	20	28
	20	17		20	23	114650-02100	1	30	160110-01870	2	5
114299-02030	1	34	114310-14200	7	6	114650-02150	1	35	160393-55050	20	27
114299-03640	4	41	114310-14400	7	12	114650-02200	1	40	183671-13211	20	24
114299-07100	3	3	114310-21760	8	1	114650-02210	1	41	183720-55210	14	6
114299-07110	3	5	114310-22500	10	10	114650-11341	4	26	22117-080000	17	15



## Parts No. Index

Parts No.	Fig. No.	Ref. No.
22190-160002	2	6
	20	29
22242-000150	4	24
22312-030160	4	43
	12	9
22312-040080	1	21
22322-030200	12	25
22351-020006	16	10
22351-025005	16	28
22351-030008	16	21
22351-040008	4	32
22451-060000	18	28
22512-050140	9	7
23080-014000	17	21
23414-080000	17	10
	20	30
23414-120000	20	31
23875-020000	1	22
23876-010000	13	1
24101-063040	11	6
24162-152220	1	36
24311-000400	20	32
24341-000150	17	6
	20	33
24341-000224	12	13
	20	34
24423-355008	1	37
		38
26106-060082	14	14
	19	17
26106-060102	18	8
26106-060122	12	10
	19	18
26106-060142	18	16
26106-060162	12	14
	17	16
26106-060202	14	15
26106-060302	18	17
26106-060402	5	16
26106-060652	4	47
26106-080122	1	39
26106-080202	6	7
26106-080352	1	33
26106-080452	17	17
26106-100122	2	8
26117-050089	18	14
26216-080182	6	8
26226-060182	1	23
26226-060222	1	24
26226-060352	5	17

Parts No.	Fig. No.	Ref. No.
26226-060552	4	33
26366-060002	1	25
	14	16
	17	18
26366-080002	6	9
26757-060002	18	9
26757-080002	18	18
26776-100002	18	26
26856-060002	4	19
		23
714210-61701	12	29
714299-66921	18	3
714310-22500	10	3
714310-22540	10	20
714310-22550	10	26
714310-28510	11	1
71431C-23010	10	11
714320-22580	10	24
714320-22620	10	18
714320-22720	10	1
71432C-14010	7	1
714339-51200	16	1
714339-53200	16	22
714650-23600	10	16
714650-23610	10	30
714650-23620	10	32

Parts No.	Fig. No.	Ref. No.
-----------	----------	----------

Parts No.	Fig. No.	Ref. No.
-----------	----------	----------