

OCR10-M73000EN

Introduction

1. This parts catalog is a first edition of the L100N6FA1P1AAID, L100N6FF1P1AAID Diesel engine for Italian Dealers.

	Parts catalog No.	Date of issue	Remarks
First edition	000Y00R7300	May, 2008	

2. This parts catalog does not contain the technical data needed for maintenance service.

3. The illustrations used in this parts catalog have been simplified for clarity.

4. The contents of this parts catalog are subject to change without notice.

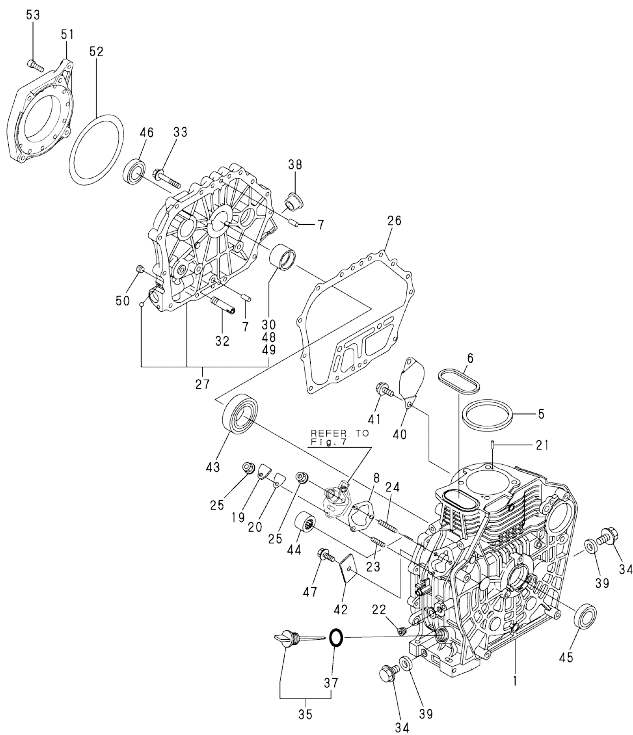
5. Be sure to use only Yanmar genuine parts for repairs. If imitation parts are used, it may cause engine defects.

Contents

OCR10-M73000

Fig. No.	Fig. Name	Fig. No.	Fig. Name
L100N6(FA/FF)1P1AAID			
1.	CYLINDER BLOCK		
2.	CYLINDER HEAD & BONNET		
3.	AIR CLEANER & MUFFLER		
4.	CRANKSHAFT, PISTON & CAMSHAFT		
5.	LUB.OIL PUMP & GOVERNOR		
6.	COOLING & STARTING DEVICE		
7.	F.I.PUMP & F.I.VALVE		
11.	7A F.I.PUMP & F.I.VALVE		
8.	FUEL TANK & FUEL PIPE		
9.	STARTING MOTOR & DYNAMO		
10.	TOOL, LABEL & GASKET SET		

Fig.1. CYLINDER BLOCK



(A)=L100N6FA1P1AAID
(B)=L100N6FF1P1AAID
(C)=

(D)=
(E)=
(F)=

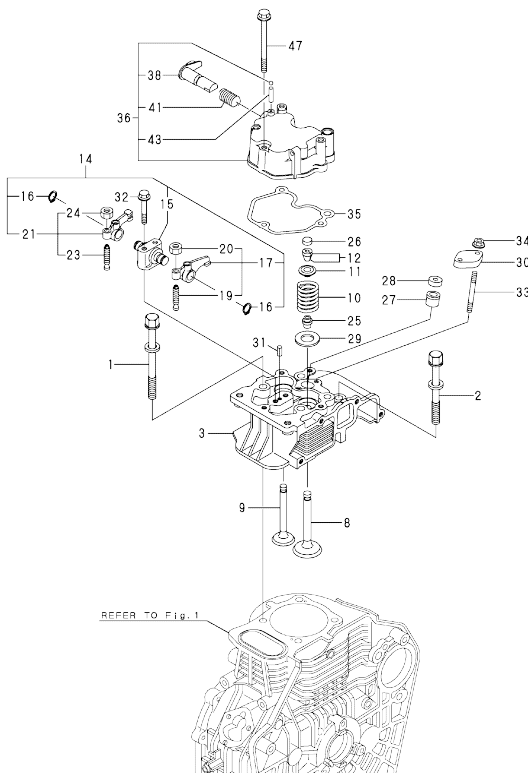
No.	Lev.	Parts No.	Description	Q'ty						I	R
				(A)	(B)	(C)	(D)	(E)	(F)		
1	1	114310-01020	BLOCK ASSY, CYLINDER	1	1						
5	1	114695-01340	GASKET, HEAD T=0.5	1	1						
6	1	114699-01380	O-RING, TAPPET	1	1						
7	1	114299-01600	PIN, PARALLEL 8X12	2	2						
8	1	114299-01800	SHIM SET, PUMP	1	1						
19	1	114299-01830	COVER, PUMP	1	1						
20	1	114250-01841	GASKET, COVER	1	1						
21	1	22312-040080	PIN, PARALLEL M4X 8	2	2						
22	1	23875-020000	PLUG, R02	1	1						
23	1	26226-060182	STUD, M6X 18	1	1						
24	1	26226-060222	STUD, M6X 22	2	2						
25	1	26366-060002	NUT, M6	3	3						
26	1	114699-01410	GASKET, CASE COVER	1	1						
27	1	114310-01450	COVER, CRANK CASE D	1	1						
30	2	114650-02100	METAL, MAIN	1	1						1
32	1	114299-35150	PIPE, OIL INLET	1	1						
33	1	26106-080352	BOLT, M8X 35 PLATED	16	16						
34	1	114299-01690	PLUG, DRAIN 16	2	2						
35	1	114699-01760	CAP ASSY, OIL SUPPLY	1	1						
37	2	114299-01950	O-RING, 18	1	1						
38	1	160110-01870	PLUG, RUBBER 22	1	1						
38-1	1	114940-01870	PLUG, RUBBER 22	1	1						N
		(A=*2019.02)	(B=*2019.02)								
39	1	22190-160002	WASHER, SEAL 16	2	2						
40	1	114399-01700	COVER, STARTER	1	1						
41	1	26106-100122	BOLT, M10X 12 PLATED	2	2						
42	1	114299-02030	RETAINER, BEARING	1	1						
43	1	114650-02150	BEARING, HR6308G3C3	1	1						
44	1	24162-152220	BEARING, 152220	1	1						
45	1	24423-355008	SEAL, OIL TC355008	1	1						
46	1	24423-355008	SEAL, OIL TC355008	1	1						
47	1	26106-080122	BOLT, M8X 12 PLATED	1	1						
48	1	114650-02200	METAL, MAIN 0.25 US	1	1						2
49	1	114650-02210	METAL, MAIN 0.50 US	1	1						3
50	1	23876-010000	PLUG, R01	1	1						
51	1	114399-21960	FLANGE	1	1						
52	1	114399-21980	GASKET	1	1						
53	1	26453-080252	BOLT, M8X 25	4	4						

Remarks
(1)REPAIR PART.
(2)UNDER SIZED(U.S.=0.25)PART.
(3)UNDER SIZED(U.S.=0.50)PART.

Fig.2. CYLINDER HEAD & BONNET

(A)=L100N6FA1P1AAID
(B)=L100N6FF1P1AAID
(C)=

(D)=
(E)=
(F)=

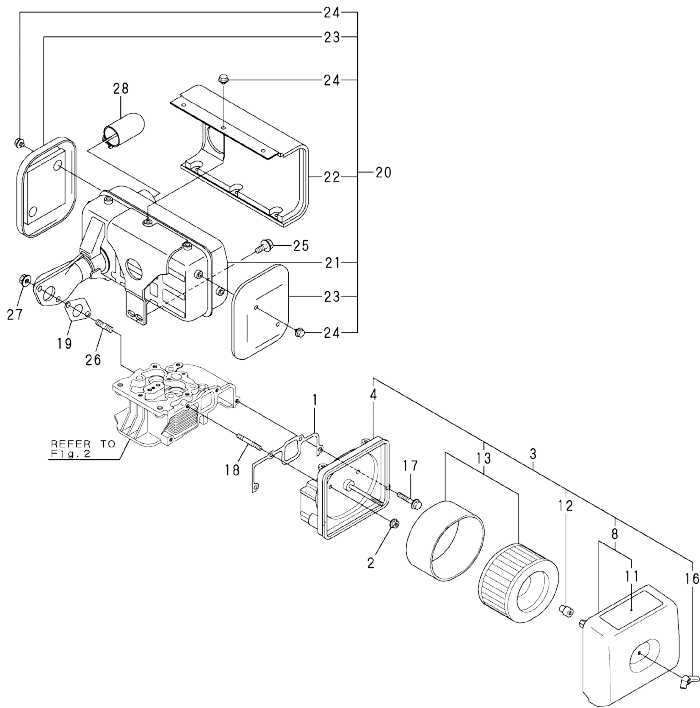


No.	Lev.	Parts No.	Description	Q'ty						I	R
				(A)	(B)	(C)	(D)	(E)	(F)		
1	1	114310-01200	BOLT, CYL HEAD A	2	2						
2	1	114310-01210	BOLT, CYL HEAD B	2	2						
3	1	114320-11020	HEAD ASSY, CYLINDER	1	1						
8	1	114310-11100	VALVE, INTAKE	1	1						
9	1	114310-11110	VALVE, EXHAUST	1	1						
10	1	114310-11120	SPRING, VALVE	2	2						
11	1	114310-11180	RETAINER, SPRING	2	2						
12	1	114310-11930	COTTER ASSY	2	2						
14	1	114310-11250	SUPPORT ASSY, ROCKER	1	1						
15	2	114310-11260	SUPPORT, ROCKER ARM	1	1						
16	2	114310-11280	C TYPE RETAINING RIN	2	2						
17	2	114310-11650	ARM ASSY, INTAKE	1	1						
19	3	114299-11240	SCREW, ADJUSTING	1	1						
20	3	26856-060002	NUT, M6	1	1						
21	2	114310-11660	ARM ASSY, EXHAUST	1	1						
23	3	114299-11240	SCREW, ADJUSTING	1	1						
24	3	26856-060002	NUT, M6	1	1						
25	1	114650-11340	SEAL, VALVE STEM	2	2						
26	1	104211-11370	CAP, VALVE	2	2						
27	1	114771-11461	GASKET, NOZZLE	1	1						S
		(A=EZZZZZ) (B=EZZZZZ)									
27-1	1	114240-11450	PROTECTOR, NOZZLE	1	1						W 1
		(A=EZZZZZ) (B=EZZZZZ)									
28	1	114295-11470	SPACER, NOZZLE	1	1						S
		(A=EZZZZZ) (B=EZZZZZ)									
28-1	1	114240-11550	SEAT, NOZZLE	1	1						W 1
		(A=EZZZZZ) (B=EZZZZZ)									
29	1	114699-11600	WASHER	2	2						
30	1	114210-11901	RETAINER, NOZZLE	1	1						
31	1	22351-040008	PIN, SPRING 4.0X 8	1	1						
32	1	26106-080502	BOLT, M8X 50 PLATED	2	2						
33	1	26226-060552	STUD, M6X 55	2	2						
34	1	26366-060002	NUT, M6	2	2						
35	1	114310-11310	GASKET, BONNET	1	1						
36	1	114310-11950	BONNET ASSY, HEAD	1	1						
38	2	114210-03590	SHAFT ASSY, DECOMP.	1	1						
41	2	114299-03640	SPRING, DECOMPRESSION	1	1						
43	2	22312-030160	PIN, PARALLEL M3X16	1	1						
47	1	26106-060652	BOLT, M6X 65 PLATED	3	3						

Remarks

(1) Fig.2 Ref.27-1, Fig.2 Ref.28-1, Fig.8 Ref.24-1, Fig.8 Ref.25A, Fig.11 Ref.22, are interchangeable when replaced at the same time.

Fig.3. AIR CLEANER & MUFFLER

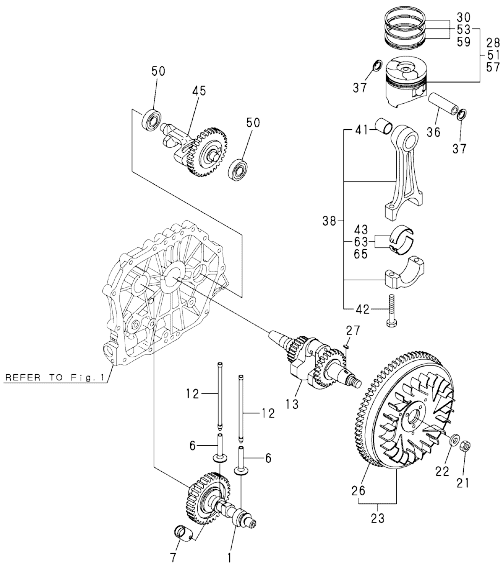


(A)=L100N6FA1P1AAID
 (B)=L100N6FF1P1AAID
 (C)=

(D)=
 (E)=
 (F)=

No.	Lev.	Parts No.	Description	Q'ty						I	R
				(A)	(B)	(C)	(D)	(E)	(F)		
1	1	114310-12210	GASKET, AIR CLEANER	1	1						
2	1	114299-12300	NUT	3	3						
3	1	114310-12511	CLEANER ASSY, AIR	1	1						
4	2	114310-12010	BODY ASSY, AIR CLNR	1	1						
8	2	114210-12500	COVER ASSY, AIR CLNR	1	1						
11	3	114210-12610	LABEL, AIR CLEANER	1	1						
12	2	114210-12560	NUT, WING	1	1						
13	2	114210-12590	ELEMENT ASSY	1	1						
16	2	114210-12600	LOCKING KNOB	1	1						
17	1	26106-060402	BOLT, M6X 40 PLATED	1	1						
18	1	26226-060352	STUD, M6X 35	3	3						
19	1	114310-13200	GASKET, MUFFLER	1	1						
20	1	114699-13552	MUFFLER ASSY	1	1						
21	2	114699-13562	MUFFLER	1	1						
22	2	114699-13700	COVER A, MUFFLER	1	1						
23	2	114699-13710	COVER	2	2						
24	2	114699-13720	BOLT, M6	10	10						
25	1	26106-080202	BOLT, M8X 20 PLATED	2	2						
26	1	26216-080182	STUD, M8X 18	2	2						
27	1	26366-080002	NUT, M8	2	2						
28	1	114699-13800	PIPE	1	1						
28-1	1	114320-13800	DEFLECTOR ASSY, EXH	1	1						N
		(A)=ES04198	(B)=ES04196								

Fig.4. CRANKSHAFT, PISTON & CAMSHAFT



(A)=L100N6FA1P1AAID
(B)=L100N6FF1P1AAID
(C)=

(D)=
(E)=
(F)=

No.	Lev.	Parts No.	Description	Q'ty						
				(A)	(B)	(C)	(D)	(E)	(F)	
1	1	714320-14580	CAMSHAFT ASSY	1	1					
6	1	114310-14200	TAPPET	2	2					
7	1	114210-14300	TAPPET ASSY,ROLLER	1	1					
12	1	114310-14400	ROD ASSY, PUSH	2	2					
13	1	714310-21760	CRANKSHAFT(E-DI ASSY	1	1					
21	1	114699-21220	NUT	1	1					
22	1	114699-21550	WASHER	1	1					
23	1	114699-21600	FLYWHEEL ASSY, DE	1	1					
26	2	114699-21630	RING, GEAR	1	1					
27	1	22512-050140	KEY, 5X 14	1	1					
28	1	714320-22720	PISTON W/RINGS (D	1	1					
30	2	714310-22500	RING SET, PISTON	1	1					
36	1	114699-22300	PIN, PISTON D=23	1	1					
37	1	129792-22400	CIRCLIP, 23	2	2					
38	1	714310-23701	ROD ASSY, CONNECTING	1	1					
41	2	124060-23100	BEARING, PISTON PIN	1	1					
42	2	119810-23200	BOLT, CONNECTING ROD	2	2					
43	2	714650-23600	BEARING, CRANK PIN	1	1					
45	1	714310-28510	SHAFT ASSY, BALANCER	1	1					
50	1	24101-063040	BEARING, BALL 6304C3	2	2					
51	1	714320-22620	PISTON W/RING OS=25	1	1					1
53	2	714310-22540	RING SET O.S.=0.25	1	1					1
57	1	714320-22580	PISTON W/RING OS=0.5	1	1					2
59	2	714310-22550	RING SET O.S.=0.50	1	1					2
63	1	714650-23610	BEARING ASSY, 0.25	1	1					3
65	1	714650-23620	BEARING, 0.50 US	1	1					4

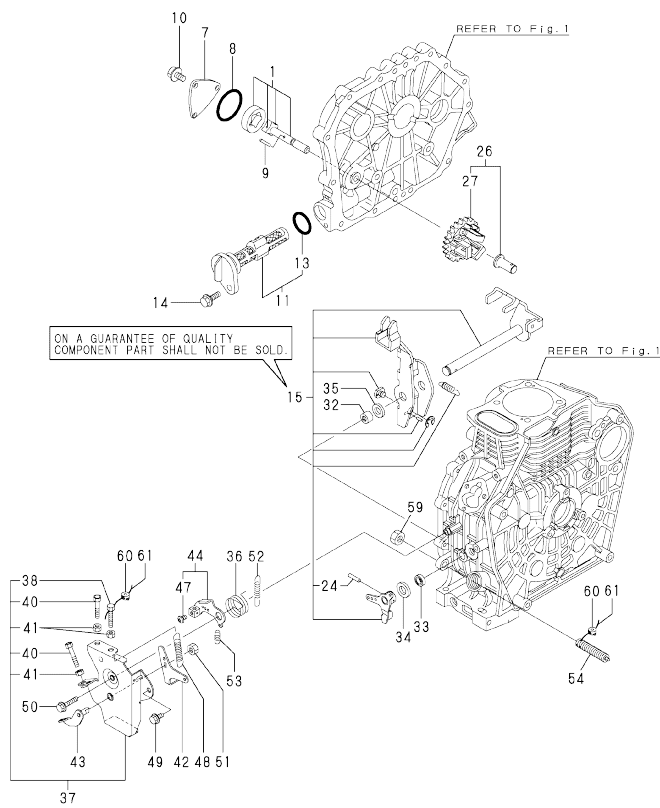
Remarks

- (1)OVER SIZED(O.S.=0.25)PART.
- (2)OVER SIZED(O.S.=0.50)PART.
- (3)UNDER SIZED(U.S.=0.25)PART.
- (4)UNDER SIZED(U.S.=0.50)PART.

Fig.5. LUB.OIL PUMP & GOVERNOR

(A)=L100N6FA1P1AAID
 (B)=L100N6FF1P1AAID
 (C)=

(D)=
 (E)=
 (F)=

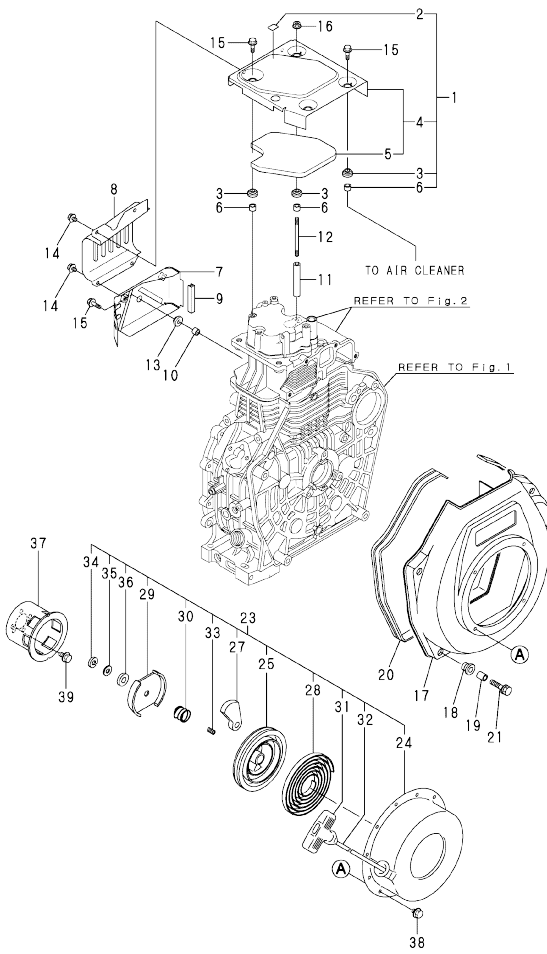


No.	Lev.	Parts No.	Description	Q'ty						I	R
				(A)	(B)	(C)	(D)	(E)	(F)		
1	1	114650-32010	PUMP ASSY, OIL	1	1						
7	1	114299-32070	COVER	1	1						
8	1	114299-32570	O-RING	1	1						
9	1	22312-030160	PIN, PARALLEL M3X16	1	1						
10	1	26106-060122	BOLT, M6X 12 PLATED	3	3						
11	1	114299-35110	FILTER ASSY, OIL	1	1						
13	2	24341-000224	O-RING, 1AS22.4	1	1						
14	1	26106-060162	BOLT, M6X 16 PLATED	1	1						
15	1	114311-61500	LEVER ASSY, GOVERNOR	1	1						
24	2	22322-030200	PIN, TAPER 3X20	1	1						
26	1	714210-61701	GOVERNOR ASSY	1	1						
27	2	114210-61290	WEIGHT ASSY, GOVERNOR	1	1						
32	1	114770-61520	BEARING, NEEDLE	2	2						
33	1	114299-61600	SEAL, OIL	1	1						
34	1	114770-61610	WASHER, THRUST	1	1						
35	1	114299-61190	WASHER	1	1						
36	1	114299-66250	SPRING, RETURN	1	1						
37	1	714299-66901	SPEED CONTROL TP 01	1	1						
38	2	114299-66440	BOLT, ADJUSTING	1	1						
40	2	114299-67080	BOLT, ADJUSTING	2	2						
41	2	26757-060002	NUT, LOCK M6	3	3						
42	1	114299-66920	LEVER, STOP	1	1						
43	1	114299-66932	LEVER, STOP OUT	1	1						
44	1	114299-66940	LEVER ASSY, REGULATOR	1	1						
47	2	26117-050089	BOLT, M5X 8 PLATED	1	1						
48	1	114310-66950	SPRING, STOP TILLER	1	1						
49	1	26106-060142	BOLT, M6X 14 PLATED	1	1						
50	1	26106-060302	BOLT, M6X 30 PLATED	1	1						
51	1	26757-080002	NUT, LOCK M8	1	1						
52	1	114320-66010	SPRING, REGULATOR	1	1						
53	1	114299-66200	SPRING, RETURN	1	1						
54	1	114320-66600	LIMITER ASSY, FUEL	1	1						
59	1	26776-100002	NUT, LOCK M10	1	1						
60	1	114780-61090	TIN	2	2						
61	1	22451-060000	WIRE, 0.6	2	2						

Fig.6. COOLING & STARTING DEVICE

(A)=L100N6FA1P1AAID
 (B)=L100N6FF1P1AAID
 (C)=

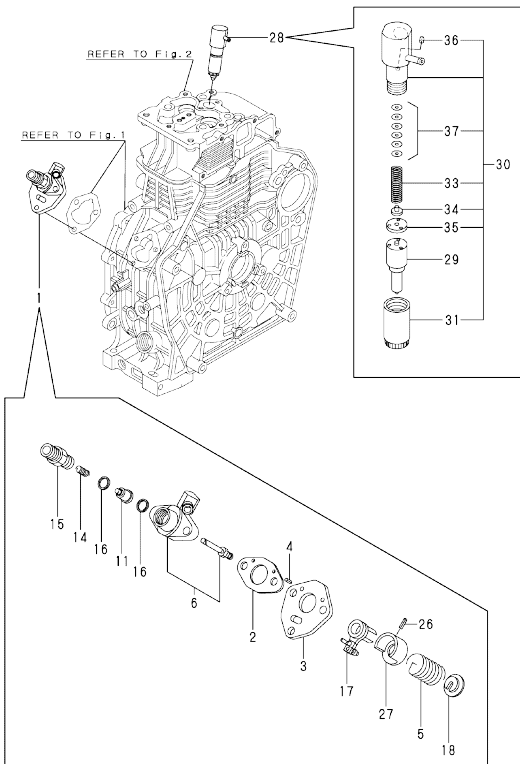
(D)=
 (E)=
 (F)=



No.	Lev.	Parts No.	Description	Q'ty						I	R
				(A)	(B)	(C)	(D)	(E)	(F)		
1	1	714310-45100	TOP COVER, ASSY	1	1						
2	2	114210-07200	LABEL, DECOMPRESSION	1	1						
3	2	114299-45220	GROMMET	4	4						
4	2	114310-45300	COVER, TOP	1	1						
5	3	114310-45310	DAMPER	1	1						
6	2	114399-45340	COLLAR	4	4						
7	1	114310-45260	COVER B, SIDE	1	1						
8	1	114310-45270	COVER A, SIDE	1	1						
9	1	114399-45320	RUBBER, SEAL	1	1						
10	1	114399-45340	COLLAR	1	1						
11	1	114310-45350	SPACER, TOP COVER	1	1						
12	1	114310-45360	STUD BOLT, TOP COVER	1	1						
13	1	114299-45220	GROMMET	1	1						
14	1	26106-060082	BOLT, M6X 8 PLATED	4	4						
15	1	26106-060202	BOLT, M6X 20 PLATED	4	4						
16	1	26366-060002	NUT, M6	1	1						
17	1	114310-45100	FAN CASE(SILVER)(17)	1	1						
18	1	114299-45301	RUBBER, CUSHION	4	4						
19	1	114299-45310	COLLAR	4	4						
20	1	114699-45330	SEAL, FAN CASE	1	1						
21	1	114299-45350	BOLT, FAN CASE	4	4						
23	1	114699-76251	STARTER ASSY, RECOIL	1	1						
24	2	114699-76510	CASE, STARTER	1	1						
25	2	114699-76521	REEL, RECOIL	1	1						
27	2	114699-76531	RATCHET	2	2						
28	2	114399-76540	SPRING, SPIRAL	1	1						
29	2	114699-76551	GUIDE, RATCHET	1	1						
30	2	114699-76560	SPRING, FRICTION	1	1						
31	2	114399-76620	KNOB, STARTER	1	1						
32	2	114699-76630	ROPE, STARTER	1	1						
33	2	114699-76650	SPRING, RETURN	1	1						
34	2	114699-76660	CIRCLIP	1	1						
35	2	114699-76670	WASHER	1	1						
36	2	114699-76680	WASHER	1	1						
37	1	114699-76592	PULLEY, STARTER	1	1						
38	1	26106-060082	BOLT, M6X 8 PLATED	4	4						
39	1	26106-060122	BOLT, M6X 12 PLATED	3	3						

(A)=L100N6FA1P1AAID
 (B)=L100N6FF1P1AAID
 (C)=

(D)=
 (E)=
 (F)=



No.	Lev.	Parts No.	Description	Q'ty						I	R
				(A)	(B)	(C)	(D)	(E)	(F)		
1	1	714320-51100	PUMP ASSY, F.INJECT.	1	1						1
2	2	114299-51020	GASKET, PUMP BODY	1	1						
3	2	114299-51080	PLATE	1	1						
4	2	114299-51090	PIN, 2.0A X 6	2	2						
5	2	114299-51160	SPRING, PLUNGER	1	1						
6	2	114320-51200	BODY ASSY, PUMP	1	1						
11	2	114699-51300	VALVE ASSY, DELIVERY	1	1						
14	2	114299-51330	SPRING, VALVE	1	1						
15	2	114299-51340	HOLDER, DELIVERY	1	1						
16	2	114299-51350	PACKING, DELIVERY	2	2						
17	2	114299-51600	LEVER, CONTROL	1	1						
18	2	114299-51620	SEAT ASSY (B, SPRING	1	1						
26	2	114299-51630	PIN, 2.5A X 8	1	1						
27	2	114299-51640	SEAT, SPRING	1	1						
28	1	714320-53100	FUEL INJECTOR	1	1						2
29	2	114320-53000	NOZZLE ASSY	1	1						
30	2	114210-53100	HOLDER ASSY,NOZZLE	1	1						
31	3	114210-53080	NUT,NOZZLE	1	1						
33	3	114210-53120	SPRING,NOZZLE	1	1						
34	3	114210-53130	SEAT,SPRING	1	1						
35	3	114210-53140	SPACER ASSY,VALVE	1	1						
36	3	114210-53330	PIN	1	1						
37	3	114210-53400	SHIM SET	1	1						

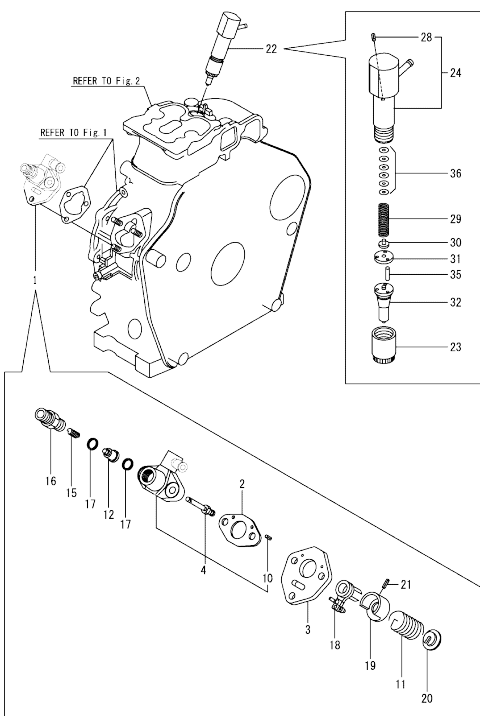
Remarks

- (1)New type is in Fig.10 Ref.1
- (2)New type is in Fig.10 Ref.22

Fig.11. 7A F.I.PUMP & F.I.VALVE

(A)=L100N6FA1P1AAID
 (B)=L100N6FF1P1AAID
 (C)=

(D)=
 (E)=
 (F)=

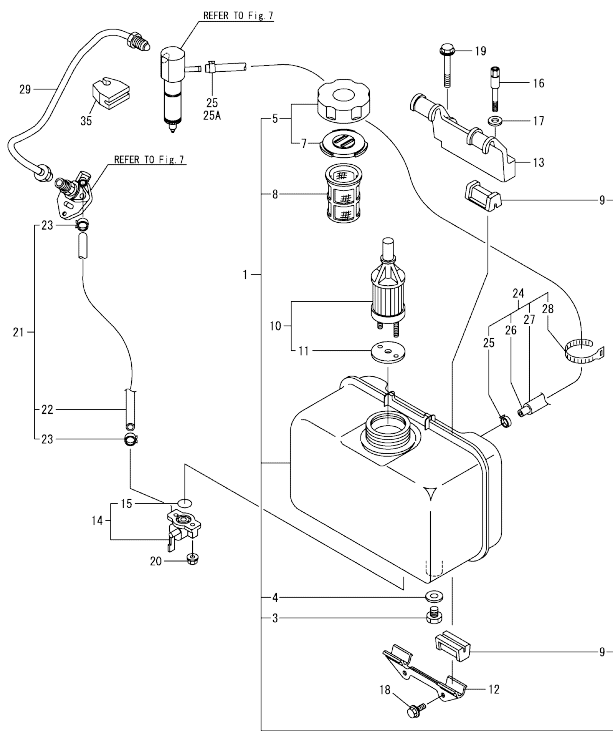


No.	Lev.	Parts No.	Description	Q'ty						I	R	
				(A)	(B)	(C)	(D)	(E)	(F)			
1	1	714339-51200	F.I.PUMP ASSY	1							N	1
		(A=EZZZZZ)										
2	2	105546-51020	GASKET	1								
3	2	114250-51080	PLATE	1								
4	2	114339-51100	BODY ASSY, PUMP	1								
10	4	22351-020006	PIN, SPRING 2.0X 6	2								
11	2	114250-51160	SPRING, PLUNGER	1								
12	2	114650-51300	VALVE ASSY, DELIVERY	1								
15	2	105546-51330	SPRING, DELIVERY	1								
16	2	114250-51340	HOLDER, DELIVERY	1								
17	2	124550-51350	GASKET, DELIVERY	2								
18	2	114250-51600	LEVER ASSY, CONTROL	1								
19	2	114250-51640	SEAT, SPRING A	1								
20	2	114250-51650	SEAT, SPRING B	1								
21	2	22351-030008	PIN, SPRING 3.0X 8	1								
22	1	714339-53200	VALVE ASSY, INJECTION	1								F 2
		(A=EZZZZZ)										
23	2	114250-53080	NUT, NOZZLE D16.95	1								
24	2	114339-53100	HOLDER ASSY, NOZZLE	1								
28	3	22351-025005	PIN, SPRING 2.5X 6	1								
29	2	114250-53120	SPRING, NOZZLE	1								
30	2	114250-53130	SEAT, SPRING	1								
31	2	114250-53140	PLATE	1								
32	2	114339-53200	VALVE ASSY, INJECTION	1								
35	2	114250-53210	PIN	2								
36	2	114250-53400	SHIM SET	1								

Remarks
 (1) Interchangeability with Fig.7 Ref.1
 (2) Fig.2 Ref.27-1, Fig.2 Ref.28-1, Fig.8 Ref.24-1, Fig.8 Ref.25A, Fig.11 Ref.22,
 are interchangeable when replaced at the same time.

OCR10-M73000 L100N6(FA/FF)1P1AAID
Fig.8. FUEL TANK & FUEL PIPE

OCR10-M73000 Fig.8



(A)=L100N6FA1P1AAID
 (B)=L100N6FF1P1AAID
 (C)=

(D)=
 (E)=
 (F)=

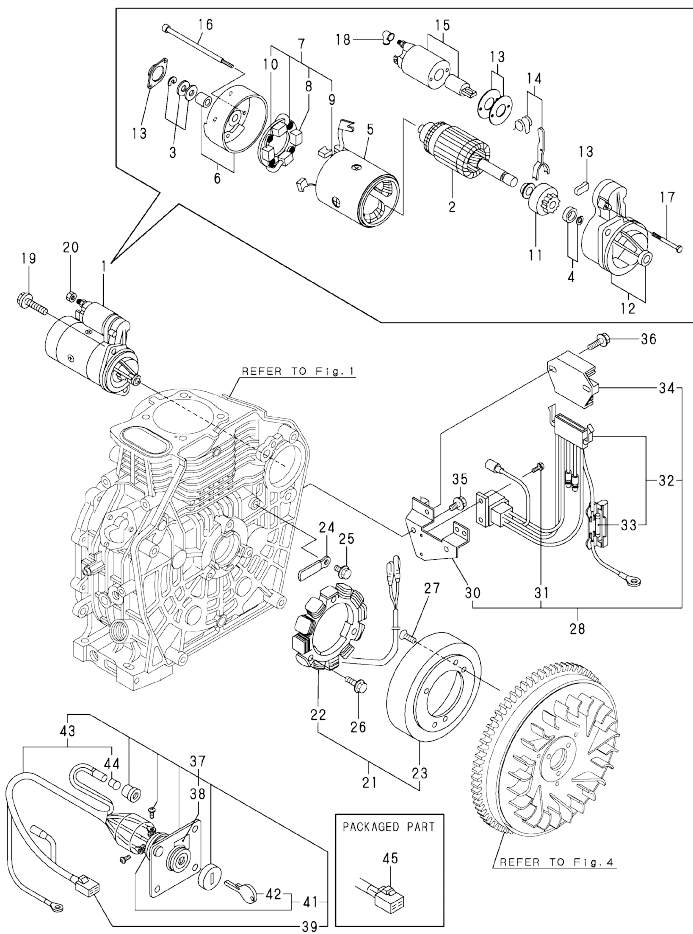
No.	Lev.	Parts No.	Description	Qty						I	R
				(A)	(B)	(C)	(D)	(E)	(F)		
1	1	714310-55700	TANK ASSY, FUEL	1	1						
3	3	114299-55080	PLUG, DRAIN	1	1						
4	3	23414-080000	GASKET, 8X1.0	1	1						
5	2	114288-55041	CAP ASSY, FUEL TANK	1	1						
7	3	114288-55081	VALVE	1	1						
8	2	114299-55100	ELEMENT, FUEL FILTER	1	1						
9	2	114250-55201	DAMPER, FUEL TANK	4	4						
10	1	114250-55121	FILTER ASSY, FUEL	1	1						
11	2	114250-55130	GASKET	1	1						
12	1	114210-55210	STAY, FUEL TANK A	1	1						
13	1	114310-55230	STAY, FUEL TANK B	1	1						
14	1	114250-55301	COCK ASSY, FUEL	1	1						
15	2	24341-000150	O-RING, 1AS15.0	1	1						
16	1	114210-55810	BOLT, LIFTING	1	1						
17	1	22117-080000	WASHER, 8	1	1						
18	1	26106-060162	BOLT, M6X 16 PLATED	2	2						
19	1	26106-080452	BOLT, M8X 45 PLATED	1	1						
20	1	26368-060002	NUT, M6	2	2						
21	1	114780-59010	PIPE ASSY, FUEL L50	1	1						
22	2	114780-59060	PIPE, FUEL L=50	1	1						
23	2	23080-014000	CLAMP, 14	2	2						
24	1	114310-59300	PIPE ASSY, RETURN	1	1						S
		(A=*2008.09) (B=*2008.09)									
24-1	1	114339-59300	PIPE ASSY, RETURN	1	1						W 1
		(A=*2008.09) (B=*2008.09)									
24-2	1	114339-59301	PIPE ASSY, FO RETURN	1	1						N
		(A=*2019.03) (B=*2019.03)									
25	2	124722-59050	CLAMP, HOSE 9	2	2						
25-1	2	124722-59050	CLAMP, HOSE 9	1	1						K
		(A=*2008.09) (B=*2008.09)									
25A	2	124066-59100	CLAMP, HOSE 8	1	1						W 1
		(A=*2008.09) (B=*2008.09)									
26	2	114310-59060	PIPE, FUEL RETURN	1	1						
26-1	2	114310-59061	PIPE, FO RETURN	1	1						N
		(A=*2019.03) (B=*2019.03)									
27	2	114310-59310	HOSE, PROTECTION	1	1						
28	2	121750-59890	BAND, NYLON	1	1						
29	1	114310-59800	PIPE ASSY, INJECTION	1	1						
35	1	114699-59850	SUPPORT, PIPE	1	1						

Remarks
 (1)Fig.2 Ref.27-1, Fig.2 Ref.28-1,
 Fig.8 Ref.24-1, Fig.8 Ref.25A,
 Fig.11 Ref.22,
 are interchangeable when replaced
 at the same time.

Fig.9. STARTING MOTOR & DYNAMO

(A)=L100N6FA1P1AAID
(B)=L100N6FF1P1AAID
(C)=

(D)=
(E)=
(F)=

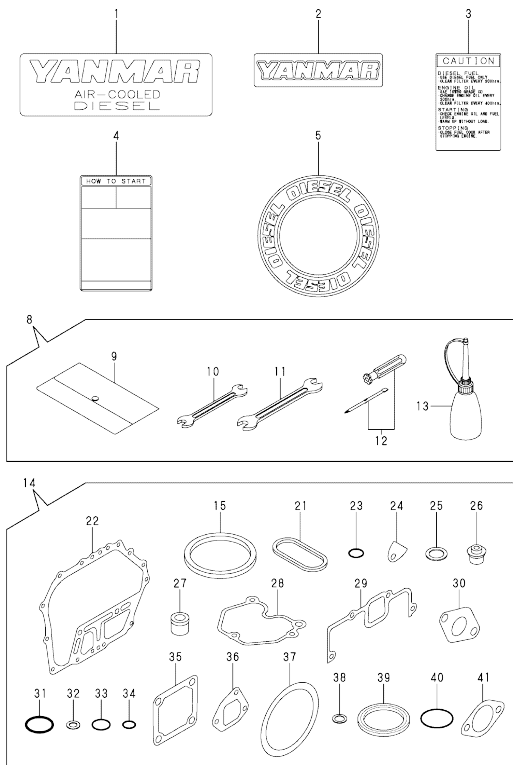


No.	Lev.	Parts No.	Description	Q'ty						I	R
				(A)	(B)	(C)	(D)	(E)	(F)		
1	1	114362-77011	STARTER(HITACHI 12V	1							
2	2	114381-77110	ARMATURE	1							
3	2	X2114811000	WASHER KIT, THRUST	1							
4	2	X2114715500	STOPPER SET, PINION	1							
5	2	114381-77130	COIL ASSY, FIELD	1							
6	2	114381-77140	COVER, REAR	1							
7	2	114371-77160	HOLDER ASSY, BRUSH	1							
8	3	114371-79040	BRUSH (-)	2							
9	3	114371-79050	BRUSH (+)	1							
10	3	114371-79060	SPRING, BRUSH	4							
11	2	X211485016	PINION ASSY	1							
12	2	114381-77151	HOUSING ASSY, GEAR	1							
13	2	114371-77170	COVER KIT, DUST	1							
14	2	114371-77180	LEVER KIT, SHIFT	1							
15	2	124298-77020	SWITCH, MAGNETIC	1							
16	2	124195-77770	THROUGH BOLT	2							
17	2	114371-79070	BOLT M 6X 37	2							
18	2	X2114274200	COVER, TERMINAL	1							
19	1	26106-100302	BOLT, M10X 30 PLATED	2							
20	1	26716-080002	NUT, M8	1							
21	1	114399-78260	DYNAMO ASSY	1							
22	2	114399-78730	STATOR ASSY	1							
23	2	114399-78740	WHEEL, DYNAMO	1							
24	1	160710-78710	CLAMP, CORD	1							
25	1	26106-060122	BOLT, M6X 12 PLATED	1							
26	1	26106-060202	BOLT, M6X 20 PLATED	3							
27	1	26577-060142	SCREW M 6X 14	3							
28	1	114399-77550	REG. & HARNESS ASSY	1							
30	3	114399-77400	BRACKET, HARNESS	1							
31	3	26023-040102	SCREW, M4X10	2							
32	3	114399-77540	HARNESS, WIRE	1							
33	4	114399-78000	FUSE(20A	2							
34	2	114399-77710	REGULATOR	1							
35	1	26106-060122	BOLT, M6X 12 PLATED	2							
36	1	26106-060202	BOLT, M6X 20 PLATED	2							
37	1	114351-77500	PANEL ASSY	1							
38	2	105198-07120	LABEL, STARTER	1							
39	2	114351-77520	COUPLER	1							
41	2	106100-77620	SWITCH, KEY	1							
42	3	106100-77630	KEY, SWITCH	1							
43	2	114351-77700	HARNESS, WIRE	1							
44	3	29220-083200	BULB (12V/3.4W)	1							
45	1	114351-77520	COUPLER	1							

Fig.10. TOOL, LABEL & GASKET SET

(A)=L100N6FA1P1AAID
 (B)=L100N6FF1P1AAID
 (C)=

(D)=
 (E)=
 (F)=



No.	Lev.	Parts No.	Description	Q'ty						I	R
				(A)	(B)	(C)	(D)	(E)	(F)		
1	1	114299-07100	LABEL, YANMAR MARK A	1	1						
2	1	114299-07110	LABEL, YANMAR	1	1						
3	1	114210-07120	LABEL, CAUTION	1	1						
4	1	114210-07130	LABEL HOW TO START-E	1	1						
5	1	114299-07160	LABEL, DIESEL	1	1						
8	1	114299-92590	BOX, TOOL	1	1						
9	2	114299-92600	BAG, TOOL	1	1						
10	2	114299-92710	WRENCH	1	1						
11	2	114299-92720	WRENCH	1	1						
12	2	114299-92730	DRIVER	1	1						
13	2	114299-92740	DIPSTICK	1	1						
14	1	114320-92600	GASKET SET	1	1						1
15	2	114695-01330	GASKET, HEAD	1	1						
21	2	114699-01380	O-RING	1	1						
22	2	114699-01410	GASKET, CRANK CASE	1	1						
23	2	114299-01950	O-RING, 18	2	2						
24	2	114250-01841	GASKET	1	1						
25	2	22190-160002	WASHER, SEAL 16	2	2						
26	2	114650-11340	SEAL, VALVE STEM	2	2						
27	2	114771-11461	GASKET, NOZZLE	1	1						
28	2	114310-11310	GASKET, BONNET	1	1						
29	2	114310-12210	GASKET, AIR CLEANER	1	1						
30	2	114310-13200	GASKET, MUFFLER	1	1						
31	2	114299-32570	O-RING	1	1						
32	2	23414-080000	GASKET, 8X1.0	1	1						
33	2	24341-000224	O-RING, 1AS22.4	1	1						
34	2	24341-000150	O-RING, 1AS15.0	2	2						
35	2	129100-77510	GASKET, AIR HEATER	3	3						
36	2	114699-12210	GASKET, AIR CLEANER	2	2						
37	2	114399-21980	GASKET	1	1						
38	2	23414-120000	GASKET, 12X1.0	1	1						
39	2	160393-55050	GASKET	4	4						
40	2	24311-000400	O-RING, 1AP40.0	1	1						
41	2	183671-13211	GASKET, PIPE	1	1						

Remarks
 (1) Interchangeability with Fig.7 Ref.1
 (2) Interchangeable by simultaneous replacement with Fig.8 Ref.21 and Ref.24
 *this item is applicable to [(A)=EZZZZ] or following machines. Refer to Fig.7.

Parts No. Index

Parts No.	Fig. No.	Ref. No.
104211-11370	2	26
105198-07120	9	38
105546-51020	11	2
105546-51330	11	15
106100-77620	9	41
106100-77630	9	42
114210-03590	2	38
114210-07120	10	3
114210-07130	10	4
114210-07200	6	2
114210-11901	2	30
114210-12500	3	8
114210-12560	3	12
114210-12590	3	13
114210-12600	3	16
114210-12610	3	11
114210-14300	4	7
114210-53080	7	31
114210-53100	7	30
114210-53120	7	33
114210-53130	7	34
114210-53140	7	35
114210-53330	7	36
114210-53400	7	37
114210-55210	8	12
114210-55810	8	16
114210-61290	5	27
114240-11450	2	27 -1
114240-11550	2	28 -1
114250-01841	1	20
	10	24
114250-51080	11	3
114250-51160	11	11
114250-51340	11	16
114250-51600	11	18
114250-51640	11	19
114250-51650	11	20
114250-53080	11	23
114250-53120	11	29
114250-53130	11	30
114250-53140	11	31
114250-53210	11	35
114250-53400	11	36
114250-55121	8	10
114250-55130	8	11
114250-55201	8	9
114250-55301	8	14
114288-55041	8	5
114288-55081	8	7
114295-11470	2	28

Parts No.	Fig. No.	Ref. No.
114299-01600	1	7
114299-01690	1	34
114299-01800	1	8
114299-01830	1	19
114299-01950	1	37
	10	23
114299-02030	1	42
114299-03640	2	41
114299-07100	10	1
114299-07110	10	2
114299-07160	10	5
114299-11240	2	19
		23
114299-12300	3	2
114299-32070	5	7
114299-32570	5	8
	10	31
114299-35110	5	11
114299-35150	1	32
114299-45220	6	3
		13
114299-45301	6	18
114299-45310	6	19
114299-45350	6	21
114299-51020	7	2
114299-51080	7	3
114299-51090	7	4
114299-51160	7	5
114299-51330	7	14
114299-51340	7	15
114299-51350	7	16
114299-51600	7	17
114299-51620	7	18
114299-51630	7	26
114299-51640	7	27
114299-55080	8	3
114299-55100	8	8
114299-61190	5	35
114299-61600	5	33
114299-66200	5	53
114299-66250	5	36
114299-66440	5	38
114299-66920	5	42
114299-66932	5	43
114299-66940	5	44
114299-67080	5	40
114299-92590	10	8
114299-92600	10	9
114299-92710	10	10
114299-92720	10	11

Parts No.	Fig. No.	Ref. No.
114299-92730	10	12
114299-92740	10	13
114310-01020	1	1
114310-01200	2	1
114310-01210	2	2
114310-01450	1	27
114310-11100	2	8
114310-11110	2	9
114310-11120	2	10
114310-11180	2	11
114310-11250	2	14
114310-11260	2	15
114310-11280	2	16
114310-11310	2	35
	10	28
114310-11650	2	17
114310-11660	2	21
114310-11930	2	12
114310-11950	2	36
114310-12010	3	4
114310-12210	3	1
	10	29
114310-12511	3	3
114310-13200	3	19
	10	30
114310-14200	4	6
114310-14400	4	12
114310-45100	6	17
114310-45260	6	7
114310-45270	6	8
114310-45300	6	4
114310-45310	6	5
114310-45350	6	11
114310-45360	6	12
114310-55230	8	13
114310-59060	8	26
114310-59061	8	26 -1
114310-59300	8	24
114310-59310	8	27
114310-59800	8	29
114310-66950	5	48
114311-61500	5	15
114320-11020	2	3
114320-13800	3	28 -1
114320-51200	7	6
114320-53000	7	29
114320-66010	5	52
114320-66600	5	54
114320-92600	10	14
114339-51100	11	4

Parts No.	Fig. No.	Ref. No.
114339-53100	11	24
114339-53200	11	32
114339-59300	8	24 -1
114339-59301	8	24 -2
114351-77500	9	37
114351-77520	9	39
		45
114351-77700	9	43
114362-77011	9	1
114371-77160	9	7
114371-77170	9	13
114371-77180	9	14
114371-79040	9	8
114371-79050	9	9
114371-79060	9	10
114371-79070	9	17
114381-77110	9	2
114381-77130	9	5
114381-77140	9	6
114381-77151	9	12
114399-01700	1	40
114399-21960	1	51
114399-21980	1	52
	10	37
114399-45320	6	9
114399-45340	6	6
		10
114399-76540	6	28
114399-76620	6	31
114399-77400	9	30
114399-77540	9	32
114399-77550	9	28
114399-77710	9	34
114399-78000	9	33
114399-78260	9	21
114399-78730	9	22
114399-78740	9	23
114650-02100	1	30
114650-02150	1	43
114650-02200	1	48
114650-02210	1	49
114650-11340	2	25
	10	26
114650-32010	5	1
114650-51300	11	12
114695-01330	10	15
114695-01340	1	5
114699-01380	1	6
	10	21
114699-01410	1	26

Parts No. Index

Parts No.	Fig. No.	Ref. No.
114699-01410	10	22
114699-01760	1	35
114699-11600	2	29
114699-12210	10	36
114699-13552	3	20
114699-13562	3	21
114699-13700	3	22
114699-13710	3	23
114699-13720	3	24
114699-13800	3	28
114699-21220	4	21
114699-21550	4	22
114699-21600	4	23
114699-21630	4	26
114699-22300	4	36
114699-45330	6	20
114699-51300	7	11
114699-59850	8	35
114699-76251	6	23
114699-76510	6	24
114699-76521	6	25
114699-76531	6	27
114699-76551	6	29
114699-76560	6	30
114699-76592	6	37
114699-76630	6	32
114699-76650	6	33
114699-76660	6	34
114699-76670	6	35
114699-76680	6	36
114770-61520	5	32
114770-61610	5	34
114771-11461	2	27
	10	27
114780-59010	8	21
114780-59060	8	22
114780-61090	5	60
114940-01870	1	38 -1
119810-23200	4	42
121750-59890	8	28
124060-23100	4	41
124066-59100	8	25 A
124195-77770	9	16
124298-77020	9	15
124550-51350	11	17
124722-59050	8	25
		25 -1
129100-77510	10	35
129792-22400	4	37
160110-01870	1	38

Parts No.	Fig. No.	Ref. No.
160393-55050	10	39
160710-78710	9	24
183671-13211	10	41
22117-080000	8	17
22190-160002	1	39
	10	25
22312-030160	2	43
	5	9
22312-040080	1	21
22322-030200	5	24
22351-020006	11	10
22351-025005	11	28
22351-030008	11	21
22351-040008	2	31
22451-060000	5	61
22512-050140	4	27
23080-014000	8	23
23414-080000	8	4
	10	32
23414-120000	10	38
23875-020000	1	22
23876-010000	1	50
24101-063040	4	50
24162-152220	1	44
24311-000400	10	40
24341-000150	8	15
	10	34
24341-000224	5	13
	10	33
24423-355008	1	45
		46
26023-040102	9	31
26106-060082	6	14
		38
26106-060122	5	10
	6	39
	9	25
		35
26106-060142	5	49
26106-060162	5	14
	8	18
26106-060202	6	15
	9	26
		36
26106-060302	5	50
26106-060402	3	17
26106-060652	2	47
26106-080122	1	47
26106-080202	3	25
26106-080352	1	33

Parts No.	Fig. No.	Ref. No.
26106-080452	8	19
26106-080502	2	32
26106-100122	1	41
26106-100302	9	19
26117-050089	5	47
26216-080182	3	26
26226-060182	1	23
26226-060222	1	24
26226-060352	3	18
26226-060552	2	33
26366-060002	1	25
	2	34
	6	16
	8	20
26366-080002	3	27
26453-080252	1	53
26577-060142	9	27
26716-080002	9	20
26757-060002	5	41
26757-080002	5	51
26776-100002	5	59
26856-060002	2	20
		24
29220-083200	9	44
714210-61701	5	26
714299-66901	5	37
714310-21760	4	13
714310-22500	4	30
714310-22540	4	53
714310-22550	4	59
714310-23701	4	38
714310-28510	4	45
714310-45100	6	1
714310-55700	8	1
714320-14580	4	1
714320-22580	4	57
714320-22620	4	51
714320-22720	4	28
714320-51100	7	1
714320-53100	7	28
714339-51200	11	1
714339-53200	11	22
714650-23600	4	43
714650-23610	4	63
714650-23620	4	65
X2114274200	9	18
X2114715500	9	4
X2114811000	9	3
X211485016	9	11

Parts No.	Fig. No.	Ref. No.
-----------	----------	----------