

OCR10-M78300EN

P R E F A C E

1.This parts catalog is a first edition of the L100N6FF1P1AAFT Diesel engine.

	Parts catalog No.	Date of issue	Remarks
First edition	0CR10-G78300	Mar.,2009	No need

2.This parts catalog dose not contain the technical data needed for maintenance service.

3.The illustrations used in this parts catalog have been simplified for clarity.

4.The contents of this parts catalog are subject to change without notice.

5.Be sure to use only Yanmar genuine parts for repairs. If imitation parts are used,
it may cause engine defects.

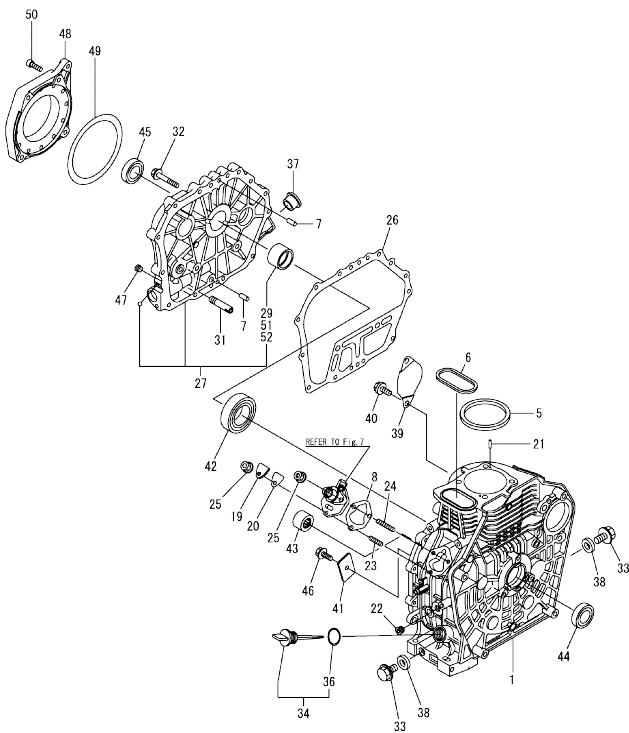
Contents

OCR10-M78300

Fig. No.	Fig. Name	Fig. No.	Fig. Name
L100N6FF1P1AAFT			
1.	CYLINDER BLOCK		
2.	CYLINDER HEAD & BONNET		
3.	AIR CLEANER & MUFFLER		
4.	CRANKSHAFT, PISTON & CAMSHAFT		
5.	LUB.OIL PUMP & GOVERNOR		
6.	COOLING & STARTING DEVICE		
7.	F.I.PUMP & F.I.VALVE		
8.	FUEL TANK & FUEL PIPE		
9.	TOOL, LABEL & GASKET SET		

OCR10-M78300 L100N6FF1P1AAFT
 Fig.1. CYLINDER BLOCK

OCR10-M78300 Fig.1



(A)=L100N6FF1P1AAFT
 (B)=
 (C)=

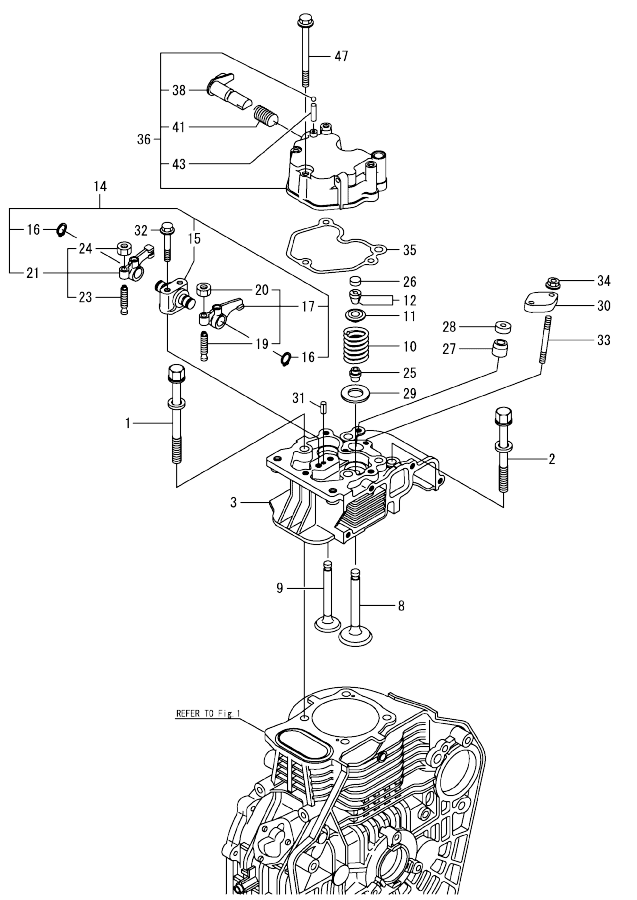
(D)=
 (E)=
 (F)=

No.	Lev.	Parts No.	Description	Q'ty						I	R
				(A)	(B)	(C)	(D)	(E)	(F)		
1	1	114310-01020	BLOCK ASSY, CYLINDER	1							
5	1	114695-01340	GASKET, HEAD T=0.5	1							
6	1	114699-01380	O-RING, TAPPET	1							
7	1	114299-01600	PIN, PARALLEL 8X12	2							
8	1	114299-01800	SHIM SET, PUMP	1							
19	1	114299-01830	COVER, PUMP	1							
20	1	114250-01841	GASKET, COVER	1							
21	1	22312-040080	PIN, PARALLEL M4X 8	2							
22	1	23875-020000	PLUG, R02	1							
23	1	26226-060182	STUD, M6X 18	1							
24	1	26226-060222	STUD, M6X 22	2							
25	1	26366-060002	NUT, M6	3							
26	1	114699-01410	GASKET, CASE COVER	1							
27	1	114310-01450	COVER, CRANK CASE D	1							
29	2	114650-02101	BEARING, MAIN	1							1
31	1	114299-35150	PIPE, OIL INLET	1							
32	1	26106-080352	BOLT, M8X 35 PLATED	16							
33	1	114299-01690	PLUG, DRAIN 16	2							
34	1	114699-01760	CAP ASSY, OIL SUPPLY	1							
36	2	114299-01950	O-RING, 18	1							
37	1	160110-01870	PLUG, RUBBER 22	1							
37-1	1	114940-01870	PLUG, RUBBER 22	1							N
(A=2019.02)											
38	1	22190-160002	WASHER, SEAL 16	2							
39	1	114399-01700	COVER, STARTER	1							
40	1	26106-100122	BOLT, M10X 12 PLATED	2							
41	1	114299-02030	RETAINER, BEARING	1							
42	1	114650-02150	BEARING, HR6308G3C3	1							
43	1	24162-152220	BEARING, 152220	1							
44	1	24423-355008	SEAL, OIL TC355008	1							
45	1	24423-355008	SEAL, OIL TC355008	1							
46	1	26106-080122	BOLT, M8X 12 PLATED	1							
47	1	23876-010000	PLUG, R01	1							
48	1	114399-21960	FLANGE	1							
49	1	114399-21980	GASKET	1							
50	1	26453-080252	BOLT, M8X 25	4							
51	1	114650-02200	METAL, MAIN 0.25 US	1							2
52	1	114650-02210	METAL, MAIN 0.50 US	1							3

Remarks
 (1)REPAIR PART.
 (2)UNDER SIZED(U.S.=0.25)PART.
 (3)UNDER SIZED(U.S.=0.50)PART.

N:Old $\frac{100}{100}$ New, Q:Old $\frac{100}{100}$ New, R:Old $\frac{100}{100}$ New, S:Old $\frac{100}{100}$ New, W:Add, Z:Discontinued, F:Interchangeable by set, K:Q'ty Change
 Copyright (C) YANMAR CO., LTD. All Rights Reserved.

Fig.2. CYLINDER HEAD & BONNET



(A)=L100N6FF1P1AAFT
(B)=
(C)=

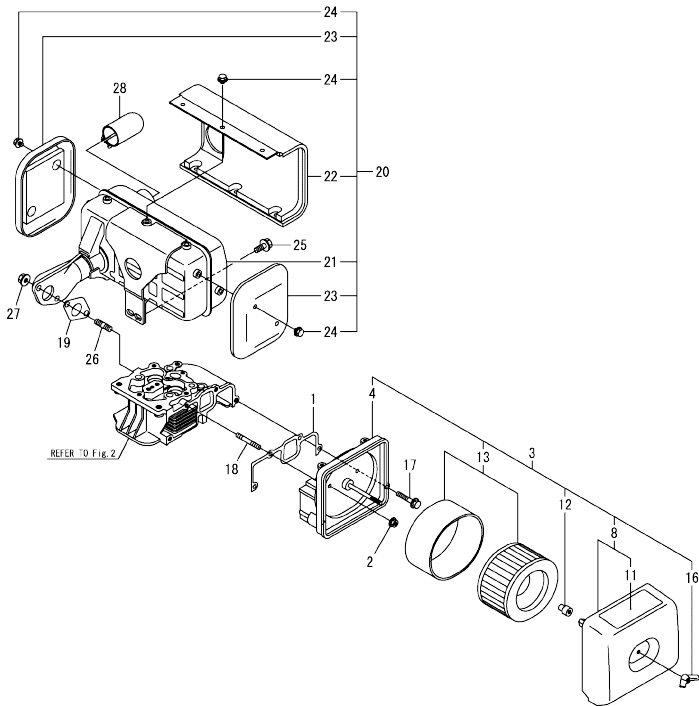
(D)=
(E)=
(F)=

No.	Lev.	Parts No.	Description	Qty						I	R		
				(A)	(B)	(C)	(D)	(E)	(F)				
1	1	114310-01200	BOLT, CYL HEAD A										
2	1	114310-01210	BOLT, CYL HEAD B	2									
3	1	114320-11020	HEAD ASSY, CYLINDER	1									
8	1	114310-11100	VALVE, INTAKE	1									
9	1	114310-11110	VALVE, EXHAUST	1									
10	1	114310-11120	SPRING, VALVE	2									
11	1	114310-11180	RETAINER, SPRING	2									
12	1	114310-11930	COTTER ASSY	2									
14	1	114310-11250	SUPPORT ASSY, ROCKER	1									
15	2	114310-11260	SUPPORT, ROCKER ARM	1									
16	2	114310-11280	C TYPE RETAINING RIN	2									
17	2	114310-11650	ARM ASSY, INTAKE	1									
19	3	114299-11240	SCREW, ADJUSTING	1									
20	3	26856-060002	NUT, M6	1									
21	2	114310-11660	ARM ASSY, EXHAUST	1									
23	3	114299-11240	SCREW, ADJUSTING	1									
24	3	26856-060002	NUT, M6	1									
25	1	114650-11340	SEAL, VALVE STEM	2									
26	1	104211-11370	CAP, VALVE	2									
27	1	114240-11450	PROTECTOR, NOZZLE	1									
28	1	114240-11550	SEAT, NOZZLE	1									
29	1	114699-11600	WASHER	2									
30	1	114210-11901	RETAINER, NOZZLE	1									
31	1	22351-040008	PIN, SPRING 4.0X 8	1									
32	1	26106-080502	BOLT, M8X 50 PLATED	2									
33	1	26226-060552	STUD, M6X 55	2									
34	1	26366-060002	NUT, M6	2									
35	1	114310-11310	GASKET, BONNET	1									
36	1	114310-11950	BONNET ASSY, HEAD	1									
38	2	114210-03590	SHAFT ASSY, DECOMP.	1									
41	2	114299-03640	SPRING, DECOMPRESSION	1									
43	2	22312-030160	PIN, PARALLEL M3X16	1									
47	1	26106-060652	BOLT, M6X 65 PLATED	3									

OCR10-M78300 L100N6FF1P1AAFT

Fig.3. AIR CLEANER & MUFFLER

OCR10-M78300 Fig.3



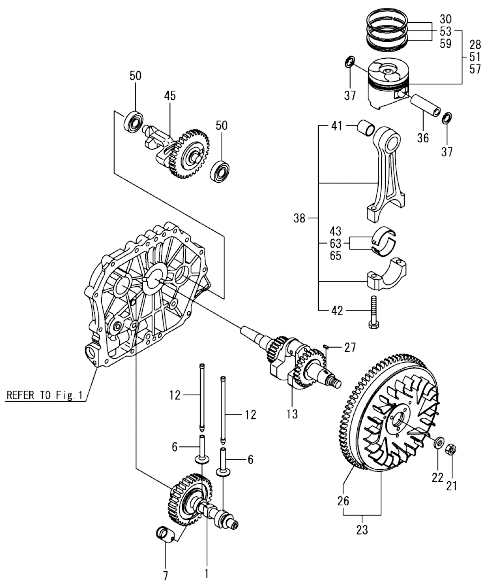
(A)=L100N6FF1P1AAFT
(B)=
(C)=

(D)=
(E)=
(F)=

No.	Lev.	Parts No.	Description	Q'ty						I	R
				(A)	(B)	(C)	(D)	(E)	(F)		
1	1	114310-12210	GASKET, AIR CLEANER	1							
2	1	114299-12300	NUT	3							
3	1	114310-12511	AIR CLEANER ASSY	1							
4	2	114310-12010	BODY ASSY, AIR CLNR	1							
8	2	114210-12500	COVER ASSY, AIR CLNR	1							
11	3	114210-12610	LABEL, AIR CLEANER	1							
12	2	114210-12560	NUT, WING	1							
13	2	114210-12590	ELEMENT ASSY, AIR	1							
16	2	114210-12600	LOCKING KNOB	1							
17	1	26106-060402	BOLT, M6X 40 PLATED	1							
18	1	26226-060352	STUD, M6X 35	3							
19	1	114310-13200	GASKET, MUFFLER	1							
20	1	114699-13552	MUFFLER ASSY	1							
21	2	114699-13562	MUFFLER	1							
22	2	114699-13700	COVER A, MUFFLER	1							
23	2	114699-13710	COVER	2							
24	2	114699-13720	BOLT, M6	10							
25	1	26106-080202	BOLT, M8X 20 PLATED	2							
26	1	26216-080182	STUD, M8X 18	2							
27	1	26366-080002	NUT, M8	2							
28	1	114699-13800	PIPE	1							
28-1	1	114320-13800	DEFLECTOR ASSY, EXH	1							N

(A)=ES07862

Fig.4. CRANKSHAFT, PISTON & CAMSHAFT



(A)=L100N6FF1P1AAFT
(B)=
(C)=

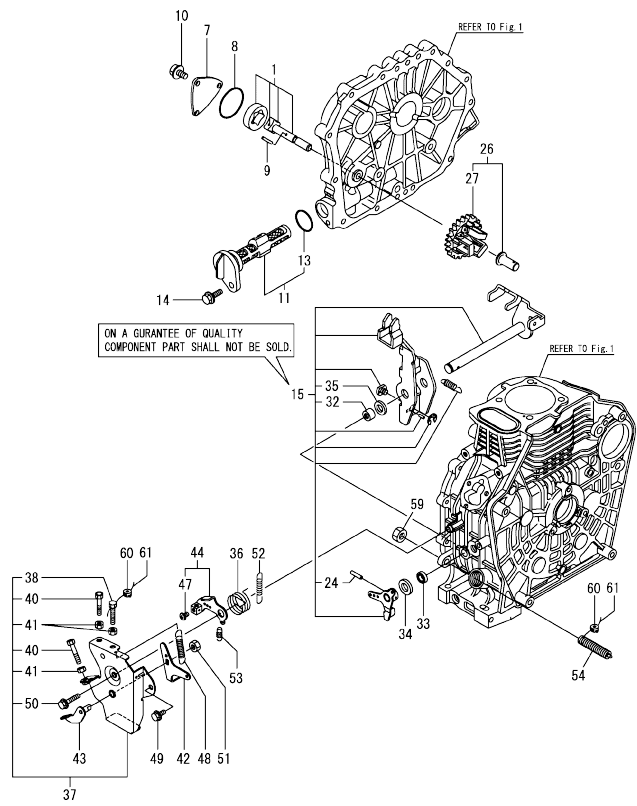
(D)=
(E)=
(F)=

No.	Lev.	Parts No.	Description	Q'ty						I	R
				(A)	(B)	(C)	(D)	(E)	(F)		
1	1	714320-14580	CAMSHAFT ASSY	1							
6	1	114310-14200	TAPPET	2							
7	1	114210-14300	TAPPET ASSY,ROLLER	1							
12	1	114310-14400	ROD ASSY, PUSH	2							
13	1	11431C-21710	CRANKSHAFT ASSY,D	1							
21	1	114699-21220	NUT	1							
22	1	114699-21550	WASHER	1							
23	1	114699-21600	FLYWHEEL ASSY, DE	1							
26	2	114699-21630	RING, GEAR	1							
27	1	22512-050140	KEY, 5X 14	1							
28	1	714320-22720	PISTON W/RINGS (D	1							
30	2	714310-22500	RING SET, PISTON	1							
36	1	114699-22300	PIN, PISTON D=23	1							
37	1	129792-22400	CIRCLIP, 23	2							
38	1	71431C-23010	ROD ASSY, CONNECTING	1							
41	3	124060-23100	BEARING, PISTON PIN	1							
42	3	119810-23200	BOLT, CONNECTING ROD	2							
43	2	714650-23600	BEARING, CRANK PIN	1							
45	1	714310-28510	SHAFT ASSY, BALANCER	1							
50	1	24101-063040	BEARING, BALL 6304C3	2							
51	1	714320-22620	PISTON W/RING OS=.25	1							1
53	2	714310-22540	RING SET O.S=.025	1							1
57	1	714320-22580	PISTON W/RING .50OS	1							2
59	2	714310-22550	RING SET O.S=.50	1							2
63	1	714650-23610	BEARING ASSY, 0.25	1							3
65	1	714650-23620	BEARING, 0.50 US	1							4

Remarks

- (1)OVER SIZED(O.S.=0.25)PART.
- (2)OVER SIZED(O.S.=0.50)PART.
- (3)UNDER SIZED(U.S.=0.25)PART.
- (4)UNDER SIZED(U.S.=0.50)PART.

Fig.5. LUB.OIL PUMP & GOVERNOR



(A)=L100N6FF1P1AAFT
(B)=
(C)=

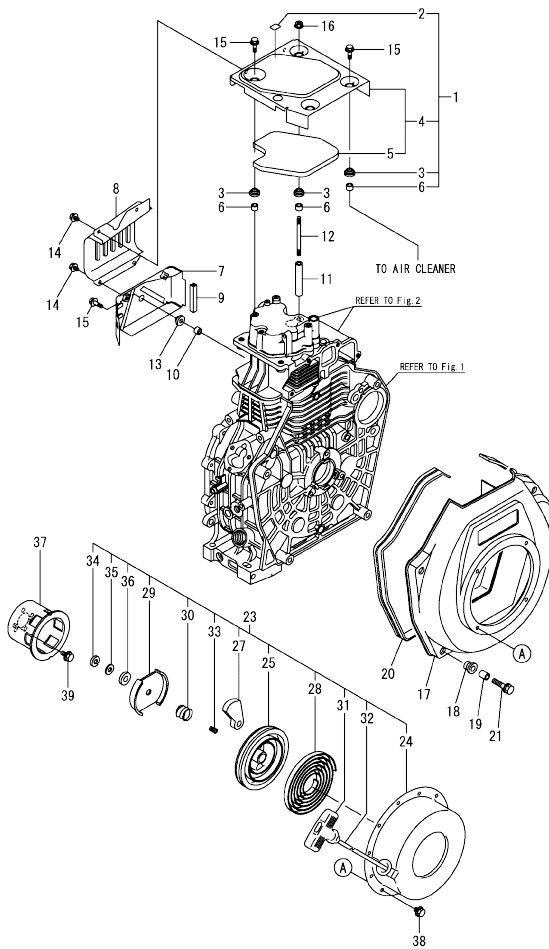
(D)=
(E)=
(F)=

No.	Lev.	Parts No.	Description	Q'ty						I	R
				(A)	(B)	(C)	(D)	(E)	(F)		
1	1	114650-32010	PUMP ASSY, OIL	1							
7	1	114299-32070	COVER	1							
8	1	114299-32570	O-RING	1							
9	1	22312-030160	PIN, PARALLEL M3X16	1							
10	1	26106-060122	BOLT, M6X 12 PLATED	3							
11	1	114299-35110	FILTER ASSY, OIL	1							
13	2	24341-000224	O-RING, 1AS22.4	1							
14	1	26106-060162	BOLT, M6X 16 PLATED	1							
15	1	114311-61500	LEVER ASSY, GOVERNOR	1							
24	2	22322-030200	PIN, TAPER 3X20	1							
26	1	714210-61701	GOVERNOR ASSY	1							
27	2	114210-61290	WEIGHT ASSY, GOVERNOR	1							
32	1	114770-61520	BEARING, NEEDLE	2							
33	1	114299-61600	SEAL, OIL	1							
34	1	114770-61610	WASHER, THRUST	1							
35	1	114299-61190	WASHER	1							
36	1	114299-66250	SPRING, RETURN	1							
37	1	714299-66901	SPEED CONTROL TP 01	1							
38	2	114299-66440	BOLT, ADJUSTING	1							
40	2	114299-67080	BOLT, ADJUSTING	2							
41	2	26757-060002	NUT, LOCK M6	3							
42	1	114299-66920	LEVER, STOP	1							
43	1	114299-66932	LEVER, STOP OUT	1							
44	1	114299-66940	LEVER ASSY,REGULATOR	1							
47	2	26117-050089	BOLT, M5X 8 PLATED	1							
48	1	114310-66950	SPRING, STOP TILLER	1							
49	1	26106-060142	BOLT, M6X 14 PLATED	1							
50	1	26106-060302	BOLT, M6X 30 PLATED	1							
51	1	26757-080002	NUT, LOCK M8	1							
52	1	114320-66010	SPRING, REGULATOR	1							
53	1	114299-66200	SPRING, RETURN	1							
54	1	114320-66600	LIMITER ASSY, FUEL	1							
59	1	26776-100002	NUT, LOCK M10	1							
60	1	114780-61090	TIN	2							
61	1	22451-060000	WIRE, 0.6	2							

Fig.6. COOLING & STARTING DEVICE

(A)=L100N6FF1P1AAFT
(B)=
(C)=

(D)=
(E)=
(F)=



No.	Lev.	Parts No.	Description	Q'ty						I	R
				(A)	(B)	(C)	(D)	(E)	(F)		
1	1	714310-45100	TOP COVER, ASSY	1							
2	2	114210-07200	LABEL, DECOMPRESSION	1							
3	2	114299-45220	GROMMET	4							
4	2	114310-45300	COVER, TOP	1							
5	3	114310-45310	DAMPER	1							
6	2	114399-45340	COLLAR	4							
7	1	114310-45260	COVER B, SIDE	1							
8	1	114310-45270	COVER A, SIDE	1							
9	1	114399-45320	RUBBER, SEAL	1							
10	1	114399-45340	COLLAR	1							
11	1	114310-45350	SPACER, TOP COVER	1							
12	1	114310-45360	STUD BOLT, TOP COVER	1							
13	1	114299-45220	GROMMET	1							
14	1	26106-060082	BOLT, M6X 8 PLATED	4							
15	1	26106-060202	BOLT, M6X 20 PLATED	4							
16	1	26366-060002	NUT, M6	1							
17	1	114310-45100	FAN CASE	1							
18	1	114299-45301	RUBBER, CUSHION	4							
19	1	114299-45310	COLLAR	4							
20	1	114699-45330	SEAL, FAN CASE	1							
21	1	114299-45350	BOLT, FAN CASE	4							
23	1	114699-76251	STARTER ASSY, RECOIL	1							
24	2	114699-76510	CASE, STARTER	1							
25	2	114699-76521	REEL, RECOIL	1							
27	2	114699-76531	RATCHET	2							
28	2	114399-76540	SPRING, SPIRAL	1							
29	2	114699-76551	GUIDE, RATCHET	1							
30	2	114699-76560	SPRING, FRICTION	1							
31	2	114399-76620	KNOB, STARTER	1							
32	2	114699-76630	ROPE, STARTER	1							
33	2	114699-76650	SPRING, RETURN	1							
34	2	114699-76660	CIRCLIP	1							
35	2	114699-76670	WASHER	1							
36	2	114699-76680	WASHER	1							
37	1	114699-76592	PULLEY, STARTER	1							
38	1	26106-060082	BOLT, M6X 8 PLATED	4							
39	1	26106-060122	BOLT, M6X 12 PLATED	3							

Fig.7. F.I.PUMP & F.I.VALVE

(A)=L100N6FF1P1AAFT
(B)=
(C)=

(D)=
(E)=
(F)=

No.	Lev.	Parts No.	Description	Q'ty						I	R
				(A)	(B)	(C)	(D)	(E)	(F)		
1	1	714339-51200	FOP ASSY	1							
2	2	105546-51020	GASKET	1							
3	2	114250-51080	PLATE	1							
4	2	114339-51100	BODY ASSY, PUMP	1							
10	4	22351-020006	PIN, SPRING 2.0X 6	2							
11	2	114250-51160	SPRING, PLUNGER	1							
12	2	114650-51300	VALVE ASSY, DELIVERY	1							
15	2	105546-51330	SPRING, DELIVERY	1							
16	2	114250-51340	HOLDER, DELIVERY	1							
17	2	124550-51350	GASKET, DELIVERY	2							
18	2	114250-51600	LEVER, CONTROL	1							
19	2	114250-51640	SEAT, SPRING	1							
20	2	114250-51650	SEAT, SPRING	1							
21	2	22351-030008	PIN, SPRING 3.0X 8	1							
22	1	714339-53200	FUEL INJECTOR ASSY	1							
23	2	114250-53080	NUT, NOZZLE	1							
24	2	114339-53100	HOLDER ASSY, NOZZLE	1							
29	2	114250-53120	SPRING, NOZZLE	1							
30	2	114250-53130	SEAT, SPRING	1							
31	2	114250-53140	SPACER	1							
32	2	114339-53200	VALVE ASSY, INJECTION	1							
35	2	114250-53210	PIN	2							
36	2	114250-53400	SHIM SET	1							

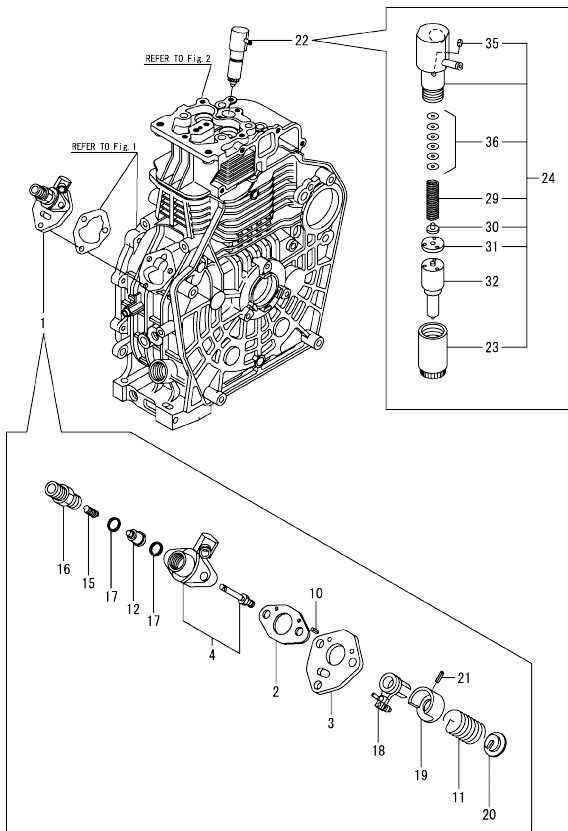
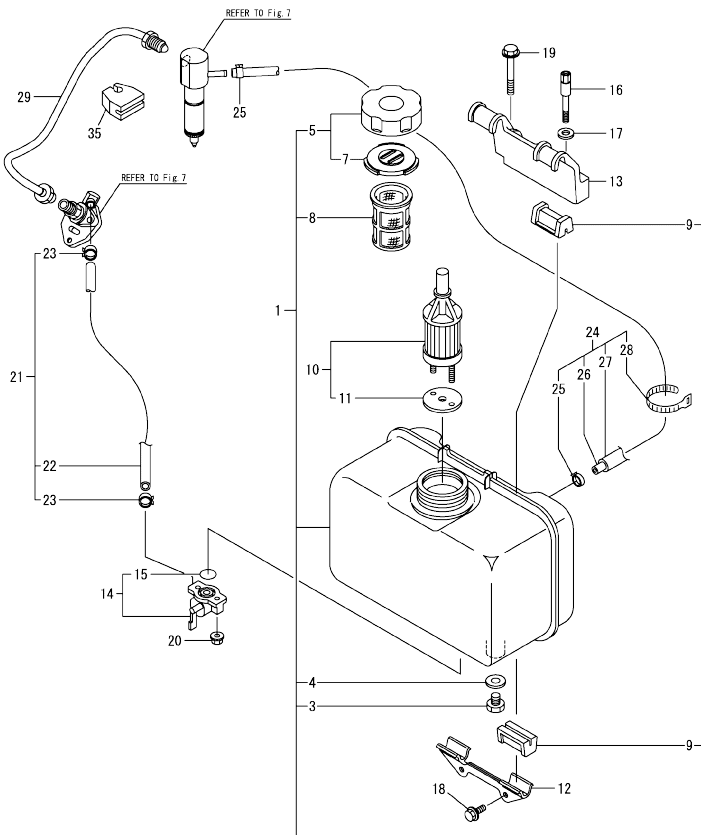


Fig.8. FUEL TANK & FUEL PIPE



(A)=L100N6FF1P1AAFT
(B)=
(C)=

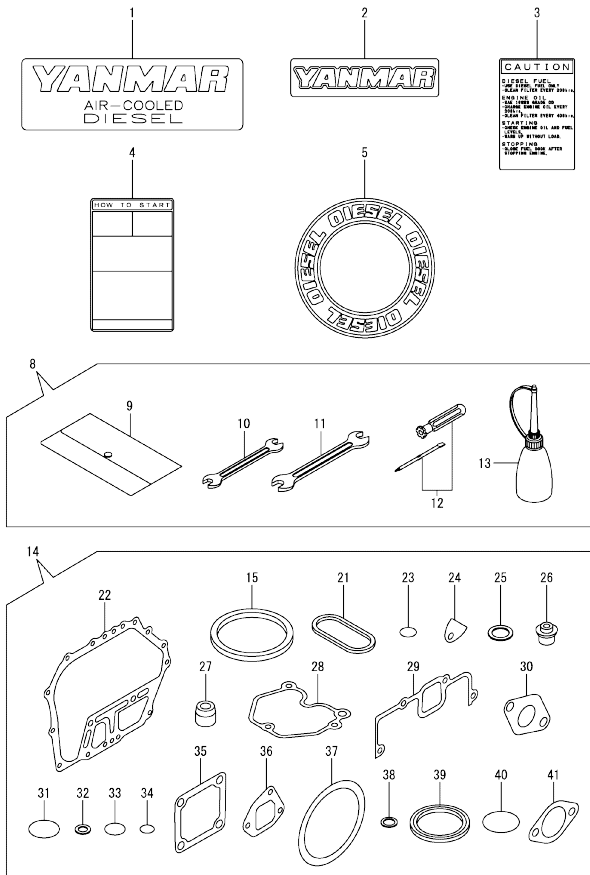
(D)=
(E)=
(F)=

No.	Lev.	Parts No.	Description	Q'ty						I	R
				(A)	(B)	(C)	(D)	(E)	(F)		
1	1	714310-55700	TANK, FUEL	1							
3	3	114299-55080	PLUG, DRAIN	1							
4	3	23414-080000	GASKET, 8X1.0	1							
5	2	114288-55041	CAP ASSY	1							
7	3	114288-55081	VALVE	1							
8	2	114299-55100	ELEMENT, FUEL FILTER	1							
9	2	114250-55201	DAMPER, FUEL TANK	4							
10	1	114250-55121	FILTER ASSY, FUEL	1							
11	2	114250-55130	GASKET	1							
12	1	114210-55210	STAY A, FUEL TANK	1							
13	1	114310-55230	STAY B, FUEL TANK	1							
14	1	114250-55301	COCK ASSY, FUEL	1							
15	2	24341-000150	O-RING, 1AS15.0	1							
16	1	114210-55810	BOLT, LIFTING	1							
17	1	22117-080000	WASHER, 8	1							
18	1	26106-060162	BOLT, M6X 16 PLATED	2							
19	1	26106-080452	BOLT, M8X 45 PLATED	1							
20	1	26368-060002	NUT, M6	2							
21	1	114780-59010	PIPE ASSY, FUEL L50	1							
22	2	114780-59060	PIPE, FUEL L=50	1							
23	2	23080-014000	CLAMP, 14	2							
24	1	114310-59300	PIPE ASSY, RETURN	1							
25	2	124722-59050	CLAMP, HOSE 9	2							
26	2	114310-59060	PIPE, FUEL RETURN	1							
27	2	114310-59310	TUBE, PROTECTOR	1							
28	2	121750-59890	BAND, NYLON	1							
29	1	114310-59800	PIPE, FUEL INJECTION	1							
35	1	114699-59850	SUPPORT, PIPE	1							

Fig.9. TOOL, LABEL & GASKET SET

(A)=L100N6FF1P1AAFT
(B)=
(C)=

(D)=
(E)=
(F)=



No.	Lev.	Parts No.	Description	Qty						I	R
				(A)	(B)	(C)	(D)	(E)	(F)		
1	1	114299-07100	LABEL, YANMAR MARK A	1							
2	1	114299-07110	LABEL, YANMAR	1							
3	1	114210-07120	LABEL, CAUTION	1							
4	1	114210-07130	LABEL HOW TO START-E	1							
5	1	114299-07160	LABEL, DIESEL	1							
8	1	114299-92590	BOX, TOOL	1							
9	2	114299-92600	BAG, TOOL	1							
10	2	114299-92710	WRENCH	1							
11	2	114299-92720	WRENCH	1							
12	2	114299-92730	DRIVER	1							
13	2	114299-92740	DIPSTICK	1							
14	1	114320-92600	GASKET SET	1							1
15	2	114695-01330	GASKET, HEAD	1							
21	2	114699-01380	O-RING	1							
22	2	114699-01410	GASKET, CRANK CASE	1							
23	2	114299-01950	O-RING, 18	2							
24	2	114250-01841	GASKET	1							
25	2	22190-160002	WASHER, SEAL 16	2							
26	2	114650-11340	SEAL, VALVE STEM	2							
27	1	114240-11450	PROTECTOR, NOZZLE	1							
28	2	114310-11310	GASKET, BONNET	1							
29	2	114310-12210	GASKET, AIR CLEANER	1							
30	2	114310-13200	GASKET, MUFFLER	1							
31	2	114299-32570	O-RING	1							
32	2	23414-080000	GASKET, 8X1.0	1							
33	2	24341-000224	O-RING, 1AS22.4	1							
34	2	24341-000150	O-RING, 1AS15.0	2							
35	2	129100-77510	GASKET, AIR HEATER	3							
36	2	114699-12210	GASKET, AIR CLEANER	2							
37	2	114399-21980	GASKET	1							
38	2	23414-120000	GASKET, 12X1.0	1							
39	2	160393-55050	GASKET	4							
40	2	24311-000400	O-RING, 1AP40.0	1							
41	2	183671-13211	GASKET, MUFFLER	1							

Remarks
(1)OPTIONAL

N:Old $\frac{100}{100}$ New, Q:Old $\frac{100}{100}$ New, R:Old $\frac{100}{100}$ New, S:Old $\frac{100}{100}$ New, W:Add, Z:Discontinued, F:Interchangeable by set, K:Qty Change
Copyright (C) YANMAR CO., LTD. All Rights Reserved.

Parts No. Index

Parts No.	Fig. No.	Ref. No.
104211-11370	2	26
105546-51020	7	2
105546-51330	7	15
114210-03590	2	38
114210-07120	9	3
114210-07130	9	4
114210-07200	6	2
114210-11901	2	30
114210-12500	3	8
114210-12560	3	12
114210-12590	3	13
114210-12600	3	16
114210-12610	3	11
114210-14300	4	7
114210-55210	8	12
114210-55810	8	16
114210-61290	5	27
114240-11450	2	27
	9	27
114240-11550	2	28
114250-01841	1	20
	9	24
114250-51080	7	3
114250-51160	7	11
114250-51340	7	16
114250-51600	7	18
114250-51640	7	19
114250-51650	7	20
114250-53080	7	23
114250-53120	7	29
114250-53130	7	30
114250-53140	7	31
114250-53210	7	35
114250-53400	7	36
114250-55121	8	10
114250-55130	8	11
114250-55201	8	9
114250-55301	8	14
114288-55041	8	5
114288-55081	8	7
114299-01600	1	7
114299-01690	1	33
114299-01800	1	8
114299-01830	1	19
114299-01950	1	36
	9	23
114299-02030	1	41
114299-03640	2	41
114299-07100	9	1
114299-07110	9	2

Parts No.	Fig. No.	Ref. No.
114299-07160	9	5
114299-11240	2	19
		23
114299-12300	3	2
114299-32070	5	7
114299-32570	5	8
	9	31
114299-35110	5	11
114299-35150	1	31
114299-45220	6	3
		13
114299-45301	6	18
114299-45310	6	19
114299-45350	6	21
114299-55080	8	3
114299-55100	8	8
114299-61190	5	35
114299-61600	5	33
114299-66200	5	53
114299-66250	5	36
114299-66440	5	38
114299-66920	5	42
114299-66932	5	43
114299-66940	5	44
114299-67080	5	40
114299-92590	9	8
114299-92600	9	9
114299-92710	9	10
114299-92720	9	11
114299-92730	9	12
114299-92740	9	13
114310-01020	1	1
114310-01200	2	1
114310-01210	2	2
114310-01450	1	27
114310-11100	2	8
114310-11110	2	9
114310-11120	2	10
114310-11180	2	11
114310-11250	2	14
114310-11260	2	15
114310-11280	2	16
114310-11310	2	35
	9	28
114310-11650	2	17
114310-11660	2	21
114310-11930	2	12
114310-11950	2	36
114310-12010	3	4
114310-12210	3	1

Parts No.	Fig. No.	Ref. No.
114310-12210	9	29
114310-12511	3	3
114310-13200	3	19
	9	30
114310-14200	4	6
114310-14400	4	12
114310-45100	6	17
114310-45260	6	7
114310-45270	6	8
114310-45300	6	4
114310-45310	6	5
114310-45350	6	11
114310-45360	6	12
114310-55230	8	13
114310-59060	8	26
114310-59300	8	24
114310-59310	8	27
114310-59800	8	29
114310-66950	5	48
114311-61500	5	15
11431C-21710	4	13
114320-11020	2	3
114320-13800	3	28 -1
114320-66010	5	52
114320-66600	5	54
114320-92600	9	14
114339-51100	7	4
114339-53100	7	24
114339-53200	7	32
114399-01700	1	39
114399-21960	1	48
114399-21980	1	49
	9	37
114399-45320	6	9
114399-45340	6	6
		10
114399-76540	6	28
114399-76620	6	31
114650-02101	1	29
114650-02150	1	42
114650-02200	1	51
114650-02210	1	52
114650-11340	2	25
	9	26
114650-32010	5	1
114650-51300	7	12
114695-01330	9	15
114695-01340	1	5
114699-01380	1	6
	9	21

Parts No.	Fig. No.	Ref. No.
114699-01410	1	26
	9	22
114699-01760	1	34
114699-11600	2	29
114699-12210	9	36
114699-13552	3	20
114699-13562	3	21
114699-13700	3	22
114699-13710	3	23
114699-13720	3	24
114699-13800	3	28
114699-21220	4	21
114699-21550	4	22
114699-21600	4	23
114699-21630	4	26
114699-22300	4	36
114699-45330	6	20
114699-59850	8	35
114699-76251	6	23
114699-76510	6	24
114699-76521	6	25
114699-76531	6	27
114699-76551	6	29
114699-76560	6	30
114699-76592	6	37
114699-76630	6	32
114699-76650	6	33
114699-76660	6	34
114699-76670	6	35
114699-76680	6	36
114770-61520	5	32
114770-61610	5	34
114780-59010	8	21
114780-59060	8	22
114780-61090	5	60
114940-01870	1	37 -1
119810-23200	4	42
121750-59890	8	28
124060-23100	4	41
124550-51350	7	17
124722-59050	8	25
129100-77510	9	35
129792-22400	4	37
160110-01870	1	37
160393-55050	9	39
183671-13211	9	41
22117-080000	8	17
22190-160002	1	38
	9	25
22312-030160	2	43

Parts No. Index

Parts No.	Fig. No.	Ref. No.
22312-030160	5	9
22312-040080	1	21
22322-030200	5	24
22351-020006	7	10
22351-030008	7	21
22351-040008	2	31
22451-060000	5	61
22512-050140	4	27
23080-014000	8	23
23414-080000	8	4
	9	32
23414-120000	9	38
23875-020000	1	22
23876-010000	1	47
24101-063040	4	50
24162-152220	1	43
24311-000400	9	40
24341-000150	8	15
	9	34
24341-000224	5	13
	9	33
24423-355008	1	44
		45
26106-060082	6	14
		38
26106-060122	5	10
	6	39
26106-060142	5	49
26106-060162	5	14
	8	18
26106-060202	6	15
26106-060302	5	50
26106-060402	3	17
26106-060652	2	47
26106-080122	1	46
26106-080202	3	25
26106-080352	1	32
26106-080452	8	19
26106-080502	2	32
26106-100122	1	40
26117-050089	5	47
26216-080182	3	26
26226-060182	1	23
26226-060222	1	24
26226-060352	3	18
26226-060552	2	33
26366-060002	1	25
	2	34
	6	16
	8	20

Parts No.	Fig. No.	Ref. No.
26366-080002	3	27
26453-080252	1	50
26757-060002	5	41
26757-080002	5	51
26776-100002	5	59
26856-060002	2	20
		24
714210-61701	5	26
714299-66901	5	37
714310-22500	4	30
714310-22540	4	53
714310-22550	4	59
714310-28510	4	45
714310-45100	6	1
714310-55700	8	1
71431C-23010	4	38
714320-14580	4	1
714320-22580	4	57
714320-22620	4	51
714320-22720	4	28
714339-51200	7	1
714339-53200	7	22
714650-23600	4	43
714650-23610	4	63
714650-23620	4	65

Parts No.	Fig. No.	Ref. No.
-----------	----------	----------

Parts No.	Fig. No.	Ref. No.
-----------	----------	----------