

0CC50-M00860EN

P R E F A C E

This parts catalog is the 1st edition of L100N6FF9Z1EAER for ERREPPI.

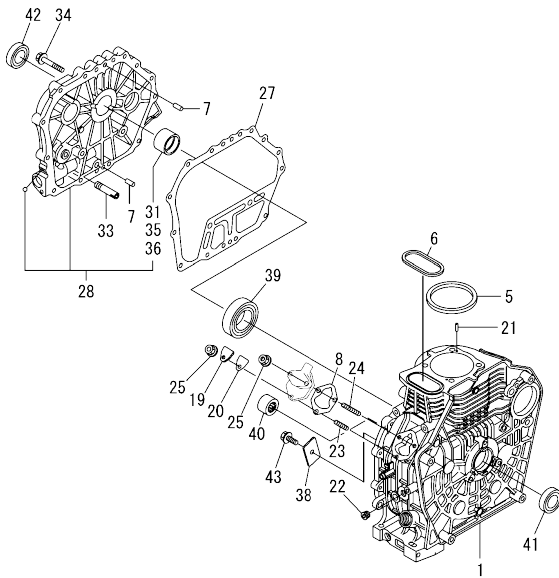
Published : January, 2016

Contents

0CC50-M00860

Fig. No.	Fig. Name	Fig. No.	Fig. Name
ENGINE			
1.	CYLINDER BLOCK		
2.	DRAIN PLUG		
3.	LABEL		
4.	CYLINDER HEAD & BONNET		
5.	SUCTION MANIFOLD		
6.	EXHAUST MUFFLER		
7.	CAMSHAFT		
8.	CRANKSHAFT		
9.	FLYWHEEL		
10.	PISTON & CONNECTING ROD		
11.	BALANCER SHAFT		
12.	LUB. OIL PUMP & GOVERNOR		
13.	SWITCH CAP(OIL PRESSURE)		
14.	COVER		
15.	COOLING FAN CASE		
16.	FUEL INJECTION PUMP & FUEL INJECTION VALVE		
17.	CONTROL DEVICE		
18.	RECOIL STARTER		
19.	ACCESSORY		
20.	GASKET SET & TOOL		

Fig.1. CYLINDER BLOCK



(A)=L100N6FF9Z1EAER
(B)=
(C)=

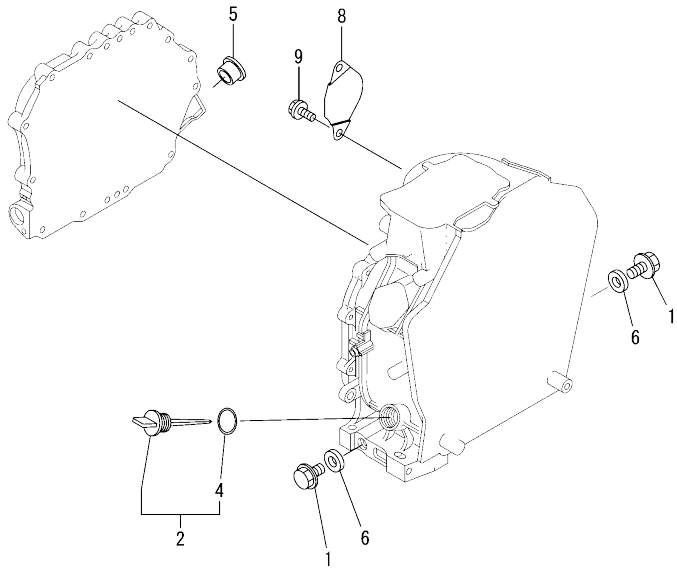
(D)=
(E)=
(F)=

No.	Lev.	Parts No.	Description	Q'ty						I	R
				(A)	(B)	(C)	(D)	(E)	(F)		
1	1	114310-01020	BLOCK ASSY, CYLINDER	1							
5	1	114695-01341	GASKET, HEAD 0.5	1							
6	1	114699-01380	O-RING	1							
7	1	114299-01600	PIN, 8X12	2							
8	1	114299-01800	SHIM SET	1							
19	1	114299-01830	COVER	1							
20	1	114250-01841	GASKET	1							
21	1	22312-040080	PIN, PARALLEL M4X 8	2							
22	1	23875-020000	PLUG, R02	1							
23	1	26226-060182	STUD, M6X 18	1							
24	1	26226-060222	STUD, M6X 22	2							
25	1	26366-060002	NUT, M6	3							
27	1	114699-01410	GASKET, CRANK CASE	1							
28	1	114310-01450	COVER(D, CRANK CASE	1							
31	2	114650-02100	BEARING, MAIN	1							1
33	1	114299-35150	PIPE, OIL INLET	1							
34	1	26106-080352	BOLT, M8X 35 PLATED	16							
35	1	114650-02200	BEARING, MAIN 0.25	1							2
36	1	114650-02210	BEARING, MAIN 0.50	1							3
38	1	114299-02030	RETAINER, BEARING	1							
39	1	114650-02150	BEARING, HR6308G3C3	1							
40	1	24162-152220	BEARING, 152220	1							
41	1	24423-355008	SEAL, OIL TC355008	1							
42	1	24423-355008	SEAL, OIL TC355008	1							
43	1	26106-080122	BOLT, M8X 12 PLATED	1							

Remarks
(1)Spare parts.
(2)Under-sized(U.S.=0.25) parts.
(3)Under-sized(U.S.=0.50) parts.

OCC50-M00860 ENGINE
 Fig.2. DRAIN PLUG

OCC50-M00860 Fig.2

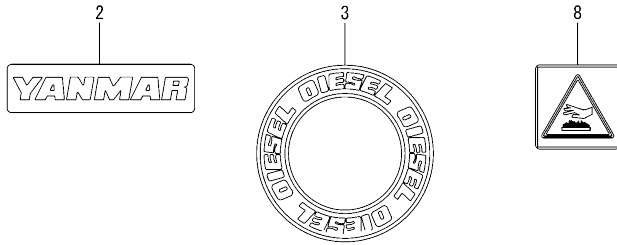


(A)=L100N6FF9Z1EAER
 (B)=
 (C)=

(D)=
 (E)=
 (F)=

No.	Lev.	Parts No.	Description	Q'ty						I	R
				(A)	(B)	(C)	(D)	(E)	(F)		
1	1	114299-01690	PLUG, DRAIN 16	2							
2	1	114699-01760	CAP ASSY, OIL SUPPLY	1							
4	2	114299-01950	O-RING, 18	1							
5	1	160110-01870	PLUG, RUBBER 22	1							
5-1	1	114940-01870	PLUG, RUBBER 22	1							N
(A=2019.02)											
6	1	22190-160002	WASHER, SEAL 16	2							
8	1	114399-01700	COVER, STARTER	1							
9	1	26106-100122	BOLT, M10X 12 PLATED	2							

Fig.3. LABEL



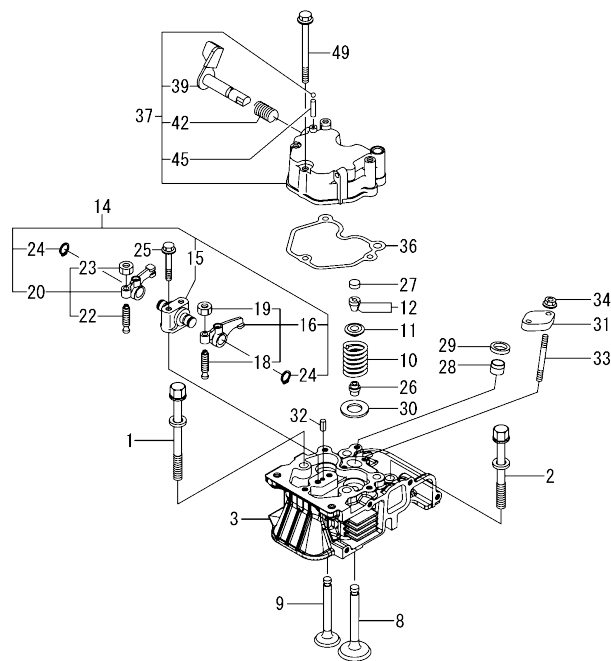
(A)=L100N6FF9Z1EAER
(B)=
(C)=

(D)=
(E)=
(F)=

No.	Lev.	Parts No.	Description	Q'ty						I	R
				(A)	(B)	(C)	(D)	(E)	(F)		
2	1	114299-07111	LABEL, YANMAR MARK B	1							
3	1	114299-07160	LABEL, DIESEL	1							
8	1	114220-07130	LABEL, HOT SURFACE	1							

Blank area for additional notes or specifications.

Fig.4. CYLINDER HEAD & BONNET

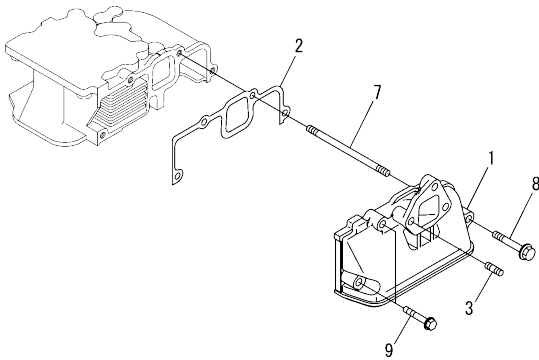


(A)=L100N6FF9Z1EAER
(B)=
(C)=

(D)=
(E)=
(F)=

No.	Lev.	Parts No.	Description	Qty						I	R
				(A)	(B)	(C)	(D)	(E)	(F)		
1	1	114310-01200	BOLT, CYL HEAD A	2							
2	1	114310-01210	BOLT, CYL HEAD B	2							
3	1	11432C-11020	HEAD ASSY, CYLINDER	1							
8	1	11431C-11100	VALVE, INTAKE	1							
9	1	11431C-11110	VALVE, EXHAUST	1							
10	1	114310-11120	SPRING, VALVE	2							
11	1	114310-11180	RETAINER, SPRING	2							
12	1	114310-11930	COTTER ASSY	2							
14	1	11431C-11250	SUPPORT ASSY, ARM	1							
15	2	11431C-11260	SUPPORT, ROCKER ARM	1							
16	2	11431C-11650	ARM, ROCKER	1							
18	3	114250-11240	SCREW, VALVE ADJUST	1							
19	3	26856-060002	NUT, M6	1							
20	2	11431C-11660	ARM, ROCKER	1							
22	3	114250-11240	SCREW, VALVE ADJUST	1							
23	3	26856-060002	NUT, M6	1							
24	2	22242-000150	RING, 15	2							
25	1	114310-11290	BOLT, SUPPORT	2							
26	1	114650-11341	SEAL, VALVE STEM	2							
27	1	104211-11370	CAP, VALVE	2							
28	1	114240-11450	PROTECTOR, NOZZLE	1							
29	1	114240-11550	SEAT, NOZZLE	1							
30	1	114699-11600	WASHER	2							
31	1	114210-11901	RETAINER, NOZZLE	1							
32	1	22351-040008	PIN, SPRING 4.0X 8	1							
33	1	26226-060552	STUD, M6X 55	2							
34	1	26366-060002	NUT, M6	2							
36	1	114310-11310	GASKET, BONNET	1							
37	1	114310-11950	BONNET ASSY, HEAD	1							
39	2	114210-03590	DECOMPRESSION ASSY	1							
42	2	114299-03640	SPRING, DECOMPRESSION	1							
45	2	22312-030160	PIN, PARALLEL M3X16	1							
49	1	26106-060652	BOLT, M6X 65 PLATED	3							

Fig.5. SUCTION MANIFOLD

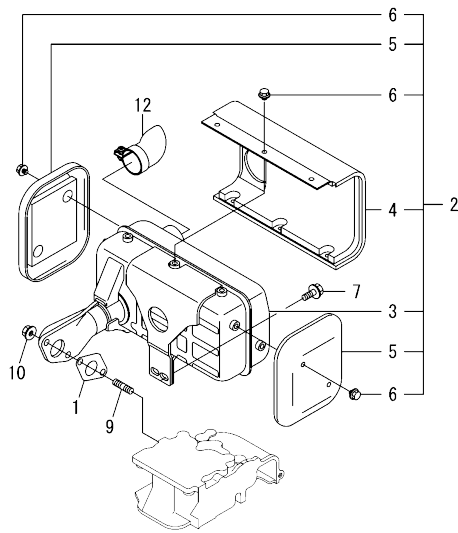


(A)=L100N6FF9Z1EAER
(B)=
(C)=

(D)=
(E)=
(F)=

No.	Lev.	Parts No.	Description	Q'ty					
				(A)	(B)	(C)	(D)	(E)	(F)
1	1	114310-12050	MANIFOLD, INTAKE	1					
2	1	114310-12210	GASKET, AIR CLEANER	1					
3	1	26226-060142	STUD, M6X 14	2					
7	1	114310-45360	STUD BOLT, TOP COVER	1					
8	1	26106-060402	BOLT, M6X 40 PLATED	1					
9	1	26106-060352	BOLT, M6X 35 PLATED	2					

Fig.6. EXHAUST MUFFLER



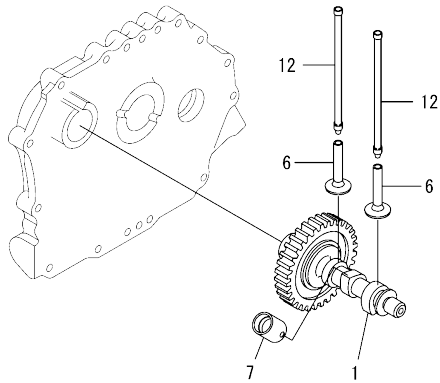
(A)=L100N6FF9Z1EAER
(B)=
(C)=

(D)=
(E)=
(F)=

No.	Lev.	Parts No.	Description	Q'ty					
				(A)	(B)	(C)	(D)	(E)	(F)
1	1	114310-13200	GASKET, MUFFLER	1					
2	1	11431C-13550	MUFFLER ASSY	1					
3	2	11431C-13560	MUFFLER	1					
4	2	11431C-13700	COVER	1					
5	2	11431C-13710	COVER	2					
6	2	11431C-13720	BOLT, M6	10					
7	1	26106-080202	BOLT, M8X 20 PLATED	2					
9	1	26216-080182	STUD, M8X 18	2					
10	1	26306-080002	NUT, M8	2					
12	1	114320-13800	DEFLECTOR ASSY, EXH	1					

OCC50-M00860 ENGINE
 Fig.7. CAMSHAFT

OCC50-M00860 Fig.7



(A)=L100N6FF9Z1EAER
 (B)=
 (C)=

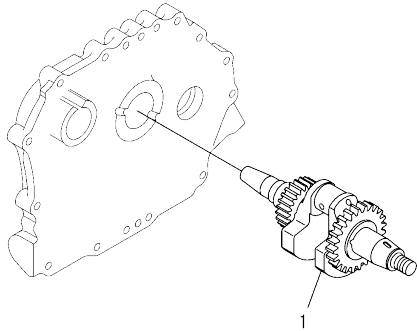
(D)=
 (E)=
 (F)=

No.	Lev.	Parts No.	Description	Q'ty					
				(A)	(B)	(C)	(D)	(E)	(F)
1	1	71432C-14010	CAMSHAFT ASSY	1					
6	1	114310-14200	TAPPET	2					
7	1	114210-14300	TAPPET ASSY, ROLLER	1					
12	1	114310-14400	ROD ASSY, PUSH	2					

OCC50-M00860 ENGINE

Fig.8. CRANKSHAFT

OCC50-M00860 Fig.8



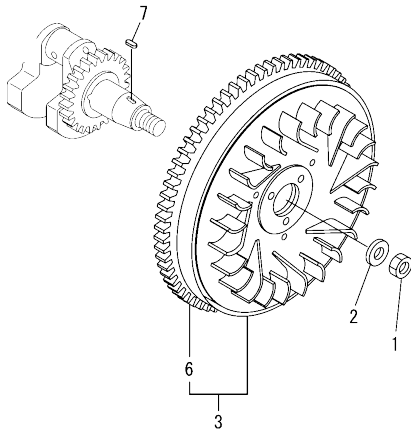
(A)=L100N6FF9Z1EAER
(B)=
(C)=

(D)=
(E)=
(F)=

No.	Lev.	Parts No.	Description	Q'ty						I	R
				(A)	(B)	(C)	(D)	(E)	(F)		
1	1	11431C-21760	CRANKSHAFT(E-DI ASSY)	1							

N:Old $\frac{New}{Old}$ New, Q:Old $\frac{New}{Old}$ New, R:Old $\frac{New}{Old}$ New, S:Old $\frac{New}{Old}$ New, W:Add, Z:Discontinued, F:Interchangeable by set, K:Q'ty Change
Copyright (C) 2016 YANMAR CO., LTD. All Rights Reserved.

OCC50-M00860 ENGINE
 Fig.9. FLYWHEEL



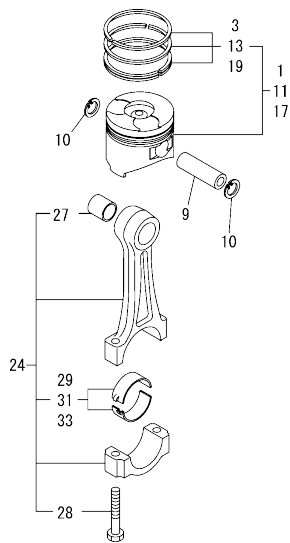
OCC50-M00860 Fig.9

(A)=L100N6FF9Z1EAER
 (B)=
 (C)=

(D)=
 (E)=
 (F)=

No.	Lev.	Parts No.	Description	Q'ty					
				(A)	(B)	(C)	(D)	(E)	(F)
1	1	114699-21220	NUT	1					
2	1	114699-21550	WASHER	1					
3	1	114699-21600	FLYWHEEL ASSY, DE	1					
6	2	114699-21630	RING, GEAR	1					
7	1	22512-050140	KEY, 5X 14	1					

Fig.10. PISTON & CONNECTING ROD



(A)=L100N6FF9Z1EAER
(B)=
(C)=

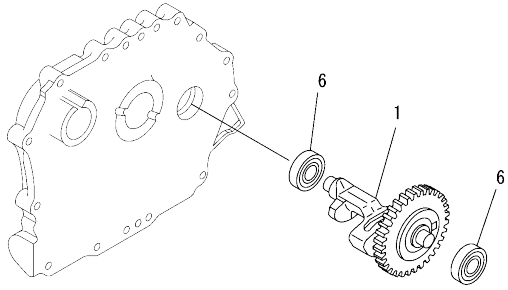
(D)=
(E)=
(F)=

No.	Lev.	Parts No.	Description	Q'ty						I	R
				(A)	(B)	(C)	(D)	(E)	(F)		
1	1	714320-22720	PISTON W/RINGS (D)	1							
3	2	714310-22500	RING SET, PISTON	1							
9	1	114699-22300	PIN, PISTON D=23	1							
10	1	114310-22500	SEEGER RING, J23	2							
11	1	714320-22620	PISTON W/RING .25OS	1							1
13	2	714310-22540	RING SET O.S.=0.25	1							1
17	1	714320-22580	PISTON W/RING .50OS	1							2
19	2	714310-22550	RING SET O.S.=0.50	1							2
24	1	71431C-23010	ROD ASSY, CONNECTING	1							
27	3	124060-23100	BEARING, PISTON PIN	1							
28	3	114310-23200	BOLT, CONNECTING ROD	2							
29	2	714650-23600	BEARING, CRANK PIN	1							
31	1	714650-23610	BEARING ASSY, 0.25	1							3
33	1	714650-23620	BEARING, 0.50 US	1							4

Remarks

- (1)Over-sized(O.S.=0.25) parts.
- (2)Over-sized(O.S.=0.50) parts.
- (3)Under-sized(U.S.=0.25) parts.
- (4)Under-sized(U.S.=0.50) parts.

Fig.11. BALANCER SHAFT

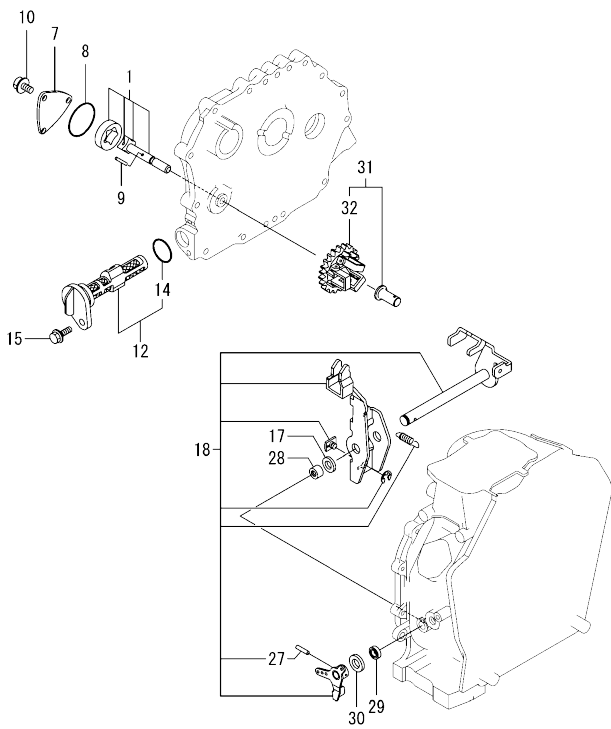


(A)=L100N6FF9Z1EAER
(B)=
(C)=

(D)=
(E)=
(F)=

No.	Lev.	Parts No.	Description	Q'ty					
				(A)	(B)	(C)	(D)	(E)	(F)
1	1	714310-28510	SHAFT ASSY, BALANCER	1					
6	1	24101-063040	BEARING, BALL 6304C3	2					

Fig.12. LUB. OIL PUMP & GOVERNOR



(A)=L100N6FF9Z1EAER
(B)=
(C)=

(D)=
(E)=
(F)=

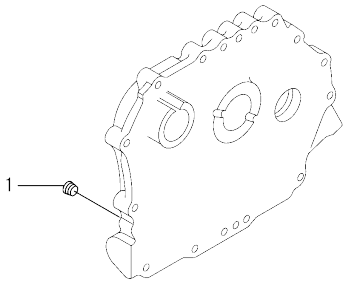
No.	Lev.	Parts No.	Description	Q'ty						I	R
				(A)	(B)	(C)	(D)	(E)	(F)		
1	1	114650-32010	PUMP ASSY, OIL	1							
7	1	114299-32070	COVER	1							
8	1	114299-32570	O-RING	1							
9	1	22312-030160	PIN, PARALLEL M3X16	1							
10	1	26106-060122	BOLT, M6X 12 PLATED	3							
12	1	114299-35110	FILTER ASSY, OIL	1							
14	2	24341-000224	O-RING, 1AS22.4	1							
15	1	26106-060162	BOLT, M6X 16 PLATED	1							
17	1	114299-61190	WASHER	1							
18	1	114311-61500	LEVER ASSY, GOVERNOR	1							1
27	2	22322-030200	PIN, TAPER 3X20	1							
28	1	114770-61520	BEARING, NEEDLE	2							
29	1	114299-61600	SEAL, OIL	1							
30	1	114770-61610	WASHER, THRUST	1							
31	1	714210-61701	GOVERNOR ASSY	1							
32	2	114210-61290	WEIGHT ASSY, GOVERNOR	1							

Remarks

(1) On a guarantee of quality component parts shall not be sold.

OCC50-M00860 ENGINE

Fig.13. SWITCH CAP(OIL PRESSURE)



OCC50-M00860 Fig.13

(A)=L100N6FF9Z1EAER
(B)=
(C)=

(D)=
(E)=
(F)=

No.	Lev.	Parts No.	Description	Qty						I	R
				(A)	(B)	(C)	(D)	(E)	(F)		
1	1	23876-010000	PLUG, R01	1							

OCC50-M00860 ENGINE
 Fig.14. COVER

OCC50-M00860 Fig.14

(A)=L100N6FF9Z1EAER
 (B)=
 (C)=

(D)=
 (E)=
 (F)=

No.	Lev.	Parts No.	Description	Q'ty						I	R
				(A)	(B)	(C)	(D)	(E)	(F)		
1	1	114299-45220	GROMMET	1							
2	1	114310-45260	COVER B, SIDE	1							
3	1	114399-45320	RUBBER, SEAL	1							
4	1	114399-45340	COLLAR	1							
5	1	26106-060202	BOLT, M6X 20 PLATED	1							

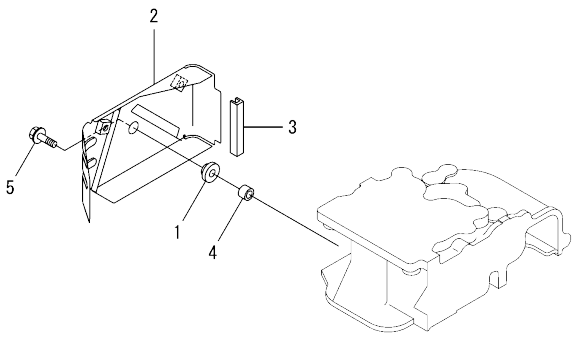
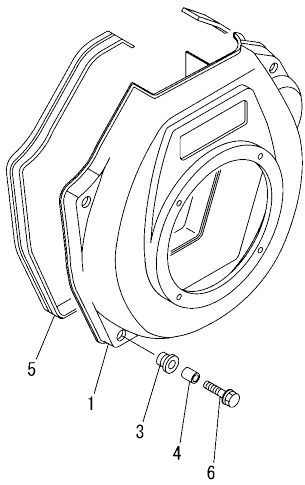


Fig.15. COOLING FAN CASE

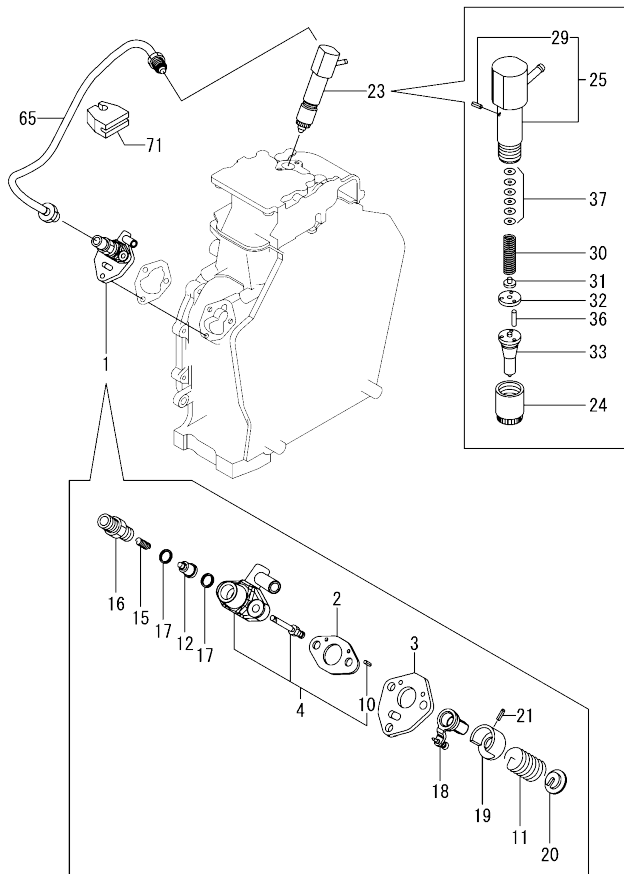


No.	Lev.	Parts No.	Description	Q'ty						I	R
				(A)	(B)	(C)	(D)	(E)	(F)		
1	1	114310-45150	CASE, COOLING FAN	1							
3	1	114299-45301	RUBBER, CUSHION	4							
4	1	114299-45310	COLLAR	4							
5	1	114699-45331	SEAL, FAN CASE	1							
6	1	114299-45350	BOLT, FAN CASE	4							

(A)=L100N6FF9Z1EAER
 (B)=
 (C)=

(D)=
 (E)=
 (F)=

Fig.16. FUEL INJECTION PUMP & FUEL INJECTION VALVE

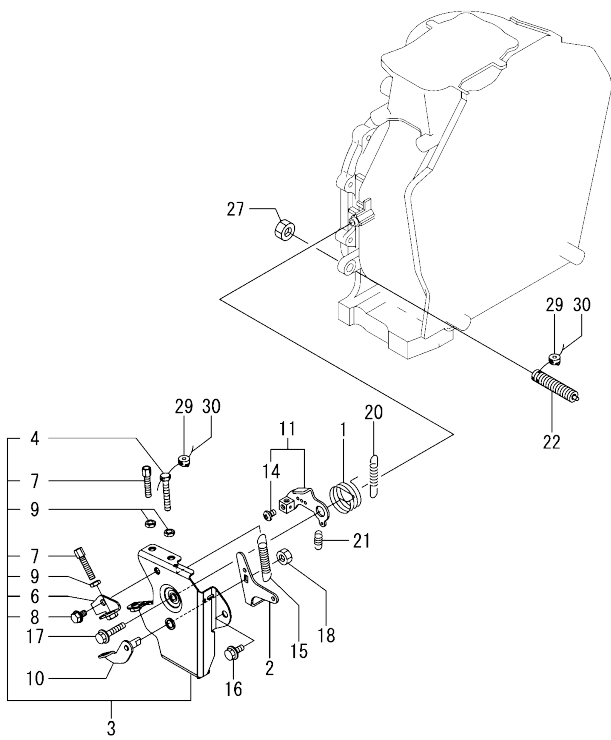


(A)=L100N6FF9Z1EAER
(B)=
(C)=

(D)=
(E)=
(F)=

No.	Lev.	Parts No.	Description	Q'ty						I	R
				(A)	(B)	(C)	(D)	(E)	(F)		
1	1	714339-51200	FOP ASSY	1							
2	2	105546-51020	GASKET	1							
3	2	114250-51080	PLATE	1							
4	2	114339-51100	BODY ASSY, PUMP	1							
10	4	22351-020006	PIN, SPRING 2.0X 6	2							
11	2	114250-51160	SPRING, PLUNGER	1							
12	2	114650-51300	VALVE ASSY, DELIVERY	1							
15	2	105546-51330	SPRING, DELIVERY	1							
16	2	114250-51340	HOLDER, DELIVERY	1							
17	2	124550-51350	GASKET, DELIVERY	2							
18	2	114250-51500	LEVER, CONTROL	1							
19	2	114250-51640	SEAT, SPRING	1							
20	2	114250-51650	SEAT, SPRING	1							
21	2	22351-030008	PIN, SPRING 3.0X 8	1							
23	1	714339-53200	FUEL INJECTOR ASSY	1							
24	2	114250-53080	NUT, NOZZLE	1							
25	2	114339-53100	HOLDER ASSY, NOZZLE	1							
29	3	22351-025005	PIN, SPRING 2.5X 6	1							
30	2	114250-53120	SPRING, NOZZLE	1							
31	2	114250-53130	SEAT, SPRING	1							
32	2	114250-53140	SPACER	1							
33	2	114339-53200	VALVE ASSY, INJECTION	1							
36	2	114250-53210	PIN	2							
37	2	119803-53400	SHIM SET	1							
65	1	114310-59800	PIPE ASSY, INJECTION	1							
71	1	114699-59850	SUPPORT, PIPE	1							

Fig.17. CONTROL DEVICE

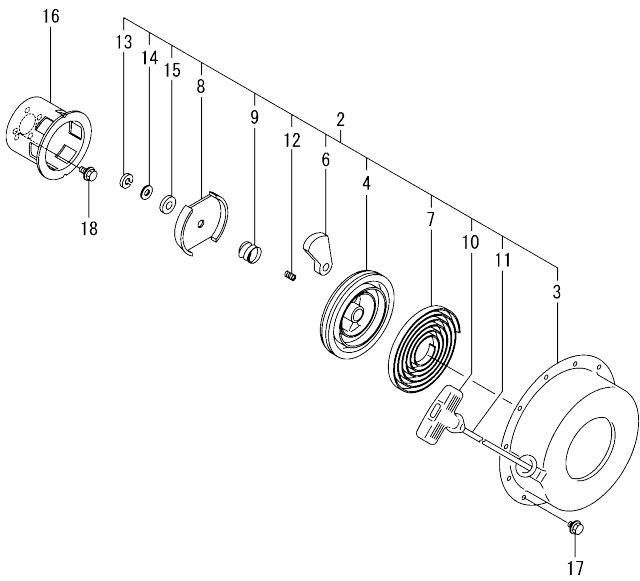


(A)=L100N6FF9Z1EAER
(B)=
(C)=

(D)=
(E)=
(F)=

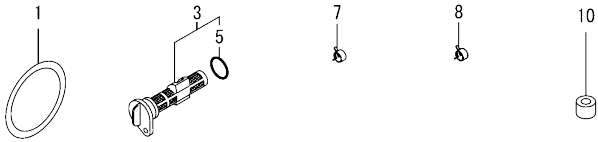
No.	Lev.	Parts No.	Description	Q'ty						I	R
				(A)	(B)	(C)	(D)	(E)	(F)		
1	1	114299-66250	SPRING, RETURN	1							
2	1	114299-66920	LEVER, STOP	1							
3	1	714299-66921	SPEED CONTROL TP 02	1							
4	2	114299-66440	BOLT, ADJUSTING	1							
6	2	114299-66950	STAY, STOP CABLE	1							
7	2	114299-67080	BOLT, ADJUSTING	2							
8	2	26106-060102	BOLT, M6X 10 PLATED	1							
9	2	26857-060002	NUT, M6	3							
10	1	114299-66932	LEVER, STOP-IN	1							
11	1	114299-66940	LEVER ASSY,REGULATOR	1							
14	2	26117-050089	BOLT, M5X 8 PLATED	1							
15	1	114310-66950	SPRING, STOP TILLER	1							
16	1	26106-060142	BOLT, M6X 14 PLATED	1							
17	1	26106-060302	BOLT, M6X 30 PLATED	1							
18	1	26757-080002	NUT, LOCK M8	1							
20	1	114320-66010	SPRING, REGULATOR	1							
21	1	114299-66201	SPRING, RETURN	1							
22	1	114320-66600	LIMITER ASSY, FUEL	1							
27	1	26776-100002	NUT, LOCK M10	1							
29	1	114780-61090	TIN	2							
30	1	22451-060000	WIRE, 0.6	2							

Fig.18. RECOIL STARTER



No.	Lev.	Parts No.	Description	Q'ty					
				(A)	(B)	(C)	(D)	(E)	(F)
2	2	114699-76251	RECOIL ASSY	1					
3	3	114699-76510	CASE, STARTER	1					
4	3	114699-76521	REEL, RECOIL	1					
6	3	114699-76531	RATCHET	2					
7	3	114399-76540	SPRING, SPIRAL	1					
8	3	114699-76551	GUIDE, RATCHET	1					
9	3	114699-76560	SPRING, FRICTION	1					
10	3	114399-76620	KNOB, STARTER	1					
11	3	114699-76630	ROPE, STARTER	1					
12	3	114699-76650	SPRING, RETURN	1					
13	3	114699-76660	CIRCLIP	1					
14	3	114699-76670	WASHER	1					
15	3	114699-76680	WASHER	1					
16	2	114699-76592	PULLEY, STARTER	1					
17	1	26106-060082	BOLT, M6X 8 PLATED	4					
18	1	26106-060122	BOLT, M6X 12 PLATED	3					

Fig.19. ACCESSORY



(A)=L100N6FF9Z1EAER
(B)=
(C)=

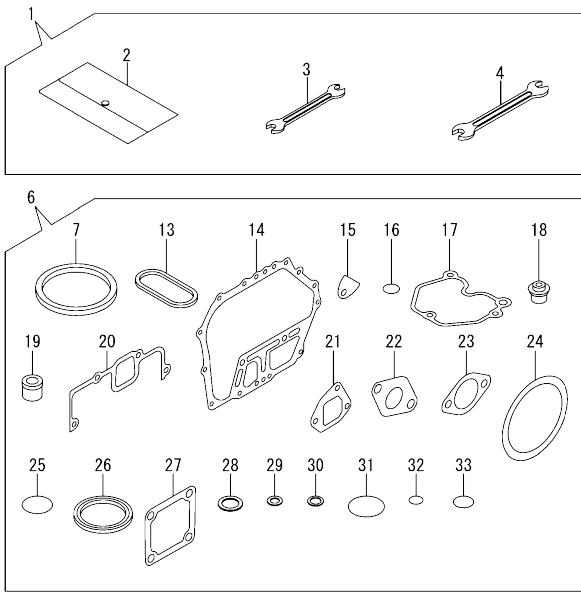
(D)=
(E)=
(F)=

No.	Lev.	Parts No.	Description	Q'ty					
				(A)	(B)	(C)	(D)	(E)	(F)
1	1	114399-21980	GASKET	1					
3	1	114299-35110	FILTER ASSY, OIL	2					
5	2	24341-000224	O-RING, 1AS22.4	2					
7	1	124066-59100	CLAMP, HOSE 8	2					
8	1	23080-013000	CLAMP, 13	5					
10	1	114299-59850	ORIFICE	1					

Fig.20. GASKET SET & TOOL

(A)=L100N6FF9Z1EAER
(B)=
(C)=

(D)=
(E)=
(F)=



No.	Lev.	Parts No.	Description	Q'ty						I	R
				(A)	(B)	(C)	(D)	(E)	(F)		
1	1	114299-92590	BOX, TOOL	1							
2	2	114299-92600	BAG, TOOL	1							
3	2	114299-92710	WRENCH	1							
4	2	114299-92720	WRENCH	1							
6	1	114320-92600	GASKET SET	1							1
7	2	114695-01331	GASKET, HEAD	1							
13	2	114699-01380	O-RING	1							
14	2	114699-01410	GASKET, CRANK CASE	1							
15	2	114250-01841	GASKET	1							
16	2	114299-01950	O-RING, 18	2							
17	2	114310-11310	GASKET, BONNET	1							
18	2	114650-11341	SEAL, VALVE STEM	2							
19	2	114771-11461	GASKET, NOZZLE	1							
20	2	114310-12210	GASKET, AIR CLEANER	1							
21	2	114699-12210	GASKET, AIR CLEANER	2							
22	2	114310-13200	GASKET, MUFFLER	1							
23	2	183671-13211	GASKET, MUFFLER	1							
24	2	114399-21980	GASKET	1							
25	2	114299-32570	O-RING	1							
26	2	160393-55050	GASKET	4							
27	2	129100-77510	GASKET, AIR HEATER	3							
28	2	22190-160002	WASHER, SEAL 16	2							
29	2	23414-080000	GASKET, 8X1.0	1							
30	2	23414-120000	GASKET, 12X1.0	1							
31	2	24311-000400	O-RING, 1AP40.0	1							
32	2	24341-000150	O-RING, 1AS15.0	2							
33	2	24341-000224	O-RING, 1AS22.4	1							

Remarks

(1)Optional parts.

Parts No. Index

Parts No.	Fig. No.	Ref. No.
104211-11370	4	27
105546-51020	16	2
105546-51330	16	15
114210-03590	4	39
114210-11901	4	31
114210-14300	7	7
114210-61290	12	32
114220-07130	3	8
114240-11450	4	28
114240-11550	4	29
114250-01841	1	20
	20	15
114250-11240	4	18
		22
114250-51080	16	3
114250-51160	16	11
114250-51340	16	16
114250-51500	16	18
114250-51640	16	19
114250-51650	16	20
114250-53080	16	24
114250-53120	16	30
114250-53130	16	31
114250-53140	16	32
114250-53210	16	36
114299-01600	1	7
114299-01690	2	1
114299-01800	1	8
114299-01830	1	19
114299-01950	2	4
	20	16
114299-02030	1	38
114299-03640	4	42
114299-07111	3	2
114299-07160	3	3
114299-32070	12	7
114299-32570	12	8
	20	25
114299-35110	12	12
	19	3
114299-35150	1	33
114299-45220	14	1
114299-45301	15	3
114299-45310	15	4
114299-45350	15	6
114299-59850	19	10
114299-61190	12	17
114299-61600	12	29
114299-66201	17	21
114299-66250	17	1

Parts No.	Fig. No.	Ref. No.
114299-66440	17	4
114299-66920	17	2
114299-66932	17	10
114299-66940	17	11
114299-66950	17	6
114299-67080	17	7
114299-92590	20	1
114299-92600	20	2
114299-92710	20	3
114299-92720	20	4
114310-01020	1	1
114310-01200	4	1
114310-01210	4	2
114310-01450	1	28
114310-11120	4	10
114310-11180	4	11
114310-11290	4	25
114310-11310	4	36
	20	17
114310-11930	4	12
114310-11950	4	37
114310-12050	5	1
114310-12210	5	2
	20	20
114310-13200	6	1
	20	22
114310-14200	7	6
114310-14400	7	12
114310-22500	10	10
114310-23200	10	28
114310-45150	15	1
114310-45260	14	2
114310-45360	5	7
114310-59800	16	65
114310-66950	17	15
114311-61500	12	18
11431C-11100	4	8
11431C-11110	4	9
11431C-11250	4	14
11431C-11260	4	15
11431C-11650	4	16
11431C-11660	4	20
11431C-13550	6	2
11431C-13560	6	3
11431C-13700	6	4
11431C-13710	6	5
11431C-13720	6	6
11431C-21760	8	1
114320-13800	6	12
114320-66010	17	20

Parts No.	Fig. No.	Ref. No.
114320-66600	17	22
114320-92600	20	6
11432C-11020	4	3
114339-51100	16	4
114339-53100	16	25
114339-53200	16	33
114399-01700	2	8
114399-21980	19	1
	20	24
114399-45320	14	3
114399-45340	14	4
114399-76540	18	7
114399-76620	18	10
114650-02100	1	31
114650-02150	1	39
114650-02200	1	35
114650-02210	1	36
114650-11341	4	26
	20	18
114650-32010	12	1
114650-51300	16	12
114695-01331	20	7
114695-01341	1	5
114699-01380	1	6
	20	13
114699-01410	1	27
	20	14
114699-01760	2	2
114699-11600	4	30
114699-12210	20	21
114699-21220	9	1
114699-21550	9	2
114699-21600	9	3
114699-21630	9	6
114699-22300	10	9
114699-45331	15	5
114699-59850	16	71
114699-76251	18	2
114699-76510	18	3
114699-76521	18	4
114699-76531	18	6
114699-76551	18	8
114699-76560	18	9
114699-76592	18	16
114699-76630	18	11
114699-76650	18	12
114699-76660	18	13
114699-76670	18	14
114699-76680	18	15
114770-61520	12	28

Parts No.	Fig. No.	Ref. No.
114770-61610	12	30
114771-11461	20	19
114780-61090	17	29
114940-01870	2	5 -1
119803-53400	16	37
124060-23100	10	27
124066-59100	19	7
124550-51350	16	17
129100-77510	20	27
160110-01870	2	5
160393-55050	20	26
183671-13211	20	23
22190-160002	2	6
	20	28
22242-000150	4	24
22312-030160	4	45
	12	9
22312-040080	1	21
22322-030200	12	27
22351-020006	16	10
22351-025005	16	29
22351-030008	16	21
22351-040008	4	32
22451-060000	17	30
22512-050140	9	7
23080-013000	19	8
23414-080000	20	29
23414-120000	20	30
23875-020000	1	22
23876-010000	13	1
24101-063040	11	6
24162-152220	1	40
24311-000400	20	31
24341-000150	20	32
24341-000224	12	14
	19	5
	20	33
24423-355008	1	41
		42
26106-060082	18	17
26106-060102	17	8
26106-060122	12	10
	18	18
26106-060142	17	16
26106-060162	12	15
26106-060202	14	5
26106-060302	17	17
26106-060352	5	9
26106-060402	5	8
26106-060652	4	49

Parts No. Index

Parts No.	Fig. No.	Ref. No.
26106-080122	1	43
26106-080202	6	7
26106-080352	1	34
26106-100122	2	9
26117-050089	17	14
26216-080182	6	9
26226-060142	5	3
26226-060182	1	23
26226-060222	1	24
26226-060552	4	33
26306-080002	6	10
26366-060002	1	25
	4	34
26757-080002	17	18
26776-100002	17	27
26856-060002	4	19
		23
26857-060002	17	9
714210-61701	12	31
714299-66921	17	3
714310-22500	10	3
714310-22540	10	13
714310-22550	10	19
714310-28510	11	1
71431C-23010	10	24
714320-22580	10	17
714320-22620	10	11
714320-22720	10	1
71432C-14010	7	1
714339-51200	16	1
714339-53200	16	23
714650-23600	10	29
714650-23610	10	31
714650-23620	10	33

Parts No.	Fig. No.	Ref. No.
-----------	----------	----------

Parts No.	Fig. No.	Ref. No.
-----------	----------	----------

Parts No.	Fig. No.	Ref. No.
-----------	----------	----------