

0CD11-M09300EN

P R E F A C E

1. This parts catalog is the 1st edition of L100N6-MEMA for MATSUSAKA ENGINEERING.

Pub.No. : OCD11-G09300

Published : December, 2009

2. Model name

Engine model	Vehicle	Vehicle made by
L100N6-MEMA	FRESH WATER PUMP	MATSUSAKA ENGINEERING

Directions for the Parts Catalog.

1. The parts stipulated in this Parts Catalog are not necessarily standard equipped parts.
2. Parts may change without prior notice.
3. The following is an example of the Parts Catalog format.

REF.	LEV.	PARTS NO.	DESCRIPTION	Q'TY						I	R
				(A)	(B)	(C)	(D)	(E)	(F)		
1	1	729595-51390	FUEL INJECTION PUMP	1	1	1	1	1			1
1-1	1	729595-51391	FUEL INJECTION PUMP	1	1	1	1	1		N	1
		(A=E00185) (B=E00200)									
3	2	26022-060162	SCREW M 6X 16	9	9	9	9	9			
3-1	2	26022-060162	SCREW M 6X 16	4	4	4	4	4		K	
		(A=E00156) (B=E00156) (C=E00156) (D=E00156) (E=E00156)									
4	2	129470-51040	CAMSHAFT	1	1	1	1	1			
5	2	122710-51050	BEARING, ROLLER	2	2	2	2	2			
6	2	129470-51060	RETAINER	1	1	1	1	1			

Remarks
(1) BOOST COMPEMSATOR TYPE. OPTIONAL PART, TO E00155,(4JH-DT, 4JH-DTZ

① Ref. No.

The Ref. No. listed may not be in accordance with the illustration Ref. No.

(Ex.) Illustration No.

List Ref No.

1 1 (Before change) → 1-1 (After change)

For interchangeable symbols N, R and K, illustrations for new parts may be abbreviated.

② Lev. (Level)

Level indication

The numbers below indicate the level of relativity towards the main part.

1 ---- Main parts (Assembly parts)

2 ---- Sub component included in " 1 ".

3 ---- Sub component included in " 2 ".

Note) Parts that are not for sale are partially illustrated but not listed.

③ Interchangeability Mark

When a part change takes place, one of the following interchangeability symbols is indicated beside the part.

Symbol	Interchangeability	Contents note
N	Old $\begin{matrix} \leftarrow \text{Yes} \\ \text{No} \rightarrow \end{matrix}$ New	New Part is interchangeable for Old Part but Old Part is not interchangeable for New Part.
Q	Old $\begin{matrix} \leftarrow \text{No} \\ \text{Yes} \rightarrow \end{matrix}$ New	New Part is not interchangeable for Old Part but Old Part is interchangeable for New Part.
R	Old $\begin{matrix} \leftarrow \text{Yes} \\ \text{Yes} \rightarrow \end{matrix}$ New	New/ Old Parts are both interchangeable.
S	Old $\begin{matrix} \leftarrow \text{No} \\ \text{No} \rightarrow \end{matrix}$ New	New/ Old Parts are both not interchangeable.
W		Part discontinued.
Z		Part newly added.
F		Not interchangeable by a single part but interchangeable together with related parts.
K		Changes only for used parts quantities.

④ Effective Machine No.

When a part changes, the effective Machine No. will be indicated in the (A)-(F) column.

Product Symbol	Product No.	Product Symbol	Product No.
C	Clutch No. Compressor No.	F	Machine No. (Agricultural Equip.)
D	Drive No.	M	Machine No.
E	Engine No.	Note 1)	Date

Note 1) A date may follow the symbol. (Ex.) 1996.01

Note 2) " XXX " are for parts that could not be predicted or for engine models that could not be identified.

Note 3) (A=E00185) is the E (Engine Serial Number) for the column (A) model (in this case 4JH-DT) after the parts design change.

⑤ Remarks Mark

Figures or alphabets (symbols) are entered in the remarks column.

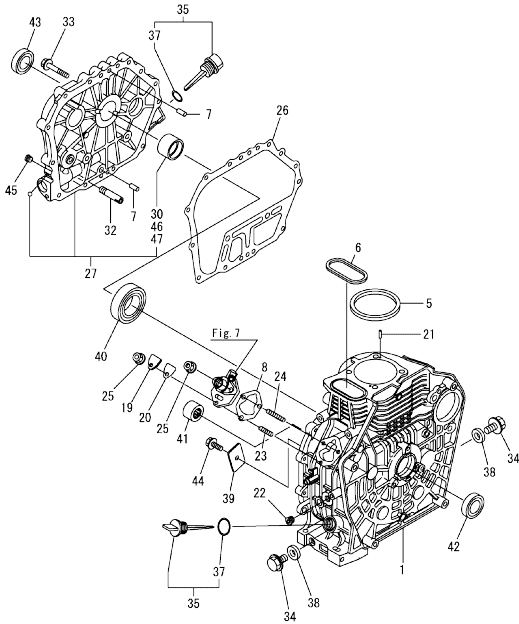
The comments (remarks) on parts that are indicated at the bottom of the illustration are the same symbols as those stated above.

Contents

Fig. No.	Fig. Name	Fig. No.	Fig. Name
L100N6-MEMA			
1.	CYLINDER BLOCK		
2.	CYLINDER HEAD & BONNET		
3.	AIR CLEANER & MUFFLER		
4.	CRANKSHAFT,PISTON & CAMSHAFT		
5.	LUB.OIL PUMP & GOVERNOR		
6.	COOLING & STARTING DEVICE		
7.	F.I.PUMP & F.I.VALVE		
8.	FUEL TANK & FUEL PIPE		
9.	STARTING MOTOR & DYNAMO		
10.	TOOL,LABEL & GASKET SET		

OCD11-M09300

Fig.1. CYLINDER BLOCK

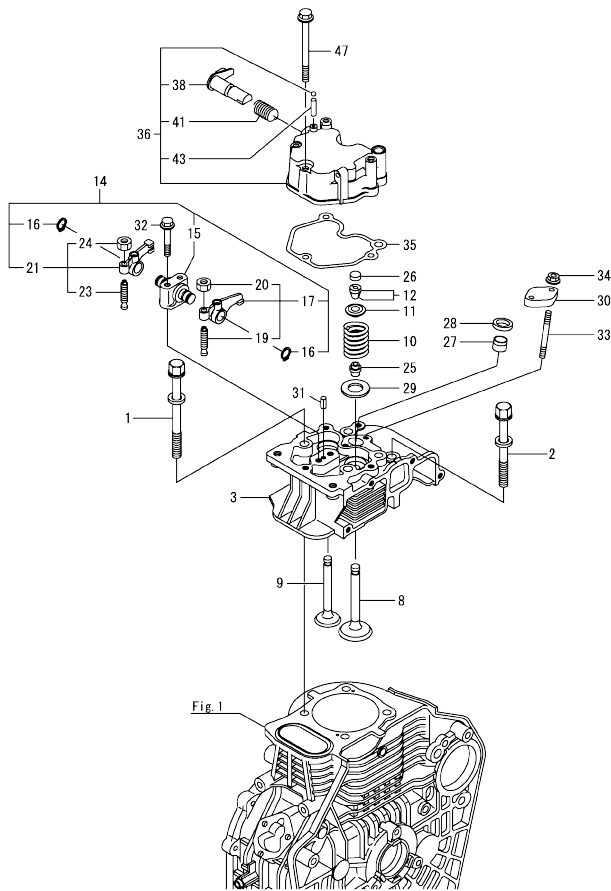


No.	Lev.	Parts No.	Description	Q'ty						I	R
				(A)	(B)	(C)	(D)	(E)	(F)		
1	1	11431C-01020	BLOCK ASSY, CYLINDER	1							
5	1	114651-01340	GASKET, HEAD T=0.5	1							
6	1	114650-01380	O-RING	1							
7	1	114270-01600	PIN, M8X12	2							
8	1	114250-01800	SHIM SET	1							
19	1	114250-01830	COVER	1							
20	1	114250-01841	GASKET	1							
21	1	22312-040080	PIN, PARALLEL M4X 8	2							
22	1	23875-020000	PLUG, R02	1							
23	1	26226-060182	STUD, M6X 18	1							
24	1	26226-060222	STUD, M6X 22	2							
25	1	26366-060002	NUT, M6	3							
26	1	114650-01412	GASKET, CRANK CASE	1							
27	1	11431C-01450	COVER, CRANK CASE	1							
30	2	114650-02100	BEARING, MAIN	1							1
32	1	114250-35150	PIPE, OIL INLET	1							
33	1	26106-080352	BOLT, M8X 35 PLATED	16							
34	1	105425-01690	PLUG, 16	2							
35	1	114699-01760	CAP ASSY	2							
37	2	114299-01950	O-RING, 18	2							
38	1	22190-160002	WASHER, SEAL 16	2							
39	1	114299-02030	RETAINER, BEARING	1							
40	1	114650-02150	BEARING, HR6308G3C3	1							
41	1	24162-152220	BEARING, 152220	1							
42	1	24423-355008	SEAL, OIL TC355008	1							
43	1	24423-355008	SEAL, OIL TC355008	1							
44	1	26106-080122	BOLT, M8X 12 PLATED	1							
45	1	23876-010000	PLUG, R01	1							
46	1	114650-02200	BEARING, 0.25 US	1							2
47	1	114650-02210	BEARING, 0.50 US	1							3

Remarks
 (1)Repair part.
 (2)Under sized(U.S.=0.25)part.
 (3)Under sized(U.S.=0.50)part.

N:Old $\frac{100}{100}$ New, Q:Old $\frac{100}{100}$ New, R:Old $\frac{100}{100}$ New, S:Old $\frac{100}{100}$ New, W:Add, Z:Discontinued, F:Interchangeable by set, K:Qty Change
 Copyright (C) YANMAR CO., LTD. All Rights Reserved.

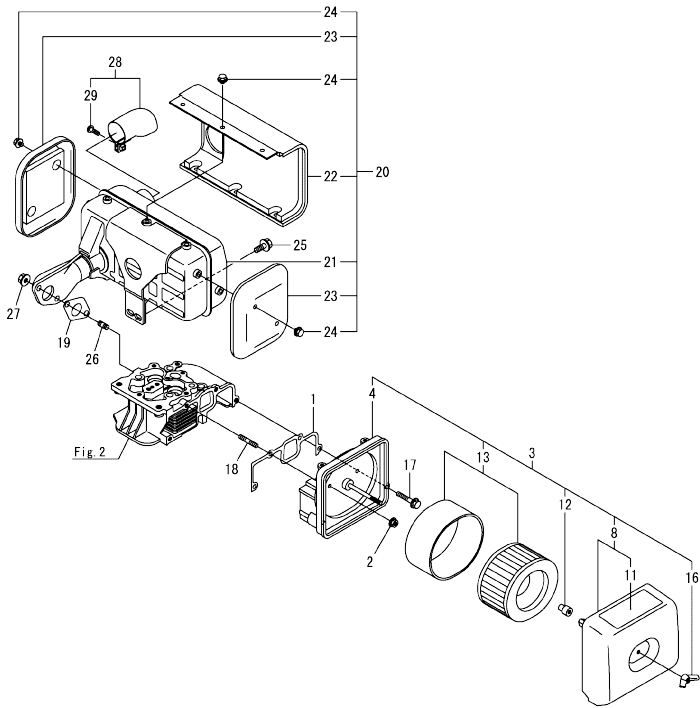
Fig.2. CYLINDER HEAD & BONNET



No.	Lev.	Parts No.	Description	Q'ty						I	R	
				(A)	(B)	(C)	(D)	(E)	(F)			
1	1	114310-01200	BOLT, CYL.HEAD A		2							
2	1	114310-01210	BOLT, CYL.HEAD B		2							
3	1	11432C-11020	HEAD ASSY, CYLINDER		1							
8	1	11431C-11100	VALVE, INTAKE		1							
9	1	11431C-11110	VALVE, EXHAUST		1							
10	1	114310-11120	SPRING, VALVE		2							
11	1	114310-11180	RETAINER, SPRING		2							
12	1	114310-11930	COTTER ASSY		2							
14	1	11431C-11250	SUPPORT ASSY, ARM		1							
15	2	11431C-11260	SUPPORT, ROCKER ARM		1							
16	2	22243-000150	RING, 15		2							
17	2	11431C-11650	ARM, ROCKER		1							
19	3	114250-11240	SCREW, VALVE ADJUST		1							
20	3	26856-060002	NUT, M6		1							
21	2	11431C-11660	ARM, ROCKER		1							
23	3	114250-11240	SCREW, VALVE ADJUST		1							
24	3	26856-060002	NUT, M6		1							
25	1	114650-11340	SEAL, VALVE STEM		2							
26	1	104211-11370	CAP, VALVE		2							
27	1	114339-11451	PROTECTOR, NOZZLE		1							
28	1	114339-11551	SEAT, NOZZLE		1							
29	1	114650-11600	WASHER		2							
30	1	114210-11901	RETAINER, NOZZLE		1							
31	1	22351-040008	PIN, SPRING 4.0X 8		1							
32	1	26106-080502	BOLT, M8X 50 PLATED		2							
33	1	26226-060552	STUD, M6X 55		2							
34	1	26366-060002	NUT, M6		2							
35	1	114310-11310	GASKET, BONNET		1							
36	1	11431C-11950	BONNET ASSY, HEAD		1							
38	2	114210-03590	SHAFT ASSY, DECOMP.		1							
41	2	114250-03640	SPRING, DECOMPRESSION		1							
43	2	22312-030160	PIN, PARALLEL M3X16		1							
47	1	26106-060652	BOLT, M6X 65 PLATED		3							

OCD11-M09300

Fig.3. AIR CLEANER & MUFFLER

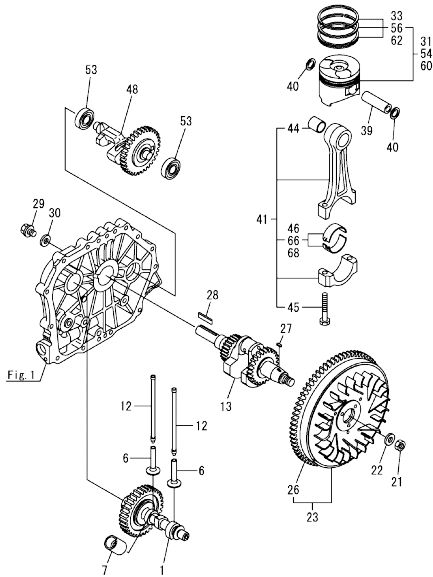


No.	Lev.	Parts No.	Description	Q'ty					
				(A)	(B)	(C)	(D)	(E)	(F)
1	1	114310-12210	GASKET, AIR CLEANER	1					
2	1	114250-12300	NUT	3					
3	1	114310-12511	CLEANER ASSY, AIR	1					
4	2	114310-12010	BODY ASSY, AIR CLNR	1					
8	2	114210-12500	COVER ASSY, AIR CLNR	1					
11	3	114210-12610	LABEL, AIR CLEANER	1					
12	2	114210-12560	NUT, WING	1					
13	2	114210-12590	ELEMENT ASSY	1					
16	2	114210-12600	LOCKING KNOB	1					
17	1	26106-060352	BOLT, M6X 35 PLATED	1					
18	1	26226-060352	STUD, M6X 35	3					
19	1	114310-13200	GASKET, MUFFLER	1					
20	1	11431C-13550	MUFFLER ASSY	1					
21	2	11431C-13560	MUFFLER	1					
22	2	11431C-13700	COVER	1					
23	2	11431C-13710	COVER	2					
24	2	11431C-13720	BOLT, M6	10					
25	1	26106-080202	BOLT, M8X 20 PLATED	2					
26	1	26216-080182	STUD, M8X 18	2					
27	1	26306-080002	NUT, M8	2					
28	1	114658-13800	PIPE	1					
29	2	26554-060182	SCREW, M6X18	1					

N:Old $\frac{100}{100}$ New, Q:Old $\frac{100}{100}$ New, R:Old $\frac{100}{100}$ New, S:Old $\frac{100}{100}$ New, W:Add, Z:Discontinued, F:Interchangeable by set, K:Qty Change
 Copyright (C) YANMAR CO., LTD. All Rights Reserved.

OCD11-M09300

Fig.4. CRANKSHAFT,PISTON & CAMSHAFT



No.	Lev.	Parts No.	Description	Q'ty						I	R
				(A)	(B)	(C)	(D)	(E)	(F)		
1	1	71432C-14010	CAMSHAFT ASSY	1							
6	1	114310-14200	TAPPET	2							
7	1	114210-14300	TAPPET ASSY,ROLLER	1							
12	1	114310-14400	ROD ASSY, PUSH	2							
13	1	71431C-21030	CRANKSHAFT ASSY	1							
21	1	122710-01220	NUT, CYLINDER HEAD	1							
22	1	114650-21551	WASHER	1							
23	1	11431C-21590	FLYWHEEL ASSY	1							
26	2	11431C-21600	GEAR, RING	1							
27	1	22512-050140	KEY, 5X 14	1							
28	1	160842-21150	KEY, 6.3X50	1							
29	1	160842-21250	BOLT, 7/16-20UNF	1							
30	1	160842-21260	WASHER	1							
31	1	714320-22720	PISTON W/RINGS (D	1							
33	2	714310-22500	RING SET, PISTON	1							
39	1	114699-22300	PIN, PISTON D=23	1							
40	1	129792-22400	CIRCLIP, 23	2							
41	1	71431C-23010	ROD ASSY, CONNECTING	1							
44	3	124060-23100	BEARING, PISTON PIN	1							
45	3	119810-23200	BOLT, CONNECTING ROD	2							
46	2	714650-23600	BEARING, CRANK PIN	1							
48	1	71431C-28510	SHAFT ASSY, BALANCER	1							
											(F=*2008.07)
53	1	24101-063040	BEARING, BALL 6304C3	2							
54	1	714320-22620	PISTON W/RING OS=.25	1							1
56	2	714310-22540	RING SET O.S=0.25	1							1
60	1	714320-22580	PISTON W/RING OS=0.5	1							2
62	2	714310-22550	RING SET O.S=0.50	1							2
66	1	714650-23610	BEARING ASSY, 0.25	1							3
68	1	714650-23620	BEARING, 0.50 US	1							4

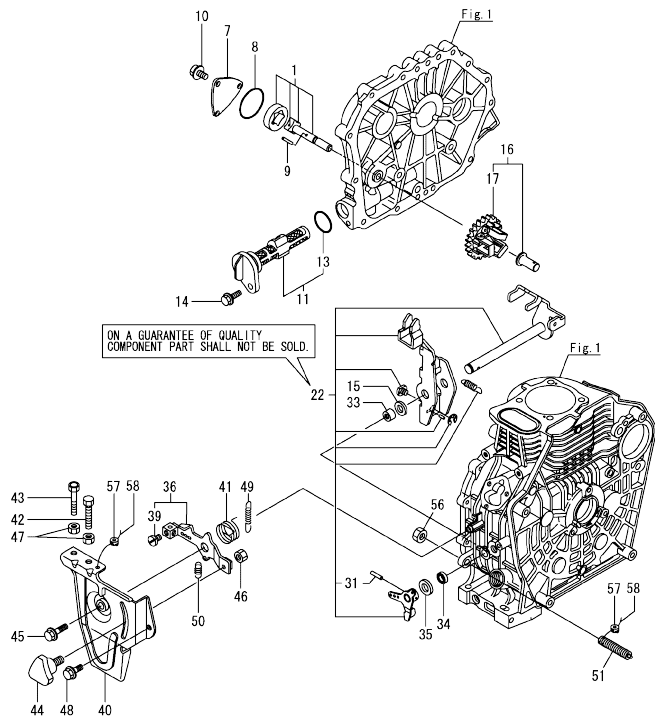
Remarks

- (1)Over sized(O.S.=0.25)part.
- (2)Over sized(O.S.=0.50)part.
- (3)Under sized(U.S.=0.25)part.
- (4)Under sized(U.S.=0.50)part.

N:Old $\frac{100}{100}$ New, Q:Old $\frac{100}{100}$ New, R:Old $\frac{100}{100}$ New, S:Old $\frac{100}{100}$ New, W:Add, Z:Discontinued, F:Interchangeable by set, K:Q'ty Change
 Copyright (C) YANMAR CO., LTD. All Rights Reserved.

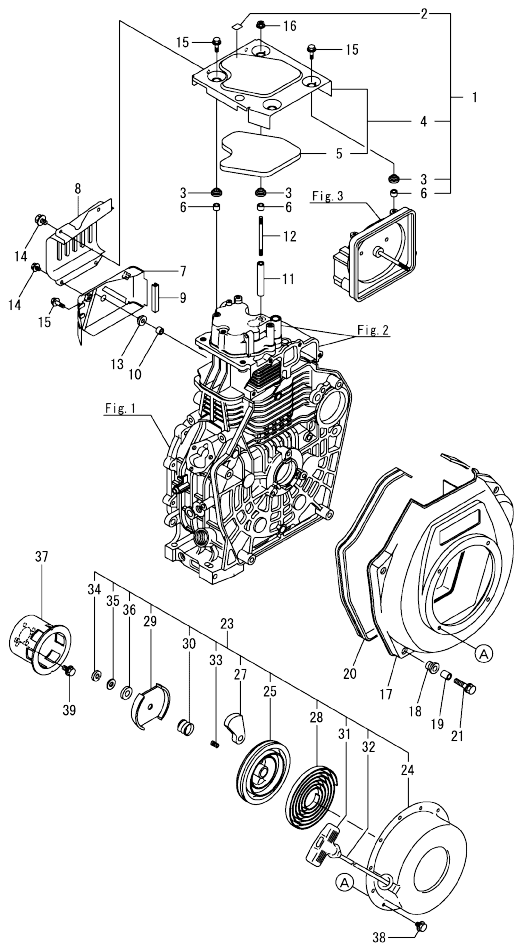
OCD11-M09300

Fig.5. LUB.OIL PUMP & GOVERNOR



No.	Lev.	Parts No.	Description	Q'ty						I	R
				(A)	(B)	(C)	(D)	(E)	(F)		
1	1	114650-32010	PUMP ASSY, OIL	1							
7	1	114250-32070	COVER	1							
8	1	103338-32570	O-RING	1							
9	1	22312-030160	PIN, PARALLEL M3X16	1							
10	1	26106-060122	BOLT, M6X 12 PLATED	3							
11	1	114250-35110	FILTER ASSY, OIL	1							
13	2	24341-000224	O-RING, 1AS22.4	1							
14	1	26106-060162	BOLT, M6X 16 PLATED	1							
15	1	114770-61190	WASHER	1							
16	1	714210-61700	GOVERNOR ASSY	1							
17	2	114210-61290	WEIGHT ASSY, GOVERNOR	1							
31	2	22322-030200	PIN, TAPER 3X20	1							
33	1	114770-61520	BEARING, NEEDLE	2							
34	1	114770-61600	SEAL, OIL	1							
35	1	114770-61610	WASHER, THRUST	1							
36	1	114210-66060	HANDLE ASY, REGULATOR	1							
39	2	26117-050089	BOLT, M5X 8 PLATED	1							
40	1	114210-66100	BRACKET, REGULATOR	1							
41	1	114252-66252	SPRING, RETURN	1							
42	1	114250-66440	BOLT, ADJUSTING	1							
43	1	102100-67080	BOLT, ADJUSTING	1							
44	1	160725-78350	KNOB	1							
45	1	26106-060202	BOLT, M6X 20 PLATED	1							
46	1	26347-060002	NUT, M6	1							
47	1	26757-060002	NUT, LOCK M6	2							
48	1	26106-060142	BOLT, M6X 14 PLATED	1							
49	1	114320-66010	SPRING, REGULATOR	1							
50	1	114250-66200	SPRING, RETURN	1							
51	1	114320-66600	LIMITER ASSY, FUEL	1							
56	1	26776-100002	NUT, LOCK M10	1							
57	1	114780-61090	TIN	2							
58	1	22451-060000	WIRE, 0.6	2							

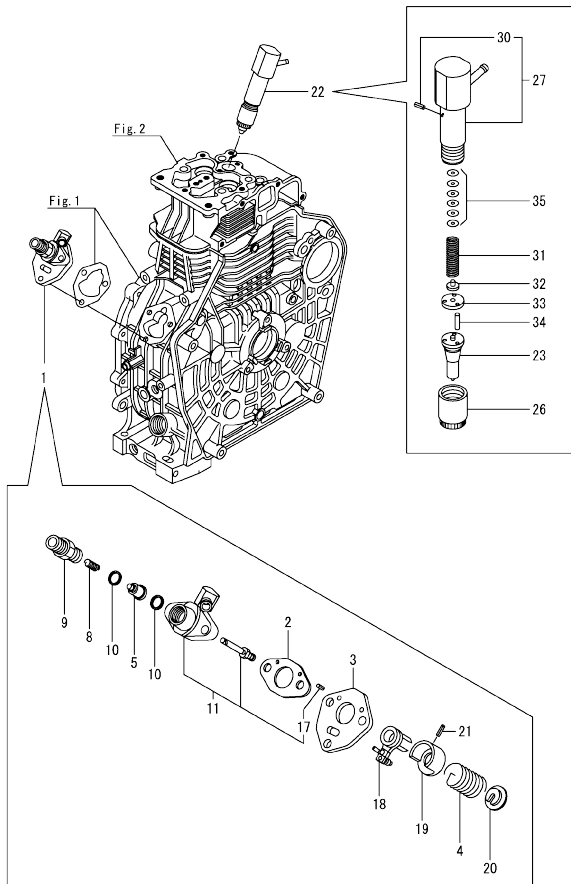
Fig.6. COOLING & STARTING DEVICE



No.	Lev.	Parts No.	Description	Q'ty						I	R
				(A)	(B)	(C)	(D)	(E)	(F)		
1	1	11431C-45200	COVER ASSY	1							
2	2	114210-07200	LABEL, DECOMPRESSION	1							
3	2	11431C-45300	COVER	1							
4	3	11431C-45310	INSULATOR, NOISE	1							
5	2	114350-45340	COLLAR	4							
6	2	183720-55210	GROMMET	4							
7	1	11431C-45260	COVER	1							
8	1	11431C-45270	COVER	1							
9	1	114350-45320	RUBBER SEAL	1							
10	1	114350-45340	COLLAR	1							
11	1	114310-45350	SPACER, TOP COVER	1							
12	1	114310-45360	STUD BOLT, TOP COVER	1							
13	1	26106-060082	BOLT, M6X 8 PLATED	4							
14	1	26106-060202	BOLT, M6X 20 PLATED	4							
15	1	26366-060002	NUT, M6	1							
16	1	183720-55210	GROMMET	1							
17	1	11431C-45100	CASE, COOLING FAN	1							
18	1	114250-45301	ABSORBER	4							
19	1	114250-45310	COLLAR	4							
20	1	114650-45330	SEAL, FAN CASE L=950	1							
21	1	114370-45351	BOLT	4							
23	1	114699-76251	STARTER ASSY, RECOIL	1							
24	2	114699-76510	CASE, STARTER	1							
25	2	114699-76521	REEL, RECOIL	1							
27	2	114699-76531	RATCHET	2							
28	2	114399-76540	SPRING, SPIRAL	1							
29	2	114699-76551	GUIDE, RATCHET	1							
30	2	114699-76560	SPRING, FRICTION	1							
31	2	114399-76620	KNOB, STARTER	1							
32	2	114699-76630	ROPE, STARTER	1							
33	2	114699-76650	SPRING, RETURN	1							
34	2	114699-76660	CIRCLIP	1							
35	2	114699-76670	WASHER	1							
36	2	114699-76680	WASHER	1							
37	1	114699-76592	PULLEY, STARTER	1							
38	1	26106-060082	BOLT, M6X 8 PLATED	4							
39	1	26106-060122	BOLT, M6X 12 PLATED	3							

N:Old $\frac{100}{100}$ New, Q:Old $\frac{100}{100}$ New, R:Old $\frac{100}{100}$ New, S:Old $\frac{100}{100}$ New, W:Add, Z:Discontinued, F:Interchangeable by set, K:Q'ty Change
 Copyright (C) YANMAR CO., LTD. All Rights Reserved.

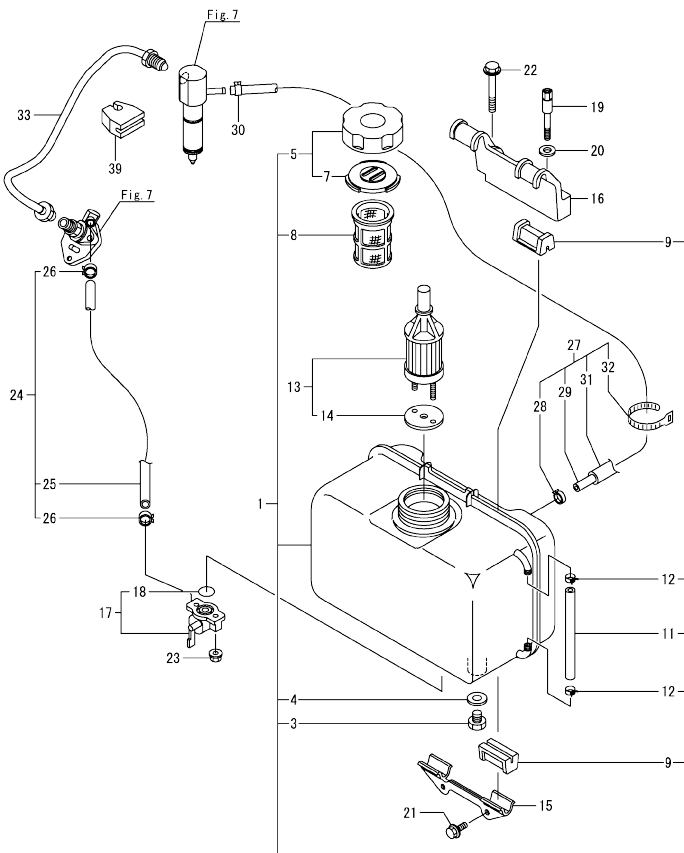
Fig.7. F.I.PUMP & F.I.VALVE



No.	Lev.	Parts No.	Description	Q'ty						I	R
				(A)	(B)	(C)	(D)	(E)	(F)		
1	1	714339-51400	PUMP ASSY, INJECTION	1							
2	2	105546-51020	GASKET	1							
3	2	114250-51080	PLATE	1							
4	2	114250-51160	SPRING, PLUNGER	1							
5	2	114650-51300	VALVE ASSY, DELIVERY	1							
8	2	105546-51330	SPRING, DELIVERY	1							
9	2	114250-51340	HOLDER, DELIVERY	1							
10	2	124550-51350	GASKET, DELIVERY	2							
11	2	114339-51400	BODY ASSY, PUMP	1							
17	4	22351-020006	PIN, SPRING 2.0X 6	2							
18	2	114250-51600	LEVER ASSY, CONTROL	1							
19	2	114250-51640	SEAT, SPRING A	1							
20	2	114250-51650	SEAT, SPRING B	1							
21	2	22351-030008	PIN, SPRING 3.0X 8	1							
22	1	714339-53100	VALVE ASSY, INJECTION	1							
23	2	114339-53050	VALVE ASSY, INJECTION	1							
26	2	114250-53080	NUT, NOZZLE D16.95	1							
27	2	114339-53100	HOLDER ASSY, NOZZLE	1							
30	3	22351-025005	PIN, SPRING 2.5X 6	1							
31	2	114250-53120	SPRING, NOZZLE	1							
32	2	114250-53130	SEAT, SPRING	1							
33	2	114250-53140	PLATE	1							
34	2	114250-53210	PIN	2							
35	2	114250-53400	SHIM SET	1							

OCD11-M09300

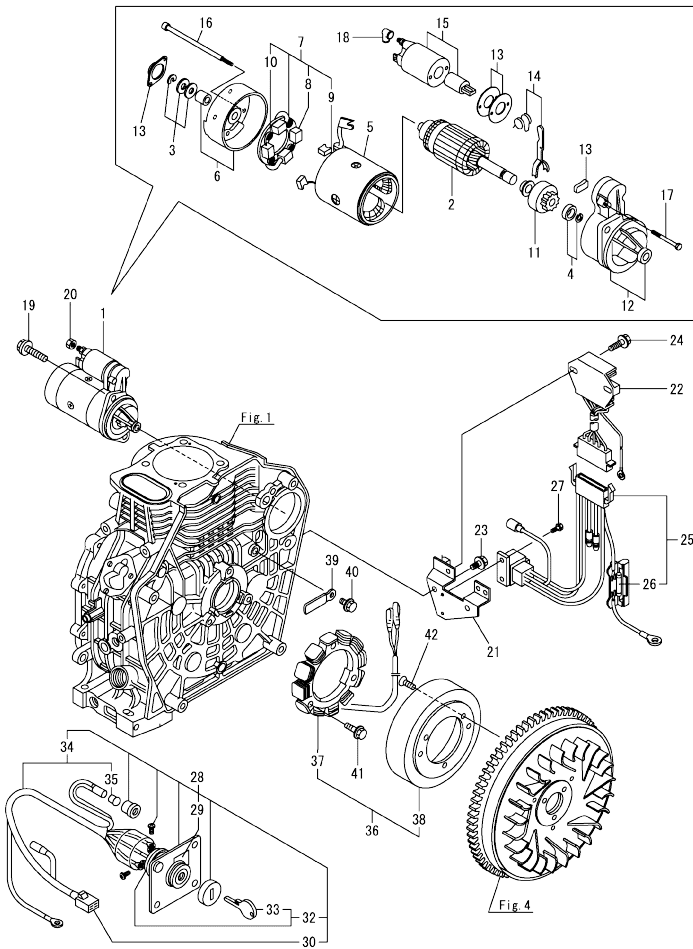
Fig.8. FUEL TANK & FUEL PIPE



No.	Lev.	Parts No.	Description	Qty						I	R
				(A)	(B)	(C)	(D)	(E)	(F)		
1	1	714339-55020	TANK ASSY, FUEL	1							
3	3	114299-55080	PLUG, DRAIN	1							
4	3	23414-080000	GASKET, 8X1.0	1							
5	2	114288-55041	CAP ASSY	1							
7	3	114288-55081	VALVE	1							
8	2	114250-55100	FILTER, FUEL	1							
9	2	114250-55201	DAMPER, FUEL TANK	4							
11	3	114339-55150	GAUGE, LEVEL	1							
12	3	23080-007000	CLAMP, 7	2							
13	1	114250-55121	FILTER ASSY, FUEL	1							
14	2	114250-55130	GASKET	1							
15	1	114210-55210	STAY A, FUEL TANK	1							
16	1	11431C-55230	STAY, FUEL TANK	1							
17	1	114250-55301	COCK ASSY, FUEL	1							
18	2	24341-000150	O-RING, 1AS15.0	1							
19	1	114210-55810	BOLT, LIFTING	1							
20	1	22117-080000	WASHER, 8	1							
21	1	26106-060162	BOLT, M6X 16 PLATED	2							
22	1	26106-080452	BOLT, M8X 45 PLATED	1							
23	1	26366-060002	NUT, M6	2							
24	1	114780-59010	PIPE ASSY, FUEL L50	1							
25	2	114780-59060	PIPE, FUEL L=50	1							
26	2	23080-014000	CLAMP, 14	2							
27	1	114339-59300	PIPE ASSY, RETURN	1							
28	2	124722-59050	CLIP, HOSE 9	1							
29	2	114310-59060	PIPE, FUEL RETURN	1							
30	2	124066-59100	CLIP, HOSE 8	1							
31	2	114310-59310	TUBE, PROTECTOR	1							
32	2	121750-59890	BAND, 140	1							
33	1	114310-59800	PIPE, FUEL INJECTION	1							
39	1	114650-59850	SUPPORT	1							

N:Old $\frac{100}{100}$ New, Q:Old $\frac{100}{100}$ New, R:Old $\frac{100}{100}$ New, S:Old $\frac{100}{100}$ New, W:Add, Z:Discontinued, F:Interchangeable by set, K:Qty Change
 Copyright (C) YANMAR CO., LTD. All Rights Reserved.

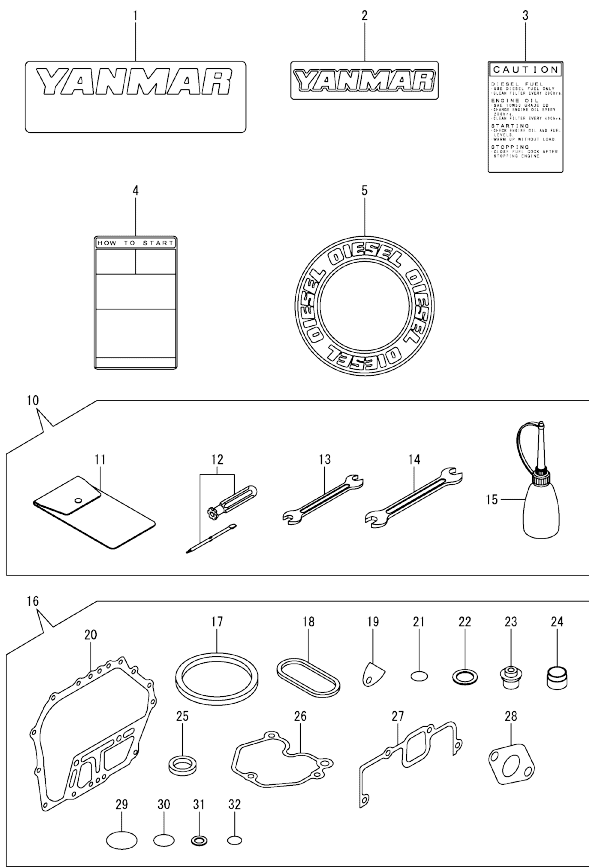
Fig.9. STARTING MOTOR & DYNAMO



No.	Lev.	Parts No.	Description	Q'ty						I	R
				(A)	(B)	(C)	(D)	(E)	(F)		
1	1	114362-77011	MOTOR ASSY, STARTER	1							
2	2	114381-77110	ARMATURE	1							
3	2	X2114811000	WASHER KIT, THRUST	1							
4	2	X2114715500	STOPPER SET, PINION	1							
5	2	114381-77130	COIL ASSY, FIELD	1							
6	2	114381-77140	COVER, REAR	1							
7	2	114371-77160	HOLDER ASSY, BRUSH	1							
8	3	114371-79040	BRUSH (-)	2							
9	3	114371-79050	BRUSH (+)	1							
10	3	114371-79060	SPRING, BRUSH	4							
11	2	X211485016	PINION ASSY	1							
12	2	114381-77151	HOUSING ASSY, GEAR	1							
13	2	114371-77170	COVER KIT, DUST	1							
14	2	114371-77180	LEVER KIT, SHIFT	1							
15	2	124298-77020	SWITCH, MAGNETIC	1							
16	2	124195-77770	THROUGH BOLT	2							
17	2	114371-79070	BOLT M 6X 37	2							
18	2	X2114274200	COVER, TERMINAL	1							
19	1	26106-100302	BOLT, M10X 30 PLATED	2							
20	1	26716-080002	NUT, M8	1							
21	1	114385-77400	BRACKET	1							
22	1	114340-77710	LIMITER, CURRENT 15A	1							
23	1	26106-060122	BOLT, M6X 12 PLATED	2							
24	1	26106-060202	BOLT, M6X 20 PLATED	2							
25	1	114351-77540	HARNES, WIRE	1							
26	2	29411-200000	FUSE, CARTRIDGE 20A	2							
27	1	26023-040102	SCREW, M4X10	2							
28	1	114351-77500	PANEL ASSY	1							
29	2	105198-07120	LABEL, START SWITCH	1							
30	2	114351-77520	COUPLER	1							
32	2	106100-77620	SWITCH, KEY	1							
33	3	106100-77630	KEY, SWITCH	1							
34	2	114351-77700	HARNES, WIRE	1							
35	3	29220-083200	BULB, 12V 3.4W	1							
36	1	114351-78290	DYNAMO ASSY	1							
37	2	114351-78830	STATOR ASSY, 132.1MM	1							
38	2	114351-78840	WHEEL, DYNAMO	1							
39	1	160710-78710	CLAMP, CORD	1							
40	1	26106-060122	BOLT, M6X 12 PLATED	1							
41	1	26106-060202	BOLT, M6X 20 PLATED	3							
42	1	26577-060142	SCREW, 6 X 14	3							

OCD11-M09300

Fig.10. TOOL,LABEL & GASKET SET



No.	Lev.	Parts No.	Description	Q'ty						I	R
				(A)	(B)	(C)	(D)	(E)	(F)		
1	1	114250-07090	LABEL, YANMAR MARK A	1							
2	1	114250-07111	LABEL, YANMAR MARK B	1							
3	1	114210-07120	LABEL, CAUTION	1							
4	1	114210-07130	LABEL HOW TO START-E	1							
5	1	114261-07350	LABEL, YANMAR	1							
10	1	714250-92100	BOX ASSY, TOOL	1							
11	2	114250-92600	BAG, TOOL	1							
12	2	160330-92730	DRIVE, SCREW	1							
13	2	28110-100120	SPANNER, 10X12	1							
14	2	28110-140170	SPANNER, 14X17	1							
15	2	28210-000150	OILER	1							
16	1	714339-92600	GASKET SET	1							1
17	2	114651-01340	GASKET, HEAD T=0.5	1							
18	2	114650-01380	O-RING	1							
19	2	114250-01841	GASKET	1							
20	2	114650-01412	GASKET, CRANK CASE	1							
21	2	114299-01950	O-RING, 18	2							
22	2	22190-160002	WASHER, SEAL 16	2							
23	2	114650-11340	SEAL, VALVE STEM	2							
24	2	114339-11451	PROTECTOR, NOZZLE	1							
25	2	114339-11551	SEAT, NOZZLE	1							
26	2	114310-11310	GASKET, BONNET	1							
27	2	114310-12210	GASKET, AIR CLEANER	1							
28	2	114310-13200	GASKET, MUFFLER	1							
29	2	103338-32570	O-RING	1							
30	2	24341-000224	O-RING, 1AS22.4	1							
31	2	23414-080000	GASKET, 8X1.0	1							
32	2	24341-000150	O-RING, 1AS15.0	1							

Remarks
(1)Optional parts.

N:Old $\frac{100}{100}$ New, Q:Old $\frac{100}{100}$ New, R:Old $\frac{100}{100}$ New, S:Old $\frac{100}{100}$ New, W:Add, Z:Discontinued, F:Interchangeable by set, K:Q'ty Change
Copyright (C) YANMAR CO., LTD. All Rights Reserved.

Parts No. Index

Parts No.	Fig. No.	Ref. No.
102100-67080	5	43
103338-32570	5	8
	10	29
104211-11370	2	26
105198-07120	9	29
105425-01690	1	34
105546-51020	7	2
105546-51330	7	8
106100-77620	9	32
106100-77630	9	33
114210-03590	2	38
114210-07120	10	3
114210-07130	10	4
114210-07200	6	2
114210-11901	2	30
114210-12500	3	8
114210-12560	3	12
114210-12590	3	13
114210-12600	3	16
114210-12610	3	11
114210-14300	4	7
114210-55210	8	15
114210-55810	8	19
114210-61290	5	17
114210-66060	5	36
114210-66100	5	40
114250-01800	1	8
114250-01830	1	19
114250-01841	1	20
	10	19
114250-03640	2	41
114250-07090	10	1
114250-07111	10	2
114250-11240	2	19
		23
114250-12300	3	2
114250-32070	5	7
114250-35110	5	11
114250-35150	1	32
114250-45301	6	18
114250-45310	6	19
114250-51080	7	3
114250-51160	7	4
114250-51340	7	9
114250-51600	7	18
114250-51640	7	19
114250-51650	7	20
114250-53080	7	26
114250-53120	7	31
114250-53130	7	32

Parts No.	Fig. No.	Ref. No.
114250-53140	7	33
114250-53210	7	34
114250-53400	7	35
114250-55100	8	8
114250-55121	8	13
114250-55130	8	14
114250-55201	8	9
114250-55301	8	17
114250-66200	5	50
114250-66440	5	42
114250-92600	10	11
114252-66252	5	41
114261-07350	10	5
114270-01600	1	7
114288-55041	8	5
114288-55081	8	7
114299-01950	1	37
	10	21
114299-02030	1	39
114299-55080	8	3
114310-01200	2	1
114310-01210	2	2
114310-11120	2	10
114310-11180	2	11
114310-11310	2	35
	10	26
114310-11930	2	12
114310-12010	3	4
114310-12210	3	1
	10	27
114310-12511	3	3
114310-13200	3	19
	10	28
114310-14200	4	6
114310-14400	4	12
114310-45350	6	11
114310-45360	6	12
114310-59060	8	29
114310-59310	8	31
114310-59800	8	33
11431C-01020	1	1
11431C-01450	1	27
11431C-11100	2	8
11431C-11110	2	9
11431C-11250	2	14
11431C-11260	2	15
11431C-11650	2	17
11431C-11660	2	21
11431C-11950	2	36
11431C-13550	3	20

Parts No.	Fig. No.	Ref. No.
11431C-13560	3	21
11431C-13700	3	22
11431C-13710	3	23
11431C-13720	3	24
11431C-21590	4	23
11431C-21600	4	26
11431C-45100	6	17
11431C-45200	6	1
11431C-45260	6	7
11431C-45270	6	8
11431C-45300	6	3
11431C-45310	6	4
11431C-55230	8	16
114320-66010	5	49
114320-66600	5	51
11432C-11020	2	3
114339-11451	2	27
	10	24
114339-11551	2	28
	10	25
114339-51400	7	11
114339-53050	7	23
114339-53100	7	27
114339-55150	8	11
114339-59300	8	27
114340-77710	9	22
114350-45320	6	9
114350-45340	6	5
	10	10
114351-77500	9	28
114351-77520	9	30
114351-77540	9	25
114351-77700	9	34
114351-78290	9	36
114351-78830	9	37
114351-78840	9	38
114362-77011	9	1
114370-45351	6	21
114371-77160	9	7
114371-77170	9	13
114371-77180	9	14
114371-79040	9	8
114371-79050	9	9
114371-79060	9	10
114371-79070	9	17
114381-77110	9	2
114381-77130	9	5
114381-77140	9	6
114381-77151	9	12
114385-77400	9	21

Parts No.	Fig. No.	Ref. No.
114399-76540	6	28
114399-76620	6	31
114650-01380	1	6
	10	18
114650-01412	1	26
	10	20
114650-02100	1	30
114650-02150	1	40
114650-02200	1	46
114650-02210	1	47
114650-11340	2	25
	10	23
114650-11600	2	29
114650-21551	4	22
114650-32010	5	1
114650-45330	6	20
114650-51300	7	5
114650-59850	8	39
114651-01340	1	5
	10	17
114658-13800	3	28
114699-01760	1	35
114699-22300	4	39
114699-76251	6	23
114699-76510	6	24
114699-76521	6	25
114699-76531	6	27
114699-76551	6	29
114699-76560	6	30
114699-76592	6	37
114699-76630	6	32
114699-76650	6	33
114699-76660	6	34
114699-76670	6	35
114699-76680	6	36
114770-61190	5	15
114770-61520	5	33
114770-61600	5	34
114770-61610	5	35
114780-59010	8	24
114780-59060	8	25
114780-61090	5	57
119810-23200	4	45
121750-59890	8	32
122710-01220	4	21
124060-23100	4	44
124066-59100	8	30
124195-77770	9	16
124298-77020	9	15
124550-51350	7	10

Parts No. Index

Parts No.	Fig. No.	Ref. No.
124722-59050	8	28
129792-22400	4	40
160330-92730	10	12
160710-78710	9	39
160725-78350	5	44
160842-21150	4	28
160842-21250	4	29
160842-21260	4	30
183720-55210	6	6
		16
22117-080000	8	20
22190-160002	1	38
	10	22
22243-000150	2	16
22312-030160	2	43
	5	9
22312-040080	1	21
22322-030200	5	31
22351-020006	7	17
22351-025005	7	30
22351-030008	7	21
22351-040008	2	31
22451-060000	5	58
22512-050140	4	27
23080-007000	8	12
23080-014000	8	26
23414-080000	8	4
	10	31
	1	22
23875-020000	1	45
23876-010000	4	53
24101-063040	1	41
24162-152220	8	18
24341-000150	10	32
	5	13
24341-000224	10	30
	1	42
24423-355008		43
	9	27
26023-040102	6	13
26106-060082		38
	5	10
26106-060122	6	39
	9	23
		40
26106-060142	5	48
26106-060162	5	14
	8	21
26106-060202	5	45
	6	14

Parts No.	Fig. No.	Ref. No.
26106-060202	9	24
		41
26106-060352	3	17
26106-060652	2	47
26106-080122	1	44
26106-080202	3	25
26106-080352	1	33
26106-080452	8	22
26106-080502	2	32
26106-100302	9	19
26117-050089	5	39
26216-080182	3	26
26226-060182	1	23
26226-060222	1	24
26226-060352	3	18
26226-060552	2	33
26306-080002	3	27
26347-060002	5	46
26366-060002	1	25
	2	34
	6	15
	8	23
26554-060182	3	29
26577-060142	9	42
26716-080002	9	20
26757-060002	5	47
26776-100002	5	56
26856-060002	2	20
		24
28110-100120	10	13
28110-140170	10	14
28210-000150	10	15
29220-083200	9	35
29411-200000	9	26
714210-61700	5	16
714250-92100	10	10
714310-22500	4	33
714310-22540	4	56
714310-22550	4	62
71431C-21030	4	13
71431C-23010	4	41
71431C-28510	4	48
714320-22580	4	60
714320-22620	4	54
714320-22720	4	31
71432C-14010	4	1
714339-51400	7	1
714339-53100	7	22
714339-55020	8	1
714339-92600	10	16

Parts No.	Fig. No.	Ref. No.
714650-23600	4	46
714650-23610	4	66
714650-23620	4	68
X2114274200	9	18
X2114715500	9	4
X2114811000	9	3
X211485016	9	11

Parts No.	Fig. No.	Ref. No.
-----------	----------	----------