

0CC50-M01650EN

P R E F A C E

This parts catalog is the 1st edition of L70N5-MPERYI for POWER EQUIPMENT.

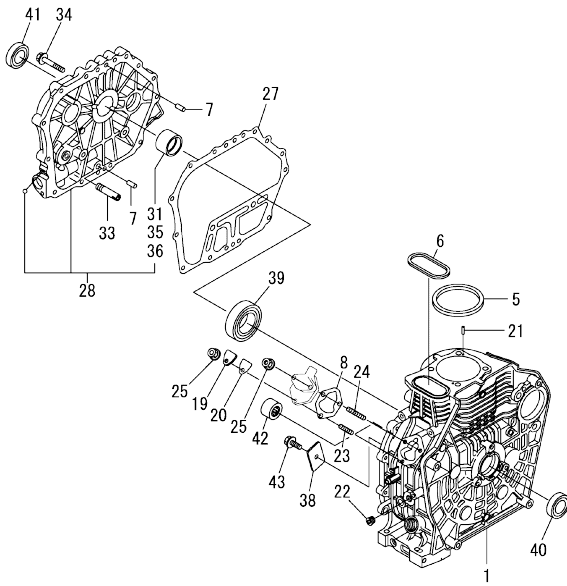
Published : September, 2018

Contents

0CC50-M01650

Fig. No.	Fig. Name	Fig. No.	Fig. Name
ENGINE			
1.	CYLINDER BLOCK		
2.	DRAIN PLUG		
3.	LABEL		
4.	CYLINDER HEAD & BONNET		
5.	AIR CLEANER		
6.	EXHAUST MUFFLER		
7.	CAMSHAFT		
8.	CRANKSHAFT		
9.	FLYWHEEL		
10.	PISTON & CONNECTING ROD		
11.	BALANCER SHAFT		
12.	LUB. OIL PUMP & GOVERNOR		
13.	SWITCH CAP(OIL PRESSURE)		
14.	COVER		
15.	COOLING FAN CASE		
16.	FUEL INJECTION PUMP & FUEL INJECTION VALVE		
17.	FUEL TANK & FUEL PIPE		
18.	CONTROL DEVICE		
19.	RECOIL STARTER		
20.	GASKET SET & TOOL		

Fig.1. CYLINDER BLOCK



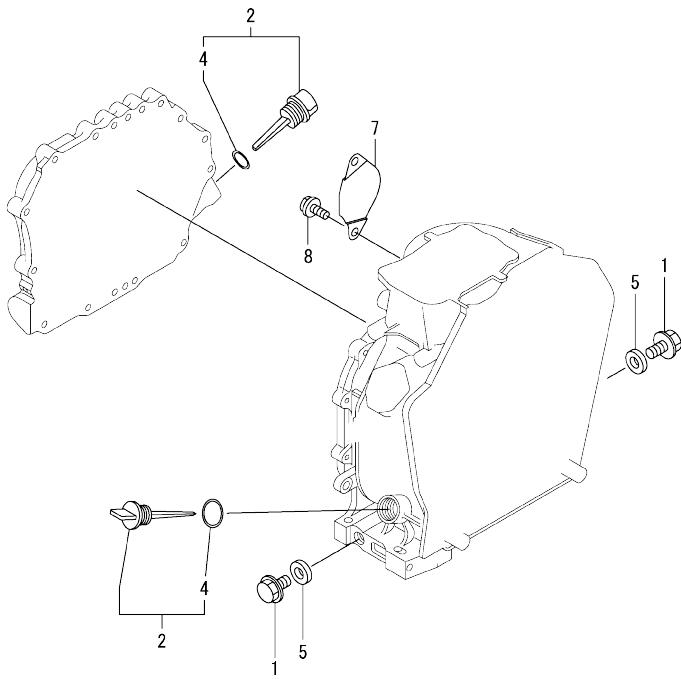
(A)=L70N5-MPERY1
(B)=
(C)=

(D)=
(E)=
(F)=

No.	Lev.	Parts No.	Description	Q'ty						I	R
				(A)	(B)	(C)	(D)	(E)	(F)		
1	1	114210-01020	BLOCK ASSY. CYLINDER	1							
5	1	114395-01341	GASKET, HEAD 0.5	1							
6	1	114399-01380	O-RING, TAPPET	1							
7	1	114299-01600	PIN, PARALLEL 8X12	2							
8	1	114299-01800	SHIM SET, PUMP	1							
19	1	114299-01830	COVER, PUMP	1							
20	1	114250-01841	GASKET, COVER	1							
21	1	22312-040080	PIN, PARALLEL M4X 8	2							
22	1	23875-020000	PLUG, R02	1							
23	1	26226-060182	STUD, M6X 18	1							
24	1	26226-060222	STUD, M6X 22	2							
25	1	26366-060002	NUT, M6	3							
27	1	114399-01410	GASKET, CASE COVER	1							
28	1	114210-01450	COVER, CRANK CASE	1							
31	2	114350-02100	METAL, MAIN	1							1
33	1	114299-35150	PIPE, OIL INLET	1							
34	1	26106-080352	BOLT, M8X 35 PLATED	15							
35	1	114350-02200	METAL, MAIN 0.25 US	1							2
36	1	114350-02210	METAL, MAIN 0.50 US	1							3
38	1	114299-02030	RETAINER, BEARING	1							
39	1	114350-02113	BEARING, B35-135G3C3	1							
40	1	160110-02220	SEAL, OIL 30X45X8	1							
41	1	160110-02220	SEAL, OIL 30X45X8	1							
42	1	24162-152116	BEARING, 152116	1							
43	1	26106-080122	BOLT, M8X 12 PLATED	1							

Remarks
 (1)Spare parts.
 (2)Under-sized(U.S.=0.25) parts.
 (3)Under-sized(U.S.=0.50) parts.

OCC50-M01650 ENGINE
 Fig.2. DRAIN PLUG



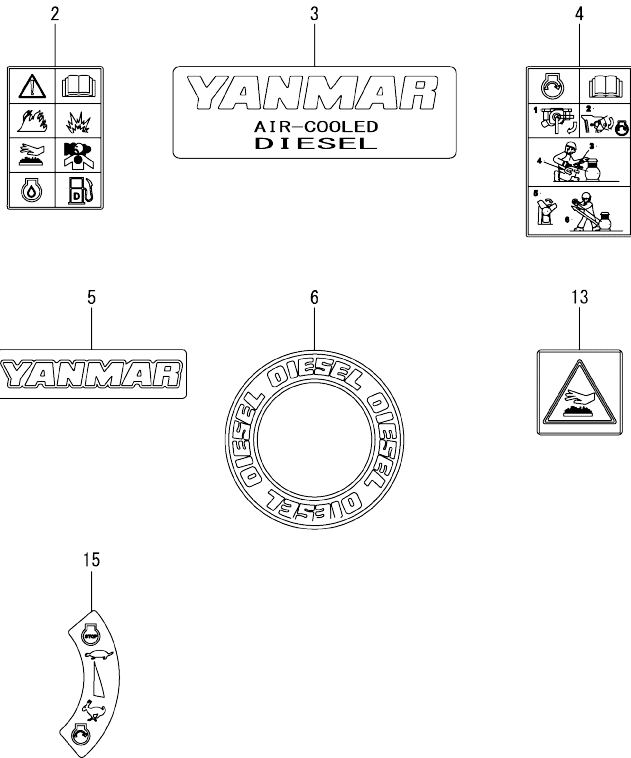
OCC50-M01650 Fig.2

(A)=L70N5-MPERY1
 (B)=
 (C)=

(D)=
 (E)=
 (F)=

No.	Lev.	Parts No.	Description	Q'ty					
				(A)	(B)	(C)	(D)	(E)	(F)
1	1	114299-01690	PLUG, DRAIN 16	2					
2	1	114699-01760	CAP ASSY, OIL SUPPLY	2					
4	2	114299-01950	O-RING, 18	2					
5	1	22190-160002	WASHER, SEAL 16	2					
7	1	114399-01700	COVER, STARTER	1					
8	1	26106-100122	BOLT, M10X 12 PLATED	2					

Fig.3. LABEL

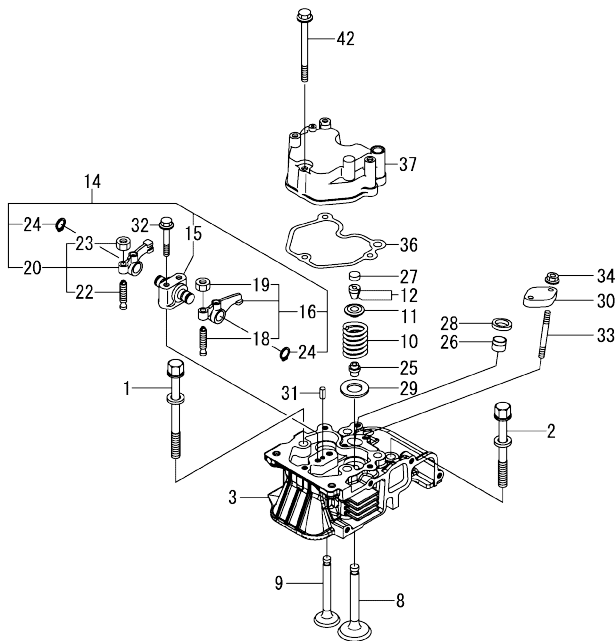


(A)=L70N5-MPERY1
(B)=
(C)=

(D)=
(E)=
(F)=

No.	Lev.	Parts No.	Description	Q'ty					
				(A)	(B)	(C)	(D)	(E)	(F)
2	1	114220-07100	LABEL, CAUTION	1					
3	1	114299-07101	LABEL, YANMAR MARK A	1					
4	1	114220-07110	LABEL, HOW TO START	1					
5	1	114299-07111	LABEL, YANMAR MARK B	1					
6	1	114299-07160	LABEL, DIESEL	1					
13	1	114220-07130	LABEL, HOT SURFACE	1					
15	1	114220-07160	LABEL, THAI	1					

Fig.4. CYLINDER HEAD & BONNET

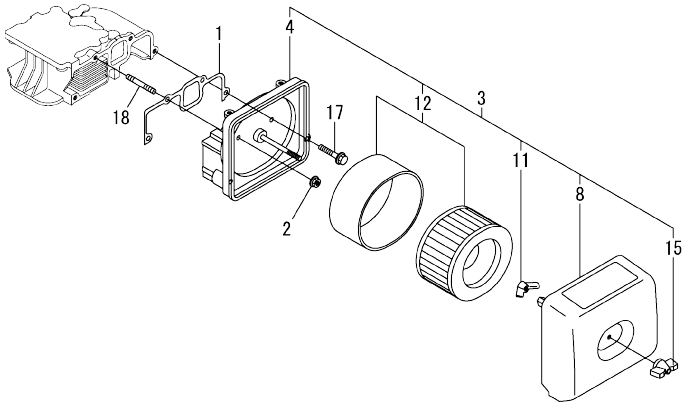


(A)=L70N5-MPERY1
(B)=
(C)=

(D)=
(E)=
(F)=

No.	Lev.	Parts No.	Description	Q'ty						I	R
				(A)	(B)	(C)	(D)	(E)	(F)		
1	1	114210-01200	BOLT, HEAD A	2							
2	1	114210-01210	BOLT, HEAD B	2							
3	1	11422C-11020	HEAD ASSY, CYLINDER	1							
8	1	11421C-11100	VALVE, INTAKE	1							
9	1	11421C-11110	VALVE, EXHAUST	1							
10	1	114210-11120	SPRING, VALVE	2							
11	1	114210-11180	RETAINER, SPRING	2							
12	1	114210-11930	COTTER ASSY	2							
14	1	11421C-11250	SUPPORT ASSY, ARM	1							
15	2	11421C-11260	SUPPORT, ROCKER ARM	1							
16	2	11421C-11650	ARM ASSY, ROCKER	1							
18	3	114250-11240	SCREW, VALVE ADJUST	1							
19	3	26856-060002	NUT, M6	1							
20	2	11421C-11660	ARM ASSY, ROCKER EXH	1							
22	3	114250-11240	SCREW, VALVE ADJUST	1							
23	3	26856-060002	NUT, M6	1							
24	2	22242-000120	RING, 12	2							
25	1	114350-11341	SEAL, VALVE STEM	2							
26	1	114240-11450	PROTECTOR, NOZZLE	1							
27	1	105010-11490	CAP, VALVE	2							
28	1	114240-11550	SEAT, NOZZLE	1							
29	1	114299-11600	WASHER, VALVE SPRING	2							
30	1	114210-11901	RETAINER, VALVE	1							
31	1	22351-040008	PIN, SPRING 4.0X 8	1							
32	1	26106-060402	BOLT, M6X 40 PLATED	2							
33	1	26226-060552	STUD, M6X 55	2							
34	1	26366-060002	NUT, M6	2							
36	1	114210-11310	GASKET, BONNET	1							
37	1	114210-11980	BONNET ASSY, HEAD	1							
42	1	26106-060552	BOLT, M6X 55 PLATED	3							

Fig.5. AIR CLEANER

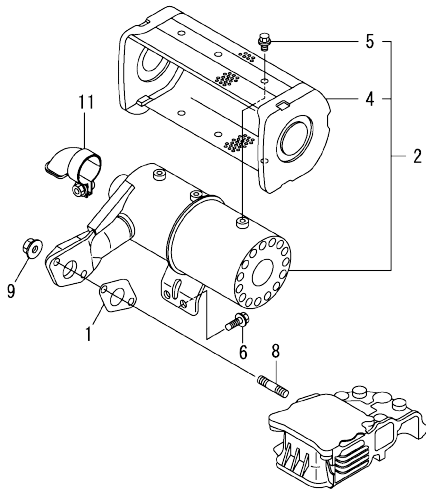


(A)=L70N5-MPERY1
(B)=
(C)=

(D)=
(E)=
(F)=

No.	Lev.	Parts No.	Description	Q'ty						I	R
				(A)	(B)	(C)	(D)	(E)	(F)		
1	1	114210-12210	GASKET, AIR CLEANER	1							
2	1	114299-12300	NUT	3							
3	1	114220-12550	CLEANER ASSY, AIR	1							
4	2	114210-12010	BODY ASSY, CLEANER	1							
8	2	114220-12500	COVER ASSY, CLEANER	1							
11	2	114210-12560	NUT, WING	1							
12	2	114210-12590	ELEMENT ASSY	1							
15	2	114210-12600	KNOB	1							
17	1	26106-060202	BOLT, M6X 20 PLATED	1							
18	1	26226-060302	STUD, M6X 30	3							

Fig.6. EXHAUST MUFFLER



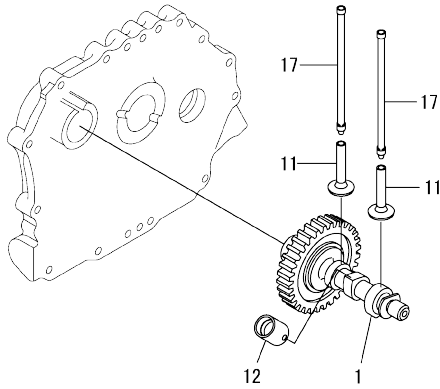
(A)=L70N5-MPERY1
(B)=
(C)=

(D)=
(E)=
(F)=

No.	Lev.	Parts No.	Description	Q'ty						I	R
				(A)	(B)	(C)	(D)	(E)	(F)		
1	1	114299-13200	GASKET, MUFFLER	1							
2	1	114368-13501	MUFFLER ASSY, E-T	1							
4	2	114268-13700	COVER, SILENCER	1							
5	2	26106-060082	BOLT, M6X 8 PLATED	6							
6	1	26106-060142	BOLT, M6X 14 PLATED	2							
8	1	26216-080182	STUD, M8X 18	2							
9	1	26306-080002	NUT, M8	2							
11	1	114299-13800	EXTENSION ASSY	1							

OCC50-M01650 ENGINE
 Fig.7. CAMSHAFT

OCC50-M01650 Fig.7



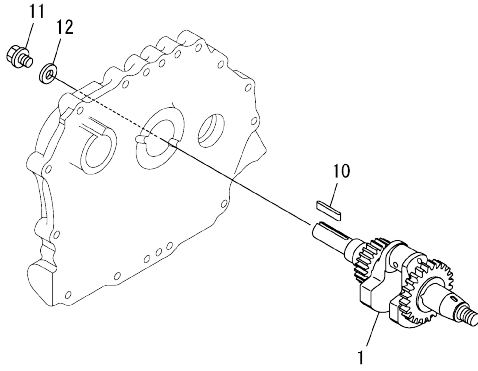
(A)=L70N5-MPERY1
 (B)=
 (C)=

(D)=
 (E)=
 (F)=

No.	Lev.	Parts No.	Description	Q'ty						
				(A)	(B)	(C)	(D)	(E)	(F)	
1	1	114220-14140	CAMSHAFT ASSY	1						
1-1	1	114220-14150 (A=2021.04.)	CAMSHAFT ASSY	1						N
11	1	114210-14200	TAPPET		2					
12	1	114210-14300	TAPPET ASSY, ROLLER		1					
17	1	114220-14400	ROD ASSY, PUSH		2					

OCC50-M01650 ENGINE

Fig.8. CRANKSHAFT



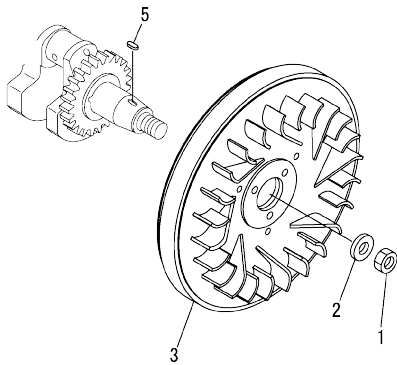
OCC50-M01650 Fig.8

(A)=L70N5-MPERY1
(B)=
(C)=

(D)=
(E)=
(F)=

No.	Lev.	Parts No.	Description	Q'ty					
				(A)	(B)	(C)	(D)	(E)	(F)
1	1	11421C-21830	CRANKSHAFT ASSY, E-D	1					
10	1	160842-21150	KEY, FEATHER 6.3X50	1					
11	1	160842-21250	BOLT, 7/16-20UNF	1					
12	1	160842-21260	WASHER, PULLEY	1					

OCC50-M01650 ENGINE
 Fig.9. FLYWHEEL



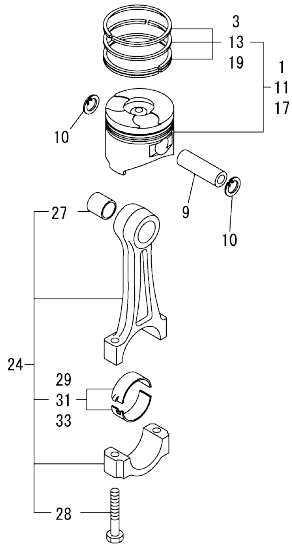
OCC50-M01650 Fig.9

(A)=L70N5-MPERY1
 (B)=
 (C)=

(D)=
 (E)=
 (F)=

No.	Lev.	Parts No.	Description	Q'ty					
				(A)	(B)	(C)	(D)	(E)	(F)
1	1	114299-21220	NUT, WHEEL	1					
2	1	114299-21550	WASHER, FLYWHEEL	1					
3	1	114399-21420	FLYWHEEL, DE	1					
5	1	22512-040120	KEY, 4X 12	1					

Fig.10. PISTON & CONNECTING ROD



(A)=L70N5-MPERY1
(B)=
(C)=

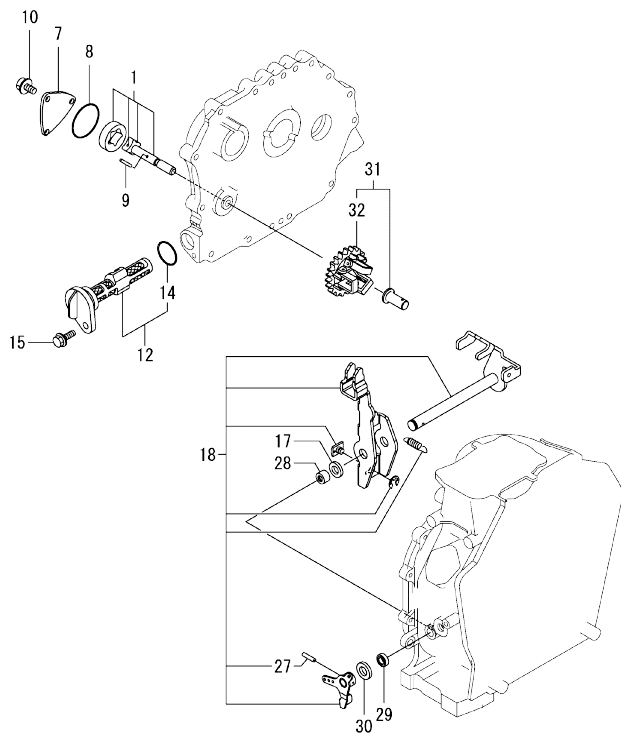
(D)=
(E)=
(F)=

No.	Lev.	Parts No.	Description	Q'ty						I	R
				(A)	(B)	(C)	(D)	(E)	(F)		
1	1	714220-22720	PISTON ASSY, D	1							
3	2	714870-22502	RING SET, PISTON	1							
9	1	114399-22300	PIN, PISTON D=21	1							
10	1	22252-000210	RING, 21	2							
11	1	714220-22620	PISTON ASSY, 0.25 OS	1							1
13	2	714870-22542	RING SET, PISTON .25	1							1
17	1	714220-22580	PISTON ASSY, 0.50 OS	1							2
19	2	714870-22552	RING SET, 0.50 OS	1							2
24	1	71421C-23010	ROD ASSY, CONNECTING	1							2
27	3	114380-23100	BEARING, PISTON PIN	1							
28	3	118200-23200	BOLT, CONNECTING ROD	2							
29	2	114210-23600	METAL ASSY, CRANK PIN	1							
31	1	114210-23610	METAL, CRANK PIN .25	1							3
33	1	114210-23620	METAL, CRANK PIN .50	1							4

Remarks

- (1)Over-sized(O.S.=0.25) parts.
- (2)Over-sized(O.S.=0.50) parts.
- (3)Under-sized(U.S.=0.25) parts.
- (4)Under-sized(U.S.=0.50) parts.

Fig.12. LUB. OIL PUMP & GOVERNOR



(A)=L70N5-MPERY1
(B)=
(C)=

(D)=
(E)=
(F)=

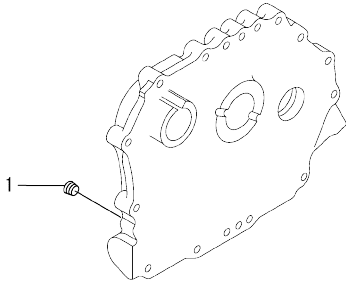
No.	Lev.	Parts No.	Description	Q'ty						I	R
				(A)	(B)	(C)	(D)	(E)	(F)		
1	1	114250-32010	PUMP ASSY, OIL	1							
7	1	114299-32070	COVER, OIL PUMP	1							
8	1	114299-32570	O-RING, PUMP COVER	1							
9	1	22312-030160	PIN, PARALLEL M3X16	1							
10	1	26106-060122	BOLT, M6X 12 PLATED	3							
12	1	114299-35110	FILTER ASSY, OIL	1							
14	2	24341-000224	O-RING, 1AS22.4	1							
15	1	26106-060162	BOLT, M6X 16 PLATED	1							
17	1	114299-61190	WASHER, GOVERNOR	1							
18	1	114211-61500	LEVER ASSY, GOVERNOR	1							1
27	2	22322-030200	PIN, TAPER 3X20	1							
28	1	114770-61520	BEARING, NEEDLE	2							
29	1	114299-61600	SEAL, OIL	1							
30	1	114770-61610	WASHER, THRUST	1							
31	1	714210-61701	GOVERNOR ASSY	1							
32	2	114210-61290	WEIGHT ASSY,GOVERNOR	1							

Remarks

(1)On a guarantee of quality component part shall not be sold.

OCC50-M01650 ENGINE

Fig.13. SWITCH CAP(OIL PRESSURE)



OCC50-M01650 Fig.13

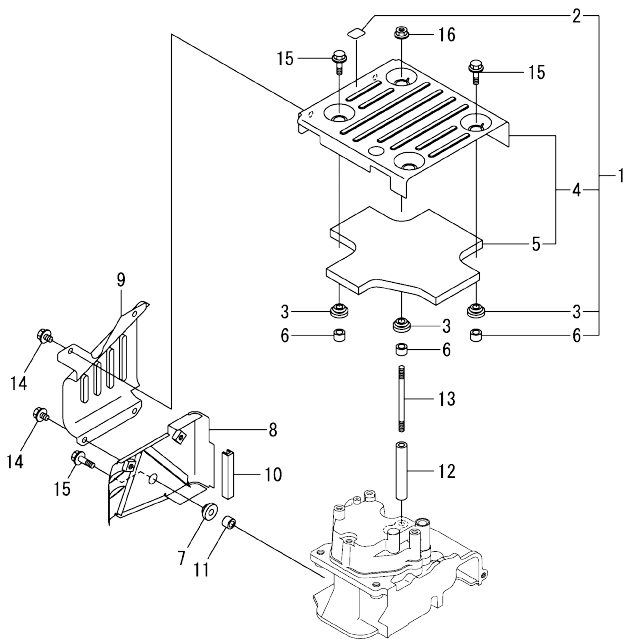
(A)=L70N5-MPERY1
(B)=
(C)=

(D)=
(E)=
(F)=

No.	Lev.	Parts No.	Description	Q'ty						I	R
				(A)	(B)	(C)	(D)	(E)	(F)		
1	1	23876-010000	PLUG, R01	1							

OCC50-M01650 ENGINE
 Fig.14. COVER

OCC50-M01650 Fig.14

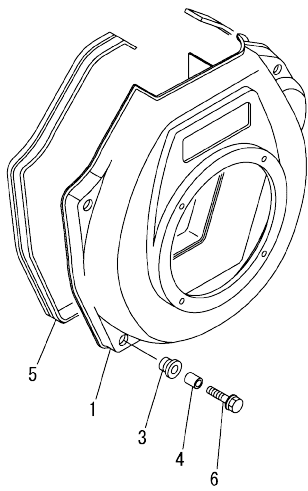


(A)=L70N5-MPERY1
 (B)=
 (C)=

(D)=
 (E)=
 (F)=

No.	Lev.	Parts No.	Description	Q'ty						I	R
				(A)	(B)	(C)	(D)	(E)	(F)		
1	1	114220-45210	COVER ASSY, TOP	1							
2	2	114220-07120	LABEL, DECOMPRESSION	1							
3	2	114299-45220	GROMMET, TANK	4							
4	2	114210-45320	COVER, TOP	1							
5	3	114210-45310	ACOUSTIC ABSORBENT	1							
6	2	114399-45340	COLLAR	4							
7	1	114299-45220	GROMMET, TANK	1							
8	1	114210-45260	COVER, SIDE B	1							
9	1	114210-45270	COVER, SIDE A	1							
10	1	114399-45320	RUBBER, SEAL	1							
11	1	114399-45340	COLLAR	1							
12	1	114210-45350	SPACER, TOP COVER	1							
13	1	114210-45360	STUD, M6X87	1							
14	1	26106-060082	BOLT, M6X 8 PLATED	4							
15	1	26106-060202	BOLT, M6X 20 PLATED	4							
16	1	26366-060002	NUT, M6	1							

Fig.15. COOLING FAN CASE

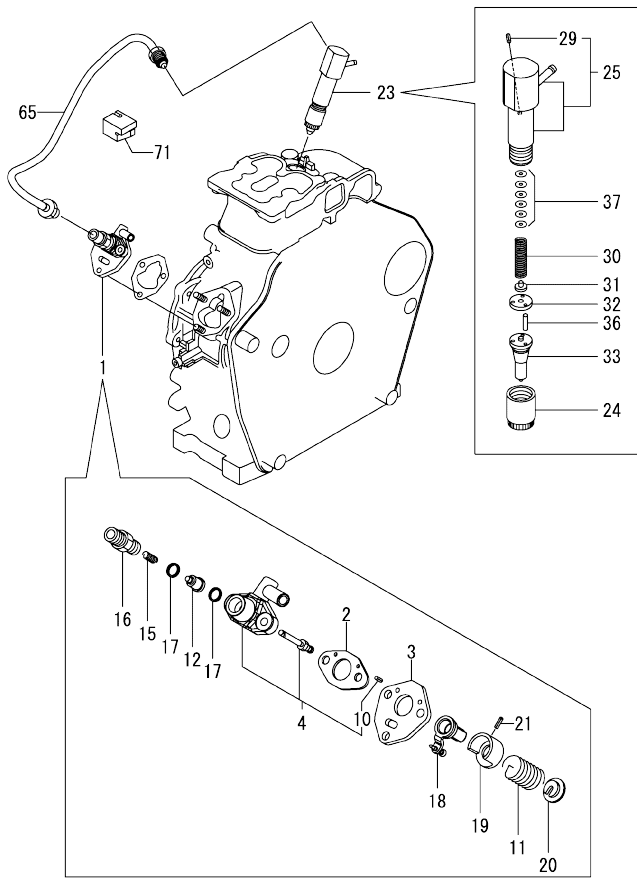


(A)=L70N5-MPERY1
(B)=
(C)=

(D)=
(E)=
(F)=

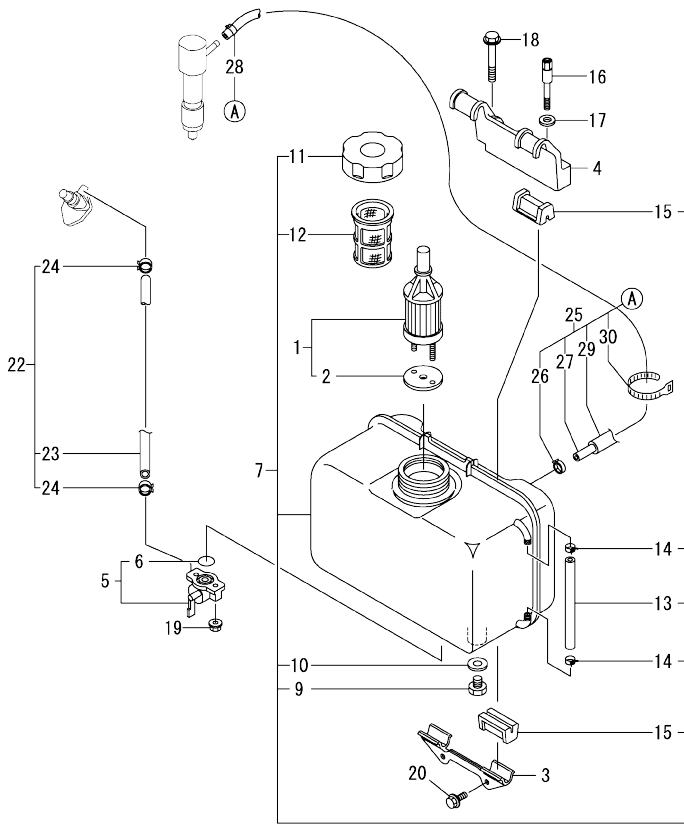
No.	Lev.	Parts No.	Description	Q'ty						I	R
				(A)	(B)	(C)	(D)	(E)	(F)		
1	1	114210-45150	CASE, COOLING FAN	1							
3	1	114299-45301	RUBBER, FAN CASE	4							
4	1	114299-45310	COLLAR, FAN CASE	4							
5	1	114299-45331	SEAL, FAN CASE	1							
6	1	114299-45350	BOLT, FAN CASE	4							

Fig.16. FUEL INJECTION PUMP & FUEL INJECTION VALVE



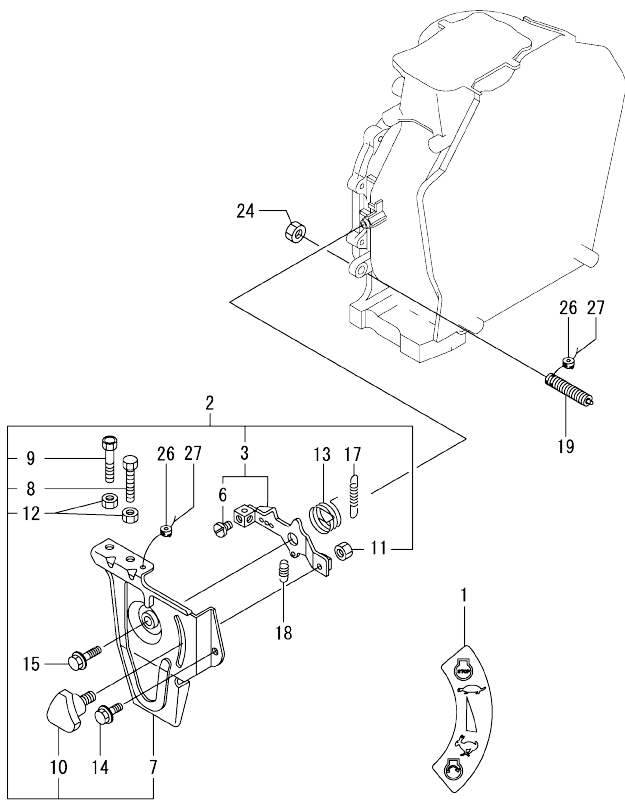
No.	Lev.	Parts No.	Description	Q'ty						I	R
				(A)	(B)	(C)	(D)	(E)	(F)		
1	1	714239-51210	PUMP ASSY, INJECTION	1							
2	2	105546-51020	GASKET, PUMP BODY	1							
3	2	114250-51080	PLATE	1							
4	2	114239-51100	BODY ASSY, PUMP	1							
10	4	22351-020006	PIN, SPRING 2.0X 6	2							
11	2	114250-51160	SPRING, PLUNGER	1							
12	2	114650-51300	VALVE ASSY, DELIVERY	1							
15	2	105546-51330	SPRING, DELIVERY	1							
16	2	114250-51340	HOLDER, DELIVERY	1							
17	2	124550-51350	GASKET, DELIVERY	2							
18	2	114250-51500	LEVER, CONTROL	1							
19	2	114250-51640	SEAT, SPRING A	1							
20	2	114250-51650	SEAT, SPRING B	1							
21	2	22351-030008	PIN, SPRING 3.0X 8	1							
23	1	714239-53200	VALVE ASSY, INJECTION	1							
24	2	114250-53080	NUT, NOZZLE	1							
25	2	114339-53100	HOLDER ASSY, NOZZLE	1							
29	3	22351-025005	PIN, SPRING 2.5X 6	1							
30	2	114250-53120	SPRING, NOZZLE	1							
31	2	114250-53130	SEAT, SPRING	1							
32	2	114250-53140	SPACER, VALVE STOP	1							
33	2	114239-53200	VALVE ASSY, INJECTION	1							
36	2	114250-53210	PIN, POSITIONING	2							
37	2	119803-53400	SHIM SET	1							
65	1	114210-59800	PIPE ASSY, INJECTION	1							
71	1	114210-59850	SUPPORT, PIPE	1							

Fig.17. FUEL TANK & FUEL PIPE



No.	Lev.	Parts No.	Description	Q'ty						I	R
				(A)	(B)	(C)	(D)	(E)	(F)		
1	1	114250-55122	FILTER ASSY,FUEL OIL	1							
2	2	114250-55130	GASKET	1							
3	1	114210-55210	STAY, FUEL TANK A	1							
4	1	114210-55230	STAY, FUEL TANK B	1							
5	1	114250-55301	COCK ASSY, FUEL	1							
6	2	24341-000150	O-RING, 1AS15.0	1							
7	1	11421C-55730	TANK ASSY, FUEL	1							
9	2	114299-55080	PLUG, DRAIN	1							
10	2	23414-080000	GASKET, 8X1.0	1							
11	2	114299-55040	CAP ASSY, FUEL TANK	1							
12	2	114299-55110	STRAINER, FUEL TANK	1							
13	2	114239-55150	GAUGE, OIL LEVEL	1							
14	2	23080-007000	CLAMP, 7	2							
15	2	114250-55201	DAMPER, FUEL TANK	4							
16	1	114210-55810	BOLT, LIFTING	1							
17	1	22117-080000	WASHER, 8	1							
18	1	26106-080452	BOLT, M8X 45 PLATED	1							
19	1	26366-060002	NUT, M6	2							
20	1	26106-060162	BOLT, M6X 16 PLATED	2							
22	1	114780-59010	PIPE ASSY, FUEL L50	1							
23	2	114780-59060	PIPE, FUEL L=50	1							
24	2	23080-014000	CLAMP, 14	2							
25	1	114239-59300	PIPE ASSY, RETURN	1							
25-1	1	114239-59301	PIPE ASSY, FO RETURN	1							N
(A=*2019.03)											
26	2	124722-59050	CLAMP, HOSE 9	1							
27	2	114650-59060	PIPE, FUEL RETURN	1							
27-1	2	114650-59061	PIPE, FO RETURN	1							N
(A=*2019.03)											
28	2	124066-59100	CLAMP, HOSE 8	1							
29	2	114652-59310	TUBE, PROTECT	1							
30	2	121750-59890	BAND, NYLON	1							

Fig.18. CONTROL DEVICE

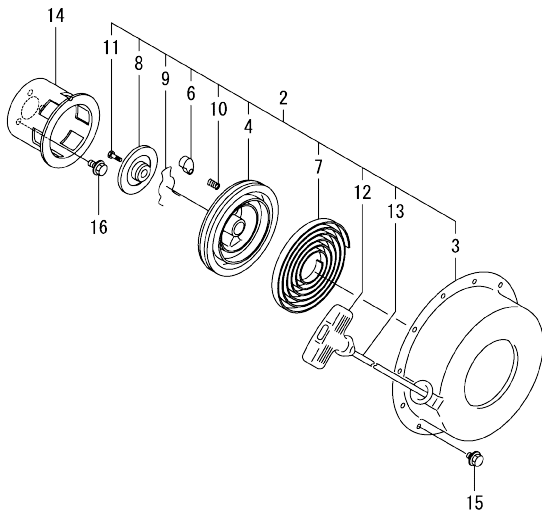


(A)=L70N5-MPERY1
(B)=
(C)=

(D)=
(E)=
(F)=

No.	Lev.	Parts No.	Description	Q'ty						I	R
				(A)	(B)	(C)	(D)	(E)	(F)		
1	1	114220-07160	LABEL, THAI	1							
2	1	714210-66100	CONTROL ASSY, SPEED	1							
3	2	114210-66060	HANDLE ASSY	1							
6	3	26117-050089	BOLT, M5X 8 PLATED	1							
7	2	114210-66100	BRACKET, REGULATOR	1							
8	2	114299-66440	BOLT, ADJUSTER	1							
9	2	114299-67080	BOLT, ADJUST	1							
10	2	160725-78350	BOLT, KNOB M6X15	1							
11	2	26347-060002	NUT, M6	1							
12	2	26857-060002	NUT, M6	2							
13	1	114299-66250	SPRING, RETURN	1							
14	1	26106-060142	BOLT, M6X 14 PLATED	1							
15	1	26106-060202	BOLT, M6X 20 PLATED	1							
17	1	114220-66010	SPRING, REGULATOR	1							
18	1	114299-66201	SPRING, RETURN	1							
19	1	114211-66600	LIMITER ASSY, FUEL	1							
24	1	26776-100002	NUT, LOCK M10	1							
26	1	114780-61090	TIN	2							
27	1	22451-060000	WIRE, 0.6	2							

Fig.19. RECOIL STARTER



(A)=L70N5-MPERY1
(B)=
(C)=

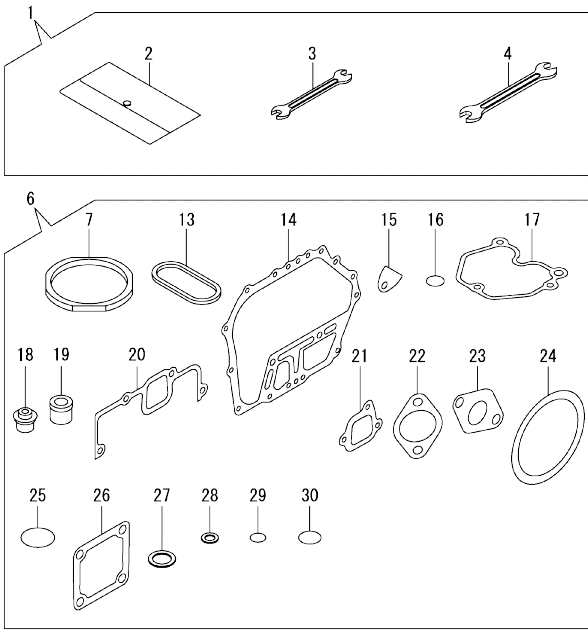
(D)=
(E)=
(F)=

No.	Lev.	Parts No.	Description	Q'ty						I	R
				(A)	(B)	(C)	(D)	(E)	(F)		
2	2	114399-76251	STARTER ASSY, RECOIL	1							
3	3	114399-76510	CASE, STARTER	1							
4	3	114399-76521	REEL, RECOIL STARTER	1							
6	3	114399-76600	RATCHET	1							
7	3	114399-76540	SPRING, SPIRAL	1							
8	3	114399-76550	COVER, RATCHET	1							
9	3	114399-76560	SPRING	1							
10	3	114399-76570	SPRING, RETURN	1							
11	3	114399-76580	SCREW	1							
12	3	114399-76620	KNOB, STARTER	1							
13	3	114399-76630	ROPE, STARTER	1							
14	2	114399-76590	PULLEY, STARTER	1							
15	1	26106-060082	BOLT, M6X 8 PLATED	4							
16	1	26106-060122	BOLT, M6X 12 PLATED	3							

Fig.20. GASKET SET & TOOL

(A)=L70N5-MPERY1
(B)=
(C)=

(D)=
(E)=
(F)=



No.	Lev.	Parts No.	Description	Q'ty						I	R
				(A)	(B)	(C)	(D)	(E)	(F)		
1	1	114299-92590	TOOL ASSY	1							
2	2	114299-92600	BAG, TOOL	1							
3	2	114299-92710	WRENCH	1							
4	2	114299-92720	WRENCH	1							
6	1	114220-92600	GASKET SET	1							1
7	2	114395-01331	GASKET, HEAD	1							
13	2	114399-01380	O-RING, TAPPET	1							
14	2	114399-01410	GASKET, CASE COVER	1							
15	2	114250-01841	GASKET, COVER	1							
16	2	114299-01950	O-RING, 18	2							
17	2	114210-11310	GASKET, BONNET	1							
18	2	114350-11341	SEAL, VALVE STEM	2							
19	2	114771-11461	GASKET, NOZZLE	1							
20	2	114210-12210	GASKET, AIR CLEANER	1							
21	2	114299-12210	GASKET, AIR CLEANER	2							
22	2	114299-12920	GASKET, AIR CLEANER	1							
23	2	114299-13200	GASKET, MUFFLER	1							
24	2	114399-21980	GASKET	1							
25	2	114299-32570	O-RING, PUMP COVER	1							
26	2	129100-77510	GASKET, AIR HEATER	3							
27	2	22190-160002	WASHER, SEAL 16	2							
28	2	23414-080000	GASKET, 8X1.0	1							
29	2	24341-000150	O-RING, 1AS15.0	1							
30	2	24341-000224	O-RING, 1AS22.4	1							

Remarks

(1)Optional parts.

Parts No. Index

Parts No.	Fig. No.	Ref. No.	Parts No.	Fig. No.	Ref. No.	Parts No.	Fig. No.	Ref. No.	Parts No.	Fig. No.	Ref. No.
105010-11490	4	27	11421C-55730	17	7	114299-02030	1	38	114399-01410	1	27
105546-51020	16	2	114220-07100	3	2	114299-07101	3	3		20	14
105546-51330	16	15	114220-07110	3	4	114299-07111	3	5	114399-01700	2	7
114210-01020	1	1	114220-07120	14	2	114299-07160	3	6	114399-21420	9	3
114210-01200	4	1	114220-07130	3	13	114299-11600	4	29	114399-21980	20	24
114210-01210	4	2	114220-07160	3	15	114299-12210	20	21	114399-22300	10	9
114210-01450	1	28		18	1	114299-12300	5	2	114399-45320	14	10
114210-11120	4	10	114220-12500	5	8	114299-12920	20	22	114399-45340	14	6
114210-11180	4	11	114220-12550	5	3	114299-13200	6	1			11
114210-11310	4	36	114220-14140	7	1		20	23	114399-76251	19	2
	20	17	114220-14150	7	1 -1	114299-13800	6	11	114399-76510	19	3
114210-11901	4	30	114220-14400	7	17	114299-21220	9	1	114399-76521	19	4
114210-11930	4	12	114220-45210	14	1	114299-21550	9	2	114399-76540	19	7
114210-11980	4	37	114220-66010	18	17	114299-32070	12	7	114399-76550	19	8
114210-12010	5	4	114220-92600	20	6	114299-32570	12	8	114399-76560	19	9
114210-12210	5	1	11422C-11020	4	3		20	25	114399-76570	19	10
	20	20	114239-51100	16	4	114299-35110	12	12	114399-76580	19	11
114210-12560	5	11	114239-53200	16	33	114299-35150	1	33	114399-76590	19	14
114210-12590	5	12	114239-55150	17	13	114299-45220	14	3	114399-76600	19	6
114210-12600	5	15	114239-59300	17	25			7	114399-76620	19	12
114210-14200	7	11	114239-59301	17	25 -1	114299-45301	15	3	114399-76630	19	13
114210-14300	7	12	114240-11450	4	26	114299-45310	15	4	114650-51300	16	12
114210-23600	10	29	114240-11550	4	28	114299-45331	15	5	114650-59060	17	27
114210-23610	10	31	114250-01841	1	20	114299-45350	15	6	114650-59061	17	27 -1
114210-23620	10	33		20	15	114299-55040	17	11	114652-59310	17	29
114210-28050	11	6	114250-11240	4	18	114299-55080	17	9	114699-01760	2	2
114210-45150	15	1			22	114299-55110	17	12	114770-61520	12	28
114210-45260	14	8	114250-32010	12	1	114299-61190	12	17	114770-61610	12	30
114210-45270	14	9	114250-51080	16	3	114299-61600	12	29	114771-11461	20	19
114210-45310	14	5	114250-51160	16	11	114299-66201	18	18	114780-59010	17	22
114210-45320	14	4	114250-51340	16	16	114299-66250	18	13	114780-59060	17	23
114210-45350	14	12	114250-51500	16	18	114299-66440	18	8	114780-61090	18	26
114210-45360	14	13	114250-51640	16	19	114299-67080	18	9	118200-23200	10	28
114210-55210	17	3	114250-51650	16	20	114299-92590	20	1	119803-53400	16	37
114210-55230	17	4	114250-53080	16	24	114299-92600	20	2	121750-59890	17	30
114210-55810	17	16	114250-53120	16	30	114299-92710	20	3	124066-59100	17	28
114210-59800	16	65	114250-53130	16	31	114299-92720	20	4	124550-51350	16	17
114210-59850	16	71	114250-53140	16	32	114339-53100	16	25	124722-59050	17	26
114210-61290	12	32	114250-53210	16	36	114350-02100	1	31	129100-77510	20	26
114210-66060	18	3	114250-55122	17	1	114350-02113	1	39	160110-02220	1	40
114210-66100	18	7	114250-55130	17	2	114350-02200	1	35			41
114211-61500	12	18	114250-55201	17	15	114350-02210	1	36	160725-78350	18	10
114211-66600	18	19	114250-55301	17	5	114350-11341	4	25	160842-21150	8	10
11421C-11100	4	8	114268-13700	6	4		20	18	160842-21250	8	11
11421C-11110	4	9	114299-01600	1	7	114368-13501	6	2	160842-21260	8	12
11421C-11250	4	14	114299-01690	2	1	114380-23100	10	27	22117-080000	17	17
11421C-11260	4	15	114299-01800	1	8	114395-01331	20	7	22190-160002	2	5
11421C-11650	4	16	114299-01830	1	19	114395-01341	1	5		20	27
11421C-11660	4	20	114299-01950	2	4	114399-01380	1	6	22242-000120	4	24
11421C-21830	8	1		20	16		20	13	22252-000210	10	10

Parts No. Index

Parts No.	Fig. No.	Ref. No.
22312-030160	12	9
22312-040080	1	21
22322-030200	12	27
22351-020006	16	10
22351-025005	16	29
22351-030008	16	21
22351-040008	4	31
22451-060000	18	27
22512-040120	9	5
23080-007000	17	14
23080-014000	17	24
23414-080000	17	10
	20	28
23875-020000	1	22
23876-010000	13	1
24162-152116	1	42
24341-000150	17	6
	20	29
24341-000224	12	14
	20	30
26106-060082	6	5
	14	14
	19	15
26106-060122	12	10
	19	16
26106-060142	6	6
	18	14
26106-060162	12	15
	17	20
26106-060202	5	17
	14	15
	18	15
26106-060402	4	32
26106-060552	4	42
26106-080122	1	43
26106-080352	1	34
26106-080452	17	18
26106-100122	2	8
26117-050089	18	6
26216-080182	6	8
26226-060182	1	23
26226-060222	1	24
26226-060302	5	18
26226-060552	4	33
26306-080002	6	9
26347-060002	18	11
26366-060002	1	25
	4	34
	14	16
	17	19

Parts No.	Fig. No.	Ref. No.
26776-100002	18	24
26856-060002	4	19
		23
26857-060002	18	12
714210-28510	11	1
714210-61701	12	31
714210-66100	18	2
71421C-23010	10	24
714220-22580	10	17
714220-22620	10	11
714220-22720	10	1
714239-51210	16	1
714239-53200	16	23
714870-22502	10	3
714870-22542	10	13
714870-22552	10	19

Parts No.	Fig. No.	Ref. No.
-----------	----------	----------

Parts No.	Fig. No.	Ref. No.
-----------	----------	----------