

0CW10-M65400EN

Introduction

1. This parts catalog is a first edition of the L70N5-PTMYI, L70N5-PETMYI, L70N5-PATMYI, L70N5-PEATMYI Diesel engine.

	Parts catalog No.	Date of issue	Remarks
First edition	OCW10-G65400	Aug. , 2010	

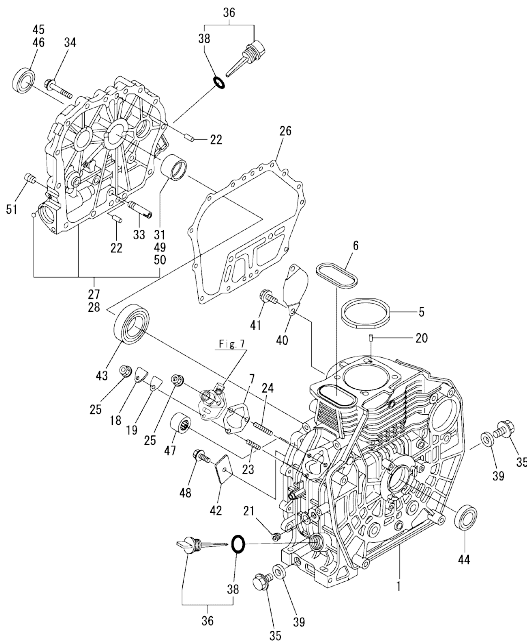
2. This parts catalog does not contain the technical data needed for maintenance service.
3. The illustrations used in this parts catalog have been simplified for clarity.
4. The contents of this parts catalog are subject to change without notice.
5. Be sure to use only Yanmar genuine parts for repairs. If imitation parts are used, it may cause engine defects.

Contents

0CW10-M65400

Fig. No.	Fig. Name	Fig. No.	Fig. Name
L70N5-PTMYI/PETMYI/PATMYI/PEATMYI			
1.	CYLINDER BLOCK		
2.	CYLINDER HEAD & BONNET		
3.	AIR CLEANER & MUFFLER		
4.	CRANKSHAFT,PISTON & CAMSHAFT		
5.	LUB.OIL PUMP & GOVERNOR		
6.	COOLING & STARTING DEVICE		
7.	FUEL INJECTION PUMP & FUEL INJECTION VALVE		
8.	FUEL TANK & FUEL PIPE		
9.	STARTING MOTOR & DYNAMO		
10.	TOOL,LABEL & GASKET SET		

Fig.1. CYLINDER BLOCK



(A)=L70N5-PTMYI
(B)=L70N5-PETMYI
(C)=L70N5-PATMYI

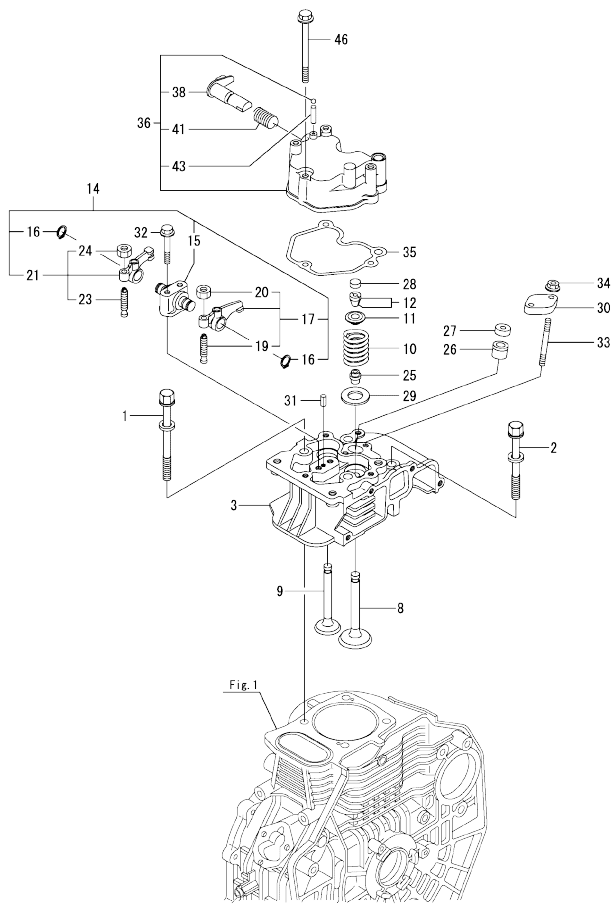
(D)=L70N5-PEATMYI
(E)=
(F)=

No.	Lev.	Parts No.	Description	Q'ty						I	R
				(A)	(B)	(C)	(D)	(E)	(F)		
1	1	114210-01020	BLOCK ASSY, CYLINDER	1	1	1	1				
5	1	114395-01341	GASKET, HEAD 0.5	1	1	1	1				
6	1	114399-01380	O-RING	1	1	1	1				
7	1	114299-01800	SHIM SET	1	1	1	1				
18	1	114299-01830	COVER	1	1	1	1				
19	1	114250-01841	GASKET	1	1	1	1				
20	1	22312-040080	PIN, PARALLEL M4X 8	2	2	2	2				
21	1	23875-020000	PLUG, R02	1	1	1	1				
22	1	114299-01600	PIN, 8X12	2	2	2	2				
23	1	26226-060182	STUD, M6X 18	1	1	1	1				
24	1	26226-060222	STUD, M6X 22	2	2	2	2				
25	1	26366-060002	NUT, M6	3	3	3	3				
26	1	114399-01410	GASKET, CRANK CASE	1	1	1	1				
27	1	114210-01450	COVER(E-D,CRANK CASE	1	1						
28	1	114210-01470	COVER, CRANK CASE			1	1				
31	2	114350-02100	BEARING, MAIN	1	1	1	1				1
33	1	114299-35150	PIPE, OIL INLET	1	1	1	1				
34	1	26106-080352	BOLT, M8X 35 PLATED	15	15	15	15				
35	1	114299-01690	PLUG M16	2	2	2	2				
36	1	114699-01760	CAP ASSY	2	2	2	2				
38	2	114299-01950	O-RING, 18	2	2	2	2				
39	1	22190-160002	WASHER, SEAL 16	2	2	2	2				
40	1	114399-01700	COVER, STARTER	1	1						
41	1	26106-100122	BOLT, M10X 12 PLATED	2	2	2					
42	1	114299-02030	RETAINER, BEARING	1	1	1	1				
43	1	114350-02113	BEARING, B35-135G3C3	1	1	1	1				
44	1	160110-02220	SEAL, OIL	1	1	1	1				
45	1	160110-02220	SEAL, OIL	1	1						
46	1	160210-02220	SEAL, 25X41.2X8			1	1				
47	1	24162-152116	BEARING, 152116	1	1	1	1				
48	1	26106-080122	BOLT, M8X 12 PLATED	1	1	1	1				
49	1	114350-02200	BEARING, 0.25 US	1	1	1	1				2
50	1	114350-02210	BEARING, 0.50 US	1	1	1	1				3
51	1	23876-010000	PLUG, R01	1	1	1	1				

Remarks

- (1)Repair parts.
- (2)Under sized(U.S.=0.25)parts.
- (3)Under sized(U.S.=0.50)parts.

Fig.2. CYLINDER HEAD & BONNET

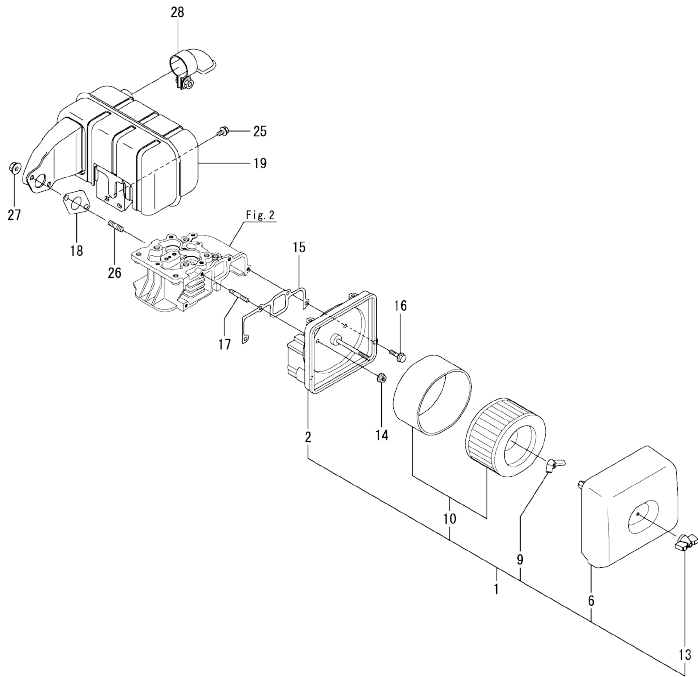


(A)=L70N5-PTMYI
(B)=L70N5-PETMYI
(C)=L70N5-PATMYI

(D)=L70N5-PEATMYI
(E)=
(F)=

No.	Lev.	Parts No.	Description	Q'ty						I	R
				(A)	(B)	(C)	(D)	(E)	(F)		
1	1	114210-01200	BOLT, CYL.HEAD A	2	2	2	2				
2	1	114210-01210	BOLT, CYL.HEAD B	2	2	2	2				
3	1	11422C-11020	HEAD ASSY, CYLINDER	1	1	1	1				
8	1	11421C-11100	VALVE, INTAKE	1	1	1	1				
9	1	11421C-11110	VALVE, EXHAUST	1	1	1	1				
10	1	114210-11120	SPRING, VALVE	2	2	2	2				
11	1	114210-11180	RETAINER, SPRING	2	2	2	2				
12	1	114210-11930	COTTER ASSY	2	2	2	2				
14	1	11421C-11250	SUPPORT ASSY, ARM	1	1	1	1				
15	2	11421C-11260	SUPPORT, ROCKER ARM	1	1	1	1				
16	2	22242-000120	RING, 12	2	2	2	2				
17	2	11421C-11650	ARM ASSY, ROCKER	1	1	1	1				
19	3	114250-11240	SCREW, VALVE ADJUST	1	1	1	1				
20	3	26856-060002	NUT, M6	1	1	1	1				
21	2	11421C-11660	ARM ASSY, ROCKER	1	1	1	1				
23	3	114250-11240	SCREW, VALVE ADJUST	1	1	1	1				
24	3	26856-060002	NUT, M6	1	1	1	1				
25	1	114350-11340	SEAL, VALVE STEM	2	2	2	2				
26	1	114339-11451	PROTECTOR, NOZZLE	1	1	1	1				
27	1	114339-11551	SEAT, NOZZLE	1	1	1	1				
28	1	105010-11490	CAP, VALVE	2	2	2	2				
29	1	114299-11600	WASHER, VALVE SPRING	2	2	2	2				
30	1	114210-11901	RETAINER, NOZZLE	1	1	1	1				
31	1	22351-040008	PIN, SPRING 4.0X 8	1	1	1	1				
32	1	26106-060402	BOLT, M6X 40 PLATED	2	2	2	2				
33	1	26226-060552	STUD, M6X 55	2	2	2	2				
34	1	26366-060002	NUT, M6	2	2	2	2				
35	1	114210-11310	GASKET, BONNET	1	1	1	1				
36	1	114210-11950	BONNET ASSY, HEAD	1	1	1	1				
38	2	114210-03590	DECOMPRESSION ASSY	1	1	1	1				
41	2	114299-03640	SPRING, DECOMPRESSION	1	1	1	1				
43	2	22312-030160	PIN, PARALLEL M3X16	1	1	1	1				
46	1	26106-060552	BOLT, M6X 55 PLATED	3	3	3	3				

Fig.3. AIR CLEANER & MUFFLER

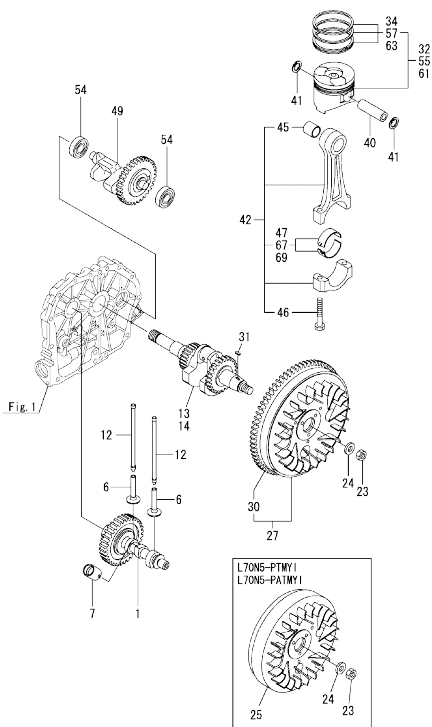


(A)=L70N5-PTMYI
(B)=L70N5-PETMYI
(C)=L70N5-PATMYI

(D)=L70N5-PEATMYI
(E)=
(F)=

No.	Lev.	Parts No.	Description	Q'ty						I	R
				(A)	(B)	(C)	(D)	(E)	(F)		
1	1	114220-12550	CLEANER ASSY, AIR	1	1	1	1				
2	2	114210-12010	BODY ASSY, AIR CLNR	1	1	1	1				
6	2	114220-12500	COVER ASSY, AIR CLNR	1	1	1	1				
9	2	114210-12560	NUT, WING	1	1	1	1				
10	2	114210-12590	ELEMENT ASSY	1	1	1	1				
13	2	114210-12600	LOCKING KNOB	1	1	1	1				
14	1	114299-12300	NUT	3	3	3	3				
15	1	114210-12210	GASKET, AIR CLEANER	1	1	1	1				
16	1	26106-060202	BOLT, M6X 20 PLATED	1	1	1	1				
17	1	26226-060302	STUD, M6X 30	3	3	3	3				
18	1	114299-13200	GASKET, MUFFLER	1	1	1	1				
19	1	11421C-13500	MUFFLER ASSY	1	1	1	1				
25	1	26106-060142	BOLT, M6X 14 PLATED	2	2	2	2				
26	1	26216-080182	STUD, M8X 18	2	2	2	2				
27	1	26366-080002	NUT, M8	2	2	2	2				
28	1	114299-13800	EXTENSION ASSY	1	1	1	1				

Fig.4. CRANKSHAFT,PISTON & CAMSHAFT



(A)=L70N5-PTMYI
(B)=L70N5-PETMYI
(C)=L70N5-PATMYI

(D)=L70N5-PEATMYI
(E)=
(F)=

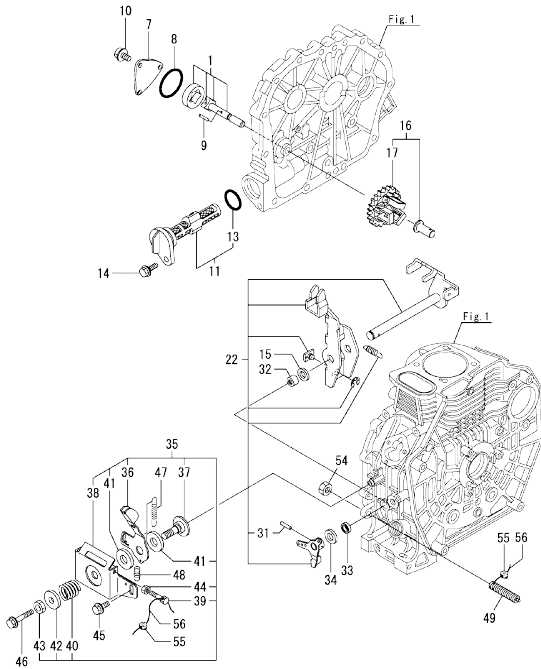
No.	Lev.	Parts No.	Description	Qty						I	R
				(A)	(B)	(C)	(D)	(E)	(F)		
1	1	71422C-14580	CAMSHAFT ASSY	1	1	1	1				
6	1	114210-14200	TAPPET	2	2	2	2				
7	1	114210-14300	TAPPET ASSY,ROLLER	1	1	1	1				
12	1	114210-14400	ROD ASSY, PUSH	2	2	2	2				
13	1	114210-21750	CRANKSHAFT ASSY	1	1						
14	1	114210-21780	CRANKSHAFT ASSY,E-DA			1	1				
23	1	114299-21220	NUT	1	1	1	1				
24	1	114299-21550	WASHER	1	1	1	1				
25	1	114399-21420	FLYWHEEL	1	1						
27	1	114399-21590	FLYWHEEL ASSY		1	1	1				
30	2	114399-21600	GEAR, RING		1	1	1				
31	1	22512-040120	KEY, 4X 12	1	1	1	1				
32	1	714220-22720	PISTON W/RINGS (D)	1	1	1	1				
34	2	714870-22502	RING SET, PISTON	1	1	1	1				
40	1	114399-22300	PIN, PISTON D=21	1	1	1	1				
41	1	22252-000210	RING, 21	2	2	2	2				
42	1	71421C-23010	ROD ASSY, CONNECTING	1	1	1	1				
45	3	114380-23100	BEARING, PISTON PIN	1	1	1	1				
46	3	118200-23200	BOLT, CONNECTING ROD	2	2	2	2				
47	2	114210-23600	BEARING, CRANK PIN	1	1	1	1				
49	1	714210-28510	SHAFT ASSY, BALANCER	1	1	1	1				
54	1	114210-28050	BEARING, 6203 COL	2	2	2	2				
55	1	714220-22620	PISTON W/RING 25OS	1	1	1	1				1
57	2	714870-22542	RING SET, 0.25 OS	1	1	1	1				1
61	1	714220-22580	PISTON W/RING 50OS	1	1	1	1				2
63	2	714870-22552	RING SET, 0.50 OS	1	1	1	1				2
67	1	114210-23610	BEARING,PIN(U.S.=0.25	1	1	1	1				3
69	1	114210-23620	BEARING,PIN(U.S.=0.50	1	1	1	1				4

Remarks

- (1)Over sized(O.S.=0.25)parts.
- (2)Over sized(O.S.=0.50)parts.
- (3)Under sized(U.S.=0.25)parts.
- (4)Under sized(U.S.=0.50)parts.

Fig.5. LUB.OIL PUMP & GOVERNOR

(A)=L70N5-PTMYI (D)=L70N5-PEATMYI
 (B)=L70N5-PETMYI (E)=
 (C)=L70N5-PATMYI (F)=



No.	Lev.	Parts No.	Description	Qty						I	R
				(A)	(B)	(C)	(D)	(E)	(F)		
1	1	114250-32010	PUMP ASSY, OIL	1	1	1	1				
7	1	114299-32070	COVER	1	1	1	1				
8	1	114299-32570	O-RING	1	1	1	1				
9	1	22312-030160	PIN, PARALLEL M3X16	1	1	1	1				
10	1	26106-060122	BOLT, M6X 12 PLATED	3	3	3	3				
11	1	114299-35110	FILTER ASSY, OIL	1	1	1	1				
13	2	24341-000224	O-RING, 1AS22.4	1	1	1	1				
14	1	26106-060162	BOLT, M6X 16 PLATED	1	1	1	1				
15	1	114299-61190	WASHER	1	1	1	1				
16	1	714210-61701	GOVERNOR ASSY	1	1	1	1				
17	2	114210-61290	WEIGHT ASSY, GOVERNOR	1	1	1	1				
22	1	114211-61500	LEVER ASSY, GOVERNOR	1	1	1	1				1
31	2	22322-030200	PIN, TAPER 3X20	1	1	1	1				
32	1	114770-61520	BEARING, NEEDLE	2	2	2	2				
33	1	114299-61600	SEAL, OIL	1	1	1	1				
34	1	114770-61610	WASHER, THRUST	1	1	1	1				
35	1	114210-66550	BRACKET ASSY	1	1	1	1				
36	2	114210-66070	HANDLE, REGULATOR	1	1	1	1				
37	2	183250-66070	SHAFT, HANDLE	1	1	1	1				
38	2	114210-66400	BRACKET, HANDLE	1	1	1	1				
39	2	114250-66440	BOLT, ADJUSTING	1	1	1	1				
40	2	104200-66820	SPRING	1	1	1	1				
41	2	104200-66831	PLATE, FRICTION	2	2	2	2				
42	2	104200-66850	WASHER	1	1	1	1				
43	2	26696-100002	NUT, LOCK M10	1	1	1	1				
44	2	26757-060002	NUT, LOCK M6	1	1	1	1				
45	1	26106-060142	BOLT, M6X 14 PLATED	1	1	1	1				
46	1	26106-060452	BOLT, M6X 45 PLATED	1	1	1	1				
47	1	114220-66010	SPRING, REGULATOR	1	1	1	1				
48	1	114299-66200	SPRING, RETURN	1	1	1	1				
49	1	114211-66600	LIMITER ASSY, FUEL	1	1	1	1				
54	1	26776-100002	NUT, LOCK M10	1	1	1	1				
55	1	114780-61090	TIN	2	2	2	2				
56	1	22451-060000	WIRE, 0.6	2	2	2	2				

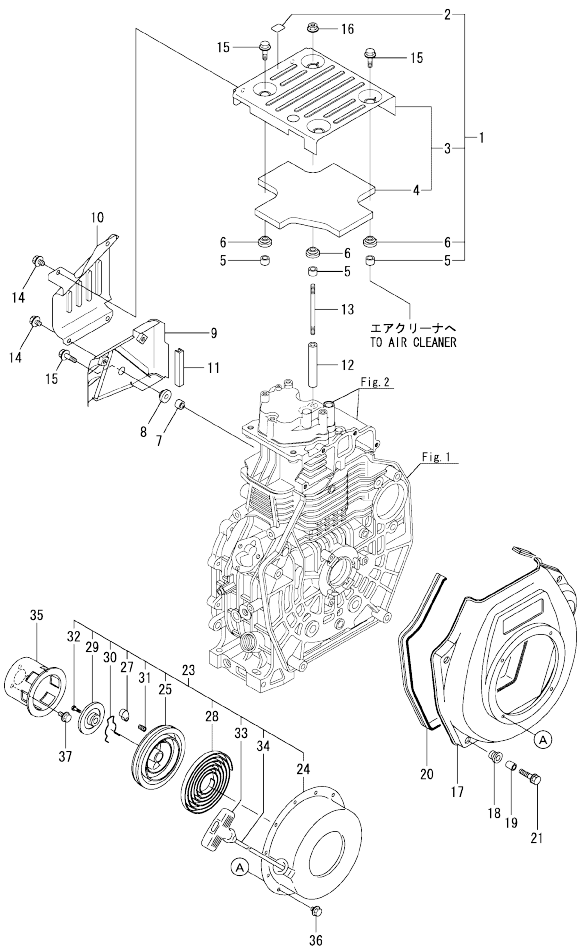
Remarks
 (1)On a guarantee of quality component parts shall not be sold.

0CW10-M65400 L70N5-PTMYI/PETMYI/PATMYI/PEATMYI
 Fig.6. COOLING & STARTING DEVICE

0CW10-M65400 Fig.6

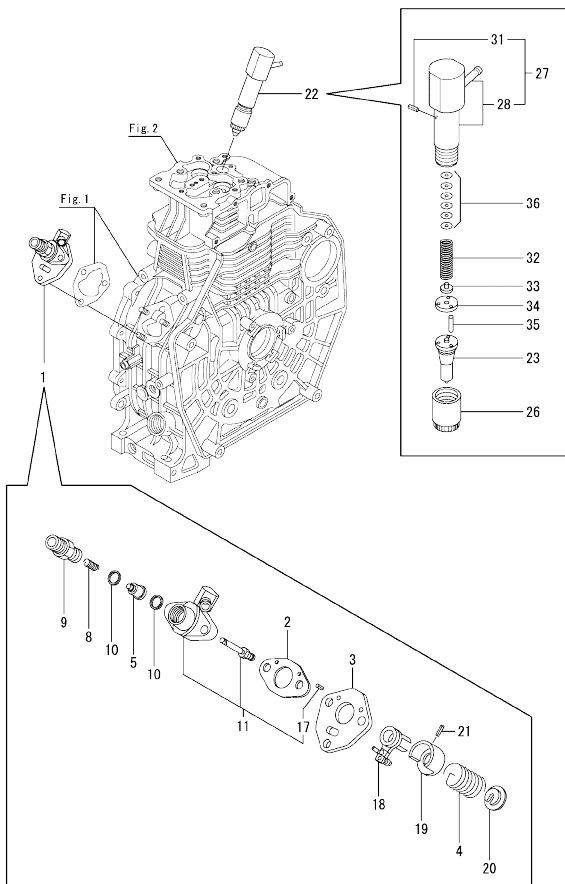
(A)=L70N5-PTMYI
 (B)=L70N5-PETMYI
 (C)=L70N5-PATMYI

(D)=L70N5-PEATMYI
 (E)=
 (F)=



No.	Lev.	Parts No.	Description	Qty						I	R
				(A)	(B)	(C)	(D)	(E)	(F)		
1	1	11422C-45200	TOP COVER ASSY	1	1	1	1				
2	2	114220-07120	LABEL, DECOMPRESSION	1	1	1	1				
3	2	11421C-45300	COVER	1	1	1	1				
4	3	11421C-45310	INSULATOR, NOISE	1	1	1	1				
5	2	114350-45340	COLLAR	4	4	4	4				
6	2	183720-55210	GROMMET	4	4	4	4				
7	1	114399-45340	COLLAR	1	1	1	1				
8	1	114299-45220	GROMMET	1	1	1	1				
9	1	11421C-45260	COVER	1	1	1	1				
10	1	11421C-45270	COVER	1	1	1	1				
11	1	114399-45320	RUBBER, SEAL	1	1	1	1				
12	1	114210-45350	SPACER, TOP COVER	1	1	1	1				
13	1	114210-45360	STUD BOLT, TOP COVER	1	1	1	1				
14	1	26106-060082	BOLT, M6X 8 PLATED	4	4	4	4				
15	1	26106-060202	BOLT, M6X 20 PLATED	4	4	4	4				
16	1	26366-060002	NUT, M6	1	1	1	1				
17	1	11421C-45100	CASE, COOLING FAN	1	1	1	1				
18	1	114299-45301	RUBBER, CUSHION	4	4	4	4				
19	1	114299-45310	COLLAR	4	4	4	4				
20	1	114299-45331	SEAL, FAN CASE	1	1	1	1				
21	1	114299-45350	BOLT, FAN CASE	4	4	4	4				
23	1	114399-76251	RECOIL STARTER(D)ASY	1	1	1	1				
24	2	114399-76510	CASE, STARTER	1	1	1	1				
25	2	114399-76521	REEL, RECOIL	1	1	1	1				
27	2	114399-76531	RATCHET	1	1	1	1				
28	2	114399-76540	SPRING, SPIRAL	1	1	1	1				
29	2	114399-76550	COVER	1	1	1	1				
30	2	114399-76560	SPRING	1	1	1	1				
31	2	114399-76570	SPRING, RETURN	1	1	1	1				
32	2	114399-76580	SCREW	1	1	1	1				
33	2	114399-76620	KNOB, STARTER	1	1	1	1				
34	2	114399-76630	ROPE, STARTER	1	1	1	1				
35	1	114399-76590	PULLEY, STARTER	1	1	1	1				
36	1	26106-060082	BOLT, M6X 8 PLATED	4	4	4	4				
37	1	26106-060122	BOLT, M6X 12 PLATED	3	3	3	3				

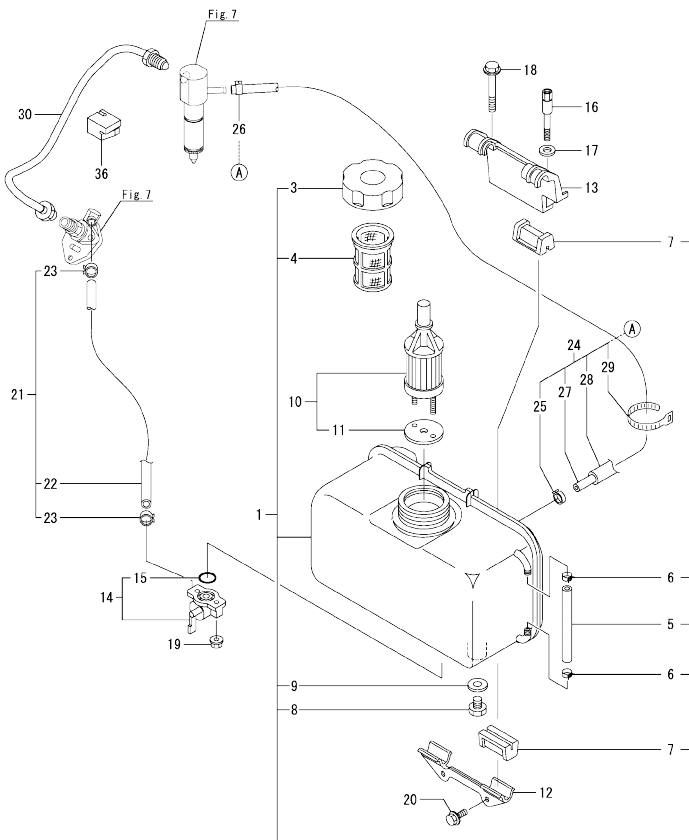
Fig.7. FUEL INJECTION PUMP & FUEL INJECTION VALVE



(A)=L70N5-PTMYI
(B)=L70N5-PETMYI
(C)=L70N5-PATMYI
(D)=L70N5-PEATMYI
(E)=
(F)=

No.	Lev.	Parts No.	Description	Q'ty						I	R
				(A)	(B)	(C)	(D)	(E)	(F)		
1	1	714239-51410	PUMP ASSY, INJECTION	1	1	1	1				
2	2	105546-51020	GASKET	1	1	1	1				
3	2	114250-51080	PLATE	1	1	1	1				
4	2	114250-51160	SPRING, PLUNGER	1	1	1	1				
5	2	114650-51300	VALVE ASSY, DELIVERY	1	1	1	1				
8	2	105546-51330	SPRING, DELIVERY	1	1	1	1				
9	2	114250-51340	HOLDER, DELIVERY	1	1	1	1				
10	2	124550-51350	GASKET, DELIVERY	2	2	2	2				
11	2	114239-51400	BODY ASSY, PUMP	1	1	1	1				
17	4	22351-020006	PIN, SPRING 2.0X 6	2	2	2	2				
18	2	114250-51600	LEVER ASSY, CONTROL	1	1	1	1				
19	2	114250-51640	SEAT, SPRING A	1	1	1	1				
20	2	114250-51650	SEAT, SPRING B	1	1	1	1				
21	2	22351-030008	PIN, SPRING 3.0X 8	1	1	1	1				
22	1	714239-53100	VALVE ASSY, INJECTION	1	1	1	1				
23	2	114239-53050	VALVE ASSY, INJECTION	1	1	1	1				
26	2	114250-53080	NUT, NOZZLE D16.95	1	1	1	1				
27	2	114339-53100	HOLDER ASSY, NOZZLE	1	1	1	1				
28	3	114339-53130	HOLDER SUB ASSY	1	1	1	1				
31	3	22351-025005	PIN, SPRING 2.5X 6	1	1	1	1				
32	2	114250-53120	SPRING, NOZZLE	1	1	1	1				
33	2	114250-53130	SEAT, SPRING	1	1	1	1				
34	2	114250-53140	PLATE	1	1	1	1				
35	2	114250-53210	PIN	2	2	2	2				
36	2	114250-53400	SHIM SET	1	1	1	1				

Fig.8. FUEL TANK & FUEL PIPE

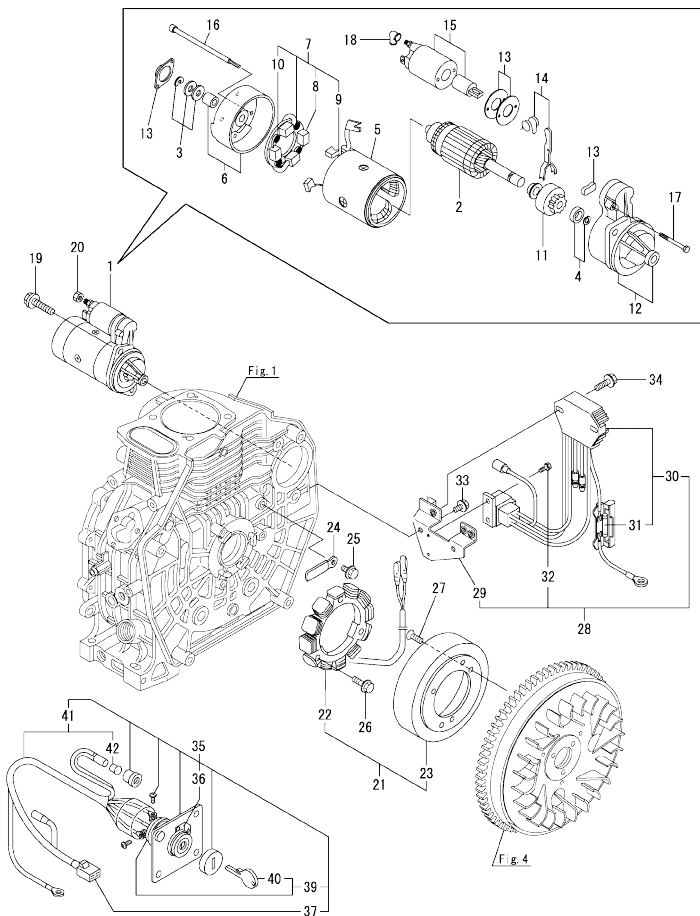


(A)=L70N5-PTMYI (D)=L70N5-PEATMYI
 (B)=L70N5-PETMYI (E)=
 (C)=L70N5-PATMYI (F)=

No.	Lev.	Parts No.	Description	Qty						I	R
				(A)	(B)	(C)	(D)	(E)	(F)		
1	1	11421C-55730	TANK ASSY, FUEL	1	1	1	1				
3	2	114299-55040	CAP ASSY, FUEL TANK	1	1	1	1				
4	2	114299-55100	ELEMENT, FUEL FILTER	1	1	1	1				
5	2	114239-55150	GAUGE, OIL LEVEL	1	1	1	1				
6	2	23080-007000	CLAMP, 7	2	2	2	2				
7	2	114250-55201	DAMPER, FUEL TANK	4	4	4	4				
8	2	114299-55080	PLUG, DRAIN	1	1	1	1				
9	2	23414-080000	GASKET, 8X1.0	1	1	1	1				
10	1	114250-55121	FILTER ASSY, FUEL	1	1	1	1				
11	2	114250-55130	GASKET	1	1	1	1				
12	1	114210-55210	STAY, FUEL TANK A	1	1	1	1				
13	1	114210-55230	STAY, FUEL TANK B	1	1	1	1				
14	1	114250-55301	COCK ASSY, FUEL	1	1	1	1				
15	2	24341-000150	O-RING, 1AS15.0	1	1	1	1				
16	1	114210-55810	BOLT, LIFTING	1	1	1	1				
17	1	22117-080000	WASHER, 8	1	1	1	1				
18	1	26106-080452	BOLT, M8X 45 PLATED	1	1	1	1				
19	1	26366-060002	NUT, M6	2	2	2	2				
20	1	26106-060162	BOLT, M6X 16 PLATED	2	2	2	2				
21	1	114780-59010	PIPE ASSY, FUEL L50	1	1	1	1				
22	2	114780-59060	PIPE, FUEL L=50	1	1	1	1				
23	2	23080-014000	CLAMP, 14	2	2	2	2				
24	1	114239-59300	PIPE ASSY, RETURN	1	1	1	1				
24-1	1	114239-59301	PIPE ASSY, FO RETURN	1	1	1	1				N
(A=*2019.03) (B=ES55075) (C=*2019.03) (D=ES55035)											
25	2	124722-59050	CLAMP, HOSE 9	1	1	1	1				
26	2	124066-59100	CLAMP, HOSE 8	1	1	1	1				
27	2	114650-59060	PIPE, FUEL RETURN	1	1	1	1				
27-1	2	114650-59061	PIPE, FO RETURN	1	1	1	1				N
(A=*2019.03) (B=ES55075) (C=*2019.03) (D=ES55035)											
28	2	114652-59310	TUBE, PROTECT	1	1	1	1				
29	2	121750-59890	BAND, NYLON	1	1	1	1				
30	1	114210-59800	PIPE ASSY, INJECTION	1	1	1	1				
36	1	114210-59850	SUPPORT, PIPE	1	1	1	1				

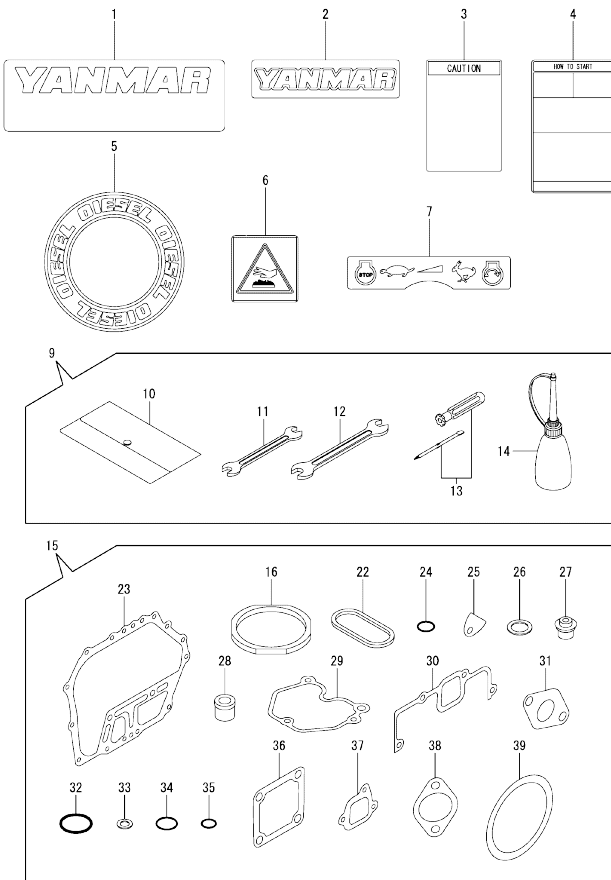
Fig.9. STARTING MOTOR & DYNAMO

(A)=L70N5-PTMYI (D)=L70N5-PEATMYI
 (B)=L70N5-PETMYI (E)=
 (C)=L70N5-PATMYI (F)=



No.	Lev.	Parts No.	Description	Q'ty						I	R
				(A)	(B)	(C)	(D)	(E)	(F)		
1	1	114382-77011	STARTER(HITACHI 12V	1							
2	2	114381-77110	ARMATURE	1							
3	2	X2114811000	WASHER KIT, THRUST	1							
4	2	X2114715500	STOPPER SET, PINION	1							
5	2	114381-77130	COIL ASSY, FIELD	1							
6	2	114381-77140	COVER, REAR	1							
7	2	114371-77160	HOLDER ASSY, BRUSH	1							
8	3	114371-79040	BRUSH (-)	2							
9	3	114371-79050	BRUSH (+)	1							
10	3	114371-79060	SPRING, BRUSH	4							
11	2	X211485016	PINION ASSY	1							
12	2	114381-77151	HOUSING ASSY, GEAR	1							
13	2	114371-77170	COVER KIT, DUST	1							
14	2	114371-77180	LEVER KIT, SHIFT	1							
15	2	124298-77020	SWITCH, MAGNETIC	1							
16	2	124195-77770	THROUGH BOLT	2							
17	2	114371-79070	BOLT M 6X 37	2							
18	2	X2114274200	COVER, TERMINAL	1							
19	1	26106-100302	BOLT, M10X 30 PLATED	2							
20	1	26716-080002	NUT, M8	1							
21	1	114399-78280	DINAMO ASSY, 15A	1							
22	2	114399-78770	STATOR ASSY	1							
23	2	114399-78780	WHEEL, DYNAMO	1							
24	1	160710-78710	CLAMP, CORD	1							
25	1	26106-060122	BOLT, M6X 12 PLATED	1							
26	1	26106-060202	BOLT, M6X 20 PLATED	3							
27	1	26577-060142	SCREW M 6X 14	3							
28	1	114399-77560	REG. & HARNESS ASSY	1							
29	2	114399-77410	BRACKET, HARNESS	1							
30	2	114399-77720	FUSE (20A), CARTRIDGE	1							
31	3	114399-78000	FUSE(20A	1							
32	2	26023-040102	SCREW, M4X10	2							
33	1	26106-060122	BOLT, M6X 12 PLATED	2							
34	1	26106-060202	BOLT, M6X 20 PLATED	2							
35	1	114220-77500	PANEL ASSY, SWITCH	1							
36	2	114220-07170	LABEL, START SWITCH	1							
37	2	114351-77520	COUPLER	1							
39	2	106100-77620	SWITCH, KEY	1							
40	3	106100-77630	KEY, SWITCH	1							
41	2	114351-77700	HARNESS, WIRE	1							
42	3	29220-083200	BULB, 12V 3.4W	1							

Fig.10. TOOL,LABEL & GASKET SET



(A)=L70N5-PTMYI
(B)=L70N5-PETMYI
(C)=L70N5-PATMYI

(D)=L70N5-PEATMYI
(E)=
(F)=

No.	Lev.	Parts No.	Description	Qty						I	R
				(A)	(B)	(C)	(D)	(E)	(F)		
1	1	114299-07100	LABEL, AIR COOLED	1	1	1	1				
2	1	114299-07110	LABEL, YANMAR	1	1	1	1				
3	1	114220-07100	LABEL, CAUTION	1	1	1	1				
4	1	114220-07110	LABEL HOW TO START-E	1	1	1	1				
5	1	114299-07160	LABEL, DIESEL	1	1	1	1				
6	1	114220-07130	LABEL, HOT SURFACE	1	1	1	1				
7	1	114220-07140	LABEL, CONTROL	1	1	1	1				
9	1	114299-92590	BOX, TOOL	1	1	1	1				
10	2	114299-92600	BAG, TOOL	1	1	1	1				
11	2	114299-92710	WRENCH	1	1	1	1				
12	2	114299-92720	WRENCH	1	1	1	1				
13	2	114299-92730	DRIVER	1	1	1	1				
14	2	114299-92740	DIPSTICK	1	1	1	1				
15	1	114220-92600	GASKET SET	1	1	1	1				1
16	2	114395-01331	GASKET, HEAD	1	1	1	1				
22	2	114399-01380	O-RING	1	1	1	1				
23	2	114399-01410	GASKET, CRANK CASE	1	1	1	1				
24	2	114299-01950	O-RING, 18	2	2	2	2				
25	2	114250-01841	GASKET	1	1	1	1				
26	2	22190-160002	WASHER, SEAL 16	2	2	2	2				
27	2	114350-11340	SEAL, VALVE STEM	2	2	2	2				
28	2	114771-11461	GASKET, NOZZLE	1	1	1	1				
29	2	114210-11310	GASKET, BONNET	1	1	1	1				
30	2	114210-12210	GASKET, AIR CLEANER	1	1	1	1				
31	2	114299-13200	GASKET, MUFFLER	1	1	1	1				
32	2	114299-32570	O-RING	1	1	1	1				
33	2	23414-080000	GASKET, 8X1.0	1	1	1	1				
34	2	24341-000224	O-RING, 1AS22.4	1	1	1	1				
35	2	24341-000150	O-RING, 1AS15.0	1	1	1	1				
36	2	129100-77510	GASKET, AIR HEATER	3	3	3	3				
37	2	114299-12210	GASKET, AIR CLEANER	2	2	2	2				
38	2	114299-12920	GASKET, AIR CLEANER	1	1	1	1				
39	2	114399-21980	GASKET	1	1	1	1				

Remarks

(1)Optional parts.

Parts No. Index

Parts No.	Fig. No.	Ref. No.
104200-66820	5	40
104200-66831	5	41
104200-66850	5	42
105010-11490	2	28
105546-51020	7	2
105546-51330	7	8
106100-77620	9	39
106100-77630	9	40
114210-01020	1	1
114210-01200	2	1
114210-01210	2	2
114210-01450	1	27
114210-01470	1	28
114210-03590	2	38
114210-11120	2	10
114210-11180	2	11
114210-11310	2	35
	10	29
114210-11901	2	30
114210-11930	2	12
114210-11950	2	36
114210-12010	3	2
114210-12210	3	15
	10	30
114210-12560	3	9
114210-12590	3	10
114210-12600	3	13
114210-14200	4	6
114210-14300	4	7
114210-14400	4	12
114210-21750	4	13
114210-21780	4	14
114210-23600	4	47
114210-23610	4	67
114210-23620	4	69
114210-28050	4	54
114210-45350	6	12
114210-45360	6	13
114210-55210	8	12
114210-55230	8	13
114210-55810	8	16
114210-59800	8	30
114210-59850	8	36
114210-61290	5	17
114210-66070	5	36
114210-66400	5	38
114210-66550	5	35
114211-61500	5	22
114211-66600	5	49
11421C-11100	2	8

Parts No.	Fig. No.	Ref. No.
11421C-11110	2	9
11421C-11250	2	14
11421C-11260	2	15
11421C-11650	2	17
11421C-11660	2	21
11421C-13500	3	19
11421C-45100	6	17
11421C-45260	6	9
11421C-45270	6	10
11421C-45300	6	3
11421C-45310	6	4
11421C-55730	8	1
114220-07100	10	3
114220-07110	10	4
114220-07120	6	2
114220-07130	10	6
114220-07140	10	7
114220-07170	9	36
114220-12500	3	6
114220-12550	3	1
114220-66010	5	47
114220-77500	9	35
114220-92600	10	15
11422C-11020	2	3
11422C-45200	6	1
114239-51400	7	11
114239-53050	7	23
114239-55150	8	5
114239-59300	8	24
114239-59301	8	24 -1
114250-01841	1	19
	10	25
114250-11240	2	19
		23
114250-32010	5	1
114250-51080	7	3
114250-51160	7	4
114250-51340	7	9
114250-51600	7	18
114250-51640	7	19
114250-51650	7	20
114250-53080	7	26
114250-53120	7	32
114250-53130	7	33
114250-53140	7	34
114250-53210	7	35
114250-53400	7	36
114250-55121	8	10
114250-55130	8	11
114250-55201	8	7

Parts No.	Fig. No.	Ref. No.
114250-55301	8	14
114250-66440	5	39
114299-01600	1	22
114299-01690	1	35
114299-01800	1	7
114299-01830	1	18
114299-01950	1	38
	10	24
114299-02030	1	42
114299-03640	2	41
114299-07100	10	1
114299-07110	10	2
114299-07160	10	5
114299-11600	2	29
114299-12210	10	37
114299-12300	3	14
114299-12920	10	38
114299-13200	3	18
	10	31
114299-13800	3	28
114299-21220	4	23
114299-21550	4	24
114299-32070	5	7
114299-32570	5	8
	10	32
114299-35110	5	11
114299-35150	1	33
114299-45220	6	8
114299-45301	6	18
114299-45310	6	19
114299-45331	6	20
114299-45350	6	21
114299-55040	8	3
114299-55080	8	8
114299-55100	8	4
114299-61190	5	15
114299-61600	5	33
114299-66200	5	48
114299-92590	10	9
114299-92600	10	10
114299-92710	10	11
114299-92720	10	12
114299-92730	10	13
114299-92740	10	14
114339-11451	2	26
114339-11551	2	27
114339-53100	7	27
114339-53130	7	28
114350-02100	1	31
114350-02113	1	43

Parts No.	Fig. No.	Ref. No.
114350-02200	1	49
114350-02210	1	50
114350-11340	2	25
	10	27
114350-45340	6	5
114351-77520	9	37
114351-77700	9	41
114362-77011	9	1
114371-77160	9	7
114371-77170	9	13
114371-77180	9	14
114371-79040	9	8
114371-79050	9	9
114371-79060	9	10
114371-79070	9	17
114380-23100	4	45
114381-77110	9	2
114381-77130	9	5
114381-77140	9	6
114381-77151	9	12
114395-01331	10	16
114395-01341	1	5
114399-01380	1	6
	10	22
114399-01410	1	26
	10	23
114399-01700	1	40
114399-21420	4	25
114399-21590	4	27
114399-21600	4	30
114399-21980	10	39
114399-22300	4	40
114399-45320	6	11
114399-45340	6	7
114399-76251	6	23
114399-76510	6	24
114399-76521	6	25
114399-76531	6	27
114399-76540	6	28
114399-76550	6	29
114399-76560	6	30
114399-76570	6	31
114399-76580	6	32
114399-76590	6	35
114399-76620	6	33
114399-76630	6	34
114399-77410	9	29
114399-77560	9	28
114399-77720	9	30
114399-78000	9	31

Parts No. Index

Parts No.	Fig. No.	Ref. No.
114399-78280	9	21
114399-78770	9	22
114399-78780	9	23
114650-51300	7	5
114650-59060	8	27
114650-59061	8	27 -1
114652-59310	8	28
114699-01760	1	36
114770-61520	5	32
114770-61610	5	34
114771-11461	10	28
114780-59010	8	21
114780-59060	8	22
114780-61090	5	55
118200-23200	4	46
121750-59890	8	29
124066-59100	8	26
124195-77770	9	16
124298-77020	9	15
124550-51350	7	10
124722-59050	8	25
129100-77510	10	36
160110-02220	1	44
		45
160210-02220	1	46
160710-78710	9	24
183250-66070	5	37
183720-55210	6	6
22117-080000	8	17
22190-160002	1	39
	10	26
22242-000120	2	16
22252-000210	4	41
22312-030160	2	43
	5	9
22312-040080	1	20
22322-030200	5	31
22351-020006	7	17
22351-025005	7	31
22351-030008	7	21
22351-040008	2	31
22451-060000	5	56
22512-040120	4	31
23080-007000	8	6
23080-014000	8	23
23414-080000	8	9
	10	33
23875-020000	1	21
23876-010000	1	51
24162-152116	1	47

Parts No.	Fig. No.	Ref. No.
24341-000150	8	15
	10	35
24341-000224	5	13
	10	34
26023-040102	9	32
26106-060082	6	14
		36
26106-060122	5	10
	6	37
	9	25
		33
26106-060142	3	25
	5	45
26106-060162	5	14
	8	20
26106-060202	3	16
	6	15
	9	26
		34
26106-060402	2	32
26106-060452	5	46
26106-060552	2	46
26106-080122	1	48
26106-080352	1	34
26106-080452	8	18
26106-100122	1	41
26106-100302	9	19
26216-080182	3	26
26226-060182	1	23
26226-060222	1	24
26226-060302	3	17
26226-060552	2	33
26366-060002	1	25
	2	34
	6	16
	8	19
26366-080002	3	27
26577-060142	9	27
26696-100002	5	43
26716-080002	9	20
26757-060002	5	44
26776-100002	5	54
26856-060002	2	20
		24
29220-083200	9	42
714210-28510	4	49
714210-61701	5	16
71421C-23010	4	42
714220-22580	4	61
714220-22620	4	55

Parts No.	Fig. No.	Ref. No.
714220-22720	4	32
71422C-14580	4	1
714239-51410	7	1
714239-53100	7	22
714870-22502	4	34
714870-22542	4	57
714870-22552	4	63
X2114274200	9	18
X2114715500	9	4
X2114811000	9	3
X211485016	9	11

Parts No.	Fig. No.	Ref. No.
-----------	----------	----------