

0CD11-M15102EN

# P R E F A C E

This parts catalog is the 3rd edition of L70N6-MMA2, L70N6-MEMA2, L70N6-PEAMA2 and L70N6-PAMA for MATSUSAKA ENGINEERING CO., LTD.

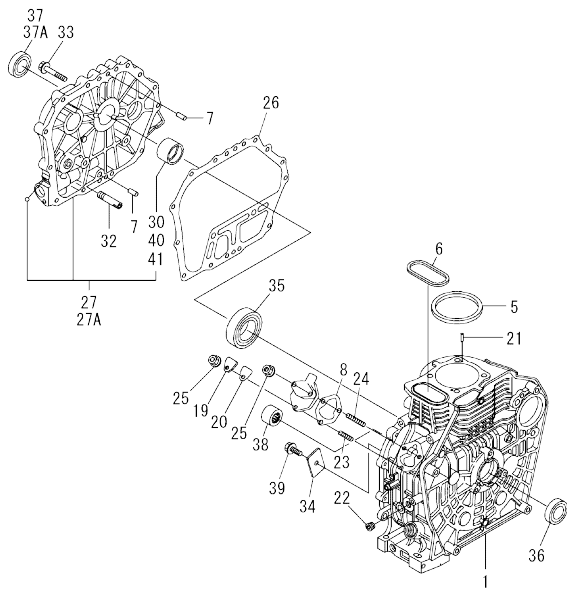
Published : March, 2014

## Contents

OCD11-M15102

Fig. No.	Fig. Name	Fig. No.	Fig. Name
L70N6-MMA2/MEMA2/PEAMA2/PAMA		23.	DYNAMO
1.	CYLINDER BLOCK	24.	TOOL & GASKET SET
2.	DRAIN PLUG		
3.	LABEL		
4.	CYLINDER HEAD & BONNET		
5.	AIR CLEANER		
6.	EXHAUST MUFFLER		
7.	CAMSHAFT		
8.	CRANKSHAFT		
9.	FLYWHEEL		
10.	PISTON & CONNECTING ROD		
11.	BALANCER SHAFT		
12.	LUB.OIL PUMP & GOVERNOR		
13.	OIL PRESSURE SWITCH CAP		
14.	COVER		
15.	COOLING FAN CASE		
16.	FUEL INJECTION PUMP & FUEL INJECTION VALVE		
17.	FUEL TANK & FUEL PIPE		
18.	SPEED CONTROL DEVICE		
25.	(18A)SPEED CONTROL DEVICE		
19.	RECOIL STARTER		
20.	STARTING MOTOR		
21.	ELECTRICAL EQUIPMENT		
26.	(21A)ELECTRICAL EQUIPMENT		
22.	KEY SWITCH		

Fig.1. CYLINDER BLOCK



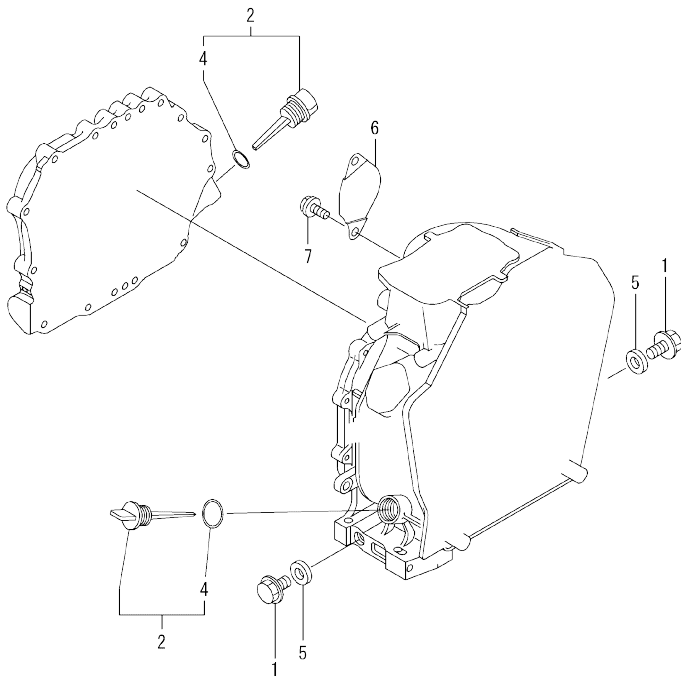
(A)=L70N6-MMA2  
(B)=L70N6-MEMA2  
(C)=L70N6-PEAMA2  
(D)=L70N6-PAMA  
(E)=  
(F)=

No.	Lev.	Parts No.	Description	Q'ty						I	R
				(A)	(B)	(C)	(D)	(E)	(F)		
1	1	114210-01020	BLOCK ASSY, CYLINDER	1	1	1	1				
5	1	114395-01341	GASKET, HEAD 0.5	1	1	1	1				
6	1	114399-01380	O-RING	1	1	1	1				
7	1	114299-01600	PIN, 8X12	2	2	2	2				
8	1	114299-01800	SHIM SET	1	1	1	1				
19	1	114299-01830	COVER	1	1	1	1				
20	1	114250-01841	GASKET	1	1	1	1				
21	1	22312-040080	PIN, PARALLEL M4X 8	2	2	2	2				
22	1	23875-020000	PLUG, R02	1	1	1	1				
23	1	26226-060182	STUD, M6X 18	1	1	1	1				
24	1	26226-060222	STUD, M6X 22	2	2	2	2				
25	1	26366-060002	NUT, M6	3	3	3	3				
26	1	114399-01410	GASKET, CRANK CASE	1	1	1	1				
27	1	114210-01450	COVER(E-D,CRANK CASE	1	1						
27A	1	114210-01470	COVER, CRANK CASE			1	1				
30	2	114350-02100	BEARING, MAIN	1	1	1	1	3			1
32	1	114299-35150	PIPE, OIL INLET	1	1	1	1				
33	1	26106-080352	BOLT, M8X 35 PLATED	15	15	15	15				
34	1	114299-02030	RETAINER, BEARING	1	1	1	1				
35	1	114350-02113	BEARING, B35-135G3C3	1	1	1	1				
36	1	160110-02220	SEAL, OIL	1	1	1	1				
37	1	160110-02220	SEAL, OIL	1	1						
37A	1	160210-02220	SEAL, 25X41.2X8			1	1				
38	1	24162-152116	BEARING, 152116	1	1	1	1				
39	1	26106-080122	BOLT, M8X 12 PLATED	1	1	1	1				
40	1	114350-02200	BEARING, 0.25 US	1	1	1	1				2
41	1	114350-02210	BEARING, 0.50 US	1	1	1	1				3

Remarks

- (1)Spare parts.
- (2)Under sized(U.S.=0.25)parts.
- (3)Under sized(U.S.=0.50)parts.

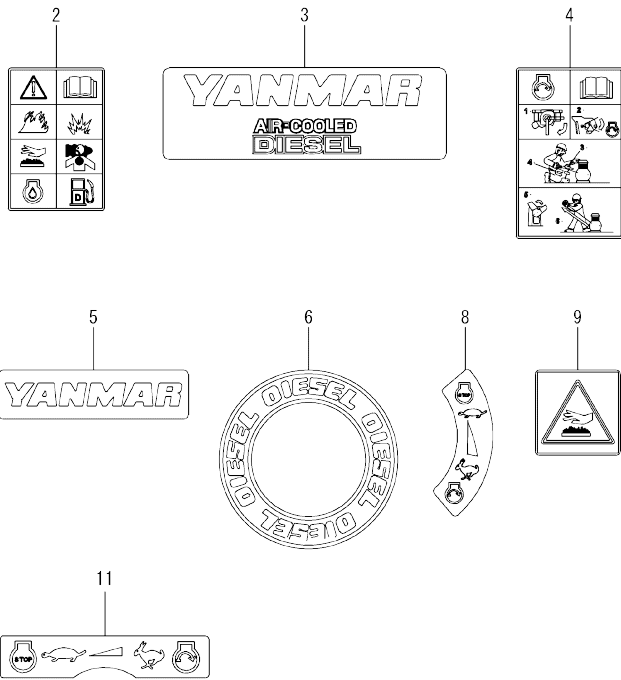
Fig.2. DRAIN PLUG



(A)=L70N6-MMA2  
 (B)=L70N6-MEMA2  
 (C)=L70N6-PEAMA2  
 (D)=L70N6-PAMA  
 (E)=  
 (F)=

No.	Lev.	Parts No.	Description	Q'ty						I	R
				(A)	(B)	(C)	(D)	(E)	(F)		
1	1	114299-01690	PLUG M16	2	2	2	2				
2	1	114699-01760	CAP ASSY	2	2	2	2				
4	2	114299-01950	O-RING, 18	2	2	2	2				
5	1	22190-160002	WASHER, SEAL 16	2	2	2	2				
6	1	114399-01700	COVER, STARTER	1			1				
7	1	26106-100122	BOLT, M10X 12 PLATED	2			2				

Fig.3. LABEL

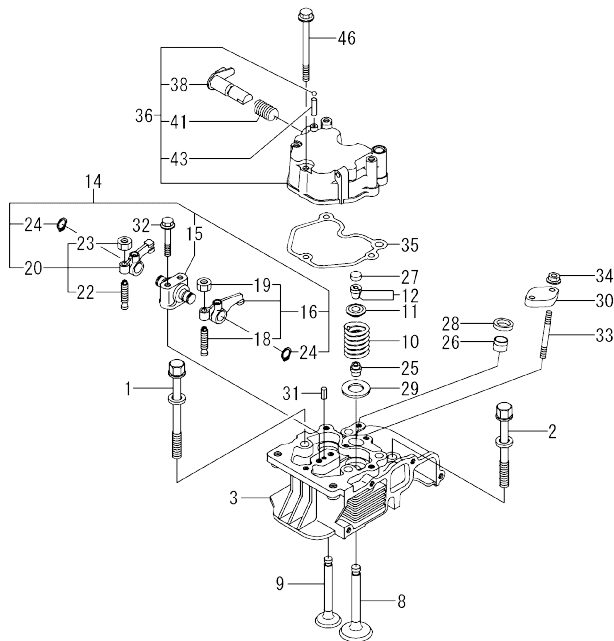


(A)=L70N6-MMA2  
(B)=L70N6-MEMA2  
(C)=L70N6-PEAMA2

(D)=L70N6-PAMA  
(E)=  
(F)=

No.	Lev.	Parts No.	Description	Q'ty						I	R
				(A)	(B)	(C)	(D)	(E)	(F)		
2	1	114220-07100	LABEL, CAUTION	1	1	1	1				
3	1	114299-07101	LABEL, YANMAR MARK A	1	1	1	1				
4	1	114220-07110	LABEL HOW TO START-E	1	1	1	1				
5	1	114299-07111	LABEL, YANMAR MARK B	1	1	1	1				
6	1	114299-07160	LABEL, DIESEL	1	1	1	1				
8	1	114220-07160	LABEL, THAI	1	1	1	1				
9	1	114220-07130	LABEL, HOT SURFACE	1	1	1	1				
11	1	114220-07140	LABEL, CONTROL			1					

Fig.4. CYLINDER HEAD & BONNET



(A)=L70N6-MMA2  
(B)=L70N6-MEMA2  
(C)=L70N6-PEAMA2

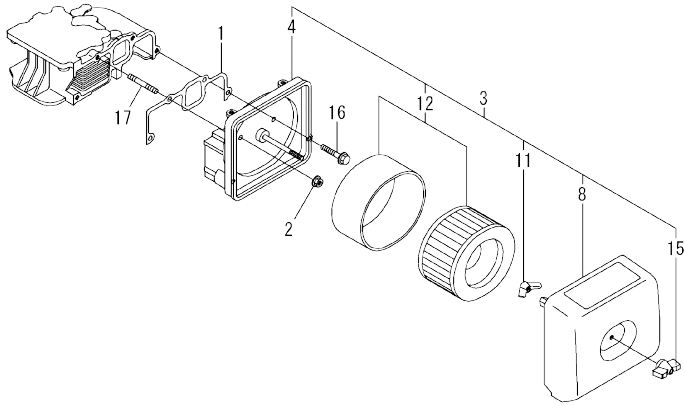
(D)=L70N6-PAMA  
(E)=  
(F)=

No.	Lev.	Parts No.	Description	Q'ty						I	R
				(A)	(B)	(C)	(D)	(E)	(F)		
1	1	114210-01200	BOLT, CYL HEAD A	2	2	2	2				
2	1	114210-01210	BOLT, CYL HEAD B	2	2	2	2				
3	1	11422C-11020	HEAD ASSY, CYLINDER	1	1	1	1				
8	1	11421C-11100	VALVE, INTAKE	1	1	1	1				
9	1	11421C-11110	VALVE, EXHAUST	1	1	1	1				
10	1	114210-11120	SPRING, VALVE	2	2	2	2				
11	1	114210-11180	RETAINER, SPRING	2	2	2	2				
12	1	114210-11930	COTTER ASSY	2	2	2	2				
14	1	11421C-11250	SUPPORT ASSY, ARM	1	1	1	1				
15	2	11421C-11260	SUPPORT, ROCKER ARM	1	1	1	1				
16	2	11421C-11650	ARM ASSY, ROCKER	1	1	1	1				
18	3	114250-11240	SCREW, VALVE ADJUST	1	1	1	1				
19	3	26856-060002	NUT, M6	1	1	1	1				
20	2	11421C-11660	ARM ASSY, ROCKER	1	1	1	1				
22	3	114250-11240	SCREW, VALVE ADJUST	1	1	1	1				
23	3	26856-060002	NUT, M6	1	1	1	1				
24	2	22242-000120	RING, 12	2	2	2	2				
25	1	114350-11341	SEAL, VALVE STEM	2	2	2	2				
26	1	114339-11451	PROTECTOR, NOZZLE	1	1	1	1				
27	1	105010-11490	CAP, VALVE	2	2	2	2				
28	1	114339-11551	SEAT, NOZZLE	1	1	1	1				
29	1	114299-11600	WASHER, VALVE SPRING	2	2	2	2				
30	1	114210-11901	RETAINER, NOZZLE	1	1	1	1				
31	1	22351-040008	PIN, SPRING 4.0X 8	1	1	1	1				
32	1	26106-060402	BOLT, M6X 40 PLATED	2	2	2	2				
33	1	26226-060552	STUD, M6X 55	2	2	2	2				
34	1	26366-060002	NUT, M6	2	2	2	2				
35	1	114210-11310	GASKET, BONNET	1	1	1	1				
36	1	114210-11950	BONNET ASSY, HEAD	1	1	1	1				
38	2	114210-03590	DECOMPRESSION ASSY	1	1	1	1				
41	2	114299-03640	SPRING, DECOMPRESSION	1	1	1	1				
43	2	22312-030160	PIN, PARALLEL M3X16	1	1	1	1				
46	1	26106-060552	BOLT, M6X 55 PLATED	3	3	3	3				

Fig.5. AIR CLEANER

(A)=L70N6-MMA2  
 (B)=L70N6-MEMA2  
 (C)=L70N6-PEAMA2

(D)=L70N6-PAMA  
 (E)=  
 (F)=

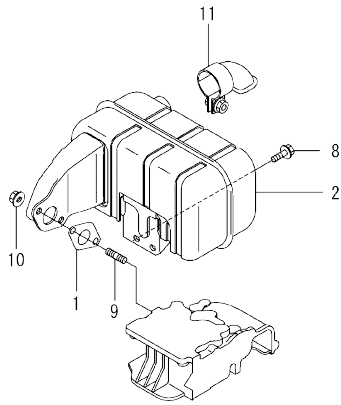


No.	Lev.	Parts No.	Description	Q'ty					
				(A)	(B)	(C)	(D)	(E)	(F)
1	1	114210-12210	GASKET, AIR CLEANER	1	1	1	1		
2	1	114299-12300	NUT	3	3	3	3		
3	1	114220-12550	CLEANER ASSY, AIR	1	1	1	1		
4	2	114210-12010	BODY ASSY, AIR CLNR	1	1	1	1		
8	2	114220-12500	COVER ASSY, AIR CLNR	1	1	1	1		
11	2	114210-12560	NUT, WING	1	1	1	1		
12	2	114210-12590	ELEMENT ASSY	1	1	1	1		
15	2	114210-12600	LOCKING KNOB	1	1	1	1		
16	1	26106-060202	BOLT, M6X 20 PLATED	1	1	1	1		
17	1	26226-060302	STUD, M6X 30	3	3	3	3		



Fig.6. EXHAUST MUFFLER

(A)=L70N6-MMA2  
 (B)=L70N6-MEMA2  
 (C)=L70N6-PEAMA2  
 (D)=L70N6-PAMA  
 (E)=  
 (F)=

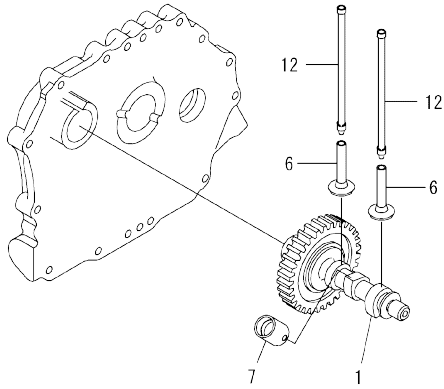


No.	Lev.	Parts No.	Description	Q'ty						I	R
				(A)	(B)	(C)	(D)	(E)	(F)		
1	1	114299-13200	GASKET, MUFFLER	1	1	1	1				
2	1	11421C-13500	MUFFLER ASSY	1	1	1	1				
8	1	26106-060142	BOLT, M6X 14 PLATED	2	2	2	2				
9	1	26216-080182	STUD, M8X 18	2	2	2	2				
10	1	26306-080002	NUT, M8	2	2	2	2				
11	1	114299-13800	EXTENSION ASSY	1	1	1	1				

Fig.7. CAMSHAFT

(A)=L70N6-MMA2  
 (B)=L70N6-MEMA2  
 (C)=L70N6-PEAMA2

(D)=L70N6-PAMA  
 (E)=  
 (F)=

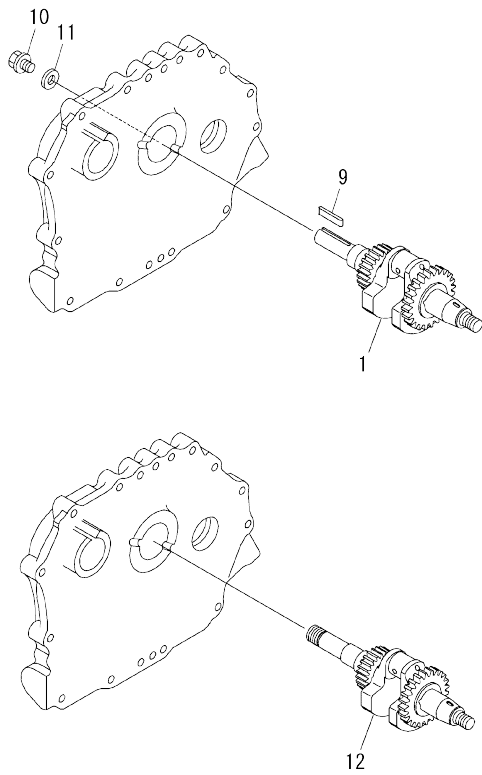


No.	Lev.	Parts No.	Description	Q'ty						I	R
				(A)	(B)	(C)	(D)	(E)	(F)		
1	1	11422C-14580	CAMSHAFT ASSY	1	1	1	1				
6	1	114210-14200	TAPPET	2	2	2	2				
7	1	114210-14300	TAPPET ASSY, ROLLER	1	1	1	1				
12	1	114210-14400	ROD ASSY, PUSH	2	2	2	2				

Fig.8. CRANKSHAFT

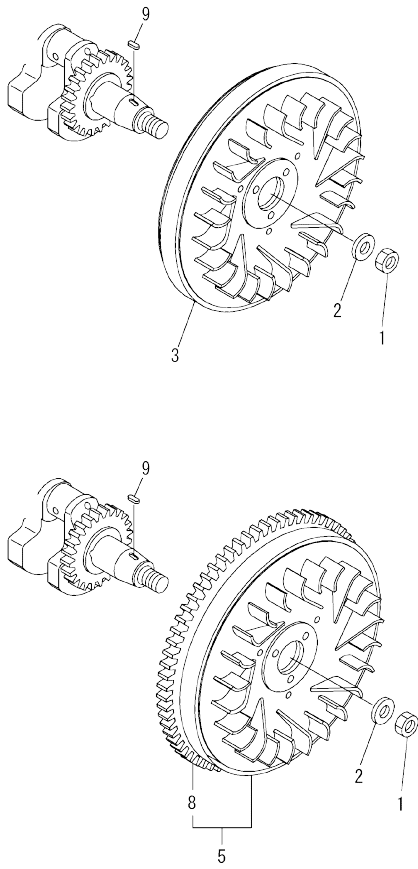
(A)=L70N6-MMA2  
 (B)=L70N6-MEMA2  
 (C)=L70N6-PEAMA2

(D)=L70N6-PAMA  
 (E)=  
 (F)=



No.	Lev.	Parts No.	Description	Q'ty					
				(A)	(B)	(C)	(D)	(E)	(F)
1	1	11421C-21830	CRANKSHAFT ASSY,E-D	1	1				
9	1	160842-21150	KEY, 6.3X50	1	1				
10	1	160842-21250	BOLT, 7/16-20UNF	1	1				
11	1	160842-21260	WASHER	1	1				
12	1	114210-21780	CRANKSHAFT ASSY,E-DA			1	1		

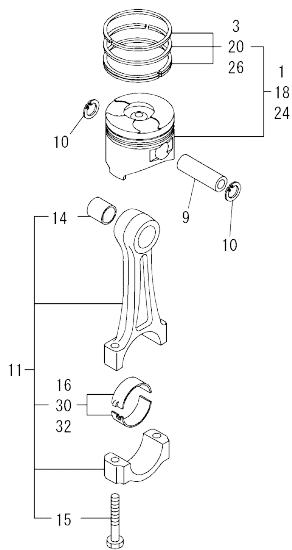
Fig.9. FLYWHEEL



(A)=L70N6-MMA2  
 (B)=L70N6-MEMA2  
 (C)=L70N6-PEAMA2  
 (D)=L70N6-PAMA  
 (E)=  
 (F)=

No.	Lev.	Parts No.	Description	Q'ty					
				(A)	(B)	(C)	(D)	(E)	(F)
1	1	114299-21220	NUT	1	1	1	1		
2	1	114299-21550	WASHER	1	1	1	1		
3	1	114399-21420	FLYWHEEL	1			1		
5	1	114399-21590	FLYWHEEL ASSY		1	1			
8	2	114399-21600	GEAR, RING		1	1			
9	1	22512-040120	KEY, 4X 12	1	1	1	1		

Fig.10. PISTON & CONNECTING ROD



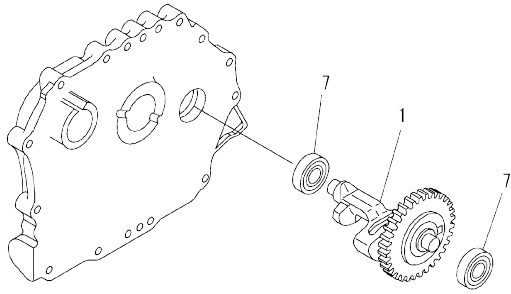
(A)=L70N6-MMA2 (D)=L70N6-PAMA  
 (B)=L70N6-MEMA2 (E)=  
 (C)=L70N6-PEAMA2 (F)=

No.	Lev.	Parts No.	Description	Q'ty						I	R
				(A)	(B)	(C)	(D)	(E)	(F)		
1	1	714220-22720	PISTON W/RINGS (D)	1	1	1	1				
3	2	714870-22502	RING SET, PISTON	1	1	1	1				
9	1	114399-22300	PIN, PISTON D=21	1	1	1	1				
10	1	22252-000210	RING, 21	2	2	2	2				
11	1	71421C-23010	ROD ASSY, CONNECTING	1	1	1	1				
14	3	114380-23100	BEARING, PISTON PIN	1	1	1	1				
15	3	118200-23200	BOLT, CONNECTING ROD	2	2	2	2				
16	2	114210-23600	BEARING, CRANK PIN	1	1	1	1				
18	1	714220-22620	PISTON W/RING 250S	1	1	1	1			1	
20	2	714870-22542	RING SET, 0.25 OS	1	1	1	1			1	
24	1	714220-22580	PISTON W/RING .500S	1	1	1	1			2	
26	2	714870-22552	RING SET, 0.50 OS	1	1	1	1			2	
30	1	114210-23610	BEARING,PIN(U.S.=0.25	1	1	1	1			3	
32	1	114210-23620	BEARING,PIN(U.S.=0.50	1	1	1	1			4	

Remarks

- (1)Over sized(U.S.=0.25)parts.
- (2)Over sized(U.S.=0.50)parts.
- (3)Under sized(U.S.=0.25)parts.
- (4)Under sized(U.S.=0.50)parts.

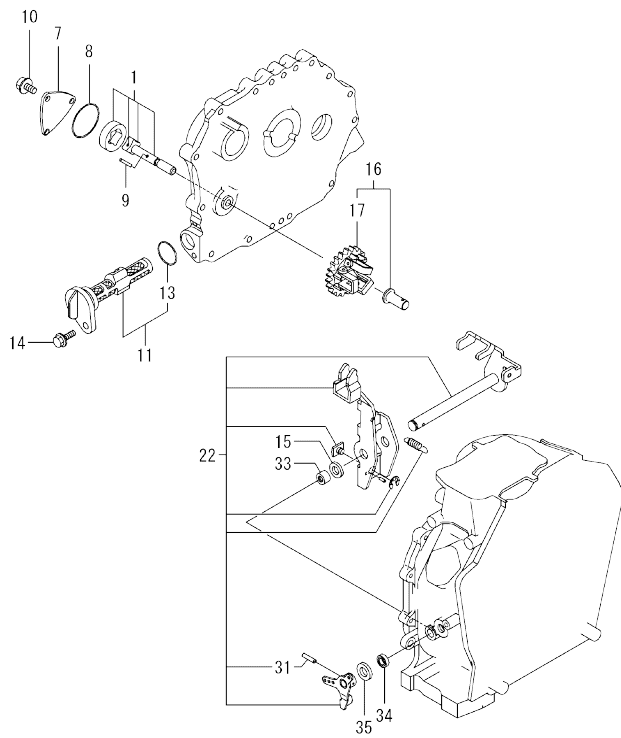
Fig.11. BALANCER SHAFT



(A)=L70N6-MMA2  
(B)=L70N6-MEMA2  
(C)=L70N6-PEAMA2  
(D)=L70N6-PAMA  
(E)=  
(F)=

No.	Lev.	Parts No.	Description	Q'ty						I	R
				(A)	(B)	(C)	(D)	(E)	(F)		
1	1	714210-28510	SHAFT ASSY, BALANCER	1	1	1	1				
7	1	24101-062030	BEARING, BALL 6203C3	2	2	2	2				

OCD11-M15102 L70N6-MMA2/MEMA2/PEAMA2/PAMA  
 Fig.12. LUB.OIL PUMP & GOVERNOR



OCD11-M15102 Fig.12

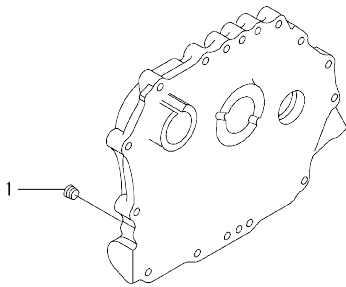
(A)=L70N6-MMA2 (D)=L70N6-PAMA  
 (B)=L70N6-MEMA2 (E)=  
 (C)=L70N6-PEAMA2 (F)=

No.	Lev.	Parts No.	Description	Q'ty						I	R
				(A)	(B)	(C)	(D)	(E)	(F)		
1	1	114250-32010	PUMP ASSY, OIL	1	1	1	1				
7	1	114299-32070	COVER	1	1	1	1				
8	1	114299-32570	O-RING	1	1	1	1				
9	1	22312-030160	PIN, PARALLEL M3X16	1	1	1	1				
10	1	26106-060122	BOLT, M6X 12 PLATED	3	3	3	3				
11	1	114299-35110	FILTER ASSY, OIL	1	1	1	1				
13	2	24341-000224	O-RING, 1AS22.4	1	1	1	1				
14	1	26106-060162	BOLT, M6X 16 PLATED	1	1	1	1				
15	1	114299-61190	WASHER	1	1	1	1				
16	1	714210-61701	GOVERNOR ASSY	1	1	1	1				
17	2	114210-61290	WEIGHT ASSY, GOVERNOR	1	1	1	1				
22	1	114211-61500	LEVER ASSY, GOVERNOR	1	1	1	1				1
31	2	22322-030200	PIN, TAPER 3X20	1	1	1	1				
33	1	114770-61520	BEARING, NEEDLE	2	2	2	2				
34	1	114299-61600	SEAL, OIL	1	1	1	1				
35	1	114770-61610	WASHER, THRUST	1	1	1	1				

Remarks  
 (1) On a guarantee of quality component parts shall not be sold.

N:Old  $\frac{New}{Old}$  New, Q:Old  $\frac{New}{Old}$  New, R:Old  $\frac{New}{Old}$  New, S:Old  $\frac{New}{Old}$  New, W:Add, Z:Discontinued, F:Interchangeable by set, K:Q'ty Change  
 Copyright (C) 2014 YANMAR CO., LTD. All Rights Reserved.

OCD11-M15102 L70N6-MMA2/MEMA2/PEAMA2/PAMA  
 Fig.13. OIL PRESSURE SWITCH CAP



OCD11-M15102 Fig.13

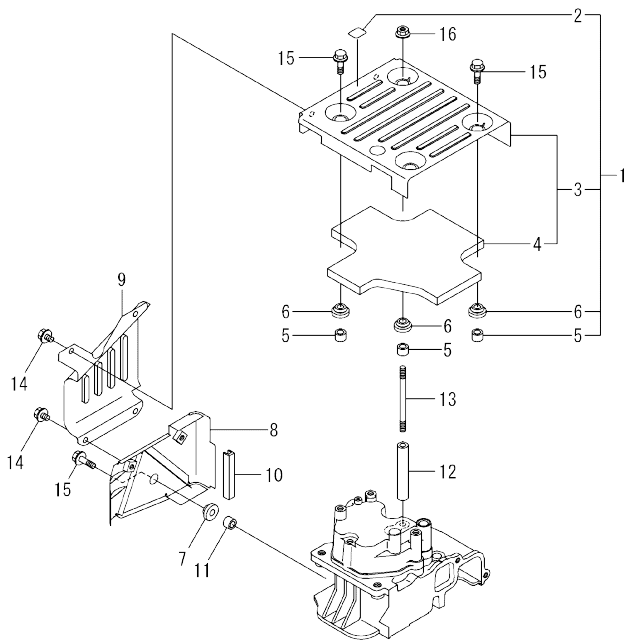
(A)=L70N6-MMA2  
 (B)=L70N6-MEMA2  
 (C)=L70N6-PEAMA2

(D)=L70N6-PAMA  
 (E)=  
 (F)=

No.	Lev.	Parts No.	Description	Q'ty						I	R
				(A)	(B)	(C)	(D)	(E)	(F)		
1	1	23876-010000	PLUG, R01	1	1	1	1				



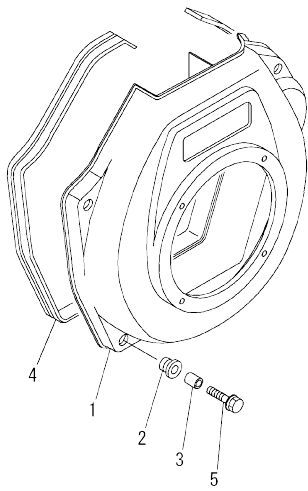
Fig.14. COVER



(A)=L70N6-MMA2  
(B)=L70N6-MEMA2  
(C)=L70N6-PEAMA2  
(D)=L70N6-PAMA  
(E)=  
(F)=

No.	Lev.	Parts No.	Description	Qty						I	R
				(A)	(B)	(C)	(D)	(E)	(F)		
1	1	11422C-45200	TOP COVER ASSY	1	1	1					
1-1	1	114220-45210	COVER ASSY, TOP	1	1	1	1				R
		(A=ES18931) (B=ES16300) (C=ES18246)									
2	2	114220-07120	LABEL, DECOMPRESSION	1	1	1	1				
3	2	11421C-45300	COVER	1	1	1					
3-1	2	114210-45320	COVER, TOP	1	1	1	1				R
		(A=ES18931) (B=ES16300) (C=ES18246)									
4	3	11421C-45310	INSULATOR, NOISE	1	1	1					
4-1	3	114210-45310	DAMPER	1	1	1	1				R
		(A=ES18931) (B=ES16300) (C=ES18246)									
5	2	114350-45340	COLLAR	4	4	4	4				
5-1	2	114399-45340	COLLAR	4	4	4	4				R
		(A=ES18931) (B=ES16300) (C=ES18246)									
6	2	183720-55210	GROMMET	4	4	4	4				
6-1	2	114299-45220	GROMMET	4	4	4	4				R
		(A=ES18931) (B=ES16300) (C=ES18246)									
7	1	114299-45220	GROMMET	1	1	1	1				
8	1	11421C-45260	COVER	1	1	1					
8-1	1	114210-45260	COVER B, SIDE (13)	1	1	1	1				R
		(A=ES18931) (B=ES16300) (C=ES18246)									
9	1	11421C-45270	COVER	1	1	1					
9-1	1	114210-45270	COVER A, SIDE (13)	1	1	1	1				R
		(A=ES18931) (B=ES16300) (C=ES18246)									
10	1	114399-45320	RUBBER, SEAL	1	1	1	1				
11	1	114399-45340	COLLAR	1	1	1	1				
12	1	114210-45350	SPACER, TOP COVER	1	1	1	1				
13	1	114210-45360	STUD BOLT, TOP COVER	1	1	1	1				
14	1	26106-060082	BOLT, M6X 8 PLATED	4	4	4	4				
15	1	26106-060202	BOLT, M6X 20 PLATED	4	4	4	4				
16	1	26366-060002	NUT, M6	1	1	1	1				

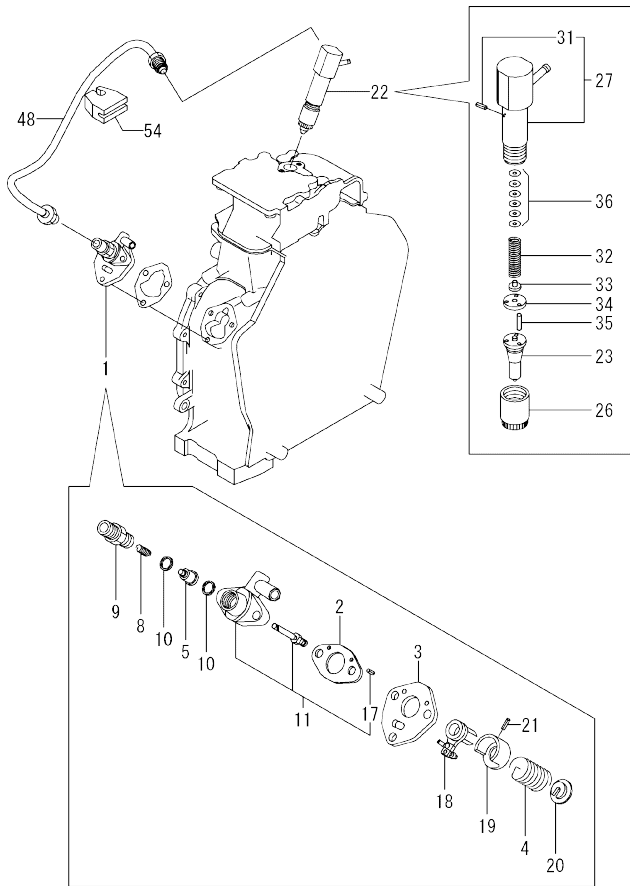
Fig.15. COOLING FAN CASE



(A)=L70N6-MMA2  
 (B)=L70N6-MEMA2  
 (C)=L70N6-PEAMA2  
 (D)=L70N6-PAMA  
 (E)=  
 (F)=

No.	Lev.	Parts No.	Description	Q'ty						I	R
				(A)	(B)	(C)	(D)	(E)	(F)		
1	1	114210-45150	CASE, COOLING FAN	1	1	1	1				
2	1	114299-45301	RUBBER, CUSHION	4	4	4	4				
3	1	114299-45310	COLLAR	4	4	4	4				
4	1	114299-45331	SEAL, FAN CASE	1	1	1	1				
5	1	114299-45350	BOLT, FAN CASE	4	4	4	4				

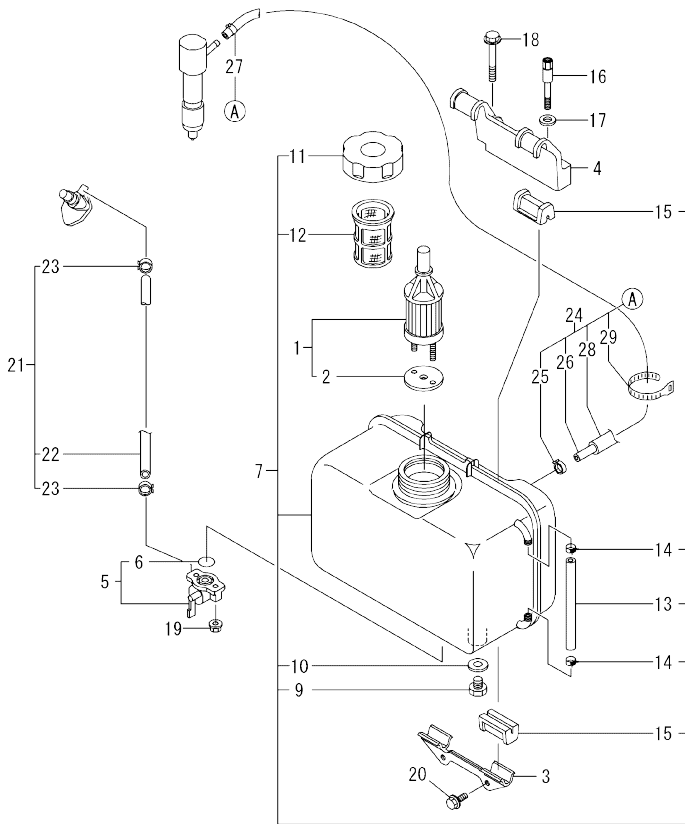
Fig.16. FUEL INJECTION PUMP & FUEL INJECTION VALVE



(A)=L70N6-MMA2 (D)=L70N6-PAMA  
 (B)=L70N6-MEMA2 (E)=  
 (C)=L70N6-PEAMA2 (F)=

No.	Lev.	Parts No.	Description	Qty						I	R
				(A)	(B)	(C)	(D)	(E)	(F)		
1	1	714239-51400	PUMP ASSY, INJECTION	1	1	1	1				
2	2	105546-51020	GASKET	1	1	1	1				
3	2	114250-51080	PLATE	1	1	1	1				
4	2	114250-51160	SPRING, PLUNGER	1	1	1	1				
5	2	114650-51300	VALVE ASSY, DELIVERY	1	1	1	1				
8	2	105546-51330	SPRING, DELIVERY	1	1	1	1				
9	2	114250-51340	HOLDER, DELIVERY	1	1	1	1				
10	2	124550-51350	GASKET, DELIVERY	2	2	2	2				
11	2	114239-51400	BODY ASSY, PUMP	1	1	1	1				
17	4	22351-020006	PIN, SPRING 2.0X 6	2	2	2	2				
18	2	114250-51500	LEVER, CONTROL	1	1	1	1				
19	2	114250-51640	SEAT, SPRING A	1	1	1	1				
20	2	114250-51650	SEAT, SPRING B	1	1	1	1				
21	2	22351-030008	PIN, SPRING 3.0X 8	1	1	1	1				
22	1	714239-53100	VALVE ASSY, INJECTION	1	1	1	1				
23	2	114239-53050	VALVE ASSY, INJECTION	1	1	1	1				
26	2	114250-53080	NUT, NOZZLE D16.95	1	1	1	1				
27	2	114339-53100	HOLDER ASSY, NOZZLE	1	1	1	1				
31	3	22351-025005	PIN, SPRING 2.5X 6	1	1	1	1				
32	2	114250-53120	SPRING, NOZZLE	1	1	1	1				
33	2	114250-53130	SEAT, SPRING	1	1	1	1				
34	2	114250-53140	PLATE	1	1	1	1				
35	2	114250-53210	PIN	2	2	2	2				
36	2	114250-53400	SHIM SET	1	1	1	1				
36-1	2	119803-53400	SHIM SET	1	1	1	1				R
		(A=ES16052) (B=ES16300) (C=ES18246)									
48	1	114210-59800	PIPE ASSY, INJECTION	1	1	1	1				
54	1	114210-59850	SUPPORT, INJ. PIPE	1	1	1	1				

Fig.17. FUEL TANK & FUEL PIPE

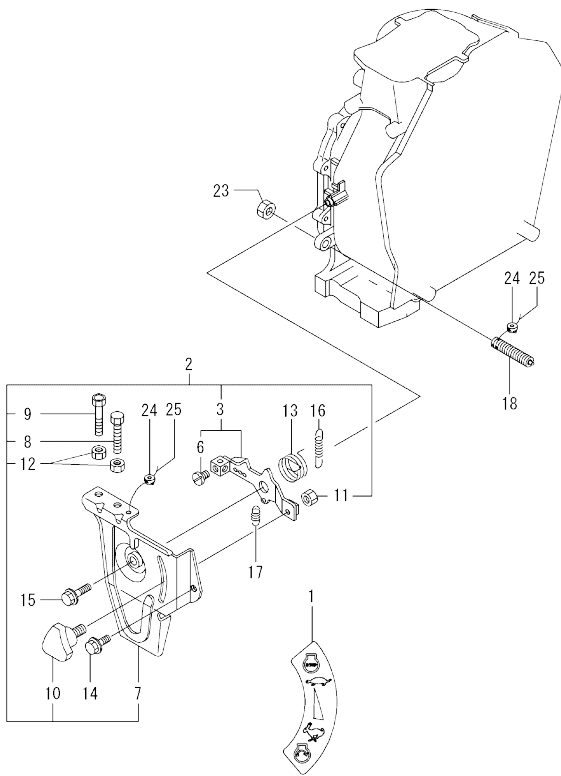


(A)=L70N6-MMA2  
(B)=L70N6-MEMA2  
(C)=L70N6-PEAMA2

(D)=L70N6-PAMA  
(E)=  
(F)=

No.	Lev.	Parts No.	Description	Qty						I	R
				(A)	(B)	(C)	(D)	(E)	(F)		
1	1	114250-55121	FILTER ASSY, FUEL	1	1	1	1				
2	2	114250-55130	GASKET	1	1	1	1				
3	1	114210-55210	STAY, FUEL TANK A	1	1	1	1				
4	1	114210-55230	STAY, FUEL TANK B	1	1	1	1				
5	1	114250-55301	COCK ASSY, FUEL	1	1	1	1				
6	2	24341-000150	O-RING, 1AS15.0	1	1	1	1				
7	1	11421C-55730	TANK ASSY, FUEL	1	1	1	1				
9	2	114299-55080	PLUG, DRAIN	1	1	1	1				
10	2	23414-080000	GASKET, 8X1.0	1	1	1	1				
11	2	114299-55040	CAP ASSY, FUEL TANK	1	1	1	1				
12	2	114299-55100	ELEMENT, FUEL FILTER	1	1	1	1				
13	2	114239-55150	GAUGE, OIL LEVEL	1	1	1	1				
14	2	23080-007000	CLAMP, 7	2	2	2	2				
15	2	114250-55201	DAMPER, FUEL TANK	4	4	4	4				
16	1	114210-55810	BOLT, LIFTING	1	1	1	1				
17	1	22117-080000	WASHER, 8	1	1	1	1				
18	1	26106-080452	BOLT, M8X 45 PLATED	1	1	1	1				
19	1	26366-060002	NUT, M6	2	2	2	2				
20	1	26106-060162	BOLT, M6X 16 PLATED	2	2	2	2				
21	1	114780-59010	PIPE ASSY, FUEL L50	1	1	1	1				
22	2	114780-59060	PIPE, FUEL L=50	1	1	1	1				
23	2	23080-014000	CLAMP, 14	2	2	2	2				
24	1	114239-59300	PIPE ASSY, RETURN	1	1	1	1				
24-1	1	114239-59301	PIPE ASSY, FO RETURN	1	1	1	1				N
		(A=*2019.03)	(B=*2019.03)	(C=*2019.03)	(D=*2019.03)						
25	2	124722-59050	CLAMP, HOSE 9	1	1	1	1				
26	2	114650-59060	PIPE, FUEL RETURN	1	1	1	1				
26-1	2	114650-59061	PIPE, FO RETURN	1	1	1	1				N
		(A=*2019.03)	(B=*2019.03)	(C=*2019.03)	(D=*2019.03)						
27	2	124066-59100	CLAMP, HOSE 8	1	1	1	1				
28	2	114652-59310	TUBE, PROTECT	1	1	1	1				
29	2	121750-59890	BAND, NYLON	1	1	1	1				

Fig.18. SPEED CONTROL DEVICE



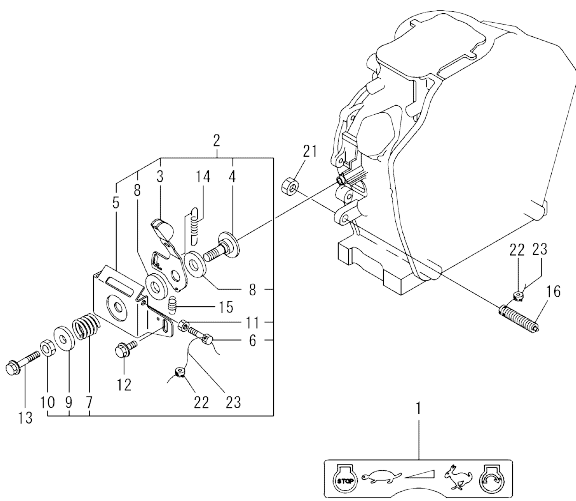
(A)=L70N6-MMA2  
(B)=L70N6-MEMA2  
(C)=L70N6-PEAMA2  
(D)=L70N6-PAMA  
(E)=  
(F)=

No.	Lev.	Parts No.	Description	Q'ty						I	R
				(A)	(B)	(C)	(D)	(E)	(F)		
1	1	114220-07160	LABEL, THAI	1	1	1	1				
2	1	714210-66100	SPEED CTRL, THAI	1	1	1	1				
3	2	114210-66060	HANDLE ASY,REGULATOR	1	1	1	1				
6	3	26117-050089	BOLT, M5X 8 PLATED	1	1	1	1				
7	2	114210-66100	BRACKET, REGULATOR	1	1	1	1				
8	2	114299-66440	BOLT, ADJUSTING	1	1	1	1				
9	2	114299-67080	BOLT, ADJUSTING	1	1	1	1				
10	2	160725-78350	KNOB	1	1	1	1				
11	2	26347-060002	NUT, M6	1	1	1	1				
12	2	26857-060002	NUT, M6	2	2	2	2				
13	1	114299-66250	SPRING, RETURN	1	1	1	1				
14	1	26106-060142	BOLT, M6X 14 PLATED	1	1	1	1				
15	1	26106-060202	BOLT, M6X 20 PLATED	1	1	1	1				
16	1	114320-66010	SPRING, REGULATOR	1	1	1	1				
17	1	114299-66201	SPRING, RETURN	1	1	1	1				
18	1	114220-66600	LIMITER ASSY, FUEL	1	1	1	1				
23	1	26776-100002	NUT, LOCK M10	1	1	1	1				
24	1	114780-61090	TIN	2	2	2	2				
25	1	22451-060000	WIRE, 0.6	2	2	2	2				

Remarks  
\*FigNo.18 shows before models below.  
(C)=ES14965  
\*Please refer to FigNo.25 after.

OCD11-M15102 L70N6-MMA2/MEMA2/PEAMA2/PAMA  
 Fig.25. (18A)SPEED CONTROL DEVICE

OCD11-M15102 Fig.25



(A)=L70N6-MMA2  
 (B)=L70N6-MEMA2  
 (C)=L70N6-PEAMA2

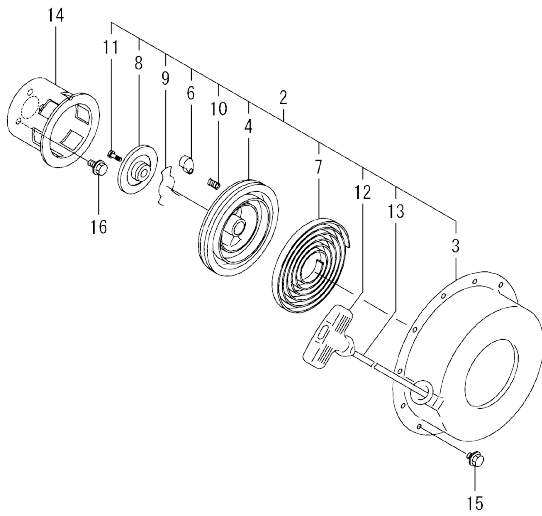
(D)=L70N6-PAMA  
 (E)=  
 (F)=

No.	Lev.	Parts No.	Description	Q'ty						I	R	
				(A)	(B)	(C)	(D)	(E)	(F)			
1	1	114220-07140	LABEL, CONTROL								1	
2	1	114210-66550	BRACKET ASSY								1	
3	2	114210-66070	HANDLE, REGULATOR								1	
4	2	183250-66070	SHAFT, HANDLE								1	
5	2	114210-66400	BRACKET, HANDLE								1	
6	2	114250-66440	BOLT, ADJUSTING								1	
7	2	104200-66820	SPRING								1	
8	2	104200-66831	PLATE, FRICTION								2	
9	2	104200-66850	WASHER								1	
10	2	26696-100002	NUT, LOCK M10								1	
11	2	26757-060002	NUT, LOCK M6								1	
12	1	26106-060142	BOLT, M6X 14 PLATED								1	
13	1	26106-060452	BOLT, M6X 45 PLATED								1	
14	1	114320-66010	SPRING, REGULATOR								1	
15	1	114299-66200	SPRING, RETURN								1	
16	1	114220-66600	LIMITER ASSY, FUEL								1	
21	1	26776-100002	NUT, LOCK M10								1	
22	1	114780-61090	TIN								2	
23	1	22451-060000	WIRE, 0.6								2	

Remarks  
 \*FigNo.25 shows after models below.  
 (C)=ES18246  
 \*Please refer to FigNo.18 before.

N:Old  $\frac{REV}{REV}$  New, Q:Old  $\frac{REV}{REV}$  New, R:Old  $\frac{REV}{REV}$  New, S:Old  $\frac{REV}{REV}$  New, W:Add, Z:Discontinued, F:Interchangeable by set, K:Q'ty Change  
 Copyright (C) 2014 YANMAR CO., LTD. All Rights Reserved.

Fig.19. RECOIL STARTER



(A)=L70N6-MMA2  
 (B)=L70N6-MEMA2  
 (C)=L70N6-PEAMA2  
 (D)=L70N6-PAMA  
 (E)=  
 (F)=

No.	Lev.	Parts No.	Description	Q'ty						I	R
				(A)	(B)	(C)	(D)	(E)	(F)		
2	1	114399-76251	RECOIL STARTER(D)ASY	1	1	1	1				
3	2	114399-76510	CASE, STARTER	1	1	1	1				
4	2	114399-76521	REEL, RECOIL	1	1	1	1				
6	2	114399-76531	RATCHET	1	1	1	1				
7	2	114399-76540	SPRING, SPIRAL	1	1	1	1				
8	2	114399-76550	COVER	1	1	1	1				
9	2	114399-76560	SPRING	1	1	1	1				
10	2	114399-76570	SPRING, RETURN	1	1	1	1				
11	2	114399-76580	SCREW	1	1	1	1				
12	2	114399-76620	KNOB, STARTER	1	1	1	1				
13	2	114399-76630	ROPE, STARTER	1	1	1	1				
14	1	114399-76590	PULLEY, STARTER	1	1	1	1				
15	1	26106-060082	BOLT, M6X 8 PLATED	4	4	4	4				
16	1	26106-060122	BOLT, M6X 12 PLATED	3	3	3	3				

Fig.20. STARTING MOTOR

(A)=L70N6-MMA2 (D)=L70N6-PAMA  
 (B)=L70N6-MEMA2 (E)=  
 (C)=L70N6-PEAMA2 (F)=

No.	Lev.	Parts No.	Description	Q'ty						I	R
				(A)	(B)	(C)	(D)	(E)	(F)		
1	1	114362-77011	STARTER	1	1						
2	2	114381-77110	ARMATURE		1	1					
3	2	X2114811000	WASHER KIT, THRUST	1	1						
4	2	X2114715500	STOPPER SET	1	1						
5	2	114381-77130	COIL ASSY, FIELD	1	1						
6	2	114381-77140	COVER	1	1						
7	2	114371-77160	HOLDER ASSY, BRUSH	1	1						
8	3	114371-79040	BRUSH	2	2						
9	3	114371-79050	BRUSH	1	1						
10	3	114371-79060	SPRING	4	4						
11	2	X211485016	PINION ASSY	1	1						
12	2	114381-77151	CASE ASSY	1	1						
13	2	114371-77170	COVER ASSY, DUST	1	1						
14	2	114371-77180	LEVER KIT, SHIFT	1	1						
15	2	124298-77020	SWITCH, MAGNETIC	1	1						
16	2	124195-77770	BOLT, THROUGH	2	2						
17	2	114371-79070	BOLT	2	2						
18	2	X2114274200	COVER	1	1						
19	1	26106-100302	BOLT, M10X 30 PLATED	2	2						
20	1	26716-080002	NUT, M8	1	1						

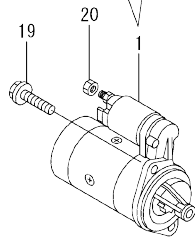
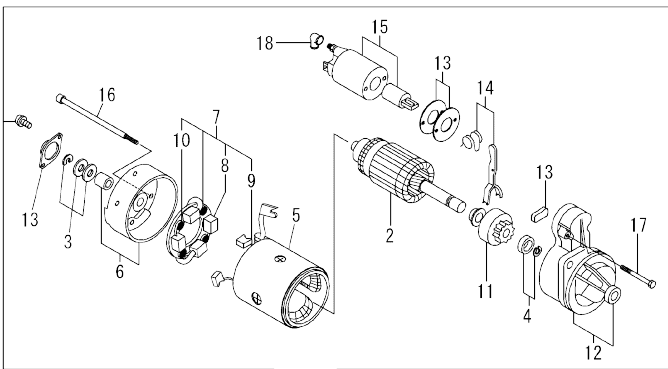
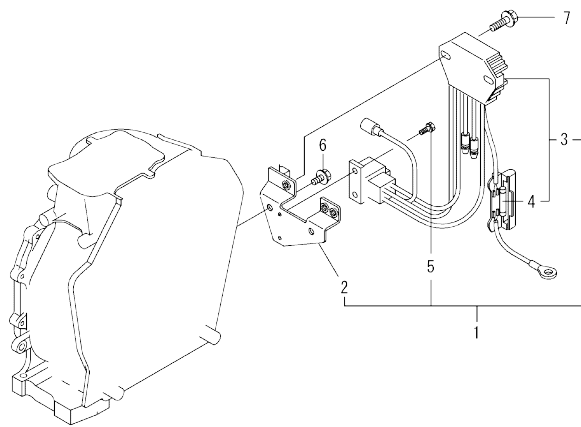




Fig.21. ELECTRICAL EQUIPMENT



(A)=L70N6-MMA2  
(B)=L70N6-MEMA2  
(C)=L70N6-PEAMA2

(D)=L70N6-PAMA  
(E)=  
(F)=

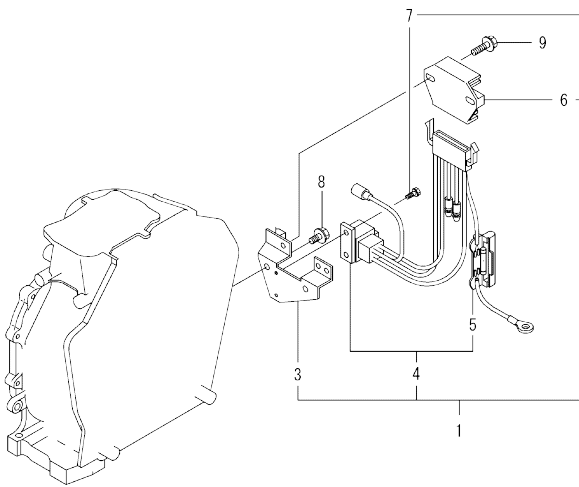
No.	Lev.	Parts No.	Description	Q'ty						
				(A)	(B)	(C)	(D)	(E)	(F)	
1	1	114399-77560	REG. & HARNESS ASSY		1	1				
2	2	114399-77410	BRACKET, HARNESS		1	1				
3	2	114399-77720	REGULATOR		1	1				
4	3	114399-78000	FUSE(20A)		1	1				
5	2	26023-040102	SCREW, M4X10		2	2				
6	1	26106-060122	BOLT, M6X 12 PLATED		2	2				
7	1	26106-060202	BOLT, M6X 20 PLATED		2	2				

Remarks  
 \*Fig.No.21 shows before models below.  
 (B)=ES14875, (C)=ES14645  
 \*Please refer to Fig.No.26 after.

OCD11-M15102 L70N6-MMA2/MEMA2/PEAMA2/PAMA  
 Fig.26. (21A)ELECTRICAL EQUIPMENT

OCD11-M15102 Fig.26

(A)=L70N6-MMA2 (D)=L70N6-PAMA  
 (B)=L70N6-MEMA2 (E)=  
 (C)=L70N6-PEAMA2 (F)=

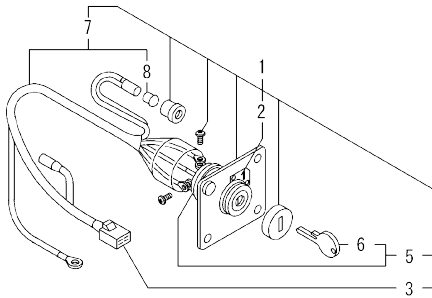


No.	Lev.	Parts No.	Description	Q'ty						
				(A)	(B)	(C)	(D)	(E)	(F)	
1	1	114399-77550	REG. & HARNESS ASSY		1	1				
3	2	114399-77400	BRACKET, HARNESS		1	1				
4	2	114399-77540	HARNESS, WIRE		1	1				
5	3	114399-78000	FUSE(20A)		1	1				
6	2	114399-77710	REGULATOR		1	1				
7	2	26023-040102	SCREW, M4X10		2	2				
8	1	26106-060122	BOLT, M6X 12 PLATED		2	2				
9	1	26106-060202	BOLT, M6X 20 PLATED		2	2				

Remarks  
 \*FigNo.26 shows after models below.  
 (B)=ES16300, (C)=ES14956  
 \*Please refer to FigNo.21 before.

N:Old  $\frac{New}{Old}$  New, Q:Old  $\frac{New}{Old}$  New, R:Old  $\frac{New}{Old}$  New, S:Old  $\frac{New}{Old}$  New, W:Add, Z:Discontinued, F:Interchangeable by set, K:Q'ty Change  
 Copyright (C) 2014 YANMAR CO., LTD. All Rights Reserved.

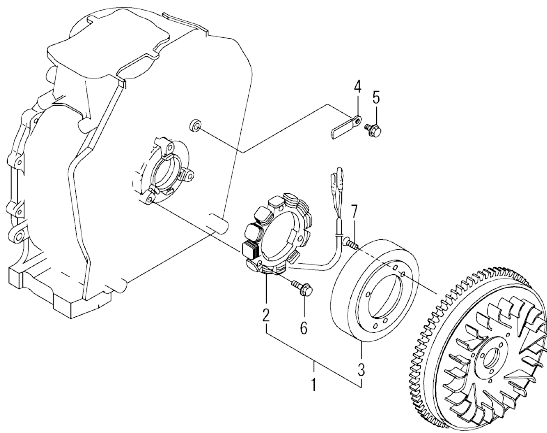
Fig.22. KEY SWITCH



(A)=L70N6-MMA2 (D)=L70N6-PAMA  
 (B)=L70N6-MEMA2 (E)=  
 (C)=L70N6-PEAMA2 (F)=

No.	Lev.	Parts No.	Description	Q'ty					
				(A)	(B)	(C)	(D)	(E)	(F)
1	1	114220-77500	PANEL ASSY,KEYSWITCH	1	1				
2	2	114220-07170	LABEL, START SWITCH	1	1				
3	2	114351-77520	COUPLER	1	1				
5	2	106100-77620	SWITCH, KEY	1	1				
6	3	106100-77630	KEY, SWITCH	1	1				
7	2	114351-77700	HARNES, WIRE	1	1				
8	3	29220-083200	BULB (12V/3.4W)	1	1				

Fig.23. DYNAMO



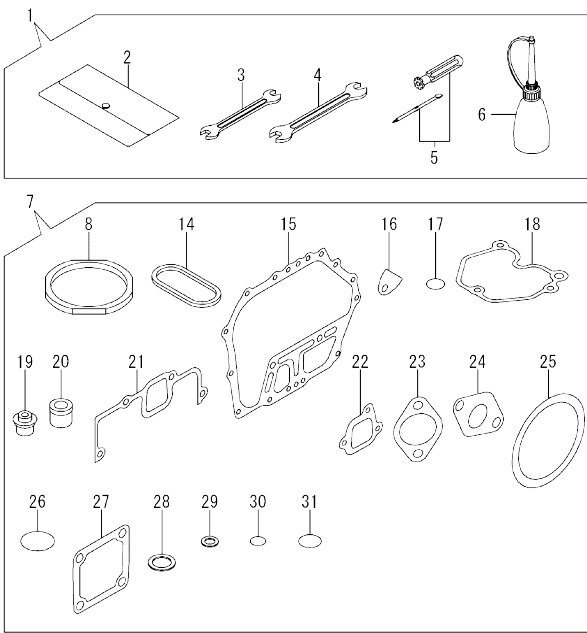
No.	Lev.	Parts No.	Description	Q'ty						I	R
				(A)	(B)	(C)	(D)	(E)	(F)		
1	1	114399-78280	DINAMO ASSY, 15A	1	1						
1-1	1	114399-78260 (B=ES16300) (C=ES14956)	DYNAMO ASSY	1	1					R	1
2	2	114399-78770	STATOR ASSY	1	1						
2-1	2	114399-78730 (B=ES16300) (C=ES14956)	STATOR ASSY	1	1					R	1
3	2	114399-78780	WHEEL, DYNAMO	1	1						
3-1	2	114399-78740 (B=ES16300) (C=ES14956)	WHEEL, DYNAMO	1	1					R	1
4	1	160710-78710	CLAMP, CORD	1	1						
5	1	26106-060122	BOLT, M6X 12 PLATED	1	1						
6	1	26106-060202	BOLT, M6X 20 PLATED	3	3						
7	1	26577-060142	SCREW M 6X 14	3	3						
7-1	1	114210-78800 (B=ES16300) (C=ES14956)	SCREW,COUNTERSUNK M6	3	3						N

Remarks

(1)Interchangeable by simultaneous replacement with No.1-1, No.2-1 and No.3-1.

Fig.24. TOOL & GASKET SET

(A)=L70N6-MMA2  
(B)=L70N6-MEMA2  
(C)=L70N6-PEAMA2  
(D)=L70N6-PAMA  
(E)=  
(F)=



No.	Lev.	Parts No.	Description	Qty						I	R
				(A)	(B)	(C)	(D)	(E)	(F)		
1	1	114299-92590	BOX, TOOL	1	1	1	1				
2	2	114299-92600	BAG, TOOL	1	1	1	1				
3	2	114299-92710	WRENCH	1	1	1	1				
4	2	114299-92720	WRENCH	1	1	1	1				
5	2	114299-92730	DRIVER	1	1	1	1				Z
		(A=ES16052) (B=ES14871) (C=ES11552)									
6	2	114299-92740	DIPSTICK	1	1	1	1				Z
		(A=ES16502) (B=ES14871) (C=ES11552)									
7	1	114220-92600	GASKET SET	1	1	1	1				1
8	2	114395-01331	GASKET, HEAD	1	1	1	1				
14	2	114399-01380	O-RING	1	1	1	1				
15	2	114399-01410	GASKET, CRANK CASE	1	1	1	1				
16	2	114250-01841	GASKET	1	1	1	1				
17	2	114299-01950	O-RING, 18	2	2	2	2				
18	2	114210-11310	GASKET, BONNET	1	1	1	1				
19	2	114350-11341	SEAL, VALVE STEM	2	2	2	2				
20	2	114771-11461	GASKET, NOZZLE	1	1	1	1				
21	2	114210-12210	GASKET, AIR CLEANER	1	1	1	1				
22	2	114299-12210	GASKET, AIR CLEANER	2	2	2	2				
23	2	114299-12920	GASKET, AIR CLEANER	1	1	1	1				
24	2	114299-13200	GASKET, MUFFLER	1	1	1	1				
25	2	114399-21980	GASKET	1	1	1	1				
26	2	114299-32570	O-RING	1	1	1	1				
27	2	129100-77510	GASKET	3	3	3	3				
28	2	22190-160002	WASHER, SEAL 16	2	2	2	2				
29	2	23414-080000	GASKET, 8X1.0	1	1	1	1				
30	2	24341-000150	O-RING, 1AS15.0	1	1	1	1				
31	2	24341-000224	O-RING, 1AS22.4	1	1	1	1				

Remarks

(1)Optional parts.

## Parts No. Index

Parts No.	Fig. No.	Ref. No.
104200-66820	25	7
104200-66831	25	8
104200-66850	25	9
105010-11490	4	27
105546-51020	16	2
105546-51330	16	8
106100-77620	22	5
106100-77630	22	6
114210-01020	1	1
114210-01200	4	1
114210-01210	4	2
114210-01450	1	27
114210-01470	1	27 A
114210-03590	4	38
114210-11120	4	10
114210-11180	4	11
114210-11310	4	35
	24	18
114210-11901	4	30
114210-11930	4	12
114210-11950	4	36
114210-12010	5	4
114210-12210	5	1
	24	21
114210-12560	5	11
114210-12590	5	12
114210-12600	5	15
114210-14200	7	6
114210-14300	7	7
114210-14400	7	12
114210-21780	8	12
114210-23600	10	16
114210-23610	10	30
114210-23620	10	32
114210-45150	15	1
114210-45260	14	8 -1
114210-45270	14	9 -1
114210-45310	14	4 -1
114210-45320	14	3 -1
114210-45350	14	12
114210-45360	14	13
114210-55210	17	3
114210-55230	17	4
114210-55810	17	16
114210-59800	16	48
114210-59850	16	54
114210-61290	12	17
114210-66060	18	3
114210-66070	25	3
114210-66100	18	7

Parts No.	Fig. No.	Ref. No.
114210-66400	25	5
114210-66550	25	2
114210-78800	23	7 -1
114211-61500	12	22
11421C-11100	4	8
11421C-11110	4	9
11421C-11250	4	14
11421C-11260	4	15
11421C-11650	4	16
11421C-11660	4	20
11421C-13500	6	2
11421C-21830	8	1
11421C-45260	14	8
11421C-45270	14	9
11421C-45300	14	3
11421C-45310	14	4
11421C-55730	17	7
114220-07100	3	2
114220-07110	3	4
114220-07120	14	2
114220-07130	3	9
114220-07140	3	11
	25	1
114220-07160	3	8
	18	1
114220-07170	22	2
114220-12500	5	8
114220-12550	5	3
114220-45210	14	1 -1
114220-66600	18	18
	25	16
114220-77500	22	1
114220-92600	24	7
11422C-11020	4	3
11422C-14580	7	1
11422C-45200	14	1
114239-51400	16	11
114239-53050	16	23
114239-55150	17	13
114239-59300	17	24
114239-59301	17	24 -1
114250-01841	1	20
	24	16
114250-11240	4	18
	22	22
114250-32010	12	1
114250-51080	16	3
114250-51160	16	4
114250-51340	16	9
114250-51500	16	18

Parts No.	Fig. No.	Ref. No.
114250-51640	16	19
114250-51650	16	20
114250-53080	16	26
114250-53120	16	32
114250-53130	16	33
114250-53140	16	34
114250-53210	16	35
114250-53400	16	36
114250-55121	17	1
114250-55130	17	2
114250-55201	17	15
114250-55301	17	5
114250-66440	25	6
114299-01600	1	7
114299-01690	2	1
114299-01800	1	8
114299-01830	1	19
114299-01950	2	4
	24	17
114299-02030	1	34
114299-03640	4	41
114299-07101	3	3
114299-07111	3	5
114299-07160	3	6
114299-11600	4	29
114299-12210	24	22
114299-12300	5	2
114299-12920	24	23
114299-13200	6	1
	24	24
114299-13800	6	11
114299-21220	9	1
114299-21550	9	2
114299-32070	12	7
114299-32570	12	8
	24	26
114299-35110	12	11
114299-35150	1	32
114299-45220	14	6 -1
	7	7
114299-45301	15	2
114299-45310	15	3
114299-45331	15	4
114299-45350	15	5
114299-55040	17	11
114299-55080	17	9
114299-55100	17	12
114299-61190	12	15
114299-61600	12	34
114299-66200	25	15

Parts No.	Fig. No.	Ref. No.
114299-66201	18	17
114299-66250	18	13
114299-66440	18	8
114299-67080	18	9
114299-92590	24	1
114299-92600	24	2
114299-92710	24	3
114299-92720	24	4
114299-92730	24	5
114299-92740	24	6
114320-66010	18	16
	25	14
114339-11451	4	26
114339-11551	4	28
114339-53100	16	27
114350-02100	1	30
114350-02113	1	35
114350-02200	1	40
114350-02210	1	41
114350-11341	4	25
	24	19
114350-45340	14	5
114351-77520	22	3
114351-77700	22	7
114362-77011	20	1
114371-77160	20	7
114371-77170	20	13
114371-77180	20	14
114371-79040	20	8
114371-79050	20	9
114371-79060	20	10
114371-79070	20	17
114380-23100	10	14
114381-77110	20	2
114381-77130	20	5
114381-77140	20	6
114381-77151	20	12
114395-01331	24	8
114395-01341	1	5
114399-01380	1	6
	24	14
114399-01410	1	26
	24	15
114399-01700	2	6
114399-21420	9	3
114399-21590	9	5
114399-21600	9	8
114399-21980	24	25
114399-22300	10	9
114399-45320	14	10

## Parts No. Index

Parts No.	Fig. No.	Ref. No.
114399-45340	14	5 -1 11
114399-76251	19	2
114399-76510	19	3
114399-76521	19	4
114399-76531	19	6
114399-76540	19	7
114399-76550	19	8
114399-76560	19	9
114399-76570	19	10
114399-76580	19	11
114399-76590	19	14
114399-76620	19	12
114399-76630	19	13
114399-77400	26	3
114399-77410	21	2
114399-77540	26	4
114399-77550	26	1
114399-77560	21	1
114399-77710	26	6
114399-77720	21	3
114399-78000	21	4
	26	5
114399-78260	23	1 -1
114399-78280	23	1
114399-78730	23	2 -1
114399-78740	23	3 -1
114399-78770	23	2
114399-78780	23	3
114650-51300	16	5
114650-59060	17	26
114650-59061	17	26 -1
114652-59310	17	28
114699-01760	2	2
114770-61520	12	33
114770-61610	12	35
114771-11461	24	20
114780-59010	17	21
114780-59060	17	22
114780-61090	18	24
	25	22
118200-23200	10	15
119803-53400	16	36 -1
121750-59890	17	29
124066-59100	17	27
124195-77770	20	16
124298-77020	20	15
124550-51350	16	10
124722-59050	17	25
129100-77510	24	27

Parts No.	Fig. No.	Ref. No.
160110-02220	1	36 37
160210-02220	1	37 A
160710-78710	23	4
160725-78350	18	10
160842-21150	8	9
160842-21250	8	10
160842-21260	8	11
183250-66070	25	4
183720-55210	14	6
22117-080000	17	17
22190-160002	2	5
	24	28
22242-000120	4	24
22252-000210	10	10
22312-030160	4	43
	12	9
22312-040080	1	21
22322-030200	12	31
22351-020006	16	17
22351-025005	16	31
22351-030008	16	21
22351-040008	4	31
22451-060000	18	25
	25	23
22512-040120	9	9
23080-007000	17	14
23080-014000	17	23
23414-080000	17	10
	24	29
23875-020000	1	22
23876-010000	13	1
24101-062030	11	7
24162-152116	1	38
24341-000150	17	6
	24	30
24341-000224	12	13
	24	31
26023-040102	21	5
	26	7
26106-060082	14	14
	19	15
26106-060122	12	10
	19	16
	21	6
	23	5
	26	8
26106-060142	6	8
	18	14
	25	12

Parts No.	Fig. No.	Ref. No.
26106-060162	12	14
	17	20
26106-060202	5	16
	14	15
	18	15
	21	7
	23	6
	26	9
26106-060402	4	32
26106-060452	25	13
26106-060552	4	46
26106-080122	1	39
26106-080352	1	33
26106-080452	17	18
26106-100122	2	7
26106-100302	20	19
26117-050089	18	6
26216-080182	6	9
26226-060182	1	23
26226-060222	1	24
26226-060302	5	17
26226-060552	4	33
26306-080002	6	10
26347-060002	18	11
26366-060002	1	25
	4	34
	14	16
	17	19
26577-060142	23	7
26696-100002	25	10
26716-080002	20	20
26757-060002	25	11
26776-100002	18	23
	25	21
26856-060002	4	19
	23	23
26857-060002	18	12
29220-083200	22	8
714210-28510	11	1
714210-61701	12	16
714210-66100	18	2
71421C-23010	10	11
714220-22580	10	24
714220-22620	10	18
714220-22720	10	1
714239-51400	16	1
714239-53100	16	22
714870-22502	10	3
714870-22542	10	20
714870-22552	10	26

Parts No.	Fig. No.	Ref. No.
X2114274200	20	18
X2114715500	20	4
X2114811000	20	3
X211485016	20	11