

0CW10-M83700EN

P R E F A C E

1. This parts catalog is the 1st edition of L70N6FF1L1AA for FIAC.

Pub.No. : 0CW10-G83700

Published : April, 2013

2. Model name

Engine model	Vehicle	Vehicle made by
L70N6FF1L1AA	COMPRESSOR	FIAC

Directions for the Parts Catalog.

1. This Parts Catalog shows both standard and optional parts.
2. Parts may change without prior notice.
3. The following is an example of the Parts Catalog format.

REF.	LEV.	PARTS NO.	DESCRIPTION	Q'TY						I	R
				(A)	(B)	(C)	(D)	(E)	(F)		
1	1	729595-51390	FUEL INJECTION PUMP	1	1	1	1	1			1
1-1	1	729595-51391	FUEL INJECTION PUMP	1	1	1	1	1		N	1
		(A=E00185) (B=E00200)									
3	2	26022-060162	SCREW M 6X 16	9	9	9	9	9			
3-1	2	26022-060162	SCREW M 6X 16	4	4	4	4	4		K	
		(A=E00156) (B=E00156) (C=E00156) (D=E00156) (E=E00156)									
4	2	129470-51040	CAMSHAFT	1	1	1	1	1			
5	2	122710-51050	BEARING, ROLLER	2	2	2	2	2			
6	2	129470-51060	RETAINER	1	1	1	1	1			

Remarks
(1) BOOST COMPEMSATOR TYPE. OPTIONAL PART, TO E00155,(4JH-DT, 4JH-DTZ

① Ref. No.

The Ref. No. listed may not be in accordance with the illustration Ref. No.

(Ex.) Illustration No.

List Ref No.

1 1 (Before change) → 1-1 (After change)

For interchangeable symbols N, R and K, illustrations for new parts may be abbreviated.

② Lev. (Level)

Level indication

The numbers below indicate the level of relativity towards the main part.

1 ---- Main parts (Assembly parts)

2 ---- Sub component included in " 1 ".

3 ---- Sub component included in " 2 ".

Note) Parts that are not for sale are partially illustrated but not listed.

③ Interchangeability Symbol

When a part change takes place, one of the following interchangeability symbols is indicated beside the part.

Symbol	Interchangeability	Contents note
N	Old $\begin{matrix} \leftarrow \text{Yes} \\ \text{No} \rightarrow \end{matrix}$ New	New Part is interchangeable for Old Part but Old Part is not interchangeable for New Part.
Q	Old $\begin{matrix} \leftarrow \text{No} \\ \text{Yes} \rightarrow \end{matrix}$ New	New Part is not interchangeable for Old Part but Old Part is interchangeable for New Part.
R	Old $\begin{matrix} \leftarrow \text{Yes} \\ \text{Yes} \rightarrow \end{matrix}$ New	New/ Old Parts are both interchangeable.
S	Old $\begin{matrix} \leftarrow \text{No} \\ \text{No} \rightarrow \end{matrix}$ New	New/ Old Parts are both not interchangeable.
W		Part newly added.
Z		Part discontinued.
F		Not interchangeable by a single part but interchangeable together with related parts.
K		Changes only for used parts quantities.

④ Effective Machine No.

When a part changes, the effective Machine No. will be indicated in the (A)-(F) column.

Product Symbol	Product No.	Product Symbol	Product No.
C	Clutch No. Compressor No.	F	Machine No. (Agricultural Equip.)
D	Drive No.	M	Machine No.
E	Engine No.		

Note 1) A date may follow the symbol. (Ex.) 1996.01

Note 2) "XXXXX" and "ZZZZZ" are for parts that could not be predicted or for engine models that could not be identified.

Note 3) (A=E00185) is the E (Engine Serial Number) for the column (A) model (in this case 4JH-DT) after the parts design change.

⑤ Remarks

Figures or alphabets (symbols) are entered in the remarks column.

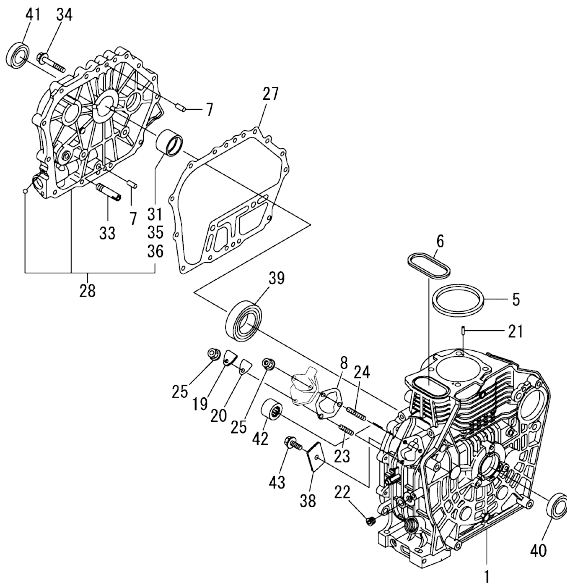
The comments (remarks) on parts that are indicated at the bottom of the illustration are the same symbols as those stated above.

Contents

0CW10-M83700

Fig. No.	Fig. Name	Fig. No.	Fig. Name
L70N6FF1L1AA			
1.	CYLINDER BLOCK		
2.	DRAIN PLUG		
3.	LABEL		
4.	CYLINDER HEAD & BONNET		
5.	AIR CLEANER		
6.	EXHAUST MUFFLER		
7.	CAMSHAFT		
8.	CRANKSHAFT		
9.	FLYWHEEL		
10.	PISTON & CONNECTING ROD		
11.	BALANCER SHAFT		
12.	LUB.OIL PUMP & GOVERNOR		
13.	OIL PRESSURE SWITCH CAP		
14.	COVER		
15.	COOLING FAN CASE		
16.	F.I.PUMP & F.I.VALVE		
17.	FUEL TANK & FUEL PIPE		
18.	SPEED CONTROL DEVICE		
19.	RECOIL STARTER		
20.	TOOL & GASKET SET		

Fig.1. CYLINDER BLOCK



(A)=L70N6FF1L1AA
(B)=
(C)=

(D)=
(E)=
(F)=

No.	Lev.	Parts No.	Description	Q'ty						I	R
				(A)	(B)	(C)	(D)	(E)	(F)		
1	1	114210-01020	BLOCK ASSY, CYLINDER	1							
5	1	114395-01341	GASKET, HEAD 0.5	1							
6	1	114399-01380	O-RING	1							
7	1	114299-01600	PIN, 8X12	2							
8	1	114299-01800	SHIM SET	1							
19	1	114299-01830	COVER	1							
20	1	114250-01841	GASKET	1							
21	1	22312-040080	PIN, PARALLEL M4X 8	2							
22	1	23875-020000	PLUG, R02	1							
23	1	26226-060182	STUD, M6X 18	1							
24	1	26226-060222	STUD, M6X 22	2							
25	1	26366-060002	NUT, M6	3							
27	1	114399-01410	GASKET, CRANK CASE	1							
28	1	114210-01450	COVER(E-D,CRANK CASE	1							
31	2	114350-02100	BEARING, MAIN	1							1
33	1	114299-35150	PIPE, OIL INLET	1							
34	1	26106-080352	BOLT, M8X 35 PLATED	15							
35	1	114350-02200	BEARING, 0.25 US	1							2
36	1	114350-02210	BEARING, 0.50 US	1							3
38	1	114299-02030	RETAINER, BEARING	1							
39	1	114350-02113	BEARING, B35-135G3C3	1							
40	1	160110-02220	SEAL, OIL	1							
41	1	160110-02220	SEAL, OIL	1							
42	1	24162-152116	BEARING, 152116	1							
43	1	26106-080122	BOLT, M8X 12 PLATED	1							

Remarks

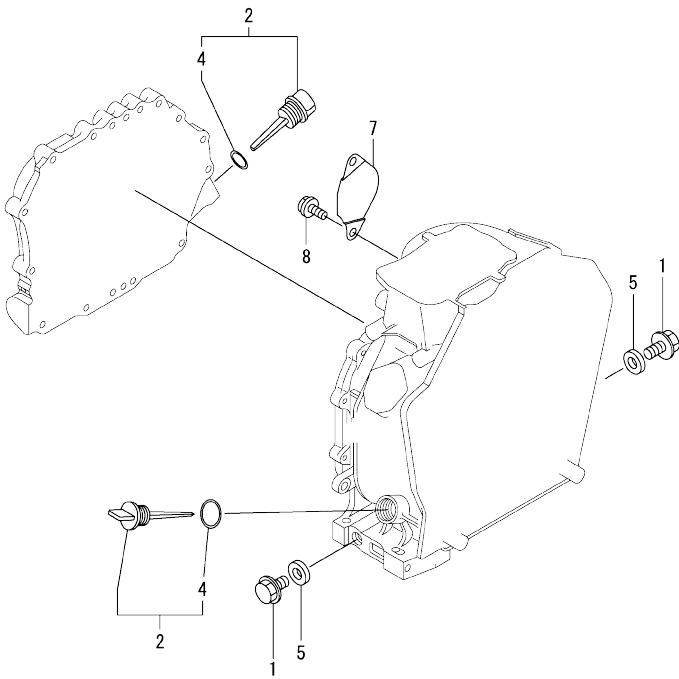
- (1)Spare parts.
- (2)Under sized(U.S.=0.25)parts.
- (3)Under sized(U.S.=0.50)parts.

0CW10-M83700 L70N6FF1L1AA
 Fig.2. DRAIN PLUG

0CW10-M83700 Fig.2

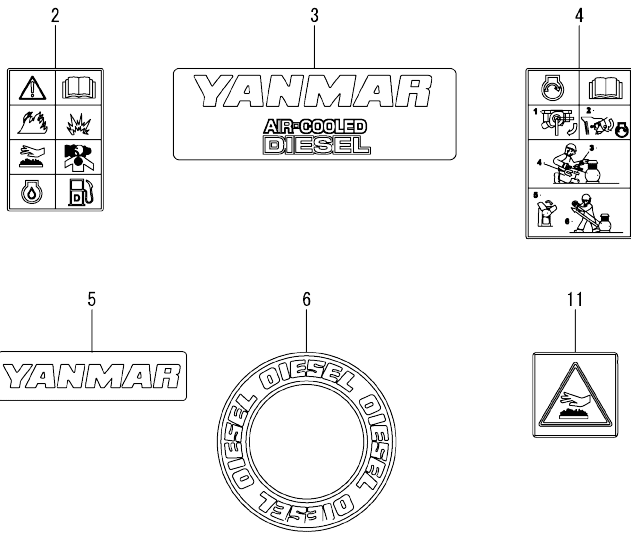
(A)=L70N6FF1L1AA
 (B)=
 (C)=

(D)=
 (E)=
 (F)=



No.	Lev.	Parts No.	Description	Q'ty					
				(A)	(B)	(C)	(D)	(E)	(F)
1	1	114299-01690	PLUG M16	2					
2	1	114699-01760	CAP ASSY	2					
4	2	114299-01950	O-RING, 18	2					
5	1	22190-160002	WASHER, SEAL 16	2					
7	1	114399-01700	COVER, STARTER	1					
8	1	26106-100122	BOLT, M10X 12 PLATED	2					

Fig.3. LABEL

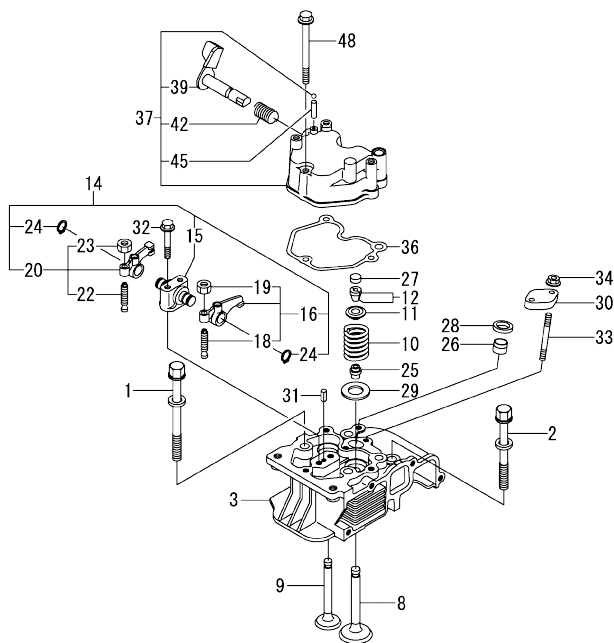


No.	Lev.	Parts No.	Description	Q'ty					
				(A)	(B)	(C)	(D)	(E)	(F)
2	1	114220-07100	LABEL, CAUTION	1					
3	1	114299-07101	LABEL, YANMAR MARK A	1					
4	1	114220-07110	LABEL HOW TO START-E	1					
5	1	114299-07111	LABEL, YANMAR MARK B	1					
6	1	114299-07160	LABEL, DIESEL	1					
11	1	114220-07130	LABEL, HOT SURFACE	1					

(A)=L70N6FF1L1AA
(B)=
(C)=

(D)=
(E)=
(F)=

Fig.4. CYLINDER HEAD & BONNET



(A)=L70N6FF1L1AA
(B)=
(C)=

(D)=
(E)=
(F)=

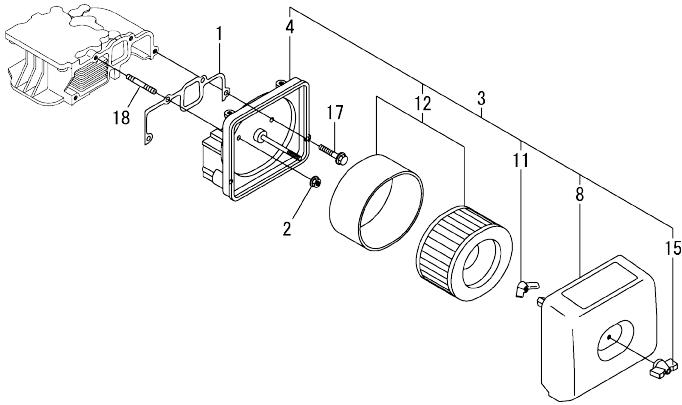
No.	Lev.	Parts No.	Description	Qty						I	R
				(A)	(B)	(C)	(D)	(E)	(F)		
1	1	114210-01200	BOLT, CYL HEAD A	2							
2	1	114210-01210	BOLT, CYL HEAD B	2							
3	1	11422C-11020	HEAD ASSY, CYLINDER	1							
8	1	11421C-11100	VALVE, INTAKE	1							
9	1	11421C-11110	VALVE, EXHAUST	1							
10	1	114210-11120	SPRING, VALVE	2							
11	1	114210-11180	RETAINER, SPRING	2							
12	1	114210-11930	COTTER ASSY	2							
14	1	11421C-11250	SUPPORT ASSY, ARM	1							
15	2	11421C-11260	SUPPORT, ROCKER ARM	1							
16	2	11421C-11650	ARM ASSY, ROCKER	1							
18	3	114250-11240	SCREW, VALVE ADJUST	1							
19	3	26856-060002	NUT, M6	1							
20	2	11421C-11660	ARM ASSY, ROCKER	1							
22	3	114250-11240	SCREW, VALVE ADJUST	1							
23	3	26856-060002	NUT, M6	1							
24	2	22242-000120	RING, 12	2							
25	1	114350-11341	SEAL, VALVE STEM	2							
26	1	114240-11450	PROTECTOR, NOZZLE	1							
27	1	105010-11490	CAP, VALVE	2							
28	1	114240-11550	SEAT, NOZZLE	1							
29	1	114299-11600	WASHER, VALVE SPRING	2							
30	1	114210-11901	RETAINER, NOZZLE	1							
31	1	22351-040008	PIN, SPRING 4.0X 8	1							
32	1	26106-060402	BOLT, M6X 40 PLATED	2							
33	1	26226-060552	STUD, M6X 55	2							
34	1	26366-060002	NUT, M6	2							
36	1	114210-11310	GASKET, BONNET	1							
37	1	114210-11950	BONNET ASSY, HEAD	1							
39	2	114210-03590	DECOMPRESSION ASSY	1							
42	2	114299-03640	SPRING, DECOMPRESSION	1							
45	2	22312-030160	PIN, PARALLEL M3X16	1							
48	1	26106-060552	BOLT, M6X 55 PLATED	3							

0CW10-M83700 L70N6FF1L1AA
 Fig.5. AIR CLEANER

0CW10-M83700 Fig.5

(A)=L70N6FF1L1AA
 (B)=
 (C)=

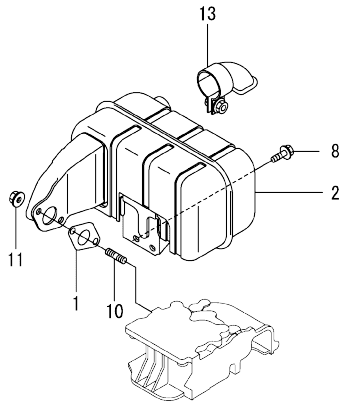
(D)=
 (E)=
 (F)=



No.	Lev.	Parts No.	Description	Q'ty					
				(A)	(B)	(C)	(D)	(E)	(F)
1	1	114210-12210	GASKET, AIR CLEANER	1					
2	1	114299-12300	NUT	3					
3	1	114220-12550	CLEANER ASSY, AIR	1					
4	2	114210-12010	BODY ASSY, AIR CLNR	1					
8	2	114220-12500	COVER ASSY, AIR CLNR	1					
11	2	114210-12560	NUT, WING	1					
12	2	114210-12590	ELEMENT ASSY	1					
15	2	114210-12600	LOCKING KNOB	1					
17	1	26106-060202	BOLT, M6X 20 PLATED	1					
18	1	26226-060302	STUD, M6X 30	3					

0CW10-M83700 L70N6FF1L1AA

Fig.6. EXHAUST MUFFLER



0CW10-M83700 Fig.6

(A)=L70N6FF1L1AA
(B)=
(C)=

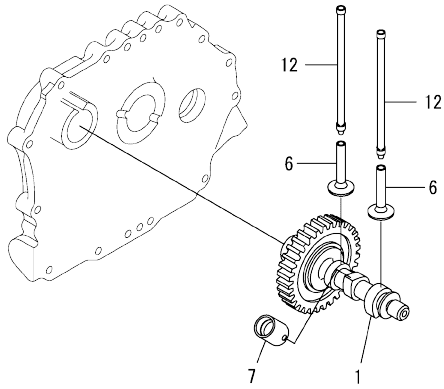
(D)=
(E)=
(F)=

No.	Lev.	Parts No.	Description	Q'ty						I	R
				(A)	(B)	(C)	(D)	(E)	(F)		
1	1	114299-13200	GASKET, MUFFLER	1							
2	1	11421C-13500	MUFFLER ASSY	1							
8	1	26106-060142	BOLT, M6X 14 PLATED	2							
10	1	26216-080182	STUD, M8X 18	2							
11	1	26306-080002	NUT, M8	2							
13	1	114299-13800	EXTENSION ASSY	1							

0CW10-M83700 L70N6FF1L1AA

Fig.7. CAMSHAFT

0CW10-M83700 Fig.7

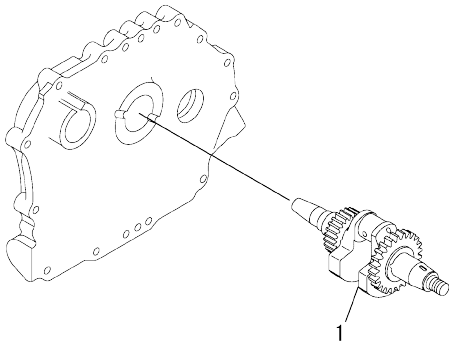


(A)=L70N6FF1L1AA
(B)=
(C)=

(D)=
(E)=
(F)=

No.	Lev.	Parts No.	Description	Q'ty					
				(A)	(B)	(C)	(D)	(E)	(F)
1	1	71422C-14580	CAMSHAFT ASSY	1					
6	1	114210-14200	TAPPET	2					
7	1	114210-14300	TAPPET ASSY, ROLLER	1					
12	1	114210-14400	ROD ASSY, PUSH	2					

0CW10-M83700 L70N6FF1L1AA
 Fig.8. CRANKSHAFT



0CW10-M83700 Fig.8

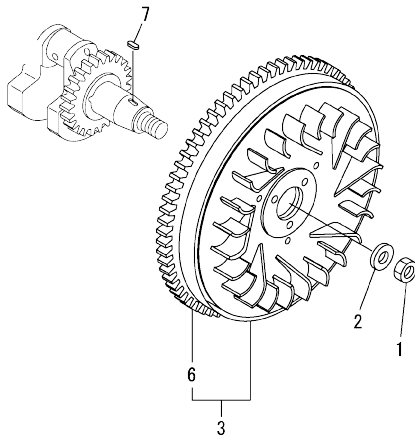
(A)=L70N6FF1L1AA
 (B)=
 (C)=

(D)=
 (E)=
 (F)=

No.	Lev.	Parts No.	Description	Q'ty						I	R
				(A)	(B)	(C)	(D)	(E)	(F)		
1	1	114210-21760	CRANKSHAFT ASSY,E-DI	1							

0CW10-M83700 L70N6FF1L1AA

Fig.9. FLYWHEEL



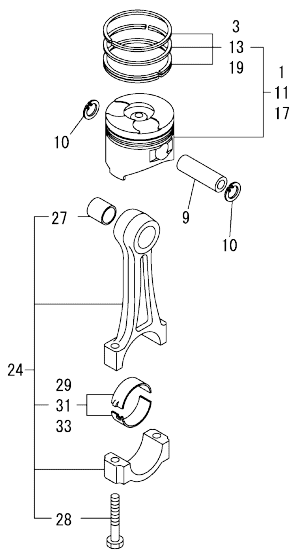
0CW10-M83700 Fig.9

(A)=L70N6FF1L1AA
(B)=
(C)=

(D)=
(E)=
(F)=

No.	Lev.	Parts No.	Description	Q'ty						I	R
				(A)	(B)	(C)	(D)	(E)	(F)		
1	1	114299-21220	NUT	1							
2	1	114299-21550	WASHER	1							
3	1	114399-21590	FLYWHEEL ASSY	1							
6	2	114399-21600	GEAR, RING	1							
7	1	22512-040120	KEY, 4X 12	1							

Fig.10. PISTON & CONNECTING ROD



(A)=L70N6FF1L1AA
(B)=
(C)=

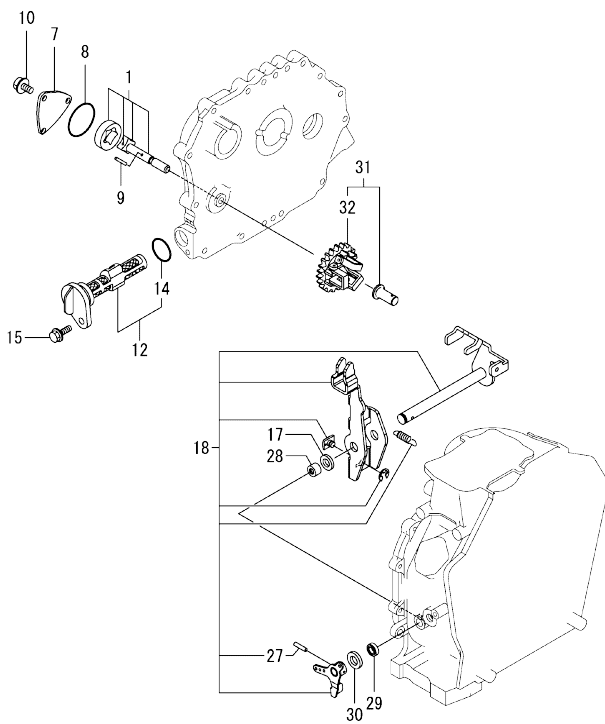
(D)=
(E)=
(F)=

No.	Lev.	Parts No.	Description	Q'ty						I	R
				(A)	(B)	(C)	(D)	(E)	(F)		
1	1	714220-22720	PISTON W/RINGS (D)	1							
3	2	714870-22502	RING SET, PISTON	1							
9	1	114399-22300	PIN, PISTON D=21	1							
10	1	22252-000210	RING, 21	2							
11	1	714220-22620	PISTON W/RING .25OS	1							1
13	2	714870-22542	RING SET, 0.25 OS	1							1
17	1	714220-22580	PISTON W/RING .50OS	1							2
19	2	714870-22552	RING SET, 0.50 OS	1							2
24	1	71421C-23010	ROD ASSY, CONNECTING	1							
27	3	114380-23100	BEARING, PISTON PIN	1							
28	3	118200-23200	BOLT, CONNECTING ROD	2							
29	2	114210-23600	BEARING, CRANK PIN	1							
31	1	114210-23610	BEARING,PIN(U.S.=0.25	1							3
33	1	114210-23620	BEARING,PIN(U.S.=0.50	1							4

Remarks

- (1)Over sized(U.S.=0.25)parts.
- (2)Over sized(U.S.=0.50)parts.
- (3)Under sized(U.S.=0.25)parts.
- (4)Under sized(U.S.=0.50)parts.

Fig.12. LUB.OIL PUMP & GOVERNOR



(A)=L70N6FF1L1AA
(B)=
(C)=

(D)=
(E)=
(F)=

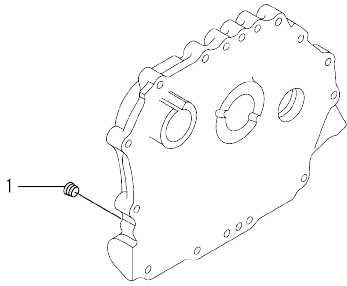
No.	Lev.	Parts No.	Description	Q'ty						I	R
				(A)	(B)	(C)	(D)	(E)	(F)		
1	1	114250-32010	PUMP ASSY, OIL	1							
7	1	114299-32070	COVER	1							
8	1	114299-32570	O-RING	1							
9	1	22312-030160	PIN, PARALLEL M3X16	1							
10	1	26106-060122	BOLT, M6X 12 PLATED	3							
12	1	114299-35110	FILTER ASSY, OIL	1							
14	2	24341-000224	O-RING, 1AS22.4	1							
15	1	26106-060162	BOLT, M6X 16 PLATED	1							
17	1	114299-61190	WASHER	1							
18	1	114211-61500	LEVER ASSY, GOVERNOR	1							1
27	2	22322-030200	PIN, TAPER 3X20	1							
28	1	114770-61520	BEARING, NEEDLE	2							
29	1	114299-61600	SEAL, OIL	1							
30	1	114770-61610	WASHER, THRUST	1							
31	1	714210-61701	GOVERNOR ASSY	1							
32	2	114210-61290	WEIGHT ASSY, GOVERNOR	1							

Remarks
(1)On a guarantee of quality component part shall not be sold.

N:Old $\frac{New}{Old}$ New, Q:Old $\frac{New}{Old}$ New, R:Old $\frac{New}{Old}$ New, S:Old $\frac{New}{Old}$ New, W:Add, Z:Discontinued, F:Interchangeable by set, K:Q'ty Change
Copyright (C) YANMAR CO., LTD. All Rights Reserved.

0CW10-M83700 L70N6FF1L1AA

Fig.13. OIL PRESSURE SWITCH CAP



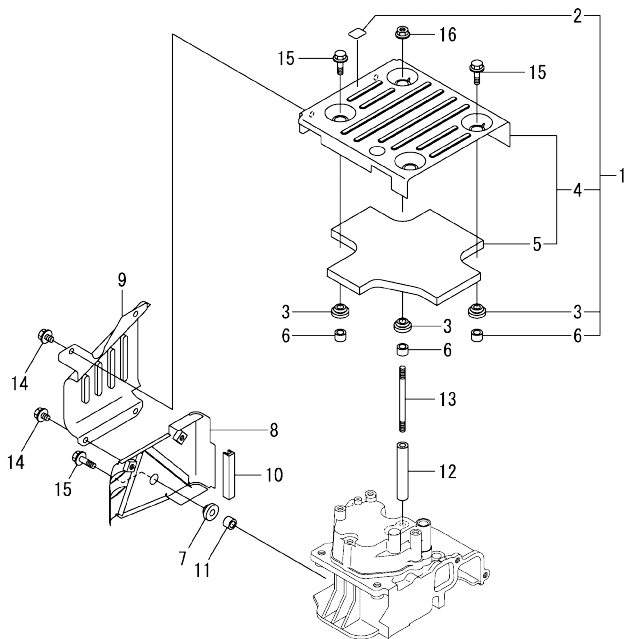
0CW10-M83700 Fig.13

(A)=L70N6FF1L1AA
(B)=
(C)=

(D)=
(E)=
(F)=

No.	Lev.	Parts No.	Description	Q'ty						I	R
				(A)	(B)	(C)	(D)	(E)	(F)		
1	1	23876-010000	PLUG, R01	1							

Fig.14. COVER

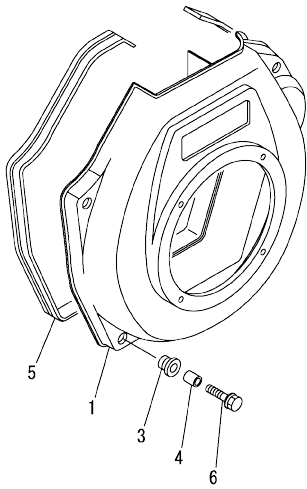


(A)=L70N6FF1L1AA
(B)=
(C)=

(D)=
(E)=
(F)=

No.	Lev.	Parts No.	Description	Q'ty						I	R
				(A)	(B)	(C)	(D)	(E)	(F)		
1	1	114220-45210	COVER ASSY, TOP	1							
2	2	114220-07120	LABEL, DECOMPRESSION	1							
3	2	114299-45220	GROMMET	4							
4	2	114210-45320	COVER, TOP	1							
5	3	114210-45310	DAMPER	1							
6	2	114399-45340	COLLAR	4							
7	1	114299-45220	GROMMET	1							
8	1	114210-45260	COVER B, SIDE (13)	1							
9	1	114210-45270	COVER A, SIDE (13)	1							
10	1	114399-45320	RUBBER, SEAL	1							
11	1	114399-45340	COLLAR	1							
12	1	114210-45350	SPACER, TOP COVER	1							
13	1	114210-45360	STUD BOLT, TOP COVER	1							
14	1	26106-060082	BOLT, M6X 8 PLATED	4							
15	1	26106-060202	BOLT, M6X 20 PLATED	4							
16	1	26366-060002	NUT, M6	1							

Fig.15. COOLING FAN CASE

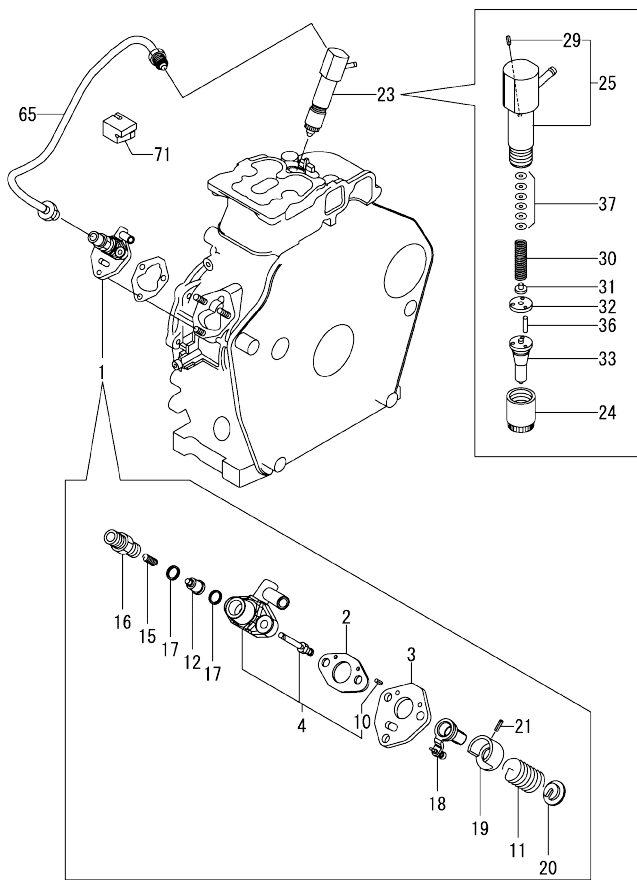


(A)=L70N6FF1L1AA
(B)=
(C)=

(D)=
(E)=
(F)=

No.	Lev.	Parts No.	Description	Q'ty						I	R
				(A)	(B)	(C)	(D)	(E)	(F)		
1	1	114210-45150	CASE, COOLING FAN	1							
3	1	114299-45301	RUBBER, CUSHION	4							
4	1	114299-45310	COLLAR	4							
5	1	114299-45331	SEAL, FAN CASE	1							
6	1	114299-45350	BOLT, FAN CASE	4							

Fig.16. F.I.PUMP & F.I.VALVE



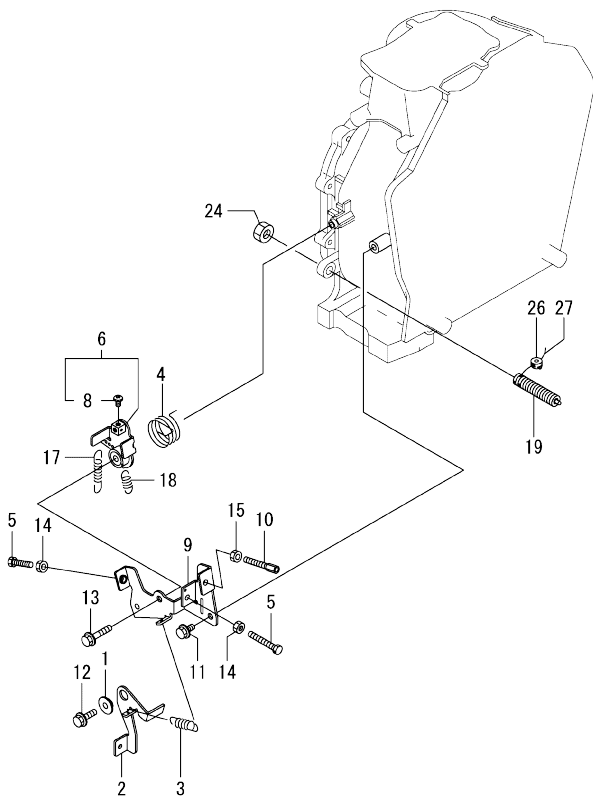
(A)=L70N6FF1L1AA
(B)=
(C)=

(D)=
(E)=
(F)=

No.	Lev.	Parts No.	Description	Q'ty						I	R
				(A)	(B)	(C)	(D)	(E)	(F)		
1	1	714239-51200	F.I.PUMP ASSY	1							
2	2	105546-51020	GASKET	1							
3	2	114250-51080	PLATE	1							
4	2	114239-51100	BODY ASSY, PUMP	1							
10	4	22351-020006	PIN, SPRING 2.0X 6	2							
11	2	114250-51160	SPRING, PLUNGER	1							
12	2	114650-51300	VALVE ASSY, DELIVERY	1							
15	2	105546-51330	SPRING, DELIVERY	1							
16	2	114250-51340	HOLDER, DELIVERY	1							
17	2	124550-51350	GASKET, DELIVERY	2							
18	2	114250-51500	LEVER, CONTROL	1							
19	2	114250-51640	SEAT, SPRING A	1							
20	2	114250-51650	SEAT, SPRING B	1							
21	2	22351-030008	PIN, SPRING 3.0X 8	1							
23	1	714239-53200	VALVE ASSY, INJECTION	1							
24	2	114250-53080	NUT, NOZZLE D16.95	1							
25	2	114339-53100	HOLDER ASSY, NOZZLE	1							
29	3	22351-025005	PIN, SPRING 2.5X 6	1							
30	2	114250-53120	SPRING, NOZZLE	1							
31	2	114250-53130	SEAT, SPRING	1							
32	2	114250-53140	PLATE	1							
33	2	114239-53200	NOZZLE ASSY	1							
36	2	114250-53210	PIN	2							
37	2	119803-53400	SHIM SET	1							
65	1	114210-59800	PIPE ASSY, INJECTION	1							
71	1	114210-59850	SUPPORT, INJ. PIPE	1							

N:Old $\frac{REV}{100}$ New, Q:Old $\frac{REV}{100}$ New, R:Old $\frac{REV}{100}$ New, S:Old $\frac{REV}{100}$ New, W:Add, Z:Discontinued, F:Interchangeable by set, K:Q'ty Change
Copyright (C) YANMAR CO., LTD. All Rights Reserved.

Fig.18. SPEED CONTROL DEVICE

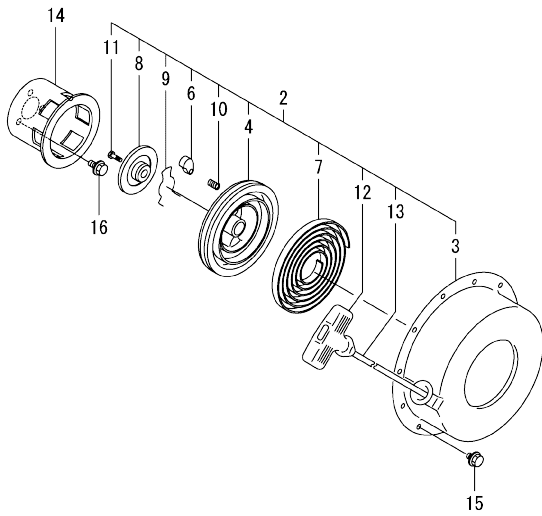


(A)=L70N6FF1L1AA
(B)=
(C)=

(D)=
(E)=
(F)=

No.	Lev.	Parts No.	Description	Q'ty						I	R
				(A)	(B)	(C)	(D)	(E)	(F)		
1	1	114654-66140	PIECE	1							
2	1	114650-66150	LEVER, STOP	1							
3	1	114268-66200	SPRING, RETURN	1							
4	1	114299-66250	SPRING, RETURN	1							
5	1	114299-66440	BOLT, ADJUSTING	2							
6	1	114652-66871	LEVER, REGULATOR	1							
8	2	105225-66990	SCREW, M5X8.5	1							
9	1	114652-66881	BRACKET	1							
10	1	114299-67080	BOLT, ADJUSTING	1							
11	1	26106-060122	BOLT, M6X 12 PLATED	1							
12	1	26106-060202	BOLT, M6X 20 PLATED	1							
13	1	26106-060302	BOLT, M6X 30 PLATED	1							
14	1	26757-060002	NUT, LOCK M6	2							
15	1	26757-060002	NUT, LOCK M6	1							
17	1	114220-66010	SPRING, REGULATOR	1							
18	1	114299-66201	SPRING, RETURN	1							
19	1	114220-66600	LIMITER ASSY, FUEL	1							
24	1	26776-100002	NUT, LOCK M10	1							
26	1	114780-61090	TIN	2							
27	1	22451-060000	WIRE, 0.6	2							

Fig.19. RECOIL STARTER



(A)=L70N6FF1L1AA
(B)=
(C)=

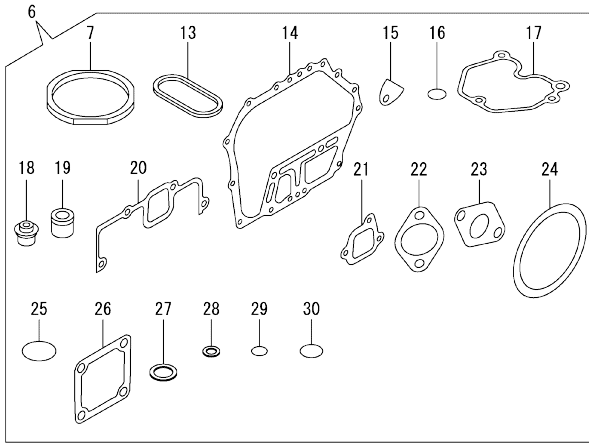
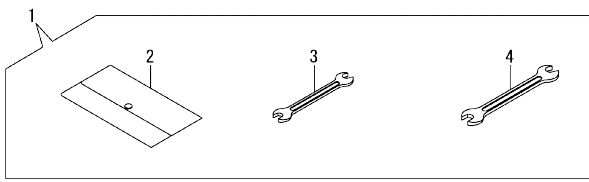
(D)=
(E)=
(F)=

No.	Lev.	Parts No.	Description	Q'ty					
				(A)	(B)	(C)	(D)	(E)	(F)
2	2	114399-76251	RECOIL STARTER(D)ASY	1					
3	3	114399-76510	CASE, STARTER	1					
4	3	114399-76521	REEL, RECOIL	1					
6	3	114399-76531	RATCHET	1					
7	3	114399-76540	SPRING, SPIRAL	1					
8	3	114399-76550	COVER	1					
9	3	114399-76560	SPRING	1					
10	3	114399-76570	SPRING, RETURN	1					
11	3	114399-76580	SCREW	1					
12	3	114399-76620	KNOB, STARTER	1					
13	3	114399-76630	ROPE, STARTER	1					
14	2	114399-76590	PULLEY, STARTER	1					
15	1	26106-060082	BOLT, M6X 8 PLATED	4					
16	1	26106-060122	BOLT, M6X 12 PLATED	3					

Fig.20. TOOL & GASKET SET

(A)=L70N6FF1L1AA
(B)=
(C)=

(D)=
(E)=
(F)=



No.	Lev.	Parts No.	Description	Q'ty						I	R
				(A)	(B)	(C)	(D)	(E)	(F)		
1	1	114299-92590	BOX, TOOL	1							
2	2	114299-92600	BAG, TOOL	1							
3	2	114299-92710	WRENCH	1							
4	2	114299-92720	WRENCH	1							
6	1	114220-92600	GASKET SET	1							1
7	2	114395-01331	GASKET, HEAD	1							
13	2	114399-01380	O-RING	1							
14	2	114399-01410	GASKET, CRANK CASE	1							
15	2	114250-01841	GASKET	1							
16	2	114299-01950	O-RING, 18	2							
17	2	114210-11310	GASKET, BONNET	1							
18	2	114350-11341	SEAL, VALVE STEM	2							
19	2	114771-11461	GASKET, NOZZLE	1							
20	2	114210-12210	GASKET, AIR CLEANER	1							
21	2	114299-12210	GASKET, AIR CLEANER	2							
22	2	114299-12920	GASKET, AIR CLEANER	1							
23	2	114299-13200	GASKET, MUFFLER	1							
24	2	114399-21980	GASKET	1							
25	2	114299-32570	O-RING	1							
26	2	129100-77510	GASKET	3							
27	2	22190-160002	WASHER, SEAL 16	2							
28	2	23414-080000	GASKET, 8X1.0	1							
29	2	24341-000150	O-RING, 1AS15.0	1							
30	2	24341-000224	O-RING, 1AS22.4	1							

Remarks

(1)Optional parts.

Parts No. Index

Parts No.	Fig. No.	Ref. No.
105010-11490	4	27
105225-66990	18	8
105546-51020	16	2
105546-51330	16	15
114210-01020	1	1
114210-01200	4	1
114210-01210	4	2
114210-01450	1	28
114210-03590	4	39
114210-11120	4	10
114210-11180	4	11
114210-11310	4	36
	20	17
114210-11901	4	30
114210-11930	4	12
114210-11950	4	37
114210-12010	5	4
114210-12210	5	1
	20	20
114210-12560	5	11
114210-12590	5	12
114210-12600	5	15
114210-14200	7	6
114210-14300	7	7
114210-14400	7	12
114210-21760	8	1
114210-23600	10	29
114210-23610	10	31
114210-23620	10	33
114210-28050	11	6
114210-45150	15	1
114210-45260	14	8
114210-45270	14	9
114210-45310	14	5
114210-45320	14	4
114210-45350	14	12
114210-45360	14	13
114210-55210	17	3
114210-55230	17	4
114210-55810	17	14
114210-59800	16	65
114210-59850	16	71
114210-61290	12	32
114211-61500	12	18
11421C-11100	4	8
11421C-11110	4	9
11421C-11250	4	14
11421C-11260	4	15
11421C-11650	4	16
11421C-11660	4	20

Parts No.	Fig. No.	Ref. No.
11421C-13500	6	2
11421C-55710	17	7
114220-07100	3	2
114220-07110	3	4
114220-07120	14	2
114220-07130	3	11
114220-12500	5	8
114220-12550	5	3
114220-45210	14	1
114220-66010	18	17
114220-66600	18	19
114220-92600	20	6
11422C-11020	4	3
114239-51100	16	4
114239-53200	16	33
114239-59300	17	23
114239-59301	17	23 -1
114240-11450	4	26
114240-11550	4	28
114250-01841	1	20
	20	15
114250-11240	4	18
		22
114250-32010	12	1
114250-51080	16	3
114250-51160	16	11
114250-51340	16	16
114250-51500	16	18
114250-51640	16	19
114250-51650	16	20
114250-53080	16	24
114250-53120	16	30
114250-53130	16	31
114250-53140	16	32
114250-53210	16	36
114250-55121	17	1
114250-55130	17	2
114250-55201	17	13
114250-55301	17	5
114268-66200	18	3
114299-01600	1	7
114299-01690	2	1
114299-01800	1	8
114299-01830	1	19
114299-01950	2	4
	20	16
114299-02030	1	38
114299-03640	4	42
114299-07101	3	3
114299-07111	3	5

Parts No.	Fig. No.	Ref. No.
114299-07160	3	6
114299-11600	4	29
114299-12210	20	21
114299-12300	5	2
114299-12920	20	22
114299-13200	6	1
	20	23
114299-13800	6	13
114299-21220	9	1
114299-21550	9	2
114299-32070	12	7
114299-32570	12	8
	20	25
114299-35110	12	12
114299-35150	1	33
114299-45220	14	3
		7
114299-45301	15	3
114299-45310	15	4
114299-45331	15	5
114299-45350	15	6
114299-55040	17	11
114299-55080	17	9
114299-55100	17	12
114299-61190	12	17
114299-61600	12	29
114299-66201	18	18
114299-66250	18	4
114299-66440	18	5
114299-67080	18	10
114299-92590	20	1
114299-92600	20	2
114299-92710	20	3
114299-92720	20	4
114339-53100	16	25
114350-02100	1	31
114350-02113	1	39
114350-02200	1	35
114350-02210	1	36
114350-11341	4	25
	20	18
	10	27
114380-23100	20	7
114395-01331	20	7
114395-01341	1	5
114399-01380	1	6
	20	13
	1	27
114399-01410	20	14
	2	7
114399-01700	2	7
114399-21590	9	3

Parts No.	Fig. No.	Ref. No.
114399-21600	9	6
114399-21980	20	24
114399-22300	10	9
114399-45320	14	10
114399-45340	14	6
		11
114399-76251	19	2
114399-76510	19	3
114399-76521	19	4
114399-76531	19	6
114399-76540	19	7
114399-76550	19	8
114399-76560	19	9
114399-76570	19	10
114399-76580	19	11
114399-76590	19	14
114399-76620	19	12
114399-76630	19	13
114650-51300	16	12
114650-59060	17	25
114650-59061	17	25 -1
114650-66150	18	2
114652-59310	17	27
114652-66871	18	6
114652-66881	18	9
114654-66140	18	1
114699-01760	2	2
114770-61520	12	28
114770-61610	12	30
114771-11461	20	19
114780-59010	17	20
114780-59060	17	21
114780-61090	18	26
118200-23200	10	28
119803-53400	16	37
121750-59890	17	28
124066-59100	17	26
124550-51350	16	17
124722-59050	17	24
129100-77510	20	26
160110-02220	1	40
		41
22117-080000	17	15
22190-160002	2	5
	20	27
22242-000120	4	24
22252-000210	10	10
22312-030160	4	45
	12	9
22312-040080	1	21

Parts No. Index

Parts No.	Fig. No.	Ref. No.
22322-030200	12	27
22351-020006	16	10
22351-025005	16	29
22351-030008	16	21
22351-040008	4	31
22451-060000	18	27
22512-040120	9	7
23080-014000	17	22
23414-080000	17	10
	20	28
23875-020000	1	22
23876-010000	13	1
24162-152116	1	42
24341-000150	17	6
	20	29
24341-000224	12	14
	20	30
26106-060082	14	14
	19	15
26106-060122	12	10
	18	11
	19	16
26106-060142	6	8
26106-060162	12	15
	17	16
26106-060202	5	17
	14	15
	18	12
26106-060302	18	13
26106-060402	4	32
26106-060552	4	48
26106-080122	1	43
26106-080352	1	34
26106-080452	17	17
26106-100122	2	8
26216-080182	6	10
26226-060182	1	23
26226-060222	1	24
26226-060302	5	18
26226-060552	4	33
26306-080002	6	11
26366-060002	1	25
	4	34
	14	16
	17	18
26757-060002	18	14
		15
26776-100002	18	24
26856-060002	4	19
		23

Parts No.	Fig. No.	Ref. No.
714210-28510	11	1
714210-61701	12	31
71421C-23010	10	24
714220-22580	10	17
714220-22620	10	11
714220-22720	10	1
71422C-14580	7	1
714239-51200	16	1
714239-53200	16	23
714870-22502	10	3
714870-22542	10	13
714870-22552	10	19

Parts No.	Fig. No.	Ref. No.
-----------	----------	----------

Parts No.	Fig. No.	Ref. No.
-----------	----------	----------