

0CD11-M09400EN

P R E F A C E

1. This parts catalog is the 1st edition of L70N6-MEMA for MATSUSAKA ENGINEERING.

Pub.No. : 0CD11-G09400

Published : December, 2009

2. Model name

Engine model	Vehicle	Vehicle made by
L70N6-MEMA	FRESH WATER PUMP	MATSUSAKA ENGINEERING

Directions for the Parts Catalog.

1. The parts stipulated in this Parts Catalog are not necessarily standard equipped parts.
2. Parts may change without prior notice.
3. The following is an example of the Parts Catalog format.

REF.	LEV.	PARTS NO.	DESCRIPTION	Q'TY						I	R
				(A)	(B)	(C)	(D)	(E)	(F)		
1	1	729595-51390	FUEL INJECTION PUMP	1	1	1	1	1			1
1-1	1	729595-51391	FUEL INJECTION PUMP	1	1	1	1	1		N	1
		(A=E00185) (B=E00200)									
3	2	26022-060162	SCREW M 6X 16	9	9	9	9	9			
3-1	2	26022-060162	SCREW M 6X 16	4	4	4	4	4		K	
		(A=E00156) (B=E00156) (C=E00156) (D=E00156) (E=E00156)									
4	2	129470-51040	CAMSHAFT	1	1	1	1	1			
5	2	122710-51050	BEARING, ROLLER	2	2	2	2	2			
6	2	129470-51060	RETAINER	1	1	1	1	1			

Remarks
(1) BOOST COMPEMSATOR TYPE. OPTIONAL PART, TO E00155,(4JH-DT, 4JH-DTZ

① Ref. No.

The Ref. No. listed may not be in accordance with the illustration Ref. No.

(Ex.) Illustration No.

List Ref No.

1 1 (Before change) → 1-1 (After change)

For interchangeable symbols N, R and K, illustrations for new parts may be abbreviated.

② Lev. (Level)

Level indication

The numbers below indicate the level of relativity towards the main part.

1 ---- Main parts (Assembly parts)

2 ---- Sub component included in " 1 ".

3 ---- Sub component included in " 2 ".

Note) Parts that are not for sale are partially illustrated but not listed.

③ Interchangeability Mark

When a part change takes place, one of the following interchangeability symbols is indicated beside the part.

Symbol	Interchangeability	Contents note
N	Old $\begin{matrix} \leftarrow \text{Yes} \\ \text{No} \rightarrow \end{matrix}$ New	New Part is interchangeable for Old Part but Old Part is not interchangeable for New Part.
Q	Old $\begin{matrix} \leftarrow \text{No} \\ \text{Yes} \rightarrow \end{matrix}$ New	New Part is not interchangeable for Old Part but Old Part is interchangeable for New Part.
R	Old $\begin{matrix} \leftarrow \text{Yes} \\ \text{Yes} \rightarrow \end{matrix}$ New	New/ Old Parts are both interchangeable.
S	Old $\begin{matrix} \leftarrow \text{No} \\ \text{No} \rightarrow \end{matrix}$ New	New/ Old Parts are both not interchangeable.
W		Part newly added.
Z		Part discontinued.
F		Not interchangeable by a single part but interchangeable together with related parts.
K		Changes only for used parts quantities.

④ Effective Machine No.

When a part changes, the effective Machine No. will be indicated in the (A)-(F) column.

Product Symbol	Product No.	Product Symbol	Product No.
C	Clutch No. Compressor No.	F	Machine No. (Agricultural Equip.)
D	Drive No.	M	Machine No.
E	Engine No.		

Note 1) A date may follow the symbol. (Ex.) 1996.01

Note 2) "XXXXX" and "ZZZZZ" are for parts that could not be predicted or for engine models that could not be identified.

Note 3) (A=E00185) is the E (Engine Serial Number) for the column (A) model (in this case 4JH-DT) after the parts design change.

⑤ Remarks Mark

Figures or alphabets (symbols) are entered in the remarks column.

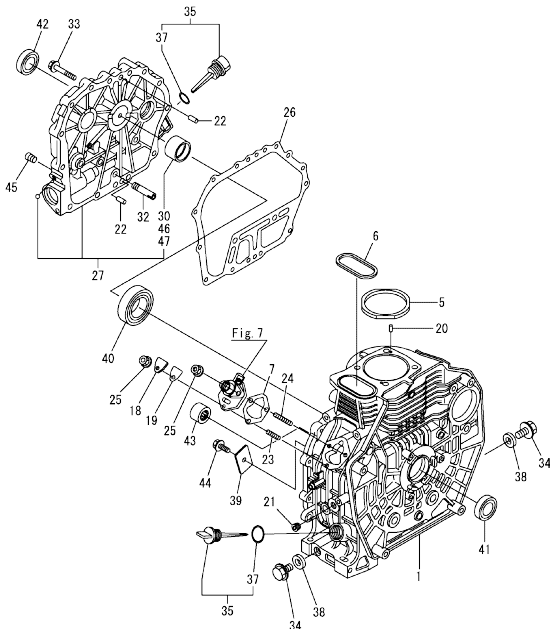
The comments (remarks) on parts that are indicated at the bottom of the illustration are the same symbols as those stated above.

Contents

Fig. No.	Fig. Name	Fig. No.	Fig. Name
L70N6-MEMA			
1.	CYLINDER BLOCK		
2.	CYLINDER HEAD & BONNET		
3.	AIR CLEANER & MUFFLER		
4.	CRANKSHAFT, PISTON & CAMSHAFT		
5.	LUB.OIL PUMP & GOVERNOR		
6.	COOLING & STARTING DEVICE		
7.	F.I.PUMP & F.I.VALVE		
8.	FUEL TANK & FUEL PIPE		
9.	STARTING MOTOR & DYNAMO		
10.	TOOL, LABEL & GASKET SET		

OCD11-M09400

Fig.1. CYLINDER BLOCK



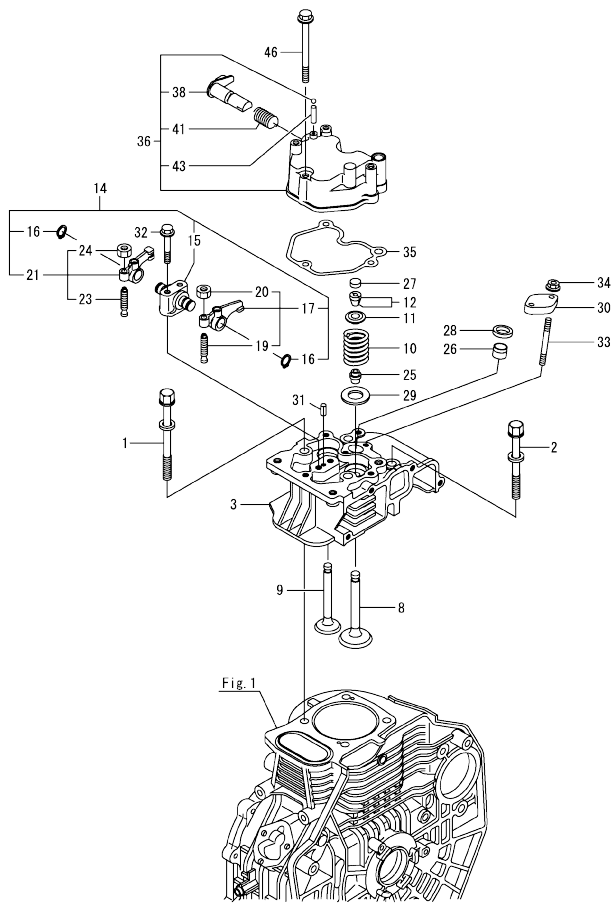
No.	Lev.	Parts No.	Description	Q'ty						I	R
				(A)	(B)	(C)	(D)	(E)	(F)		
1	1	11421C-01020	BLOCK ASSY, CYLINDER	1							
5	1	114871-01340	GASKET, HEAD T=0.5	1							
6	1	114350-01380	O-RING	1							
7	1	114250-01800	SHIM SET	1							
18	1	114250-01830	COVER	1							
19	1	114250-01841	GASKET	1							
20	1	22312-040080	PIN, PARALLEL M4X 8	2							
21	1	23875-020000	PLUG, R02	1							
22	1	114270-01600	PIN, M8X12	2							
23	1	26226-060182	STUD, M6X 18	1							
24	1	26226-060222	STUD, M6X 22	2							
25	1	26366-060002	NUT, M6	3							
26	1	114350-01412	GASKET, CRANK CASE	1							
27	1	11421C-01450	COVER(E-D,CRANK CASE	1							
30	2	114350-02100	BEARING, MAIN	1							1
32	1	114250-35150	PIPE, OIL INLET	1							
33	1	26106-080352	BOLT, M8X 35 PLATED	15							
34	1	105425-01690	PLUG, 16	2							
35	1	114699-01760	CAP ASSY	2							
37	2	114299-01950	O-RING, 18	2							
38	1	22190-160002	WASHER, SEAL 16	2							
39	1	114299-02030	RETAINER, BEARING	1							
40	1	114350-02113	BEARING, B35-135G3C3	1							
41	1	160110-02220	SEAL, OIL	1							
42	1	160110-02220	SEAL, OIL	1							
43	1	24162-152116	BEARING, 152116	1							
44	1	26106-080122	BOLT, M8X 12 PLATED	1							
45	1	23876-010000	PLUG, R01	1							
46	1	114350-02200	BEARING, 0.25 US	1							2
47	1	114350-02210	BEARING, 0.50 US	1							3

Remarks

- (1) Repair parts.
- (2) Under sized(U.S.=0.25)parts.
- (3) Under sized(U.S.=0.50)parts.

N:Old $\frac{100}{100}$ New, Q:Old $\frac{100}{100}$ New, R:Old $\frac{100}{100}$ New, S:Old $\frac{100}{100}$ New, W:Add, Z:Discontinued, F:Interchangeable by set, K:Q'ty Change
 Copyright (C) YANMAR CO., LTD. All Rights Reserved.

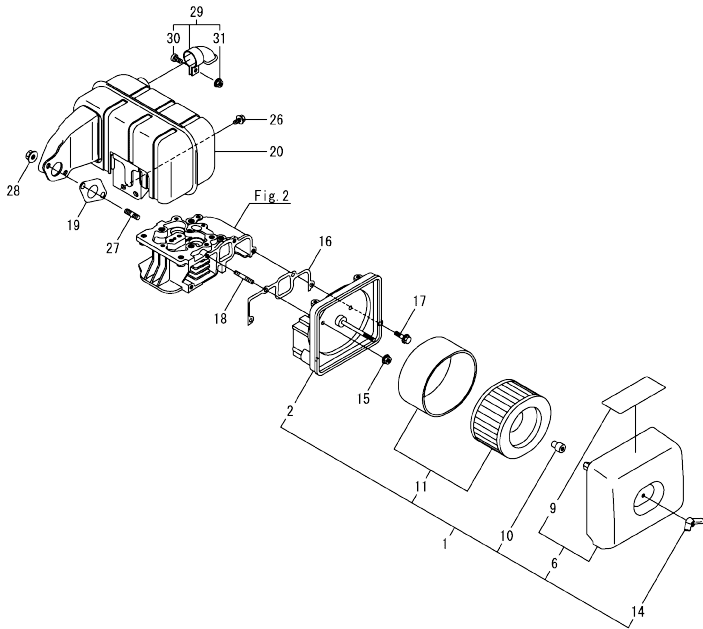
Fig.2. CYLINDER HEAD & BONNET



No.	Lev.	Parts No.	Description	Q'ty						I	R
				(A)	(B)	(C)	(D)	(E)	(F)		
1	1	114210-01200	BOLT, CYL.HEAD A	2							
2	1	114210-01210	BOLT, CYL.HEAD B	2							
3	1	11422C-11020	HEAD ASSY, CYLINDER	1							
8	1	11421C-11100	VALVE, INTAKE	1							
9	1	11421C-11110	VALVE, EXHAUST	1							
10	1	114210-11120	SPRING, VALVE	2							
11	1	114210-11180	RETAINER, SPRING	2							
12	1	114210-11930	COTTER ASSY	2							
14	1	11421C-11250	SUPPORT ASSY, ARM	1							
15	2	11421C-11260	SUPPORT, ROCKER ARM	1							
16	2	22242-000120	RING, 12	2							
17	2	11421C-11650	ARM ASSY, ROCKER	1							
19	3	114250-11240	SCREW, VALVE ADJUST	1							
20	3	26856-060002	NUT, M6	1							
21	2	11421C-11660	ARM ASSY, ROCKER	1							
23	3	114250-11240	SCREW, VALVE ADJUST	1							
24	3	26856-060002	NUT, M6	1							
25	1	114350-11340	SEAL, VALVE STEM	2							
26	1	114339-11451	PROTECTOR, NOZZLE	1							
27	1	105010-11490	CAP, VALVE	2							
28	1	114339-11551	SEAT, NOZZLE	1							
29	1	114250-11600	WASHER	2							
30	1	114210-11901	RETAINER, NOZZLE	1							
31	1	22351-040008	PIN, SPRING 4.0X 8	1							
32	1	26106-060402	BOLT, M6X 40 PLATED	2							
33	1	26226-060552	STUD, M6X 55	2							
34	1	26366-060002	NUT, M6	2							
35	1	114210-11310	GASKET, BONNET	1							
36	1	11421C-11950	BONNET ASSY, HEAD	1							
38	2	114210-03590	DECOMPRESSION ASSY	1							
41	2	114299-03640	SPRING, DECOMPRESSION	1							
43	2	22312-030160	PIN, PARALLEL M3X16	1							
46	1	26106-060552	BOLT, M6X 55 PLATED	3							

OCD11-M09400

Fig.3. AIR CLEANER & MUFFLER

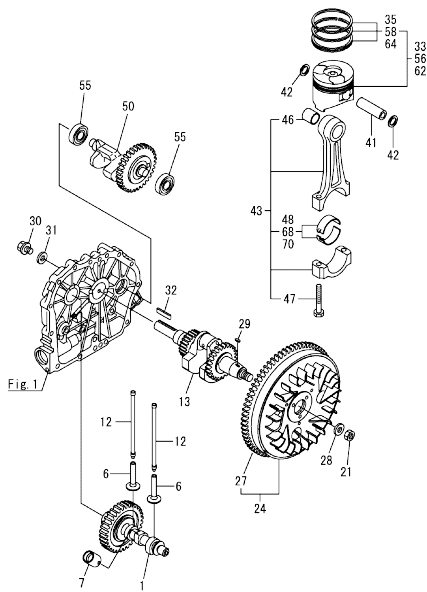


No.	Lev.	Parts No.	Description	Q'ty						I	R
				(A)	(B)	(C)	(D)	(E)	(F)		
1	1	114210-12511	CLEANER ASSY, AIR	1							
2	2	114210-12010	BODY ASSY, AIR CLNR	1							
6	2	114210-12500	COVER ASSY, AIR CLNR	1							
9	3	114210-12610	LABEL, AIR CLEANER	1							
10	2	114210-12560	NUT, WING	1							
11	2	114210-12590	ELEMENT ASSY	1							
14	2	114210-12600	LOCKING KNOB	1							
15	1	114250-12300	NUT	3							
16	1	114210-12210	GASKET, AIR CLEANER	1							
17	1	26106-060202	BOLT, M6X 20 PLATED	1							
18	1	26226-060302	STUD, M6X 30	3							
19	1	114250-13201	GASKET, MUFFLER	1							
20	1	11421C-13500	MUFFLER ASSY	1							
26	1	26106-060122	BOLT, M6X 12 PLATED	2							
27	1	26216-080182	STUD, M8X 18	2							
28	1	26306-080002	NUT, M8	2							
29	1	114288-13800	EXTENSION ASSY	1							
30	2	26554-060182	SCREW, M6X18	1							
31	2	26367-060002	NUT, M6	1							

N:Old $\frac{100}{100}$ New, Q:Old $\frac{100}{100}$ New, R:Old $\frac{100}{100}$ New, S:Old $\frac{100}{100}$ New, W:Add, Z:Discontinued, F:Interchangeable by set, K:Qty Change
 Copyright (C) YANMAR CO., LTD. All Rights Reserved.

OCD11-M09400

Fig.4. CRANKSHAFT, PISTON & CAMSHAFT



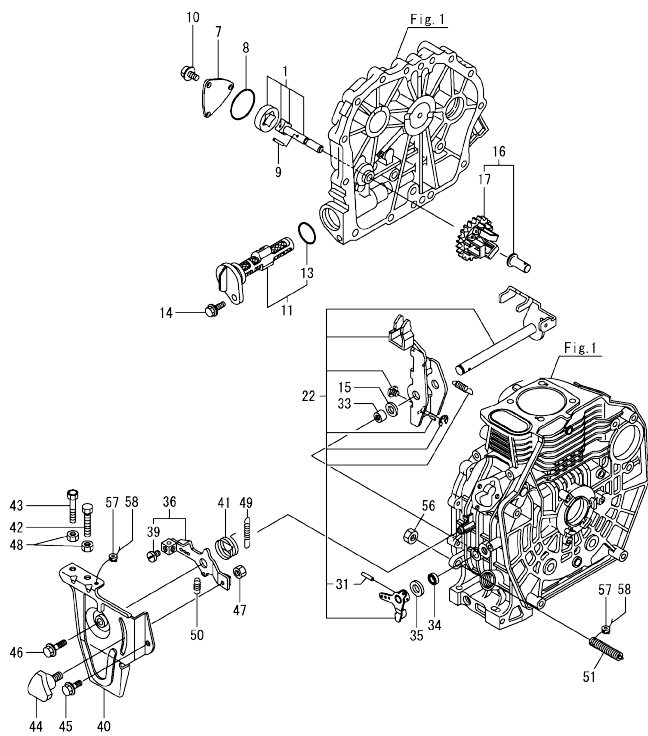
No.	Lev.	Parts No.	Description	Q'ty						I	R
				(A)	(B)	(C)	(D)	(E)	(F)		
1	1	71422C-14581	CAMSHAFT ASSY	1							
6	1	114210-14200	TAPPET	2							
7	1	114210-14300	TAPPET ASSY,ROLLER	1							
12	1	114210-14400	ROD ASSY, PUSH	2							
13	1	71421C-21030	CRANKSHAFT ASSY	1							
13-1	1	71421C-21031	CRANKSHAFT(E-D ASSY)	1							R
(A=EZZZZZ)											
21	1	103854-01221	NUT, CYLINDER HEAD	1							
24	1	11421C-21590	FLYWHEEL ASSY	1							
27	2	11421C-21600	GEAR, RING	1							
28	1	114250-21550	WASHER	1							
29	1	22512-040120	KEY, 4X 12	1							
30	1	160842-21250	BOLT, 7/16-20UNF	1							
31	1	160842-21260	WASHER	1							
32	1	160842-21150	KEY, 6.3X50	1							
33	1	714220-22720	PISTON W/RINGS (D	1							
35	2	714870-22502	RING SET, PISTON	1							
41	1	114399-22300	PIN, PISTON D=21	1							
42	1	22252-000210	RING, 21	2							
43	1	71421C-23010	ROD ASSY, CONNECTING	1							
46	3	114380-23100	BEARING, PISTON PIN	1							
47	3	118200-23200	BOLT, CONNECTING ROD	2							
48	2	114210-23600	BEARING, CRANK PIN	1							
50	1	714210-28511	SHAFT ASSY, BALANCER	1							
55	1	24101-062030	BEARING, BALL 6203C3	2							
56	1	714220-22620	PISTON W/RING OS=.25	1							1
58	2	714870-22542	RING SET, 0.25 OS	1							1
62	1	714220-22580	PISTON W/RING .50OS	1							2
64	2	714870-22552	RING SET, 0.50 OS	1							2
68	1	114210-23610	BEARING,PIN(U.S.=0.25	1							3
70	1	114210-23620	BEARING,PIN(U.S.=0.50	1							4

Remarks

- (1) Over sized(U.S.=0.25)parts.
- (2) Over sized(U.S.=0.50)parts.
- (3) Under sized(U.S.=0.25)parts.
- (4) Under sized(U.S.=0.50)parts.

OCD11-M09400

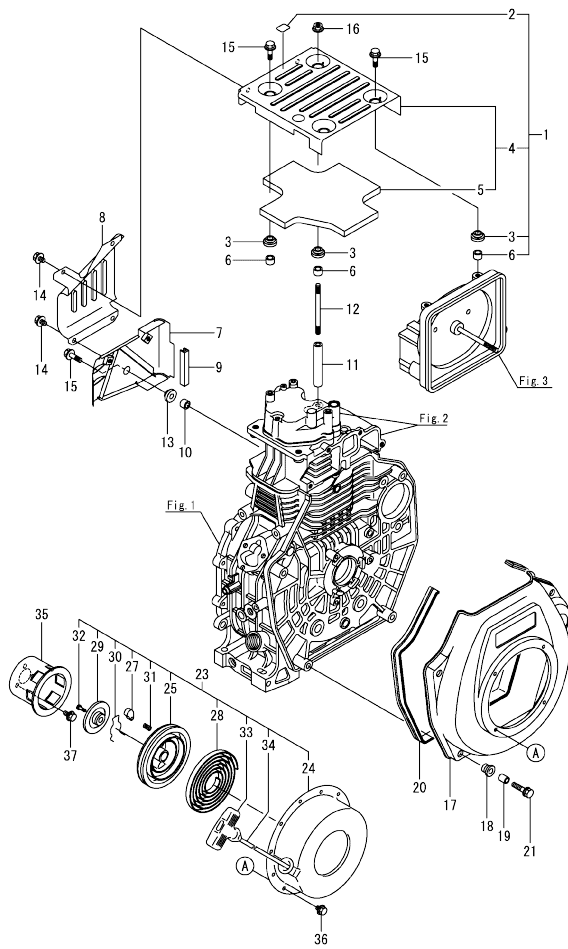
Fig.5. LUB.OIL PUMP & GOVERNOR



No.	Lev.	Parts No.	Description	Q'ty						I	R
				(A)	(B)	(C)	(D)	(E)	(F)		
1	1	114250-32010	PUMP ASSY, OIL	1							
7	1	114250-32070	COVER	1							
8	1	103338-32570	O-RING	1							
9	1	22312-030160	PIN, PARALLEL M3X16	1							
10	1	26106-060122	BOLT, M6X 12 PLATED	3							
11	1	114250-35110	FILTER ASSY, OIL	1							
13	2	24341-000224	O-RING, 1AS22.4	1							
14	1	26106-060162	BOLT, M6X 16 PLATED	1							
15	1	114770-61190	WASHER	1							
16	1	714210-61700	GOVERNOR ASSY	1							
17	2	114210-61290	WEIGHT ASSY, GOVERNOR	1							
22	1	114211-61500	LEVER ASSY, GOVERNOR	1							
31	2	22322-030200	PIN, TAPER 3X20	1							
33	1	114770-61520	BEARING, NEEDLE	2							
34	1	114770-61600	SEAL, OIL	1							
35	1	114770-61610	WASHER, THRUST	1							
36	1	114210-66060	HANDLE ASY, REGULATOR	1							
39	2	26117-050089	BOLT, M5X 8 PLATED	1							
40	1	114210-66100	BRACKET, REGULATOR	1							
41	1	114252-66252	SPRING, RETURN	1							
42	1	114250-66440	BOLT, ADJUSTING	1							
43	1	102100-67080	BOLT, ADJUSTING	1							
44	1	160725-78350	KNOB	1							
45	1	26106-060142	BOLT, M6X 14 PLATED	1							
46	1	26106-060202	BOLT, M6X 20 PLATED	1							
47	1	26347-060002	NUT, M6	1							
48	1	26757-060002	NUT, LOCK M6	2							
49	1	114320-66010	SPRING, REGULATOR	1							
50	1	114250-66200	SPRING, RETURN	1							
51	1	114220-66600	LIMITER ASSY, FUEL	1							
56	1	26776-100002	NUT, LOCK M10	1							
57	1	114780-61090	TIN	2							
58	1	22451-060000	WIRE, 0.6	2							

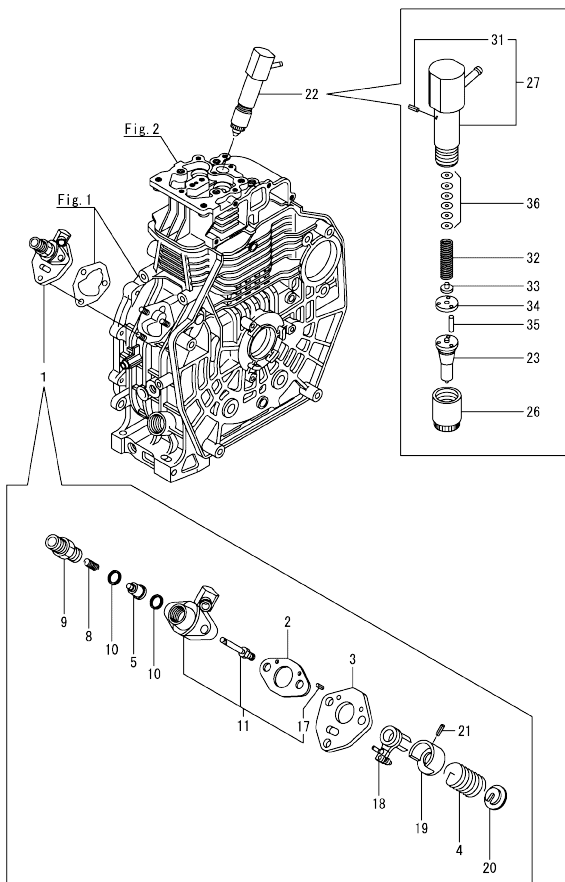
N:Old $\frac{100}{100}$ New, Q:Old $\frac{100}{100}$ New, R:Old $\frac{100}{100}$ New, S:Old $\frac{100}{100}$ New, W:Add, Z:Discontinued, F:Interchangeable by set, K:Qty Change
 Copyright (C) YANMAR CO., LTD. All Rights Reserved.

Fig.6. COOLING & STARTING DEVICE



No.	Lev.	Parts No.	Description	Q'ty						I	R
				(A)	(B)	(C)	(D)	(E)	(F)		
1	1	11421C-45200	COVER ASSY	1							
2	2	114210-07200	LABEL, DECOMPRESSION	1							
3	2	183720-55210	GROMMET	4							
4	2	11421C-45300	COVER	1							
5	3	11421C-45310	INSULATOR, NOISE	1							
6	2	114350-45340	COLLAR	4							
7	1	11421C-45260	COVER	1							
8	1	11421C-45270	COVER	1							
9	1	114350-45320	RUBBER SEAL	1							
10	1	114350-45340	COLLAR	1							
11	1	114210-45350	SPACER, TOP COVER	1							
12	1	114210-45360	STUD BOLT, TOP COVER	1							
13	1	183720-55210	GROMMET	1							
14	1	26106-060082	BOLT, M6X 8 PLATED	4							
15	1	26106-060202	BOLT, M6X 20 PLATED	4							
16	1	26366-060002	NUT, M6	1							
17	1	11421C-45100	CASE, COOLING FAN	1							
18	1	114250-45301	ABSORBER	4							
19	1	114250-45310	COLLAR	4							
20	1	114250-45330	SEAL, FAN CASE L=875	1							
21	1	114370-45351	BOLT	4							
23	1	114399-76251	RECOIL STARTER(D)ASY	1							
24	2	114399-76510	CASE, STARTER	1							
25	2	114399-76521	REEL, RECOIL	1							
27	2	114399-76531	RATCHET	1							
28	2	114399-76540	SPRING, SPIRAL	1							
29	2	114399-76550	COVER	1							
30	2	114399-76560	SPRING	1							
31	2	114399-76570	SPRING, RETURN	1							
32	2	114399-76580	SCREW	1							
33	2	114399-76620	KNOB, STARTER	1							
34	2	114399-76630	ROPE, STARTER	1							
35	1	114399-76590	PULLEY, STARTER	1							
36	1	26106-060082	BOLT, M6X 8 PLATED	4							
37	1	26106-060122	BOLT, M6X 12 PLATED	3							

Fig.7. F.I.PUMP & F.I.VALVE

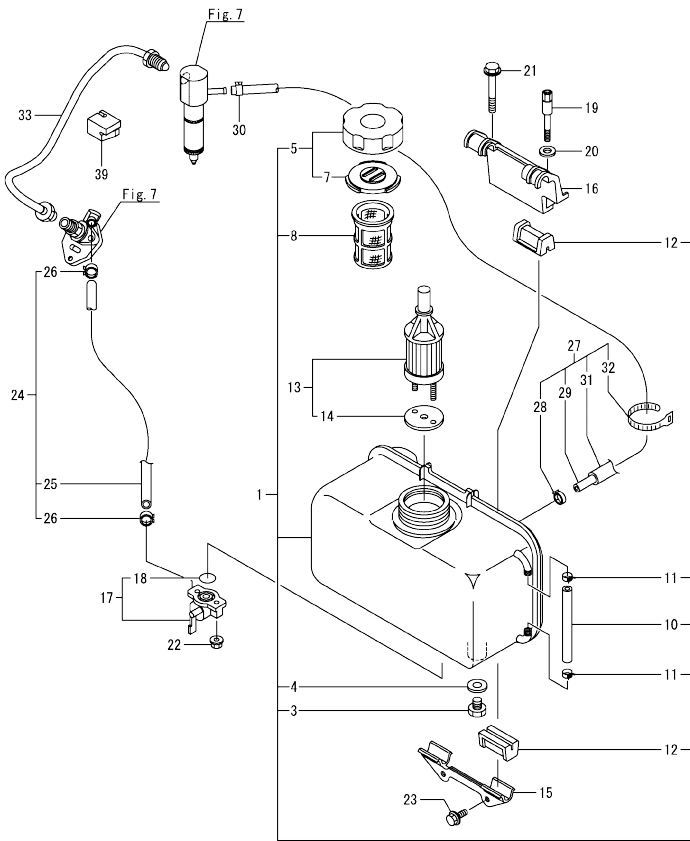


No.	Lev.	Parts No.	Description	Q'ty						I	R
				(A)	(B)	(C)	(D)	(E)	(F)		
1	1	714239-51400	PUMP ASSY, INJECTION	1							
2	2	105546-51020	GASKET	1							
3	2	114250-51080	PLATE	1							
4	2	114250-51160	SPRING, PLUNGER	1							
5	2	114650-51300	VALVE ASSY, DELIVERY	1							
8	2	105546-51330	SPRING, DELIVERY	1							
9	2	114250-51340	HOLDER, DELIVERY	1							
10	2	124550-51350	GASKET, DELIVERY	2							
11	2	114239-51400	BODY ASSY, PUMP	1							
17	4	22351-020006	PIN, SPRING 2.0X 6	2							
18	2	114250-51600	LEVER ASSY, CONTROL	1							
19	2	114250-51640	SEAT, SPRING A	1							
20	2	114250-51650	SEAT, SPRING B	1							
21	2	22351-030008	PIN, SPRING 3.0X 8	1							
22	1	714239-53100	VALVE ASSY, INJECTION	1							
23	2	114239-53050	VALVE ASSY, INJECTION	1							
26	2	114250-53080	NUT, NOZZLE D16.95	1							
27	2	114339-53100	HOLDER ASSY, NOZZLE	1							
31	3	22351-025005	PIN, SPRING 2.5X 6	1							
32	2	114250-53120	SPRING, NOZZLE	1							
33	2	114250-53130	SEAT, SPRING	1							
34	2	114250-53140	PLATE	1							
35	2	114250-53210	PIN	2							
36	2	114250-53400	SHIM SET	1							

N:Old $\frac{100}{100}$ New, Q:Old $\frac{100}{100}$ New, R:Old $\frac{100}{100}$ New, S:Old $\frac{100}{100}$ New, W:Add, Z:Discontinued, F:Interchangeable by set, K:Q'ty Change
 Copyright (C) YANMAR CO., LTD. All Rights Reserved.

OCD11-M09400

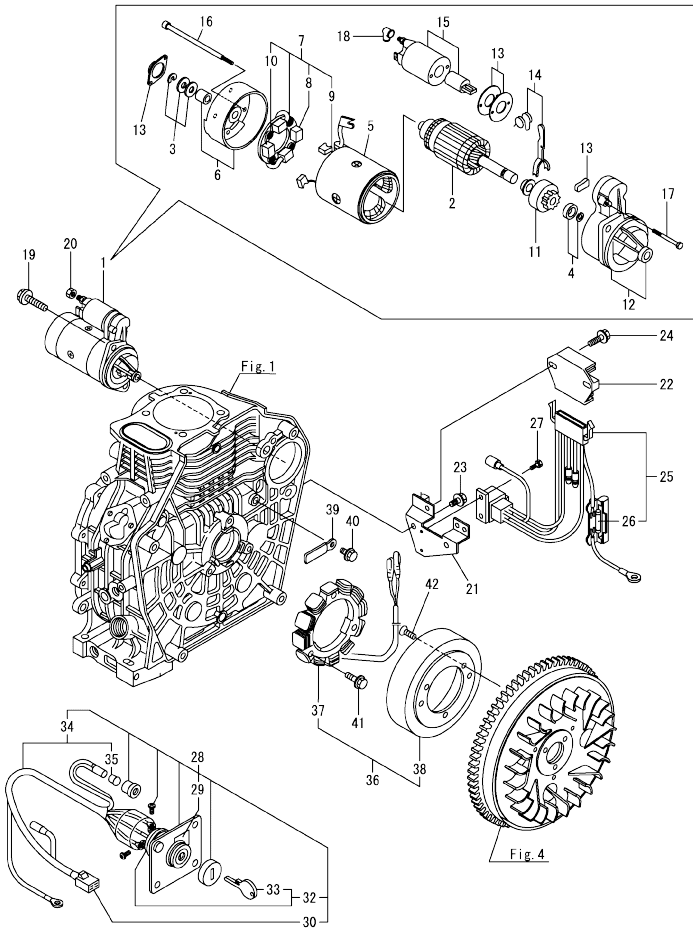
Fig.8. FUEL TANK & FUEL PIPE



No.	Lev.	Parts No.	Description	Qty						I	R
				(A)	(B)	(C)	(D)	(E)	(F)		
1	1	11421C-55720	TANK ASSY, FUEL	1							
3	3	114299-55080	PLUG, DRAIN	1							
4	3	23414-080000	GASKET, 8X1.0	1							
5	2	114288-55041	CAP ASSY	1							
7	3	114288-55081	VALVE	1							
8	2	114250-55100	FILTER, FUEL	1							
10	2	114239-55150	GAUGE, LEVEL	1							
11	2	23080-007000	CLAMP, 7	2							
12	2	114250-55201	DAMPER, FUEL TANK	4							
13	1	114250-55121	FILTER ASSY, FUEL	1							
14	2	114250-55130	GASKET	1							
15	1	114210-55210	STAY A, FUEL TANK	1							
16	1	11421C-55230	STAY, FUEL TANK	1							
17	1	114250-55301	COCK ASSY, FUEL	1							
18	2	24341-000150	O-RING, 1AS15.0	1							
19	1	114210-55810	BOLT, LIFTING	1							
20	1	22117-080000	WASHER, 8	1							
21	1	26106-080452	BOLT, M8X 45 PLATED	1							
22	1	26366-060002	NUT, M6	2							
23	1	26106-060162	BOLT, M6X 16 PLATED	2							
24	1	114780-59010	PIPE ASSY, FUEL L50	1							
25	2	114780-59060	PIPE, FUEL L=50	1							
26	2	23080-014000	CLAMP, 14	2							
27	1	114239-59300	PIPE ASSY, RETURN	1							
28	2	124722-59050	CLIP, HOSE 9	1							
29	2	114650-59060	PIPE, FUEL RETURN	1							
30	2	124066-59100	CLIP, HOSE 8	1							
31	2	114652-59310	TUBE, PROTECT	1							
32	2	121750-59890	BAND, 140	1							
33	1	114210-59800	PIPE ASSY, INJECTION	1							
39	1	114210-59850	SUPPORT, INJ. PIPE	1							

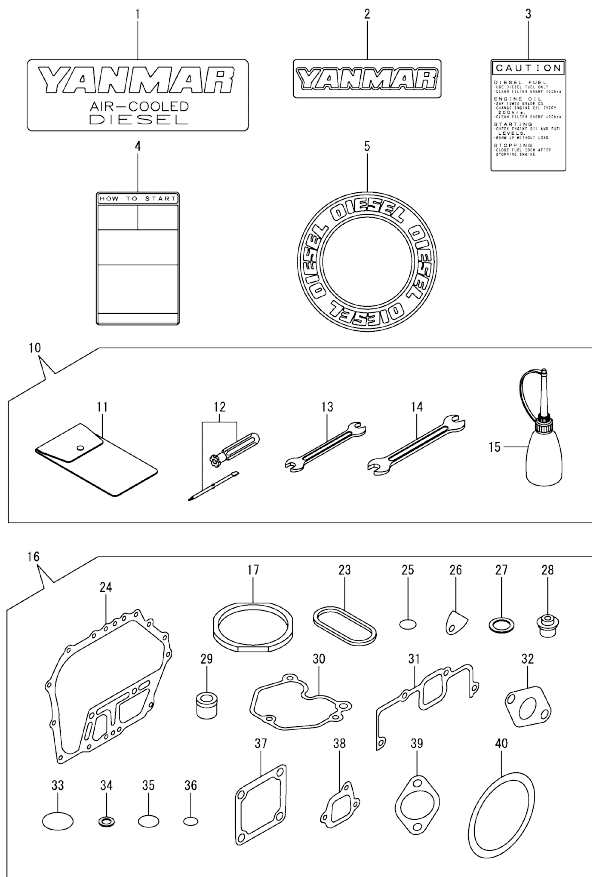
N:Old $\frac{New}{Old}$ New, Q:Old $\frac{New}{Old}$ New, R:Old $\frac{New}{Old}$ New, S:Old $\frac{New}{Old}$ New, W:Add, Z:Discontinued, F:Interchangeable by set, K:Qty Change
 Copyright (C) YANMAR CO., LTD. All Rights Reserved.

Fig.9. STARTING MOTOR & DYNAMO



No.	Lev.	Parts No.	Description	Q'ty						I	R
				(A)	(B)	(C)	(D)	(E)	(F)		
1	1	114362-77011	STARTER(HITACHI 12V	1							
2	2	114381-77110	ARMATURE	1							
3	2	X2114811000	WASHER KIT, THRUST	1							
4	2	X2114715500	STOPPER SET, PINION	1							
5	2	114381-77130	COIL ASSY, FIELD	1							
6	2	114381-77140	COVER, REAR	1							
7	2	114371-77160	HOLDER ASSY, BRUSH	1							
8	3	114371-79040	BRUSH (-)	2							
9	3	114371-79050	BRUSH (+)	1							
10	3	114371-79060	SPRING, BRUSH	4							
11	2	X211485016	PINION ASSY	1							
12	2	114381-77151	HOUSING ASSY, GEAR	1							
13	2	114371-77170	COVER KIT, DUST	1							
14	2	114371-77180	LEVER KIT, SHIFT	1							
15	2	124298-77020	SWITCH, MAGNETIC	1							
16	2	124195-77770	THROUGH BOLT	2							
17	2	114371-79070	BOLT M 6X 37	2							
18	2	X2114274200	COVER, TERMINAL	1							
19	1	26106-100302	BOLT, M10X 30 PLATED	2							
20	1	26716-080002	NUT, M8	1							
21	1	114385-77400	BRACKET	1							
22	1	114340-77710	LIMITER, CURRENT 15A	1							
23	1	26106-060122	BOLT, M6X 12 PLATED	2							
24	1	26106-060202	BOLT, M6X 20 PLATED	2							
25	1	114351-77540	HARNES, WIRE	1							
26	2	29411-200000	FUSE, CARTRIDGE 20A	2							
27	1	26023-040102	SCREW, M4X10	2							
28	1	114351-77500	PANEL ASSY	1							
29	2	105198-07120	LABEL, START SWITCH	1							
30	2	114351-77520	COUPLER	1							
32	2	106100-77620	SWITCH, KEY	1							
33	3	106100-77630	KEY, SWITCH	1							
34	2	114351-77700	HARNES, WIRE	1							
35	3	29220-083200	BULB (12V/3.4W)	1							
36	1	114351-78290	DYNAMO ASSY	1							
37	2	114351-78830	STATOR ASSY, 132.1MM	1							
38	2	114351-78840	WHEEL, DYNAMO	1							
39	1	160710-78710	CLAMP, CORD	1							
40	1	26106-060122	BOLT, M6X 12 PLATED	1							
41	1	26106-060202	BOLT, M6X 20 PLATED	3							
42	1	26577-060142	SCREW M 6X 14	3							

Fig.10. TOOL, LABEL & GASKET SET



No.	Lev.	Parts No.	Description	Q'ty						I	R
				(A)	(B)	(C)	(D)	(E)	(F)		
1	1	114250-07090	LABEL, AIR COOLED	1							
2	1	114250-07111	LABEL, YANMAR	1							
3	1	114210-07120	LABEL, CAUTION	1							
4	1	114210-07130	LABEL HOW TO START-E	1							
5	1	114261-07350	LABEL, DIESEL	1							
10	1	714250-92100	BOX ASSY, TOOL	1							
11	2	114250-92600	BAG, TOOL	1							
12	2	160330-92730	DRIVE, SCREW	1							
13	2	28110-100120	SPANNER, 10X12	1							
14	2	28110-140170	SPANNER, 14X17	1							
15	2	28210-000150	OILER	1							
16	1	114220-92600	GASKET SET	1							1
17	2	114395-01330	GASKET, HEAD	1							
23	2	114399-01380	O-RING	1							
24	2	114399-01410	GASKET, CRANK CASE	1							
25	2	114299-01950	O-RING, 18	2							
26	2	114250-01841	GASKET	1							
27	2	22190-160002	WASHER, SEAL 16	2							
28	2	114350-11340	SEAL, VALVE STEM	2							
29	2	114771-11461	GASKET, NOZZLE	1							
30	2	114210-11310	GASKET, BONNET	1							
31	2	114210-12210	GASKET, AIR CLEANER	1							
32	2	114299-13200	GASKET, MUFFLER	1							
33	2	114299-32570	O-RING	1							
34	2	23414-080000	GASKET, 8X1.0	1							
35	2	24341-000224	O-RING, 1AS22.4	1							
36	2	24341-000150	O-RING, 1AS15.0	1							
37	2	129100-77510	GASKET, AIR HEATER	3							
38	2	114299-12210	GASKET, AIR CLEANER	2							
39	2	114299-12920	GASKET, AIR CLEANER	1							
40	2	114399-21980	GASKET	1							

Remarks
(1) Optional parts.

Parts No. Index

Parts No.	Fig. No.	Ref. No.	Parts No.	Fig. No.	Ref. No.	Parts No.	Fig. No.	Ref. No.	Parts No.	Fig. No.	Ref. No.
102100-67080	5	43	11421C-11110	2	9	114250-53120	7	32	114351-78840	9	38
103338-32570	5	8	11421C-11250	2	14	114250-53130	7	33	114362-77011	9	1
103854-01221	4	21	11421C-11260	2	15	114250-53140	7	34	114370-45351	6	21
105010-11490	2	27	11421C-11650	2	17	114250-53210	7	35	114371-77160	9	7
105198-07120	9	29	11421C-11660	2	21	114250-53400	7	36	114371-77170	9	13
105425-01690	1	34	11421C-11950	2	36	114250-55100	8	8	114371-77180	9	14
105546-51020	7	2	11421C-13500	3	20	114250-55121	8	13	114371-79040	9	8
105546-51330	7	8	11421C-21590	4	24	114250-55130	8	14	114371-79050	9	9
106100-77620	9	32	11421C-21600	4	27	114250-55201	8	12	114371-79060	9	10
106100-77630	9	33	11421C-45100	6	17	114250-55301	8	17	114371-79070	9	17
114210-01200	2	1	11421C-45200	6	1	114250-66200	5	50	114380-23100	4	46
114210-01210	2	2	11421C-45260	6	7	114250-66440	5	42	114381-77110	9	2
114210-03590	2	38	11421C-45270	6	8	114250-92600	10	11	114381-77130	9	5
114210-07120	10	3	11421C-45300	6	4	114252-66252	5	41	114381-77140	9	6
114210-07130	10	4	11421C-45310	6	5	114261-07350	10	5	114381-77151	9	12
114210-07200	6	2	11421C-55230	8	16	114270-01600	1	22	114385-77400	9	21
114210-11120	2	10	11421C-55720	8	1	114288-13800	3	29	114395-01330	10	17
114210-11180	2	11	114220-66600	5	51	114288-55041	8	5	114399-01380	10	23
114210-11310	2	35	114220-92600	10	16	114288-55081	8	7	114399-01410	10	24
	10	30	11422C-11020	2	3	114299-01950	1	37	114399-21980	10	40
114210-11901	2	30	114239-51400	7	11		10	25	114399-22300	4	41
114210-11930	2	12	114239-53050	7	23	114299-02030	1	39	114399-76251	6	23
114210-12010	3	2	114239-55150	8	10	114299-03640	2	41	114399-76510	6	24
114210-12210	3	16	114239-59300	8	27	114299-12210	10	38	114399-76521	6	25
	10	31	114250-01800	1	7	114299-12920	10	39	114399-76531	6	27
114210-12500	3	6	114250-01830	1	18	114299-13200	10	32	114399-76540	6	28
114210-12511	3	1	114250-01841	1	19	114299-32570	10	33	114399-76550	6	29
114210-12560	3	10		10	26	114299-55080	8	3	114399-76560	6	30
114210-12590	3	11	114250-07090	10	1	114320-66010	5	49	114399-76570	6	31
114210-12600	3	14	114250-07111	10	2	114339-11451	2	26	114399-76580	6	32
114210-12610	3	9	114250-11240	2	19	114339-11551	2	28	114399-76590	6	35
114210-14200	4	6		23		114339-53100	7	27	114399-76620	6	33
114210-14300	4	7	114250-11600	2	29	114340-77710	9	22	114399-76630	6	34
114210-14400	4	12	114250-12300	3	15	114350-01380	1	6	114650-51300	7	5
114210-23600	4	48	114250-13201	3	19	114350-01412	1	26	114650-59060	8	29
114210-23610	4	68	114250-21550	4	28	114350-02100	1	30	114652-59310	8	31
114210-23620	4	70	114250-32010	5	1	114350-02113	1	40	114699-01760	1	35
114210-45350	6	11	114250-32070	5	7	114350-02200	1	46	114770-61190	5	15
114210-45360	6	12	114250-35110	5	11	114350-02210	1	47	114770-61520	5	33
114210-55210	8	15	114250-35150	1	32	114350-11340	2	25	114770-61600	5	34
114210-55810	8	19	114250-45301	6	18		10	28	114770-61610	5	35
114210-59800	8	33	114250-45310	6	19	114350-45320	6	9	114771-11461	10	29
114210-59850	8	39	114250-45330	6	20	114350-45340	6	6	114780-59010	8	24
114210-61290	5	17	114250-51080	7	3		10		114780-59060	8	25
114210-66060	5	36	114250-51160	7	4	114351-77500	9	28	114780-61090	5	57
114210-66100	5	40	114250-51340	7	9	114351-77520	9	30	114871-01340	1	5
114211-61500	5	22	114250-51600	7	18	114351-77540	9	25	118200-23200	4	47
11421C-01020	1	1	114250-51640	7	19	114351-77700	9	34	121750-59890	8	32
11421C-01450	1	27	114250-51650	7	20	114351-78290	9	36	124066-59100	8	30
11421C-11100	2	8	114250-53080	7	26	114351-78830	9	37	124195-77770	9	16

Parts No. Index

Parts No.	Fig. No.	Ref. No.
124298-77020	9	15
124550-51350	7	10
124722-59050	8	28
129100-77510	10	37
160110-02220	1	41
		42
160330-92730	10	12
160710-78710	9	39
160725-78350	5	44
160842-21150	4	32
160842-21250	4	30
160842-21260	4	31
183720-55210	6	3
		13
22117-080000	8	20
22190-160002	1	38
	10	27
22242-000120	2	16
22252-000210	4	42
22312-030160	2	43
	5	9
22312-040080	1	20
22322-030200	5	31
22351-020006	7	17
22351-025005	7	31
22351-030008	7	21
22351-040008	2	31
22451-060000	5	58
22512-040120	4	29
23080-007000	8	11
23080-014000	8	26
23414-080000	8	4
	10	34
23875-020000	1	21
23876-010000	1	45
24101-062030	4	55
24162-152116	1	43
24341-000150	8	18
	10	36
24341-000224	5	13
	10	35
26023-040102	9	27
26106-060082	6	14
		36
26106-060122	3	26
	5	10
	6	37
	9	23
		40
26106-060142	5	45

Parts No.	Fig. No.	Ref. No.
26106-060162	5	14
	8	23
26106-060202	3	17
	5	46
	6	15
	9	24
		41
26106-060402	2	32
26106-060552	2	46
26106-080122	1	44
26106-080352	1	33
26106-080452	8	21
26106-100302	9	19
26117-050089	5	39
26216-080182	3	27
26226-060182	1	23
26226-060222	1	24
26226-060302	3	18
26226-060552	2	33
26306-080002	3	28
26347-060002	5	47
26366-060002	1	25
	2	34
	6	16
	8	22
26367-060002	3	31
26554-060182	3	30
26577-060142	9	42
26716-080002	9	20
26757-060002	5	48
26776-100002	5	56
26856-060002	2	20
		24
28110-100120	10	13
28110-140170	10	14
28210-000150	10	15
29220-083200	9	35
29411-200000	9	26
714210-28511	4	50
714210-61700	5	16
71421C-21030	4	13
71421C-21031	4	13 -1
71421C-23010	4	43
714220-22580	4	62
714220-22620	4	56
714220-22720	4	33
71422C-14581	4	1
714239-51400	7	1
714239-53100	7	22
714250-92100	10	10

Parts No.	Fig. No.	Ref. No.
714870-22502	4	35
714870-22542	4	58
714870-22552	4	64
X2114274200	9	18
X2114715500	9	4
X2114811000	9	3
X211485016	9	11

Parts No.	Fig. No.	Ref. No.
-----------	----------	----------