

0CC50-M00350EN

P R E F A C E

This parts catalog is the 1st edition of L48N6CC1T1HANR.

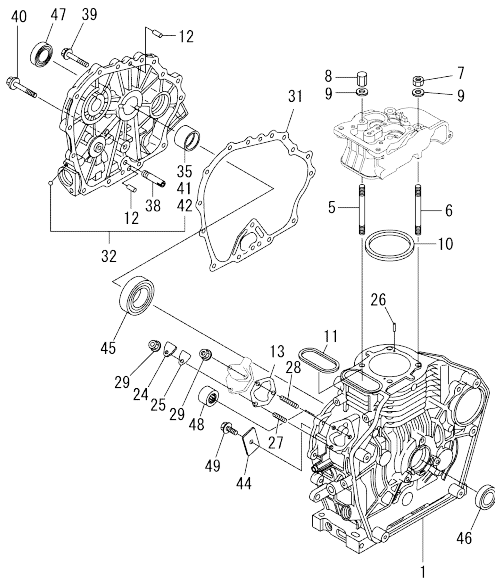
Published : June, 2015

Contents

0CC50-M00350

Fig. No.	Fig. Name	Fig. No.	Fig. Name
	ENGINE		25. TOOL & GASKET SET
1.	CYLINDER BLOCK		
2.	DRAIN PLUG		
3.	LABEL		
4.	CYLINDER HEAD & BONNET		
5.	SUCTION MANIFOLD		
6.	AIR CLEANER		
7.	EXHAUST MUFFLER		
8.	CAMSHAFT		
9.	CRANKSHAFT		
10.	FLYWHEEL		
11.	PISTON & CONNECTING ROD		
12.	BALANCER SHAFT		
13.	LUB. OIL PUMP & GOVERNOR		
14.	HYD. OIL SWITCH		
15.	COVER		
16.	COOLING FAN CASE		
17.	FUEL INJECTION PUMP & FUEL INJECTION VALVE		
18.	CONTROL EQUIPMENT		
19.	STARTER MOTOR		
20.	ELECTRIC PARTS		
21.	AIR HEATER		
22.	KEY SWITCH		
23.	DYNAMO		
24.	ACCESSORY		

Fig.1. CYLINDER BLOCK



(A)=L48N6CC1T1HANR
(B)=
(C)=

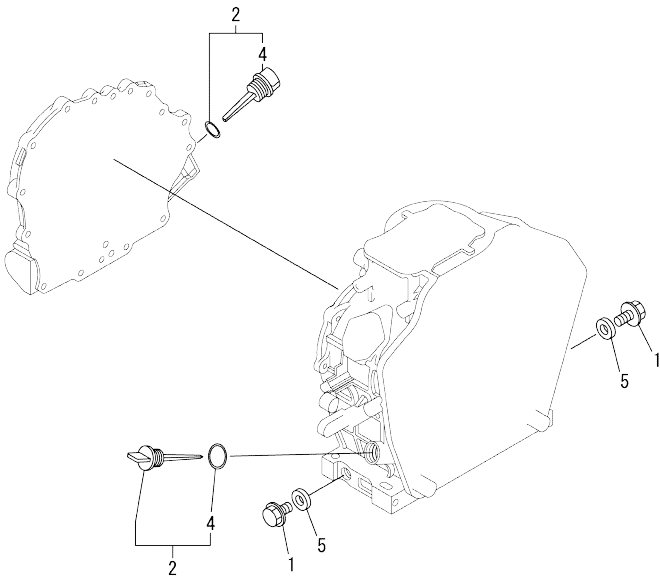
(D)=
(E)=
(F)=

No.	Lev.	Parts No.	Description	Q'ty						I	R
				(A)	(B)	(C)	(D)	(E)	(F)		
1	1	114110-01020	BLOCK ASSY, CYLINDER	1							
5	1	114299-01200	BOLT, HEAD A	2							
6	1	114299-01210	BOLT, HEAD B	2							
7	1	114299-01220	NUT, CYLINDER HEAD A	2							
8	1	114299-01230	NUT, CYLINDER HEAD B	2							
9	1	124950-01250	WASHER, HEAD BOLT	4							
10	1	114295-01340	GASKET, HEAD T=0.5	1							
11	1	114299-01380	O-RING	1							
12	1	114299-01600	PIN, PARALLEL 8X12	2							
13	1	114299-01800	SHIM SET, PUMP	1							
24	1	114299-01830	COVER, PUMP	1							
25	1	114250-01841	GASKET, COVER	1							
26	1	22312-040080	PIN, PARALLEL M4X 8	2							
27	1	26226-060182	STUD, M6X 18	1							
28	1	26226-060222	STUD, M6X 22	2							
29	1	26366-060002	NUT, M6	3							
31	1	114299-01410	GASKET, CRANK CASE	1							
32	1	114299-01450	COVER, CRANK CASE D	1							
32-1	1	114111-01450	COVER, CRANK CASE D	1							N
		(A=2019.02)									
35	2	114250-02100	METAL, MAIN	1							1
35-1	2	114740-02110	BEARING, MAIN	1							N 1
		(A=2019.07)									
38	1	114299-35150	PIPE, OIL INLET	1							
39	1	26106-060252	BOLT, M6X 25 PLATED	14							
40	1	26106-080352	BOLT, M8X 35 PLATED	1							
41	1	114250-02200	METAL, MAIN 0.25 US	1							2
41-1	1	114740-02200	BEARING, MAIN 0.25OS	1							N 4
		(A=2019.07)									
42	1	114250-02210	METAL, MAIN 0.50 US	1							3
42-1	1	114740-02210	BEARING, MAIN 0.50OS	1							N 5
		(A=2019.07)									
44	1	114299-02030	RETAINER, BEARING	1							
45	1	114250-02113	BEARING, HR6306G3C3	1							
46	1	114299-02220	SEAL, OIL	1							
47	1	160210-02220	SEAL, OIL 25X41.2X8	1							
48	1	24162-152112	BEARING, 152112	1							
49	1	26106-080122	BOLT, M8X 12 PLATED	1							

Remarks

- (1) Spare parts.
- (2) Under-sized (U.S.=0.25) parts.
- (3) Under-sized (U.S.=0.50) parts.
- (4) Over-sized (O.S.=0.25) parts.
- (5) Over-sized (O.S.=0.50) parts.

OCC50-M00350 ENGINE
 Fig.2. DRAIN PLUG



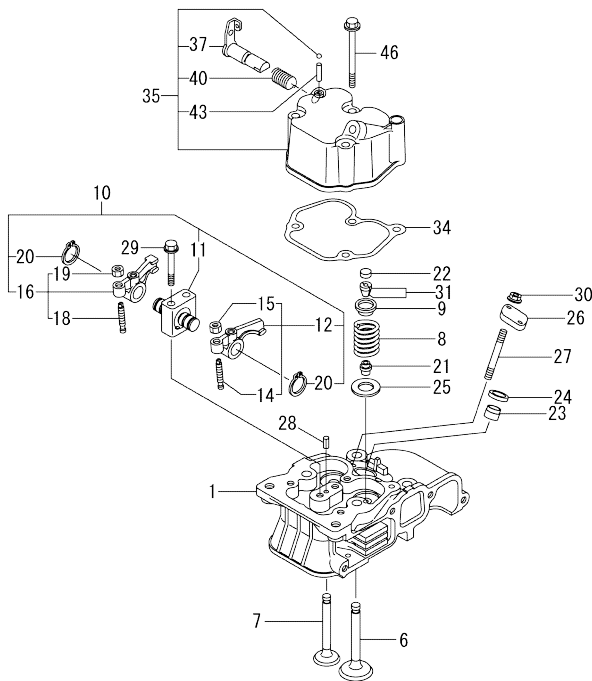
OCC50-M00350 Fig.2

(A)=L48N6CC1T1HANR
 (B)=
 (C)=

(D)=
 (E)=
 (F)=

No.	Lev.	Parts No.	Description	Q'ty						I	R
				(A)	(B)	(C)	(D)	(E)	(F)		
1	1	114299-01690	PLUG M16	2							
2	1	114299-01760	CAP ASSY	2							
4	2	114299-01950	O-RING, 18	2							
5	1	22190-160002	WASHER, SEAL 16	2							

Fig.4. CYLINDER HEAD & BONNET



No.	Lev.	Parts No.	Description	Qty						I	R
				(A)	(B)	(C)	(D)	(E)	(F)		
1	1	11429C-11030	HEAD ASSY, CYLINDER	1							
6	1	11429C-11100	VALVE, INTAKE	1							
7	1	11429C-11110	VALVE, EXHAUST	1							
8	1	114120-11120	SPRING, VALVE	2							
9	1	114250-11180	RETAINER, SPRING	2							
10	1	11429C-11250	SUPPORT ASSY, ARM	1							
11	2	11429C-11260	SUPPORT, ROCKER ARM	1							
12	2	11429C-11650	ARM ASSY, ROCKER	1							
14	3	114250-11240	SCREW, VALVE ADJUST	1							
15	3	26856-060002	NUT, M6	1							
16	2	11429C-11660	ARM ASSY, ROCKER	1							
18	3	114250-11240	SCREW, VALVE ADJUST	1							
19	3	26856-060002	NUT, M6	1							
20	2	22242-000120	RING, 12	2							
21	1	114250-11341	SEAL, VALVE STEM	2							
22	1	119260-11370	CAP, VALVE	2							
23	1	114240-11450	PROTECTOR, NOZZLE	1							
24	1	114240-11550	SEAT, NOZZLE	1							
25	1	114299-11600	WASHER, VALVE SPRING	2							
26	1	114299-11901	RETAINER, NOZZLE	1							
27	1	114110-11910	STUD, M6X65	2							
28	1	22351-040008	PIN, SPRING 4.0X 8	1							
29	1	26106-060452	BOLT, M6X 45 PLATED	2							
30	1	26366-060002	NUT, M6	2							
31	1	27310-055001	COTTER, 5.5	2							
34	1	114771-11310	GASKET, BONNET	1							
35	1	114295-11951	BONNET ASSY, HEAD	1							
37	2	114250-03591	LEVER ASSY	1							
40	2	114299-03640	SPRING, DECOMPRESSION	1							
43	2	22312-030160	PIN, PARALLEL M3X16	1							
46	1	26106-060552	BOLT, M6X 55 PLATED	3							

Fig.5. SUCTION MANIFOLD

(A)=L48N6CC1T1HANR
(B)=
(C)=

(D)=
(E)=
(F)=

No.	Lev.	Parts No.	Description	Q'ty						I	R
				(A)	(B)	(C)	(D)	(E)	(F)		
1	1	114771-12010	PIPE, AIR INTAKE	1							
2	1	114771-12200	GASKET	1							
4	1	114299-12310	STUD, BOLT M6X57	2							
5	1	26106-060252	BOLT, M6X 25 PLATED	2							
6	1	26226-060142	STUD, M6X 14	1							

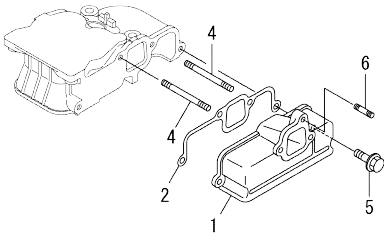
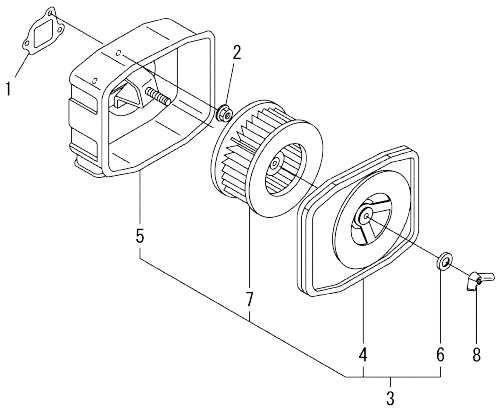


Fig.6. AIR CLEANER

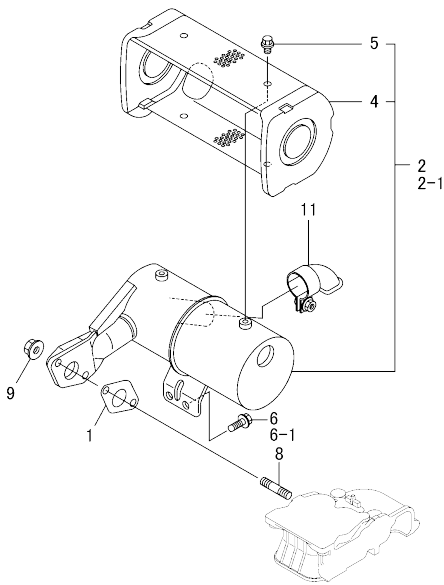


(A)=L48N6CC1T1HANR
(B)=
(C)=

(D)=
(E)=
(F)=

No.	Lev.	Parts No.	Description	Q'ty						I	R
				(A)	(B)	(C)	(D)	(E)	(F)		
1	1	114299-12210	GASKET, AIR CLEANER	1							
2	1	114299-12300	NUT	3							
3	1	114120-12550	CLEANER ASSY, AIR	1							
3-1	1	114250-12570	CLEANER, AIR	1							R
		(A=ES46306)									
4	2	114250-12520	COVER, AIR CLEANER	1							
5	2	114250-12530	CASE ASSY, CLEANER	1							
6	2	114250-12560	WASHER, SEAL M6	1							
7	2	114250-12581	ELEMENT, AIR CLEANER	1							
8	1	114250-12550	NUT, WING M6	1							

Fig.7. EXHAUST MUFFLER



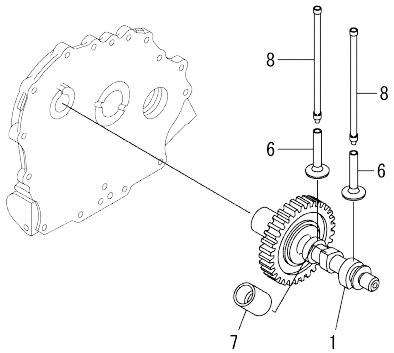
(A)=L48N6CC1T1HANR
(B)=
(C)=

(D)=
(E)=
(F)=

No.	Lev.	Parts No.	Description	Q'ty						I	R
				(A)	(B)	(C)	(D)	(E)	(F)		
1	1	114299-13200	GASKET, MUFFLER	1							
2	1	11429C-13500	MUFFLER ASSY, E-D	1							
2-1	1	11429C-13510	MUFFLER ASSY, E-D	1							S
(A=ES46306)											
4	2	11429C-13700	COVER	1							
5	2	11431C-13720	BOLT, M6	4							
6	1	26106-060142	BOLT, M6X 14 PLATED	2							
6-1	1	26106-080162	BOLT, M8X 16 PLATED	2							S
(A=ES46306)											
8	1	26216-080182	STUD, M8X 18	2							
9	1	26306-080002	NUT, M8	2							
11	1	114299-13800	EXTENSION ASSY	1							

OCC50-M00350 ENGINE
 Fig.8. CAMSHAFT

OCC50-M00350 Fig.8

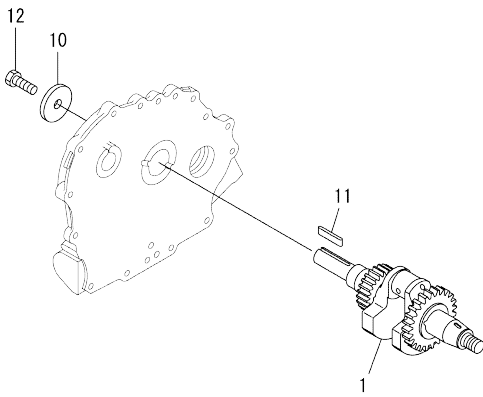


(A)=L48N6CC1T1HANR
 (B)=
 (C)=

(D)=
 (E)=
 (F)=

No.	Lev.	Parts No.	Description	Q'ty					
				(A)	(B)	(C)	(D)	(E)	(F)
1	1	71429C-14010	CAMSHAFT ASSY	1					
6	1	114299-14200	TAPPET	2					
7	1	114771-14260	TAPPET	1					
8	1	114250-14451	ROD ASSY, PUSH	2					

Fig.9. CRANKSHAFT

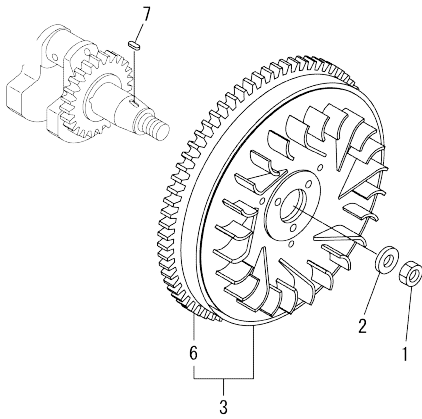


(A)=L48N6CC1T1HANR
(B)=
(C)=

(D)=
(E)=
(F)=

No.	Lev.	Parts No.	Description	Q'ty					
				(A)	(B)	(C)	(D)	(E)	(F)
1	1	11429C-21750	CRANKSHAFT ASSY,E-D	1					
10	1	160310-14550	WASHER	1					
11	1	160642-21150	KEY, 4.7X30	1					
12	1	160642-21250	BOLT, 5/15-24UNF	1					

OCC50-M00350 ENGINE
 Fig.10. FLYWHEEL



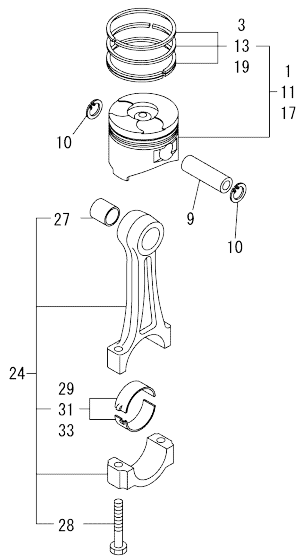
OCC50-M00350 Fig.10

(A)=L48N6CC1T1HANR
 (B)=
 (C)=

(D)=
 (E)=
 (F)=

No.	Lev.	Parts No.	Description	Q'ty					
				(A)	(B)	(C)	(D)	(E)	(F)
1	1	114299-21220	NUT	1					
2	1	114299-21550	WASHER	1					
3	1	114299-21590	FLYWHEEL ASSY	1					
6	2	114299-21600	GEAR, RING	1					
7	1	22512-040120	KEY, 4X 12	1					

Fig.11. PISTON & CONNECTING ROD



(A)=L48N6CC1T1HANR
(B)=
(C)=

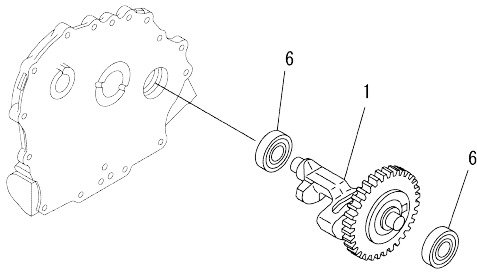
(D)=
(E)=
(F)=

No.	Lev.	Parts No.	Description	Q'ty						I	R
				(A)	(B)	(C)	(D)	(E)	(F)		
1	1	714120-22720	PISTON ASSY, D	1							
3	2	714295-22500	RING SET, PISTON	1							
9	1	114299-22300	PIN, PISTON D=19	1							
10	1	22252-000190	RING, 19	2							
11	1	714120-22630	PISTON ASSY, 0.25 OS	1							1
13	2	714295-22560	RING SET, PISTON .25	1							1
17	1	714120-22590	PISTON ASSY, 0.50 OS	1							2
19	2	714295-22570	RING SET, PISTON .50	1							2
24	1	71429C-23010	ROD ASSY, CONNECTING	1							
24-1	1	11412C-23700	ROD ASSY, CONNECTING	1							N
		(A=2019.02)									
27	3	114770-23100	BEARING, PISTON PIN	1							
27-1	3	114740-23100	BUSH, PISTON PIN	1							N
		(A=2019.02)									
28	3	114110-23200	BOLT, CONNECTING ROD	2							
29	2	714770-23600	METAL ASSY, CRANK PIN	1							
29-1	2	114740-23600	METAL, CRANK PIN	1							N
		(A=2019.10)									
31	1	714770-23610	METAL ASSY, PIN .25	1							3
31-1	1	114740-23610	METAL, CRANK PIN 0.25	1							N 1
		(A=2019.10)									
33	1	714770-23620	METAL ASSY, PIN .50	1							4
33-1	1	114740-23620	METAL, CRANK PIN 0.50	1							N 2
		(A=2019.10)									

Remarks

- (1)Over-sized(O.S.=0.25) parts.
- (2)Over-sized(O.S.=0.50) parts.
- (3)Under-sized(U.S.=0.25) parts.
- (4)Under-sized(U.S.=0.50) parts.

Fig.12. BALANCER SHAFT

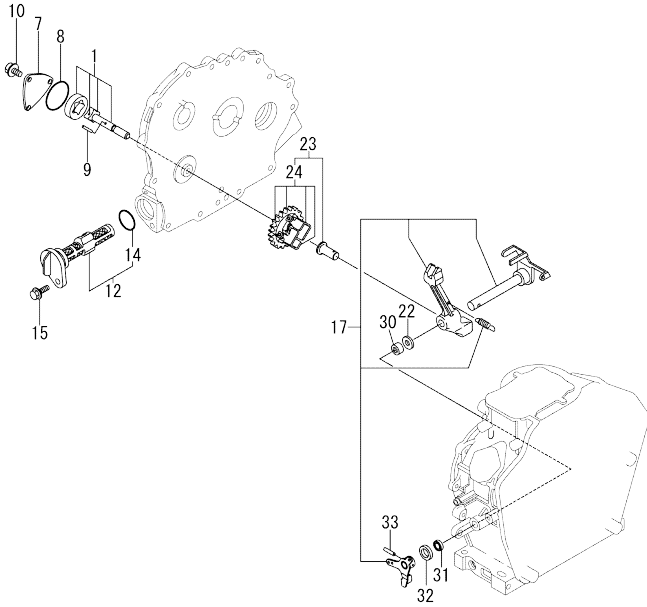


(A)=L48N6CC1T1HANR
(B)=
(C)=

(D)=
(E)=
(F)=

No.	Lev.	Parts No.	Description	Q'ty					
				(A)	(B)	(C)	(D)	(E)	(F)
1	1	714770-28531	SHAFT ASSY, BALANCER	1					
6	1	24101-062020	BEARING, BALL 6202C3	2					

Fig.13. LUB. OIL PUMP & GOVERNOR



(A)=L48N6CC1T1HANR
(B)=
(C)=

(D)=
(E)=
(F)=

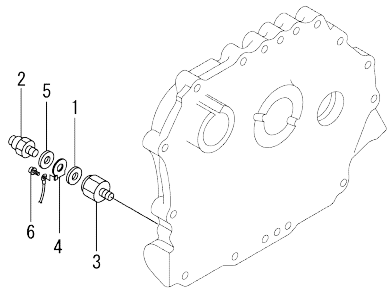
No.	Lev.	Parts No.	Description	Q'ty						I	R
				(A)	(B)	(C)	(D)	(E)	(F)		
1	1	114250-32010	PUMP ASSY, OIL	1							
7	1	114299-32070	COVER	1							
8	1	114299-32570	O-RING	1							
9	1	22312-030160	PIN, PARALLEL M3X16	1							
10	1	26106-060122	BOLT, M6X 12 PLATED	3							
12	1	114299-35110	FILTER ASSY, OIL	1							
14	2	24341-000224	O-RING, 1AS22.4	1							
15	1	26106-060162	BOLT, M6X 16 PLATED	1							
17	1	114295-61170	LEVER ASSY, GOVERNOR	1							1
22	1	114299-61190	WASHER	1							
23	1	114299-61700	GOVERNOR ASSY	1							
24	2	114299-61210	WEIGHT ASSY, GOVERNOR	1							
30	1	114770-61520	BEARING, NEEDLE	2							
31	1	114299-61600	SEAL, OIL	1							
32	1	114770-61610	WASHER, THRUST	1							
33	1	22322-030200	PIN, TAPER 3X20	1							

Remarks

(1) On a guarantee of quality component parts shall not be sold.

OCC50-M00350 ENGINE

Fig.14. HYD. OIL SWITCH



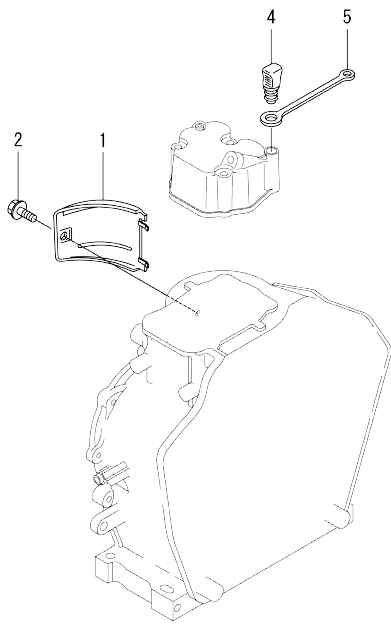
OCC50-M00350 Fig.14

(A)=L48N6CC1T1HANR
(B)=
(C)=

(D)=
(E)=
(F)=

No.	Lev.	Parts No.	Description	Q'ty					
				(A)	(B)	(C)	(D)	(E)	(F)
1	1	114110-39290	WASHER, RUBBER	1					
2	1	183250-39450	SWITCH, 1.0KG	1					
3	1	183366-39460	JOINT	1					
4	1	171022-39470	TERMINAL, EARTH	1					
5	1	22117-100000	WASHER, 10	1					
6	1	26557-040082	SCREW, M4X 8	1					

OCC50-M00350 ENGINE
 Fig.15. COVER



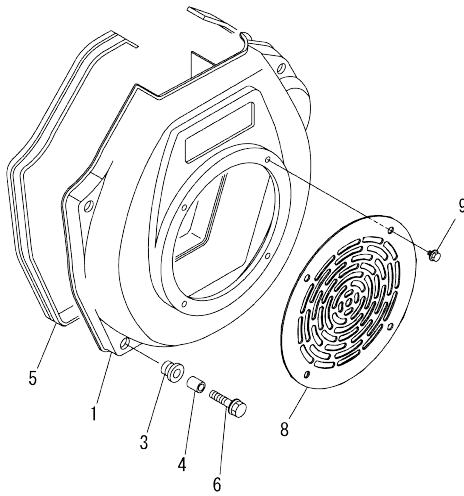
OCC50-M00350 Fig.15

(A)=L48N6CC1T1HANR
 (B)=
 (C)=

(D)=
 (E)=
 (F)=

No.	Lev.	Parts No.	Description	Q'ty					
				(A)	(B)	(C)	(D)	(E)	(F)
1	1	114299-45210	COVER	1					
2	1	26106-060122	BOLT, M6X 12 PLATED	1					
4	1	114299-76600	PLUNGER	1					
5	1	114299-76610	HOLDER, PLUNGER	1					

Fig.16. COOLING FAN CASE

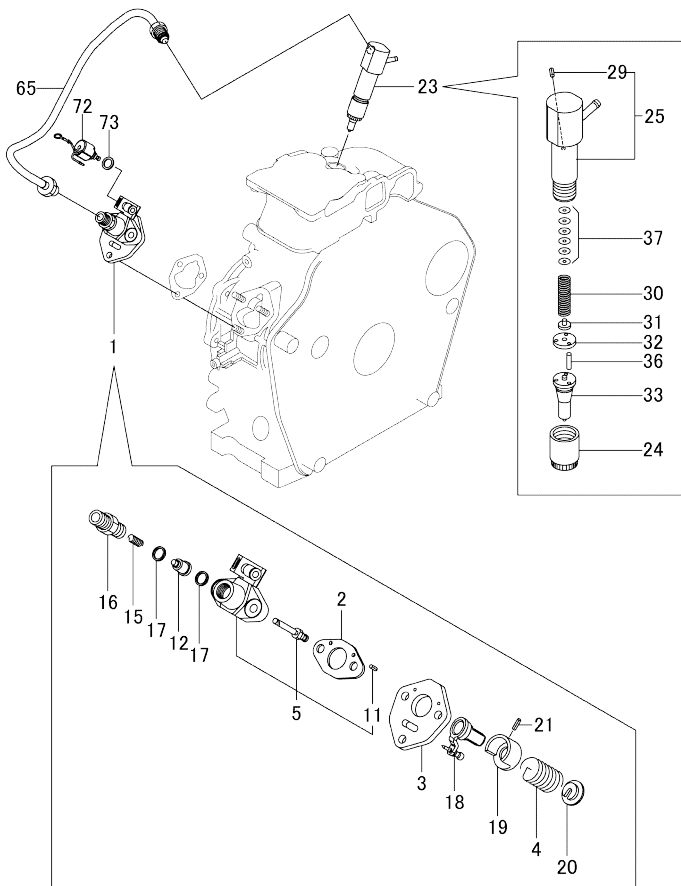


(A)=L48N6CC1T1HANR
(B)=
(C)=

(D)=
(E)=
(F)=

No.	Lev.	Parts No.	Description	Q'ty					
				(A)	(B)	(C)	(D)	(E)	(F)
1	1	114295-45150	CASE, COOLING FAN	1					
3	1	114299-45301	RUBBER, CUSHION	4					
4	1	114299-45310	COLLAR	4					
5	1	114120-45330	SEAL, FAN CASE	1					
6	1	114299-45350	BOLT, FAN CASE	4					
8	1	114120-45180	COVER, DUST	1					
9	1	26106-060082	BOLT, M6X 8 PLATED	4					

Fig.17. FUEL INJECTION PUMP & FUEL INJECTION VALVE



No.	Lev.	Parts No.	Description	Q'ty						I	R
				(A)	(B)	(C)	(D)	(E)	(F)		
1	1	714139-51300	F.I.PUMP ASSY	1							
2	2	105546-51020	GASKET	1							
3	2	114250-51080	PLATE	1							
4	2	114250-51160	SPRING, PLUNGER	1							
5	2	114139-51200	BODY ASSY, PUMP	1							
11	4	22351-020006	PIN, SPRING 2.0X 6	2							
12	2	114250-51300	VALVE ASSY, DELIVERY	1							
15	2	105546-51330	SPRING, DELIVERY	1							
16	2	114250-51340	HOLDER, DELIVERY	1							
17	2	124550-51350	GASKET, DELIVERY	2							
18	2	114250-51500	LEVER, CONTROL	1							
19	2	114250-51640	SEAT, SPRING A	1							
20	2	114250-51650	SEAT, SPRING B	1							
21	2	22351-030008	PIN, SPRING 3.0X 8	1							
23	1	714139-53200	VALVE ASSY, INJECTION	1							
24	2	114250-53080	NUT, NOZZLE D16.95	1							
25	2	114139-53100	HOLDER ASSY, NOZZLE	1							
29	3	22351-025005	PIN, SPRING 2.5X 6	1							
30	2	114250-53120	SPRING, NOZZLE	1							
31	2	114250-53130	SEAT, SPRING	1							
32	2	114250-53140	PLATE	1							
33	2	114139-53200	NOZZLE ASSY	1							
36	2	114250-53210	PIN	2							
37	2	119803-53400	SHIM SET	1							
65	1	114120-59800	PIPE ASSY, INJECTION	1							
72	1	114110-76910	VALVE ASSY, F/O CUT	1							
73	1	114299-83020	GASKET, 10X1.2	1							

Fig.18. CONTROL EQUIPMENT

(A)=L48N6CC1T1HANR
(B)=
(C)=

(D)=
(E)=
(F)=

No.	Lev.	Parts No.	Description	Q'ty						I	R
				(A)	(B)	(C)	(D)	(E)	(F)		
1	1	114220-07160	LABEL, THAI	1							
2	1	714210-66100	SPEED CTRL, THAI	1							
3	2	114210-66060	HANDLE ASY,REGULATOR	1							
6	3	26117-050089	BOLT, M5X 8 PLATED	1							
7	2	114210-66100	BRACKET, REGULATOR	1							
8	2	114299-66440	BOLT, ADJUSTING	1							
9	2	114299-67080	BOLT, ADJUSTING	1							
10	2	160725-78350	KNOB	1							
11	2	26347-060002	NUT, M6	1							
12	2	26857-060002	NUT, M6	2							
13	1	114299-66250	SPRING, RETURN	1							
14	1	26106-060142	BOLT, M6X 14 PLATED	1							
15	1	26106-060202	BOLT, M6X 20 PLATED	1							
17	1	114770-66010	SPRING, REGULATOR	1							
18	1	114299-66201	SPRING, RETURN	1							
19	1	114211-66600	LIMITER ASSY, FUEL	1							
24	1	26776-100002	NUT, LOCK M10	1							
26	1	114780-61090	TIN	2							
27	1	22451-060000	WIRE, 0.6	2							

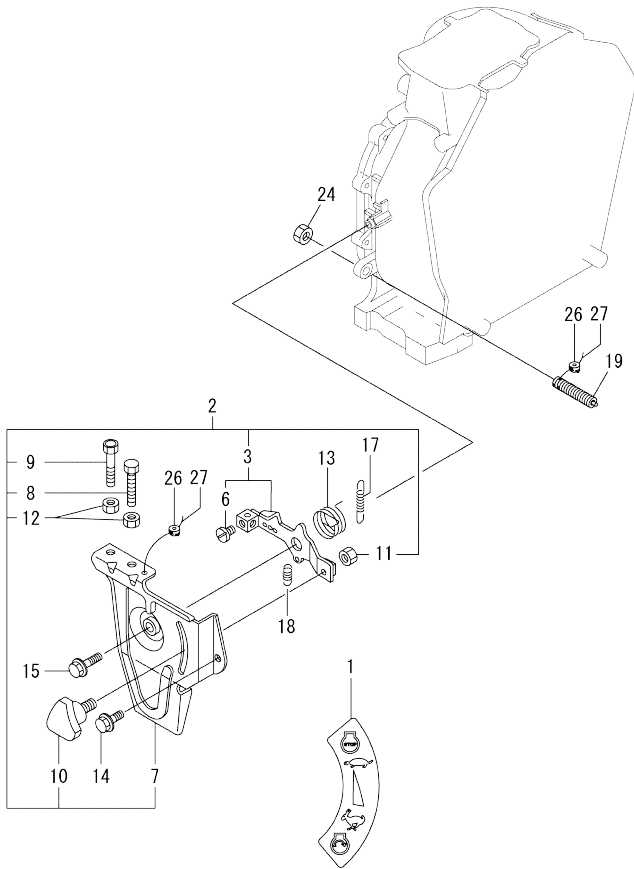
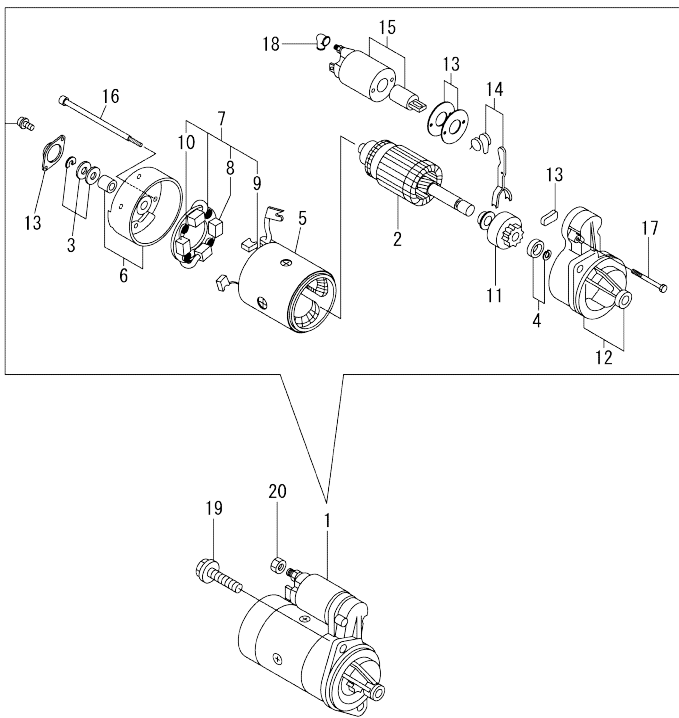


Fig.19. STARTER MOTOR

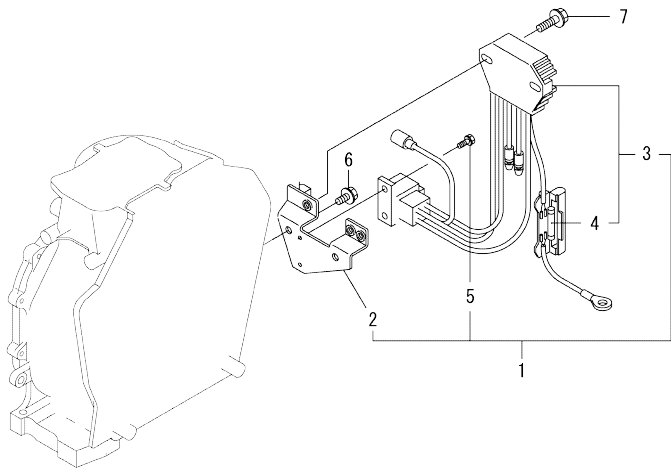


(A)=L48N6CC1T1HANR
(B)=
(C)=

(D)=
(E)=
(F)=

No.	Lev.	Parts No.	Description	Q'ty						I	R
				(A)	(B)	(C)	(D)	(E)	(F)		
1	1	114362-77011	STARTER	1							
2	2	114381-77110	ARMATURE	1							
3	2	X2114811000	WASHER KIT, THRUST	1							
4	2	X2114715500	STOPPER SET	1							
5	2	114381-77130	COIL ASSY, FIELD	1							
6	2	114381-77140	COVER	1							
7	2	114371-77160	HOLDER ASSY, BRUSH	1							
8	3	114371-79040	BRUSH	2							
9	3	114371-79050	BRUSH	1							
10	3	114371-79060	SPRING	4							
11	2	X211485016	PINION ASSY	1							
12	2	114381-77151	CASE ASSY	1							
13	2	114371-77170	COVER ASSY, DUST	1							
14	2	114371-77180	LEVER KIT, SHIFT	1							
15	2	124298-77020	SWITCH, MAGNETIC	1							
16	2	124195-77770	BOLT, THROUGH	2							
17	2	114371-79070	BOLT	2							
18	2	X2114274200	COVER	1							
19	1	26106-100302	BOLT, M10X 30 PLATED	2							
20	1	26716-080002	NUT, M8	1							

Fig.20. ELECTRIC PARTS



(A)=L48N6CC1T1HANR
(B)=
(C)=

(D)=
(E)=
(F)=

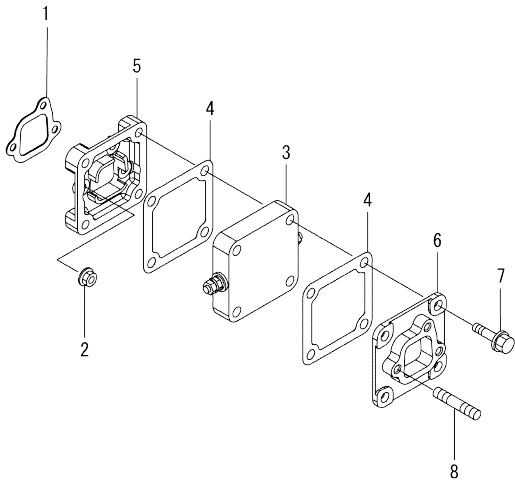
No.	Lev.	Parts No.	Description	Q'ty						I	R
				(A)	(B)	(C)	(D)	(E)	(F)		
1	1	114399-77560	REG. & HARNESS ASSY	1							
2	2	114399-77410	BRACKET, HARNESS	1							
3	2	114399-77720	REGULATOR	1							
4	3	114399-78000	FUSE(20A)	1							
5	2	26023-040102	SCREW, M4X10	2							
6	1	26106-060122	BOLT, M6X 12 PLATED	2							
7	1	26106-060202	BOLT, M6X 20 PLATED	2							

OCC50-M00350 ENGINE
 Fig.21. AIR HEATER

OCC50-M00350 Fig.21

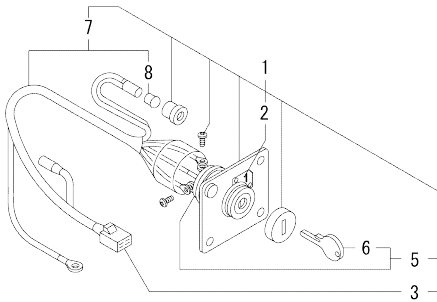
(A)=L48N6CC1T1HANR
 (B)=
 (C)=

(D)=
 (E)=
 (F)=



No.	Lev.	Parts No.	Description	Q'ty					
				(A)	(B)	(C)	(D)	(E)	(F)
1	1	114299-12210	GASKET, AIR CLEANER	1					
2	1	114299-12300	NUT	3					
3	1	129100-77501	HEATER	1					
4	1	129100-77510	GASKET	2					
5	1	183375-77560	JOINT, AIR HEATER A	1					
6	1	183375-77570	JOINT, AIR HEATER B	1					
7	1	26106-080352	BOLT, M8X 35 PLATED	4					
8	1	26226-060142	STUD, M6X 14	3					

Fig.22. KEY SWITCH



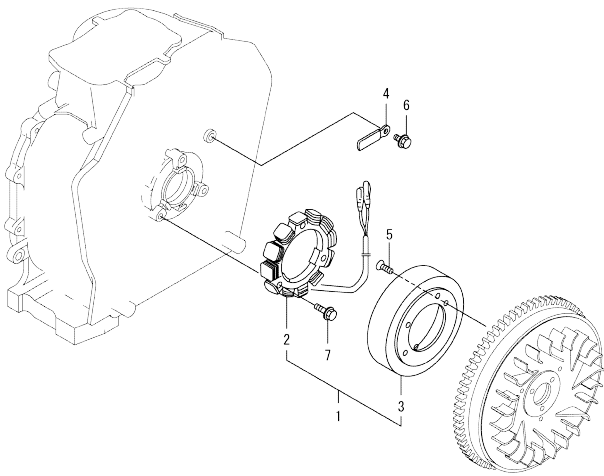
(A)=L48N6CC1T1HANR
(B)=
(C)=

(D)=
(E)=
(F)=

No.	Lev.	Parts No.	Description	Q'ty					
				(A)	(B)	(C)	(D)	(E)	(F)
1	1	114220-77500	PANEL ASSY,KEYSWITCH	1					
2	2	114220-07170	LABEL, START SWITCH	1					
3	2	114351-77520	COUPLER	1					
5	2	106100-77620	SWITCH, KEY	1					
6	3	106100-77630	KEY, SWITCH	1					
7	2	114351-77700	HARNES, WIRE	1					
8	3	29220-083200	BULB (12V/3.4W)	1					

OCC50-M00350 ENGINE
 Fig.23. DYNAMO

OCC50-M00350 Fig.23

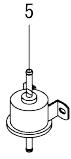
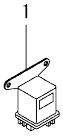


(A)=L48N6CC1T1HANR
 (B)=
 (C)=

(D)=
 (E)=
 (F)=

No.	Lev.	Parts No.	Description	Q'ty						I	R
				(A)	(B)	(C)	(D)	(E)	(F)		
1	1	114399-78280	DINAMO ASSY, 15A	1							
2	2	114399-78770	STATOR ASSY	1							
3	2	114399-78780	WHEEL, DYNAMO	1							
4	1	160710-78710	CLAMP, CORD	1							
5	1	114210-78800	SCREW, COUNTERSUNK M6	3							
6	1	26106-060122	BOLT, M6X 12 PLATED	1							
7	1	26106-060202	BOLT, M6X 20 PLATED	3							

Fig.24. ACCESSORY

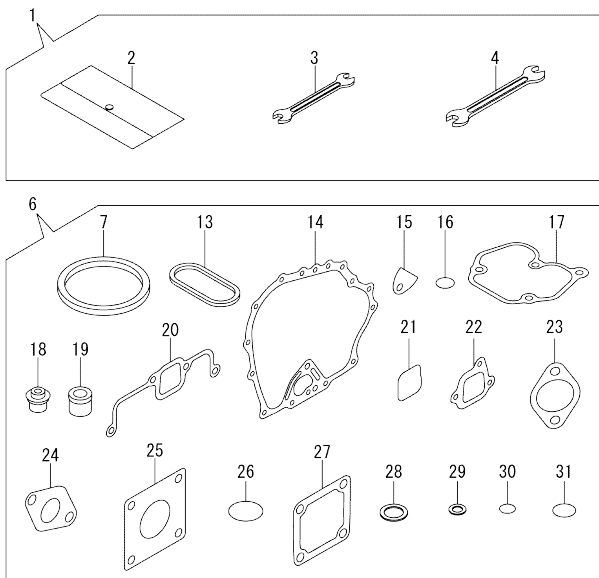


(A)=L48N6CC1T1HANR
(B)=
(C)=

(D)=
(E)=
(F)=

No.	Lev.	Parts No.	Description	Q'ty					
				(A)	(B)	(C)	(D)	(E)	(F)
1	1	119650-77911	RELAY ASSY, GLOW	1					
5	1	119225-52102	PUMP ASSY, FUEL FEED	1					
7	1	114299-59850	ORIFICE	1					

Fig.25. TOOL & GASKET SET



(A)=L48N6CC1T1HANR
(B)=
(C)=

(D)=
(E)=
(F)=

No.	Lev.	Parts No.	Description	Qty						I	R	
				(A)	(B)	(C)	(D)	(E)	(F)			
1	1	114299-92590	BOX, TOOL	1								
2	2	114299-92600	BAG, TOOL	1								
3	2	114299-92710	WRENCH	1								
4	2	114299-92720	WRENCH	1								
6	1	114120-92600	GASKET SET	1								1
7	2	114295-01330	GASKET, HEAD	1								
13	2	114299-01380	O-RING	1								
14	2	114299-01410	GASKET, CRANK CASE	1								
15	2	114250-01841	GASKET	1								
16	2	114299-01950	O-RING, 18	2								
17	2	114771-11310	GASKET, BONNET	1								
18	2	114250-11341	SEAL, VALVE STEM	2								
19	2	114771-11461	GASKET, NOZZLE	1								
20	2	114771-12200	GASKET	1								
21	2	114288-12210	O-RING	1								
22	2	114299-12210	GASKET, AIR CLEANER	2								
23	2	114299-12920	GASKET, AIR CLEANER	1								
24	2	114299-13200	GASKET, MUFFLER	1								
25	2	114299-21980	GASKET	1								
26	2	114299-32570	O-RING	1								
27	2	129100-77510	GASKET	3								
28	2	22190-160002	WASHER, SEAL 16	2								
29	2	23414-080000	GASKET, 8X1.0	1								
30	2	24341-000150	O-RING, 1AS15.0	1								
31	2	24341-000224	O-RING, 1AS22.4	1								

Remarks
(1)Optional parts.

Parts No. Index

Parts No.	Fig. No.	Ref. No.
105546-51020	17	2
105546-51330	17	15
106100-77620	22	5
106100-77630	22	6
114110-01020	1	1
114110-11910	4	27
114110-23200	11	28
114110-39290	14	1
114110-76910	17	72
114111-01450	1	32 -1
114120-11120	4	8
114120-12550	6	3
114120-45180	16	8
114120-45330	16	5
114120-59800	17	65
114120-92600	25	6
11412C-23700	11	24 -1
114139-51200	17	5
114139-53100	17	25
114139-53200	17	33
114210-66060	18	3
114210-66100	18	7
114210-78800	23	5
114211-66600	18	19
114220-07130	3	9
114220-07160	3	5
	18	1
114220-07170	22	2
114220-77500	22	1
114240-11450	4	23
114240-11550	4	24
114250-01841	1	25
	25	15
114250-02100	1	35
114250-02113	1	45
114250-02200	1	41
114250-02210	1	42
114250-03591	4	37
114250-11180	4	9
114250-11240	4	14
		18
114250-11341	4	21
	25	18
114250-12520	6	4
114250-12530	6	5
114250-12550	6	8
114250-12560	6	6
114250-12570	6	3 -1
114250-12581	6	7
114250-14451	8	8

Parts No.	Fig. No.	Ref. No.
114250-32010	13	1
114250-51080	17	3
114250-51160	17	4
114250-51300	17	12
114250-51340	17	16
114250-51500	17	18
114250-51640	17	19
114250-51650	17	20
114250-53080	17	24
114250-53120	17	30
114250-53130	17	31
114250-53140	17	32
114250-53210	17	36
114288-12210	25	21
114295-01330	25	7
114295-01340	1	10
114295-11951	4	35
114295-45150	16	1
114295-61170	13	17
114299-01200	1	5
114299-01210	1	6
114299-01220	1	7
114299-01230	1	8
114299-01380	1	11
	25	13
114299-01410	1	31
	25	14
114299-01450	1	32
114299-01600	1	12
114299-01690	2	1
114299-01760	2	2
114299-01800	1	13
114299-01830	1	24
114299-01950	2	4
	25	16
114299-02030	1	44
114299-02220	1	46
114299-03640	4	40
114299-07111	3	2
114299-11600	4	25
114299-11901	4	26
114299-12210	6	1
	21	1
	25	22
114299-12300	6	2
	21	2
114299-12310	5	4
114299-12920	25	23
114299-13200	7	1
	25	24

Parts No.	Fig. No.	Ref. No.
114299-13800	7	11
114299-14200	8	6
114299-21220	10	1
114299-21550	10	2
114299-21590	10	3
114299-21600	10	6
114299-21980	25	25
114299-22300	11	9
114299-32070	13	7
114299-32570	13	8
	25	26
114299-35110	13	12
114299-35150	1	38
114299-45210	15	1
114299-45301	16	3
114299-45310	16	4
114299-45350	16	6
114299-59850	24	7
114299-61190	13	22
114299-61210	13	24
114299-61600	13	31
114299-61700	13	23
114299-66201	18	18
114299-66250	18	13
114299-66440	18	8
114299-67080	18	9
114299-76600	15	4
114299-76610	15	5
114299-83020	17	73
114299-92590	25	1
114299-92600	25	2
114299-92710	25	3
114299-92720	25	4
11429C-11030	4	1
11429C-11100	4	6
11429C-11110	4	7
11429C-11250	4	10
11429C-11260	4	11
11429C-11650	4	12
11429C-11660	4	16
11429C-13500	7	2
11429C-13510	7	2 -1
11429C-13700	7	4
11429C-21750	9	1
11431C-13720	7	5
114351-77520	22	3
114351-77700	22	7
114362-77011	19	1
114371-77160	19	7
114371-77170	19	13

Parts No.	Fig. No.	Ref. No.
114371-77180	19	14
114371-79040	19	8
114371-79050	19	9
114371-79060	19	10
114371-79070	19	17
114381-77110	19	2
114381-77130	19	5
114381-77140	19	6
114381-77151	19	12
114399-77410	20	2
114399-77560	20	1
114399-77720	20	3
114399-78000	20	4
114399-78280	23	1
114399-78770	23	2
114399-78780	23	3
114740-02110	1	35 -1
114740-02200	1	41 -1
114740-02210	1	42 -1
114740-23100	11	27 -1
114740-23600	11	29 -1
114740-23610	11	31 -1
114740-23620	11	33 -1
114770-23100	11	27
114770-61520	13	30
114770-61610	13	32
114770-66010	18	17
114771-11310	4	34
	25	17
114771-11461	25	19
114771-12010	5	1
114771-12200	5	2
	25	20
114771-14260	8	7
114780-61090	18	26
119225-52102	24	5
119260-11370	4	22
119650-77911	24	1
119803-53400	17	37
124195-77770	19	16
124298-77020	19	15
124550-51350	17	17
124950-01250	1	9
129100-77501	21	3
129100-77510	21	4
	25	27
160210-02220	1	47
160310-14550	9	10
160642-21150	9	11
160642-21250	9	12

Parts No. Index

Parts No.	Fig. No.	Ref. No.
160710-78710	23	4
160725-78350	18	10
171022-39470	14	4
183250-39450	14	2
183366-39460	14	3
183375-77560	21	5
183375-77570	21	6
22117-100000	14	5
22190-160002	2	5
	25	28
22242-000120	4	20
22252-000190	11	10
22312-030160	4	43
	13	9
22312-040080	1	26
22322-030200	13	33
22351-020006	17	11
22351-025005	17	29
22351-030008	17	21
22351-040008	4	28
22451-060000	18	27
22512-040120	10	7
23414-080000	25	29
24101-062020	12	6
24162-152112	1	48
24341-000150	25	30
24341-000224	13	14
	25	31
26023-040102	20	5
26106-060082	16	9
26106-060122	13	10
	15	2
	20	6
26106-060142	23	6
	18	14
26106-060162	13	15
26106-060202	18	15
	20	7
	23	7
26106-060252	1	39
	5	5
26106-060452	4	29
26106-060552	4	46
26106-080122	1	49
26106-080162	7	6 -1
26106-080352	1	40
	21	7
26106-100302	19	19
26117-050089	18	6

Parts No.	Fig. No.	Ref. No.
26216-080182	7	8
26226-060142	5	6
	21	8
26226-060182	1	27
26226-060222	1	28
26306-080002	7	9
26347-060002	18	11
26366-060002	1	29
	4	30
26557-040082	14	6
26716-080002	19	20
26776-100002	18	24
26856-060002	4	15
	19	19
26857-060002	18	12
27310-055001	4	31
29220-083200	22	8
714120-22590	11	17
714120-22630	11	11
714120-22720	11	1
714139-51300	17	1
714139-53200	17	23
714210-66100	18	2
714295-22500	11	3
714295-22560	11	13
714295-22570	11	19
71429C-14010	8	1
71429C-23010	11	24
714770-23600	11	29
714770-23610	11	31
714770-23620	11	33
714770-28531	12	1
X2114274200	19	18
X2114715500	19	4
X2114811000	19	3
X211485016	19	11

Parts No.	Fig. No.	Ref. No.
-----------	----------	----------

Parts No.	Fig. No.	Ref. No.
-----------	----------	----------