

0CC50-M00260EN

P R E F A C E

This parts catalog is the 1st edition of L48N6FF1Z3AAFV for FAST VERDINI.

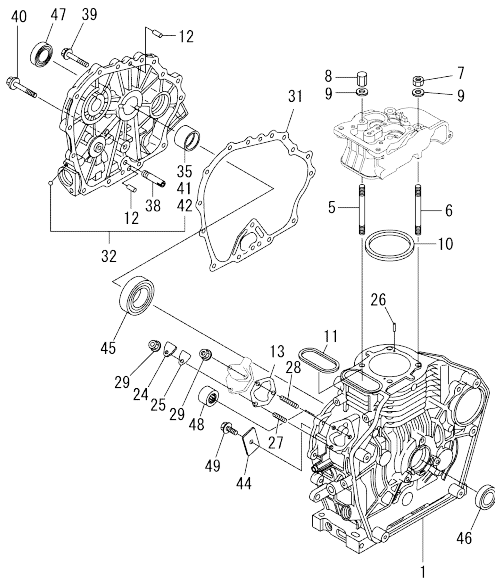
Published : December, 2014

Contents

0CC50-M00260

Fig. No.	Fig. Name	Fig. No.	Fig. Name
ENGINE			
1.	CYLINDER BLOCK		
2.	DRAIN PLUG		
3.	LABEL		
4.	CYLINDER HEAD & BONNET		
5.	SUCTION MANIFOLD		
6.	AIR CLEANER		
7.	EXHAUST MUFFLER		
8.	CAMSHAFT		
9.	CRANKSHAFT		
10.	FLYWHEEL		
11.	PISTON & CONNECTING ROD		
12.	BALANCER SHAFT		
13.	LUB. OIL PUMP & GOVERNOR		
14.	OIL PRESSURE SWITCH CAP		
15.	COVER		
16.	COOLING FAN CASE		
17.	FUEL INJECTION PUMP & FUEL INJECTION VALVE		
18.	FUEL TANK & FUEL PIPE		
19.	SPEED CONTROL DEVICE		
20.	RECOIL STARTER		
21.	TOOL & GASKET SET		

Fig.1. CYLINDER BLOCK



(A)=L48N6FF1Z3AAFV
(B)=
(C)=

(D)=
(E)=
(F)=

No.	Lev.	Parts No.	Description	Q'ty						I	R
				(A)	(B)	(C)	(D)	(E)	(F)		
1	1	114110-01020	BLOCK ASSY, CYLINDER	1							
5	1	114299-01200	BOLT, HEAD A	2							
6	1	114299-01210	BOLT, HEAD B	2							
7	1	114299-01220	NUT, CYLINDER HEAD A	2							
8	1	114299-01230	NUT, CYLINDER HEAD B	2							
9	1	124950-01250	WASHER, HEAD BOLT	4							
10	1	114295-01340	GASKET, HEAD T=0.5	1							
11	1	114299-01380	O-RING	1							
12	1	114299-01600	PIN, PARALLEL 8X12	2							
13	1	114299-01800	SHIM SET, PUMP	1							
24	1	114299-01830	COVER, PUMP	1							
25	1	114250-01841	GASKET, COVER	1							
26	1	22312-040080	PIN, PARALLEL M4X 8	2							
27	1	26226-060182	STUD, M6X 18	1							
28	1	26226-060222	STUD, M6X 22	2							
29	1	26366-060002	NUT, M6	3							
31	1	114299-01410	GASKET, CRANK CASE	1							
32	1	114299-01450	COVER, CRANK CASE D	1							
32-1	1	114111-01450	COVER, CRANK CASE D	1							N
		(A=2019.02)									
35	2	114250-02100	METAL, MAIN	1							1
35-1	2	114740-02110	BEARING, MAIN	1							N 1
		(A=2019.07)									
38	1	114299-35150	PIPE, OIL INLET	1							
39	1	26106-060252	BOLT, M6X 25 PLATED	14							
40	1	26106-080352	BOLT, M8X 35 PLATED	1							
41	1	114250-02200	METAL, MAIN 0.25 US	1							2
41-1	1	114740-02200	BEARING, MAIN 0.25OS	1							N 4
		(A=2019.07)									
42	1	114250-02210	METAL, MAIN 0.50 US	1							3
42-1	1	114740-02210	BEARING, MAIN 0.50OS	1							N 5
		(A=2019.07)									
44	1	114299-02030	RETAINER, BEARING	1							
45	1	114250-02113	BEARING, HR6306G3C3	1							
46	1	114299-02220	SEAL, OIL	1							
47	1	160210-02220	SEAL, OIL 25X41.2X8	1							
48	1	24162-152112	BEARING, 152112	1							
49	1	26106-080122	BOLT, M8X 12 PLATED	1							

Remarks

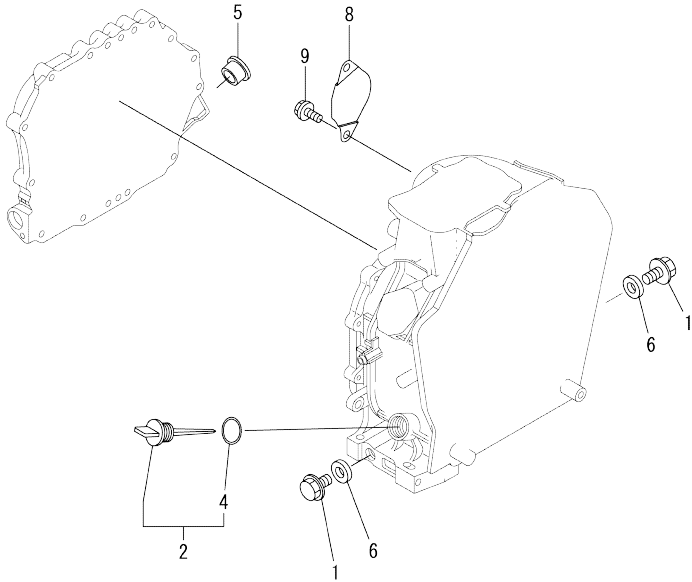
- (1) Spare parts.
- (2) Under-sized (U.S.=0.25) parts.
- (3) Under-sized (U.S.=0.50) parts.
- (4) Over-sized (O.S.=0.25) parts.
- (5) Over-sized (O.S.=0.50) parts.

OCC50-M00260 ENGINE
 Fig.2. DRAIN PLUG

OCC50-M00260 Fig.2

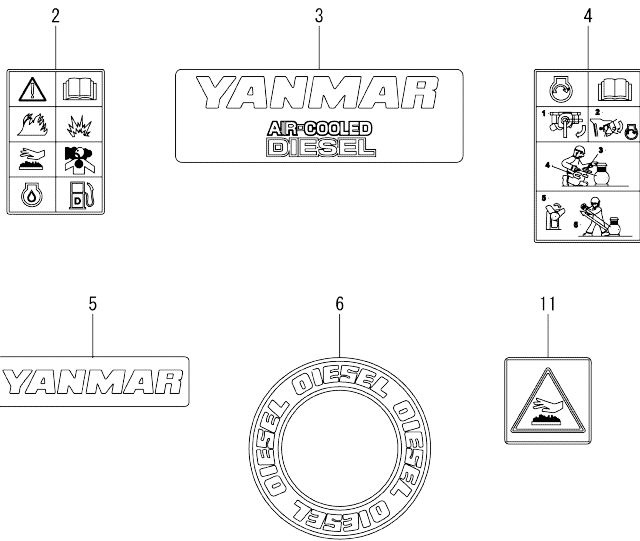
(A)=L48N6FF1Z3AAFV
 (B)=
 (C)=

(D)=
 (E)=
 (F)=



No.	Lev.	Parts No.	Description	Q'ty						I	R
				(A)	(B)	(C)	(D)	(E)	(F)		
1	1	114299-01690	PLUG, DRAIN 16	2							
2	1	114299-01760	CAP ASSY, OIL SUPPLY	1							
4	2	114299-01950	O-RING, 18	1							
5	1	160110-01870	PLUG, RUBBER 22	1							
5-1	1	114940-01870	PLUG, RUBBER 22	1							N
(A=2019.02)											
6	1	22190-160002	WASHER, SEAL 16	2							
8	1	114399-01700	COVER, STARTER	1							
9	1	26106-100122	BOLT, M10X 12 PLATED	2							

Fig.3. LABEL

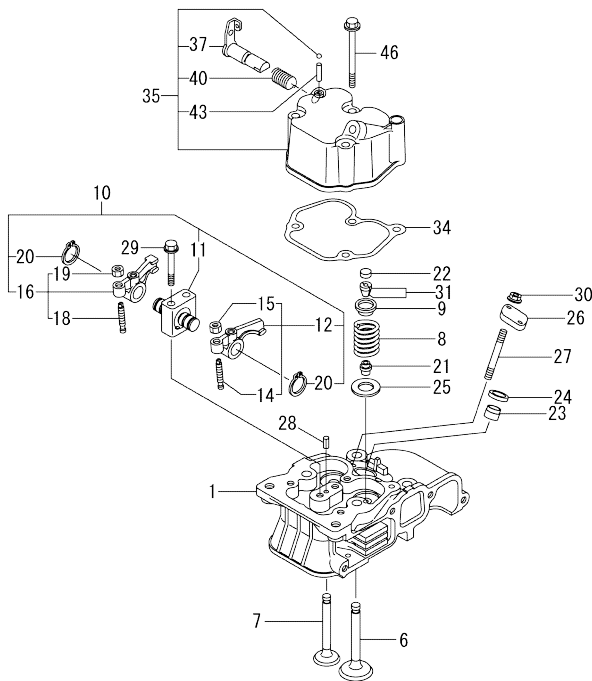


(A)=L48N6FF1Z3AAFV
(B)=
(C)=

(D)=
(E)=
(F)=

No.	Lev.	Parts No.	Description	Q'ty					
				(A)	(B)	(C)	(D)	(E)	(F)
2	1	114220-07100	LABEL, CAUTION	1					
3	1	114299-07101	LABEL, YANMAR MARK A	1					
4	1	114220-07110	LABEL HOW TO START-E	1					
5	1	114299-07111	LABEL, YANMAR MARK B	1					
6	1	114299-07160	LABEL, DIESEL	1					
11	1	114220-07130	LABEL, HOT SURFACE	1					

Fig.4. CYLINDER HEAD & BONNET



No.	Lev.	Parts No.	Description	Q'ty						I	R
				(A)	(B)	(C)	(D)	(E)	(F)		
1	1	11429C-11030	HEAD ASSY, CYLINDER	1							
6	1	11429C-11100	VALVE, INTAKE	1							
7	1	11429C-11110	VALVE, EXHAUST	1							
8	1	114120-11120	SPRING, VALVE	2							
9	1	114250-11180	RETAINER, SPRING	2							
10	1	11429C-11250	SUPPORT ASSY, ARM	1							
11	2	11429C-11260	SUPPORT, ROCKER ARM	1							
12	2	11429C-11650	ARM ASSY, ROCKER	1							
14	3	114250-11240	SCREW, VALVE ADJUST	1							
15	3	26856-060002	NUT, M6	1							
16	2	11429C-11660	ARM ASSY, ROCKER	1							
18	3	114250-11240	SCREW, VALVE ADJUST	1							
19	3	26856-060002	NUT, M6	1							
20	2	22242-000120	RING, 12	2							
21	1	114250-11341	SEAL, VALVE STEM	2							
22	1	119260-11370	CAP, VALVE	2							
23	1	114240-11450	PROTECTOR, NOZZLE	1							
24	1	114240-11550	SEAT, NOZZLE	1							
25	1	114299-11600	WASHER, VALVE SPRING	2							
26	1	114299-11901	RETAINER, NOZZLE	1							
27	1	114110-11910	STUD, M6X65	2							
28	1	22351-040008	PIN, SPRING 4.0X 8	1							
29	1	26106-060452	BOLT, M6X 45 PLATED	2							
30	1	26366-060002	NUT, M6	2							
31	1	27310-055001	COTTER, 5.5	2							
34	1	114771-11310	GASKET, BONNET	1							
35	1	114295-11951	BONNET ASSY, HEAD	1							
37	2	114250-03591	LEVER ASSY	1							
40	2	114299-03640	SPRING, DECOMPRESSION	1							
43	2	22312-030160	PIN, PARALLEL M3X16	1							
46	1	26106-060552	BOLT, M6X 55 PLATED	3							

Fig.5. SUCTION MANIFOLD

(A)=L48N6FF1Z3AAFV
 (B)=
 (C)=

(D)=
 (E)=
 (F)=

No.	Lev.	Parts No.	Description	Q'ty					
				(A)	(B)	(C)	(D)	(E)	(F)
1	1	114771-12010	PIPE, AIR INTAKE	1					
2	1	114771-12200	GASKET	1					
4	1	26106-060252	BOLT, M6X 25 PLATED	2					
5	1	26226-060142	STUD, M6X 14	1					
6	1	26226-060602	STUD, M6X 60	2					

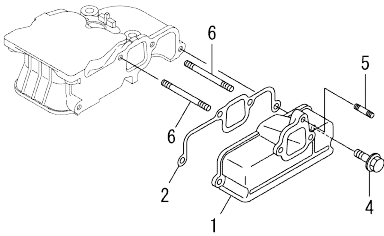
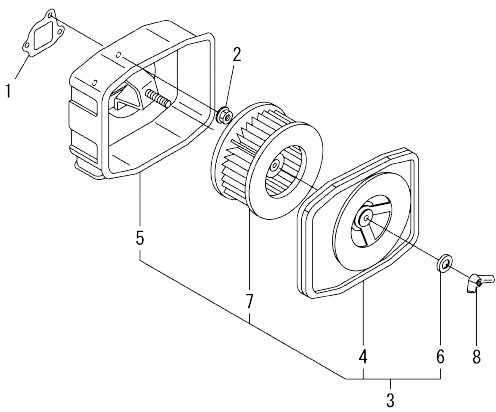


Fig.6. AIR CLEANER



(A)=L48N6FF1Z3AAFV
(B)=
(C)=

(D)=
(E)=
(F)=

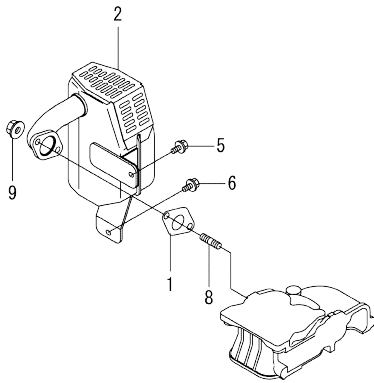
No.	Lev.	Parts No.	Description	Q'ty						I	R
				(A)	(B)	(C)	(D)	(E)	(F)		
1	1	114299-12210	GASKET, AIR CLEANER	1							
2	1	114299-12300	NUT	3							
3	1	114120-12550	CLEANER ASSY, AIR	1							
3-1	1	114250-12570	CLEANER, AIR	1							R
		(A=ES01051)									
4	2	114250-12520	COVER, AIR CLEANER	1							
5	2	114250-12530	CASE ASSY, CLEANER	1							
6	2	114250-12560	WASHER, SEAL M6	1							
7	2	114250-12581	ELEMENT, AIR CLEANER	1							
8	1	114250-12550	NUT, WING M6	1							

Fig.7. EXHAUST MUFFLER

(A)=L48N6FF1Z3AAFV
 (B)=
 (C)=

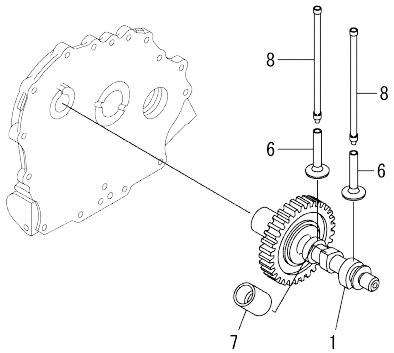
(D)=
 (E)=
 (F)=

No.	Lev.	Parts No.	Description	Q'ty					
				(A)	(B)	(C)	(D)	(E)	(F)
1	1	114299-13200	GASKET, MUFFLER	1					
2	1	114284-13500	MUFFLER ASSY	1					
5	1	26106-060142	BOLT, M6X 14 PLATED	1					
6	1	26106-060182	BOLT, M6X 18 PLATED	1					
8	1	26216-080182	STUD, M8X 18	2					
9	1	26306-080002	NUT, M8	2					



OCC50-M00260 ENGINE
 Fig.8. CAMSHAFT

OCC50-M00260 Fig.8



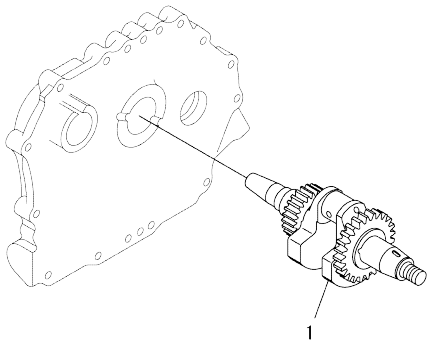
(A)=L48N6FF1Z3AAFV
 (B)=
 (C)=

(D)=
 (E)=
 (F)=

No.	Lev.	Parts No.	Description	Q'ty					
				(A)	(B)	(C)	(D)	(E)	(F)
1	1	71429C-14010	CAMSHAFT ASSY	1					
6	1	114299-14200	TAPPET	2					
7	1	114771-14260	TAPPET	1					
8	1	114250-14451	ROD ASSY, PUSH	2					

OCC50-M00260 ENGINE

Fig.9. CRANKSHAFT



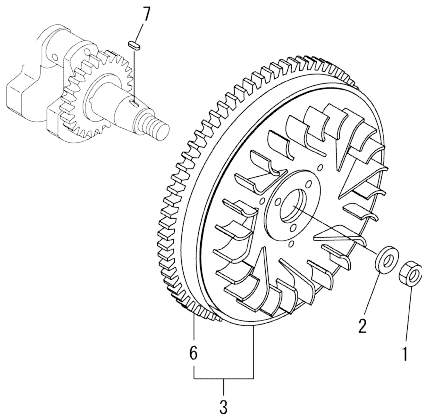
OCC50-M00260 Fig.9

(A)=L48N6FF1Z3AAFV
(B)=
(C)=

(D)=
(E)=
(F)=

No.	Lev.	Parts No.	Description	Q'ty						I	R
				(A)	(B)	(C)	(D)	(E)	(F)		
1	1	114120-21760	CRANKSHAFT ASSY,E-DI	1							

OCC50-M00260 ENGINE
 Fig.10. FLYWHEEL



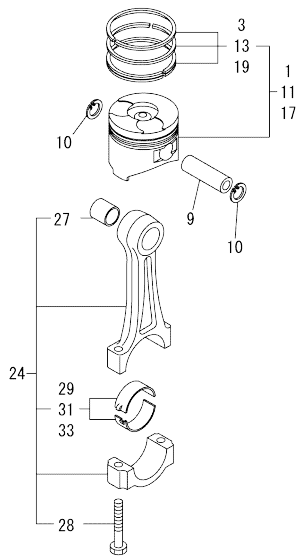
OCC50-M00260 Fig.10

(A)=L48N6FF1Z3AAFV
 (B)=
 (C)=

(D)=
 (E)=
 (F)=

No.	Lev.	Parts No.	Description	Q'ty					
				(A)	(B)	(C)	(D)	(E)	(F)
1	1	114299-21220	NUT	1					
2	1	114299-21550	WASHER	1					
3	1	114299-21590	FLYWHEEL ASSY	1					
6	2	114299-21600	GEAR, RING	1					
7	1	22512-040120	KEY, 4X 12	1					

Fig.11. PISTON & CONNECTING ROD



(A)=L48N6FF1Z3AAFV
(B)=
(C)=

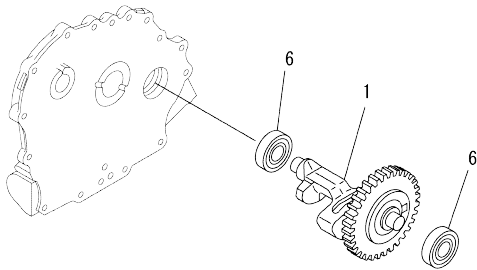
(D)=
(E)=
(F)=

No.	Lev.	Parts No.	Description	Q'ty						I	R
				(A)	(B)	(C)	(D)	(E)	(F)		
1	1	714120-22720	PISTON ASSY, D	1							
3	2	714295-22500	RING SET, PISTON	1							
9	1	114299-22300	PIN, PISTON D=19	1							
10	1	22252-000190	RING, 19	2							
11	1	714120-22630	PISTON ASSY, 0.25 OS	1							1
13	2	714295-22560	RING SET, PISTON .25	1							1
17	1	714120-22590	PISTON ASSY, 0.50 OS	1							2
19	2	714295-22570	RING SET, PISTON .50	1							2
24	1	71429C-23010	ROD ASSY, CONNECTING	1							
24-1	1	11412C-23700	ROD ASSY, CONNECTING	1							N
		(A=2019.02)									
27	3	114770-23100	BEARING, PISTON PIN	1							
27-1	3	114740-23100	BUSH, PISTON PIN	1							N
		(A=2019.02)									
28	3	114110-23200	BOLT, CONNECTING ROD	2							
29	2	714770-23600	METAL ASSY, CRANK PIN	1							
29-1	2	114740-23600	METAL, CRANK PIN	1							N
		(A=2019.10)									
31	1	714770-23610	METAL ASSY, PIN .25	1							3
31-1	1	114740-23610	METAL, CRANK PIN 0.25	1							N 1
		(A=2019.10)									
33	1	714770-23620	METAL ASSY, PIN .50	1							4
33-1	1	114740-23620	METAL, CRANK PIN 0.50	1							N 2
		(A=2019.10)									

Remarks

- (1)Over-sized(O.S.=0.25) parts.
- (2)Over-sized(O.S.=0.50) parts.
- (3)Under-sized(U.S.=0.25) parts.
- (4)Under-sized(U.S.=0.50) parts.

Fig.12. BALANCER SHAFT

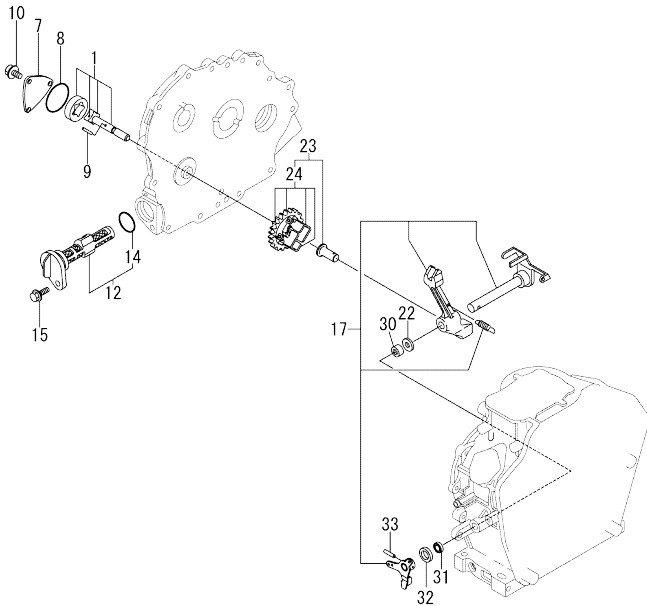


(A)=L48N6FF1Z3AAFV
(B)=
(C)=

(D)=
(E)=
(F)=

No.	Lev.	Parts No.	Description	Q'ty					
				(A)	(B)	(C)	(D)	(E)	(F)
1	1	714770-28531	SHAFT ASSY, BALANCER	1					
6	1	24101-062020	BEARING, BALL 6202C3	2					

Fig.13. LUB. OIL PUMP & GOVERNOR



(A)=L48N6FF1Z3AAFV
(B)=
(C)=

(D)=
(E)=
(F)=

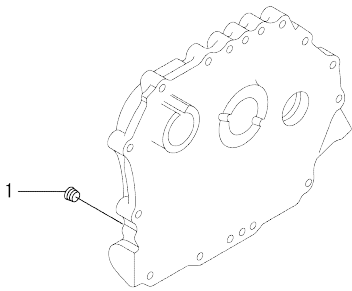
No.	Lev.	Parts No.	Description	Q'ty						I	R
				(A)	(B)	(C)	(D)	(E)	(F)		
1	1	114250-32010	PUMP ASSY, OIL	1							
7	1	114299-32070	COVER	1							
8	1	114299-32570	O-RING	1							
9	1	22312-030160	PIN, PARALLEL M3X16	1							
10	1	26106-060122	BOLT, M6X 12 PLATED	3							
12	1	114299-35110	FILTER ASSY, OIL	1							
14	2	24341-000224	O-RING, 1AS22.4	1							
15	1	26106-060162	BOLT, M6X 16 PLATED	1							
17	1	114295-61170	LEVER ASSY, GOVERNOR	1							1
22	1	114299-61190	WASHER	1							
23	1	114299-61700	GOVERNOR ASSY	1							
24	2	114299-61210	WEIGHT ASSY, GOVERNOR	1							
30	1	114770-61520	BEARING, NEEDLE	2							
31	1	114299-61600	SEAL, OIL	1							
32	1	114770-61610	WASHER, THRUST	1							
33	1	22322-030200	PIN, TAPER 3X20	1							

Remarks

(1) On a guarantee of quality component parts shall not be sold.

OCC50-M00260 ENGINE

Fig.14. OIL PRESSURE SWITCH CAP



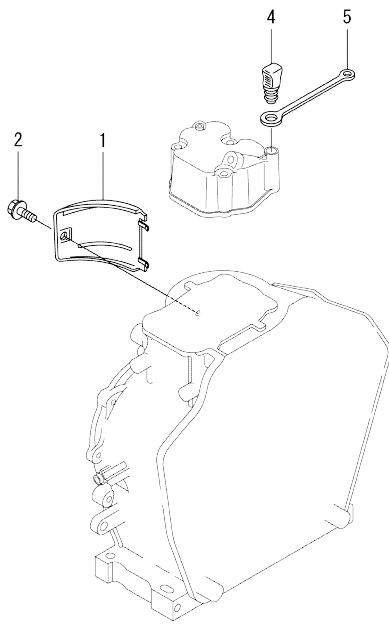
OCC50-M00260 Fig.14

(A)=L48N6FF1Z3AAFV
(B)=
(C)=

(D)=
(E)=
(F)=

No.	Lev.	Parts No.	Description	Qty						I	R
				(A)	(B)	(C)	(D)	(E)	(F)		
1	1	23876-010000	PLUG, R01	1							

OCC50-M00260 ENGINE
 Fig.15. COVER



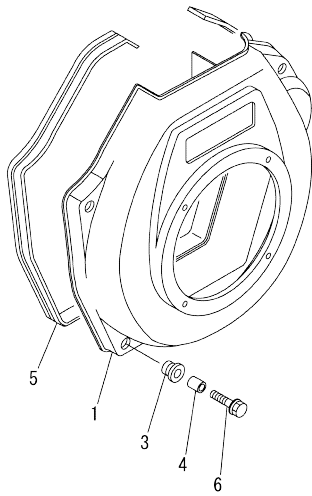
OCC50-M00260 Fig.15

(A)=L48N6FF1Z3AAFV
 (B)=
 (C)=

(D)=
 (E)=
 (F)=

No.	Lev.	Parts No.	Description	Q'ty					
				(A)	(B)	(C)	(D)	(E)	(F)
1	1	114299-45210	COVER	1					
2	1	26106-060122	BOLT, M6X 12 PLATED	1					
4	1	114299-76600	PLUNGER	1					
5	1	114299-76610	HOLDER, PLUNGER	1					

Fig.16. COOLING FAN CASE



(A)=L48N6FF1Z3AAFV
(B)=
(C)=

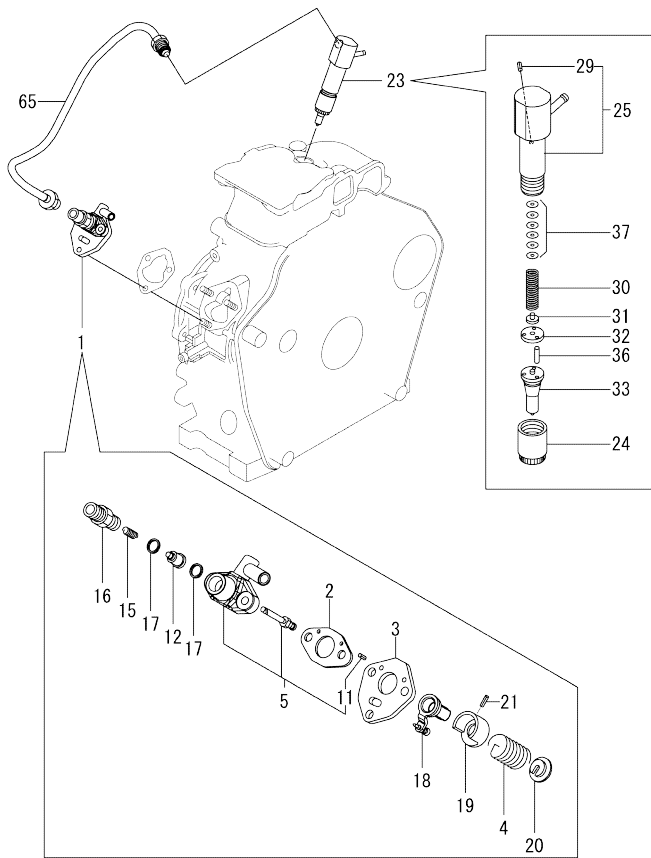
(D)=
(E)=
(F)=

No.	Lev.	Parts No.	Description	Q'ty						I	R
				(A)	(B)	(C)	(D)	(E)	(F)		
1	1	114295-45150	CASE, COOLING FAN	1							
3	1	114299-45301	RUBBER, CUSHION	4							
4	1	114299-45310	COLLAR	4							
5	1	114120-45330	SEAL, FAN CASE	1							
6	1	114299-45350	BOLT, FAN CASE	4							

Fig.17. FUEL INJECTION PUMP & FUEL INJECTION VALVE

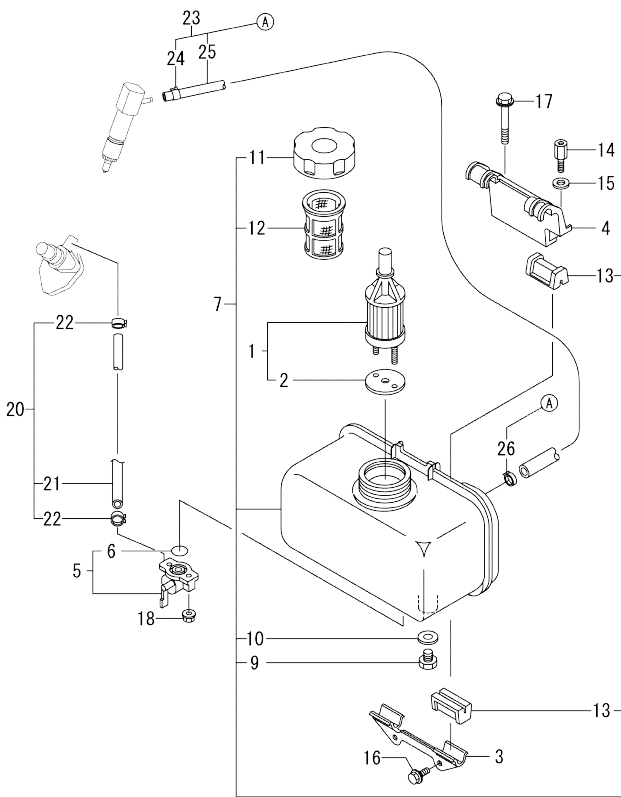
(A)=L48N6FF1Z3AAFV
(B)=
(C)=

(D)=
(E)=
(F)=



No.	Lev.	Parts No.	Description	Q'ty						I	R
				(A)	(B)	(C)	(D)	(E)	(F)		
1	1	714139-51200	PUMP ASSY, INJECTION	1							
2	2	105546-51020	GASKET	1							
3	2	114250-51080	PLATE	1							
4	2	114250-51160	SPRING, PLUNGER	1							
5	2	114350-51200	BODY ASSY, PUMP	1							
11	4	22351-020006	PIN, SPRING 2.0X 6	2							
12	2	114250-51300	VALVE ASSY, DELIVERY	1							
15	2	105546-51330	SPRING, DELIVERY	1							
16	2	114250-51340	HOLDER, DELIVERY	1							
17	2	124550-51350	GASKET, DELIVERY	2							
18	2	114250-51500	LEVER, CONTROL	1							
19	2	114250-51640	SEAT, SPRING A	1							
20	2	114250-51650	SEAT, SPRING B	1							
21	2	22351-030008	PIN, SPRING 3.0X 8	1							
23	1	714139-53200	VALVE ASSY, INJECTION	1							
24	2	114250-53080	NUT, NOZZLE D16.95	1							
25	2	114139-53100	HOLDER ASSY, NOZZLE	1							
29	3	22351-025005	PIN, SPRING 2.5X 6	1							
30	2	114250-53120	SPRING, NOZZLE	1							
31	2	114250-53130	SEAT, SPRING	1							
32	2	114250-53140	PLATE	1							
33	2	114139-53200	NOZZLE ASSY	1							
36	2	114250-53210	PIN	2							
37	2	119803-53400	SHIM SET	1							
65	1	114120-59800	PIPE ASSY, INJECTION	1							

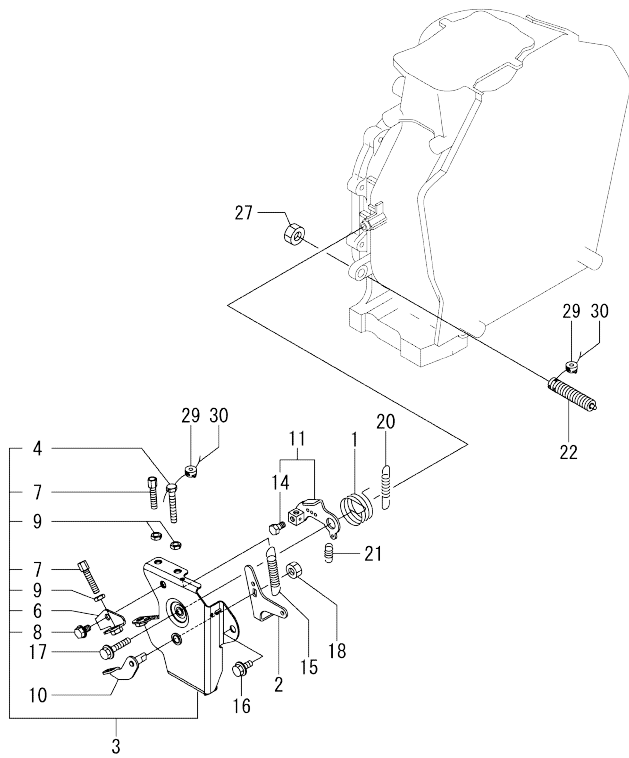
Fig.18. FUEL TANK & FUEL PIPE



No.	Lev.	Parts No.	Description	Qty						I	R
				(A)	(B)	(C)	(D)	(E)	(F)		
1	1	114250-55121	FILTER ASSY, FUEL	1							
2	2	114250-55130	GASKET	1							
3	1	114299-55210	STAY, FUEL TANK A	1							
4	1	114299-55230	STAY, FUEL TANK B	1							
5	1	114250-55301	COCK ASSY, FUEL	1							
6	2	24341-000150	O-RING, 1AS15.0	1							
7	1	11429C-55710	TANK ASSY, FUEL	1							
9	2	114299-55080	PLUG, DRAIN	1							
10	2	23414-080000	GASKET, 8X1.0	1							
11	2	114299-55040	CAP ASSY, FUEL TANK	1							
12	2	114299-55100	ELEMENT, FUEL FILTER	1							
13	2	114250-55201	DAMPER, FUEL TANK	4							
14	1	114210-55810	BOLT, LIFTING	1							
15	1	22117-080000	WASHER, 8	1							
16	1	26106-060162	BOLT, M6X 16 PLATED	2							
17	1	26106-080452	BOLT, M8X 45 PLATED	1							
18	1	26366-060002	NUT, M6	2							
20	1	114780-59010	PIPE ASSY, FUEL L50	1							
21	2	114780-59060	PIPE, FUEL L=50	1							
22	2	23080-014000	CLAMP, 14	2							
23	1	114120-59300	PIPE ASSY, RETURN	1							
23-1	1	114120-59301	PIPE ASSY, FO RETURN	1							N
		(A=2019.03)									
24	2	124722-59050	CLAMP, HOSE 9	1							
25	2	114650-59060	PIPE, FUEL RETURN	1							
25-1	2	114650-59061	PIPE, FO RETURN	1							N
		(A=2019.03)									
26	2	124066-59100	CLAMP, HOSE 8	1							

N:Old $\frac{100}{100}$ New, Q:Old $\frac{100}{100}$ New, R:Old $\frac{100}{100}$ New, S:Old $\frac{100}{100}$ New, W:Add, Z:Discontinued, F:Interchangeable by set, K:Qty Change
 Copyright (C) 2014 YANMAR GLOBAL CS CO., LTD. All Rights Reserved.

Fig.19. SPEED CONTROL DEVICE



(A)=L48N6FF1Z3AAFV
(B)=
(C)=

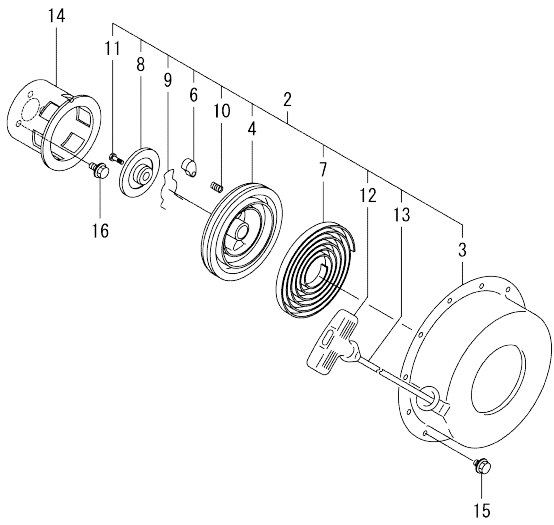
(D)=
(E)=
(F)=

No.	Lev.	Parts No.	Description	Q'ty						I	R
				(A)	(B)	(C)	(D)	(E)	(F)		
1	1	114299-66250	SPRING, RETURN	1							
2	1	114299-66920	LEVER, STOP	1							
3	1	714299-66921	SPEED CONTROL TP 02	1							
4	2	114299-66440	BOLT, ADJUSTING	1							
6	2	114299-66950	STAY, STOP CABLE	1							
7	2	114299-67080	BOLT, ADJUSTING	2							
8	2	26106-060102	BOLT, M6X 10 PLATED	1							
9	2	26857-060002	NUT, M6	3							
10	1	114299-66932	LEVER, STOP-IN	1							
11	1	114299-66940	LEVER ASSY,REGULATOR	1							
14	2	26117-050089	BOLT, M5X 8 PLATED	1							
15	1	114299-66960	SPRING	1							
16	1	26106-060142	BOLT, M6X 14 PLATED	1							
17	1	26106-060302	BOLT, M6X 30 PLATED	1							
18	1	26757-080002	NUT, LOCK M8	1							
20	1	114770-66010	SPRING, REGULATOR	1							
21	1	114299-66201	SPRING, RETURN	1							
22	1	114211-66600	LIMITER ASSY, FUEL	1							
27	1	26776-100002	NUT, LOCK M10	1							
29	1	114780-61090	TIN	2							
30	1	22451-060000	WIRE, 0.6	2							

Fig.20. RECOIL STARTER

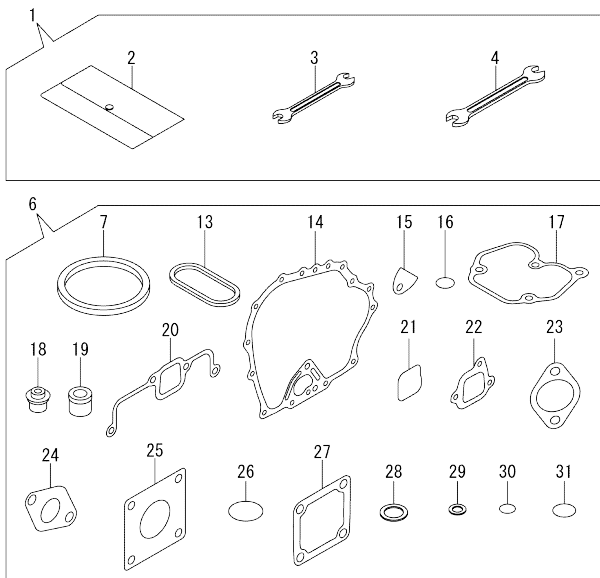
(A)=L48N6FF1Z3AAFV
(B)=
(C)=

(D)=
(E)=
(F)=



No.	Lev.	Parts No.	Description	Q'ty					
				(A)	(B)	(C)	(D)	(E)	(F)
2	2	114299-76250	STARTER ASSY, RECOIL	1					
3	3	114299-76500	CASE, STARTER	1					
4	3	114299-76521	REEL	1					
6	3	114399-76531	RATCHET	1					
7	3	114399-76540	SPRING, SPIRAL	1					
8	3	114399-76550	COVER	1					
9	3	114399-76560	SPRING	1					
10	3	114399-76570	SPRING, RETURN	1					
11	3	114399-76580	SCREW	1					
12	3	114399-76620	KNOB, STARTER	1					
13	3	114299-76630	ROPE, STARTER	1					
14	2	114299-76590	PULLEY, STARTER	1					
15	1	26106-060082	BOLT, M6X 8 PLATED	4					
16	1	26106-060122	BOLT, M6X 12 PLATED	3					

Fig.21. TOOL & GASKET SET



No.	Lev.	Parts No.	Description	Q'ty						I	R
				(A)	(B)	(C)	(D)	(E)	(F)		
1	1	114299-92590	BOX, TOOL	1							
2	2	114299-92600	BAG, TOOL	1							
3	2	114299-92710	WRENCH	1							
4	2	114299-92720	WRENCH	1							
6	1	114120-92600	GASKET SET	1							1
7	2	114295-01330	GASKET, HEAD	1							
13	2	114299-01380	O-RING	1							
14	2	114299-01410	GASKET, CRANK CASE	1							
15	2	114250-01841	GASKET	1							
16	2	114299-01950	O-RING, 18	2							
17	2	114771-11310	GASKET, BONNET	1							
18	2	114250-11341	SEAL, VALVE STEM	2							
19	2	114771-11461	GASKET, NOZZLE	1							
20	2	114771-12200	GASKET	1							
21	2	114288-12210	O-RING	1							
22	2	114299-12210	GASKET, AIR CLEANER	2							
23	2	114299-12920	GASKET, AIR CLEANER	1							
24	2	114299-13200	GASKET, MUFFLER	1							
25	2	114299-21980	GASKET	1							
26	2	114299-32570	O-RING	1							
27	2	129100-77510	GASKET	3							
28	2	22190-160002	WASHER, SEAL 16	2							
29	2	23414-080000	GASKET, 8X1.0	1							
30	2	24341-000150	O-RING, 1AS15.0	1							
31	2	24341-000224	O-RING, 1AS22.4	1							

Remarks
(1)Optional parts.

Parts No. Index

Parts No.	Fig. No.	Ref. No.	Parts No.	Fig. No.	Ref. No.	Parts No.	Fig. No.	Ref. No.	Parts No.	Fig. No.	Ref. No.
105546-51020	17	2	114250-51650	17	20	114299-21590	10	3	114350-51200	17	5
105546-51330	17	15	114250-53080	17	24	114299-21600	10	6	114399-01700	2	8
114110-01020	1	1	114250-53120	17	30	114299-21980	21	25	114399-76531	20	6
114110-11910	4	27	114250-53130	17	31	114299-22300	11	9	114399-76540	20	7
114110-23200	11	28	114250-53140	17	32	114299-32070	13	7	114399-76550	20	8
114111-01450	1	32 -1	114250-53210	17	36	114299-32570	13	8	114399-76560	20	9
114120-11120	4	8	114250-55121	18	1		21	26	114399-76570	20	10
114120-12550	6	3	114250-55130	18	2	114299-35110	13	12	114399-76580	20	11
114120-21760	9	1	114250-55201	18	13	114299-35150	1	38	114399-76620	20	12
114120-45330	16	5	114250-55301	18	5	114299-45210	15	1	114650-59060	18	25
114120-59300	18	23	114284-13500	7	2	114299-45301	16	3	114650-59061	18	25 -1
114120-59301	18	23 -1	114288-12210	21	21	114299-45310	16	4	114740-02110	1	35 -1
114120-59800	17	65	114295-01330	21	7	114299-45350	16	6	114740-02200	1	41 -1
114120-92600	21	6	114295-01340	1	10	114299-55040	18	11	114740-02210	1	42 -1
11412C-23700	11	24 -1	114295-11951	4	35	114299-55080	18	9	114740-23100	11	27 -1
114139-53100	17	25	114295-45150	16	1	114299-55100	18	12	114740-23600	11	29 -1
114139-53200	17	33	114295-61170	13	17	114299-55210	18	3	114740-23610	11	31 -1
114210-55810	18	14	114299-01200	1	5	114299-55230	18	4	114740-23620	11	33 -1
114211-66600	19	22	114299-01210	1	6	114299-61190	13	22	114770-23100	11	27
114220-07100	3	2	114299-01220	1	7	114299-61210	13	24	114770-61520	13	30
114220-07110	3	4	114299-01230	1	8	114299-61600	13	31	114770-61610	13	32
114220-07130	3	11	114299-01380	1	11	114299-61700	13	23	114770-66010	19	20
114240-11450	4	23		21	13	114299-66201	19	21	114771-11310	4	34
114240-11550	4	24	114299-01410	1	31	114299-66250	19	1		21	17
114250-01841	1	25		21	14	114299-66440	19	4	114771-11461	21	19
	21	15	114299-01450	1	32	114299-66920	19	2	114771-12010	5	1
114250-02100	1	35	114299-01600	1	12	114299-66932	19	10	114771-12200	5	2
114250-02113	1	45	114299-01690	2	1	114299-66940	19	11		21	20
114250-02200	1	41	114299-01760	2	2	114299-66950	19	6	114771-14260	8	7
114250-02210	1	42	114299-01800	1	13	114299-66960	19	15	114780-59010	18	20
114250-03591	4	37	114299-01830	1	24	114299-67080	19	7	114780-59060	18	21
114250-11180	4	9	114299-01950	2	4	114299-76250	20	2	114780-61090	19	29
114250-11240	4	14		21	16	114299-76500	20	3	114940-01870	2	5 -1
		18	114299-02030	1	44	114299-76521	20	4	119260-11370	4	22
114250-11341	4	21	114299-02220	1	46	114299-76590	20	14	119803-53400	17	37
	21	18	114299-03640	4	40	114299-76600	15	4	124066-59100	18	26
114250-12520	6	4	114299-07101	3	3	114299-76610	15	5	124550-51350	17	17
114250-12530	6	5	114299-07111	3	5	114299-76630	20	13	124722-59050	18	24
114250-12550	6	8	114299-07160	3	6	114299-92590	21	1	124950-01250	1	9
114250-12560	6	6	114299-11600	4	25	114299-92600	21	2	129100-77510	21	27
114250-12570	6	3 -1	114299-11901	4	26	114299-92710	21	3	160110-01870	2	5
114250-12581	6	7	114299-12210	6	1	114299-92720	21	4	160210-02220	1	47
114250-14451	8	8		21	22	11429C-11030	4	1	22117-080000	18	15
114250-32010	13	1	114299-12300	6	2	11429C-11100	4	6	22190-160002	2	6
114250-51080	17	3	114299-12920	21	23	11429C-11110	4	7		21	28
114250-51160	17	4	114299-13200	7	1	11429C-11250	4	10	22242-000120	4	20
114250-51300	17	12		21	24	11429C-11260	4	11	22252-000190	11	10
114250-51340	17	16	114299-14200	8	6	11429C-11650	4	12	22312-030160	4	43
114250-51500	17	18	114299-21220	10	1	11429C-11660	4	16		13	9
114250-51640	17	19	114299-21550	10	2	11429C-55710	18	7	22312-040080	1	26

Parts No. Index

Parts No.	Fig. No.	Ref. No.
22322-030200	13	33
22351-020006	17	11
22351-025005	17	29
22351-030008	17	21
22351-040008	4	28
22451-060000	19	30
22512-040120	10	7
23080-014000	18	22
23414-080000	18	10
	21	29
23876-010000	14	1
24101-062020	12	6
24162-152112	1	48
24341-000150	18	6
	21	30
24341-000224	13	14
	21	31
26106-060082	20	15
26106-060102	19	8
26106-060122	13	10
	15	2
	20	16
26106-060142	7	5
	19	16
26106-060162	13	15
	18	16
26106-060182	7	6
26106-060252	1	39
	5	4
26106-060302	19	17
26106-060452	4	29
26106-060552	4	46
26106-080122	1	49
26106-080352	1	40
26106-080452	18	17
26106-100122	2	9
26117-050089	19	14
26216-080182	7	8
26226-060142	5	5
26226-060182	1	27
26226-060222	1	28
26226-060602	5	6
26306-080002	7	9
26366-060002	1	29
	4	30
	18	18
26757-080002	19	18
26776-100002	19	27
26856-060002	4	15
		19

Parts No.	Fig. No.	Ref. No.
26857-060002	19	9
27310-055001	4	31
714120-22590	11	17
714120-22630	11	11
714120-22720	11	1
714139-51200	17	1
714139-53200	17	23
714295-22500	11	3
714295-22560	11	13
714295-22570	11	19
714299-66921	19	3
71429C-14010	8	1
71429C-23010	11	24
714770-23600	11	29
714770-23610	11	31
714770-23620	11	33
714770-28531	12	1

Parts No.	Fig. No.	Ref. No.
-----------	----------	----------

Parts No.	Fig. No.	Ref. No.
-----------	----------	----------