

0CW10-M60800EN

P R E F A C E

1. This parts catalog is the 1st edition of L48N6FF3P4AA for VALPADANA.

Pub.No. : 0CW10-G60800

Published : March, 2010

2. Model name

Engine model	Vehicle	Vehicle made by
L48N6FF3P4AA	TILLER	VALPADANA

Directions for the Parts Catalog.

1. The parts stipulated in this Parts Catalog are not necessarily standard equipped parts.
2. Parts may change without prior notice.
3. The following is an example of the Parts Catalog format.

REF.	LEV.	PARTS NO.	DESCRIPTION	Q'TY						I	R
				(A)	(B)	(C)	(D)	(E)	(F)		
1	1	729595-51390	FUEL INJECTION PUMP	1	1	1	1	1			1
1-1	1	729595-51391	FUEL INJECTION PUMP	1	1	1	1	1		N	1
		(A=E00185) (B=E00200)									
3	2	26022-060162	SCREW M 6X 16	9	9	9	9	9			
3-1	2	26022-060162	SCREW M 6X 16	4	4	4	4	4		K	
		(A=E00156) (B=E00156) (C=E00156) (D=E00156) (E=E00156)									
4	2	129470-51040	CAMSHAFT	1	1	1	1	1			
5	2	122710-51050	BEARING, ROLLER	2	2	2	2	2			
6	2	129470-51060	RETAINER	1	1	1	1	1			

Remarks
(1) BOOST COMPEMSATOR TYPE. OPTIONAL PART, TO E00155,(4JH-DT, 4JH-DTZ

① Ref. No.

The Ref. No. listed may not be in accordance with the illustration Ref. No.

(Ex.) Illustration No.

List Ref No.

1 1 (Before change) → 1-1 (After change)

For interchangeable symbols N, R and K, illustrations for new parts may be abbreviated.

② Lev. (Level)

Level indication

The numbers below indicate the level of relativity towards the main part.

1 ---- Main parts (Assembly parts)

2 ---- Sub component included in " 1 ".

3 ---- Sub component included in " 2 ".

Note) Parts that are not for sale are partially illustrated but not listed.

③ Interchangeability Mark

When a part change takes place, one of the following interchangeability symbols is indicated beside the part.

Symbol	Interchangeability	Contents note
N	Old $\begin{matrix} \leftarrow \text{Yes} \\ \text{No} \rightarrow \end{matrix}$ New	New Part is interchangeable for Old Part but Old Part is not interchangeable for New Part.
Q	Old $\begin{matrix} \leftarrow \text{No} \\ \text{Yes} \rightarrow \end{matrix}$ New	New Part is not interchangeable for Old Part but Old Part is interchangeable for New Part.
R	Old $\begin{matrix} \leftarrow \text{Yes} \\ \text{Yes} \rightarrow \end{matrix}$ New	New/ Old Parts are both interchangeable.
S	Old $\begin{matrix} \leftarrow \text{No} \\ \text{No} \rightarrow \end{matrix}$ New	New/ Old Parts are both not interchangeable.
W		Part newly added.
Z		Part discontinued.
F		Not interchangeable by a single part but interchangeable together with related parts.
K		Changes only for used parts quantities.

④ Effective Machine No.

When a part changes, the effective Machine No. will be indicated in the (A)-(F) column.

Product Symbol	Product No.	Product Symbol	Product No.
C	Clutch No. Compressor No.	F	Machine No. (Agricultural Equip.)
D	Drive No.	M	Machine No.
E	Engine No.		

Note 1) A date may follow the symbol. (Ex.) 1996.01

Note 2) " XXXXX " and " ZZZZZ " are for parts that could not be predicted or for engine models that could not be identified.

Note 3) (A=E00185) is the E (Engine Serial Number) for the column (A) model (in this case 4JH-DT) after the parts design change.

⑤ Remarks Mark

Figures or alphabets (symbols) are entered in the remarks column.

The comments (remarks) on parts that are indicated at the bottom of the illustration are the same symbols as those stated above.

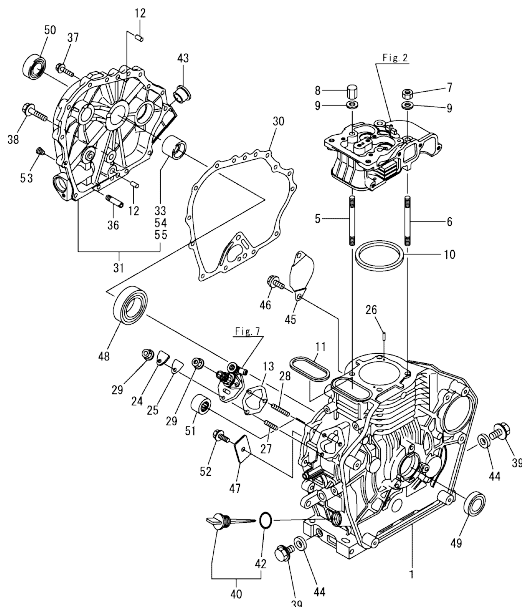
Contents

0CW10-M60800

Fig. No.	Fig. Name	Fig. No.	Fig. Name
L48N6FF3P4AA			
1.	CYLINDER BLOCK		
2.	CYLINDER HEAD & BONNET		
3.	AIR CLEANER & MUFFLER		
4.	CRANKSHAFT, PISTON & CAMSHAFT		
5.	LUB.OIL PUMP & GOVERNOR		
6.	COOLING & STARTING DEVICE		
7.	F.I.PUMP & F.I.VALVE		
8.	FUEL TANK & FUEL PIPE		
9.	TOOL, LABEL & GASKET SET		

0CW10-M60800 L48N6FF3P4AA

Fig.1. CYLINDER BLOCK



0CW10-M60800 Fig.1

(A)=L48N6FF3P4AA
(B)=
(C)=

(D)=
(E)=
(F)=

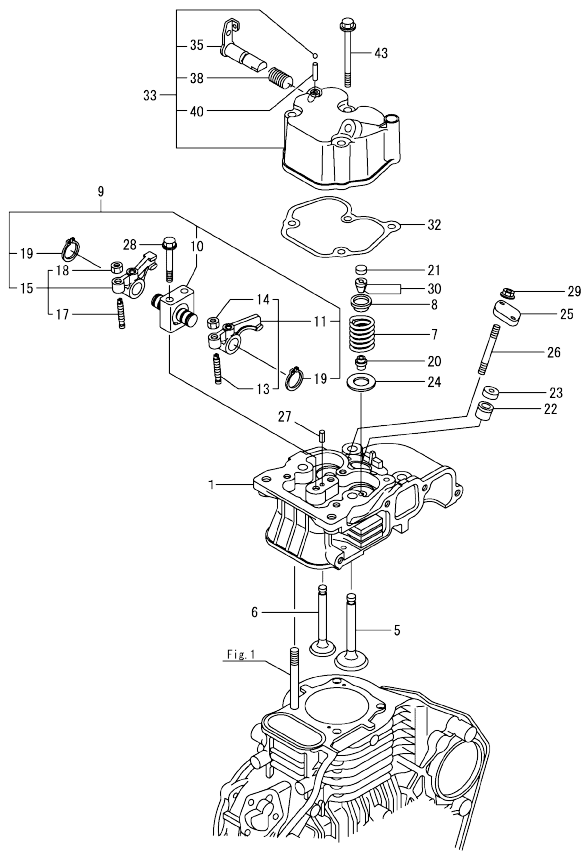
No.	Lev.	Parts No.	Description	Qty						I	R
				(A)	(B)	(C)	(D)	(E)	(F)		
1	1	114149-01010	BLOCK ASSY, CYLINDER	1							
5	1	114299-01200	BOLT, HEAD A	2							
6	1	114299-01210	BOLT, HEAD B	2							
7	1	114299-01220	NUT, CYLINDER HEAD A	2							
8	1	114299-01230	NUT, CYLINDER HEAD B	2							
9	1	124950-01250	WASHER, HEAD BOLT	4							
10	1	114295-01340	GASKET, HEAD T=0.5	1							
11	1	114299-01380	O-RING	1							
12	1	114299-01600	PIN, PARALLEL 8X12	2							
13	1	114299-01800	SHIM SET, PUMP	1							
24	1	114299-01830	COVER, PUMP	1							
25	1	114250-01841	GASKET, COVER	1							
26	1	22312-040080	PIN, PARALLEL M4X 8	2							
27	1	26226-060182	STUD, M6X 18	1							
28	1	26226-060222	STUD, M6X 22	2							
29	1	26366-060002	NUT, M6	3							
30	1	114299-01410	GASKET, CRANK CASE	1							
31	1	114299-01450	COVER, CRANK CASE D	1							
31-1	1	114111-01450	COVER, CRANK CASE D	1							N
		(A=2019.02)									
33	2	114250-02101	BEARING, MAIN	1							1
33-1	2	114740-02110	BEARING, MAIN	1							N 1
		(A=2019.07)									
36	1	114299-35150	PIPE, OIL INLET	1							
37	1	26106-060252	BOLT, M6X 25 PLATED	14							
38	1	26106-080352	BOLT, M8X 35 PLATED	1							
39	1	114299-01690	PLUG, DRAIN 16	2							
40	1	114299-01760	CAP ASSY, OIL SUPPLY	1							
42	2	114299-01950	O-RING, 18	1							
43	1	160110-01870	PLUG, RUBBER 22	1							
43-1	1	114940-01870	PLUG, RUBBER 22	1							N
		(A=2019.02)									
44	1	22190-160002	WASHER, SEAL 16	2							
45	1	114399-01700	COVER, STARTER	1							
46	1	26106-100122	BOLT, M10X 12 PLATED	2							
47	1	114299-02030	RETAINER, BEARING	1							
48	1	114250-02113	BEARING, HR6306G3C3	1							
49	1	114299-02220	SEAL, OIL	1							
50	1	160210-02220	SEAL, OIL 25X41.2X8	1							
51	1	24162-152112	BEARING, 152112	1							
52	1	26106-080122	BOLT, M8X 12 PLATED	1							
53	1	23876-010000	PLUG, R01	1							
54	1	114250-02200	METAL, MAIN 0.25 US	1							2
54-1	1	114740-02200	BEARING, MAIN 0.25OS	1							N 4
		(A=2019.07)									
55	1	114250-02210	METAL, MAIN 0.50 US	1							3
55-1	1	114740-02210	BEARING, MAIN 0.50OS	1							N 5
		(A=2019.07)									

Remarks

- (1)REPAIR PART.
- (2)UNDER SIZED(U.S.=0.25)PART.
- (3)UNDER SIZED(U.S.=0.50)PART.
- (4)Over-sized(O.S.=0.25) parts.
- (5)Over-sized(O.S.=0.50) parts.

N:Old $\frac{100}{100}$ New, Q:Old $\frac{100}{100}$ New, R:Old $\frac{100}{100}$ New, S:Old $\frac{100}{100}$ New, W:Add, Z:Discontinued, F:Interchangeable by set, K:Qty Change
Copyright (C) YANMAR CO., LTD. All Rights Reserved.

Fig.2. CYLINDER HEAD & BONNET

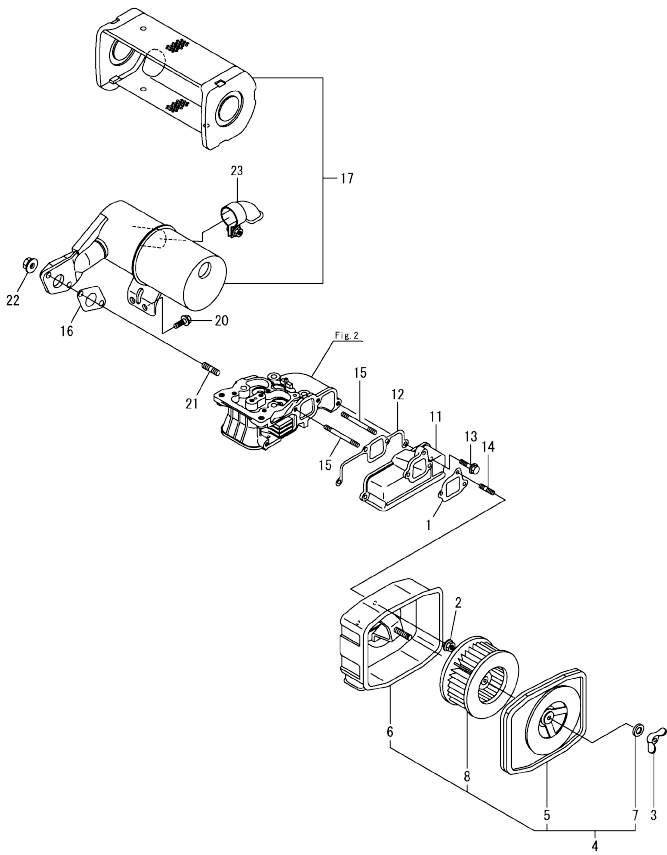


(A)=L48N6FF3P4AA
(B)=
(C)=

(D)=
(E)=
(F)=

No.	Lev.	Parts No.	Description	Qty						I	R	
				(A)	(B)	(C)	(D)	(E)	(F)			
1	1	114120-11020	HEAD ASSY, CYLINDER	1								
5	1	114295-11100	VALVE, SUCTION	1								
6	1	114295-11110	VALVE, EXHAUST	1								
7	1	114299-11120	SPRING, VALVE	2								
8	1	114250-11180	RETAINER, SPRING	2								
9	1	114771-11250	SUPPORT ASSY, ARM	1								
10	2	114771-11260	SUPPORT, ROCKER ARM	1								
11	2	114771-11650	ARM, ROCKER	1								
13	3	114250-11240	SCREW, VALVE ADJUST	1								
14	3	26856-060002	NUT, M6	1								
15	2	114771-11660	ARM, ROCKER	1								
17	3	114250-11240	SCREW, VALVE ADJUST	1								
18	3	26856-060002	NUT, M6	1								
19	2	22242-000120	RING, 12	2								
20	1	114250-11340	SEAL, VALVE STEM	2								
21	1	119260-11370	CAP, VALVE	2								
22	1	114240-11550	SEAT, NOZZLE	1								
23	1	114240-11450	PROTECTOR, NOZZLE	1								
24	1	114299-11600	WASHER, VALVE SPRING	2								
25	1	114299-11901	RETAINER, NOZZLE	1								
26	1	114110-11910	STUD, M6X65	2								
27	1	22351-040008	PIN, SPRING 4.0X 8	1								
28	1	26106-060452	BOLT, M6X 45 PLATED	2								
29	1	26366-060002	NUT, M6	2								
30	1	27310-055001	COTTER, 5.5	2								
32	1	114771-11310	GASKET, BONNET	1								
33	1	114295-11951	BONNET ASSY, HEAD	1								
35	2	114250-03591	LEVER ASSY	1								
38	2	114299-03640	SPRING, DECOMPRESSION	1								
40	2	22312-030160	PIN, PARALLEL M3X16	1								
43	1	26106-060552	BOLT, M6X 55 PLATED	3								

Fig.3. AIR CLEANER & MUFFLER

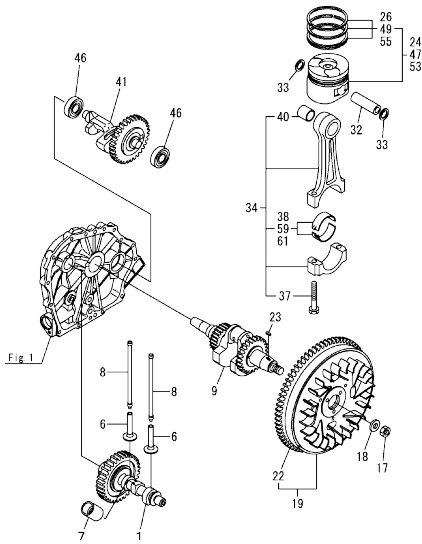


(A)=L48N6FF3P4AA
(B)=
(C)=

(D)=
(E)=
(F)=

No.	Lev.	Parts No.	Description	Q'ty						I	R
				(A)	(B)	(C)	(D)	(E)	(F)		
1	1	114299-12210	GASKET, AIR CLEANER	1							
2	1	114299-12300	NUT	3							
3	1	114252-12550	NUT, WING M8	1							
4	1	114120-12570	CLEANER ASSY, AIR	1							
5	2	114288-12520	COVER ASSY	1							
6	2	114288-12532	CASE ASSY, CLEANER	1							
7	2	114252-12560	WASHER, SEAL M8	1							
8	3	114650-12590	ELEMENT ASSY	1							
11	1	114771-12010	PIPE, AIR INTAKE	1							
12	1	114771-12200	GASKET	1							
13	1	26106-060252	BOLT, M6X 25 PLATED	2							
14	1	26226-060142	STUD, M6X 14	1							
15	1	26226-060602	STUD, M6X 60	2							
16	1	114299-13200	GASKET, MUFFLER	1							
17	1	114288-13500	MUFFLER ASSY	1							
20	1	26106-060142	BOLT, M6X 14 PLATED	2							
21	1	26216-080182	STUD, M8X 18	2							
22	1	26366-080002	NUT, M8	2							
23	1	114299-13800	EXTENSION ASSY	1							

Fig.4. CRANKSHAFT, PISTON & CAMSHAFT



(A)=L48N6FF3P4AA
(B)=
(C)=

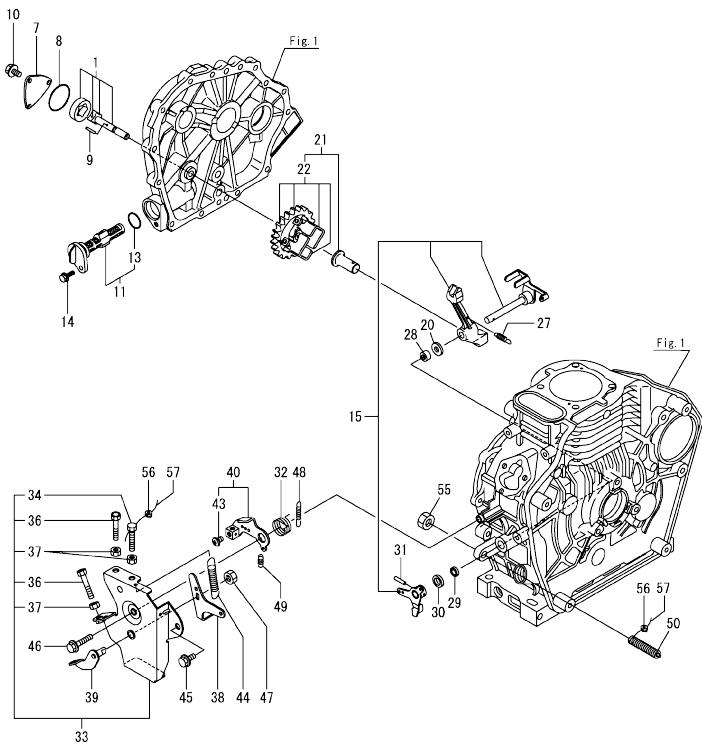
(D)=
(E)=
(F)=

No.	Lev.	Parts No.	Description	Q'ty						I	R
				(A)	(B)	(C)	(D)	(E)	(F)		
1	1	714295-14580	CAMSHAFT ASSY, D	1							
6	1	114299-14200	TAPPET	2							
7	1	114771-14260	TAPPET	1							
8	1	114250-14451	ROD ASSY, PUSH	2							
9	1	11429C-21780	CRANKSHAFT ASSY,E-DI	1							
17	1	114299-21220	NUT, WHEEL	1							
18	1	114299-21550	WASHER, FLYWHEEL	1							
19	1	114299-21590	FLYWHEEL ASSY, DE	1							
22	2	114299-21600	GEAR, RING	1							
23	1	22512-040120	KEY, 4X 12	1							
24	1	714120-22720	PISTON ASSY, D	1							
26	2	714295-22500	RING SET, PISTON	1							
32	1	114299-22300	PIN, PISTON D=19	1							
33	1	22252-000190	RING, 19	2							
34	1	71477G-23701	ROD ASSY, CONNECTING	1							
37	2	119265-23200	BOLT, CONNECTING ROD	2							
38	2	714770-23600	METAL ASSY,CRANK PIN	1							
40	2	114770-23100	BEARING, PISTON PIN	1							
41	1	714770-28531	SHAFT ASSY, BALANCER	1							
46	1	24101-062020	BEARING, BALL 6202C3	2							
47	1	714120-22620	PISTON ASSY, 0.25 OS	1							
49	2	714295-22540	RING SET, PISTON .25	1							1
53	1	714120-22580	PISTON ASSY, 0.50 OS	1							2
55	2	714295-22550	RING SET, PISTON .50	1							2
59	1	714770-23610	METAL ASSY, PIN .25	1							3
61	1	714770-23620	METAL ASSY, PIN .50	1							4

Remarks

- (1)OVER SIZED(O.S.=0.25)PART.
- (2)OVER SIZED(O.S.=0.50)PART.
- (3)UNDER SIZED(U.S.=0.25)PART.
- (4)UNDER SIZED(U.S.=0.50)PART.

Fig.5. LUB.OIL PUMP & GOVERNOR



(A)=L48N6FF3P4AA
(B)=
(C)=

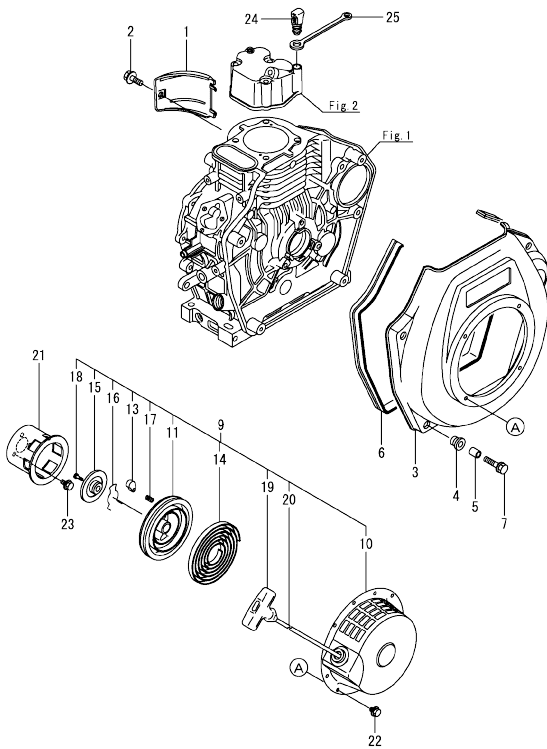
(D)=
(E)=
(F)=

No.	Lev.	Parts No.	Description	Q'ty						I	R
				(A)	(B)	(C)	(D)	(E)	(F)		
1	1	114250-32010	PUMP ASSY, OIL	1							
7	1	114299-32070	COVER	1							
8	1	114299-32570	O-RING	1							
9	1	22312-030160	PIN, PARALLEL M3X16	1							
10	1	26106-060122	BOLT, M6X 12 PLATED	3							
11	1	114299-35110	FILTER ASSY, OIL	1							
13	2	24341-000224	O-RING, 1AS22.4	1							
14	1	26106-060162	BOLT, M6X 16 PLATED	1							
15	1	114295-61170	LEVER ASSY, GOVERNOR	1							
20	1	114299-61190	WASHER	1							
21	1	714299-61701	GOVERNOR ASSY	1							
22	2	114299-61210	WEIGHT ASSY,GOVERNOR	1							
27	1	114771-61350	SPRING, START	1							
28	1	114770-61520	BEARING, NEEDLE	2							
29	1	114299-61600	SEAL, OIL	1							
30	1	114770-61610	WASHER, THRUST	1							
31	1	22322-030200	PIN, TAPER 3X20	1							
32	1	114299-66250	SPRING, RETURN	1							
33	1	714299-66901	SPEED CONTROL TP 01	1							
34	2	114299-66440	BOLT, ADJUSTING	1							
36	2	114299-67080	BOLT, ADJUSTING	2							
37	2	26757-060002	NUT, LOCK M6	3							
38	1	114299-66920	LEVER, STOP	1							
39	1	114299-66932	LEVER, STOP OUT	1							
40	1	114299-66940	LEVER ASSY,REGULATOR	1							
43	2	26117-050089	BOLT, M5X 8 PLATED	1							
44	1	114299-66960	SPRING	1							
45	1	26106-060142	BOLT, M6X 14 PLATED	1							
46	1	26106-060302	BOLT, M6X 30 PLATED	1							
47	1	26757-080002	NUT, LOCK M8	1							
48	1	114770-66010	SPRING, REGULATOR	1							
49	1	114299-66200	SPRING, RETURN	1							
50	1	114211-66600	LIMITER ASSY, FUEL	1							
55	1	26776-100002	NUT, LOCK M10	1							
56	1	114780-61090	TIN	2							
57	1	22451-060000	WIRE, 0.6	2							

Fig.6. COOLING & STARTING DEVICE

(A)=L48N6FF3P4AA
(B)=
(C)=

(D)=
(E)=
(F)=



No.	Lev.	Parts No.	Description	Q'ty						I	R
				(A)	(B)	(C)	(D)	(E)	(F)		
1	1	114299-45210	COVER	1							
2	1	26106-060122	BOLT, M6X 12 PLATED	1							
3	1	114295-45100	FAN CASE(SILVER)(17)	1							
4	1	114299-45301	RUBBER, CUSHION	4							
5	1	114299-45310	COLLAR	4							
6	1	114299-45330	SEAL, FAN CASE	1							
7	1	114299-45350	BOLT, FAN CASE	4							
9	1	114299-76250	STARTER ASSY, RECOIL	1							
10	2	114299-76500	CASE, STARTER	1							
11	2	114299-76521	REEL	1							
13	2	114399-76531	RATCHET	1							
14	2	114399-76540	SPRING, SPIRAL	1							
15	2	114399-76550	COVER	1							
16	2	114399-76560	SPRING	1							
17	2	114399-76570	SPRING, RETURN	1							
18	2	114399-76580	SCREW	1							
19	2	114399-76620	KNOB, STARTER	1							
20	2	114299-76630	ROPE, STARTER	1							
21	1	114299-76590	PULLEY, STARTER	1							
22	1	26106-060082	BOLT, M6X 8 PLATED	4							
23	1	26106-060122	BOLT, M6X 12 PLATED	3							
24	1	114299-76600	PLUNGER	1							
25	1	114299-76610	HOLDER, PLUNGER	1							

Fig.7. F.I.PUMP & F.I.VALVE

(A)=L48N6FF3P4AA
(B)=
(C)=

(D)=
(E)=
(F)=

No.	Lev.	Parts No.	Description	Q'ty						I	R
				(A)	(B)	(C)	(D)	(E)	(F)		
1	1	714139-51200	PUMP ASSY, INJECTION	1							
2	2	105546-51020	GASKET	1							
3	2	114250-51080	PLATE	1							
4	2	114250-51160	SPRING, PLUNGER	1							
5	2	114350-51200	BODY ASSY, PUMP	1							
11	4	22351-020006	PIN, SPRING 2.0X 6	2							
12	2	114250-51300	VALVE ASSY, DELIVERY	1							
15	2	105546-51330	SPRING, DELIVERY	1							
16	2	114250-51340	HOLDER, DELIVERY	1							
17	2	124550-51350	GASKET, DELIVERY	2							
18	2	114250-51600	LEVER ASSY, CONTROL	1							
19	2	114250-51640	SEAT, SPRING A	1							
20	2	114250-51650	SEAT, SPRING B	1							
21	2	22351-030008	PIN, SPRING 3.0X 8	1							
22	1	714139-53200	VALVE ASSY, INJECTION	1							
23	2	114250-53080	NUT, NOZZLE D16.95	1							
24	2	114139-53100	HOLDER ASSY, NOZZLE	1							
28	3	22351-025005	PIN, SPRING 2.5X 6	1							
29	2	114250-53120	SPRING, NOZZLE	1							
30	2	114250-53130	SEAT, SPRING	1							
31	2	114250-53140	PLATE	1							
32	2	114139-53200	NOZZLE ASSY	1							
35	2	114250-53210	PIN	2							
36	2	114250-53400	SHIM SET	1							

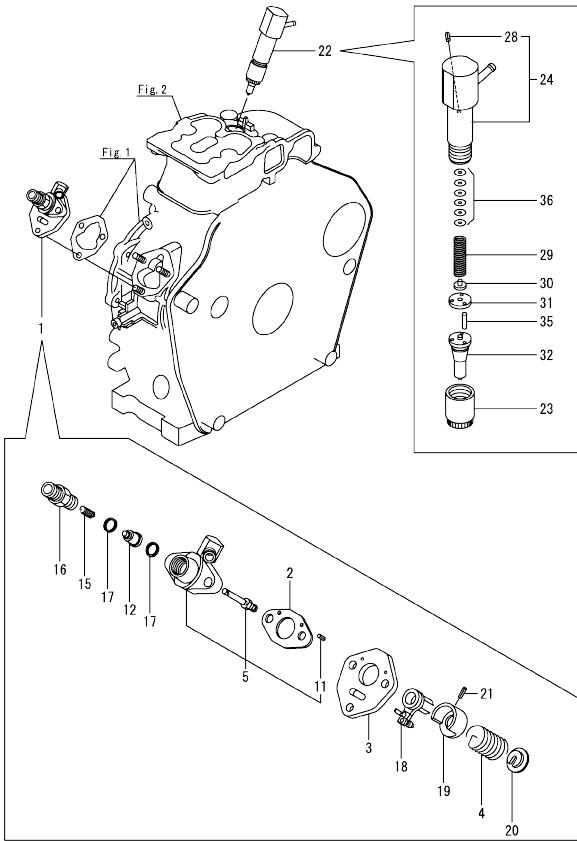
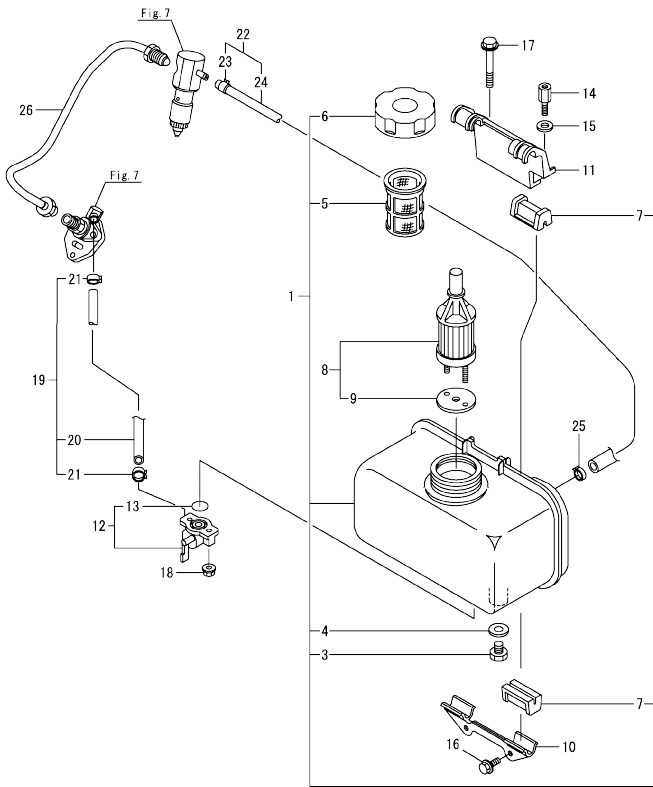


Fig.8. FUEL TANK & FUEL PIPE



(A)=L48N6FF3P4AA
(B)=
(C)=

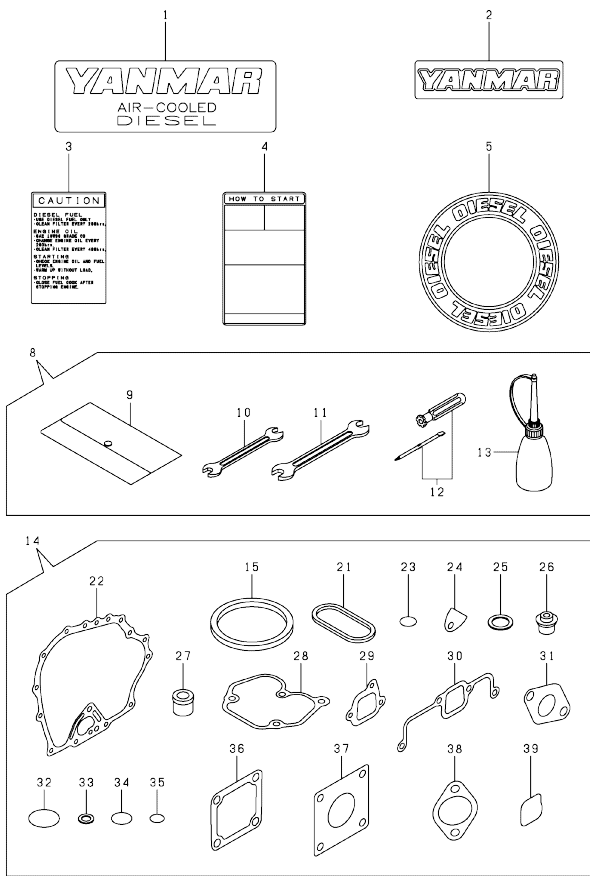
(D)=
(E)=
(F)=

No.	Lev.	Parts No.	Description	Q'ty						I	R
				(A)	(B)	(C)	(D)	(E)	(F)		
1	1	11429C-55710	TANK,FUEL	1							
3	3	114299-55080	PLUG, DRAIN	1							
4	3	23414-080000	GASKET, 8X1.0	1							
5	2	114299-55100	FILTER, FUEL OIL	1							
6	2	114299-55040	CAP ASSY, FUEL TANK	1							
7	2	114250-55201	DAMPER, FUEL TANK	4							
8	1	114250-55121	FILTER ASSY, FUEL	1							
9	2	114250-55130	GASKET	1							
10	1	114299-55210	STAY, FUEL TANK	1							
11	1	114299-55230	STAY, FUEL TANK	1							
12	1	114250-55301	COCK ASSY, FUEL	1							
13	2	24341-000150	O-RING, 1AS15.0	1							
14	1	114299-55810	BOLT, LIFTING	1							
15	1	22117-080000	WASHER, 8	1							
16	1	26106-060162	BOLT, M6X 16 PLATED	2							
17	1	26106-080452	BOLT, M8X 45 PLATED	1							
18	1	26366-060002	NUT, M6	2							
19	1	114780-59010	PIPE ASSY, FUEL L50	1							
20	2	114780-59060	PIPE, FUEL L=50	1							
21	2	23080-014000	CLAMP, 14	2							
22	1	114120-59300	PIPE ASSY, RETURN	1							
23	2	124722-59050	CLIP, HOSE 9	1							
24	2	114250-59060	PIPE, FUEL RETURN	1							
25	2	124066-59100	CLIP, HOSE 8	1							
26	1	114120-59800	PIPE, FUEL INJECTION	1							

Fig.9. TOOL, LABEL & GASKET SET

(A)=L48N6FF3P4AA
(B)=
(C)=

(D)=
(E)=
(F)=



No.	Lev.	Parts No.	Description	Qty						I	R
				(A)	(B)	(C)	(D)	(E)	(F)		
1	1	114299-07100	LABEL, AIR COOLED	1							
2	1	114299-07110	LABEL, YANMAR	1							
3	1	114220-07100	LABEL, CAUTION	1							
4	1	114220-07110	LABEL HOW TO START-E	1							
5	1	114299-07160	LABEL, DIESEL	1							
8	1	114299-92590	BOX, TOOL	1							
9	2	114299-92600	BAG, TOOL	1							
10	2	114299-92710	WRENCH	1							
11	2	114299-92720	WRENCH	1							
12	2	114299-92730	DRIVER	1							
13	2	114299-92740	DIPSTICK	1							
14	1	114120-92600	GASKET SET	1							1
15	2	114295-01330	GASKET, HEAD	1							
21	2	114299-01380	O-RING	1							
22	2	114299-01410	GASKET, CRANK CASE	1							
23	2	114299-01950	O-RING, 18	2							
24	2	114250-01841	GASKET	1							
25	2	22190-160002	WASHER, SEAL 16	2							
26	2	114250-11340	SEAL, VALVE STEM	2							
27	2	114240-11550	SEAT, NOZZLE	1							
28	2	114771-11310	GASKET, BONNET	1							
29	2	114299-12210	GASKET, AIR CLEANER	2							
30	2	114771-12200	GASKET	1							
31	2	114299-13200	GASKET, MUFFLER	1							
32	2	114299-32570	O-RING	1							
33	2	23414-080000	GASKET, 8X1.0	1							
34	2	24341-000224	O-RING, 1AS22.4	1							
35	2	24341-000150	O-RING, 1AS15.0	1							
36	2	129100-77510	GASKET, AIR HEATER	3							
37	2	114299-21980	GASKET	1							
38	2	114299-12920	GASKET, AIR CLEANER	1							
39	2	114288-12210	O-RING	1							

Remarks
(1)OPTIONAL

Parts No. Index

Parts No.	Fig. No.	Ref. No.
105546-51020	7	2
105546-51330	7	15
114110-11910	2	26
114111-01450	1	31 -1
114120-11020	2	1
114120-12570	3	4
114120-59300	8	22
114120-59800	8	26
114120-92600	9	14
114139-53100	7	24
114139-53200	7	32
114149-01010	1	1
114211-66600	5	50
114220-07100	9	3
114220-07110	9	4
114240-11450	2	23
114240-11550	2	22
	9	27
114250-01841	1	25
	9	24
114250-02101	1	33
114250-02113	1	48
114250-02200	1	54
114250-02210	1	55
114250-03591	2	35
114250-11180	2	8
114250-11240	2	13
		17
114250-11340	2	20
	9	26
114250-14451	4	8
114250-32010	5	1
114250-51080	7	3
114250-51160	7	4
114250-51300	7	12
114250-51340	7	16
114250-51600	7	18
114250-51640	7	19
114250-51650	7	20
114250-53080	7	23
114250-53120	7	29
114250-53130	7	30
114250-53140	7	31
114250-53210	7	35
114250-53400	7	36
114250-55121	8	8
114250-55130	8	9
114250-55201	8	7
114250-55301	8	12
114250-59060	8	24

Parts No.	Fig. No.	Ref. No.
114252-12550	3	3
114252-12560	3	7
114288-12210	9	39
114288-12520	3	5
114288-12532	3	6
114288-13500	3	17
114295-01330	9	15
114295-01340	1	10
114295-11100	2	5
114295-11110	2	6
114295-11951	2	33
114295-45100	6	3
114295-61170	5	15
114299-01200	1	5
114299-01210	1	6
114299-01220	1	7
114299-01230	1	8
114299-01380	1	11
	9	21
114299-01410	1	30
	9	22
114299-01450	1	31
114299-01600	1	12
114299-01690	1	39
114299-01760	1	40
114299-01800	1	13
114299-01830	1	24
114299-01950	1	42
	9	23
114299-02030	1	47
114299-02220	1	49
114299-03640	2	38
114299-07100	9	1
114299-07110	9	2
114299-07160	9	5
114299-11120	2	7
114299-11600	2	24
114299-11901	2	25
114299-12210	3	1
	9	29
114299-12300	3	2
114299-12920	9	38
114299-13200	3	16
	9	31
114299-13800	3	23
114299-14200	4	6
114299-21220	4	17
114299-21550	4	18
114299-21590	4	19
114299-21600	4	22

Parts No.	Fig. No.	Ref. No.
114299-21980	9	37
114299-22300	4	32
114299-32070	5	7
114299-32570	5	8
	9	32
114299-35110	5	11
114299-35150	1	36
114299-45210	6	1
114299-45301	6	4
114299-45310	6	5
114299-45330	6	6
114299-45350	6	7
114299-55040	8	6
114299-55080	8	3
114299-55100	8	5
114299-55210	8	10
114299-55230	8	11
114299-55810	8	14
114299-61190	5	20
114299-61210	5	22
114299-61600	5	29
114299-66200	5	49
114299-66250	5	32
114299-66440	5	34
114299-66920	5	38
114299-66932	5	39
114299-66940	5	40
114299-66960	5	44
114299-67080	5	36
114299-76250	6	9
114299-76500	6	10
114299-76521	6	11
114299-76590	6	21
114299-76600	6	24
114299-76610	6	25
114299-76630	6	20
114299-92590	9	8
114299-92600	9	9
114299-92710	9	10
114299-92720	9	11
114299-92730	9	12
114299-92740	9	13
11429C-21780	4	9
11429C-55710	8	1
114350-51200	7	5
114399-01700	1	45
114399-76531	6	13
114399-76540	6	14
114399-76550	6	15
114399-76560	6	16

Parts No.	Fig. No.	Ref. No.
114399-76570	6	17
114399-76580	6	18
114399-76620	6	19
114650-12590	3	8
114740-02110	1	33 -1
114740-02200	1	54 -1
114740-02210	1	55 -1
114770-23100	4	40
114770-61520	5	28
114770-61610	5	30
114770-66010	5	48
114771-11250	2	9
114771-11260	2	10
114771-11310	2	32
	9	28
114771-11650	2	11
114771-11660	2	15
114771-12010	3	11
114771-12200	3	12
	9	30
114771-14260	4	7
114771-61350	5	27
114780-59010	8	19
114780-59060	8	20
114780-61090	5	56
114940-01870	1	43 -1
119260-11370	2	21
119265-23200	4	37
124066-59100	8	25
124550-51350	7	17
124722-59050	8	23
124950-01250	1	9
129100-77510	9	36
160110-01870	1	43
160210-02220	1	50
22117-080000	8	15
22190-160002	1	44
	9	25
22242-000120	2	19
22252-000190	4	33
22312-030160	2	40
	5	9
22312-040080	1	26
22322-030200	5	31
22351-020006	7	11
22351-025005	7	28
22351-030008	7	21
22351-040008	2	27
22451-060000	5	57
22512-040120	4	23

Parts No. Index

Parts No.	Fig. No.	Ref. No.
23080-014000	8	21
23414-080000	8	4
	9	33
23876-010000	1	53
24101-062020	4	46
24162-152112	1	51
24341-000150	8	13
	9	35
24341-000224	5	13
	9	34
26106-060082	6	22
26106-060122	5	10
	6	2
		23
26106-060142	3	20
	5	45
26106-060162	5	14
	8	16
26106-060252	1	37
	3	13
26106-060302	5	46
26106-060452	2	28
26106-060552	2	43
26106-080122	1	52
26106-080352	1	38
26106-080452	8	17
26106-100122	1	46
26117-050089	5	43
26216-080182	3	21
26226-060142	3	14
26226-060182	1	27
26226-060222	1	28
26226-060602	3	15
26366-060002	1	29
	2	29
	8	18
26366-080002	3	22
26757-060002	5	37
26757-080002	5	47
26776-100002	5	55
26856-060002	2	14
		18
27310-055001	2	30
714120-22580	4	53
714120-22620	4	47
714120-22720	4	24
714139-51200	7	1
714139-53200	7	22
714295-14580	4	1
714295-22500	4	26

Parts No.	Fig. No.	Ref. No.
714295-22540	4	49
714295-22550	4	55
714299-61701	5	21
714299-66901	5	33
714770-23600	4	38
714770-23610	4	59
714770-23620	4	61
714770-28531	4	41
71477G-23701	4	34

Parts No.	Fig. No.	Ref. No.
-----------	----------	----------

Parts No.	Fig. No.	Ref. No.
-----------	----------	----------