

0CD11-M09900EN

P R E F A C E

1. This parts catalog is the 1st edition of L70V6-MMA for MATSUSAKA ENGINEERING.

Pub.No. : OCD11-G09900

Published : February, 2010

2. Model name

Engine model	Vehicle	Vehicle made by
L70V6-MMA	FRESH WATER PUMP	MATSUSAKA ENGINEERING

Directions for the Parts Catalog.

- 1.The parts stipulated in this Parts Catalog are not necessarily standard equipped parts.
- 2.Parts may change without prior notice.
- 3.The following is an example of the Parts Catalog format.

REF.	LEV.	PARTS NO.	DESCRIPTION	Q'TY						I	R
				(A)	(B)	(C)	(D)	(E)	(F)		
1	1	729595-51390	FUEL INJECTION PUMP	1	1	1	1	1			1
1-1	1	729595-51391	FUEL INJECTION PUMP	1	1	1	1	1		N	1
		(A=E00185) (B=E00200)									
3	2	26022-060162	SCREW M 6X 16	9	9	9	9	9			
3-1	2	26022-060162	SCREW M 6X 16	4	4	4	4	4		K	
		(A=E00156) (B=E00156) (C=E00156) (D=E00156) (E=E00156)									
4	2	129470-51040	CAMSHAFT	1	1	1	1	1			
5	2	122710-51050	BEARING, ROLLER	2	2	2	2	2			
6	2	129470-51060	RETAINER	1	1	1	1	1			

Remarks
(1) BOOST COMPEMSATOR TYPE. OPTIONAL PART, TO E00155,(4JH-DT, 4JH-DTZ

① Ref. No.

The Ref. No. listed may not be in accordance with the illustration Ref. No.

(Ex.) Illustration No.

List Ref No.

1 1 (Before change) → 1-1 (After change)

For interchangeable symbols N, R and K, illustrations for new parts may be abbreviated.

② Lev. (Level)

Level indication

The numbers below indicate the level of relativity towards the main part.

1 ---- Main parts (Assembly parts)

2 ---- Sub component included in " 1 ".

3 ---- Sub component included in " 2 ".

Note) Parts that are not for sale are partially illustrated but not listed.

③ Interchangeability Mark

When a part change takes place, one of the following interchangeability symbols is indicated beside the part.

Symbol	Interchangeability	Contents note
N	Old $\begin{matrix} \leftarrow \text{Yes} \\ \text{No} \rightarrow \end{matrix}$ New	New Part is interchangeable for Old Part but Old Part is not interchangeable for New Part.
Q	Old $\begin{matrix} \leftarrow \text{No} \\ \text{Yes} \rightarrow \end{matrix}$ New	New Part is not interchangeable for Old Part but Old Part is interchangeable for New Part.
R	Old $\begin{matrix} \leftarrow \text{Yes} \\ \text{Yes} \rightarrow \end{matrix}$ New	New/ Old Parts are both interchangeable.
S	Old $\begin{matrix} \leftarrow \text{No} \\ \text{No} \rightarrow \end{matrix}$ New	New/ Old Parts are both not interchangeable.
W		Part newly added.
Z		Part discontinued.
F		Not interchangeable by a single part but interchangeable together with related parts.
K		Changes only for used parts quantities.

④ Effective Machine No.

When a part changes, the effective Machine No. will be indicated in the (A)-(F) column.

Product Symbol	Product No.	Product Symbol	Product No.
C	Clutch No. Compressor No.	F	Machine No. (Agricultural Equip.)
D	Drive No.	M	Machine No.
E	Engine No.		

Note 1) A date may follow the symbol. (Ex.) 1996.01

Note 2) " XXXXX " and " ZZZZZ " are for parts that could not be predicted or for engine models that could not be identified.

Note 3) (A=E00185) is the E (Engine Serial Number) for the column (A) model (in this case 4JH-DT) after the parts design change.

⑤ Remarks Mark

Figures or alphabets (symbols) are entered in the remarks column.

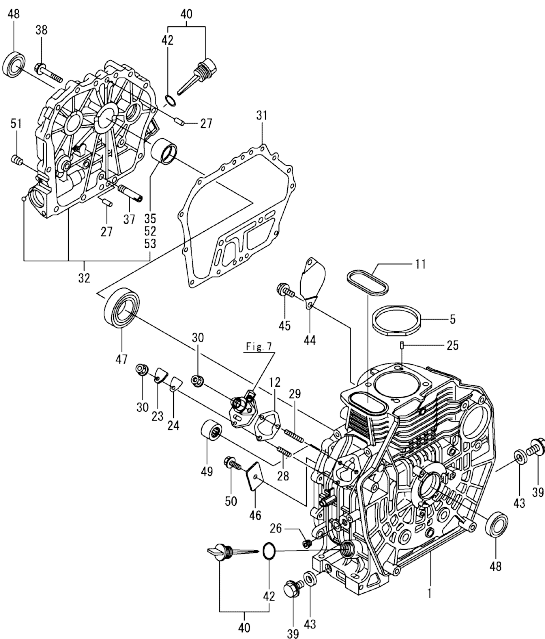
The comments (remarks) on parts that are indicated at the bottom of the illustration are the same symbols as those stated above.

Contents

Fig. No.	Fig. Name	Fig. No.	Fig. Name
L70V6-MMA			
1.	CYLINDER BLOCK		
2.	CYLINDER HEAD & BONNET		
3.	AIR CLEANER & MUFFLER		
4.	CRANKSHAFT, PISTON & CAMSHAFT		
5.	LUB.OIL PUMP & GOVERNOR		
6.	COOLING & STARTING DEVICE		
7.	F.I.PUMP & F.I.VALVE		
8.	FUEL TANK & FUEL PIPE		
9.	TOOL, LABEL & GASKET SET		

OCD11-M09900

Fig.1. CYLINDER BLOCK

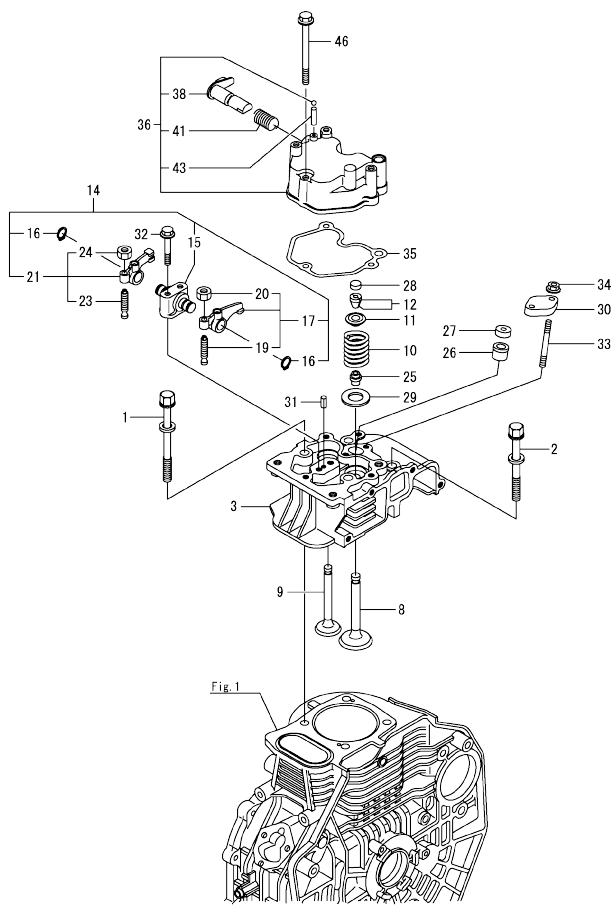


No.	Lev.	Parts No.	Description	Q'ty						I	R
				(A)	(B)	(C)	(D)	(E)	(F)		
1	1	11421C-01010	BLOCK ASSY, CYLINDER	1							
5	1	114871-01330	GASKET SET, HEAD	1							
11	1	114350-01380	O-RING	1							
12	1	114250-01800	SHIM SET	1							
23	1	114250-01830	COVER	1							
24	1	114250-01841	GASKET	1							
25	1	22312-040080	PIN, PARALLEL M4X 8	2							
26	1	23875-020000	PLUG, R02	1							
27	1	114270-01600	PIN, M8X12	2							
28	1	26226-060182	STUD, M6X 18	1							
29	1	26226-060222	STUD, M6X 22	2							
30	1	26366-060002	NUT, M6	3							
31	1	114350-01412	GASKET, CRANK CASE	1							
32	1	11421C-01450	COVER(E-D,CRANK CASE	1							
35	2	114350-02100	BEARING, MAIN	1							1
37	1	114250-35150	PIPE, OIL INLET	1							
38	1	26106-080352	BOLT, M8X 35 PLATED	15							
39	1	105425-01690	PLUG, 16	2							
40	1	114699-01760	CAP ASSY	2							
42	2	114299-01950	O-RING, 18	2							
43	1	22190-160002	WASHER, SEAL 16	2							
44	1	114350-01700	COVER	1							
45	1	26106-100122	BOLT, M10X 12 PLATED	2							
46	1	114299-02030	RETAINER, BEARING	1							
47	1	114350-02113	BEARING, B35-135G3C3	1							
48	1	160110-02220	SEAL, OIL	2							
49	1	24162-152116	BEARING, 152116	1							
50	1	26106-080122	BOLT, M8X 12 PLATED	1							
51	1	23876-010000	PLUG, R01	1							
52	1	114350-02200	BEARING, 0.25 US	1							2
53	1	114350-02210	BEARING, 0.50 US	1							3

Remarks
 (1) REPAIR PARTS.
 (2) UNDER SIZED(U.S.=0.25)PARTS.
 (3) UNDER SIZED(U.S.=0.50)PARTS.

N:Old $\frac{100}{100}$ New, Q:Old $\frac{100}{100}$ New, R:Old $\frac{100}{100}$ New, S:Old $\frac{100}{100}$ New, W:Add, Z:Discontinued, F:Interchangeable by set, K:Qty Change
 Copyright (C) YANMAR CO., LTD. All Rights Reserved.

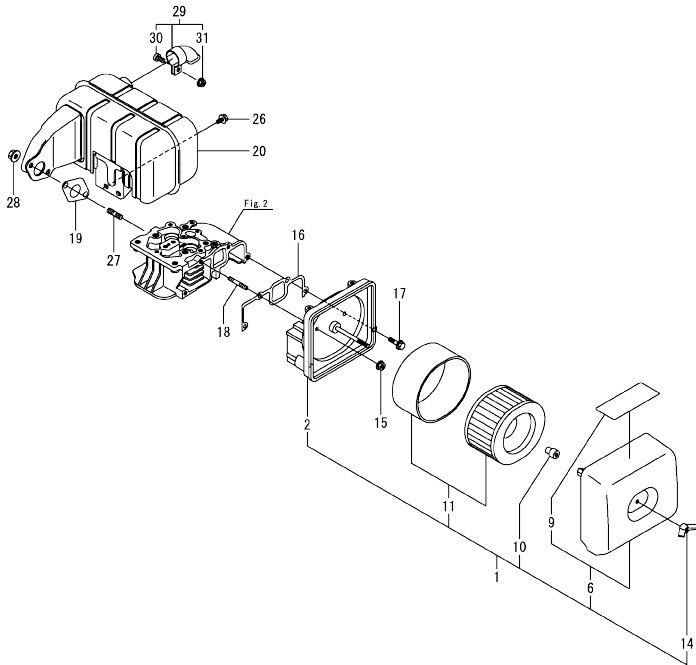
Fig.2. CYLINDER HEAD & BONNET



No.	Lev.	Parts No.	Description	Q'ty						I	R
				(A)	(B)	(C)	(D)	(E)	(F)		
1	1	114210-01200	BOLT, CYL HEAD A	2							
2	1	114210-01210	BOLT, CYL HEAD B	2							
3	1	11421C-11020	HEAD ASSY, CYLINDER	1							
8	1	11421C-11100	VALVE, INTAKE	1							
9	1	11421C-11110	VALVE, EXHAUST	1							
10	1	114210-11120	SPRING, VALVE	2							
11	1	114210-11180	RETAINER, SPRING	2							
12	1	114210-11930	COTTER ASSY	2							
14	1	11421C-11250	SUPPORT ASSY, ARM	1							
15	2	11421C-11260	SUPPORT, ROCKER ARM	1							
16	2	22242-000120	RING, 12	2							
17	2	11421C-11650	ARM ASSY, ROCKER	1							
19	3	114250-11240	SCREW, VALVE ADJUST	1							
20	3	26856-060002	NUT, M6	1							
21	2	11421C-11660	ARM ASSY, ROCKER	1							
23	3	114250-11240	SCREW, VALVE ADJUST	1							
24	3	26856-060002	NUT, M6	1							
25	1	114350-11340	SEAL, VALVE STEM	2							
26	1	114240-11450	PROTECTOR, NOZZLE	1							
27	1	114240-11550	SEAT, NOZZLE	1							
28	1	105010-11490	CAP, VALVE	2							
29	1	114250-11600	WASHER	2							
30	1	114210-11901	RETAINER, NOZZLE	1							
31	1	22351-040008	PIN, SPRING 4.0X 8	1							
32	1	26106-060402	BOLT, M6X 40 PLATED	2							
33	1	26226-060552	STUD, M6X 55	2							
34	1	26366-060002	NUT, M6	2							
35	1	114210-11310	GASKET, BONNET	1							
36	1	11421C-11950	BONNET ASSY, HEAD	1							
38	2	114210-03590	DECOMPRESSION ASSY	1							
41	2	114299-03640	SPRING, DECOMPRESSION	1							
43	2	22312-030160	PIN, PARALLEL M3X16	1							
46	1	26106-060552	BOLT, M6X 55 PLATED	3							

OCD11-M09900

Fig.3. AIR CLEANER & MUFFLER

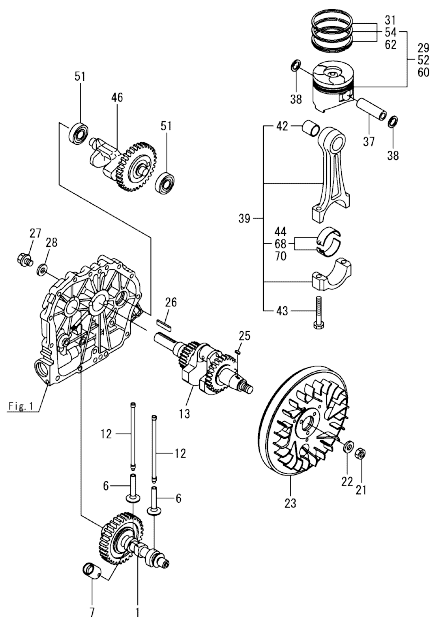


No.	Lev.	Parts No.	Description	Q'ty						I	R
				(A)	(B)	(C)	(D)	(E)	(F)		
1	1	114210-12511	CLEANER ASSY, AIR	1							
2	2	114210-12010	BODY ASSY, AIR CLNR	1							
6	2	114210-12500	COVER ASSY, AIR CLNR	1							
9	3	114210-12610	LABEL, AIR CLEANER	1							
10	2	114210-12560	NUT, WING	1							
11	2	114210-12590	ELEMENT ASSY	1							
14	2	114210-12600	LOCKING KNOB	1							
15	1	114250-12300	NUT	3							
16	1	114210-12210	GASKET, AIR CLEANER	1							
17	1	26106-060202	BOLT, M6X 20 PLATED	1							
18	1	26226-060302	STUD, M6X 30	3							
19	1	114250-13201	GASKET, MUFFLER	1							
20	1	11421C-13500	MUFFLER ASSY	1							
26	1	26106-060122	BOLT, M6X 12 PLATED	2							
27	1	26216-080182	STUD, M8X 18	2							
28	1	26306-080002	NUT, M8	2							
29	1	114288-13800	EXTENSION ASSY	1							
30	2	26554-060182	SCREW, M6X18	1							
31	2	26367-060002	NUT, M6	1							

N:Old $\frac{100}{100}$ New, Q:Old $\frac{100}{100}$ New, R:Old $\frac{100}{100}$ New, S:Old $\frac{100}{100}$ New, W:Add, Z:Discontinued, F:Interchangeable by set, K:Q'ty Change
 Copyright (C) YANMAR CO., LTD. All Rights Reserved.

OCD11-M09900

Fig.4. CRANKSHAFT, PISTON & CAMSHAFT



No.	Lev.	Parts No.	Description	Q'ty						I	R
				(A)	(B)	(C)	(D)	(E)	(F)		
1	1	714210-14581	CAMSHAFT ASSY	1							
6	1	114210-14200	TAPPET	2							
7	1	114210-14300	TAPPET ASSY,ROLLER	1							
12	1	114210-14400	ROD ASSY, PUSH	2							
13	1	11421C-21730	CRANKSHAFT ASSY	1							
21	1	103854-01221	NUT, CYLINDER HEAD	1							
22	1	114250-21550	WASHER	1							
23	1	11421C-21420	FLYWHEEL	1							
25	1	22512-040120	KEY, 4X 12	1							
26	1	160842-21150	KEY, 6.3X50	1							
27	1	160842-21250	BOLT, 7/16-20UNF	1							
28	1	160842-21260	WASHER	1							
29	1	714210-22721	PISTON ASSY, D	1							
31	2	714870-22502	RING SET, PISTON	1							
37	1	114399-22300	PIN, PISTON D=21	1							
38	1	22252-000210	RING, 21	2							
39	1	71421C-23010	ROD ASSY, CONNECTING	1							
42	3	114380-23100	BEARING, PISTON PIN	1							
43	3	118200-23200	BOLT, CONNECTING ROD	2							
44	2	114210-23600	BEARING, CRANK PIN	1							
46	1	714210-28511	SHAFT ASSY, BALANCER	1							
51	1	24101-062030	BEARING, BALL 6203C3	2							
52	1	114240-22040	PISTON W/RING 25OS	1							1
54	2	114220-22140	RING SET O.S.=0.25	1							1
60	1	114240-22050	PISTON W/RING .50OS	1							2
62	2	114220-22150	RING SET O.S.=0.50	1							2
68	1	114210-23610	BEARING,PIN(U.S.=0.25	1							3
70	1	114210-23620	BEARING,PIN(U.S.=0.50	1							4

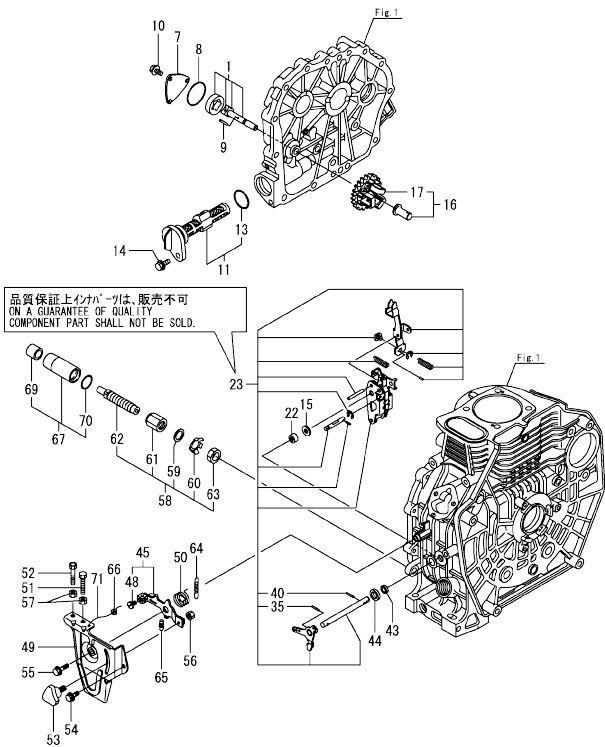
Remarks

- (1) OVER SIZED(O.S.=0.25)PARTS.
- (2) OVER SIZED(O.S.=0.50)PARTS.
- (3) UNDER SIZED(U.S.=0.25)PARTS.
- (4) UNDER SIZED(U.S.=0.50)PARTS.

N:Old $\frac{100}{100}$ New, Q:Old $\frac{100}{100}$ New, R:Old $\frac{100}{100}$ New, S:Old $\frac{100}{100}$ New, W:Add, Z:Discontinued, F:Interchangeable by set, K:Q'ty Change
 Copyright (C) YANMAR CO., LTD. All Rights Reserved.

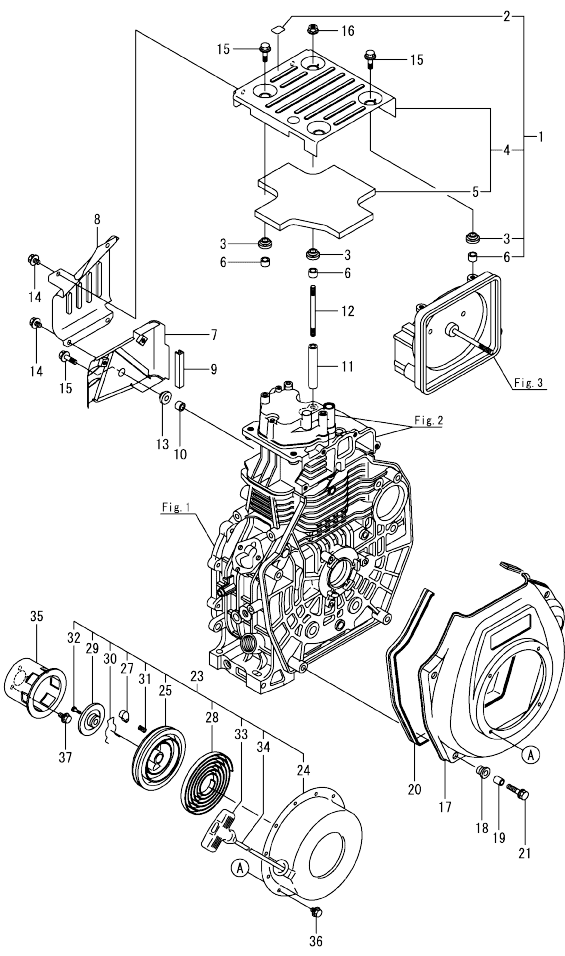
Fig.5. LUB.OIL PUMP & GOVERNOR

(A)=L70V6-MMA
(D)=
(E)=
(F)=



No.	Lev.	Parts No.	Description	Qty						I	R
				(A)	(B)	(C)	(D)	(E)	(F)		
1	1	114250-32010	PUMP ASSY, OIL	1							
7	1	114250-32070	COVER	1							
8	1	103338-32570	O-RING	1							
9	1	22312-030160	PIN, PARALLEL M3X16	1							
10	1	26106-060122	BOLT, M6X 12 PLATED	3							
11	1	114250-35110	FILTER ASSY, OIL	1							
13	2	24341-000224	O-RING, 1AS22.4	1							
14	1	26106-060162	BOLT, M6X 16 PLATED	1							
15	1	114770-61190	WASHER	1							
16	1	714210-61700	GOVERNOR ASSY	1							
17	2	114210-61290	WEIGHT ASSY, GOVERNOR	1							
22	1	114770-61520	BEARING, NEEDLE	2							
23	1	114210-61550	LEVER ASSY, GOVERNOR	1							
35	2	22322-030200	PIN, TAPER 3X20	1							
40	2	22322-030200	PIN, TAPER 3X20	1							
43	1	114770-61600	SEAL, OIL	1							
44	1	114770-61610	WASHER, THRUST	1							
45	1	114210-66060	HANDLE ASSY, REGULATOR	1							
48	2	26117-050089	BOLT, M5X 8 PLATED	1							
49	1	114210-66100	BRACKET, REGULATOR	1							
50	1	114252-66252	SPRING, RETURN	1							
51	1	114250-66440	BOLT, ADJUSTING	1							
52	1	102100-67080	BOLT, ADJUSTING	1							
53	1	160725-78350	KNOB	1							
54	1	26106-060142	BOLT, M6X 14 PLATED	1							
55	1	26106-060202	BOLT, M6X 20 PLATED	1							
56	1	26347-060002	NUT, M6	1							
57	1	26757-060002	NUT, LOCK M6	2							
58	1	114771-61700	LIMITER ASSY, FUEL	1							
59	2	114771-61810	WASHER, 14	1							
60	2	114771-61830	PLATE	1							
61	2	114771-61940	NUT, M14	1							
62	2	114771-66600	LIMITER ASSY, FUEL	1							
63	2	114771-66690	NUT, M14	1							
64	1	114210-66010	SPRING, REGULATOR	1							
65	1	114250-66200	SPRING, RETURN	1							
66	1	114780-61090	TIN	1							
67	1	114771-61890	PROTECTOR ASSY	1							
69	2	114771-61960	SPACER	1							
70	2	24311-000180	O-RING, 1AP18.0	1							
71	1	22451-060000	WIRE, 0.6	1							

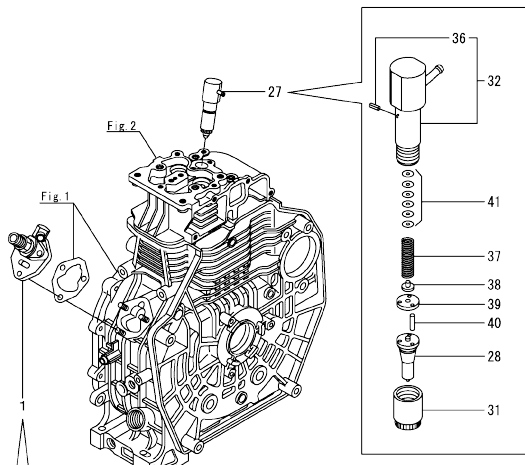
Fig.6. COOLING & STARTING DEVICE



No.	Lev.	Parts No.	Description	Q'ty						I	R
				(A)	(B)	(C)	(D)	(E)	(F)		
1	1	11421C-45200	COVER ASSY	1							
2	2	114210-07200	LABEL, DECOMPRESSION	1							
3	2	183720-55210	GROMMET	4							
4	2	11421C-45300	COVER	1							
5	3	11421C-45310	INSULATOR, NOISE	1							
6	2	114350-45340	COLLAR	4							
7	1	11421C-45260	COVER	1							
8	1	11421C-45270	COVER	1							
9	1	114350-45320	RUBBER SEAL	1							
10	1	114350-45340	COLLAR	1							
11	1	114210-45350	SPACER, TOP COVER	1							
12	1	114210-45360	STUD BOLT, TOP COVER	1							
13	1	183720-55210	GROMMET	1							
14	1	26106-060082	BOLT, M6X 8 PLATED	4							
15	1	26106-060202	BOLT, M6X 20 PLATED	4							
16	1	26366-060002	NUT, M6	1							
17	1	11421C-45100	CASE, COOLING FAN	1							
18	1	114250-45301	ABSORBER	4							
19	1	114250-45310	COLLAR	4							
20	1	114250-45330	SEAL, FAN CASE L=875	1							
21	1	114370-45351	BOLT	4							
23	1	114399-76251	RECOIL STARTER(D)ASY	1							
24	2	114399-76510	CASE, STARTER	1							
25	2	114399-76521	REEL, RECOIL	1							
27	2	114399-76531	RATCHET	1							
28	2	114399-76540	SPRING, SPIRAL	1							
29	2	114399-76550	COVER	1							
30	2	114399-76560	SPRING	1							
31	2	114399-76570	SPRING, RETURN	1							
32	2	114399-76580	SCREW	1							
33	2	114399-76620	KNOB, STARTER	1							
34	2	114399-76630	ROPE, STARTER	1							
35	1	114399-76590	PULLEY, STARTER	1							
36	1	26106-060082	BOLT, M6X 8 PLATED	4							
37	1	26106-060122	BOLT, M6X 12 PLATED	3							

N:Old $\frac{100}{100}$ New, Q:Old $\frac{100}{100}$ New, R:Old $\frac{100}{100}$ New, S:Old $\frac{100}{100}$ New, W:Add, Z:Discontinued, F:Interchangeable by set, K:Q'ty Change
 Copyright (C) YANMAR CO., LTD. All Rights Reserved.

Fig.7. F.I.PUMP & F.I.VALVE

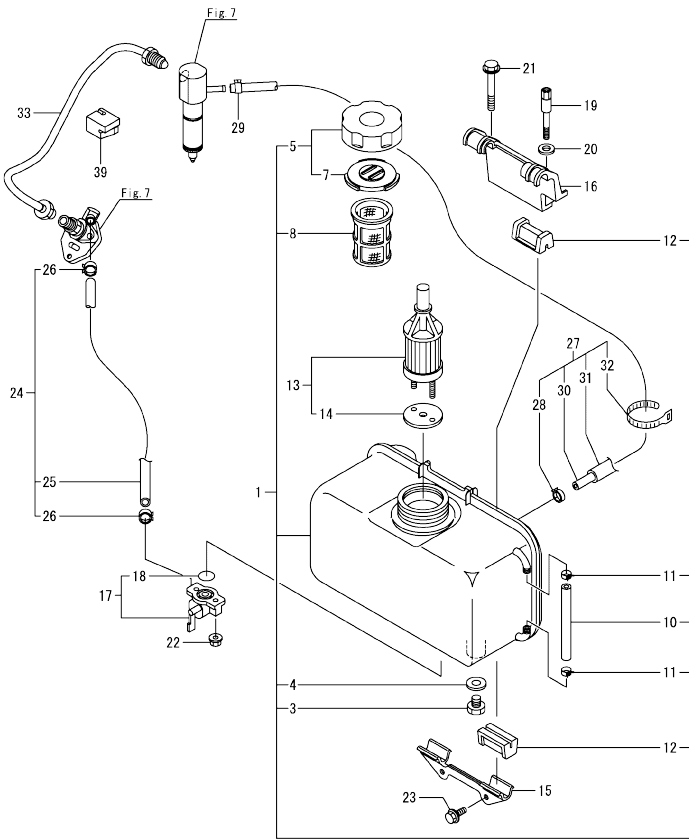


品質保証上インナパーツは、販売不可
ON A GUARANTEE OF QUALITY
COMPONENT PART SHALL NOT BE SOLD

No.	Lev.	Parts No.	Description	Q'ty					
				(A)	(B)	(C)	(D)	(E)	(F)
1	1	714249-51400	PUMP ASSY, INJECTION	1					
27	1	714249-53100	VALVE ASSY, INJECTION	1					
28	2	114249-53000	NOZZLE ASSY	1					
31	2	114250-53080	NUT, NOZZLE D16.95	1					
32	2	114339-53100	HOLDER ASSY, NOZZLE	1					
36	3	22351-025005	PIN, SPRING 2.5X 6	1					
37	2	114250-53120	SPRING, NOZZLE	1					
38	2	114250-53130	SEAT, SPRING	1					
39	2	114250-53140	PLATE	1					
40	2	114250-53210	PIN	2					
41	2	114250-53400	SHIM SET	1					

OCD11-M09900

Fig.8. FUEL TANK & FUEL PIPE

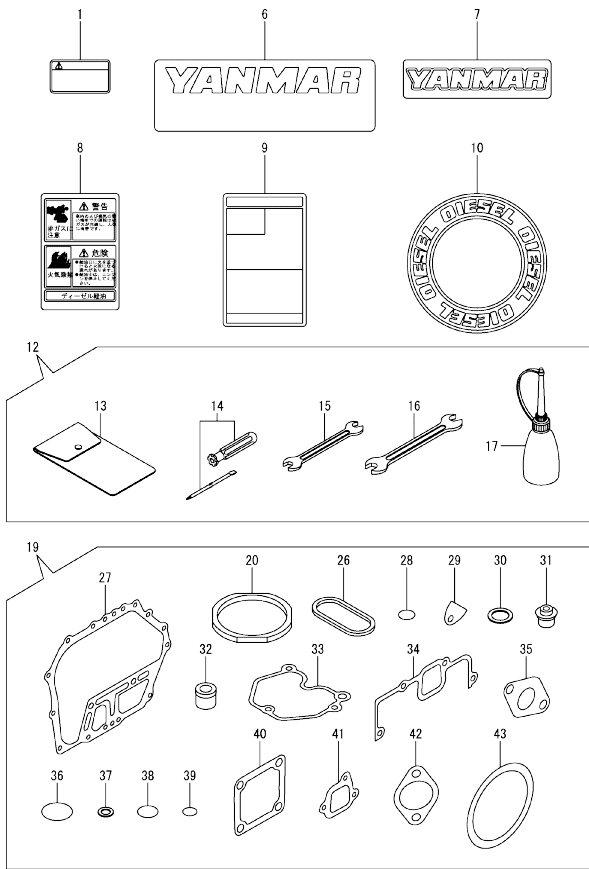


No.	Lev.	Parts No.	Description	Q'ty						
				(A)	(B)	(C)	(D)	(E)	(F)	
1	1	11421C-55720	TANK ASSY, FUEL	1						
3	3	114299-55080	PLUG, DRAIN	1						
4	3	23414-080000	GASKET, 8X1.0	1						
5	2	114288-55041	CAP ASSY	1						
7	3	114288-55081	VALVE	1						
8	2	114250-55100	FILTER, FUEL	1						
10	2	114239-55150	GAUGE, LEVEL	1						
11	2	23080-007000	CLAMP, 7	2						
12	2	114250-55201	DAMPER, FUEL TANK	4						
13	1	114250-55121	FILTER ASSY, FUEL	1						
14	2	114250-55130	GASKET	1						
15	1	114210-55210	STAY A, FUEL TANK	1						
16	1	11421C-55230	STAY, FUEL TANK	1						
17	1	114240-55300	COCK ASSY, FUEL	1						
18	2	24311-000125	O-RING, 1AP12.5	1						
19	1	114210-55810	BOLT, LIFTING	1						
20	1	22117-080000	WASHER, 8	1						
21	1	26106-080452	BOLT, M8X 45 PLATED	1						
22	1	26366-060002	NUT, M6	2						
23	1	26106-060162	BOLT, M6X 16 PLATED	2						
24	1	114780-59010	PIPE ASSY, FUEL L50	1						
25	2	114780-59060	PIPE, FUEL L=50	1						
26	2	23080-014000	CLAMP, 14	2						
27	1	114239-59300	PIPE ASSY, RETURN	1						
28	2	124722-59050	CLIP, HOSE 9	1						
29	2	124066-59100	CLIP, HOSE 8	1						
30	2	114650-59060	PIPE, FUEL RETURN	1						
31	2	114652-59310	TUBE, PROTECT	1						
32	2	121750-59890	BAND, 140	1						
33	1	114210-59800	PIPE ASSY, INJECTION	1						
39	1	114210-59850	SUPPORT, INJ. PIPE	1						

N:Old $\frac{New}{Old}$ New, Q:Old $\frac{New}{Old}$ New, R:Old $\frac{New}{Old}$ New, S:Old $\frac{New}{Old}$ New, W:Add, Z:Discontinued, F:Interchangeable by set, K:Q'ty Change
 Copyright (C) YANMAR CO., LTD. All Rights Reserved.

OCD11-M09900

Fig.9. TOOL, LABEL & GASKET SET



No.	Lev.	Parts No.	Description	Q'ty						I	R	
				(A)	(B)	(C)	(D)	(E)	(F)			
1	1	114110-07760	LABEL, FUEL OIL	1								
6	1	114250-07090	LABEL, AIR COOLED	1								
7	1	114250-07111	LABEL, YANMAR	1								
8	1	114210-07120	LABEL, CAUTION	1								
9	1	114210-07130	LABEL HOW TO START-E	1								
10	1	114261-07350	LABEL, DIESEL	1								
12	1	714250-92100	BOX ASSY, TOOL	1								
13	2	114250-92600	BAG, TOOL	1								
14	2	160330-92730	DRIVE, SCREW	1								
15	2	28110-100120	SPANNER, 10X12	1								
16	2	28110-140170	SPANNER, 14X17	1								
17	2	28210-000150	OILER	1								
19	1	114220-92600	GASKET SET	1								1
20	2	114395-01330	GASKET, HEAD	1								
26	2	114399-01380	O-RING	1								
27	2	114399-01410	GASKET, CRANK CASE	1								
28	2	114299-01950	O-RING, 18	2								
29	2	114250-01841	GASKET	1								
30	2	22190-160002	WASHER, SEAL 16	2								
31	2	114350-11340	SEAL, VALVE STEM	2								
32	2	114771-11461	GASKET, NOZZLE	1								
33	2	114210-11310	GASKET, BONNET	1								
34	2	114210-12210	GASKET, AIR CLEANER	1								
35	2	114299-13200	GASKET, MUFFLER	1								
36	2	114299-32570	O-RING	1								
37	2	23414-080000	GASKET, 8X1.0	1								
38	2	24341-000224	O-RING, 1AS22.4	1								
39	2	24341-000150	O-RING, 1AS15.0	1								
40	2	129100-77510	GASKET, AIR HEATER	3								
41	2	114299-12210	GASKET, AIR CLEANER	2								
42	2	114299-12920	GASKET, AIR CLEANER	1								
43	2	114399-21980	GASKET	1								

Remarks
(1) OPTIONAL PARTS.

N:Old $\frac{100}{100}$ New, Q:Old $\frac{100}{100}$ New, R:Old $\frac{100}{100}$ New, S:Old $\frac{100}{100}$ New, W:Add, Z:Discontinued, F:Interchangeable by set, K:Qty Change
Copyright (C) YANMAR CO., LTD. All Rights Reserved.

Parts No. Index

Parts No.	Fig. No.	Ref. No.	Parts No.	Fig. No.	Ref. No.	Parts No.	Fig. No.	Ref. No.	Parts No.	Fig. No.	Ref. No.
102100-67080	5	52	11421C-11260	2	15	114250-53400	7	41	114399-76570	6	31
103338-32570	5	8	11421C-11650	2	17	114250-55100	8	8	114399-76580	6	32
103854-01221	4	21	11421C-11660	2	21	114250-55121	8	13	114399-76590	6	35
105010-11490	2	28	11421C-11950	2	36	114250-55130	8	14	114399-76620	6	33
105425-01690	1	39	11421C-13500	3	20	114250-55201	8	12	114399-76630	6	34
114110-07760	9	1	11421C-21420	4	23	114250-66200	5	65	114650-59060	8	30
114210-01200	2	1	11421C-21730	4	13	114250-66440	5	51	114652-59310	8	31
114210-01210	2	2	11421C-45100	6	17	114250-92600	9	13	114699-01760	1	40
114210-03590	2	38	11421C-45200	6	1	114252-66252	5	50	114770-61190	5	15
114210-07120	9	8	11421C-45260	6	7	114261-07350	9	10	114770-61520	5	22
114210-07130	9	9	11421C-45270	6	8	114270-01600	1	27	114770-61600	5	43
114210-07200	6	2	11421C-45300	6	4	114288-13800	3	29	114770-61610	5	44
114210-11120	2	10	11421C-45310	6	5	114288-55041	8	5	114771-11461	9	32
114210-11180	2	11	11421C-55230	8	16	114288-55081	8	7	114771-61700	5	58
114210-11310	2	35	11421C-55720	8	1	114299-01950	1	42	114771-61810	5	59
	9	33	114220-22140	4	54		9	28	114771-61830	5	60
114210-11901	2	30	114220-22150	4	62	114299-02030	1	46	114771-61890	5	67
114210-11930	2	12	114220-92600	9	19	114299-03640	2	41	114771-61940	5	61
114210-12010	3	2	114239-55150	8	10	114299-12210	9	41	114771-61960	5	69
114210-12210	3	16	114239-59300	8	27	114299-12920	9	42	114771-66600	5	62
	9	34	114240-11450	2	26	114299-13200	9	35	114771-66690	5	63
114210-12500	3	6	114240-11550	2	27	114299-32570	9	36	114780-59010	8	24
114210-12511	3	1	114240-22040	4	52	114299-55080	8	3	114780-59060	8	25
114210-12560	3	10	114240-22050	4	60	114339-53100	7	32	114780-61090	5	66
114210-12590	3	11	114240-55300	8	17	114350-01380	1	11	114871-01330	1	5
114210-12600	3	14	114249-53000	7	28	114350-01412	1	31	118200-23200	4	43
114210-12610	3	9	114250-01800	1	12	114350-01700	1	44	121750-59890	8	32
114210-14200	4	6	114250-01830	1	23	114350-02100	1	35	124066-59100	8	29
114210-14300	4	7	114250-01841	1	24	114350-02113	1	47	124722-59050	8	28
114210-14400	4	12		9	29	114350-02200	1	52	129100-77510	9	40
114210-23600	4	44	114250-07090	9	6	114350-02210	1	53	160110-02220	1	48
114210-23610	4	68	114250-07111	9	7	114350-11340	2	25	160330-92730	9	14
114210-23620	4	70	114250-11240	2	19		9	31	160725-78350	5	53
114210-45350	6	11		2	23	114350-45320	6	9	160842-21150	4	26
114210-45360	6	12	114250-11600	2	29	114350-45340	6	6	160842-21250	4	27
114210-55210	8	15	114250-12300	3	15		10		160842-21260	4	28
114210-55810	8	19	114250-13201	3	19	114370-45351	6	21	183720-55210	6	3
114210-59800	8	33	114250-21550	4	22	114380-23100	4	42			13
114210-59850	8	39	114250-32010	5	1	114395-01330	9	20	22117-080000	8	20
114210-61290	5	17	114250-32070	5	7	114399-01380	9	26	22190-160002	1	43
114210-61550	5	23	114250-35110	5	11	114399-01410	9	27		9	30
114210-66010	5	64	114250-35150	1	37	114399-21980	9	43	22242-000120	2	16
114210-66060	5	45	114250-45301	6	18	114399-22300	4	37	22252-000210	4	38
114210-66100	5	49	114250-45310	6	19	114399-76251	6	23	22312-030160	2	43
11421C-01010	1	1	114250-45330	6	20	114399-76510	6	24		5	9
11421C-01450	1	32	114250-53080	7	31	114399-76521	6	25	22312-040080	1	25
11421C-11020	2	3	114250-53120	7	37	114399-76531	6	27	22322-030200	5	35
11421C-11100	2	8	114250-53130	7	38	114399-76540	6	28		40	
11421C-11110	2	9	114250-53140	7	39	114399-76550	6	29	22351-025005	7	36
11421C-11250	2	14	114250-53210	7	40	114399-76560	6	30	22351-040008	2	31

Parts No. Index

Parts No.	Fig. No.	Ref. No.
22451-060000	5	71
22512-040120	4	25
23080-007000	8	11
23080-014000	8	26
23414-080000	8	4
	9	37
23875-020000	1	26
23876-010000	1	51
24101-062030	4	51
24162-152116	1	49
24311-000125	8	18
24311-000180	5	70
24341-000150	9	39
24341-000224	5	13
	9	38
26106-060082	6	14
		36
26106-060122	3	26
	5	10
	6	37
26106-060142	5	54
26106-060162	5	14
	8	23
26106-060202	3	17
	5	55
	6	15
26106-060402	2	32
26106-060552	2	46
26106-080122	1	50
26106-080352	1	38
26106-080452	8	21
26106-100122	1	45
26117-050089	5	48
26216-080182	3	27
26226-060182	1	28
26226-060222	1	29
26226-060302	3	18
26226-060552	2	33
26306-080002	3	28
26347-060002	5	56
26366-060002	1	30
	2	34
	6	16
	8	22
26367-060002	3	31
26554-060182	3	30
26757-060002	5	57
26856-060002	2	20
		24
28110-100120	9	15

Parts No.	Fig. No.	Ref. No.
28110-140170	9	16
28210-000150	9	17
714210-14581	4	1
714210-22721	4	29
714210-28511	4	46
714210-61700	5	16
71421C-23010	4	39
714249-51400	7	1
714249-53100	7	27
714250-92100	9	12
714870-22502	4	31

Parts No.	Fig. No.	Ref. No.
-----------	----------	----------

Parts No.	Fig. No.	Ref. No.
-----------	----------	----------