

0CC50-M03750EN

# P R E F A C E

This parts catalog is the 1st edition of L70V6FF1Z1AAFV for FAST VERDI.

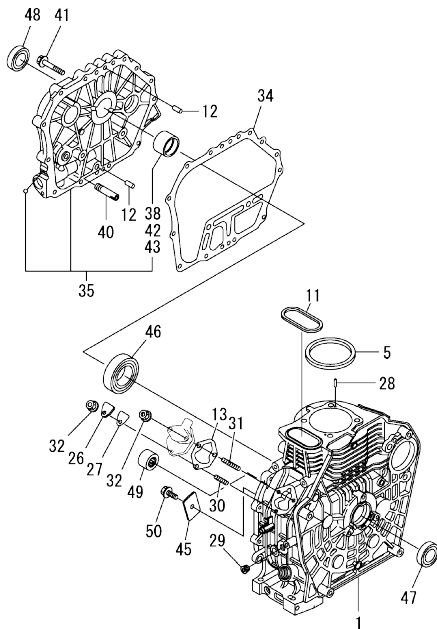
Published : April, 2021

## Contents

0CC50-M03750

| Fig. No. | Fig. Name                                  | Fig. No. | Fig. Name |
|----------|--------------------------------------------|----------|-----------|
| ENGINE   |                                            |          |           |
| 1.       | CYLINDER BLOCK                             |          |           |
| 2.       | DRAIN PLUG                                 |          |           |
| 3.       | LABEL                                      |          |           |
| 4.       | CYLINDER HEAD & BONNET                     |          |           |
| 5.       | AIR CLEANER                                |          |           |
| 6.       | EXHAUST MUFFLER                            |          |           |
| 7.       | CAMSHAFT                                   |          |           |
| 8.       | CRANKSHAFT                                 |          |           |
| 9.       | FLYWHEEL                                   |          |           |
| 10.      | PISTON & CONNECTING ROD                    |          |           |
| 11.      | BALANCER SHAFT                             |          |           |
| 12.      | LUB. OIL PUMP & GOVERNOR                   |          |           |
| 13.      | SWITCH CAP(OIL PRESSURE)                   |          |           |
| 14.      | COVER                                      |          |           |
| 15.      | COOLING FAN CASE                           |          |           |
| 16.      | FUEL INJECTION PUMP & FUEL INJECTION VALVE |          |           |
| 17.      | FUEL TANK & FUEL PIPE                      |          |           |
| 18.      | CONTROL DEVICE                             |          |           |
| 19.      | RECOIL STARTER                             |          |           |
| 20.      | GASKET SET & TOOL                          |          |           |

Fig.1. CYLINDER BLOCK



(A)=L70V6FF1Z1AAFV  
(B)=  
(C)=

(D)=  
(E)=  
(F)=

| No. | Lev. | Parts No.    | Description          | Q'ty |     |     |     |     |     | I | R |
|-----|------|--------------|----------------------|------|-----|-----|-----|-----|-----|---|---|
|     |      |              |                      | (A)  | (B) | (C) | (D) | (E) | (F) |   |   |
| 1   | 1    | 1142A0-01010 | BLOCK ASSY, CYLINDER | 1    |     |     |     |     |     |   |   |
| 5   | 1    | 114395-01331 | GASKET, HEAD         | 1    |     |     |     |     |     |   |   |
| 11  | 1    | 114399-01380 | O-RING, TAPPET       | 1    |     |     |     |     |     |   |   |
| 12  | 1    | 114299-01600 | PIN, PARALLEL 8X12   | 2    |     |     |     |     |     |   |   |
| 13  | 1    | 114299-01800 | SHIM SET, PUMP       | 1    |     |     |     |     |     |   |   |
| 26  | 1    | 114299-01830 | COVER, PUMP          | 1    |     |     |     |     |     |   |   |
| 27  | 1    | 114250-01841 | GASKET, COVER        | 1    |     |     |     |     |     |   |   |
| 28  | 1    | 22312-040080 | PIN, PARALLEL M4X 8  | 2    |     |     |     |     |     |   |   |
| 29  | 1    | 23875-020000 | PLUG, R02            | 1    |     |     |     |     |     |   |   |
| 30  | 1    | 26226-060182 | STUD, M6X 18         | 1    |     |     |     |     |     |   |   |
| 31  | 1    | 26226-060222 | STUD, M6X 22         | 2    |     |     |     |     |     |   |   |
| 32  | 1    | 26366-060002 | NUT, M6              | 3    |     |     |     |     |     |   |   |
| 34  | 1    | 114399-01410 | GASKET, CASE COVER   | 1    |     |     |     |     |     |   |   |
| 35  | 1    | 114211-01450 | COVER, CRANK CASE    | 1    |     |     |     |     |     |   |   |
| 38  | 2    | 114840-02110 | BEARING, MAIN        | 1    |     |     |     |     |     |   | 1 |
| 40  | 1    | 114299-35150 | PIPE, OIL INLET      | 1    |     |     |     |     |     |   |   |
| 41  | 1    | 26106-080352 | BOLT, M8X 35 PLATED  | 15   |     |     |     |     |     |   |   |
| 42  | 1    | 114840-02200 | BEARING, MAIN 0.25OS | 1    |     |     |     |     |     |   | 2 |
| 43  | 1    | 114840-02210 | BEARING, MAIN 0.50OS | 1    |     |     |     |     |     |   | 3 |
| 45  | 1    | 114299-02030 | RETAINER, BEARING    | 1    |     |     |     |     |     |   |   |
| 46  | 1    | 114350-02113 | BEARING, B35-135G3C3 | 1    |     |     |     |     |     |   |   |
| 47  | 1    | 160110-02220 | SEAL, OIL 30X45X8    | 1    |     |     |     |     |     |   |   |
| 48  | 1    | 160110-02220 | SEAL, OIL 30X45X8    | 1    |     |     |     |     |     |   |   |
| 49  | 1    | 24162-152116 | BEARING, 152116      | 1    |     |     |     |     |     |   |   |
| 50  | 1    | 26106-080122 | BOLT, M8X 12 PLATED  | 1    |     |     |     |     |     |   |   |

Remarks

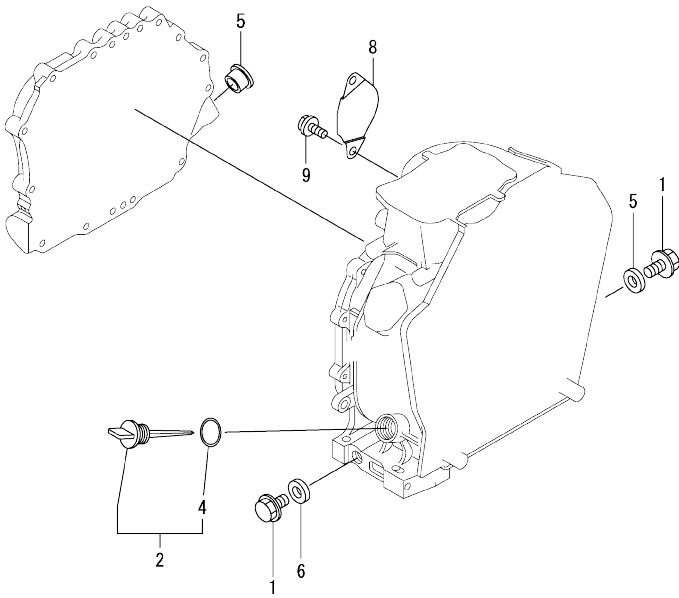
- (1) Spare parts.
- (2) Over-sized (O.S.=0.25) parts.
- (3) Over-sized (O.S.=0.50) parts.

OCC50-M03750 ENGINE  
 Fig.2. DRAIN PLUG

OCC50-M03750 Fig.2

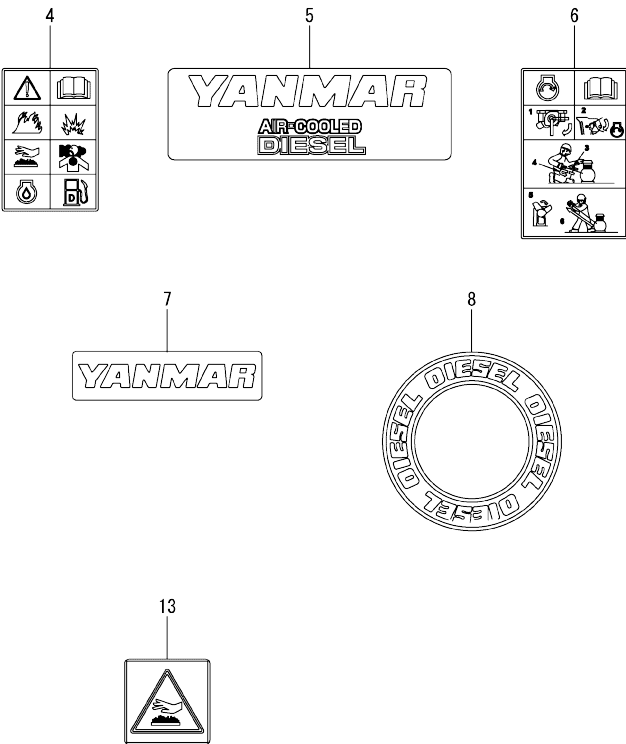
(A)=L70V6FF1Z1AAFV  
 (B)=  
 (C)=

(D)=  
 (E)=  
 (F)=



| No. | Lev. | Parts No.    | Description          | Q'ty |     |     |     |     |     |
|-----|------|--------------|----------------------|------|-----|-----|-----|-----|-----|
|     |      |              |                      | (A)  | (B) | (C) | (D) | (E) | (F) |
| 1   | 1    | 114299-01690 | PLUG, DRAIN 16       | 2    |     |     |     |     |     |
| 2   | 1    | 114699-01760 | CAP ASSY, OIL SUPPLY | 1    |     |     |     |     |     |
| 4   | 2    | 114299-01950 | O-RING, 18           | 1    |     |     |     |     |     |
| 5   | 1    | 114940-01870 | PLUG, RUBBER 22      | 1    |     |     |     |     |     |
| 6   | 1    | 22190-160002 | WASHER, SEAL 16      | 2    |     |     |     |     |     |
| 8   | 1    | 114399-01700 | COVER, STARTER       | 1    |     |     |     |     |     |
| 9   | 1    | 26106-100122 | BOLT, M10X 12 PLATED | 2    |     |     |     |     |     |

Fig.3. LABEL

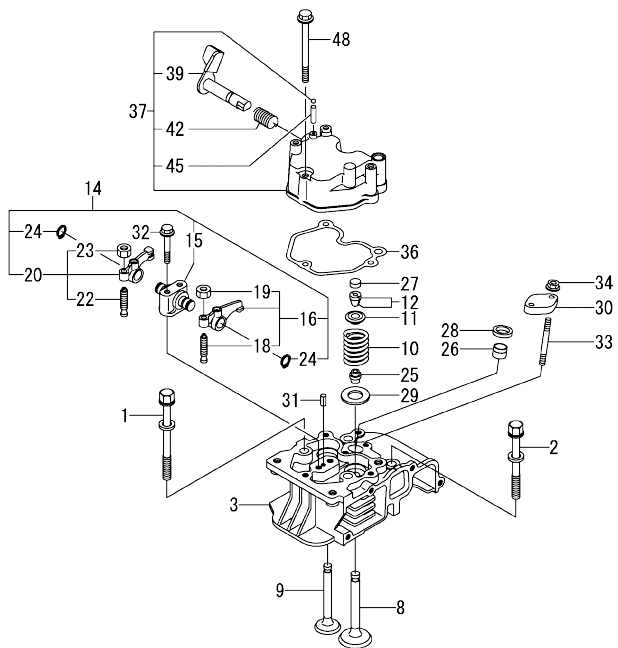


(A)=L70V6FF1Z1AAFV  
(B)=  
(C)=

(D)=  
(E)=  
(F)=

| No. | Lev. | Parts No.    | Description          | Q'ty |     |     |     |     |     |
|-----|------|--------------|----------------------|------|-----|-----|-----|-----|-----|
|     |      |              |                      | (A)  | (B) | (C) | (D) | (E) | (F) |
| 4   | 1    | 114220-07100 | LABEL, CAUTION       | 1    |     |     |     |     |     |
| 5   | 1    | 114299-07101 | LABEL, YANMAR MARK A | 1    |     |     |     |     |     |
| 6   | 1    | 114220-07110 | LABEL, HOW TO START  | 1    |     |     |     |     |     |
| 7   | 1    | 114299-07111 | LABEL, YANMAR MARK B | 1    |     |     |     |     |     |
| 8   | 1    | 114299-07160 | LABEL, DIESEL        | 1    |     |     |     |     |     |
| 13  | 1    | 114220-07130 | LABEL, HOT SURFACE   | 1    |     |     |     |     |     |

Fig.4. CYLINDER HEAD & BONNET



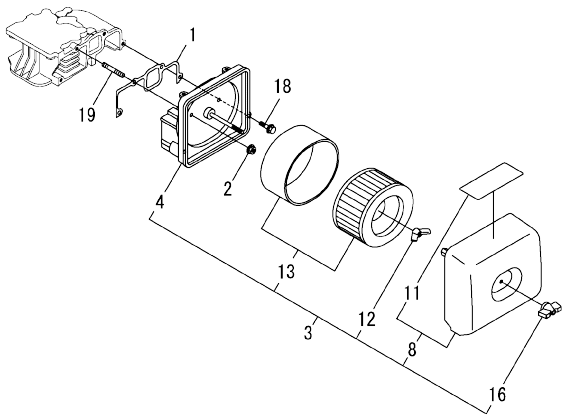
(A)=L70V6FF1Z1AAFV  
(B)=  
(C)=

(D)=  
(E)=  
(F)=

| No. | Lev. | Parts No.    | Description           | Q'ty |     |     |     |     |     | I | R |
|-----|------|--------------|-----------------------|------|-----|-----|-----|-----|-----|---|---|
|     |      |              |                       | (A)  | (B) | (C) | (D) | (E) | (F) |   |   |
| 1   | 1    | 114210-01200 | BOLT, HEAD A          | 2    |     |     |     |     |     |   |   |
| 2   | 1    | 114210-01210 | BOLT, HEAD B          | 2    |     |     |     |     |     |   |   |
| 3   | 1    | 114211-11020 | HEAD, CYLINDER        | 1    |     |     |     |     |     |   |   |
| 8   | 1    | 11421C-11100 | VALVE, INTAKE         | 1    |     |     |     |     |     |   |   |
| 9   | 1    | 11421C-11110 | VALVE, EXHAUST        | 1    |     |     |     |     |     |   |   |
| 10  | 1    | 114210-11120 | SPRING, VALVE         | 2    |     |     |     |     |     |   |   |
| 11  | 1    | 114210-11180 | RETAINER, SPRING      | 2    |     |     |     |     |     |   |   |
| 12  | 1    | 114210-11930 | COTTER ASSY           | 2    |     |     |     |     |     |   |   |
| 14  | 1    | 11421C-11250 | SUPPORT ASSY, ARM     | 1    |     |     |     |     |     |   |   |
| 15  | 2    | 11421C-11260 | SUPPORT, ROCKER ARM   | 1    |     |     |     |     |     |   |   |
| 16  | 2    | 11421C-11650 | ARM ASSY, ROCKER      | 1    |     |     |     |     |     |   |   |
| 18  | 3    | 114250-11240 | SCREW, VALVE ADJUST   | 1    |     |     |     |     |     |   |   |
| 19  | 3    | 26856-060002 | NUT, M6               | 1    |     |     |     |     |     |   |   |
| 20  | 2    | 11421C-11660 | ARM ASSY, ROCKER EXH  | 1    |     |     |     |     |     |   |   |
| 22  | 3    | 114250-11240 | SCREW, VALVE ADJUST   | 1    |     |     |     |     |     |   |   |
| 23  | 3    | 26856-060002 | NUT, M6               | 1    |     |     |     |     |     |   |   |
| 24  | 2    | 22242-000120 | RING, 12              | 2    |     |     |     |     |     |   |   |
| 25  | 1    | 114350-11341 | SEAL, VALVE STEM      | 2    |     |     |     |     |     |   |   |
| 26  | 1    | 114240-11450 | PROTECTOR, NOZZLE     | 1    |     |     |     |     |     |   |   |
| 27  | 1    | 105010-11490 | CAP, VALVE            | 2    |     |     |     |     |     |   |   |
| 28  | 1    | 114240-11550 | SEAT, NOZZLE          | 1    |     |     |     |     |     |   |   |
| 29  | 1    | 114299-11600 | WASHER, VALVE SPRING  | 2    |     |     |     |     |     |   |   |
| 30  | 1    | 114210-11901 | RETAINER, VALVE       | 1    |     |     |     |     |     |   |   |
| 31  | 1    | 22351-040008 | PIN, SPRING 4.0X 8    | 1    |     |     |     |     |     |   |   |
| 32  | 1    | 26106-060402 | BOLT, M6X 40 PLATED   | 2    |     |     |     |     |     |   |   |
| 33  | 1    | 26226-060552 | STUD, M6X 55          | 2    |     |     |     |     |     |   |   |
| 34  | 1    | 26366-060002 | NUT, M6               | 2    |     |     |     |     |     |   |   |
| 36  | 1    | 114210-11310 | GASKET, BONNET        | 1    |     |     |     |     |     |   |   |
| 37  | 1    | 114210-11950 | BONNET ASSY, HEAD     | 1    |     |     |     |     |     |   |   |
| 39  | 2    | 114210-03590 | DECOMPRESSION ASSY    | 1    |     |     |     |     |     |   |   |
| 42  | 2    | 114299-03640 | SPRING, DECOMPRESSION | 1    |     |     |     |     |     |   |   |
| 45  | 2    | 22312-030160 | PIN, PARALLEL M3X16   | 1    |     |     |     |     |     |   |   |
| 48  | 1    | 26106-060552 | BOLT, M6X 55 PLATED   | 3    |     |     |     |     |     |   |   |

OCC50-M03750 ENGINE  
 Fig.5. AIR CLEANER

OCC50-M03750 Fig.5



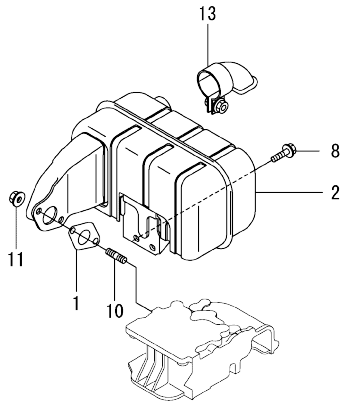
(A)=L70V6FF1Z1AAFV  
 (B)=  
 (C)=

(D)=  
 (E)=  
 (F)=

| No. | Lev. | Parts No.    | Description         | Q'ty |     |     |     |     |     |
|-----|------|--------------|---------------------|------|-----|-----|-----|-----|-----|
|     |      |              |                     | (A)  | (B) | (C) | (D) | (E) | (F) |
| 1   | 1    | 114210-12210 | GASKET, AIR CLEANER | 1    |     |     |     |     |     |
| 2   | 1    | 114299-12300 | NUT                 | 3    |     |     |     |     |     |
| 3   | 1    | 114210-12511 | CLEANER ASSY, AIR   | 1    |     |     |     |     |     |
| 4   | 2    | 114210-12010 | BODY ASSY, CLEANER  | 1    |     |     |     |     |     |
| 8   | 2    | 114210-12500 | COVER ASSY, CLEANER | 1    |     |     |     |     |     |
| 11  | 3    | 114210-12610 | LABEL, AIR CLEANER  | 1    |     |     |     |     |     |
| 12  | 2    | 114210-12560 | NUT, WING           | 1    |     |     |     |     |     |
| 13  | 2    | 114210-12590 | ELEMENT ASSY        | 1    |     |     |     |     |     |
| 16  | 2    | 114210-12600 | KNOB                | 1    |     |     |     |     |     |
| 18  | 1    | 26106-060202 | BOLT, M6X 20 PLATED | 1    |     |     |     |     |     |
| 19  | 1    | 26226-060302 | STUD, M6X 30        | 3    |     |     |     |     |     |



Fig.6. EXHAUST MUFFLER



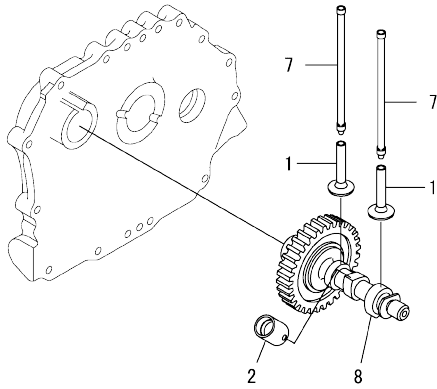
(A)=L70V6FF1Z1AAFV  
(B)=  
(C)=

(D)=  
(E)=  
(F)=

| No. | Lev. | Parts No.    | Description         | Q'ty |     |     |     |     |     | I | R |
|-----|------|--------------|---------------------|------|-----|-----|-----|-----|-----|---|---|
|     |      |              |                     | (A)  | (B) | (C) | (D) | (E) | (F) |   |   |
| 1   | 1    | 114299-13200 | GASKET, MUFFLER     | 1    |     |     |     |     |     |   |   |
| 2   | 1    | 11421C-13510 | MUFFLER ASSY        | 1    |     |     |     |     |     |   |   |
| 8   | 1    | 26106-080162 | BOLT, M8X 16 PLATED | 2    |     |     |     |     |     |   |   |
| 10  | 1    | 26216-080182 | STUD, M8X 18        | 2    |     |     |     |     |     |   |   |
| 11  | 1    | 26306-080002 | NUT, M8             | 2    |     |     |     |     |     |   |   |
| 13  | 1    | 114299-13800 | EXTENSION ASSY      | 1    |     |     |     |     |     |   |   |

OCC50-M03750 ENGINE  
 Fig.7. CAMSHAFT

OCC50-M03750 Fig.7



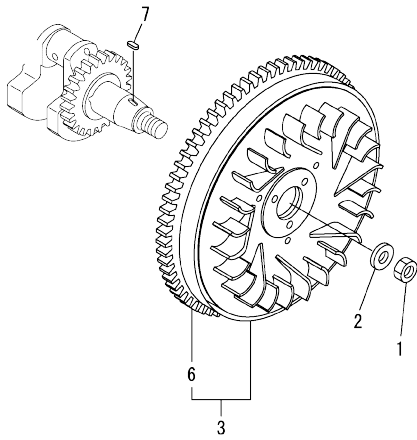
(A)=L70V6FF1Z1AAFV  
 (B)=  
 (C)=

(D)=  
 (E)=  
 (F)=

| No. | Lev. | Parts No.    | Description         | Q'ty |     |     |     |     |     |
|-----|------|--------------|---------------------|------|-----|-----|-----|-----|-----|
|     |      |              |                     | (A)  | (B) | (C) | (D) | (E) | (F) |
| 1   | 1    | 114210-14200 | TAPPET              | 2    |     |     |     |     |     |
| 2   | 1    | 114210-14300 | TAPPET ASSY, ROLLER | 1    |     |     |     |     |     |
| 7   | 1    | 114220-14400 | ROD ASSY, PUSH      | 2    |     |     |     |     |     |
| 8   | 1    | 114210-14580 | CAMSHAFT ASSY       | 1    |     |     |     |     |     |



OCC50-M03750 ENGINE  
 Fig.9. FLYWHEEL



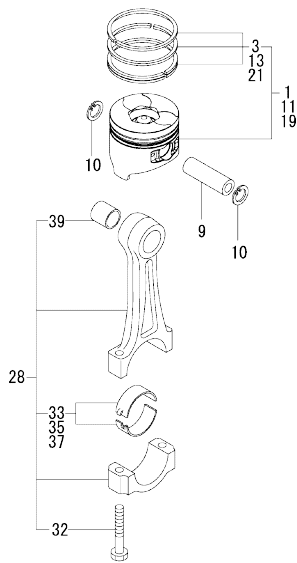
OCC50-M03750 Fig.9

(A)=L70V6FF1Z1AAFV  
 (B)=  
 (C)=

(D)=  
 (E)=  
 (F)=

| No. | Lev. | Parts No.    | Description       | Q'ty |     |     |     |     |     |
|-----|------|--------------|-------------------|------|-----|-----|-----|-----|-----|
|     |      |              |                   | (A)  | (B) | (C) | (D) | (E) | (F) |
| 1   | 1    | 114299-21220 | NUT, WHEEL        | 1    |     |     |     |     |     |
| 2   | 1    | 114299-21550 | WASHER, FLYWHEEL  | 1    |     |     |     |     |     |
| 3   | 1    | 114399-21590 | FLYWHEEL ASSY, DE | 1    |     |     |     |     |     |
| 6   | 2    | 114399-21600 | GEAR, RING        | 1    |     |     |     |     |     |
| 7   | 1    | 22512-040120 | KEY, 4X 12        | 1    |     |     |     |     |     |

Fig.10. PISTON & CONNECTING ROD



(A)=L70V6FF1Z1AAFV  
(B)=  
(C)=

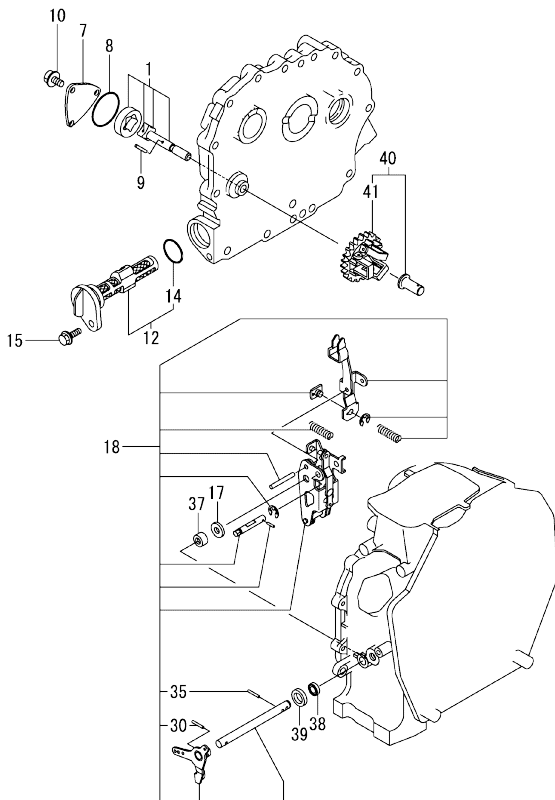
(D)=  
(E)=  
(F)=

| No. | Lev. | Parts No.    | Description           | Q'ty |     |     |     |     |     | I | R |
|-----|------|--------------|-----------------------|------|-----|-----|-----|-----|-----|---|---|
|     |      |              |                       | (A)  | (B) | (C) | (D) | (E) | (F) |   |   |
| 1   | 1    | 714210-22721 | PISTON ASSY, D        | 1    |     |     |     |     |     |   |   |
| 3   | 2    | 714870-22502 | RING SET, PISTON      | 1    |     |     |     |     |     |   |   |
| 9   | 1    | 114399-22300 | PIN, PISTON D=21      | 1    |     |     |     |     |     |   |   |
| 10  | 1    | 22252-000210 | RING, 21              | 2    |     |     |     |     |     |   |   |
| 11  | 1    | 114240-22040 | PISTON ASSY, 0.25 OS  | 1    |     |     |     |     |     |   | 1 |
| 13  | 2    | 114220-22140 | RING SET, PISTON .25  | 1    |     |     |     |     |     |   | 1 |
| 19  | 1    | 114240-22050 | PISTON ASSY, 0.50 OS  | 1    |     |     |     |     |     |   | 2 |
| 21  | 2    | 114220-22150 | RING SET, PISTON .50  | 1    |     |     |     |     |     |   | 2 |
| 28  | 1    | 11422C-23700 | ROD ASSY, CONNECTING  | 1    |     |     |     |     |     |   |   |
| 32  | 3    | 118200-23200 | BOLT, CONNECTING ROD  | 2    |     |     |     |     |     |   |   |
| 33  | 2    | 114840-23300 | METAL, CRANK PIN      | 1    |     |     |     |     |     |   |   |
| 35  | 1    | 114840-23610 | METAL, CRANK PIN 0.25 | 1    |     |     |     |     |     |   | 1 |
| 37  | 1    | 114840-23620 | METAL, CRANK PIN 0.50 | 1    |     |     |     |     |     |   | 2 |
| 39  | 1    | 114840-23910 | BUSH, PISTON PINN     | 1    |     |     |     |     |     |   | 3 |

Remarks  
(1)Over-sized(O.S.=0.25) parts.  
(2)Over-sized(O.S.=0.50) parts.  
(3)Spare parts.



Fig.12. LUB. OIL PUMP & GOVERNOR



(A)=L70V6FF1Z1AAFV  
(B)=  
(C)=

(D)=  
(E)=  
(F)=

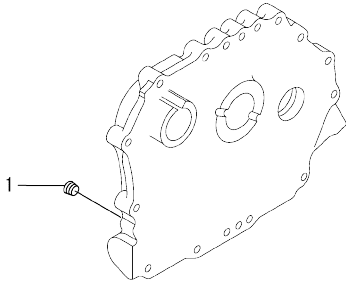
| No. | Lev. | Parts No.    | Description           | Q'ty |     |     |     |     |     | I | R |
|-----|------|--------------|-----------------------|------|-----|-----|-----|-----|-----|---|---|
|     |      |              |                       | (A)  | (B) | (C) | (D) | (E) | (F) |   |   |
| 1   | 1    | 114250-32010 | PUMP ASSY, OIL        | 1    |     |     |     |     |     |   |   |
| 7   | 1    | 114299-32070 | COVER, OIL PUMP       | 1    |     |     |     |     |     |   |   |
| 8   | 1    | 114299-32570 | O-RING, PUMP COVER    | 1    |     |     |     |     |     |   |   |
| 9   | 1    | 22312-030160 | PIN, PARALLEL M3X16   | 1    |     |     |     |     |     |   |   |
| 10  | 1    | 26106-060122 | BOLT, M6X 12 PLATED   | 3    |     |     |     |     |     |   |   |
| 12  | 1    | 114299-35110 | FILTER ASSY, OIL      | 1    |     |     |     |     |     |   |   |
| 14  | 2    | 24341-000224 | O-RING, 1AS22.4       | 1    |     |     |     |     |     |   |   |
| 15  | 1    | 26106-060162 | BOLT, M6X 16 PLATED   | 1    |     |     |     |     |     |   |   |
| 17  | 1    | 114299-61190 | WASHER, GOVERNOR      | 1    |     |     |     |     |     |   |   |
| 18  | 1    | 114210-61500 | LEVER ASSY, GOVERNOR  | 1    |     |     |     |     |     |   | 1 |
| 30  | 3    | 22322-030200 | PIN, TAPER 3X20       | 1    |     |     |     |     |     |   |   |
| 35  | 2    | 22322-030200 | PIN, TAPER 3X20       | 1    |     |     |     |     |     |   |   |
| 37  | 1    | 114770-61520 | BEARING, NEEDLE       | 2    |     |     |     |     |     |   |   |
| 38  | 1    | 114299-61600 | SEAL, OIL             | 1    |     |     |     |     |     |   |   |
| 39  | 1    | 114770-61610 | WASHER, THRUST        | 1    |     |     |     |     |     |   |   |
| 40  | 1    | 714210-61701 | GOVERNOR ASSY         | 1    |     |     |     |     |     |   |   |
| 41  | 2    | 114210-61290 | WEIGHT ASSY, GOVERNOR | 1    |     |     |     |     |     |   |   |

Remarks

(1) On a guarantee of quality, component parts shall not be sold.

OCC50-M03750 ENGINE

Fig.13. SWITCH CAP(OIL PRESSURE)



OCC50-M03750 Fig.13

(A)=L70V6FF1Z1AAFV  
(B)=  
(C)=

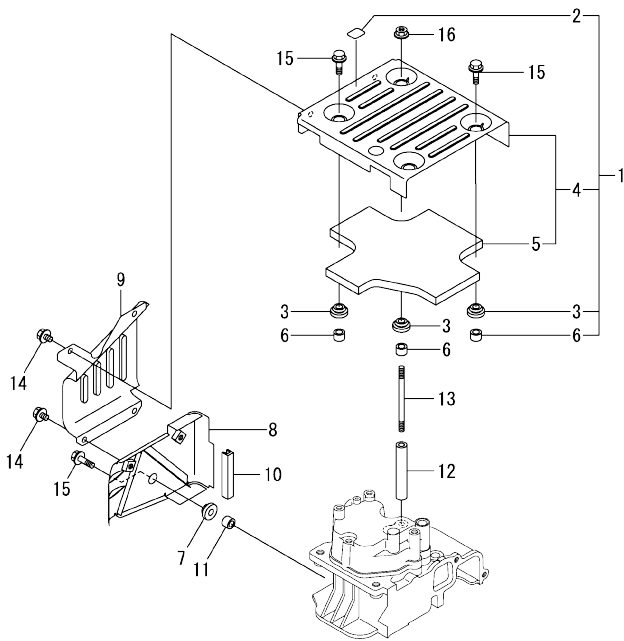
(D)=  
(E)=  
(F)=

| No. | Lev. | Parts No.    | Description | Qty |     |     |     |     |     | I | R |
|-----|------|--------------|-------------|-----|-----|-----|-----|-----|-----|---|---|
|     |      |              |             | (A) | (B) | (C) | (D) | (E) | (F) |   |   |
| 1   | 1    | 23876-010000 | PLUG, R01   | 1   |     |     |     |     |     |   |   |



OCC50-M03750 ENGINE  
 Fig.14. COVER

OCC50-M03750 Fig.14

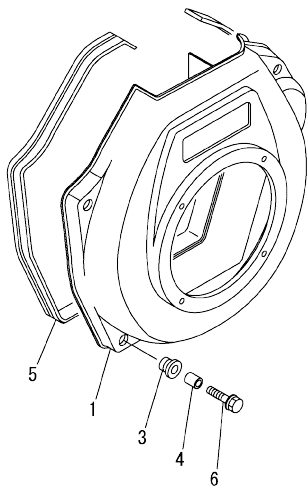


(A)=L70V6FF1Z1AAFV  
 (B)=  
 (C)=

(D)=  
 (E)=  
 (F)=

| No. | Lev. | Parts No.    | Description          | Q'ty |     |     |     |     |     | I | R |
|-----|------|--------------|----------------------|------|-----|-----|-----|-----|-----|---|---|
|     |      |              |                      | (A)  | (B) | (C) | (D) | (E) | (F) |   |   |
| 1   | 1    | 114220-45210 | COVER ASSY, TOP      | 1    |     |     |     |     |     |   |   |
| 2   | 2    | 114220-07120 | LABEL, DECOMPRESSION | 1    |     |     |     |     |     |   |   |
| 3   | 2    | 114299-45220 | GROMMET, TANK        | 4    |     |     |     |     |     |   |   |
| 4   | 2    | 114210-45320 | COVER, TOP           | 1    |     |     |     |     |     |   |   |
| 5   | 3    | 114210-45310 | ACOUSTIC ABSORBENT   | 1    |     |     |     |     |     |   |   |
| 6   | 2    | 114399-45340 | COLLAR               | 4    |     |     |     |     |     |   |   |
| 7   | 1    | 114299-45220 | GROMMET, TANK        | 1    |     |     |     |     |     |   |   |
| 8   | 1    | 114210-45260 | COVER, SIDE B        | 1    |     |     |     |     |     |   |   |
| 9   | 1    | 114210-45270 | COVER, SIDE A        | 1    |     |     |     |     |     |   |   |
| 10  | 1    | 114399-45320 | RUBBER SEAL          | 1    |     |     |     |     |     |   |   |
| 11  | 1    | 114399-45340 | COLLAR               | 1    |     |     |     |     |     |   |   |
| 12  | 1    | 114210-45350 | SPACER, TOP COVER    | 1    |     |     |     |     |     |   |   |
| 13  | 1    | 114210-45360 | STUD, M6X87          | 1    |     |     |     |     |     |   |   |
| 14  | 1    | 26106-060082 | BOLT, M6X 8 PLATED   | 4    |     |     |     |     |     |   |   |
| 15  | 1    | 26106-060202 | BOLT, M6X 20 PLATED  | 4    |     |     |     |     |     |   |   |
| 16  | 1    | 26366-060002 | NUT, M6              | 1    |     |     |     |     |     |   |   |

Fig.15. COOLING FAN CASE

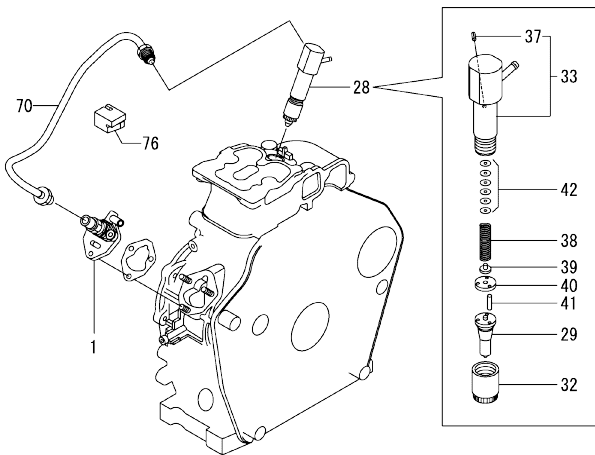


(A)=L70V6FF1Z1AAFV  
(B)=  
(C)=

(D)=  
(E)=  
(F)=

| No. | Lev. | Parts No.    | Description       | Q'ty |     |     |     |     |     | I | R |
|-----|------|--------------|-------------------|------|-----|-----|-----|-----|-----|---|---|
|     |      |              |                   | (A)  | (B) | (C) | (D) | (E) | (F) |   |   |
| 1   | 1    | 114210-45150 | CASE, COOLING FAN | 1    |     |     |     |     |     |   |   |
| 3   | 1    | 114299-45301 | RUBBER, FAN CASE  | 4    |     |     |     |     |     |   |   |
| 4   | 1    | 114299-45310 | COLLAR, FAN CASE  | 4    |     |     |     |     |     |   |   |
| 5   | 1    | 114299-45331 | SEAL, FAN CASE    | 1    |     |     |     |     |     |   |   |
| 6   | 1    | 114299-45350 | BOLT, FAN CASE    | 4    |     |     |     |     |     |   |   |

Fig.16. FUEL INJECTION PUMP & FUEL INJECTION VALVE

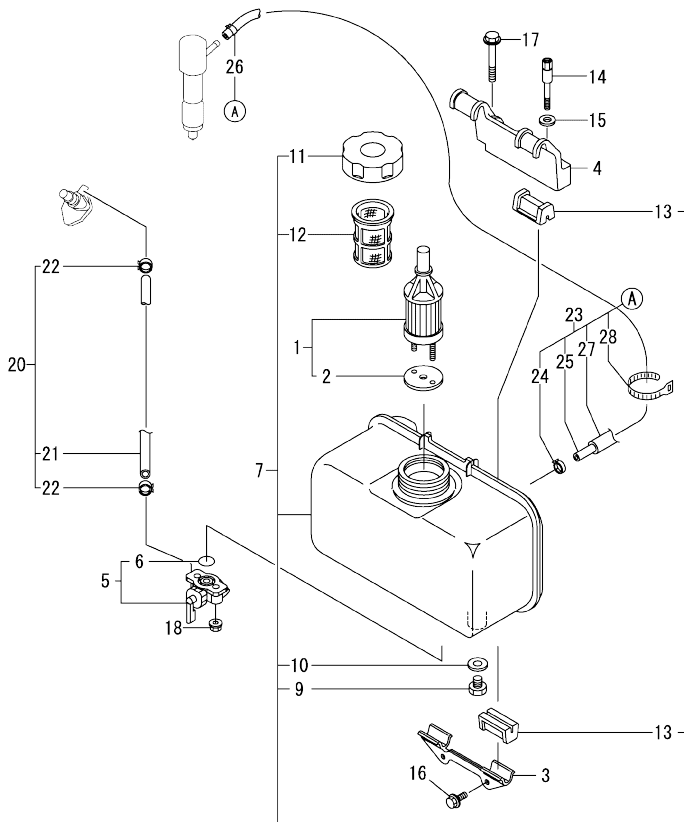


| No. | Lev. | Parts No.    | Description           | Q'ty |     |     |     |     |     | I | R |
|-----|------|--------------|-----------------------|------|-----|-----|-----|-----|-----|---|---|
|     |      |              |                       | (A)  | (B) | (C) | (D) | (E) | (F) |   |   |
| 1   | 1    | 714249-51400 | PUMP ASSY, INJECTION  | 1    |     |     |     |     |     |   | 1 |
| 28  | 1    | 714249-53100 | VALVE ASSY, INJECTION | 1    |     |     |     |     |     |   |   |
| 29  | 2    | 114249-53000 | VALVE ASSY, INJECTION | 1    |     |     |     |     |     |   |   |
| 32  | 2    | 114250-53080 | NUT, NOZZLE           | 1    |     |     |     |     |     |   |   |
| 33  | 2    | 114339-53100 | HOLDER ASSY, NOZZLE   | 1    |     |     |     |     |     |   |   |
| 37  | 3    | 22351-025005 | PIN, SPRING 2.5X 6    | 1    |     |     |     |     |     |   |   |
| 38  | 2    | 114250-53120 | SPRING, NOZZLE        | 1    |     |     |     |     |     |   |   |
| 39  | 2    | 114250-53130 | SEAT, SPRING          | 1    |     |     |     |     |     |   |   |
| 40  | 2    | 114250-53140 | SPACER, VALVE STOP    | 1    |     |     |     |     |     |   |   |
| 41  | 2    | 114250-53210 | PIN, POSITIONING      | 2    |     |     |     |     |     |   |   |
| 42  | 2    | 119803-53400 | SHIM SET              | 1    |     |     |     |     |     |   |   |
| 70  | 1    | 114210-59800 | PIPE ASSY, INJECTION  | 1    |     |     |     |     |     |   |   |
| 76  | 1    | 114210-59850 | SUPPORT, PIPE         | 1    |     |     |     |     |     |   |   |

Remarks

(1) On a guarantee of quality, component parts shall not be sold.

Fig.17. FUEL TANK & FUEL PIPE

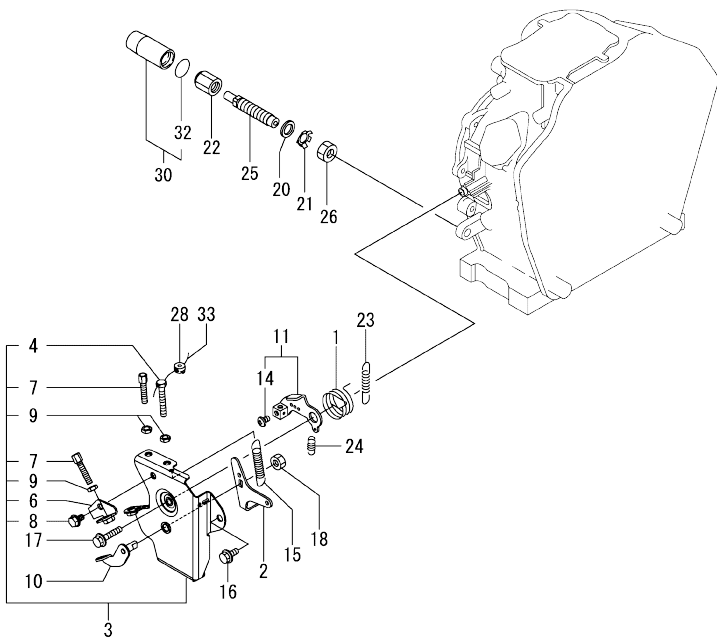


(A)=L70V6FF1Z1AAFV  
(B)=  
(C)=

(D)=  
(E)=  
(F)=

| No. | Lev. | Parts No.    | Description          | Q'ty |     |     |     |     |     | I | R |
|-----|------|--------------|----------------------|------|-----|-----|-----|-----|-----|---|---|
|     |      |              |                      | (A)  | (B) | (C) | (D) | (E) | (F) |   |   |
| 1   | 1    | 114250-55122 | FILTER ASSY,FUEL OIL | 1    |     |     |     |     |     |   |   |
| 2   | 2    | 114250-55130 | GASKET               | 1    |     |     |     |     |     |   |   |
| 3   | 1    | 114210-55210 | STAY, FUEL TANK A    | 1    |     |     |     |     |     |   |   |
| 4   | 1    | 114210-55230 | STAY, FUEL TANK B    | 1    |     |     |     |     |     |   |   |
| 5   | 1    | 114240-55300 | COCK ASSY, FUEL      | 1    |     |     |     |     |     |   |   |
| 6   | 2    | 24311-000125 | O-RING, 1AP12.5      | 1    |     |     |     |     |     |   |   |
| 7   | 1    | 11422C-55710 | TANK ASSY, FUEL      | 1    |     |     |     |     |     |   |   |
| 9   | 2    | 114299-55080 | PLUG, DRAIN          | 1    |     |     |     |     |     |   |   |
| 10  | 2    | 23414-080000 | GASKET, 8X1.0        | 1    |     |     |     |     |     |   |   |
| 11  | 2    | 114299-55040 | CAP ASSY, FUEL TANK  | 1    |     |     |     |     |     |   |   |
| 12  | 2    | 114299-55110 | STRAINER, FUEL TANK  | 1    |     |     |     |     |     |   |   |
| 13  | 2    | 114740-55200 | DAMPER, FUEL TANK    | 4    |     |     |     |     |     |   |   |
| 14  | 1    | 114210-55810 | BOLT, LIFTING        | 1    |     |     |     |     |     |   |   |
| 15  | 1    | 22117-080000 | WASHER, 8            | 1    |     |     |     |     |     |   |   |
| 16  | 1    | 26106-060162 | BOLT, M6X 16 PLATED  | 2    |     |     |     |     |     |   |   |
| 17  | 1    | 26106-080452 | BOLT, M8X 45 PLATED  | 1    |     |     |     |     |     |   |   |
| 18  | 1    | 26366-060002 | NUT, M6              | 2    |     |     |     |     |     |   |   |
| 20  | 1    | 114780-59010 | PIPE ASSY, FUEL L50  | 1    |     |     |     |     |     |   |   |
| 21  | 2    | 114780-59060 | PIPE, FUEL L=50      | 1    |     |     |     |     |     |   |   |
| 22  | 2    | 23080-014000 | CLAMP, 14            | 2    |     |     |     |     |     |   |   |
| 23  | 1    | 114239-59301 | PIPE ASSY, FO RETURN | 1    |     |     |     |     |     |   |   |
| 24  | 2    | 124722-59050 | CLAMP, HOSE 9        | 1    |     |     |     |     |     |   |   |
| 25  | 2    | 114650-59061 | PIPE, FO RETURN      | 1    |     |     |     |     |     |   |   |
| 26  | 2    | 124066-59100 | CLAMP, HOSE 8        | 1    |     |     |     |     |     |   |   |
| 27  | 2    | 114652-59310 | TUBE, PROTECT        | 1    |     |     |     |     |     |   |   |
| 28  | 2    | 121750-59890 | BAND, NYLON          | 1    |     |     |     |     |     |   |   |

Fig.18. CONTROL DEVICE

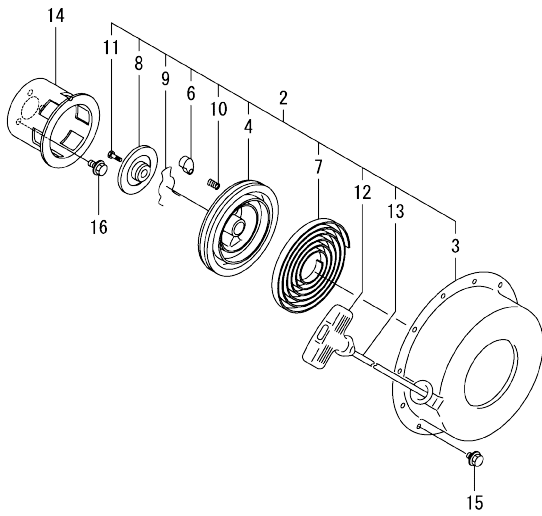


(A)=L70V6FF1Z1AAFV  
(B)=  
(C)=

(D)=  
(E)=  
(F)=

| No. | Lev. | Parts No.    | Description          | Q'ty |     |     |     |     |     | I | R |
|-----|------|--------------|----------------------|------|-----|-----|-----|-----|-----|---|---|
|     |      |              |                      | (A)  | (B) | (C) | (D) | (E) | (F) |   |   |
| 1   | 1    | 114299-66250 | SPRING, RETURN       | 1    |     |     |     |     |     |   |   |
| 2   | 1    | 114299-66920 | LEVER, STOP INNER    | 1    |     |     |     |     |     |   |   |
| 3   | 1    | 714299-66921 | BRACKET ASSY, HANDLE | 1    |     |     |     |     |     |   |   |
| 4   | 2    | 114299-66440 | BOLT, ADJUSTER       | 1    |     |     |     |     |     |   |   |
| 6   | 2    | 114299-66950 | STAY, STOP CABLE     | 1    |     |     |     |     |     |   |   |
| 7   | 2    | 114299-67080 | BOLT, ADJUST         | 2    |     |     |     |     |     |   |   |
| 8   | 2    | 26106-060102 | BOLT, M6X 10 PLATED  | 1    |     |     |     |     |     |   |   |
| 9   | 2    | 26857-060002 | NUT, M6              | 3    |     |     |     |     |     |   |   |
| 10  | 1    | 114299-66932 | LEVER, STOP OUTER    | 1    |     |     |     |     |     |   |   |
| 11  | 1    | 114299-66940 | LEVER ASSY,REGULATOR | 1    |     |     |     |     |     |   |   |
| 14  | 2    | 26117-050089 | BOLT, M5X 8 PLATED   | 1    |     |     |     |     |     |   |   |
| 15  | 1    | 114310-66950 | SPRING, STOPPER      | 1    |     |     |     |     |     |   |   |
| 16  | 1    | 26106-060142 | BOLT, M6X 14 PLATED  | 1    |     |     |     |     |     |   |   |
| 17  | 1    | 26106-060302 | BOLT, M6X 30 PLATED  | 1    |     |     |     |     |     |   |   |
| 18  | 1    | 26757-080002 | NUT, LOCK M8         | 1    |     |     |     |     |     |   |   |
| 20  | 1    | 114295-61810 | WASHER, PLAIN 14     | 1    |     |     |     |     |     |   |   |
| 21  | 1    | 114771-61830 | PLATE                | 1    |     |     |     |     |     |   |   |
| 22  | 1    | 114295-61940 | NUT, PROTECTOR M14   | 1    |     |     |     |     |     |   |   |
| 23  | 1    | 114210-66010 | SPRING, REGULATOR    | 1    |     |     |     |     |     |   |   |
| 24  | 1    | 114299-66201 | SPRING, RETURN       | 1    |     |     |     |     |     |   |   |
| 25  | 1    | 114771-66600 | LIMITER ASSY, FUEL   | 1    |     |     |     |     |     |   |   |
| 26  | 1    | 114295-66690 | NUT, LOCK M14        | 1    |     |     |     |     |     |   |   |
| 28  | 1    | 114780-61090 | TIN                  | 1    |     |     |     |     |     |   |   |
| 30  | 1    | 114295-61980 | PROTECTOR ASSY       | 1    |     |     |     |     |     |   |   |
| 32  | 2    | 24311-000180 | O-RING, 1AP18.0      | 1    |     |     |     |     |     |   |   |
| 33  | 1    | 22451-060000 | WIRE, 0.6            | 1    |     |     |     |     |     |   |   |

Fig.19. RECOIL STARTER

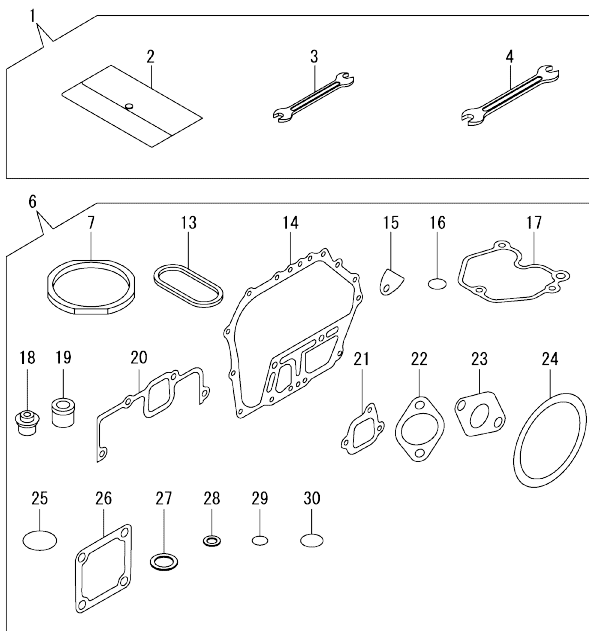


(A)=L70V6FF1Z1AAFV  
(B)=  
(C)=

(D)=  
(E)=  
(F)=

| No. | Lev. | Parts No.    | Description          | Q'ty |     |     |     |     |     | I | R |
|-----|------|--------------|----------------------|------|-----|-----|-----|-----|-----|---|---|
|     |      |              |                      | (A)  | (B) | (C) | (D) | (E) | (F) |   |   |
| 2   | 2    | 114399-76251 | STARTER ASSY, RECOIL | 1    |     |     |     |     |     |   |   |
| 3   | 3    | 114399-76510 | CASE, STARTER        | 1    |     |     |     |     |     |   |   |
| 4   | 3    | 114399-76521 | REEL, RECOIL STARTER | 1    |     |     |     |     |     |   |   |
| 6   | 3    | 114399-76600 | RATCHET              | 1    |     |     |     |     |     |   |   |
| 7   | 3    | 114399-76540 | SPRING, SPIRAL       | 1    |     |     |     |     |     |   |   |
| 8   | 3    | 114399-76550 | COVER, RATCHET       | 1    |     |     |     |     |     |   |   |
| 9   | 3    | 114399-76560 | SPRING               | 1    |     |     |     |     |     |   |   |
| 10  | 3    | 114399-76570 | SPRING, RETURN       | 1    |     |     |     |     |     |   |   |
| 11  | 3    | 114399-76580 | SCREW                | 1    |     |     |     |     |     |   |   |
| 12  | 3    | 114399-76620 | KNOB, STARTER        | 1    |     |     |     |     |     |   |   |
| 13  | 3    | 114399-76630 | ROPE, STARTER        | 1    |     |     |     |     |     |   |   |
| 14  | 2    | 114399-76590 | PULLEY, STARTER      | 1    |     |     |     |     |     |   |   |
| 15  | 1    | 26106-060082 | BOLT, M6X 8 PLATED   | 4    |     |     |     |     |     |   |   |
| 16  | 1    | 26106-060122 | BOLT, M6X 12 PLATED  | 3    |     |     |     |     |     |   |   |

Fig.20. GASKET SET & TOOL



(A)=L70V6FF1Z1AAFV  
(B)=  
(C)=

(D)=  
(E)=  
(F)=

| No. | Lev. | Parts No.    | Description         | Q'ty |     |     |     |     |     | I | R |
|-----|------|--------------|---------------------|------|-----|-----|-----|-----|-----|---|---|
|     |      |              |                     | (A)  | (B) | (C) | (D) | (E) | (F) |   |   |
| 1   | 1    | 114299-92590 | TOOL ASSY           | 1    |     |     |     |     |     |   |   |
| 2   | 2    | 114299-92600 | BAG, TOOL           | 1    |     |     |     |     |     |   |   |
| 3   | 2    | 114299-92710 | WRENCH              | 1    |     |     |     |     |     |   |   |
| 4   | 2    | 114299-92720 | WRENCH              | 1    |     |     |     |     |     |   |   |
| 6   | 1    | 114220-92600 | GASKET SET          | 1    |     |     |     |     |     |   | 1 |
| 7   | 2    | 114395-01331 | GASKET, HEAD        | 1    |     |     |     |     |     |   |   |
| 13  | 2    | 114399-01380 | O-RING, TAPPET      | 1    |     |     |     |     |     |   |   |
| 14  | 2    | 114399-01410 | GASKET, CASE COVER  | 1    |     |     |     |     |     |   |   |
| 15  | 2    | 114250-01841 | GASKET, COVER       | 1    |     |     |     |     |     |   |   |
| 16  | 2    | 114299-01950 | O-RING, 18          | 2    |     |     |     |     |     |   |   |
| 17  | 2    | 114210-11310 | GASKET, BONNET      | 1    |     |     |     |     |     |   |   |
| 18  | 2    | 114350-11341 | SEAL, VALVE STEM    | 2    |     |     |     |     |     |   |   |
| 19  | 2    | 114771-11461 | GASKET, NOZZLE      | 1    |     |     |     |     |     |   |   |
| 20  | 2    | 114210-12210 | GASKET, AIR CLEANER | 1    |     |     |     |     |     |   |   |
| 21  | 2    | 114299-12210 | GASKET, AIR CLEANER | 2    |     |     |     |     |     |   |   |
| 22  | 2    | 114299-12920 | GASKET, AIR CLEANER | 1    |     |     |     |     |     |   |   |
| 23  | 2    | 114299-13200 | GASKET, MUFFLER     | 1    |     |     |     |     |     |   |   |
| 24  | 2    | 114399-21980 | GASKET              | 1    |     |     |     |     |     |   |   |
| 25  | 2    | 114299-32570 | O-RING, PUMP COVER  | 1    |     |     |     |     |     |   |   |
| 26  | 2    | 129100-77510 | GASKET, AIR HEATER  | 3    |     |     |     |     |     |   |   |
| 27  | 2    | 22190-160002 | WASHER, SEAL 16     | 2    |     |     |     |     |     |   |   |
| 28  | 2    | 23414-080000 | GASKET, 8X1.0       | 1    |     |     |     |     |     |   |   |
| 29  | 2    | 24341-000150 | O-RING, 1AS15.0     | 1    |     |     |     |     |     |   |   |
| 30  | 2    | 24341-000224 | O-RING, 1AS22.4     | 1    |     |     |     |     |     |   |   |

Remarks

(1)Optional parts.

## Parts No. Index

| Parts No.    | Fig. No. | Ref. No. |
|--------------|----------|----------|
| 105010-11490 | 4        | 27       |
| 114210-01200 | 4        | 1        |
| 114210-01210 | 4        | 2        |
| 114210-03590 | 4        | 39       |
| 114210-11120 | 4        | 10       |
| 114210-11180 | 4        | 11       |
| 114210-11310 | 4        | 36       |
|              | 20       | 17       |
| 114210-11901 | 4        | 30       |
| 114210-11930 | 4        | 12       |
| 114210-11950 | 4        | 37       |
| 114210-12010 | 5        | 4        |
| 114210-12210 | 5        | 1        |
|              | 20       | 20       |
| 114210-12500 | 5        | 8        |
| 114210-12511 | 5        | 3        |
| 114210-12560 | 5        | 12       |
| 114210-12590 | 5        | 13       |
| 114210-12600 | 5        | 16       |
| 114210-12610 | 5        | 11       |
| 114210-14200 | 7        | 1        |
| 114210-14300 | 7        | 2        |
| 114210-14580 | 7        | 8        |
| 114210-21760 | 8        | 1        |
| 114210-28050 | 11       | 6        |
| 114210-45150 | 15       | 1        |
| 114210-45260 | 14       | 8        |
| 114210-45270 | 14       | 9        |
| 114210-45310 | 14       | 5        |
| 114210-45320 | 14       | 4        |
| 114210-45350 | 14       | 12       |
| 114210-45360 | 14       | 13       |
| 114210-55210 | 17       | 3        |
| 114210-55230 | 17       | 4        |
| 114210-55810 | 17       | 14       |
| 114210-59800 | 16       | 70       |
| 114210-59850 | 16       | 76       |
| 114210-61290 | 12       | 41       |
| 114210-61500 | 12       | 18       |
| 114210-66010 | 18       | 23       |
| 114211-01450 | 1        | 35       |
| 114211-11020 | 4        | 3        |
| 11421C-11100 | 4        | 8        |
| 11421C-11110 | 4        | 9        |
| 11421C-11250 | 4        | 14       |
| 11421C-11260 | 4        | 15       |
| 11421C-11650 | 4        | 16       |
| 11421C-11660 | 4        | 20       |
| 11421C-13510 | 6        | 2        |
| 114220-07100 | 3        | 4        |

| Parts No.    | Fig. No. | Ref. No. |
|--------------|----------|----------|
| 114220-07110 | 3        | 6        |
| 114220-07120 | 14       | 2        |
| 114220-07130 | 3        | 13       |
| 114220-14400 | 7        | 7        |
| 114220-22140 | 10       | 13       |
| 114220-22150 | 10       | 21       |
| 114220-45210 | 14       | 1        |
| 114220-92600 | 20       | 6        |
| 11422C-23700 | 10       | 28       |
| 11422C-55710 | 17       | 7        |
| 114239-59301 | 17       | 23       |
| 114240-11450 | 4        | 26       |
| 114240-11550 | 4        | 28       |
| 114240-22040 | 10       | 11       |
| 114240-22050 | 10       | 19       |
| 114240-55300 | 17       | 5        |
| 114249-53000 | 16       | 29       |
| 114250-01841 | 1        | 27       |
|              | 20       | 15       |
| 114250-11240 | 4        | 18       |
|              |          | 22       |
| 114250-32010 | 12       | 1        |
| 114250-53080 | 16       | 32       |
| 114250-53120 | 16       | 38       |
| 114250-53130 | 16       | 39       |
| 114250-53140 | 16       | 40       |
| 114250-53210 | 16       | 41       |
| 114250-55122 | 17       | 1        |
| 114250-55130 | 17       | 2        |
| 114295-61810 | 18       | 20       |
| 114295-61940 | 18       | 22       |
| 114295-61980 | 18       | 30       |
| 114295-66690 | 18       | 26       |
| 114299-01600 | 1        | 12       |
| 114299-01690 | 2        | 1        |
| 114299-01800 | 1        | 13       |
| 114299-01830 | 1        | 26       |
| 114299-01950 | 2        | 4        |
|              | 20       | 16       |
| 114299-02030 | 1        | 45       |
| 114299-03640 | 4        | 42       |
| 114299-07101 | 3        | 5        |
| 114299-07111 | 3        | 7        |
| 114299-07160 | 3        | 8        |
| 114299-11600 | 4        | 29       |
| 114299-12210 | 20       | 21       |
| 114299-12300 | 5        | 2        |
| 114299-12920 | 20       | 22       |
| 114299-13200 | 6        | 1        |
|              | 20       | 23       |

| Parts No.    | Fig. No. | Ref. No. |
|--------------|----------|----------|
| 114299-13800 | 6        | 13       |
| 114299-21220 | 9        | 1        |
| 114299-21550 | 9        | 2        |
| 114299-32070 | 12       | 7        |
| 114299-32570 | 12       | 8        |
|              | 20       | 25       |
| 114299-35110 | 12       | 12       |
| 114299-35150 | 1        | 40       |
| 114299-45220 | 14       | 3        |
|              |          | 7        |
| 114299-45301 | 15       | 3        |
| 114299-45310 | 15       | 4        |
| 114299-45331 | 15       | 5        |
| 114299-45350 | 15       | 6        |
| 114299-55040 | 17       | 11       |
| 114299-55080 | 17       | 9        |
| 114299-55110 | 17       | 12       |
| 114299-61190 | 12       | 17       |
| 114299-61600 | 12       | 38       |
| 114299-66201 | 18       | 24       |
| 114299-66250 | 18       | 1        |
| 114299-66440 | 18       | 4        |
| 114299-66920 | 18       | 2        |
| 114299-66932 | 18       | 10       |
| 114299-66940 | 18       | 11       |
| 114299-66950 | 18       | 6        |
| 114299-67080 | 18       | 7        |
| 114299-92590 | 20       | 1        |
| 114299-92600 | 20       | 2        |
| 114299-92710 | 20       | 3        |
| 114299-92720 | 20       | 4        |
| 1142A0-01010 | 1        | 1        |
| 114310-66950 | 18       | 15       |
| 114339-53100 | 16       | 33       |
| 114350-02113 | 1        | 46       |
| 114350-11341 | 4        | 25       |
|              | 20       | 18       |
| 114395-01331 | 1        | 5        |
|              | 20       | 7        |
| 114399-01380 | 1        | 11       |
|              | 20       | 13       |
| 114399-01410 | 1        | 34       |
|              | 20       | 14       |
| 114399-01700 | 2        | 8        |
| 114399-21590 | 9        | 3        |
| 114399-21600 | 9        | 6        |
| 114399-21980 | 20       | 24       |
| 114399-22300 | 10       | 9        |
| 114399-45320 | 14       | 10       |
| 114399-45340 | 14       | 6        |

| Parts No.    | Fig. No. | Ref. No. |
|--------------|----------|----------|
| 114399-45340 | 14       | 11       |
| 114399-76251 | 19       | 2        |
| 114399-76510 | 19       | 3        |
| 114399-76521 | 19       | 4        |
| 114399-76540 | 19       | 7        |
| 114399-76550 | 19       | 8        |
| 114399-76560 | 19       | 9        |
| 114399-76570 | 19       | 10       |
| 114399-76580 | 19       | 11       |
| 114399-76590 | 19       | 14       |
| 114399-76600 | 19       | 6        |
| 114399-76620 | 19       | 12       |
| 114399-76630 | 19       | 13       |
| 114650-59061 | 17       | 25       |
| 114652-59310 | 17       | 27       |
| 114699-01760 | 2        | 2        |
| 114740-55200 | 17       | 13       |
| 114770-61520 | 12       | 37       |
| 114770-61610 | 12       | 39       |
| 114771-11461 | 20       | 19       |
| 114771-61830 | 18       | 21       |
| 114771-66600 | 18       | 25       |
| 114780-59010 | 17       | 20       |
| 114780-59060 | 17       | 21       |
| 114780-61090 | 18       | 28       |
| 114840-02110 | 1        | 38       |
| 114840-02200 | 1        | 42       |
| 114840-02210 | 1        | 43       |
| 114840-23300 | 10       | 33       |
| 114840-23610 | 10       | 35       |
| 114840-23620 | 10       | 37       |
| 114840-23910 | 10       | 39       |
| 114940-01870 | 2        | 5        |
| 118200-23200 | 10       | 32       |
| 119803-53400 | 16       | 42       |
| 121750-59890 | 17       | 28       |
| 124066-59100 | 17       | 26       |
| 124722-59050 | 17       | 24       |
| 129100-77510 | 20       | 26       |
| 160110-02220 | 1        | 47       |
|              |          | 48       |
| 22117-080000 | 17       | 15       |
| 22190-160002 | 2        | 6        |
|              | 20       | 27       |
| 22242-000120 | 4        | 24       |
| 22252-000210 | 10       | 10       |
| 22312-030160 | 4        | 45       |
|              | 12       | 9        |
| 22312-040080 | 1        | 28       |
| 22322-030200 | 12       | 30       |



## Parts No. Index

| Parts No.    | Fig. No. | Ref. No. |
|--------------|----------|----------|
| 22322-030200 | 12       | 35       |
| 22351-025005 | 16       | 37       |
| 22351-040008 | 4        | 31       |
| 22451-060000 | 18       | 33       |
| 22512-040120 | 9        | 7        |
| 23080-014000 | 17       | 22       |
| 23414-080000 | 17       | 10       |
|              | 20       | 28       |
| 23875-020000 | 1        | 29       |
| 23876-010000 | 13       | 1        |
| 24162-152116 | 1        | 49       |
| 24311-000125 | 17       | 6        |
| 24311-000180 | 18       | 32       |
| 24341-000150 | 20       | 29       |
| 24341-000224 | 12       | 14       |
|              | 20       | 30       |
| 26106-060082 | 14       | 14       |
|              | 19       | 15       |
| 26106-060102 | 18       | 8        |
| 26106-060122 | 12       | 10       |
|              | 19       | 16       |
| 26106-060142 | 18       | 16       |
| 26106-060162 | 12       | 15       |
|              | 17       | 16       |
| 26106-060202 | 5        | 18       |
|              | 14       | 15       |
| 26106-060302 | 18       | 17       |
| 26106-060402 | 4        | 32       |
| 26106-060552 | 4        | 48       |
| 26106-080122 | 1        | 50       |
| 26106-080162 | 6        | 8        |
| 26106-080352 | 1        | 41       |
| 26106-080452 | 17       | 17       |
| 26106-100122 | 2        | 9        |
| 26117-050089 | 18       | 14       |
| 26216-080182 | 6        | 10       |
| 26226-060182 | 1        | 30       |
| 26226-060222 | 1        | 31       |
| 26226-060302 | 5        | 19       |
| 26226-060552 | 4        | 33       |
| 26306-080002 | 6        | 11       |
| 26366-060002 | 1        | 32       |
|              | 4        | 34       |
|              | 14       | 16       |
|              | 17       | 18       |
| 26757-080002 | 18       | 18       |
| 26856-060002 | 4        | 19       |
|              |          | 23       |
| 26857-060002 | 18       | 9        |
| 714210-22721 | 10       | 1        |

| Parts No.    | Fig. No. | Ref. No. |
|--------------|----------|----------|
| 714210-28510 | 11       | 1        |
| 714210-61701 | 12       | 40       |
| 714249-51400 | 16       | 1        |
| 714249-53100 | 16       | 28       |
| 714299-66921 | 18       | 3        |
| 714870-22502 | 10       | 3        |

| Parts No. | Fig. No. | Ref. No. |
|-----------|----------|----------|
|-----------|----------|----------|

| Parts No. | Fig. No. | Ref. No. |
|-----------|----------|----------|
|-----------|----------|----------|