

0CC50-M02520EN

P R E F A C E

This parts catalog is the 1st edition of L70V6FF1L1AA for FIAC.

Published : January, 2020

Contents

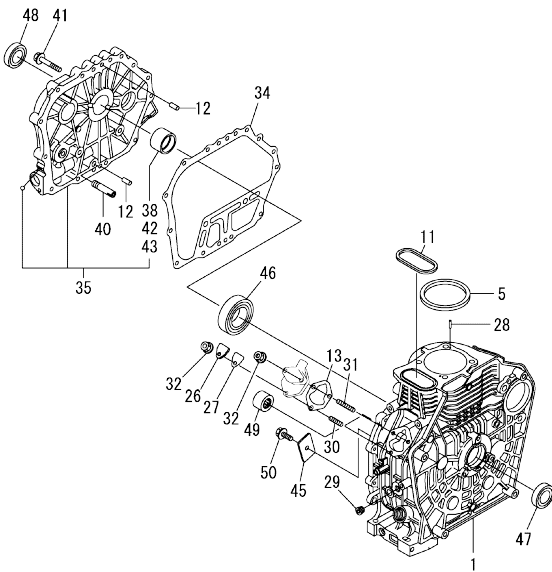
0CC50-M02520

Fig. No.	Fig. Name	Fig. No.	Fig. Name
ENGINE			
1.	CYLINDER BLOCK		
2.	DRAIN PLUG		
3.	LABEL		
4.	CYLINDER HEAD & BONNET		
5.	AIR CLEANER		
6.	EXHAUST MUFFLER		
7.	CAMSHAFT		
8.	CRANKSHAFT		
9.	FLYWHEEL		
10.	PISTON & CONNECTING ROD		
11.	BALANCER SHAFT		
12.	LUB. OIL PUMP & GOVERNOR		
13.	SWITCH CAP(OIL PRESSURE)		
14.	COVER		
15.	COOLING FAN CASE		
16.	FUEL INJECTION PUMP & FUEL INJECTION VALVE		
17.	FUEL TANK & FUEL PIPE		
18.	CONTROL DEVICE		
19.	RECOIL STARTER		
20.	GASKET SET & TOOL		

Fig.1. CYLINDER BLOCK

(A)=L70V6FF1L1AA
(B)=
(C)=

(D)=
(E)=
(F)=



No.	Lev.	Parts No.	Description	Q'ty						I	R
				(A)	(B)	(C)	(D)	(E)	(F)		
1	1	114210-01010	BLOCK ASSY, CYLINDER	1							
5	1	114395-01331	GASKET, HEAD	1							
11	1	114399-01380	O-RING, TAPPET	1							
12	1	114299-01600	PIN, PARALLEL 8X12	2							
13	1	114299-01800	SHIM SET, PUMP	1							
26	1	114299-01830	COVER, PUMP	1							
27	1	114250-01841	GASKET, COVER	1							
28	1	22312-040080	PIN, PARALLEL M4X 8	2							
29	1	23875-020000	PLUG, R02	1							
30	1	26226-060182	STUD, M6X 18	1							
31	1	26226-060222	STUD, M6X 22	2							
32	1	26366-060002	NUT, M6	3							
34	1	114399-01410	GASKET, CASE COVER	1							
35	1	114211-01450	COVER, CRANK CASE	1							
38	2	114840-02110	BEARING, MAIN	1							1
40	1	114299-35150	PIPE, OIL INLET	1							
41	1	26106-080352	BOLT, M8X 35 PLATED	15							
42	1	114840-02200	BEARING, MAIN 0.25OS	1							2
43	1	114840-02210	BEARING, MAIN 0.50OS	1							3
45	1	114299-02030	RETAINER, BEARING	1							
46	1	114350-02113	BEARING, B35-135G3C3	1							
47	1	160110-02220	SEAL, OIL 30X45X8	1							
48	1	160110-02220	SEAL, OIL 30X45X8	1							
49	1	24162-152116	BEARING, 152116	1							
50	1	26106-080122	BOLT, M8X 12 PLATED	1							

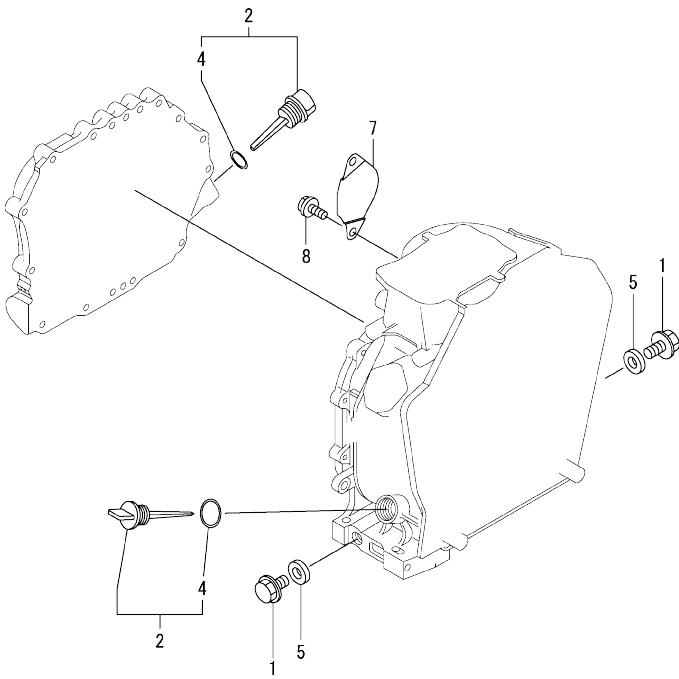
Remarks
(1)Spare parts.
(2)Over-sized(O.S.=0.25) parts.
(3)Over-sized(O.S.=0.50) parts.

OCC50-M02520 ENGINE
 Fig.2. DRAIN PLUG

OCC50-M02520 Fig.2

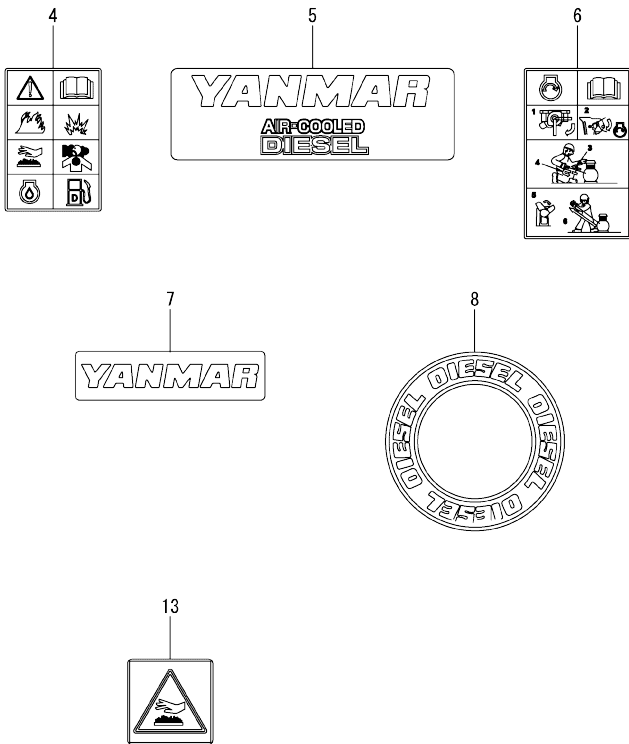
(A)=L70V6FF1L1AA
 (B)=
 (C)=

(D)=
 (E)=
 (F)=



No.	Lev.	Parts No.	Description	Q'ty					
				(A)	(B)	(C)	(D)	(E)	(F)
1	1	114299-01690	PLUG, DRAIN 16	2					
2	1	114699-01760	CAP ASSY, OIL SUPPLY	2					
4	2	114299-01950	O-RING, 18	2					
5	1	22190-160002	WASHER, SEAL 16	2					
7	1	114399-01700	COVER, STARTER	1					
8	1	26106-100122	BOLT, M10X 12 PLATED	2					

Fig.3. LABEL

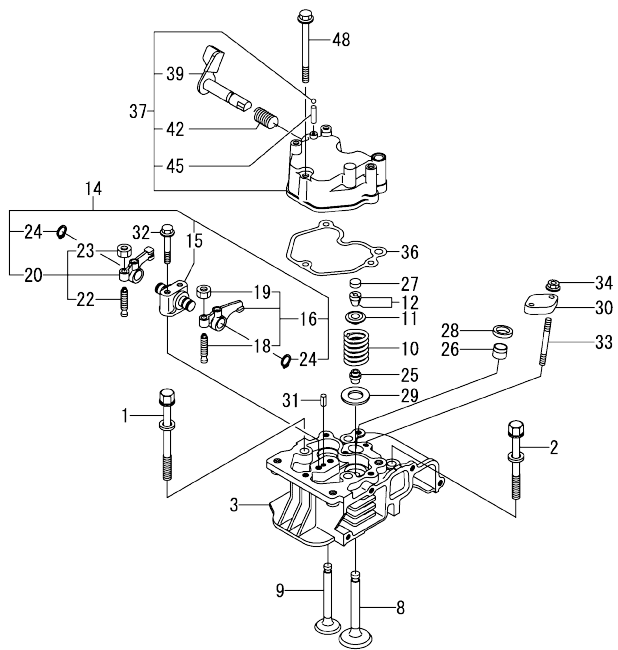


(A)=L70V6FF1L1AA
(B)=
(C)=

(D)=
(E)=
(F)=

No.	Lev.	Parts No.	Description	Q'ty					
				(A)	(B)	(C)	(D)	(E)	(F)
4	1	114220-07100	LABEL, CAUTION	1					
5	1	114299-07101	LABEL, YANMAR MARK A	1					
6	1	114220-07110	LABEL, HOW TO START	1					
7	1	114299-07111	LABEL, YANMAR MARK B	1					
8	1	114299-07160	LABEL, DIESEL	1					
13	1	114220-07130	LABEL, HOT SURFACE	1					

Fig.4. CYLINDER HEAD & BONNET

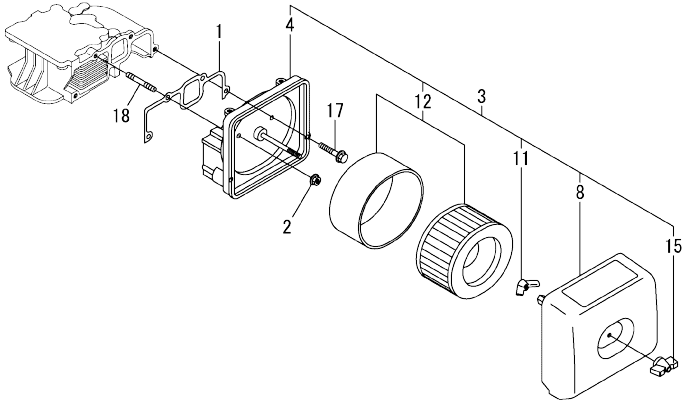


(A)=L70V6FF1L1AA
(B)=
(C)=

(D)=
(E)=
(F)=

No.	Lev.	Parts No.	Description	Q'ty						I	R	
				(A)	(B)	(C)	(D)	(E)	(F)			
1	1	114210-01200	BOLT, HEAD A									
2	1	114210-01210	BOLT, HEAD B									
3	1	114211-11020	HEAD, CYLINDER									
8	1	11421C-11100	VALVE, INTAKE									
9	1	11421C-11110	VALVE, EXHAUST									
10	1	114210-11120	SPRING, VALVE									
11	1	114210-11180	RETAINER, SPRING									
12	1	114210-11930	COTTER ASSY									
14	1	11421C-11250	SUPPORT ASSY, ARM									
15	2	11421C-11260	SUPPORT, ROCKER ARM									
16	2	11421C-11650	ARM ASSY, ROCKER									
18	3	114250-11240	SCREW, VALVE ADJUST									
19	3	26856-060002	NUT, M6									
20	2	11421C-11660	ARM ASSY, ROCKER EXH									
22	3	114250-11240	SCREW, VALVE ADJUST									
23	3	26856-060002	NUT, M6									
24	2	22242-000120	RING, 12									
25	1	114350-11341	SEAL, VALVE STEM									
26	1	114240-11450	PROTECTOR, NOZZLE									
27	1	105010-11490	CAP, VALVE									
28	1	114240-11550	SEAT, NOZZLE									
29	1	114299-11600	WASHER, VALVE SPRING									
30	1	114210-11901	RETAINER, VALVE									
31	1	22351-040008	PIN, SPRING 4.0X 8									
32	1	26106-060402	BOLT, M6X 40 PLATED									
33	1	26226-060552	STUD, M6X 55									
34	1	26366-060002	NUT, M6									
36	1	114210-11310	GASKET, BONNET									
37	1	114210-11950	BONNET ASSY, HEAD									
39	2	114210-03590	DECOMPRESSION ASSY									
42	2	114299-03640	SPRING, DECOMPRESSION									
45	2	22312-030160	PIN, PARALLEL M3X16									
48	1	26106-060552	BOLT, M6X 55 PLATED									

Fig.5. AIR CLEANER

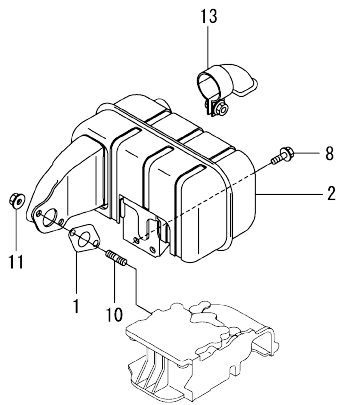


(A)=L70V6FF1L1AA
(B)=
(C)=

(D)=
(E)=
(F)=

No.	Lev.	Parts No.	Description	Q'ty						I	R
				(A)	(B)	(C)	(D)	(E)	(F)		
1	1	114210-12210	GASKET, AIR CLEANER	1							
2	1	114299-12300	NUT	3							
3	1	114220-12550	CLEANER ASSY, AIR	1							
4	2	114210-12010	BODY ASSY, CLEANER	1							
8	2	114220-12500	COVER ASSY, CLEANER	1							
11	2	114210-12560	NUT, WING	1							
12	2	114210-12590	ELEMENT ASSY	1							
15	2	114210-12600	KNOB	1							
17	1	26106-060202	BOLT, M6X 20 PLATED	1							
18	1	26226-060302	STUD, M6X 30	3							

Fig.6. EXHAUST MUFFLER



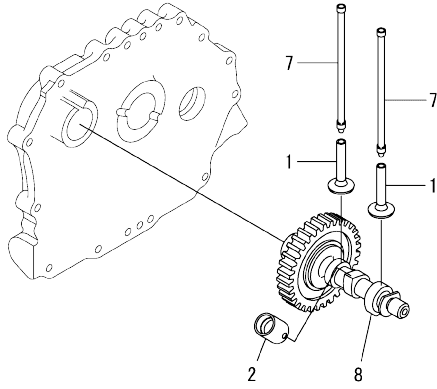
(A)=L70V6FF1L1AA
(B)=
(C)=

(D)=
(E)=
(F)=

No.	Lev.	Parts No.	Description	Q'ty						I	R
				(A)	(B)	(C)	(D)	(E)	(F)		
1	1	114299-13200	GASKET, MUFFLER	1							
2	1	11421C-13500	MUFFLER ASSY	1							
8	1	26106-060142	BOLT, M6X 14 PLATED	2							
10	1	26216-080182	STUD, M8X 18	2							
11	1	26306-080002	NUT, M8	2							
13	1	114299-13800	EXTENSION ASSY	1							

OCC50-M02520 ENGINE
 Fig.7. CAMSHAFT

OCC50-M02520 Fig.7



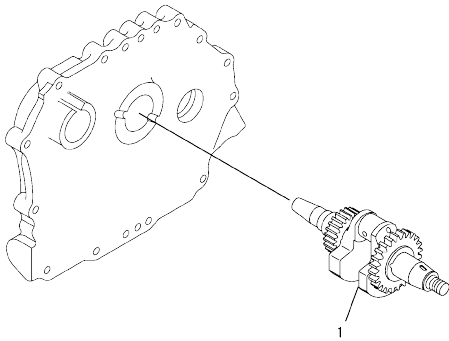
(A)=L70V6FF1L1AA
 (B)=
 (C)=

(D)=
 (E)=
 (F)=

No.	Lev.	Parts No.	Description	Q'ty					
				(A)	(B)	(C)	(D)	(E)	(F)
1	1	114210-14200	TAPPET	2					
2	1	114210-14300	TAPPET ASSY, ROLLER	1					
7	1	114210-14400	ROD ASSY, PUSH	2					
8	1	114210-14580	CAMSHAFT ASSY	1					

OCC50-M02520 ENGINE

Fig.8. CRANKSHAFT



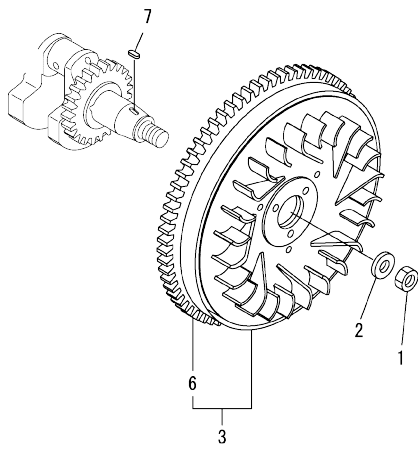
OCC50-M02520 Fig.8

(A)=L70V6FF1L1AA
(B)=
(C)=

(D)=
(E)=
(F)=

No.	Lev.	Parts No.	Description	Q'ty						I	R
				(A)	(B)	(C)	(D)	(E)	(F)		
1	1	114210-21760	CRANKSHAFT ASSY,E-DI	1							

OCC50-M02520 ENGINE
 Fig.9. FLYWHEEL



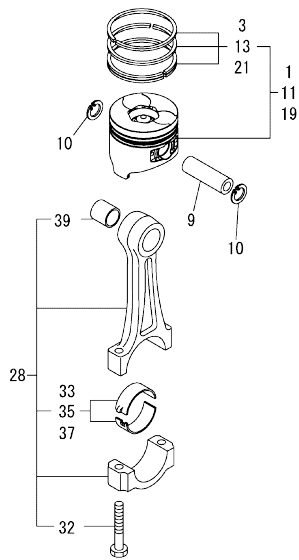
OCC50-M02520 Fig.9

(A)=L70V6FF1L1AA
 (B)=
 (C)=

(D)=
 (E)=
 (F)=

No.	Lev.	Parts No.	Description	Q'ty						I	R
				(A)	(B)	(C)	(D)	(E)	(F)		
1	1	114299-21220	NUT, WHEEL	1							
2	1	114299-21550	WASHER, FLYWHEEL	1							
3	1	114399-21590	FLYWHEEL ASSY, DE	1							
6	2	114399-21600	GEAR, RING	1							
7	1	22512-040120	KEY, 4X 12	1							

Fig.10. PISTON & CONNECTING ROD



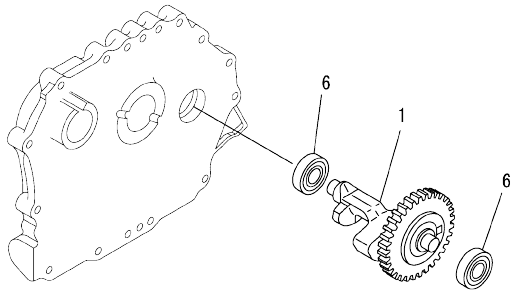
(A)=L70V6FF1L1AA
(B)=
(C)=

(D)=
(E)=
(F)=

No.	Lev.	Parts No.	Description	Q'ty						I	R
				(A)	(B)	(C)	(D)	(E)	(F)		
1	1	714210-22721	PISTON ASSY, D	1							
3	2	714870-22502	RING SET, PISTON	1							
9	1	114399-22300	PIN, PISTON D=21	1							
10	1	22252-000210	RING, 21	2							
11	1	114240-22040	PISTON ASSY, 0.25 OS	1							1
13	2	114220-22140	RING SET, PISTON .25	1							1
19	1	114240-22050	PISTON ASSY, 0.50 OS	1							2
21	2	114220-22150	RING SET, PISTON .50	1							2
28	1	11422C-23700	ROD ASSY, CONNECTING	1							
32	3	118200-23200	BOLT, CONNECTING ROD	2							
33	2	114840-23600	METAL, CRANK PIN	1							
35	1	114840-23610	METAL, CRANK PIN 0.25	1							1
37	1	114840-23620	METAL, CRANK PIN 0.50	1							2
39	1	114840-23910	BUSH, PISTON PINN	1							3

Remarks
(1)Over-sized(O.S.=0.25) parts.
(2)Over-sized(O.S.=0.50) parts.
(3)Spare parts.

Fig.11. BALANCER SHAFT

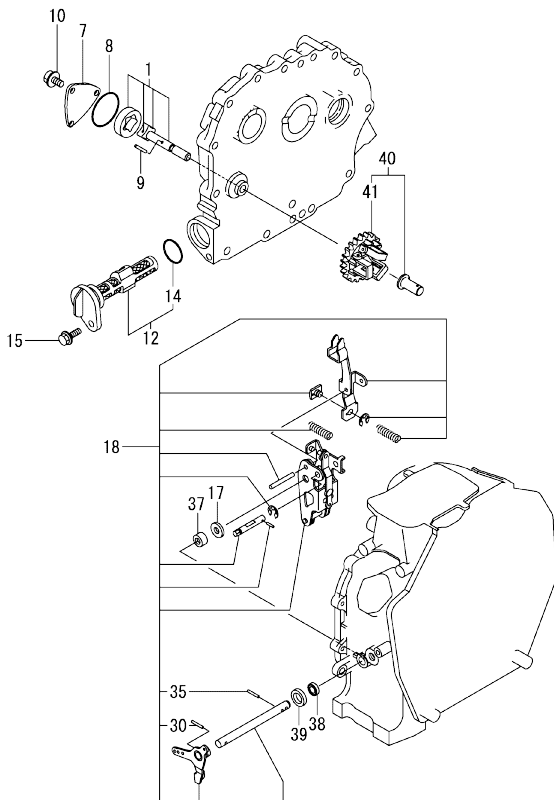


(A)=L70V6FF1L1AA
(B)=
(C)=

(D)=
(E)=
(F)=

No.	Lev.	Parts No.	Description	Qty					
				(A)	(B)	(C)	(D)	(E)	(F)
1	1	714210-28510	SHAFT ASSY, BALANCER	1					
6	1	114210-28050	BEARING, 6203	2					

Fig.12. LUB. OIL PUMP & GOVERNOR



(A)=L70V6FF1L1AA
(B)=
(C)=

(D)=
(E)=
(F)=

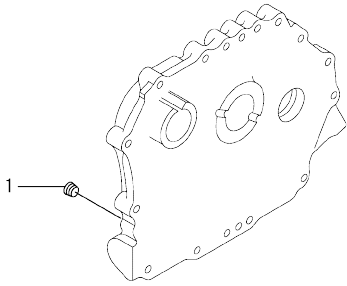
No.	Lev.	Parts No.	Description	Q'ty						I	R
				(A)	(B)	(C)	(D)	(E)	(F)		
1	1	114250-32010	PUMP ASSY, OIL	1							
7	1	114299-32070	COVER, OIL PUMP	1							
8	1	114299-32570	O-RING, PUMP COVER	1							
9	1	22312-030160	PIN, PARALLEL M3X16	1							
10	1	26106-060122	BOLT, M6X 12 PLATED	3							
12	1	114299-35110	FILTER ASSY, OIL	1							
14	2	24341-000224	O-RING, 1AS22.4	1							
15	1	26106-060162	BOLT, M6X 16 PLATED	1							
17	1	114299-61190	WASHER, GOVERNOR	1							
18	1	114210-61500	LEVER ASSY, GOVERNOR	1							1
30	3	22322-030200	PIN, TAPER 3X20	1							
35	2	22322-030200	PIN, TAPER 3X20	1							
37	1	114770-61520	BEARING, NEEDLE	2							
38	1	114299-61600	SEAL, OIL	1							
39	1	114770-61610	WASHER, THRUST	1							
40	1	714210-61701	GOVERNOR ASSY	1							
41	2	114210-61290	WEIGHT ASSY, GOVERNOR	1							

Remarks

(1) On a guarantee of quality, component parts shall not be sold.

OCC50-M02520 ENGINE

Fig.13. SWITCH CAP(OIL PRESSURE)



OCC50-M02520 Fig.13

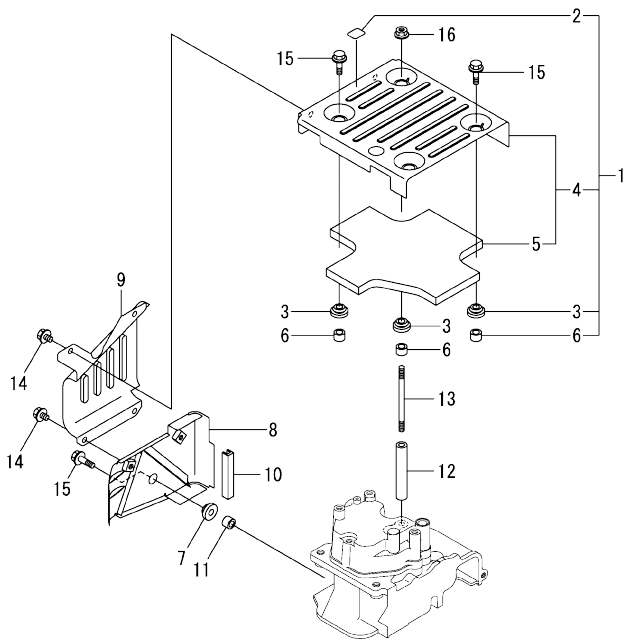
(A)=L70V6FF1L1AA
(B)=
(C)=

(D)=
(E)=
(F)=

No.	Lev.	Parts No.	Description	Q'ty						I	R
				(A)	(B)	(C)	(D)	(E)	(F)		
1	1	23876-010000	PLUG, R01	1							

OCC50-M02520 ENGINE
 Fig.14. COVER

OCC50-M02520 Fig.14

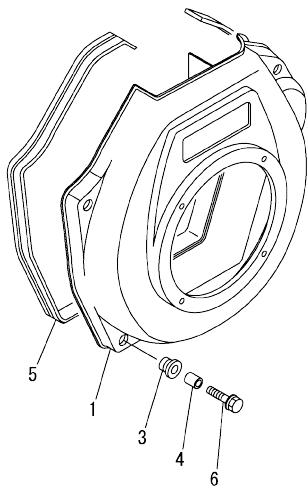


(A)=L70V6FF1L1AA
 (B)=
 (C)=

(D)=
 (E)=
 (F)=

No.	Lev.	Parts No.	Description	Q'ty						I	R
				(A)	(B)	(C)	(D)	(E)	(F)		
1	1	114220-45210	COVER ASSY, TOP	1							
2	2	114220-07120	LABEL, DECOMPRESSION	1							
3	2	114299-45220	GROMMET, TANK	4							
4	2	114210-45320	COVER, TOP	1							
5	3	114210-45310	ACOUSTIC ABSORBENT	1							
6	2	114399-45340	COLLAR	4							
7	1	114299-45220	GROMMET, TANK	1							
8	1	114210-45260	COVER, SIDE B	1							
9	1	114210-45270	COVER, SIDE A	1							
10	1	114399-45320	RUBBER, SEAL	1							
11	1	114399-45340	COLLAR	1							
12	1	114210-45350	SPACER, TOP COVER	1							
13	1	114210-45360	STUD, M6X87	1							
14	1	26106-060082	BOLT, M6X 8 PLATED	4							
15	1	26106-060202	BOLT, M6X 20 PLATED	4							
16	1	26366-060002	NUT, M6	1							

Fig.15. COOLING FAN CASE

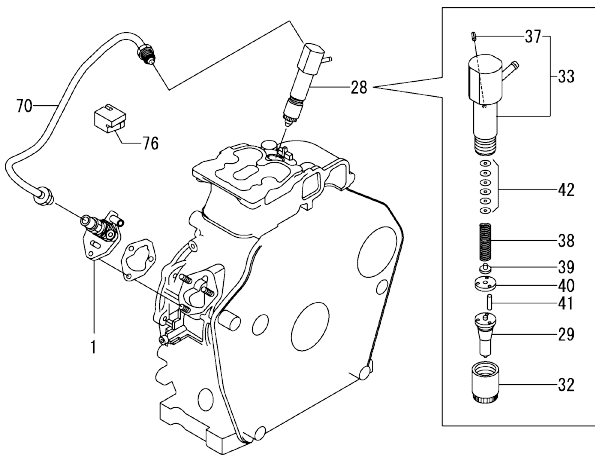


(A)=L70V6FF1L1AA
(B)=
(C)=

(D)=
(E)=
(F)=

No.	Lev.	Parts No.	Description	Q'ty						I	R
				(A)	(B)	(C)	(D)	(E)	(F)		
1	1	114210-45150	CASE, COOLING FAN	1							
3	1	114299-45301	RUBBER, FAN CASE	4							
4	1	114299-45310	COLLAR, FAN CASE	4							
5	1	114299-45331	SEAL, FAN CASE	1							
6	1	114299-45350	BOLT, FAN CASE	4							

Fig.16. FUEL INJECTION PUMP & FUEL INJECTION VALVE



(A)=L70V6FF1L1AA
(B)=
(C)=

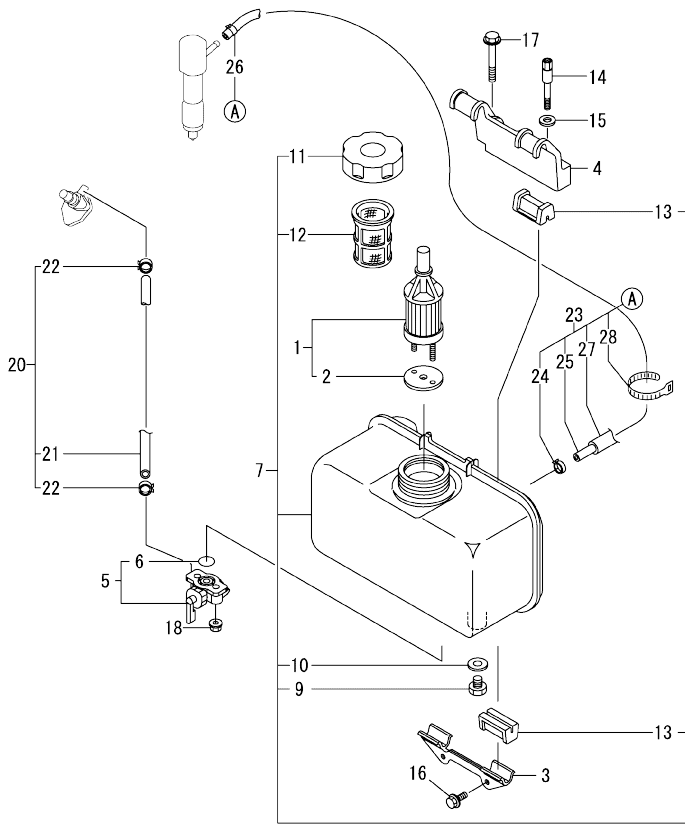
(D)=
(E)=
(F)=

No.	Lev.	Parts No.	Description	Q'ty						I	R
				(A)	(B)	(C)	(D)	(E)	(F)		
1	1	714249-51400	PUMP ASSY, INJECTION	1							1
28	1	714249-53100	VALVE ASSY, INJECTION	1							
29	2	114249-53000	VALVE ASSY, INJECTION	1							
32	2	114250-53080	NUT, NOZZLE	1							
33	2	114339-53100	HOLDER ASSY, NOZZLE	1							
37	3	22351-025005	PIN, SPRING 2.5X 6	1							
38	2	114250-53120	SPRING, NOZZLE	1							
39	2	114250-53130	SEAT, SPRING	1							
40	2	114250-53140	SPACER, VALVE STOP	1							
41	2	114250-53210	PIN, POSITIONING	2							
42	2	119803-53400	SHIM SET	1							
70	1	114210-59800	PIPE ASSY, INJECTION	1							
76	1	114210-59850	SUPPORT, PIPE	1							

Remarks

(1) On a guarantee of quality, component parts shall not be sold.

Fig.17. FUEL TANK & FUEL PIPE



(A)=L70V6FF1L1AA
(B)=
(C)=

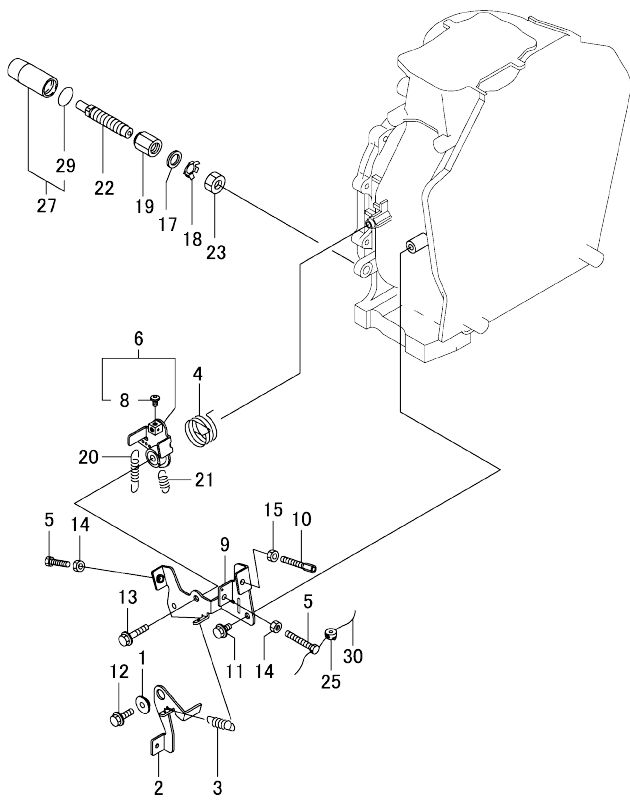
(D)=
(E)=
(F)=

No.	Lev.	Parts No.	Description	Q'ty						I	R
				(A)	(B)	(C)	(D)	(E)	(F)		
1	1	114250-55122	FILTER ASSY,FUEL OIL	1							
2	2	114250-55130	GASKET	1							
3	1	114210-55210	STAY, FUEL TANK A	1							
4	1	114210-55230	STAY, FUEL TANK B	1							
5	1	114240-55300	COCK ASSY, FUEL	1							
6	2	24311-000125	O-RING, 1AP12.5	1							
7	1	11422C-55710	TANK ASSY, FUEL	1							
9	2	114299-55080	PLUG, DRAIN	1							
10	2	23414-080000	GASKET, 8X1.0	1							
11	2	114299-55040	CAP ASSY, FUEL TANK	1							
12	2	114299-55110	STRAINER, FUEL TANK	1							
13	2	114740-55200	DAMPER, FUEL TANK	4							
14	1	114210-55810	BOLT, LIFTING	1							
15	1	22117-080000	WASHER, 8	1							
16	1	26106-060162	BOLT, M6X 16 PLATED	2							
17	1	26106-080452	BOLT, M8X 45 PLATED	1							
18	1	26366-060002	NUT, M6	2							
20	1	114780-59010	PIPE ASSY, FUEL L50	1							
21	2	114780-59060	PIPE, FUEL L=50	1							
22	2	23080-014000	CLAMP, 14	2							
23	1	114239-59301	PIPE ASSY, FO RETURN	1							
24	2	124722-59050	CLAMP, HOSE 9	1							
25	2	114650-59061	PIPE, FO RETURN	1							
26	2	124066-59100	CLAMP, HOSE 8	1							
27	2	114652-59310	TUBE, PROTECT	1							
28	2	121750-59890	BAND, NYLON	1							

Fig.18. CONTROL DEVICE

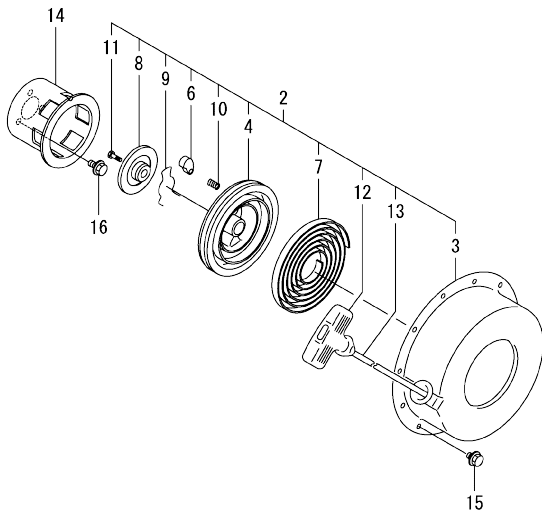
(A)=L70V6FF1L1AA
(B)=
(C)=

(D)=
(E)=
(F)=



No.	Lev.	Parts No.	Description	Q'ty						I	R
				(A)	(B)	(C)	(D)	(E)	(F)		
1	1	114654-66140	PIECE, REGULATOR	1							
2	1	114650-66150	LEVER, STOP	1							
3	1	114268-66200	SPRING, RETURN	1							
4	1	114299-66250	SPRING, RETURN	1							
5	1	114299-66440	BOLT, ADJUSTER	2							
6	1	114652-66871	LEVER, REGULATOR	1							
8	2	105225-66990	SCREW, INNER WIRE	1							
9	1	114652-66881	BRACKET, LEVER	1							
10	1	114299-67080	BOLT, ADJUST	1							
11	1	26106-060122	BOLT, M6X 12 PLATED	1							
12	1	26106-060202	BOLT, M6X 20 PLATED	1							
13	1	26106-060302	BOLT, M6X 30 PLATED	1							
14	1	26857-060002	NUT, M6	2							
15	1	26857-060002	NUT, M6	1							
17	1	114295-61810	WASHER, PLAIN 14	1							
18	1	114771-61830	PLATE	1							
19	1	114295-61940	NUT, PROTECTOR M14	1							
20	1	114210-66010	SPRING, REGULATOR	1							
21	1	114299-66201	SPRING, RETURN	1							
22	1	114771-66600	LIMITER ASSY, FUEL	1							
23	1	114295-66690	NUT, LOCK M14	1							
25	1	114780-61090	TIN	2							
27	1	114295-61980	PROTECTOR ASSY	1							
29	2	24311-000180	O-RING, 1AP18.0	1							
30	1	22451-060000	WIRE, 0.6	2							

Fig.19. RECOIL STARTER



(A)=L70V6FF1L1AA
(B)=
(C)=

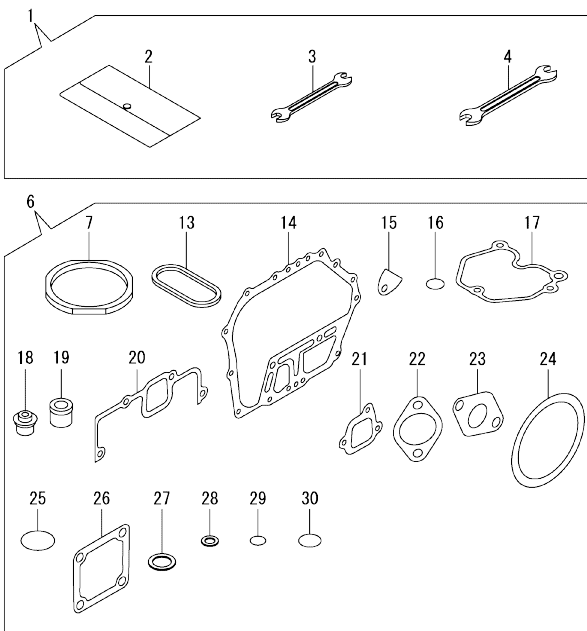
(D)=
(E)=
(F)=

No.	Lev.	Parts No.	Description	Q'ty					
				(A)	(B)	(C)	(D)	(E)	(F)
2	2	114399-76251	STARTER ASSY, RECOIL	1					
3	3	114399-76510	CASE, STARTER	1					
4	3	114399-76521	REEL, RECOIL STARTER	1					
6	3	114399-76600	RATCHET	1					
7	3	114399-76540	SPRING, SPIRAL	1					
8	3	114399-76550	COVER, RATCHET	1					
9	3	114399-76560	SPRING	1					
10	3	114399-76570	SPRING, RETURN	1					
11	3	114399-76580	SCREW	1					
12	3	114399-76620	KNOB, STARTER	1					
13	3	114399-76630	ROPE, STARTER	1					
14	2	114399-76590	PULLEY, STARTER	1					
15	1	26106-060082	BOLT, M6X 8 PLATED	4					
16	1	26106-060122	BOLT, M6X 12 PLATED	3					

Fig.20. GASKET SET & TOOL

(A)=L70V6FF1L1AA
(B)=
(C)=

(D)=
(E)=
(F)=



No.	Lev.	Parts No.	Description	Q'ty						I	R
				(A)	(B)	(C)	(D)	(E)	(F)		
1	1	114299-92590	TOOL ASSY	1							
2	2	114299-92600	BAG, TOOL	1							
3	2	114299-92710	WRENCH	1							
4	2	114299-92720	WRENCH	1							
6	1	114220-92600	GASKET SET	1							1
7	2	114395-01331	GASKET, HEAD	1							
13	2	114399-01380	O-RING, TAPPET	1							
14	2	114399-01410	GASKET, CASE COVER	1							
15	2	114250-01841	GASKET, COVER	1							
16	2	114299-01950	O-RING, 18	2							
17	2	114210-11310	GASKET, BONNET	1							
18	2	114350-11341	SEAL, VALVE STEM	2							
19	2	114771-11461	GASKET, NOZZLE	1							
20	2	114210-12210	GASKET, AIR CLEANER	1							
21	2	114299-12210	GASKET, AIR CLEANER	2							
22	2	114299-12920	GASKET, AIR CLEANER	1							
23	2	114299-13200	GASKET, MUFFLER	1							
24	2	114399-21980	GASKET	1							
25	2	114299-32570	O-RING, PUMP COVER	1							
26	2	129100-77510	GASKET, AIR HEATER	3							
27	2	22190-160002	WASHER, SEAL 16	2							
28	2	23414-080000	GASKET, 8X1.0	1							
29	2	24341-000150	O-RING, 1AS15.0	1							
30	2	24341-000224	O-RING, 1AS22.4	1							

Remarks

(1)Optional parts.

Parts No. Index

Parts No.	Fig. No.	Ref. No.	Parts No.	Fig. No.	Ref. No.	Parts No.	Fig. No.	Ref. No.	Parts No.	Fig. No.	Ref. No.
105010-11490	4	27	114220-07110	3	6	114299-13200	6	1	114399-76540	19	7
105225-66990	18	8	114220-07120	14	2		20	23	114399-76550	19	8
114210-01010	1	1	114220-07130	3	13	114299-13800	6	13	114399-76560	19	9
114210-01200	4	1	114220-12500	5	8	114299-21220	9	1	114399-76570	19	10
114210-01210	4	2	114220-12550	5	3	114299-21550	9	2	114399-76580	19	11
114210-03590	4	39	114220-22140	10	13	114299-32070	12	7	114399-76590	19	14
114210-11120	4	10	114220-22150	10	21	114299-32570	12	8	114399-76600	19	6
114210-11180	4	11	114220-45210	14	1		20	25	114399-76620	19	12
114210-11310	4	36	114220-92600	20	6	114299-35110	12	12	114399-76630	19	13
	20	17	11422C-23700	10	28	114299-35150	1	40	114650-59061	17	25
114210-11901	4	30	11422C-55710	17	7	114299-45220	14	3	114650-66150	18	2
114210-11930	4	12	114239-59301	17	23		7	7	114652-59310	17	27
114210-11950	4	37	114240-11450	4	26	114299-45301	15	3	114652-66871	18	6
114210-12010	5	4	114240-11550	4	28	114299-45310	15	4	114652-66881	18	9
114210-12210	5	1	114240-22040	10	11	114299-45331	15	5	114654-66140	18	1
	20	20	114240-22050	10	19	114299-45350	15	6	114699-01760	2	2
114210-12560	5	11	114240-55300	17	5	114299-55040	17	11	114740-55200	17	13
114210-12590	5	12	114249-53000	16	29	114299-55080	17	9	114770-61520	12	37
114210-12600	5	15	114250-01841	1	27	114299-55110	17	12	114770-61610	12	39
114210-14200	7	1		20	15	114299-61190	12	17	114771-11461	20	19
114210-14300	7	2	114250-11240	4	18	114299-61600	12	38	114771-61830	18	18
114210-14400	7	7			22	114299-66201	18	21	114771-66600	18	22
114210-14580	7	8	114250-32010	12	1	114299-66250	18	4	114780-59010	17	20
114210-21760	8	1	114250-53080	16	32	114299-66440	18	5	114780-59060	17	21
114210-28050	11	6	114250-53120	16	38	114299-67080	18	10	114780-61090	18	25
114210-45150	15	1	114250-53130	16	39	114299-92590	20	1	114840-02110	1	38
114210-45260	14	8	114250-53140	16	40	114299-92600	20	2	114840-02200	1	42
114210-45270	14	9	114250-53210	16	41	114299-92710	20	3	114840-02210	1	43
114210-45310	14	5	114250-55122	17	1	114299-92720	20	4	114840-23600	10	33
114210-45320	14	4	114250-55130	17	2	114339-53100	16	33	114840-23610	10	35
114210-45350	14	12	114268-66200	18	3	114350-02113	1	46	114840-23620	10	37
114210-45360	14	13	114295-61810	18	17	114350-11341	4	25	114840-23910	10	39
114210-55210	17	3	114295-61940	18	19		20	18	118200-23200	10	32
114210-55230	17	4	114295-61980	18	27	114395-01331	1	5	119803-53400	16	42
114210-55810	17	14	114295-66690	18	23		20	7	121750-59890	17	28
114210-59800	16	70	114299-01600	1	12	114399-01380	1	11	124066-59100	17	26
114210-59850	16	76	114299-01690	2	1		20	13	124722-59050	17	24
114210-61290	12	41	114299-01800	1	13	114399-01410	1	34	129100-77510	20	26
114210-61500	12	18	114299-01830	1	26		20	14	160110-02220	1	47
114210-66010	18	20	114299-01950	2	4	114399-01700	2	7			48
114211-01450	1	35		20	16	114399-21590	9	3	22117-080000	17	15
114211-11020	4	3	114299-02030	1	45	114399-21600	9	6	22190-160002	2	5
11421C-11100	4	8	114299-03640	4	42	114399-21980	20	24		20	27
11421C-11110	4	9	114299-07101	3	5	114399-22300	10	9	22242-000120	4	24
11421C-11250	4	14	114299-07111	3	7	114399-45320	14	10	22252-000210	10	10
11421C-11260	4	15	114299-07160	3	8	114399-45340	14	6	22312-030160	4	45
11421C-11650	4	16	114299-11600	4	29			11		12	9
11421C-11660	4	20	114299-12210	20	21	114399-76251	19	2	22312-040080	1	28
11421C-13500	6	2	114299-12300	5	2	114399-76510	19	3	22322-030200	12	30
114220-07100	3	4	114299-12920	20	22	114399-76521	19	4			35

Parts No. Index

Parts No.	Fig. No.	Ref. No.
22351-025005	16	37
22351-040008	4	31
22451-060000	18	30
22512-040120	9	7
23080-014000	17	22
23414-080000	17	10
	20	28
23875-020000	1	29
23876-010000	13	1
24162-152116	1	49
24311-000125	17	6
24311-000180	18	29
24341-000150	20	29
24341-000224	12	14
	20	30
26106-060082	14	14
	19	15
26106-060122	12	10
	18	11
	19	16
26106-060142	6	8
26106-060162	12	15
	17	16
26106-060202	5	17
	14	15
	18	12
26106-060302	18	13
26106-060402	4	32
26106-060552	4	48
26106-080122	1	50
26106-080352	1	41
26106-080452	17	17
26106-100122	2	8
26216-080182	6	10
26226-060182	1	30
26226-060222	1	31
26226-060302	5	18
26226-060552	4	33
26306-080002	6	11
26366-060002	1	32
	4	34
	14	16
	17	18
26856-060002	4	19
		23
26857-060002	18	14
		15
714210-22721	10	1
714210-28510	11	1
714210-61701	12	40

Parts No.	Fig. No.	Ref. No.
714249-51400	16	1
714249-53100	16	28
714870-22502	10	3

Parts No.	Fig. No.	Ref. No.
-----------	----------	----------

Parts No.	Fig. No.	Ref. No.
-----------	----------	----------