

0CC50-M01420EN

# P R E F A C E

This parts catalog is the 1st edition of L70V6FF1F1AA for EP BARRUS.

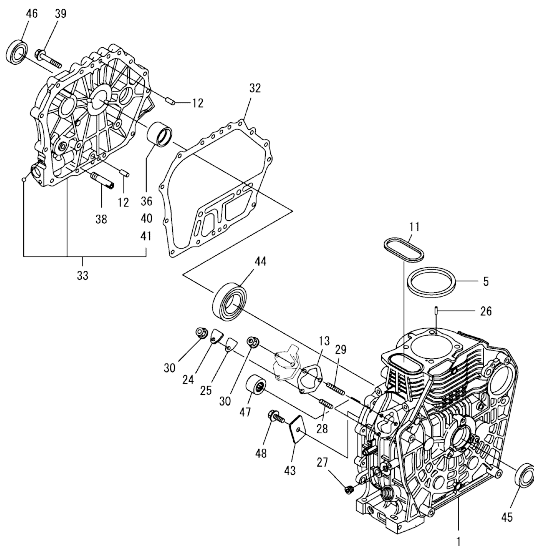
Published : August, 2018

## Contents

0CC50-M01420

Fig. No.	Fig. Name	Fig. No.	Fig. Name
<b>ENGINE</b>			
1.	CYLINDER BLOCK		
2.	DRAIN PLUG		
3.	LABEL		
4.	CYLINDER HEAD & BONNET		
5.	AIR CLEANER		
6.	EXHAUST MUFFLER		
7.	CAMSHAFT		
8.	CRANKSHAFT		
9.	FLYWHEEL		
10.	PISTON & CONNECTING ROD		
11.	BALANCER SHAFT		
12.	LUB. OIL PUMP & GOVERNOR		
13.	SWITCH CAP(OIL PRESSURE)		
14.	COVER		
15.	COOLING FAN CASE		
16.	FUEL INJECTION PUMP & FUEL INJECTION VALVE		
17.	FUEL TANK & FUEL PIPE		
18.	CONTROL DEVICE		
19.	RECOIL STARTER		
20.	GASKET SET & TOOL		

Fig.1. CYLINDER BLOCK



(A)=L70V6FF1F1AA  
(B)=  
(C)=

(D)=  
(E)=  
(F)=

No.	Lev.	Parts No.	Description	Q'ty						I	R
				(A)	(B)	(C)	(D)	(E)	(F)		
1	1	114210-01010	BLOCK ASSY, CYLINDER	1							
5	1	114395-01331	GASKET, HEAD	1							
11	1	114399-01380	O-RING, TAPPET	1							
12	1	114299-01600	PIN, PARALLEL 8X12	2							
13	1	114299-01800	SHIM SET, PUMP	1							
24	1	114299-01830	COVER, PUMP	1							
25	1	114250-01841	GASKET, COVER	1							
26	1	22312-040080	PIN, PARALLEL M4X 8	2							
27	1	23875-020000	PLUG, R02	1							
28	1	26226-060182	STUD, M6X 18	1							
29	1	26226-060222	STUD, M6X 22	2							
30	1	26366-060002	NUT, M6	3							
32	1	114399-01410	GASKET, CASE COVER	1							
33	1	114210-01450	COVER, CRANK CASE	1							
33-1	1	114211-01450	COVER, CRANK CASE	1							N
(A=*2019,02)											
36	2	114350-02100	METAL, MAIN	1							1
36-1	2	114840-02110	BEARING, MAIN	1							N 1
(A=*2019,07)											
38	1	114299-35150	PIPE, OIL INLET	1							
39	1	26106-080352	BOLT, M8X 35 PLATED	15							
40	1	114350-02200	METAL, MAIN 0.25 US	1							2
40-1	1	114840-02200	BEARING, MAIN 0.25OS	1							N 4
(A=*2019,07)											
41	1	114350-02210	METAL, MAIN 0.50 US	1							3
41-1	1	114840-02210	BEARING, MAIN 0.50OS	1							N 5
(A=*2019,07)											
43	1	114299-02030	RETAINER, BEARING	1							
44	1	114350-02113	BEARING, B35-135G3C3	1							
45	1	160110-02220	SEAL, OIL 30X45X8	1							
46	1	160110-02220	SEAL, OIL 30X45X8	1							
47	1	24162-152116	BEARING, 152116	1							
48	1	26106-080122	BOLT, M8X 12 PLATED	1							

Remarks

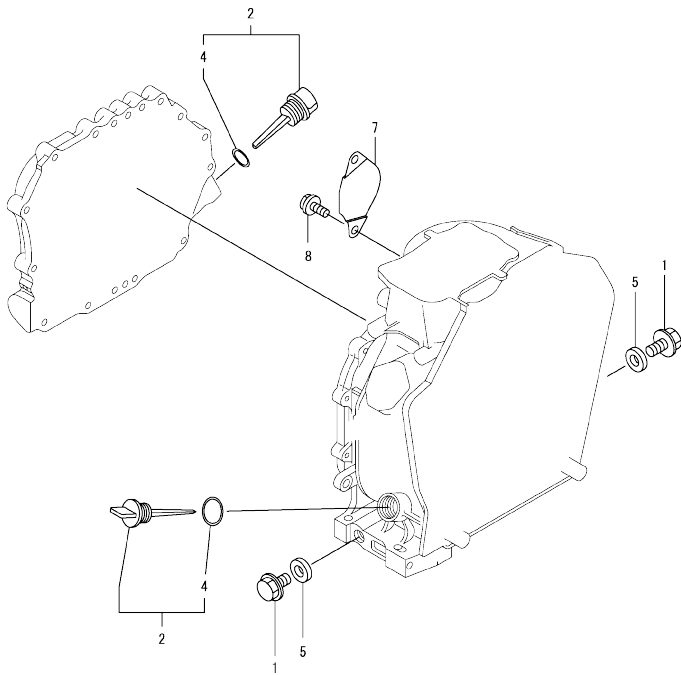
- (1) Spare parts.
- (2) Under-sized (U.S.=0.25) parts.
- (3) Under-sized (U.S.=0.50) parts.
- (4) Over-sized (O.S.=0.25) parts.
- (5) Over-sized (O.S.=0.50) parts.

0CC50-M01420 ENGINE  
 Fig.2. DRAIN PLUG

0CC50-M01420 Fig.2

(A)=L70V6FF1F1AA  
 (B)=  
 (C)=

(D)=  
 (E)=  
 (F)=



No.	Lev.	Parts No.	Description	Q'ty						I	R
				(A)	(B)	(C)	(D)	(E)	(F)		
1	1	114299-01690	PLUG, DRAIN 16	2							
2	1	114699-01760	CAP ASSY, OIL SUPPLY	2							
4	2	114299-01950	O-RING, 18	2							
5	1	22190-160002	WASHER, SEAL 16	2							
7	1	114399-01700	COVER, STARTER	1							
8	1	26106-100122	BOLT, M10X 12 PLATED	2							

Fig.3. LABEL

(A)=L70V6FF1F1AA  
(B)=  
(C)=

(D)=  
(E)=  
(F)=

No.	Lev.	Parts No.	Description	Q'ty						
				(A)	(B)	(C)	(D)	(E)	(F)	
2	1	114299-07101	LABEL, YANMAR MARK A	1						
3	1	114299-07111	LABEL, YANMAR MARK B	1						
4	1	114210-07120	LABEL, CAUTION	1						
5	1	114210-07130	LABEL, HOW TO START	1						
6	1	114299-07160	LABEL, DIESEL	1						
9	1	183250-07230	LABEL, OPERATION	1						

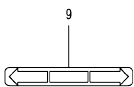
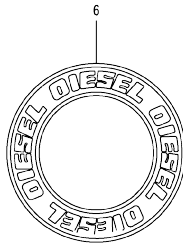
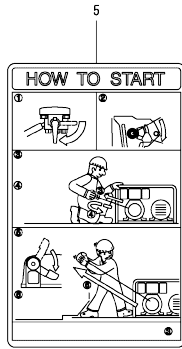
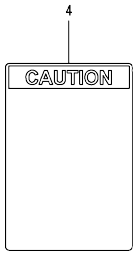
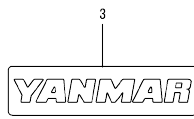
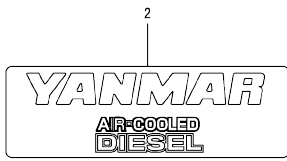
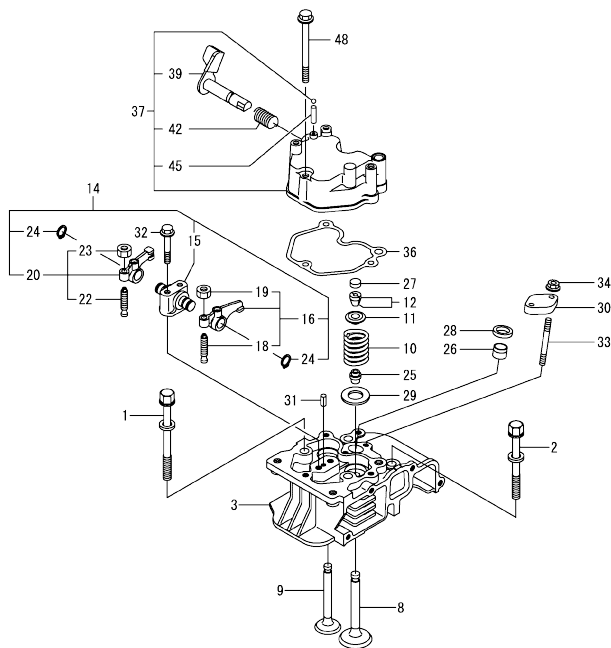


Fig.4. CYLINDER HEAD & BONNET



(A)=L70V6FF1F1AA  
(B)=  
(C)=

(D)=  
(E)=  
(F)=

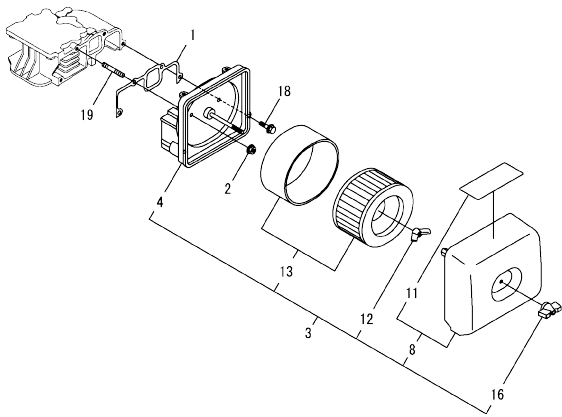
No.	Lev.	Parts No.	Description	Q'ty						I	R		
				(A)	(B)	(C)	(D)	(E)	(F)				
1	1	114210-01200	BOLT, HEAD A										
2	1	114210-01210	BOLT, HEAD B										
3	1	114211-11020	HEAD, CYLINDER										
8	1	11421C-11100	VALVE, INTAKE										
9	1	11421C-11110	VALVE, EXHAUST										
10	1	114210-11120	SPRING, VALVE										
11	1	114210-11180	RETAINER, SPRING										
12	1	114210-11930	COTTER ASSY										
14	1	11421C-11250	SUPPORT ASSY, ARM										
15	2	11421C-11260	SUPPORT, ROCKER ARM										
16	2	11421C-11650	ARM ASSY, ROCKER										
18	3	114250-11240	SCREW, VALVE ADJUST										
19	3	26856-060002	NUT, M6										
20	2	11421C-11660	ARM ASSY, ROCKER EXH										
22	3	114250-11240	SCREW, VALVE ADJUST										
23	3	26856-060002	NUT, M6										
24	2	22242-000120	RING, 12										
25	1	114350-11341	SEAL, VALVE STEM										
26	1	114240-11450	PROTECTOR, NOZZLE										
27	1	105010-11490	CAP, VALVE										
28	1	114240-11550	SEAT, NOZZLE										
29	1	114299-11600	WASHER, VALVE SPRING										
30	1	114210-11901	RETAINER, VALVE										
31	1	22351-040008	PIN, SPRING 4.0X 8										
32	1	26106-060402	BOLT, M6X 40 PLATED										
33	1	26226-060552	STUD, M6X 55										
34	1	26366-060002	NUT, M6										
36	1	114210-11310	GASKET, BONNET										
37	1	114210-11950	BONNET ASSY, HEAD										
39	2	114210-03590	DECOMPRESSION ASSY										
42	2	114299-03640	SPRING, DECOMPRESSION										
45	2	22312-030160	PIN, PARALLEL M3X16										
48	1	26106-060552	BOLT, M6X 55 PLATED										

OCC50-M01420 ENGINE  
 Fig.5. AIR CLEANER

OCC50-M01420 Fig.5

(A)=L70V6FF1F1AA  
 (B)=  
 (C)=

(D)=  
 (E)=  
 (F)=

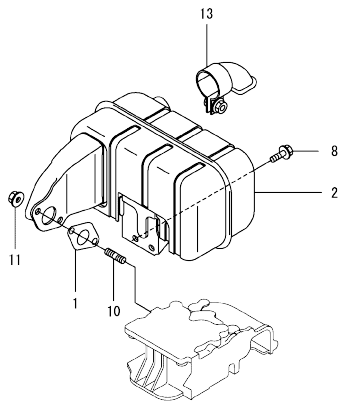


No.	Lev.	Parts No.	Description	Q'ty						I	R
				(A)	(B)	(C)	(D)	(E)	(F)		
1	1	114210-12210	GASKET, AIR CLEANER	1							
2	1	114299-12300	NUT	3							
3	1	114210-12511	CLEANER ASSY, AIR	1							
4	2	114210-12010	BODY ASSY, CLEANER	1							
8	2	114210-12500	COVER ASSY, CLEANER	1							
11	3	114210-12610	LABEL, AIR CLEANER	1							
12	2	114210-12560	NUT, WING	1							
13	2	114210-12590	ELEMENT ASSY	1							
16	2	114210-12600	KNOB	1							
18	1	26106-060202	BOLT, M6X 20 PLATED	1							
19	1	26226-060302	STUD, M6X 30	3							



OCC50-M01420 ENGINE

Fig.6. EXHAUST MUFFLER



OCC50-M01420 Fig.6

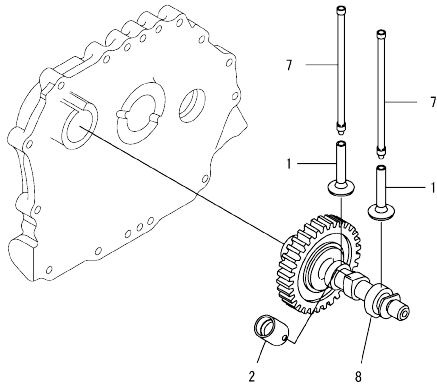
(A)=L70V6FF1F1AA  
(B)=  
(C)=

(D)=  
(E)=  
(F)=

No.	Lev.	Parts No.	Description	Q'ty						I	R
				(A)	(B)	(C)	(D)	(E)	(F)		
1	1	114299-13200	GASKET, MUFFLER	1							
2	1	11421C-13500	MUFFLER ASSY	1							
8	1	26106-060142	BOLT, M6X 14 PLATED	2							
10	1	26216-080182	STUD, M8X 18	2							
11	1	26306-080002	NUT, M8	2							
13	1	114299-13800	EXTENSION ASSY	1							

OCC50-M01420 ENGINE  
 Fig.7. CAMSHAFT

OCC50-M01420 Fig.7



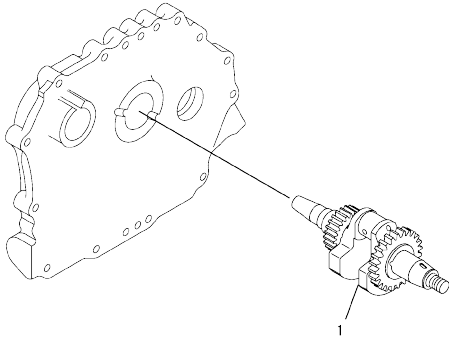
(A)=L70V6FF1F1AA  
 (B)=  
 (C)=

(D)=  
 (E)=  
 (F)=

No.	Lev.	Parts No.	Description	Q'ty					
				(A)	(B)	(C)	(D)	(E)	(F)
1	1	114210-14200	TAPPET	2					
2	1	114210-14300	TAPPET ASSY, ROLLER	1					
7	1	114210-14400	ROD ASSY, PUSH	2					
8	1	114210-14580	CAMSHAFT ASSY	1					

OCC50-M01420 ENGINE

Fig.8. CRANKSHAFT



OCC50-M01420 Fig.8

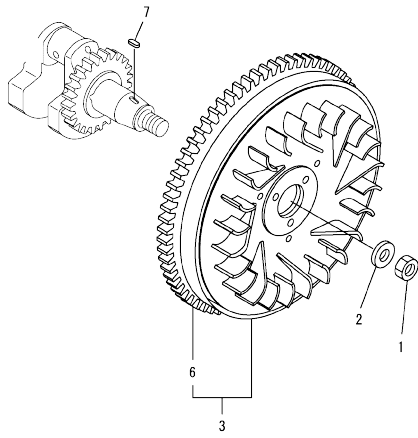
(A)=L70V6FF1F1AA  
(B)=  
(C)=

(D)=  
(E)=  
(F)=

No.	Lev.	Parts No.	Description	Q'ty						I	R
				(A)	(B)	(C)	(D)	(E)	(F)		
1	1	114210-21760	CRANKSHAFT ASSY,E-DI	1							

OCC50-M01420 ENGINE  
 Fig.9. FLYWHEEL

OCC50-M01420 Fig.9

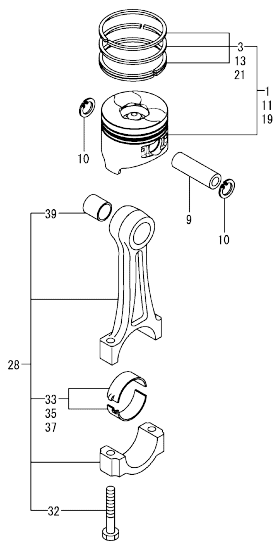


(A)=L70V6FF1F1AA  
 (B)=  
 (C)=

(D)=  
 (E)=  
 (F)=

No.	Lev.	Parts No.	Description	Q'ty						I	R
				(A)	(B)	(C)	(D)	(E)	(F)		
1	1	114299-21220	NUT, WHEEL	1							
2	1	114299-21550	WASHER, FLYWHEEL	1							
3	1	114399-21590	FLYWHEEL ASSY, DE	1							
6	2	114399-21600	GEAR, RING	1							
7	1	22512-040120	KEY, 4X 12	1							

Fig.10. PISTON & CONNECTING ROD



(A)=L70V6FF1F1AA  
(B)=  
(C)=

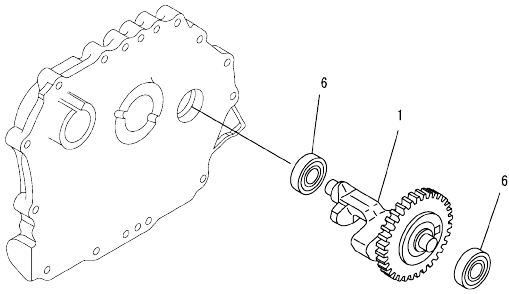
(D)=  
(E)=  
(F)=

No.	Lev.	Parts No.	Description	Q'ty						I	R
				(A)	(B)	(C)	(D)	(E)	(F)		
1	1	714210-22721	PISTON ASSY, D	1							
3	2	714870-22502	RING SET, PISTON	1							
9	1	114399-22300	PIN, PISTON D=21	1							
10	1	22252-000210	RING, 21	2							
11	1	114240-22040	PISTON ASSY, 0.25 OS	1							1
13	2	114220-22140	RING SET, PISTON .25	1							1
19	1	114240-22050	PISTON ASSY, 0.50 OS	1							2
21	2	114220-22150	RING SET, PISTON .50	1							2
28	1	71421C-23010	ROD ASSY, CONNECTING	1							
28-1	1	11422C-23700	ROD ASSY, CONNECTING	1							N
		(A=*2019,02)									
32	3	118200-23200	BOLT, CONNECTING ROD	2							
33	2	114210-23600	METAL ASSY, CRANK PIN	1							
33-1	2	114840-23600	METAL, CRANK PIN	1							N
		(A=*2019,10)									
35	1	114210-23610	METAL, CRANK PIN .25	1							3
35-1	1	114840-23610	METAL, CRANK PIN 0.25	1							N 1
		(A=*2019,10)									
37	1	114210-23620	METAL, CRANK PIN .50	1							4
37-1	1	114840-23620	METAL, CRANK PIN 0.50	1							N 2
		(A=*2019,10)									
39	1	114840-23910	BUSH, PISTON PINN	1							W 5
		(A=*2019,07)									

Remarks

- (1)Over-sized(O.S.=0.25) parts.
- (2)Over-sized(O.S.=0.50) parts.
- (3)Under-sized(U.S.=0.25) parts.
- (4)Under-sized(U.S.=0.50) parts.
- (5)Spare parts.

Fig.11. BALANCER SHAFT

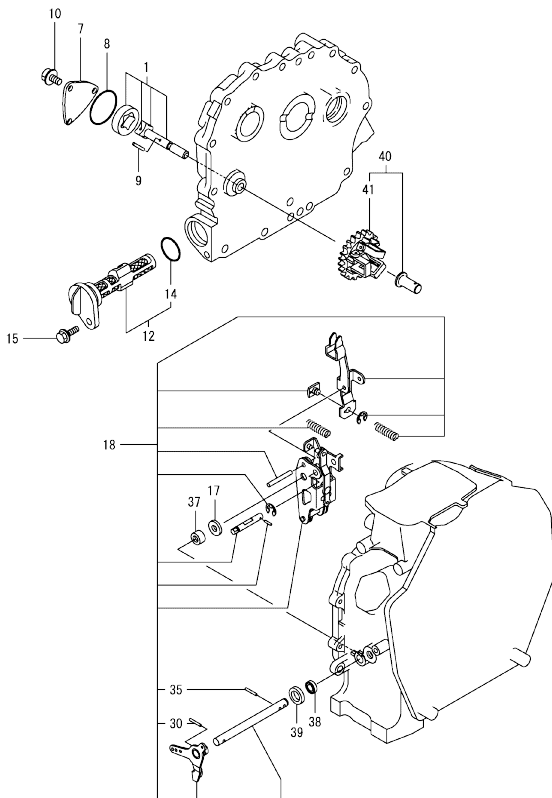


(A)=L70V6FF1F1AA  
(B)=  
(C)=

(D)=  
(E)=  
(F)=

No.	Lev.	Parts No.	Description	Q'ty						I	R
				(A)	(B)	(C)	(D)	(E)	(F)		
1	1	714210-28510	SHAFT ASSY, BALANCER	1							
6	1	114210-28050	BEARING, 6203	2							

Fig.12. LUB. OIL PUMP & GOVERNOR



(A)=L70V6FF1F1AA  
(B)=  
(C)=

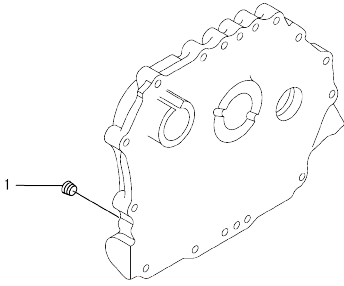
(D)=  
(E)=  
(F)=

No.	Lev.	Parts No.	Description	Q'ty						I	R
				(A)	(B)	(C)	(D)	(E)	(F)		
1	1	114250-32010	PUMP ASSY, OIL	1							
7	1	114299-32070	COVER, OIL PUMP	1							
8	1	114299-32570	O-RING, PUMP COVER	1							
9	1	22312-030160	PIN, PARALLEL M3X16	1							
10	1	26106-060122	BOLT, M6X 12 PLATED	3							
12	1	114299-35110	FILTER ASSY, OIL	1							
14	2	24341-000224	O-RING, 1AS22,4	1							
15	1	26106-060162	BOLT, M6X 16 PLATED	1							
17	1	114299-61190	WASHER, GOVERNOR	1							
18	1	114210-61500	LEVER ASSY, GOVERNOR	1							1
30	3	22322-030200	PIN, TAPER 3X20	1							
35	2	22322-030200	PIN, TAPER 3X20	1							
37	1	114770-61520	BEARING, NEEDLE	2							
38	1	114299-61600	SEAL, OIL	1							
39	1	114770-61610	WASHER, THRUST	1							
40	1	714210-61701	GOVERNOR ASSY	1							
41	2	114210-61290	WEIGHT ASSY,GOVERNOR	1							

Remarks  
(1)On a guarantee of quality, component parts shall not be sold.

OCC50-M01420 ENGINE

Fig.13. SWITCH CAP(OIL PRESSURE)



OCC50-M01420 Fig.13

(A)=L70V6FF1F1AA  
(B)=  
(C)=

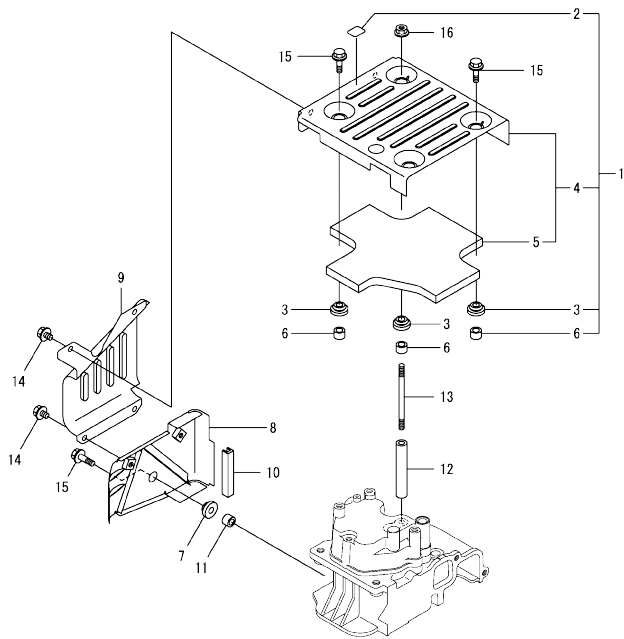
(D)=  
(E)=  
(F)=

No.	Lev.	Parts No.	Description	Q'ty						I	R
				(A)	(B)	(C)	(D)	(E)	(F)		
1	1	23876-010000	PLUG, R01	1							



OCC50-M01420 ENGINE  
 Fig.14. COVER

OCC50-M01420 Fig.14

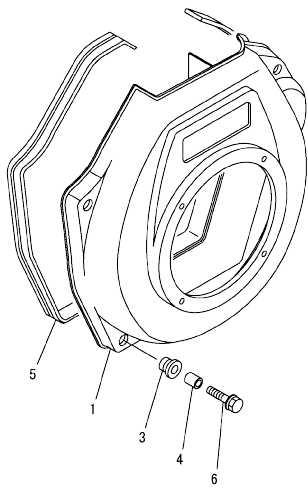


(A)=L70V6FF1F1AA  
 (B)=  
 (C)=

(D)=  
 (E)=  
 (F)=

No.	Lev.	Parts No.	Description	Q'ty						I	R
				(A)	(B)	(C)	(D)	(E)	(F)		
1	1	114210-45210	COVER ASSY, TOP	1							
2	2	114210-07200	LABEL, DECOMPRESSION	1							
3	2	114299-45220	GROMMET, TANK	4							
4	2	114210-45320	COVER, TOP	1							
5	3	114210-45310	ACOUSTIC ABSORBENT	1							
6	2	114399-45340	COLLAR	4							
7	1	114299-45220	GROMMET, TANK	1							
8	1	114210-45260	COVER, SIDE B	1							
9	1	114210-45270	COVER, SIDE A	1							
10	1	114399-45320	RUBBER, SEAL	1							
11	1	114399-45340	COLLAR	1							
12	1	114210-45350	SPACER, TOP COVER	1							
13	1	114210-45360	STUD, M6X87	1							
14	1	26106-060082	BOLT, M6X 8 PLATED	4							
15	1	26106-060202	BOLT, M6X 20 PLATED	4							
16	1	26366-060002	NUT, M6	1							

Fig.15. COOLING FAN CASE

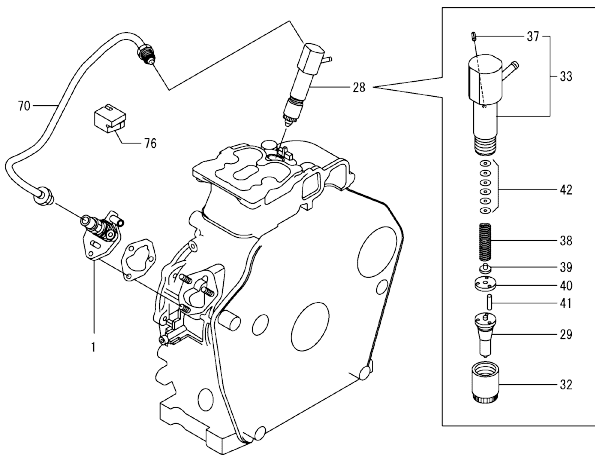


(A)=L70V6FF1F1AA  
(B)=  
(C)=

(D)=  
(E)=  
(F)=

No.	Lev.	Parts No.	Description	Q'ty						I	R
				(A)	(B)	(C)	(D)	(E)	(F)		
1	1	114210-45150	CASE, COOLING FAN	1							
3	1	114299-45301	RUBBER, FAN CASE	4							
4	1	114299-45310	COLLAR, FAN CASE	4							
5	1	114299-45331	SEAL, FAN CASE	1							
6	1	114299-45350	BOLT, FAN CASE	4							

Fig.16. FUEL INJECTION PUMP & FUEL INJECTION VALVE



(A)=L70V6FF1F1AA  
(B)=  
(C)=

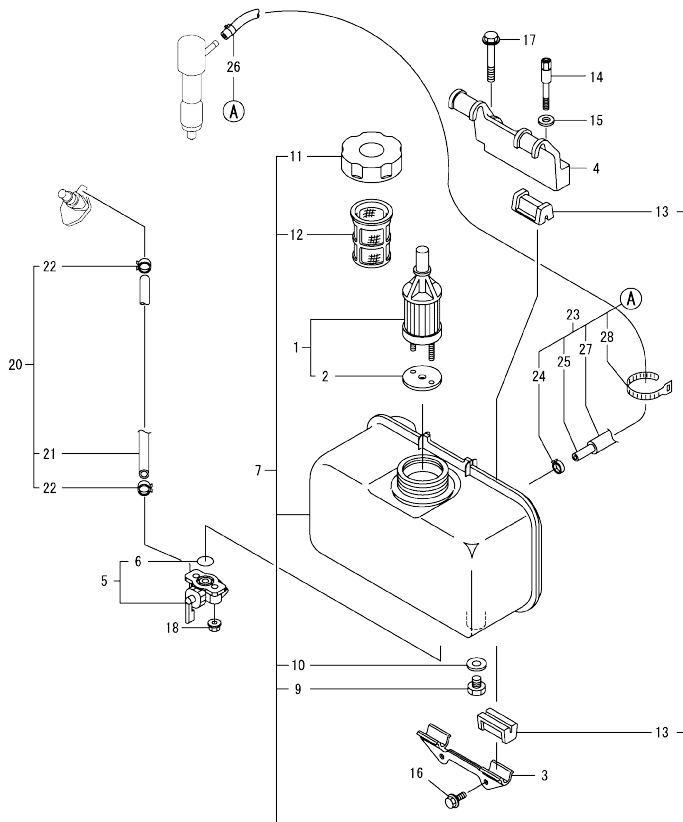
(D)=  
(E)=  
(F)=

No.	Lev.	Parts No.	Description	Q'ty						I	R
				(A)	(B)	(C)	(D)	(E)	(F)		
1	1	714249-51400	PUMP ASSY, INJECTION	1							1
28	1	714249-53100	VALVE ASSY, INJECTION	1							
29	2	114249-53000	VALVE ASSY, INJECTION	1							
32	2	114250-53080	NUT, NOZZLE	1							
33	2	114339-53100	HOLDER ASSY, NOZZLE	1							
37	3	22351-025005	PIN, SPRING 2.5X 6	1							
38	2	114250-53120	SPRING, NOZZLE	1							
39	2	114250-53130	SEAT, SPRING	1							
40	2	114250-53140	SPACER, VALVE STOP	1							
41	2	114250-53210	PIN, POSITIONING	2							
42	2	119803-53400	SHIM SET	1							
70	1	114210-59800	PIPE ASSY, INJECTION	1							
76	1	114210-59850	SUPPORT, PIPE	1							

Remarks

(1) On a guarantee of quality, component parts shall not be sold.

Fig.17. FUEL TANK & FUEL PIPE



(A)=L70V6FF1F1AA  
(B)=  
(C)=

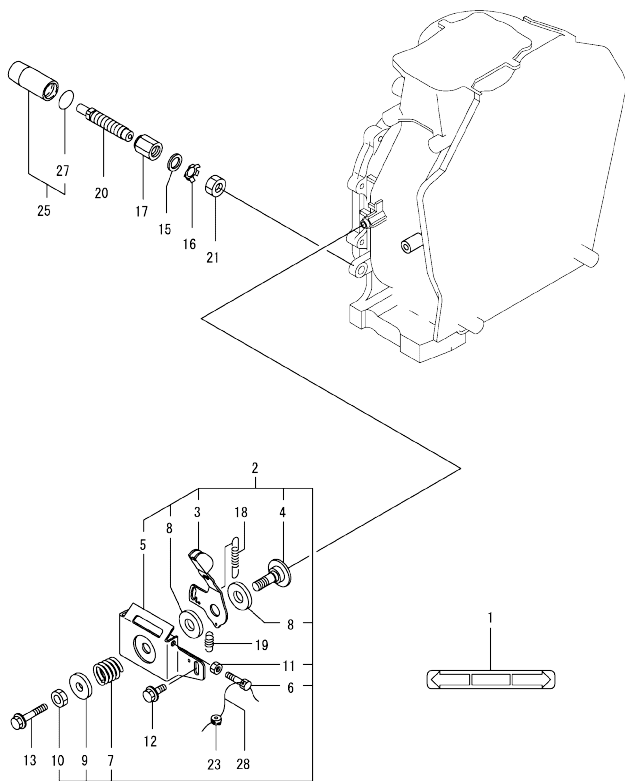
(D)=  
(E)=  
(F)=

No.	Lev.	Parts No.	Description	Q'ty						I	R
				(A)	(B)	(C)	(D)	(E)	(F)		
1	1	114250-55122	FILTER ASSY,FUEL OIL	1							
2	2	114250-55130	GASKET	1							
3	1	114210-55210	STAY, FUEL TANK A	1							
4	1	114210-55230	STAY, FUEL TANK B	1							
5	1	114240-55300	COCK ASSY, FUEL	1							
6	2	24311-000125	O-RING, 1AP12,5	1							
7	1	11421C-55710	TANK ASSY, FUEL	1							
7-1	1	11422C-55710	TANK ASSY, FUEL	1							N
(A=EM81656)											
9	2	114299-55080	PLUG, DRAIN	1							
10	2	23414-080000	GASKET, 8X1,0	1							
11	2	114299-55040	CAP ASSY, FUEL TANK	1							
12	2	114299-55110	STRAINER, FUEL TANK	1							
13	2	114250-55201	DAMPER, FUEL TANK	4							
13-1	2	114740-55200	DAMPER, FUEL TANK	4							N
(A=EM81656)											
14	1	114210-55810	BOLT, LIFTING	1							
15	1	22117-080000	WASHER, 8	1							
16	1	26106-060162	BOLT, M6X 16 PLATED	2							
17	1	26106-080452	BOLT, M8X 45 PLATED	1							
18	1	26366-060002	NUT, M6	2							
20	1	114780-59010	PIPE ASSY, FUEL L50	1							
21	2	114780-59060	PIPE, FUEL L=50	1							
22	2	23080-014000	CLAMP, 14	2							
23	1	114239-59300	PIPE ASSY, RETURN	1							
23-1	1	114239-59301	PIPE ASSY, FO RETURN	1							N
(A=EM80981)											
24	2	124722-59050	CLAMP, HOSE 9	1							
25	2	114650-59060	PIPE, FUEL RETURN	1							
25-1	2	114650-59061	PIPE, FO RETURN	1							N
(A=EM80981)											
26	2	124066-59100	CLAMP, HOSE 8	1							
27	2	114652-59310	TUBE, PROTECT	1							
28	2	121750-59890	BAND, NYLON	1							

Fig.18. CONTROL DEVICE

(A)=L70V6FF1F1AA  
(B)=  
(C)=

(D)=  
(E)=  
(F)=

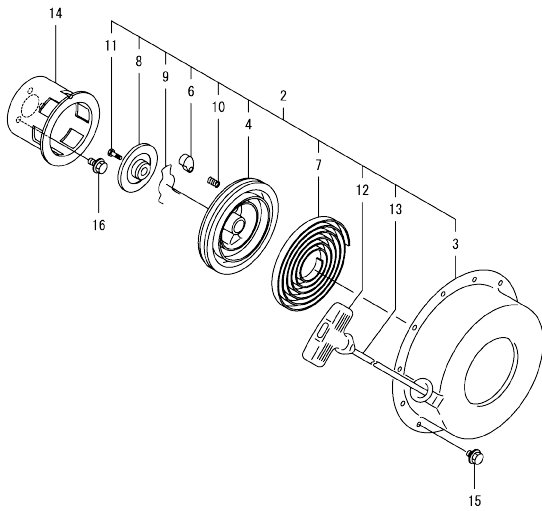


No.	Lev.	Parts No.	Description	Q'ty						I	R
				(A)	(B)	(C)	(D)	(E)	(F)		
1	1	183250-07230	LABEL, OPERATION	1							
2	1	114210-66550	BRACKET ASSY, HANDLE	1							
3	2	114210-66070	HANDLE, REGULATOR	1							
4	2	183250-66070	SHAFT, HANDLE	1							
5	2	114210-66400	BRACKET, HANDLE	1							
6	2	114250-66440	BOLT, ADJUSTER	1							
7	2	104200-66820	SPRING, HANDLE	1							
8	2	104200-66831	PLATE, FRICTION	2							
9	2	104200-66850	WASHER, B	1							
10	2	26696-100002	NUT, LOCK M10	1							
11	2	26757-060002	NUT, LOCK M6	1							
12	1	26106-060142	BOLT, M6X 14 PLATED	1							
13	1	26106-060452	BOLT, M6X 45 PLATED	1							
15	1	114295-61810	WASHER, PLAIN 14	1							
16	1	114771-61830	PLATE	1							
17	1	114295-61940	NUT, PROTECTOR M14	1							
18	1	114210-66010	SPRING, REGULATOR	1							
19	1	114299-66201	SPRING, RETURN	1							
20	1	114771-66600	LIMITER ASSY, FUEL	1							
21	1	114295-66690	NUT, LOCK M14	1							
23	1	114780-61090	TIN	1							
25	1	114295-61980	PROTECTOR ASSY	1							
27	2	24311-000180	O-RING, 1AP18,0	1							
28	1	22451-060000	WIRE, 0.6	1							

Fig.19. RECOIL STARTER

(A)=L70V6FF1F1AA  
(B)=  
(C)=

(D)=  
(E)=  
(F)=

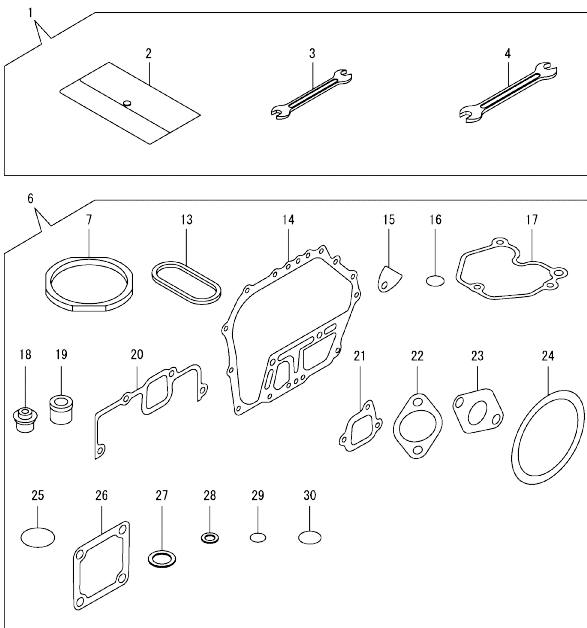


No.	Lev.	Parts No.	Description	Q'ty						I	R
				(A)	(B)	(C)	(D)	(E)	(F)		
2	2	114399-76251	STARTER ASSY, RECOIL	1							
3	3	114399-76510	CASE, STARTER	1							
4	3	114399-76521	REEL, RECOIL STARTER	1							
6	3	114399-76600	RATCHET	1							
7	3	114399-76540	SPRING, SPIRAL	1							
8	3	114399-76550	COVER, RATCHET	1							
9	3	114399-76560	SPRING	1							
10	3	114399-76570	SPRING, RETURN	1							
11	3	114399-76580	SCREW	1							
12	3	114399-76620	KNOB, STARTER	1							
13	3	114399-76630	ROPE, STARTER	1							
14	2	114399-76590	PULLEY, STARTER	1							
15	1	26106-060082	BOLT, M6X 8 PLATED	4							
16	1	26106-060122	BOLT, M6X 12 PLATED	3							

Fig.20. GASKET SET & TOOL

(A)=L70V6FF1F1AA  
(B)=  
(C)=

(D)=  
(E)=  
(F)=



No.	Lev.	Parts No.	Description	Q'ty						I	R
				(A)	(B)	(C)	(D)	(E)	(F)		
1	1	114299-92590	TOOL ASSY	1							
2	2	114299-92600	BAG, TOOL	1							
3	2	114299-92710	WRENCH	1							
4	2	114299-92720	WRENCH	1							
6	1	114220-92600	GASKET SET	1							1
7	2	114395-01331	GASKET, HEAD	1							
13	2	114399-01380	O-RING, TAPPET	1							
14	2	114399-01410	GASKET, CASE COVER	1							
15	2	114250-01841	GASKET, COVER	1							
16	2	114299-01950	O-RING, 18	2							
17	2	114210-11310	GASKET, BONNET	1							
18	2	114350-11341	SEAL, VALVE STEM	2							
19	2	114771-11461	GASKET, NOZZLE	1							
20	2	114210-12210	GASKET, AIR CLEANER	1							
21	2	114299-12210	GASKET, AIR CLEANER	2							
22	2	114299-12920	GASKET, AIR CLEANER	1							
23	2	114299-13200	GASKET, MUFFLER	1							
24	2	114399-21980	GASKET	1							
25	2	114299-32570	O-RING, PUMP COVER	1							
26	2	129100-77510	GASKET, SEAL HEATER	3							
27	2	22190-160002	WASHER, SEAL 16	2							
28	2	23414-080000	GASKET, 8X1.0	1							
29	2	24341-000150	O-RING, 1AS15.0	1							
30	2	24341-000224	O-RING, 1AS22.4	1							

Remarks

(1)Optional parts.

## Parts No. Index

Parts No.	Fig. No.	Ref. No.
104200-66820	18	7
104200-66831	18	8
104200-66850	18	9
105010-11490	4	27
114210-01010	1	1
114210-01200	4	1
114210-01210	4	2
114210-01450	1	33
114210-03590	4	39
114210-07120	3	4
114210-07130	3	5
114210-07200	14	2
114210-11120	4	10
114210-11180	4	11
114210-11310	4	36
	20	17
114210-11901	4	30
114210-11930	4	12
114210-11950	4	37
114210-12010	5	4
114210-12210	5	1
	20	20
114210-12500	5	8
114210-12511	5	3
114210-12560	5	12
114210-12590	5	13
114210-12600	5	16
114210-12610	5	11
114210-14200	7	1
114210-14300	7	2
114210-14400	7	7
114210-14580	7	8
114210-21760	8	1
114210-23600	10	33
114210-23610	10	35
114210-23620	10	37
114210-28050	11	6
114210-45150	15	1
114210-45210	14	1
114210-45260	14	8
114210-45270	14	9
114210-45310	14	5
114210-45320	14	4
114210-45350	14	12
114210-45360	14	13
114210-55210	17	3
114210-55230	17	4
114210-55810	17	14
114210-59800	16	70
114210-59850	16	76

Parts No.	Fig. No.	Ref. No.
114210-61290	12	41
114210-61500	12	18
114210-66010	18	18
114210-66070	18	3
114210-66400	18	5
114210-66550	18	2
114211-01450	1	33 -1
114211-11020	4	3
11421C-11100	4	8
11421C-11110	4	9
11421C-11250	4	14
11421C-11260	4	15
11421C-11650	4	16
11421C-11660	4	20
11421C-13500	6	2
11421C-55710	17	7
114220-22140	10	13
114220-22150	10	21
114220-92600	20	6
11422C-23700	10	28 -1
11422C-55710	17	7 -1
114239-59300	17	23
114239-59301	17	23 -1
114240-11450	4	26
114240-11550	4	28
114240-22040	10	11
114240-22050	10	19
114240-55300	17	5
114249-53000	16	29
114250-01841	1	25
	20	15
114250-11240	4	18
	22	
114250-32010	12	1
114250-53080	16	32
114250-53120	16	38
114250-53130	16	39
114250-53140	16	40
114250-53210	16	41
114250-55122	17	1
114250-55130	17	2
114250-55201	17	13
114250-66440	18	6
114295-61810	18	15
114295-61940	18	17
114295-61980	18	25
114295-66690	18	21
114299-01600	1	12
114299-01690	2	1
114299-01800	1	13

Parts No.	Fig. No.	Ref. No.
114299-01830	1	24
114299-01950	2	4
	20	16
114299-02030	1	43
114299-03640	4	42
114299-07101	3	2
114299-07111	3	3
114299-07160	3	6
114299-11600	4	29
114299-12210	20	21
114299-12300	5	2
114299-12920	20	22
114299-13200	6	1
	20	23
114299-13800	6	13
114299-21220	9	1
114299-21550	9	2
114299-32070	12	7
114299-32570	12	8
	20	25
114299-35110	12	12
114299-35150	1	38
114299-45220	14	3
	7	
114299-45301	15	3
114299-45310	15	4
114299-45331	15	5
114299-45350	15	6
114299-55040	17	11
114299-55080	17	9
114299-55110	17	12
114299-61190	12	17
114299-61600	12	38
114299-66201	18	19
114299-92590	20	1
114299-92600	20	2
114299-92710	20	3
114299-92720	20	4
114339-53100	16	33
114350-02100	1	36
114350-02113	1	44
114350-02200	1	40
114350-02210	1	41
114350-11341	4	25
	20	18
114395-01331	1	5
	20	7
114399-01380	1	11
	20	13
114399-01410	1	32

Parts No.	Fig. No.	Ref. No.
114399-01410	20	14
114399-01700	2	7
114399-21590	9	3
114399-21600	9	6
114399-21980	20	24
114399-22300	10	9
114399-45320	14	10
114399-45340	14	6
		11
114399-76251	19	2
114399-76510	19	3
114399-76521	19	4
114399-76540	19	7
114399-76550	19	8
114399-76560	19	9
114399-76570	19	10
114399-76580	19	11
114399-76590	19	14
114399-76600	19	6
114399-76620	19	12
114399-76630	19	13
114650-59060	17	25
114650-59061	17	25 -1
114652-59310	17	27
114699-01760	2	2
114740-55200	17	13 -1
114770-61520	12	37
114770-61610	12	39
114771-11461	20	19
114771-61830	18	16
114771-66600	18	20
114780-59010	17	20
114780-59060	17	21
114780-61090	18	23
114840-02110	1	36 -1
114840-02200	1	40 -1
114840-02210	1	41 -1
114840-23600	10	33 -1
114840-23610	10	35 -1
114840-23620	10	37 -1
114840-23910	10	39
118200-23200	10	32
119803-53400	16	42
121750-59890	17	28
124066-59100	17	26
124722-59050	17	24
129100-77510	20	26
160110-02220	1	45
		46
183250-07230	3	9



## Parts No. Index

Parts No.	Fig. No.	Ref. No.
183250-07230	18	1
183250-66070	18	4
22117-080000	17	15
22190-160002	2	5
	20	27
22242-000120	4	24
22252-000210	10	10
22312-030160	4	45
	12	9
22312-040080	1	26
22322-030200	12	30
		35
22351-025005	16	37
22351-040008	4	31
22451-060000	18	28
22512-040120	9	7
23080-014000	17	22
23414-080000	17	10
	20	28
23875-020000	1	27
23876-010000	13	1
24162-152116	1	47
24311-000125	17	6
24311-000180	18	27
24341-000150	20	29
24341-000224	12	14
	20	30
26106-060082	14	14
	19	15
26106-060122	12	10
	19	16
26106-060142	6	8
	18	12
26106-060162	12	15
	17	16
26106-060202	5	18
	14	15
26106-060402	4	32
26106-060452	18	13
26106-060552	4	48
26106-080122	1	48
26106-080352	1	39
26106-080452	17	17
26106-100122	2	8
26216-080182	6	10
26226-060182	1	28
26226-060222	1	29
26226-060302	5	19
26226-060552	4	33
26306-080002	6	11

Parts No.	Fig. No.	Ref. No.
26366-060002	1	30
	4	34
	14	16
	17	18
26696-100002	18	10
26757-060002	18	11
26856-060002	4	19
		23
714210-22721	10	1
714210-28510	11	1
714210-61701	12	40
71421C-23010	10	28
714249-51400	16	1
714249-53100	16	28
714870-22502	10	3

Parts No.	Fig. No.	Ref. No.
-----------	----------	----------

Parts No.	Fig. No.	Ref. No.
-----------	----------	----------