

0CC50-M02210EN

# P R E F A C E

This parts catalog is the 1st edition of L48V6VAF3F8AACD for MARX.

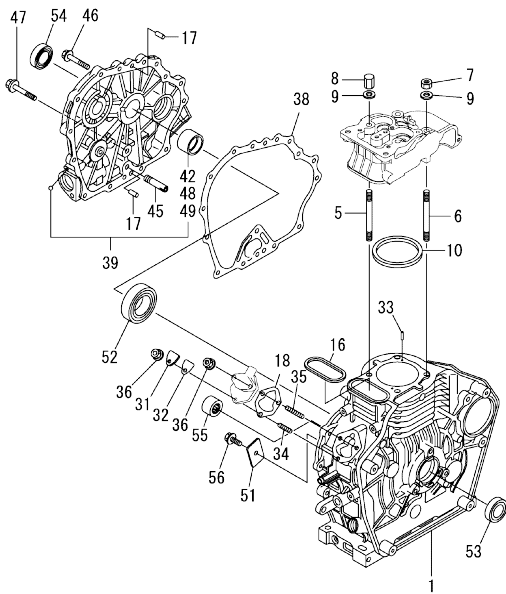
Published : September, 2019

## Contents

0CC50-M02210

Fig. No.	Fig. Name	Fig. No.	Fig. Name
ENGINE			
1.	CYLINDER BLOCK		
2.	DRAIN PLUG		
3.	LABEL		
4.	CYLINDER HEAD & BONNET		
5.	SUCTION MANIFOLD		
6.	AIR CLEANER		
7.	EXHAUST MUFFLER		
8.	CAMSHAFT		
9.	CRANKSHAFT		
10.	FLYWHEEL		
11.	PISTON & CONNECTING ROD		
12.	BALANCER SHAFT		
13.	LUB. OIL PUMP & GOVERNOR		
14.	SWITCH CAP(OIL PRESSURE)		
15.	COVER		
16.	COOLING FAN CASE		
17.	FUEL INJECTION PUMP & FUEL INJECTION VALVE		
18.	FUEL TANK & FUEL PIPE		
19.	CONTROL DEVICE		
20.	RECOIL STARTER		
21.	GASKET SET		

Fig.1. CYLINDER BLOCK



(A)=L48V6VAF3F8AACD  
(B)=  
(C)=

(D)=  
(E)=  
(F)=

No.	Lev.	Parts No.	Description	Q'ty						I	R
				(A)	(B)	(C)	(D)	(E)	(F)		
1	1	1141A0-01010	BLOCK ASSY, CYLINDER	1							
5	1	114299-01200	BOLT, HEAD A	2							
6	1	114299-01210	BOLT, HEAD B	2							
7	1	114299-01220	NUT, CYLINDER HEAD A	2							
8	1	114299-01230	NUT, CYLINDER HEAD B	2							
9	1	124950-01250	WASHER, HEAD BOLT	4							
10	1	114295-01330	GASKET, HEAD	1							
16	1	114299-01380	O-RING	1							
17	1	114299-01600	PIN, PARALLEL 8X12	2							
18	1	114299-01800	SHIM SET, PUMP	1							
31	1	114299-01830	COVER, PUMP	1							
32	1	114250-01841	GASKET, COVER	1							
33	1	22312-040080	PIN, PARALLEL M4X 8	2							
34	1	26226-060182	STUD, M6X 18	1							
35	1	26226-060222	STUD, M6X 22	2							
36	1	26366-060002	NUT, M6	3							
38	1	114299-01410	GASKET, CRANK CASE	1							
39	1	114111-01450	COVER, CRANK CASE D	1							
42	2	114740-02110	BEARING, MAIN	1							1
45	1	114299-35150	PIPE, OIL INLET	1							
46	1	26106-060252	BOLT, M6X 25 PLATED	14							
47	1	26106-080352	BOLT, M8X 35 PLATED	1							
48	1	114740-02200	BEARING, MAIN 0.25OS	1							2
49	1	114740-02210	BEARING, MAIN 0.50OS	1							3
51	1	114299-02030	RETAINER, BEARING	1							
52	1	114250-02113	BEARING, HR6306G3C3	1							
53	1	114299-02220	SEAL, OIL	1							
54	1	160210-02220	SEAL, OIL 25X41.2X8	1							
55	1	24162-152112	BEARING, 152112	1							
56	1	26106-080122	BOLT, M8X 12 PLATED	1							

Remarks  
 (1)Spare parts.  
 (2)Over-sized(O.S.=0.25) parts.  
 (3)Over-sized(O.S.=0.50) parts.

OCC50-M02210 ENGINE  
 Fig.2. DRAIN PLUG

OCC50-M02210 Fig.2

(A)=L48V6VAF3F8AACD  
 (B)=  
 (C)=

(D)=  
 (E)=  
 (F)=

No.	Lev.	Parts No.	Description	Q'ty						I	R
				(A)	(B)	(C)	(D)	(E)	(F)		
1	1	114299-01690	PLUG, DRAIN 16	2							
2	1	114299-01760	CAP ASSY, OIL SUPPLY	2							
4	2	114299-01950	O-RING, 18	2							
5	1	22190-160002	WASHER, SEAL 16	2							
7	1	114399-01700	COVER, STARTER	1							
8	1	26106-100122	BOLT, M10X 12 PLATED	2							

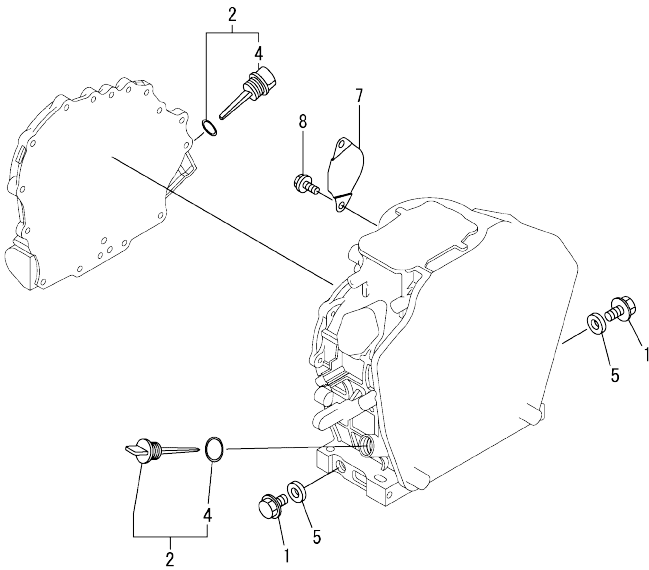
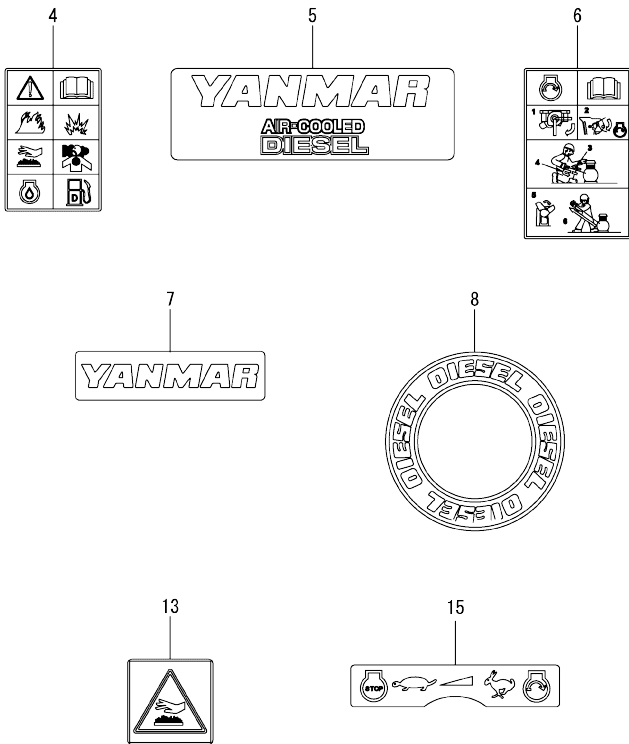


Fig.3. LABEL



(A)=L48V6VAF3F8AACD  
(B)=  
(C)=

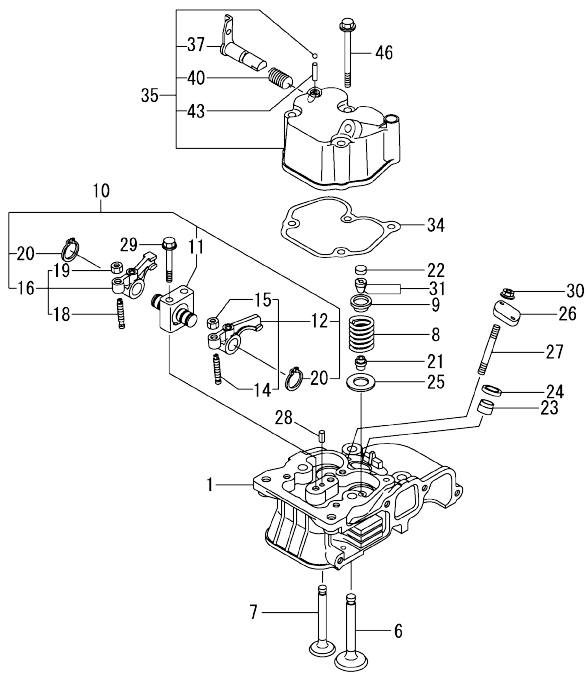
(D)=  
(E)=  
(F)=

No.	Lev.	Parts No.	Description	Q'ty					
				(A)	(B)	(C)	(D)	(E)	(F)
4	1	114220-07100	LABEL, CAUTION	1					
5	1	114299-07101	LABEL, YANMAR MARK A	1					
6	1	114220-07110	LABEL, HOW TO START	1					
7	1	114299-07111	LABEL, YANMAR MARK B	1					
8	1	114299-07160	LABEL, DIESEL	1					
13	1	114220-07130	LABEL, HOT SURFACE	1					
15	1	114220-07140	LABEL, CONTROL	1					

Fig.4. CYLINDER HEAD & BONNET

(A)=L48V6VAF3F8AACD  
(B)=  
(C)=

(D)=  
(E)=  
(F)=



No.	Lev.	Parts No.	Description	Q'ty						I	R
				(A)	(B)	(C)	(D)	(E)	(F)		
1	1	11429C-11030	HEAD ASSY, CYLINDER	1							
6	1	11429C-11100	VALVE, INTAKE	1							
7	1	11429C-11110	VALVE, EXHAUST	1							
8	1	114120-11120	SPRING, VALVE	2							
9	1	114250-11180	RETAINER, SPRING	2							
10	1	11429C-11250	SUPPORT ASSY, ROCKER	1							
11	2	11429C-11260	SUPPORT, ROCKER ARM	1							
12	2	11429C-11650	ARM ASSY, ROCKER INT	1							
14	3	114250-11240	SCREW, VALVE ADJUST	1							
15	3	26856-060002	NUT, M6	1							
16	2	11429C-11660	ARM ASSY, ROCKER EXH	1							
18	3	114250-11240	SCREW, VALVE ADJUST	1							
19	3	26856-060002	NUT, M6	1							
20	2	22242-000120	RING, 12	2							
21	1	114250-11341	SEAL, VALVE STEM	2							
22	1	119260-11370	CAP VALVE	2							
23	1	114240-11450	PROTECTOR, NOZZLE	1							
24	1	114240-11550	SEAT, NOZZLE	1							
25	1	114299-11600	WASHER, VALVE SPRING	2							
26	1	114299-11901	RETAINER, VALVE	1							
27	1	114110-11910	STUD, M6X65	2							
28	1	22351-040008	PIN, SPRING 4.0X 8	1							
29	1	26106-060452	BOLT, M6X 45 PLATED	2							
30	1	26366-060002	NUT, M6	2							
31	1	27310-055001	COTTER, 5.5	2							
34	1	114771-11310	GASKET, BONNET	1							
35	1	114295-11991	BONNET ASSY, HEAD	1							
37	2	114288-03590	DECOMPRESSION ASSY	1							
40	2	114299-03640	SPRING, DECOMPRESSION	1							
43	2	22312-030160	PIN, PARALLEL M3X16	1							
46	1	26106-060552	BOLT, M6X 55 PLATED	3							

Fig.5. SUCTION MANIFOLD

(A)=L48V6VAF3F8AACD  
(B)=  
(C)=

(D)=  
(E)=  
(F)=

No.	Lev.	Parts No.	Description	Q'ty					
				(A)	(B)	(C)	(D)	(E)	(F)
1	1	114771-12010	PIPE, AIR INTAKE A	1					
2	1	114771-12200	GASKET, INTAKE PIPE	1					
4	1	26106-060252	BOLT, M6X 25 PLATED	2					
5	1	26226-060142	STUD, M6X 14	1					
6	1	26226-060602	STUD, M6X 60	2					

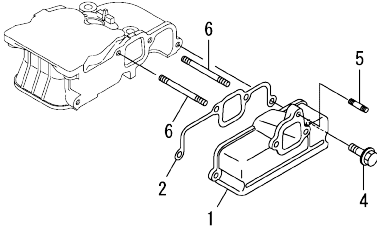
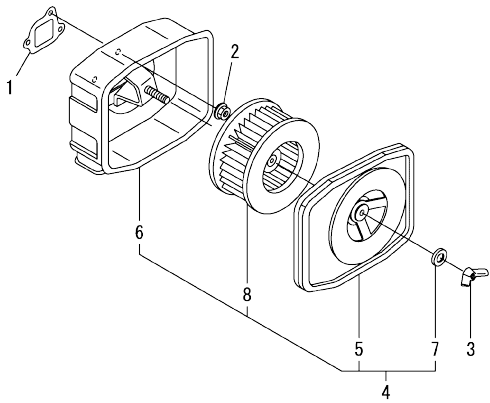




Fig.6. AIR CLEANER

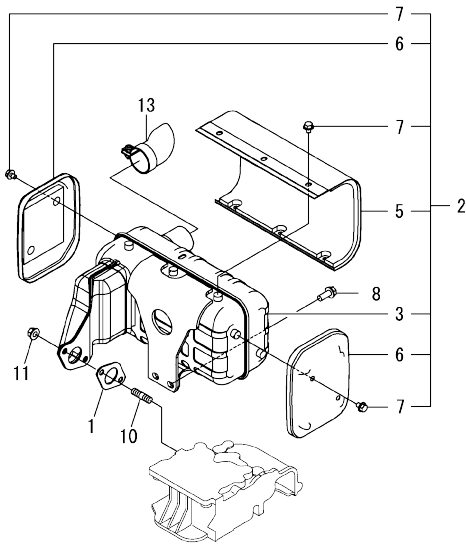


(A)=L48V6VAF3F8AACD  
(B)=  
(C)=

(D)=  
(E)=  
(F)=

No.	Lev.	Parts No.	Description	Q'ty					
				(A)	(B)	(C)	(D)	(E)	(F)
1	1	114299-12210	GASKET, AIR CLEANER	1					
2	1	114299-12300	NUT	3					
3	1	114252-12550	NUT, WING M8	1					
4	1	114120-12570	CLEANER ASSY, AIR	1					
5	2	114288-12520	COVER ASSY, CLEANER	1					
6	2	114288-12532	CASE ASSY, CLEANER	1					
7	2	114252-12560	WASHER, SEAL M8	1					
8	2	114650-12590	ELEMENT ASSY, AIR	1					

Fig.7. EXHAUST MUFFLER



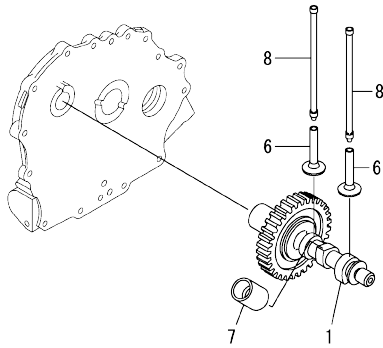
(A)=L48V6VAF3F8AACD  
(B)=  
(C)=

(D)=  
(E)=  
(F)=

No.	Lev.	Parts No.	Description	Q'ty						I	R
				(A)	(B)	(C)	(D)	(E)	(F)		
1	1	114299-13200	GASKET, MUFFLER	1							
2	1	1141A0-13500	MUFFLER ASSY	1							
3	2	1141A0-13560	MUFFLER	1							
5	2	1143A0-13700	COVER, MUFFLER A	1							
6	2	1143A0-13710	COVER, MUFFLER B	2							
7	2	114252-13950	BOLT, M6X8	10							
8	1	26106-080202	BOLT, M8X 20 PLATED	2							
10	1	26216-080182	STUD, M8X 18	2							
11	1	26306-080002	NUT, M8	2							
13	1	114320-13800	DEFLECTOR ASSY, EXH	1							

OCC50-M02210 ENGINE  
 Fig.8. CAMSHAFT

OCC50-M02210 Fig.8

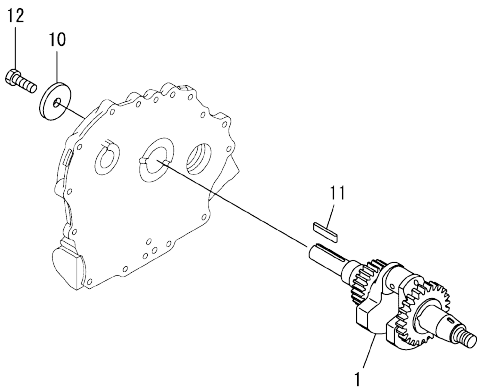


(A)=L48V6VAF3F8AACD  
 (B)=  
 (C)=

(D)=  
 (E)=  
 (F)=

No.	Lev.	Parts No.	Description	Q'ty					
				(A)	(B)	(C)	(D)	(E)	(F)
1	1	11429C-14580	CAMSHAFT ASSY	1					
6	1	114299-14200	TAPPET	2					
7	1	114771-14260	TAPPET	1					
8	1	114250-14451	ROD ASSY, PUSH	2					

Fig.9. CRANKSHAFT

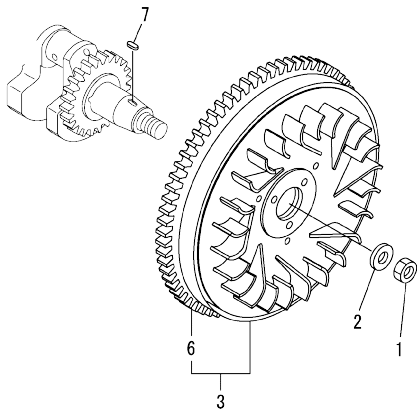


(A)=L48V6VAF3F8AACD  
(B)=  
(C)=

(D)=  
(E)=  
(F)=

No.	Lev.	Parts No.	Description	Q'ty					
				(A)	(B)	(C)	(D)	(E)	(F)
1	1	114120-21710	CRANKSHAFT ASSY,D	1					
10	1	160310-14550	WASHER, PULLEY	1					
11	1	22512-050300	KEY, 5X 30	1					
12	1	26106-080202	BOLT, M8X 20 PLATED	1					

OCC50-M02210 ENGINE  
 Fig.10. FLYWHEEL



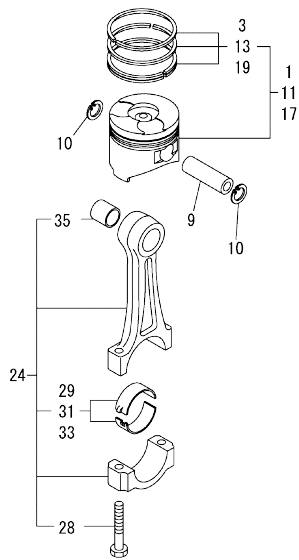
OCC50-M02210 Fig.10

(A)=L48V6VAF3F8AACD  
 (B)=  
 (C)=

(D)=  
 (E)=  
 (F)=

No.	Lev.	Parts No.	Description	Q'ty					
				(A)	(B)	(C)	(D)	(E)	(F)
1	1	114299-21220	NUT, WHEEL	1					
2	1	114299-21550	WASHER, FLYWHEEL	1					
3	1	114299-21590	FLYWHEEL ASSY, DE	1					
6	2	114299-21600	GEAR, RING	1					
7	1	22512-040120	KEY, 4X 12	1					

Fig.11. PISTON & CONNECTING ROD



(A)=L48V6VAF3F8AACD  
(B)=  
(C)=

(D)=  
(E)=  
(F)=

No.	Lev.	Parts No.	Description	Q'ty						I	R
				(A)	(B)	(C)	(D)	(E)	(F)		
1	1	714120-22720	PISTON ASSY, D	1							
3	2	714295-22500	RING SET, PISTON	1							
9	1	114299-22300	PIN, PISTON D=19	1							
10	1	22252-000190	RING, 19	2							
11	1	714120-22630	PISTON ASSY, 0.25 OS	1							1
13	2	714295-22560	RING SET, PISTON .25	1							1
17	1	714120-22590	PISTON ASSY, 0.50 OS	1							2
19	2	714295-22570	RING SET, PISTON .50	1							2
24	1	11412C-23700	ROD ASSY, CONNECTING	1							
28	3	114110-23200	BOLT, CONNECTING ROD	2							
29	2	114740-23600	METAL, CRANK PIN	1							
31	1	114740-23610	METAL, CRANK PIN 0.25	1							1
33	1	114740-23620	METAL, CRANK PIN 0.50	1							2
35	1	114740-23910	BUSH, PISTON PINN	1							3

Remarks

- (1)Over-sized(O.S.=0.25) parts.
- (2)Over-sized(O.S.=0.50) parts.
- (3)Spare parts.

Fig.12. BALANCER SHAFT

(A)=L48V6VAF3F8AACD  
(B)=  
(C)=

(D)=  
(E)=  
(F)=

No.	Lev.	Parts No.	Description	Q'ty					
				(A)	(B)	(C)	(D)	(E)	(F)
1	1	714770-28531	SHAFT ASSY, BALANCER	1					
6	1	24101-062020	BEARING, BALL 6202C3	2					

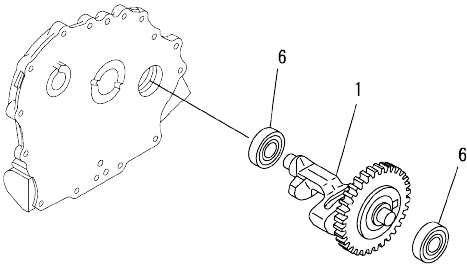
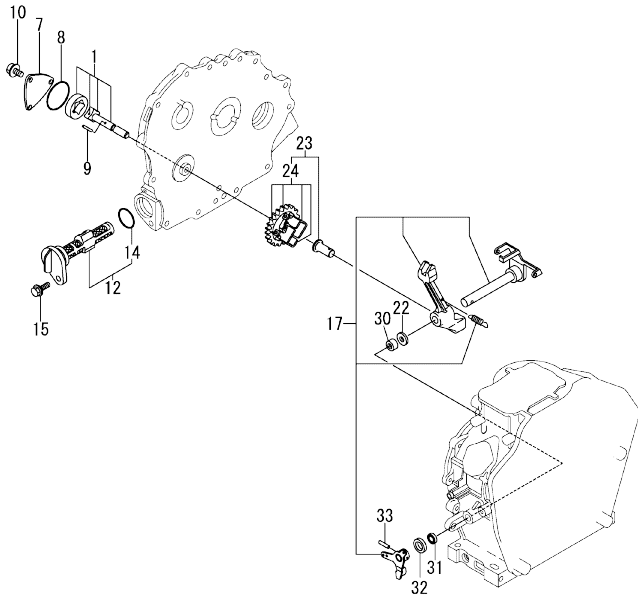


Fig.13. LUB. OIL PUMP & GOVERNOR



(A)=L48V6VAF3F8AACD  
(B)=  
(C)=

(D)=  
(E)=  
(F)=

No.	Lev.	Parts No.	Description	Q'ty						I	R
				(A)	(B)	(C)	(D)	(E)	(F)		
1	1	114250-32010	PUMP ASSY, OIL	1							
7	1	114299-32070	COVER, OIL PUMP	1							
8	1	114299-32570	O-RING, PUMP COVER	1							
9	1	22312-030160	PIN, PARALLEL M3X16	1							
10	1	26106-060122	BOLT, M6X 12 PLATED	3							
12	1	114299-35110	FILTER ASSY, OIL	1							
14	2	24341-000224	O-RING, 1AS22.4	1							
15	1	26106-060162	BOLT, M6X 16 PLATED	1							
17	1	114295-61170	LEVER, GOVERNOR NO.2	1							1
22	1	114299-61190	WASHER, GOVERNOR	1							
23	1	114299-61700	GOVERNOR ASSY	1							
24	2	114299-61210	WEIGHT ASSY, GOVERNOR	1							
30	1	114770-61520	BEARING, NEEDLE	2							
31	1	114299-61600	SEAL, OIL	1							
32	1	114770-61610	WASHER, THRUST	1							
33	1	22322-030200	PIN, TAPER 3X20	1							

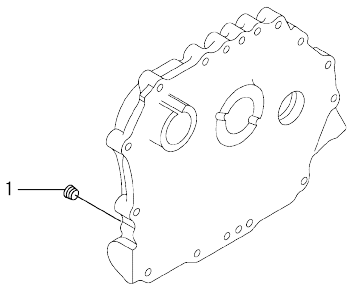
Remarks

(1) On a guarantee of quality, component parts shall not be sold.



OCC50-M02210 ENGINE

Fig.14. SWITCH CAP(OIL PRESSURE)



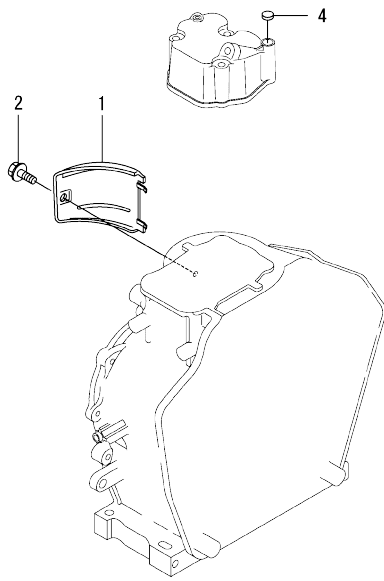
OCC50-M02210 Fig.14

(A)=L48V6VAF3F8AACD  
(B)=  
(C)=

(D)=  
(E)=  
(F)=

No.	Lev.	Parts No.	Description	Q'ty						I	R
				(A)	(B)	(C)	(D)	(E)	(F)		
1	1	23876-010000	PLUG, R01	1							

OCC50-M02210 ENGINE  
 Fig.15. COVER



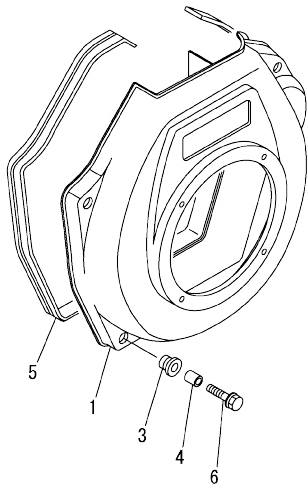
OCC50-M02210 Fig.15

(A)=L48V6VAF3F8AACD  
 (B)=  
 (C)=

(D)=  
 (E)=  
 (F)=

No.	Lev.	Parts No.	Description	Q'ty					
				(A)	(B)	(C)	(D)	(E)	(F)
1	1	114299-45210	COVER, CYLINDER	1					
2	1	26106-060122	BOLT, M6X 12 PLATED	1					
4	1	129100-61850	PLUG, BORE 12	1					

Fig.16. COOLING FAN CASE

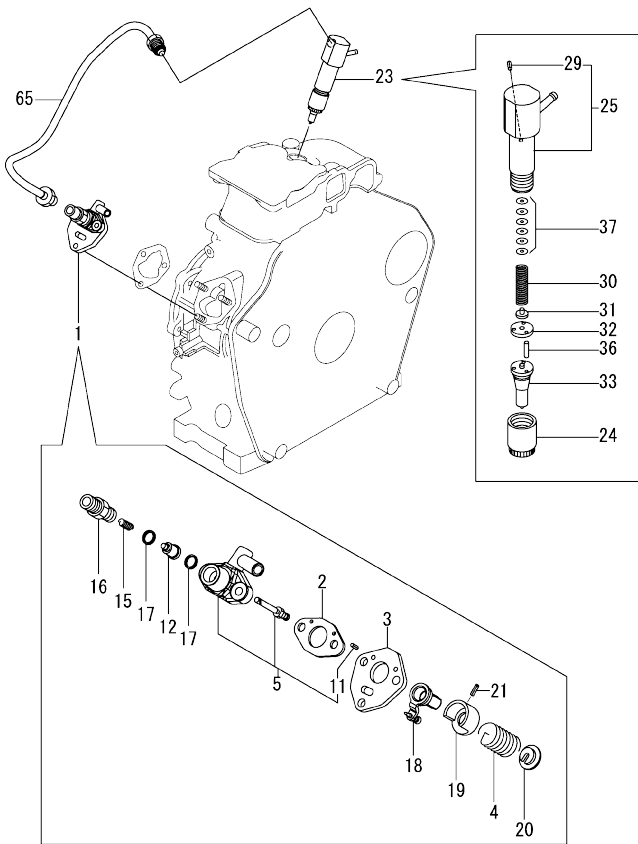


(A)=L48V6VAF3F8AACD  
(B)=  
(C)=

(D)=  
(E)=  
(F)=

No.	Lev.	Parts No.	Description	Qty						I	R
				(A)	(B)	(C)	(D)	(E)	(F)		
1	1	114295-45150	CASE, COOLING FAN	1							
3	1	114299-45301	RUBBER, FAN CASE	4							
4	1	114299-45310	COLLAR, FAN CASE	4							
5	1	114120-45330	SEAL, FAN CASE	1							
6	1	114299-45350	BOLT, FAN CASE	4							

Fig.17. FUEL INJECTION PUMP & FUEL INJECTION VALVE

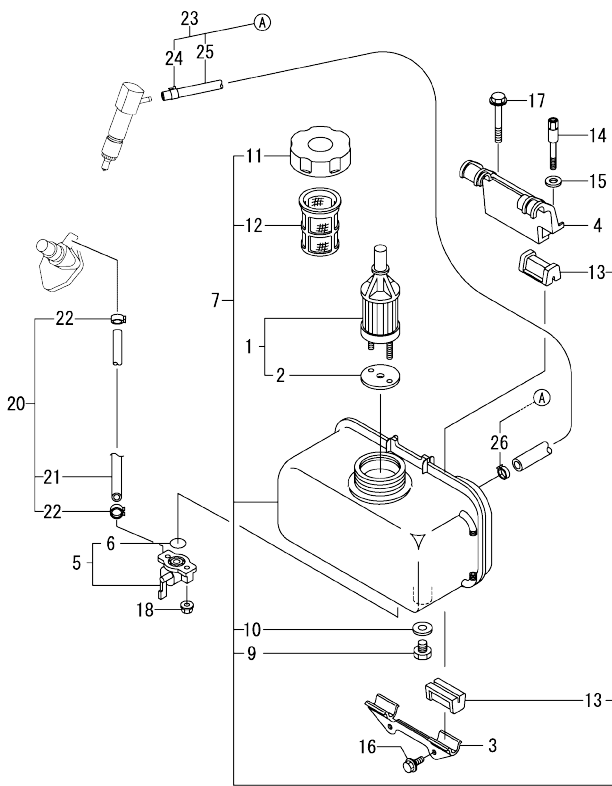


(A)=L48V6VAF3F8AACD  
(B)=  
(C)=

(D)=  
(E)=  
(F)=

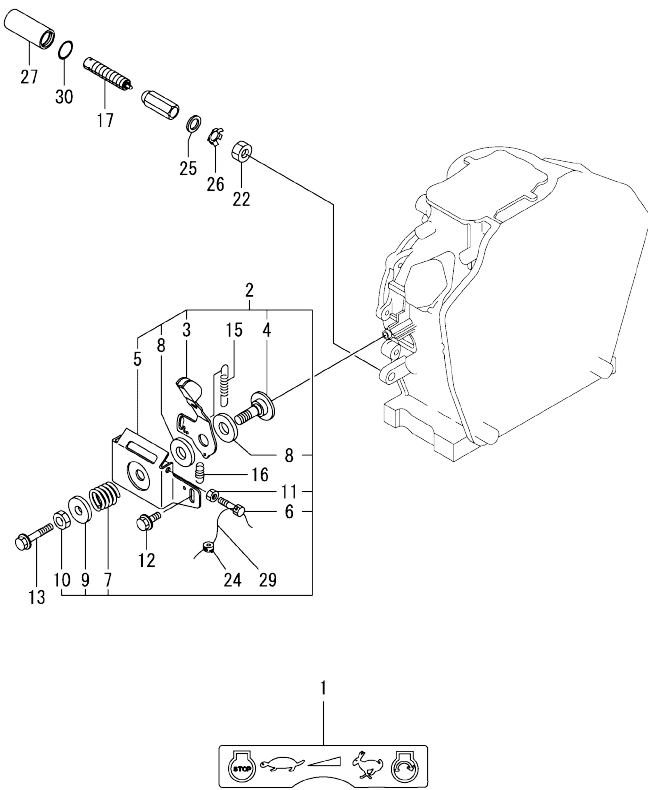
No.	Lev.	Parts No.	Description	Q'ty						I	R
				(A)	(B)	(C)	(D)	(E)	(F)		
1	1	714139-51200	PUMP ASSY, INJECTION	1							
2	2	105546-51020	GASKET, PUMP BODY	1							
3	2	114250-51080	PLATE	1							
4	2	114250-51160	SPRING, PLUNGER	1							
5	2	114350-51200	BODY ASSY, PUMP	1							
11	4	22351-020006	PIN, SPRING 2.0X 6	2							
12	2	114250-51300	VALVE ASSY, DELIVERY	1							
15	2	105546-51330	SPRING, DELIVERY	1							
16	2	114250-51340	HOLDER, DELIVERY	1							
17	2	124550-51350	GASKET, DELIVERY	2							
18	2	114250-51500	LEVER, CONTROL	1							
19	2	114250-51640	SEAT, SPRING A	1							
20	2	114250-51650	SEAT, SPRING B	1							
21	2	22351-030008	PIN, SPRING 3.0X 8	1							
23	1	7141A0-53100	VALVE ASSY, INJECTION	1							
24	2	114250-53080	NUT, NOZZLE	1							
25	2	114139-53100	HOLDER ASSY, NOZZLE	1							
29	3	22351-025005	PIN, SPRING 2.5X 6	1							
30	2	114250-53120	SPRING, NOZZLE	1							
31	2	114250-53130	SEAT, SPRING	1							
32	2	114250-53140	SPACER, VALVE STOP	1							
33	2	1141A0-53000	VALVE ASSY, INJECTION	1							
36	2	114250-53210	PIN, POSITIONING	2							
37	2	119803-53400	SHIM SET	1							
65	1	114120-59800	PIPE ASSY, INJECTION	1							

Fig.18. FUEL TANK & FUEL PIPE



No.	Lev.	Parts No.	Description	Q'ty						I	R
				(A)	(B)	(C)	(D)	(E)	(F)		
1	1	114250-55122	FILTER ASSY,FUEL OIL	1							
2	2	114250-55130	GASKET	1							
3	1	114299-55210	STAY, FUEL TANK A	1							
4	1	114299-55230	STAY, FUEL TANK B	1							
5	1	114240-55300	COCK ASSY, FUEL	1							
6	2	24311-000125	O-RING, 1AP12.5	1							
7	1	11412C-55710	TANK ASSY, FUEL	1							
9	2	114299-55080	PLUG, DRAIN	1							
10	2	23414-080000	GASKET, 8X1.0	1							
11	2	114299-55040	CAP ASSY, FUEL TANK	1							
12	2	114299-55110	STRAINER, FUEL TANK	1							
13	2	114740-55200	DAMPER, FUEL TANK	4							
14	1	114210-55810	BOLT, LIFTING	1							
15	1	22117-080000	WASHER, 8	1							
16	1	26106-060162	BOLT, M6X 16 PLATED	2							
17	1	26106-080452	BOLT, M8X 45 PLATED	1							
18	1	26366-060002	NUT, M6	2							
20	1	114780-59010	PIPE ASSY, FUEL L50	1							
21	2	114780-59060	PIPE, FUEL L=50	1							
22	2	23080-014000	CLAMP, 14	2							
23	1	114120-59301	PIPE ASSY, FO RETURN	1							
24	2	124722-59050	CLAMP, HOSE 9	1							
25	2	114650-59061	PIPE, FO RETURN	1							
26	2	124066-59100	CLAMP, HOSE 8	1							

Fig.19. CONTROL DEVICE



(A)=L48V6VAF3F8AACD  
(B)=  
(C)=

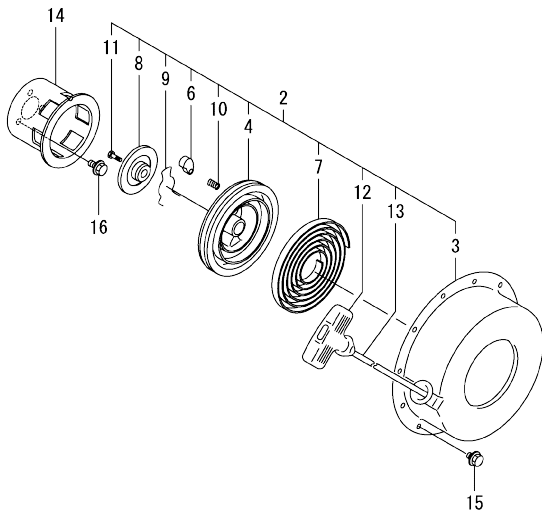
(D)=  
(E)=  
(F)=

No.	Lev.	Parts No.	Description	Q'ty						I	R
				(A)	(B)	(C)	(D)	(E)	(F)		
1	1	114220-07140	LABEL, CONTROL	1							
2	1	114210-66550	BRACKET ASSY, HANDLE	1							
3	2	114210-66070	HANDLE, REGULATOR	1							
4	2	183250-66070	SHAFT, HANDLE	1							
5	2	114210-66400	BRACKET, HANDLE	1							
6	2	114250-66440	BOLT, ADJUSTER	1							
7	2	104200-66820	SPRING, HANDLE	1							
8	2	104200-66831	PLATE, FRICTION	2							
9	2	104200-66850	WASHER, B	1							
10	2	26696-100002	NUT, LOCK M10	1							
11	2	26757-060002	NUT, LOCK M6	1							
12	1	26106-060142	BOLT, M6X 14 PLATED	1							
13	1	26106-060452	BOLT, M6X 45 PLATED	1							
15	1	114770-66010	SPRING, REGULATOR	1							
16	1	114299-66201	SPRING, RETURN	1							
17	1	114211-66600	LIMITER ASSY, FUEL	1							
22	1	26776-100002	NUT, LOCK M10	1							
24	1	114780-61090	TIN	1							
25	1	114771-61800	WASHER, PLAIN 10	1							
26	1	114771-61820	PLATE	1							
27	1	114771-61900	PROTECTOR	1							
29	1	22451-060000	WIRE, 0.6	1							
30	1	24311-000125	O-RING, 1AP12.5	1							

Fig.20. RECOIL STARTER

(A)=L48V6VAF3F8AACD  
(B)=  
(C)=

(D)=  
(E)=  
(F)=

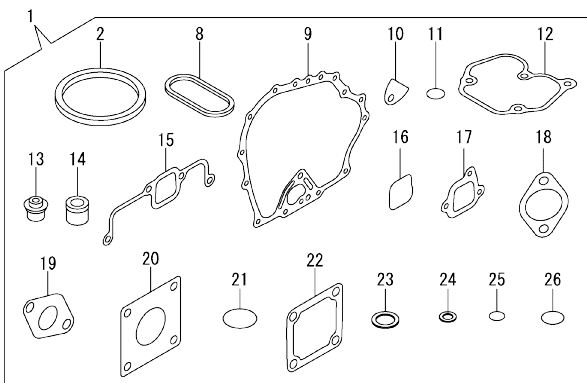


No.	Lev.	Parts No.	Description	Q'ty					
				(A)	(B)	(C)	(D)	(E)	(F)
2	2	114299-76250	STARTER ASSY, RECOIL	1					
3	3	114299-76500	CASE, STARTER	1					
4	3	114299-76521	REEL, RECOIL STARTER	1					
6	3	114399-76531	RATCHET	1					
7	3	114399-76540	SPRING, SPIRAL	1					
8	3	114399-76550	COVER, RATCHET	1					
9	3	114399-76560	SPRING	1					
10	3	114399-76570	SPRING, RETURN	1					
11	3	114399-76580	SCREW	1					
12	3	114399-76620	KNOB, STARTER	1					
13	3	114299-76630	ROPE, STARTER	1					
14	2	114299-76590	PULLEY, STARTER	1					
15	1	26106-060082	BOLT, M6X 8 PLATED	4					
16	1	26106-060122	BOLT, M6X 12 PLATED	3					

Fig.21. GASKET SET

(A)=L48V6VAF3F8AACD  
(B)=  
(C)=

(D)=  
(E)=  
(F)=



No.	Lev.	Parts No.	Description	Q'ty						I	R
				(A)	(B)	(C)	(D)	(E)	(F)		
1	1	114120-92600	GASKET SET	1							1
2	2	114295-01330	GASKET, HEAD	1							
8	2	114299-01380	O-RING	1							
9	2	114299-01410	GASKET, CRANK CASE	1							
10	2	114250-01841	GASKET, COVER	1							
11	2	114299-01950	O-RING, 18	2							
12	2	114771-11310	GASKET, BONNET	1							
13	2	114250-11341	SEAL, VALVE STEM	2							
14	2	114771-11461	GASKET, NOZZLE	1							
15	2	114771-12200	GASKET, INTAKE PIPE	1							
16	2	114288-12210	O-RING, SUCTION PIPE	1							
17	2	114299-12210	GASKET, AIR CLEANER	2							
18	2	114299-12920	GASKET, AIR CLEANER	1							
19	2	114299-13200	GASKET, MUFFLER	1							
20	2	114299-21980	GASKET, OIL SEAL	1							
21	2	114299-32570	O-RING, PUMP COVER	1							
22	2	129100-77510	GASKET, AIR HEATER	3							
23	2	22190-160002	WASHER, SEAL 16	2							
24	2	23414-080000	GASKET, 8X1.0	1							
25	2	24341-000150	O-RING, 1AS15.0	1							
26	2	24341-000224	O-RING, 1AS22.4	1							

Remarks  
(1)Optional parts.



## Parts No. Index

Parts No.	Fig. No.	Ref. No.	Parts No.	Fig. No.	Ref. No.	Parts No.	Fig. No.	Ref. No.	Parts No.	Fig. No.	Ref. No.
104200-66820	19	7	114250-51640	17	19	114299-13200	21	19	1143A0-13700	7	5
104200-66831	19	8	114250-51650	17	20	114299-14200	8	6	1143A0-13710	7	6
104200-66850	19	9	114250-53080	17	24	114299-21220	10	1	114650-12590	6	8
105546-51020	17	2	114250-53120	17	30	114299-21550	10	2	114650-59061	18	25
105546-51330	17	15	114250-53130	17	31	114299-21590	10	3	114740-02110	1	42
114110-11910	4	27	114250-53140	17	32	114299-21600	10	6	114740-02200	1	48
114110-23200	11	28	114250-53210	17	36	114299-21980	21	20	114740-02210	1	49
114111-01450	1	39	114250-55122	18	1	114299-22300	11	9	114740-23600	11	29
114120-11120	4	8	114250-55130	18	2	114299-32070	13	7	114740-23610	11	31
114120-12570	6	4	114250-66440	19	6	114299-32570	13	8	114740-23620	11	33
114120-21710	9	1	114252-12550	6	3		21	21	114740-23910	11	35
114120-45330	16	5	114252-12560	6	7	114299-35110	13	12	114740-55200	18	13
114120-59301	18	23	114252-13950	7	7	114299-35150	1	45	114770-61520	13	30
114120-59800	17	65	114288-03590	4	37	114299-45210	15	1	114770-61610	13	32
114120-92600	21	1	114288-12210	21	16	114299-45301	16	3	114770-66010	19	15
11412C-23700	11	24	114288-12520	6	5	114299-45310	16	4	114771-11310	4	34
11412C-55710	18	7	114288-12532	6	6	114299-45350	16	6		21	12
114139-53100	17	25	114295-01330	1	10	114299-55040	18	11	114771-11461	21	14
1141A0-01010	1	1		21	2	114299-55080	18	9	114771-12010	5	1
1141A0-13500	7	2	114295-11991	4	35	114299-55110	18	12	114771-12200	5	2
1141A0-13560	7	3	114295-45150	16	1	114299-55210	18	3		21	15
1141A0-53000	17	33	114295-61170	13	17	114299-55230	18	4	114771-14260	8	7
114210-55810	18	14	114299-01200	1	5	114299-61190	13	22	114771-61800	19	25
114210-66070	19	3	114299-01210	1	6	114299-61210	13	24	114771-61820	19	26
114210-66400	19	5	114299-01220	1	7	114299-61600	13	31	114771-61900	19	27
114210-66550	19	2	114299-01230	1	8	114299-61700	13	23	114780-59010	18	20
114211-66600	19	17	114299-01380	1	16	114299-66201	19	16	114780-59060	18	21
114220-07100	3	4		21	8	114299-76250	20	2	114780-61090	19	24
114220-07110	3	6	114299-01410	1	38	114299-76500	20	3	119260-11370	4	22
114220-07130	3	13		21	9	114299-76521	20	4	119803-53400	17	37
114220-07140	3	15	114299-01600	1	17	114299-76590	20	14	124066-59100	18	26
	19	1	114299-01690	2	1	114299-76630	20	13	124550-51350	17	17
114240-11450	4	23	114299-01760	2	2	11429C-11030	4	1	124722-59050	18	24
114240-11550	4	24	114299-01800	1	18	11429C-11100	4	6	124950-01250	1	9
114240-55300	18	5	114299-01830	1	31	11429C-11110	4	7	129100-61850	15	4
114250-01841	1	32	114299-01950	2	4	11429C-11250	4	10	129100-77510	21	22
	21	10		21	11	11429C-11260	4	11	160210-02220	1	54
114250-02113	1	52	114299-02030	1	51	11429C-11650	4	12	160310-14550	9	10
114250-11180	4	9	114299-02220	1	53	11429C-11660	4	16	183250-66070	19	4
114250-11240	4	14	114299-03640	4	40	11429C-14580	8	1	22117-080000	18	15
		18	114299-07101	3	5	114320-13800	7	13	22190-160002	2	5
114250-11341	4	21	114299-07111	3	7	114350-51200	17	5		21	23
	21	13	114299-07160	3	8	114399-01700	2	7	22242-000120	4	20
114250-14451	8	8	114299-11600	4	25	114399-76531	20	6	22252-000190	11	10
114250-32010	13	1	114299-11901	4	26	114399-76540	20	7	22312-030160	4	43
114250-51080	17	3	114299-12210	6	1	114399-76550	20	8		13	9
114250-51160	17	4		21	17	114399-76560	20	9	22312-040080	1	33
114250-51300	17	12	114299-12300	6	2	114399-76570	20	10	22322-030200	13	33
114250-51340	17	16	114299-12920	21	18	114399-76580	20	11	22351-020006	17	11
114250-51500	17	18	114299-13200	7	1	114399-76620	20	12	22351-025005	17	29

## Parts No. Index

Parts No.	Fig. No.	Ref. No.
22351-030008	17	21
22351-040008	4	28
22451-060000	19	29
22512-040120	10	7
22512-050300	9	11
23080-014000	18	22
23414-080000	18	10
	21	24
23876-010000	14	1
24101-062020	12	6
24162-152112	1	55
24311-000125	18	6
	19	30
	21	25
24341-000150	13	14
24341-000224	21	26
26106-060082	20	15
26106-060122	13	10
	15	2
	20	16
26106-060142	19	12
26106-060162	13	15
	18	16
26106-060252	1	46
	5	4
26106-060452	4	29
	19	13
26106-060552	4	46
26106-080122	1	56
26106-080202	7	8
	9	12
26106-080352	1	47
26106-080452	18	17
26106-100122	2	8
26216-080182	7	10
26226-060142	5	5
26226-060182	1	34
26226-060222	1	35
26226-060602	5	6
26306-080002	7	11
26366-060002	1	36
	4	30
	18	18
26696-100002	19	10
26757-060002	19	11
26776-100002	19	22
26856-060002	4	15
		19
27310-055001	4	31
714120-22590	11	17

Parts No.	Fig. No.	Ref. No.
714120-22630	11	11
714120-22720	11	1
714139-51200	17	1
7141A0-53100	17	23
714295-22500	11	3
714295-22560	11	13
714295-22570	11	19
714770-28531	12	1

Parts No.	Fig. No.	Ref. No.
-----------	----------	----------

Parts No.	Fig. No.	Ref. No.
-----------	----------	----------