

PARTS CATALOG

MITSUBISHI MEIKI
AIR-COOLED
GASOLINE ENGINE

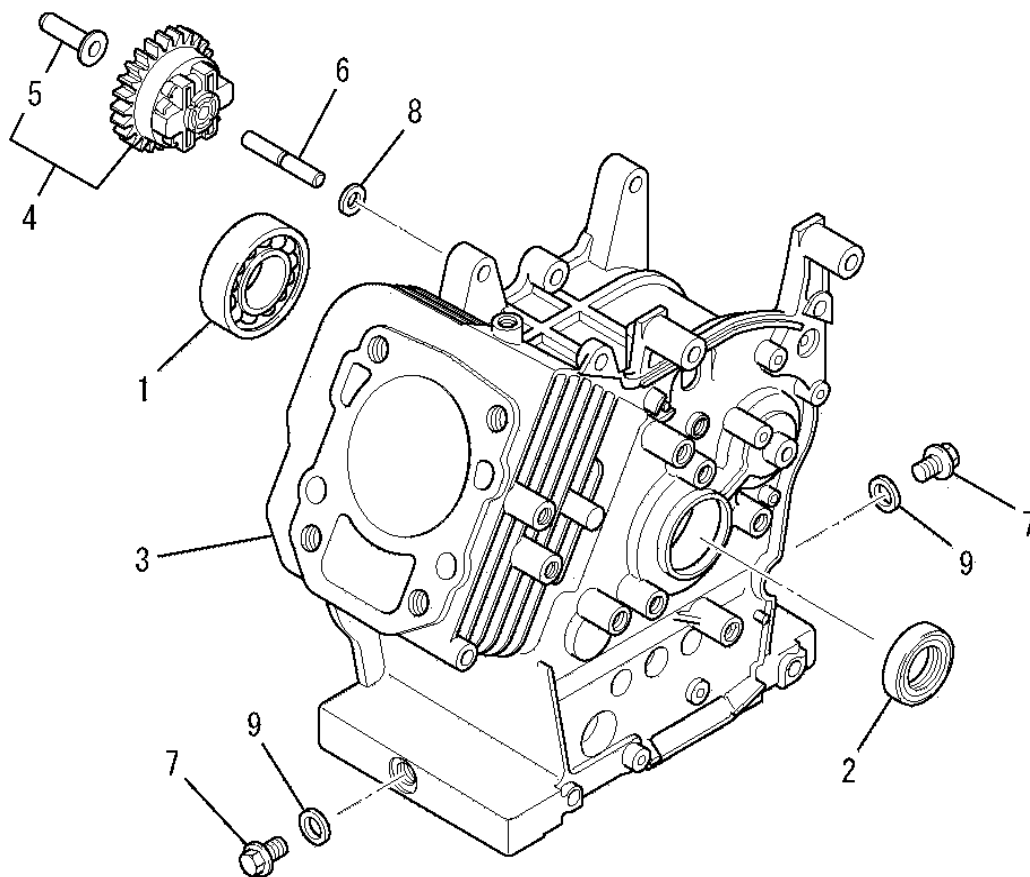
MODEL GT400PN-RTK

ご注文の際は部品番号の前にZMをご記入下さい。

JAN., 2011

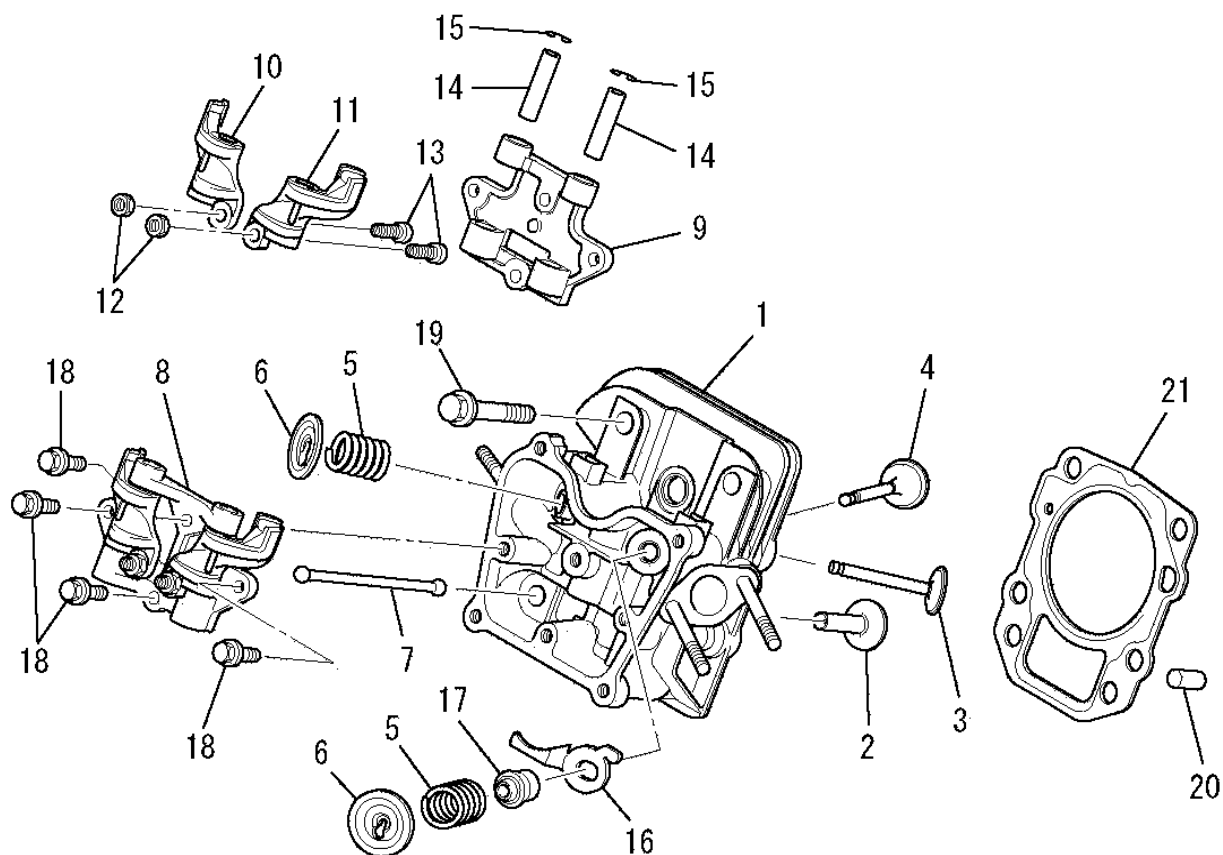
MITSUBISHI HEAVY INDUSTRIES, LTD.

(A) CYLINDER BLOCK GROUP



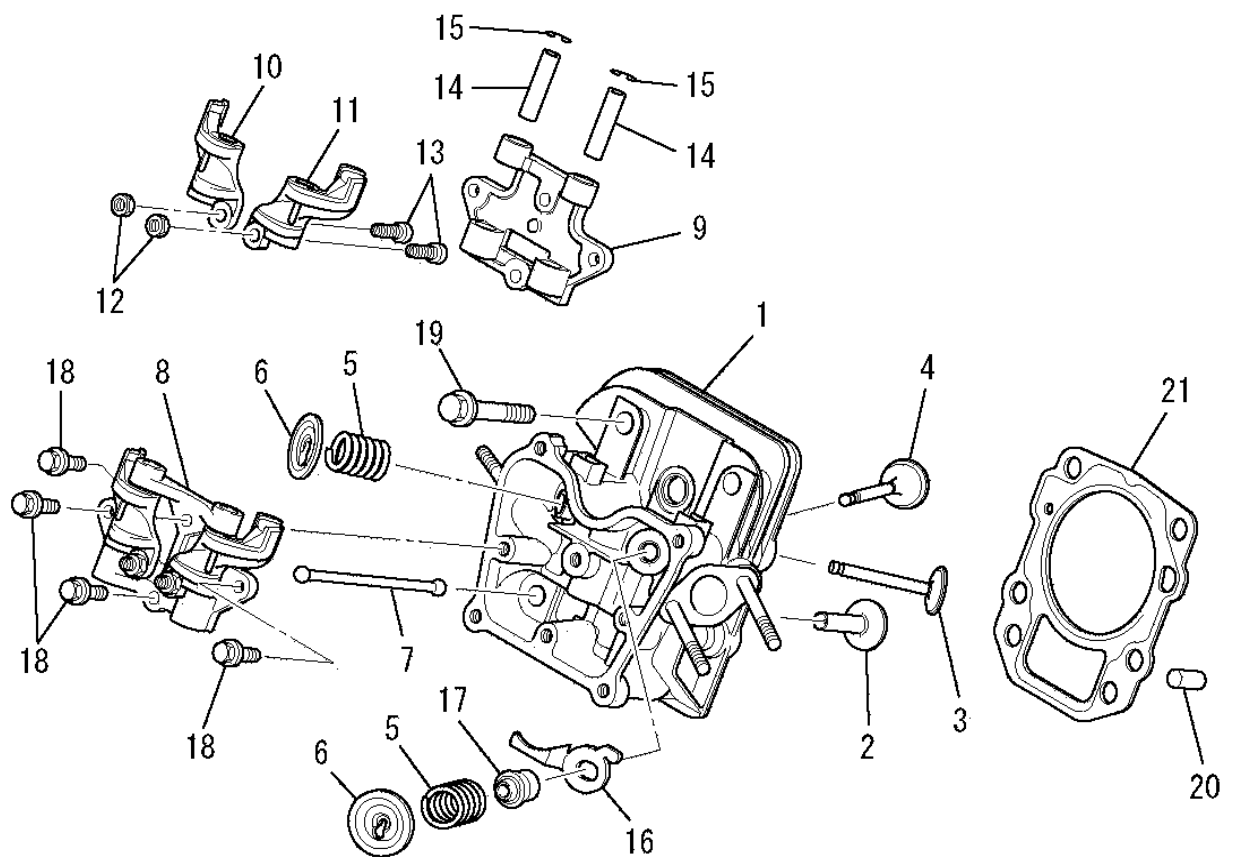
No.	R/N	Parts No.	Parts Name	No. Req'd	Inte	Remarks	Serial No. (From~To)
1		LW11025AA	BEARING, BALL	1			
2		LW23008AA	OIL SEAL	1			
3		LB43011AA	CYLINDER BLOCK	1			
4		LG01008BA	GOVERNOR GEAR ASSY	1		INCL. NO. 5	
5		LG14005AA	SLIDER, GOV	1			
6		LG22022AA	SHAFT, GOV	1			
7		LL22003AA	PLUG, DRAIN	2			
8		LW200H06	WASHER	1			
9		LW39070AA	GASKET	2			

(B) CYLINDER HEAD GROUP



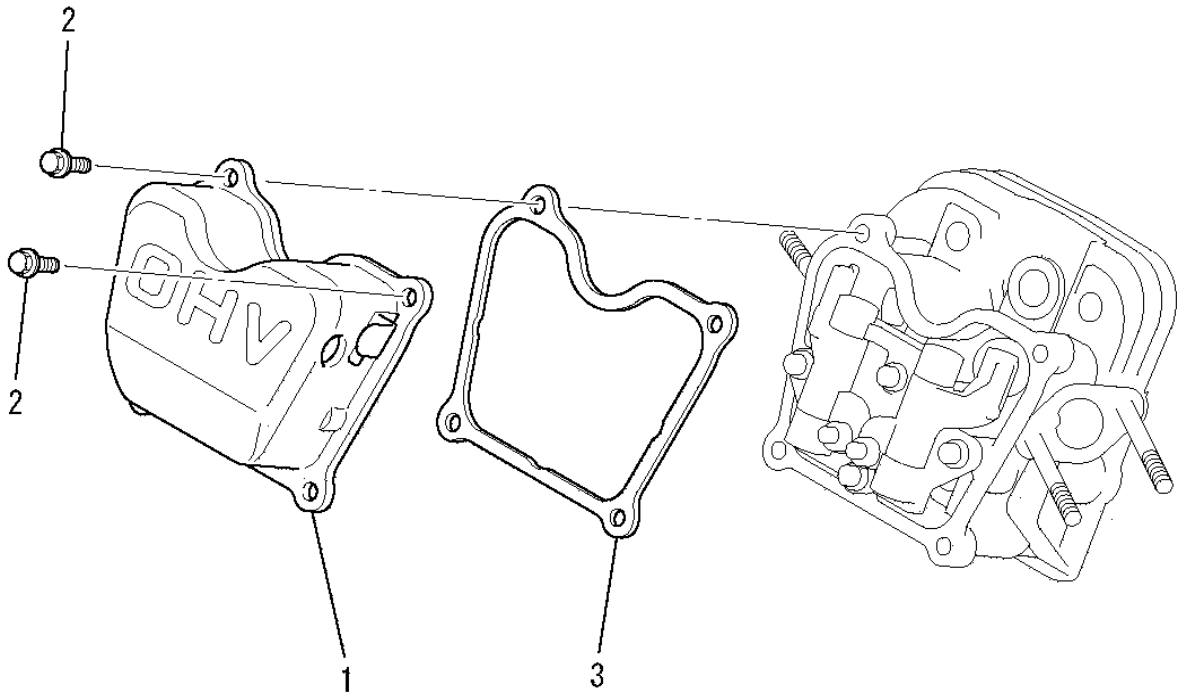
No.	R/N	Parts No.	Parts Name	No. Req'd	Inte	Remarks	Serial No. (From~To)
1		LC02057AA	CYLINDER HEAD ASSY	1		WITH LB151B06075	
2		LV24011AA	TAPPET	2			
3		LV43008AA	VALVE, EXHAUST	1			
4		LV33004AA	VALVE, INTAKE	1			
5		LV54002AA	SPRING, VALVE	2			
6		LV64004AA	RETAINER, VALVE SPG	2			
7		LV71009AA	ROD, PUSH	2			
8		LV02004AA	ROCKER ARM ASSY	1		INCL. NO. 9-15	
9		LV74006AA	PLATE	1			
10		LV72016AA	ARM, ROCKER	1			
11		LV72017AA	ARM, ROCKER	1			
12		LU23013AA	NUT	2			

(B) CYLINDER HEAD GROUP



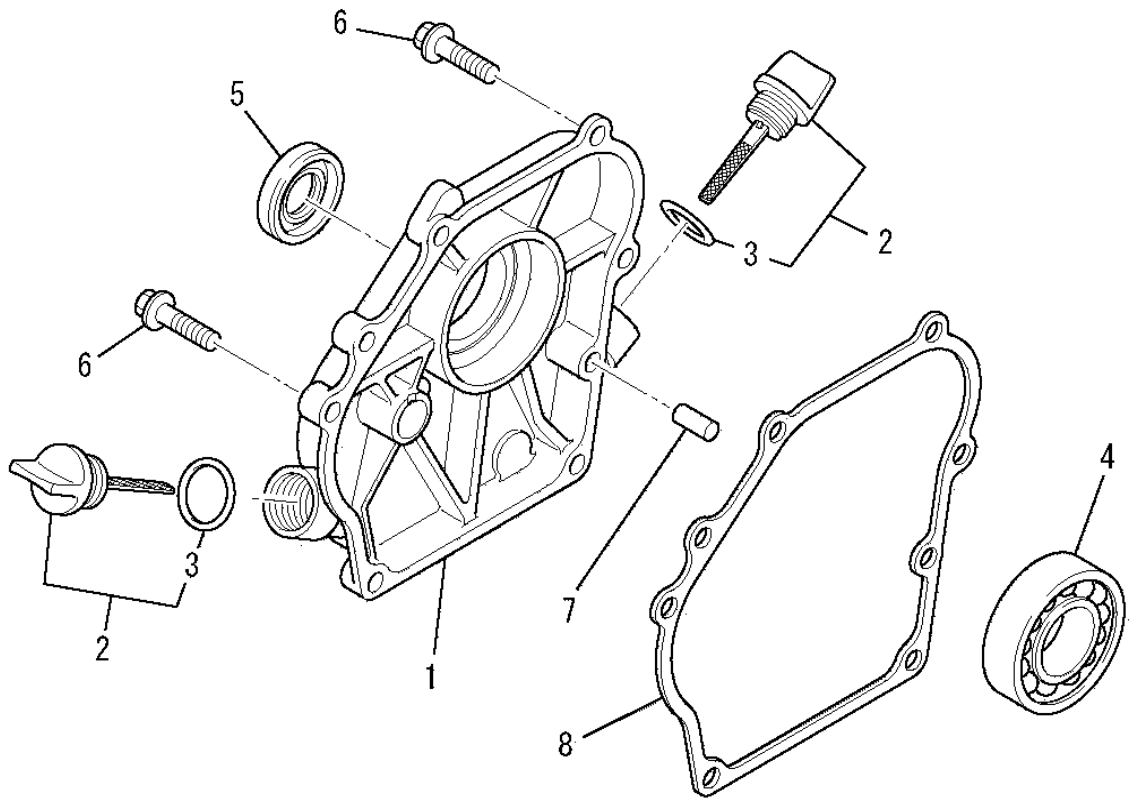
No.	R/N	Parts No.	Parts Name	No. Req'd	Inte	Remarks	Serial No. (From~To)
13		LV73005AA	SCREW, ADJUST	2			
14		LV75009BA	SHAFT	2			
15		LFR34111	CLIP, PISTON PIN	2			
16		LV90029AA	PLATE	1			
17		LW21023AA	SEAL, VALVE STEM	1			
18		LB800A06016	BOLT, FLANGE	4			
19		LB800B08055	BOLT, FLANGE	4			
20		LU44001AA	PIN, DOWEL	2			
21		LC66014AA	GASKET, HEAD	1			

(C) HEAD COVER GROUP



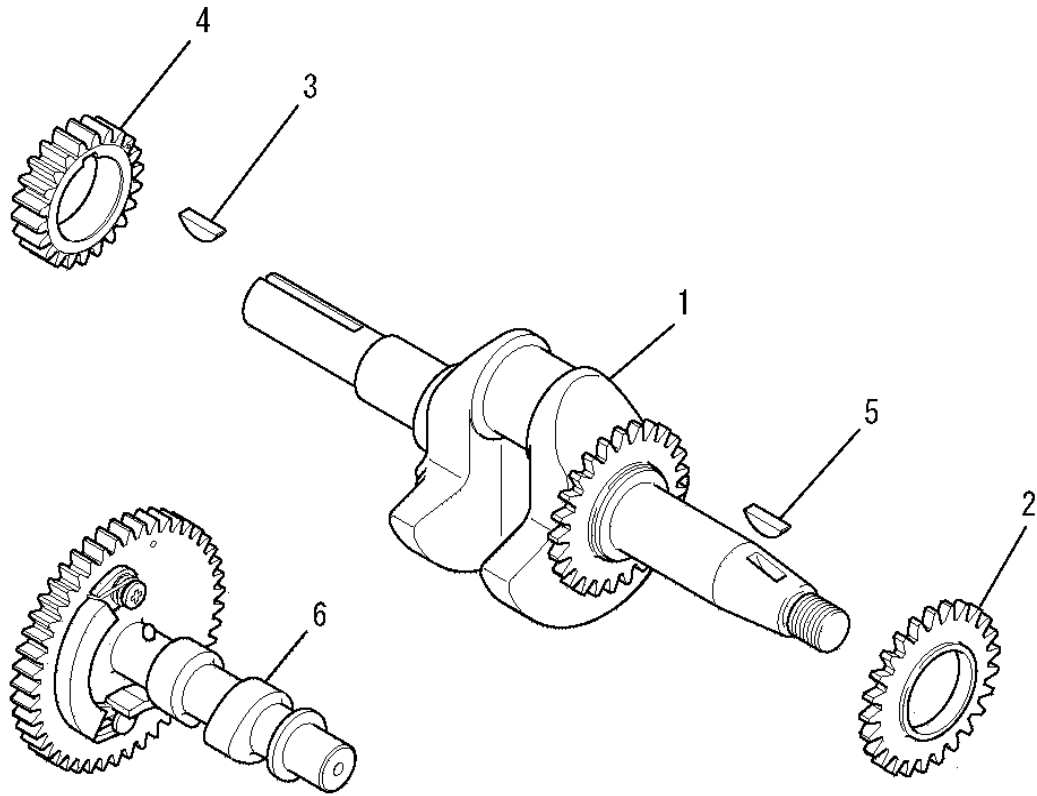
No.	R/N	Parts No.	Parts Name	No. Req'd	Inte	Remarks	Serial No. (From~To)
1		LC09013AA	COVER, HEAD	1			
2		LB800A06012	BOLT, FLANGE	4			
3		LW33006AA	GASKET, HEAD COVER	1			

(D) CASE COVER GROUP



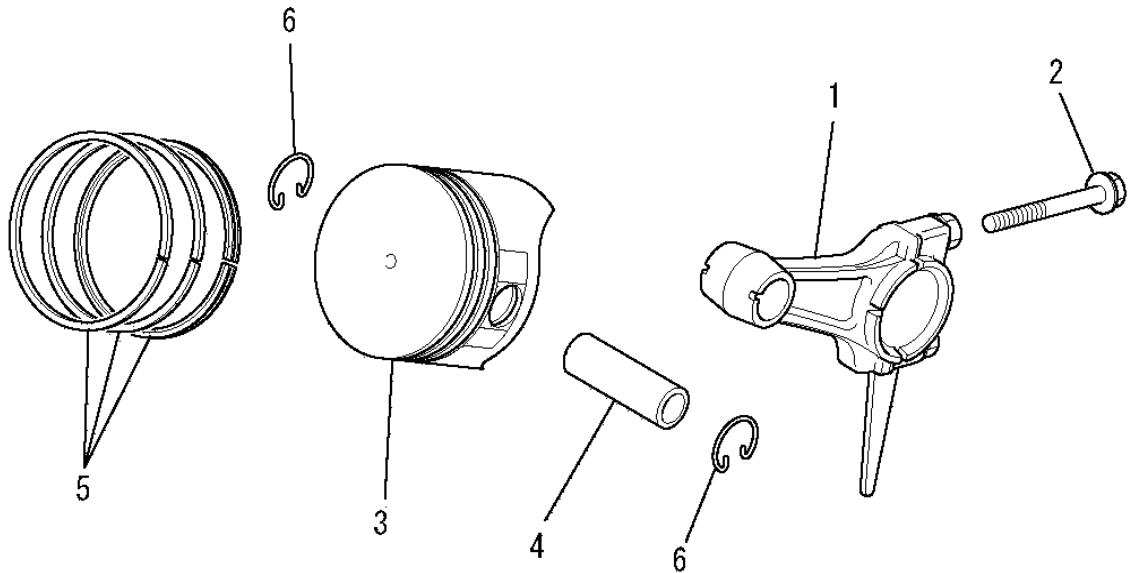
No.	R/N	Parts No.	Parts Name	No. Req'd	Inte	Remarks	Serial No. (From~To)
1		LB63004AA	COVER, CRANKCASE	1			
2		LL21016BA	GAUGE, OIL	2		INCL. NO. 3	
3		LW23003AA	O-RING	2			
4		LW11019AA	BEARING, BALL	1			
5		LW23009AA	OIL SEAL	1			
6		LB800B08030	BOLT, FLANGE	6			
7		LU44001AA	PIN, DOWEL	2			
8		LW31014AA	GASKET, CRANKCASE	1			

(E) CRANKSHAFT GROUP



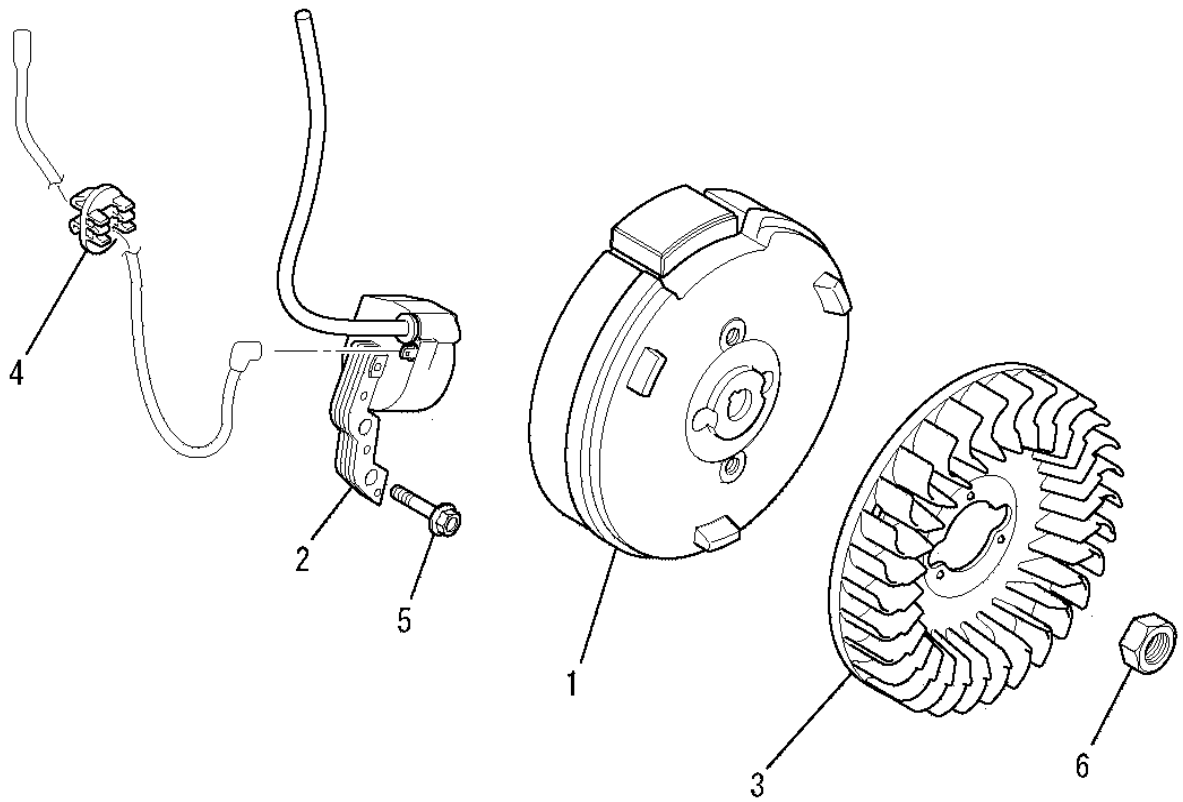
No.	R/N	Parts No.	Parts Name	No. Req'd	Inte	Remarks	Serial No. (From~To)
1		LD02068AA	CRANKSHAFT ASSY	1		INCL. NO. 2, 3	
2		LD63048AA	GEAR	1			
3		LW430B05X016	KEY, WOODRUFF	1			
4		LD62020AA	GEAR, CRANKSHAFT	1			
5		LW430B05X016	KEY, WOODRUFF	1			
6		LV01205AA	CAMSHAFT GEAR ASSY	1			

(F) PISTON & ROD GROUP



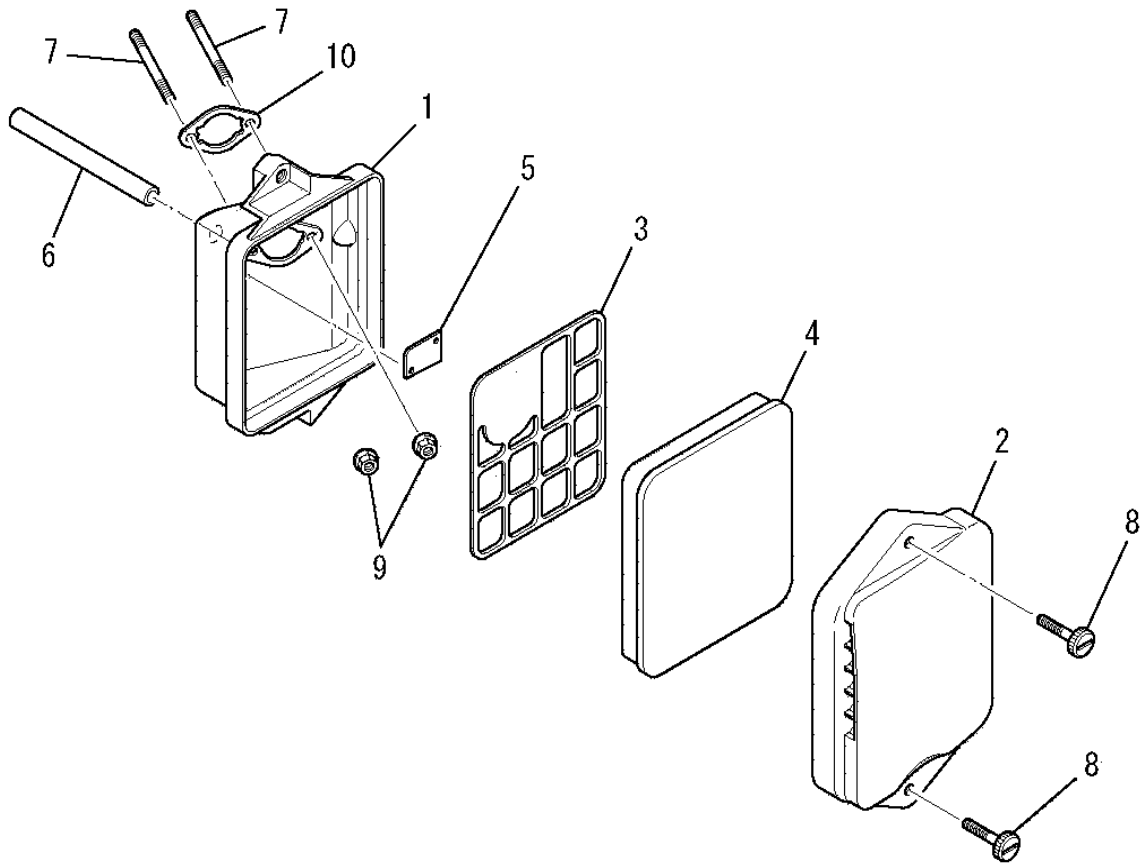
No.	R/N	Parts No.	Parts Name	No. Req'd	Inte	Remarks	Serial No. (From~To)
1		LD03030AA	CONNECTING ROD ASSY	1		STD INCL. NO. 2	
1	1	LD03030BA	CONNECTING ROD ASSY	1		US 0.25 INCL. NO. 2	
1	2	LD03030CA	CONNECTING ROD ASSY	1		US 0.50 INCL. NO. 2	
2		LB800B06030	BOLT, FLANGE	2			
3		LP16011AA	PISTON	1		STD	
3	1	LP16011BA	PISTON	1		OS 0.25	
3	2	LP16011CA	PISTON	1		OS 0.50	
4		LP55003BA	PIN, PISTON	1			
5		LP02017AA	PISTON RING SET	1		STD	
5	1	LP02017BA	PISTON RING SET	1		OS 0.25	
5	2	LP02017CA	PISTON RING SET	1		OS 0.50	
6		LP90002AA	CLIP, PISTON PIN	2			

(G) MAGNETO GROUP



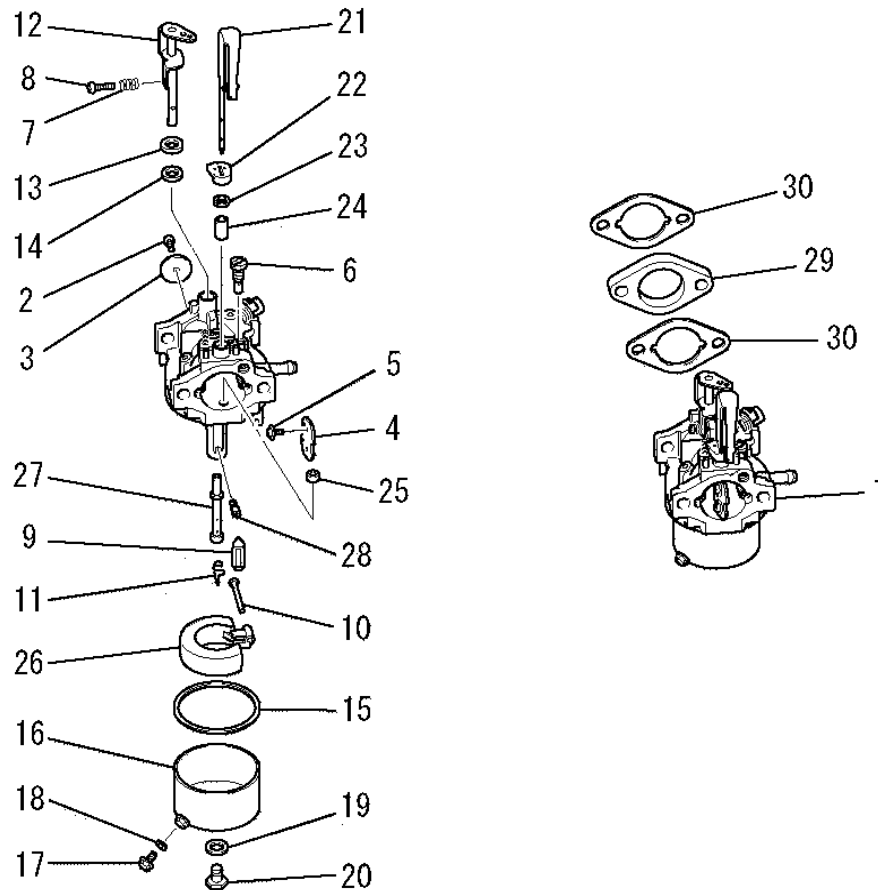
No.	R/N	Parts No.	Parts Name	No. Req'd	Inte	Remarks	Serial No. (From~To)
1		LE12040AA	FLYWHEEL	1			
2		LE24020AA	COIL, IGNITION	1			
3		LE90201AA	FAN	1			
4		LU70007AA	CLIP	1			
5		LB800A06020	BOLT, FLANGE	2			
6		LFR41231	NUT	1			

(H) AIR CLEANER GROUP



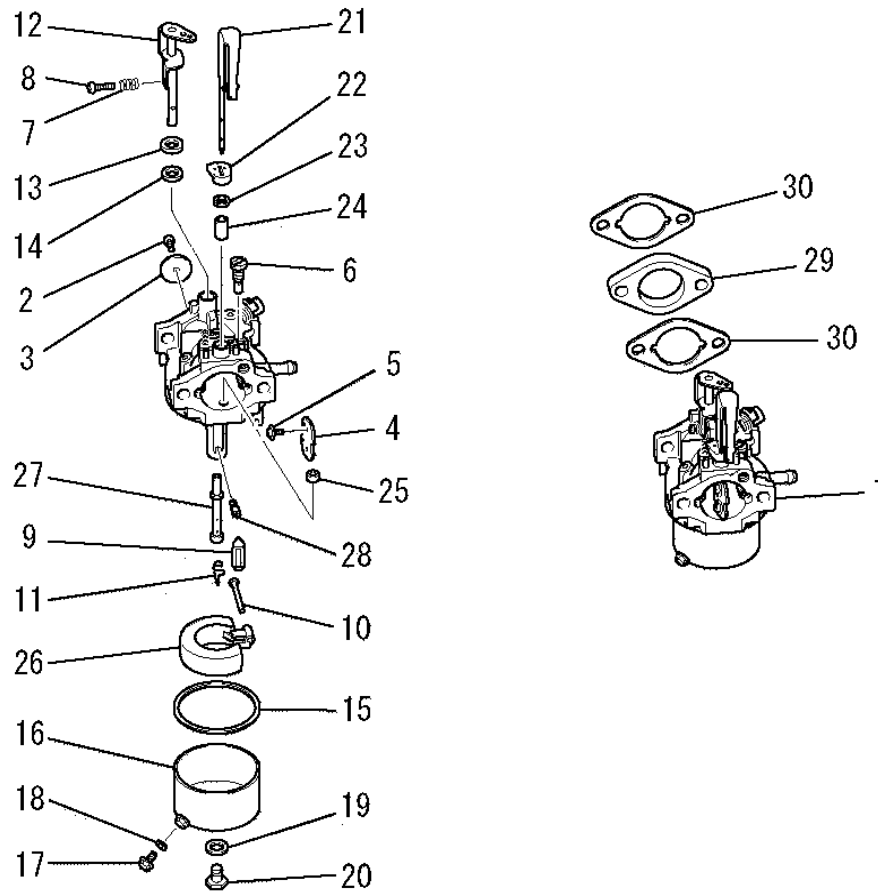
No.	R/N	Parts No.	Parts Name	No. Req'd	Inte	Remarks	Serial No. (From~To)
1		LA11022AA	CASE, CLEANER	1			
2		LA20070AA	COVER, CLEANER	1			
3		LA30024BA	GRID	1			
4		LA40074AA	ELEMENT, CLEANER	1			
5		LA90122AA	PLATE	1			
6		LL41005BA	TUBE, BREATHER	1			
7		LB151B06075	BOLT, STUD	2			
8		LA90124AA	BOLT	2			
9		LN801A06	NUT, FLANGE	2			
10		LW34054AA	GASKET, CARBURETOR	1			

(I) CARBURETOR GROUP



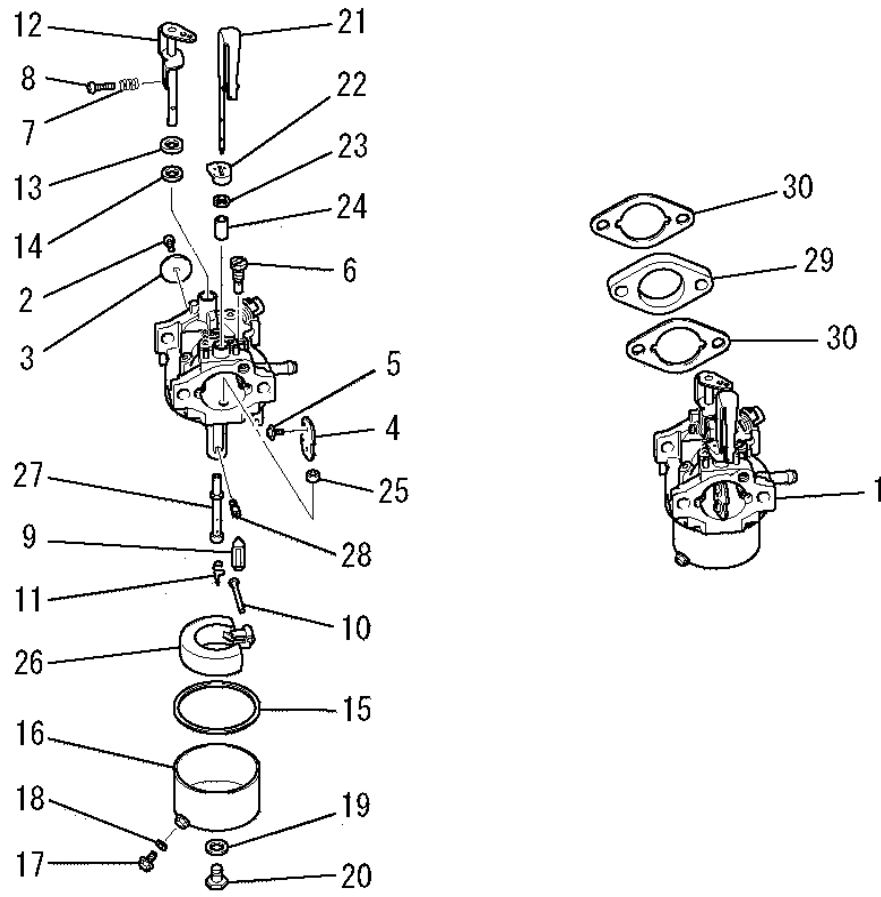
No.	R/N	Parts No.	Parts Name	No. Req'd	Inte	Remarks	Serial No. (From~To)
1		LK12049EB	CARBURETOR (F)	1		INCL. NO. 2-28	
2		LK15016AA003	SCREW	1			
3		LFR42870X023	VALVE, THROTTLE	1			
4		LK12049EB004	VALVE, CHOKE	1			
5		LK15016AA005	SCREW	2			
6		LFR53004X014	JET, PILOT	1			
7		LK13018AA026	SPRING	1			
8		LK13018AA027	SCREW	1			
9		LK12008AE110	VALVE, NEEDLE	1			
10		LK12008AE012	PIN	1			
11		LK12008AE011	CLIP	1			
12		LK12042AB014	SHAFT, THROTTLE	1			

(I) CARBURETOR GROUP



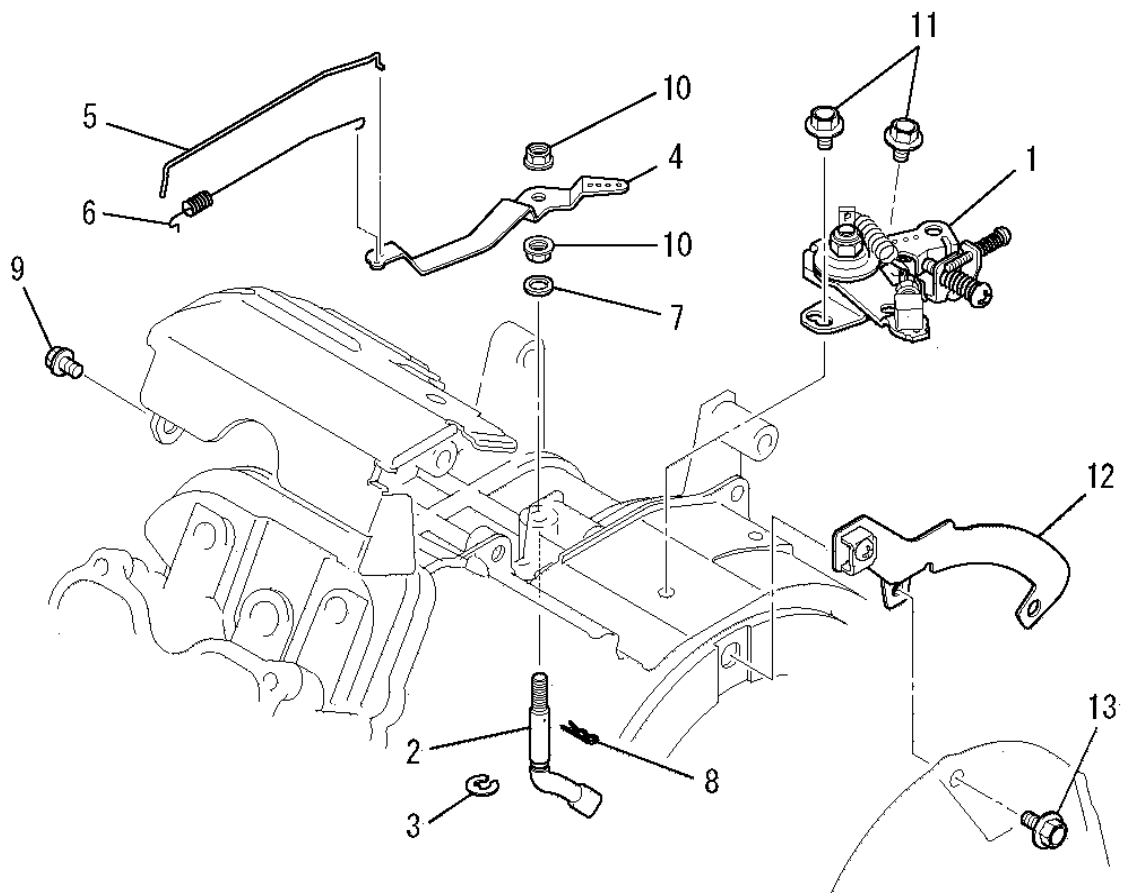
No.	R/N	Parts No.	Parts Name	No. Req'd	Inte	Remarks	Serial No. (From~To)
13		LK12008AE015	PACKING	1			
14		LK12008AE016	SEAL	1			
15		LK14001AA018	PACKING	1			
16		LK13023DB015	CHAMBER, FLOAT	1		INCL. NO. 17, 18	
17		LK13023DB028	BOLT	1			
18		LK13018AB001	PACKING	1			
19		LK12008AE026	PACKING	1			
20		LK13018AA017	BOLT	1			
21		LK12015DX017	LEVER, CHOKE	1			
22		LK12008AE018	RING	1			
23		LK12008AE019	SEAL	1			
24		LK12008AE020	RING	1			

(I) CARBURETOR GROUP



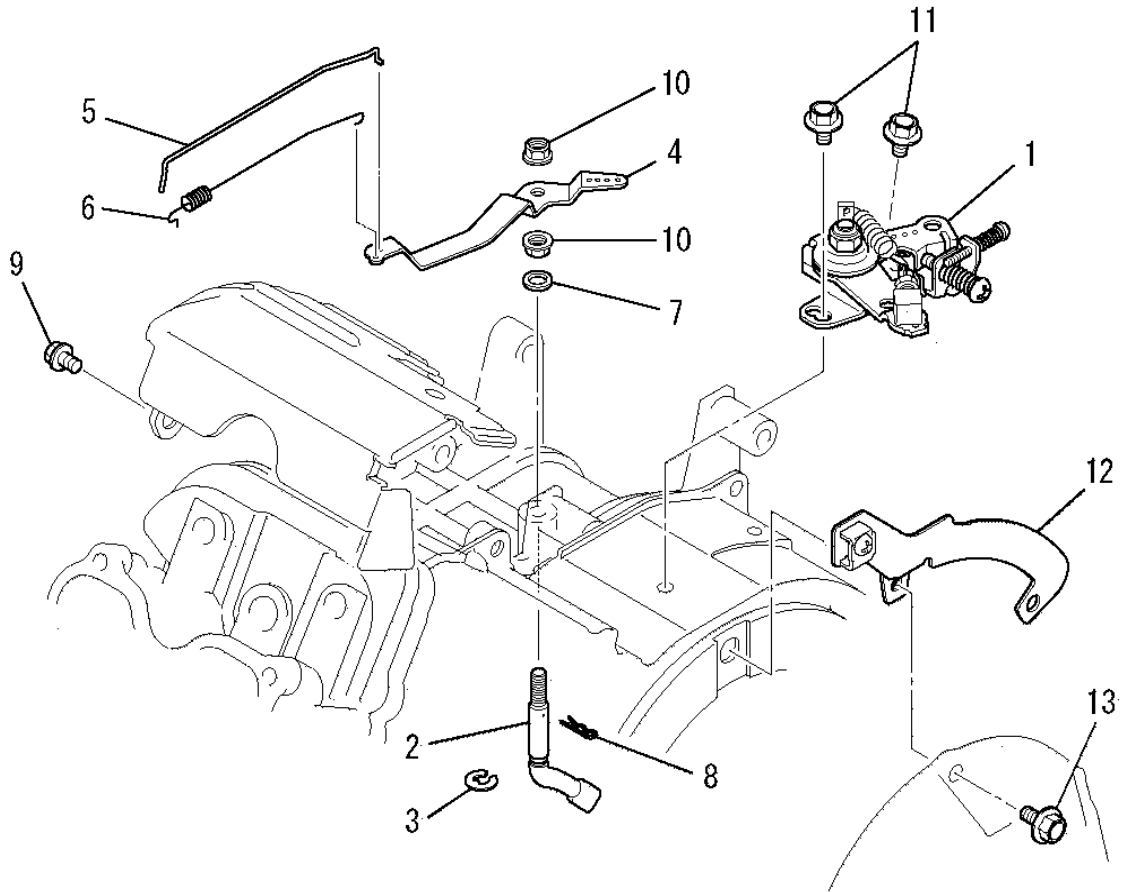
No.	R/N	Parts No.	Parts Name	No. Req'd	Inte	Remarks	Serial No. (From~To)
25		LK12008AE021	RING	1			
26		LK12008AE013	FLOAT	1			
27		LK74524BD015	NOZZLE, MAIN	1			
28		LK74525CA750	JET, MAIN	1			
29		LK33005AA	INSULATOR	1			
30		LW34029AA	GASKET, CARBURETOR	2			

(J) CONTROL PANEL GROUP



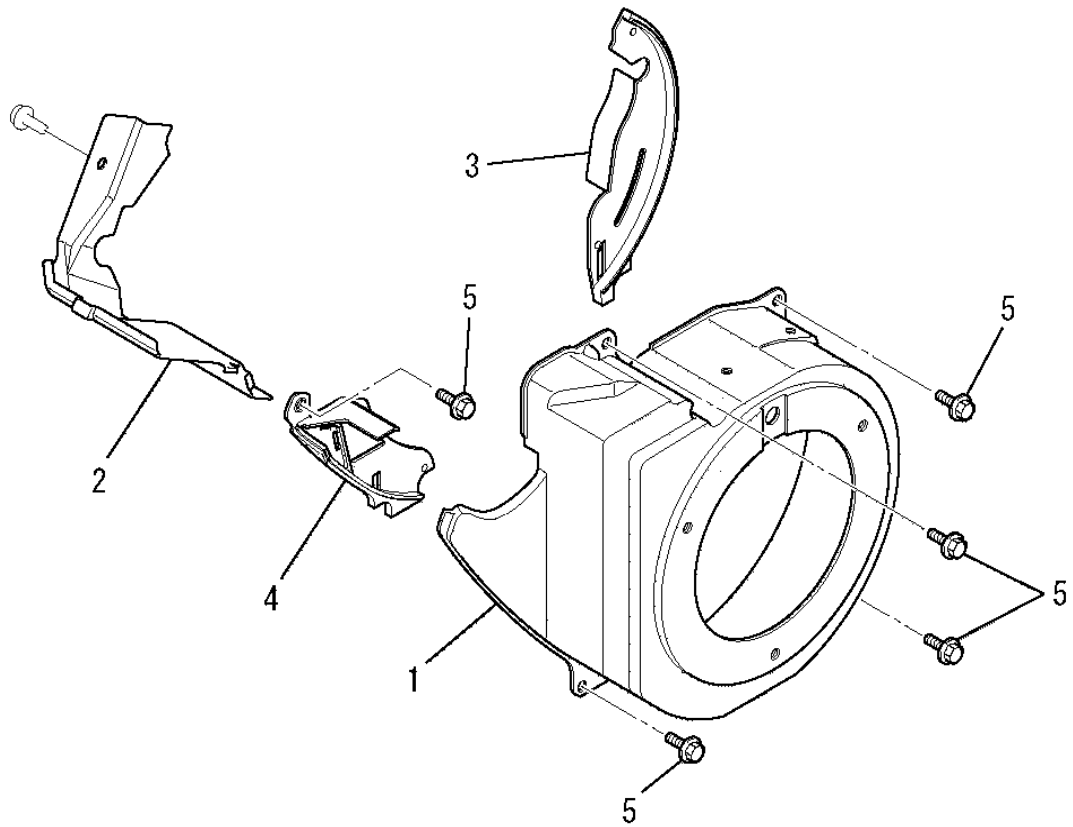
No.	R/N	Parts No.	Parts Name	No. Req'd	Inte	Remarks	Serial No. (From~To)
1		LG03048AA	CONTROL PANEL ASSY	1			
2		LG22017AA001	SHAFT, GOV	1			
3		LS500P07	SNAP RING	1			
4		LG31029AA	LEVER, GOV	1			
5		LG41021AA	ROD, GOV	1			
6		LG42017AA	SPRING, ROD	1			
7		LG90023AA	WASHER	1			
8		LU70006AA	CLIP	1			
9		LB800A06012	BOLT, FLANGE	1			
10		LFR42734	NUT, FLANGE	2			
11		LB800A06008K	BOLT, FLANGE	2			
12		LG09012AA	PANEL, REMOTE	1			

(J) CONTROL PANEL GROUP



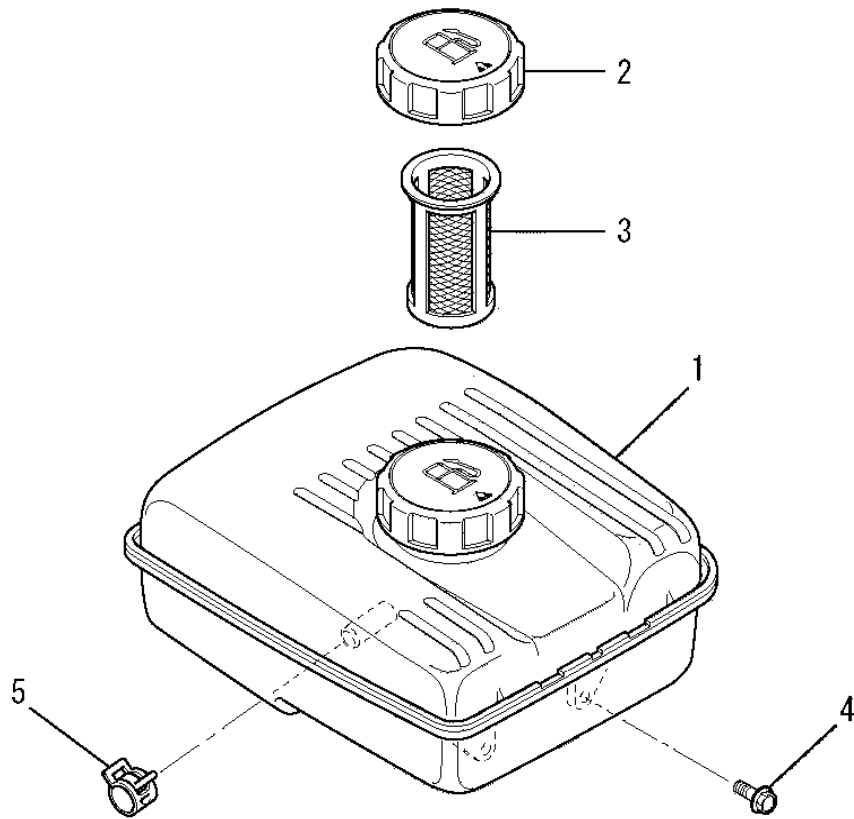
No.	R/N	Parts No.	Parts Name	No. Req'd	Inte	Remarks	Serial No. (From~To)
13		LB800A06010K	BOLT, FLANGE	1			

(K) FAN COVER GROUP



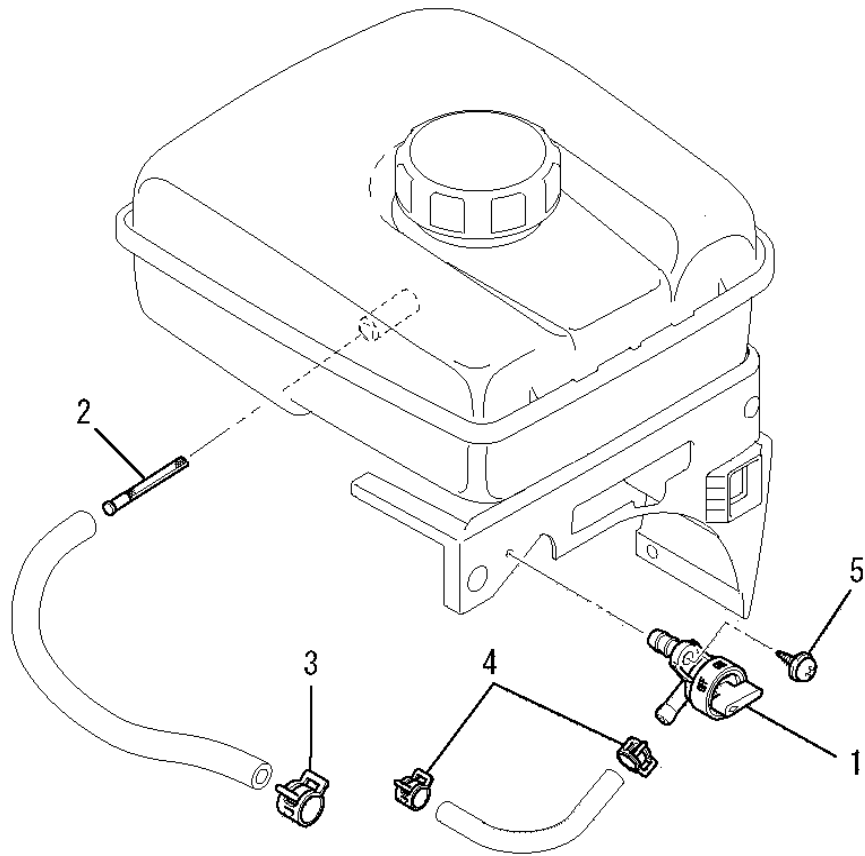
No.	R/N	Parts No.	Parts Name	No. Req'd	Inte	Remarks	Serial No. (From~To)
1		LH25012AA	COVER, FAN	1			
2		LH40066CA	COVER, CYLINDER	1			
3		LH90052AA	COVER	1			
4		LH90053BA	COVER	1			
5		LB800A06012	BOLT, FLANGE	5			

(M) TANK GROUP



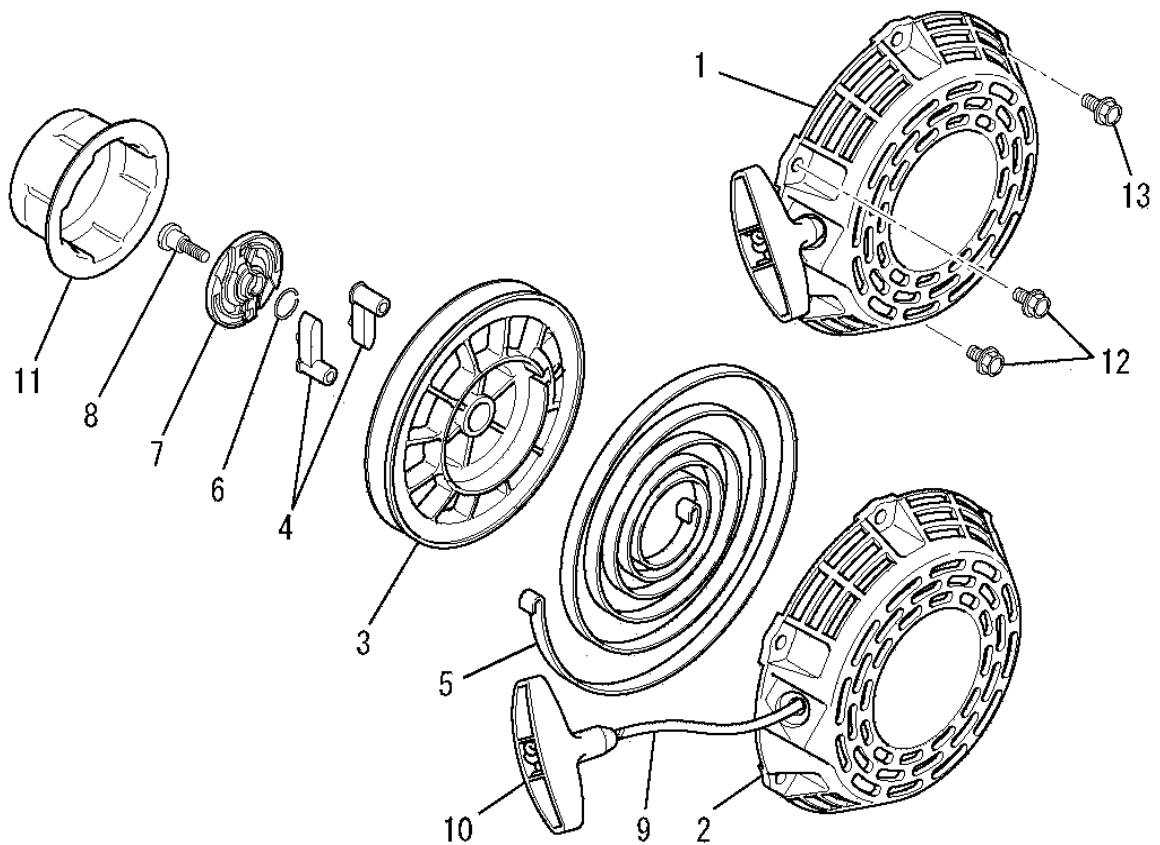
No.	R/N	Parts No.	Parts Name	No. Req'd	Inte	Remarks	Serial No. (From~To)
1		LF04138CD	FUEL TANK ASSY	1		INCL. NO. 2, 3	
2		LF05028CB	TANK CAP ASSY	1			
3		LF40003DA	FILTER, FUEL	1			
4		LB800A06025	BOLT, FLANGE	4			
5		LU70021AA	CLIP	1			

(N) COCK GROUP



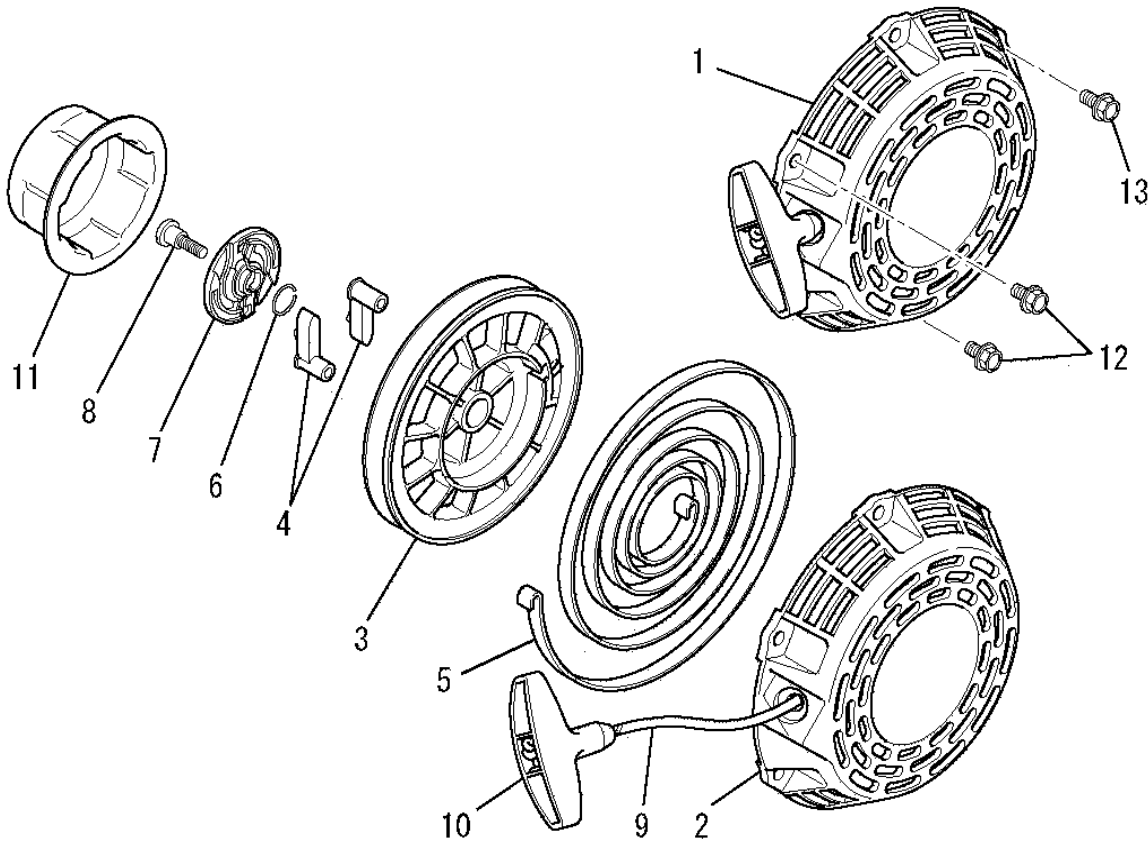
No.	R/N	Parts No.	Parts Name	No. Req'd	Inte	Remarks	Serial No. (From~To)
1		LF31034AA	COCK, FUEL	1			
2		LF40012AA	FILTER, FUEL	1			
3		LU70022AA	CLIP	1			
4		LU70021BA	CLIP	2			
5		LU12026AA	TAP-SCREW	1			

(R) RECOIL STARTER GROUP



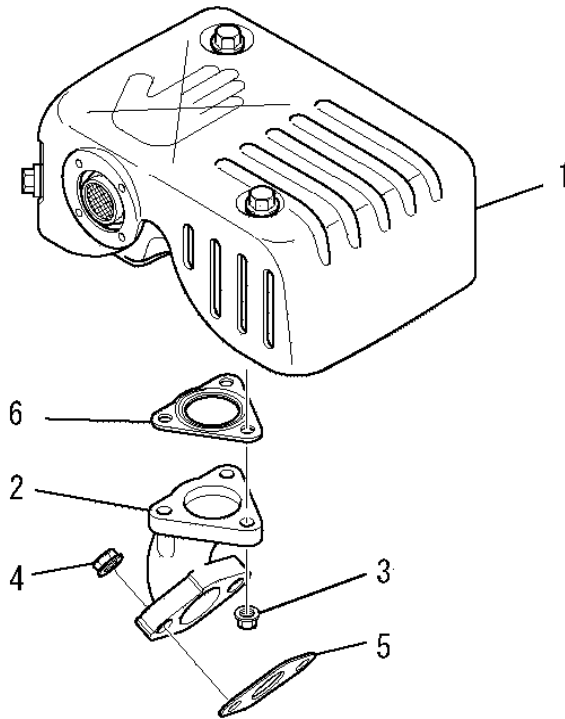
No.	R/N	Parts No.	Parts Name	No. Req'd	Inte	Remarks	Serial No. (From~To)
1		LS02096AA	RECOIL STARTER ASSY	1		INCL. NO. 2-11	
2		LS20123AA001	CASE, STARTER	1			
3		LS20123AA102	REEL	1			
4		LS20123AA003	RATCHET	2			
5		LS20119AA004	SPRING, SPIRAL	1			
6		LS20020AD006	SPRING, FRICTION	1			
7		LS20123AA006	GUIDE	1			
8		LS20118AA008	SCREW	1			
9		LS20123AA010	ROPE, STARTER	1			
10		LS20123AA011	KNOB, STARTER	1			
11		LS30040CA	PULLEY, STARTER	1			
12		LB800A06010K	BOLT, FLANGE	2			

(R) RECOIL STARTER GROUP



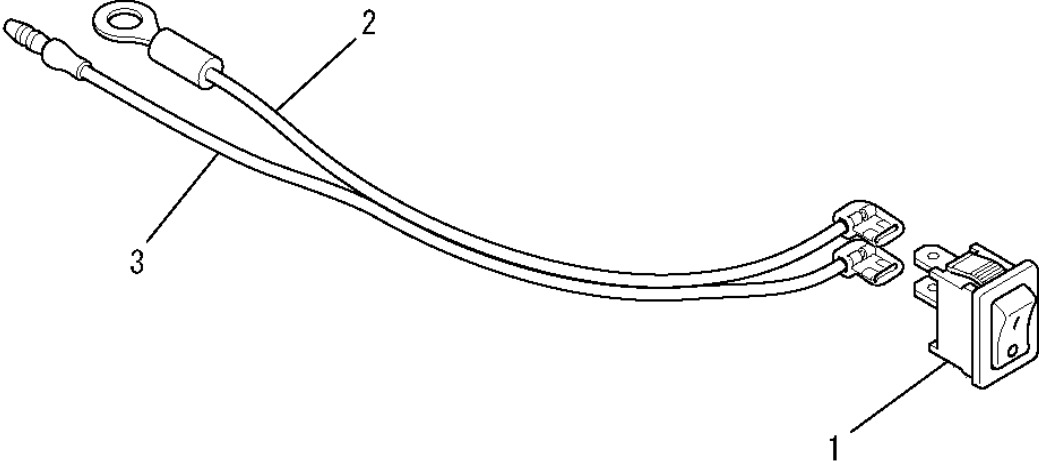
No.	R/N	Parts No.	Parts Name	No. Req'd	Inte	Remarks	Serial No. (From~To)
13		LB800A06012K	BOLT, FLANGE	1			

(S) MUFFLER GROUP



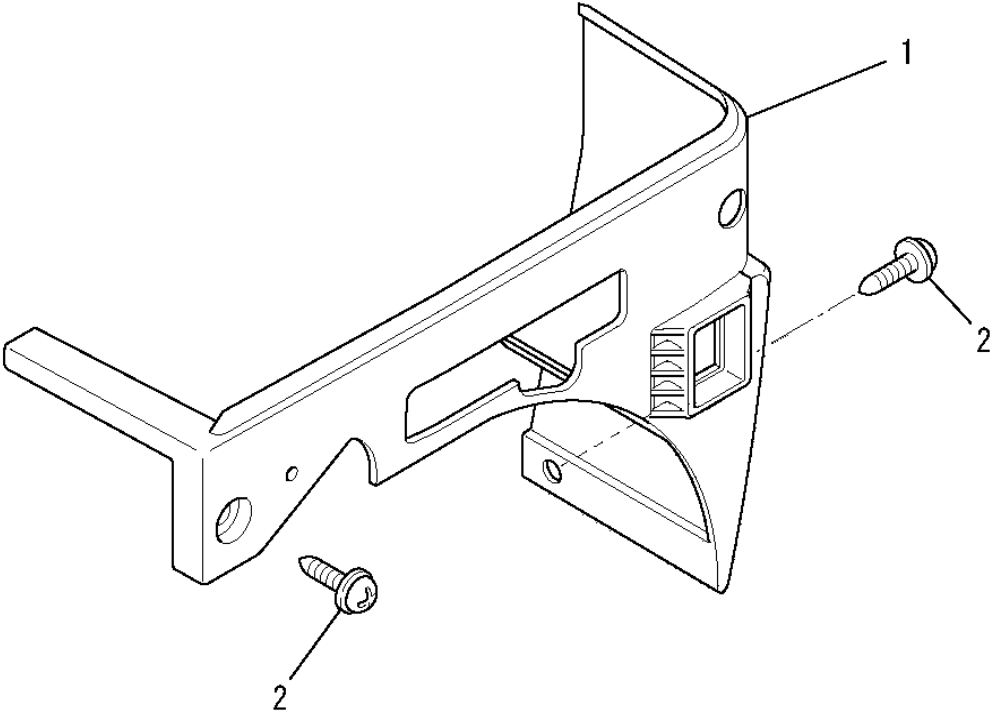
No.	R/N	Parts No.	Parts Name	No. Req'd	Inte	Remarks	Serial No. (From~To)
1		LM02139AA	MUFFLER ASSY	1			
2		LM30022AA	PIPE, EXHAUST	1			
3		LN801A06	NUT, FLANGE	3			
4		LZZ70028C	NUT, CONICAL SPG	2			
5		LM70040AA	GASKET, MUFFLER	1			
6		LM70041AA	GASKET, MUFFLER	1			

(U) SWITCH GROUP



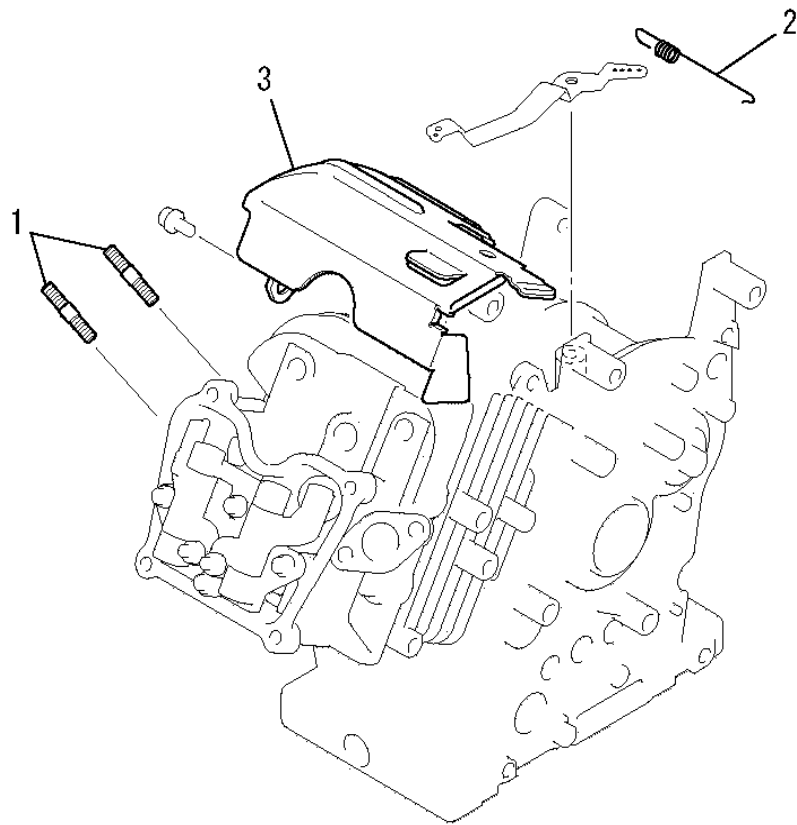
No.	R/N	Parts No.	Parts Name	No. Req'd	Inte	Remarks	Serial No. (From~To)
1		LE80033BA	SWITCH, STOP	1			
2		LE90190AA	WIRE, LEAD	1			
3		LE90191AA	WIRE, LEAD	1			

(X) COVER GROUP



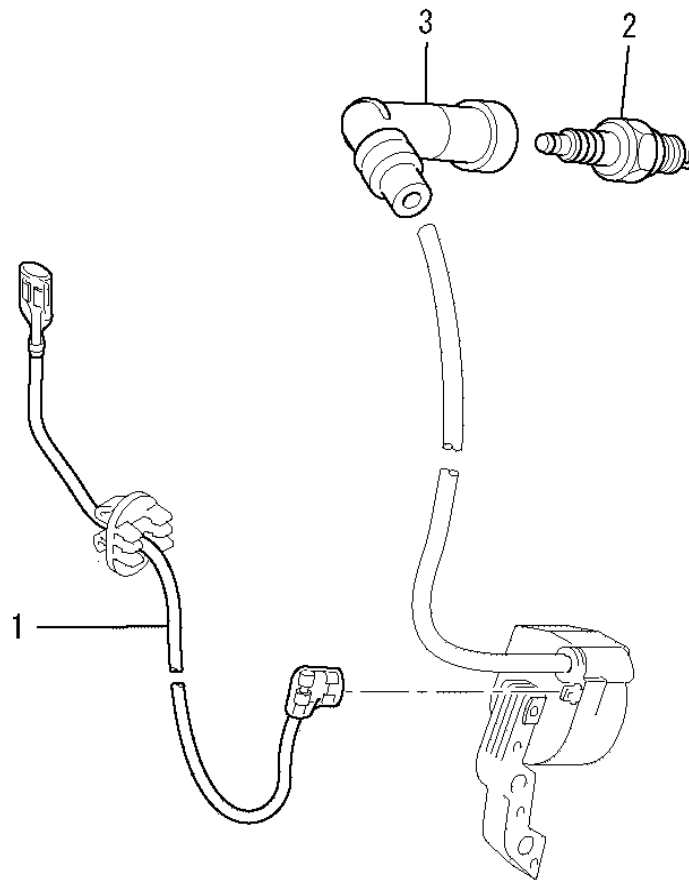
No.	R/N	Parts No.	Parts Name	No. Req'd	Inte	Remarks	Serial No. (From~To)
1		LR40030DA	COVER, FRONT	1			
2		LU12025AA	TAP-SCREW	2			

1. BOLT, SPRING, COVER



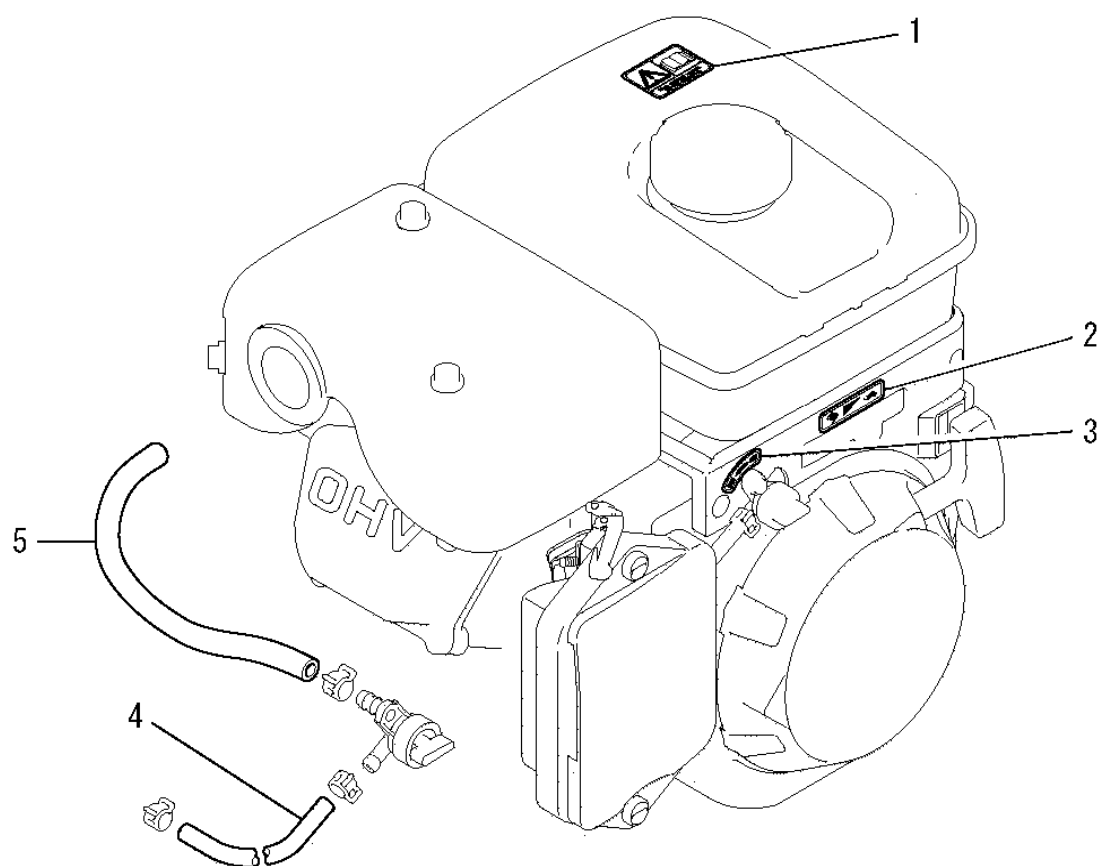
No.	R/N	Parts No.	Parts Name	No. Req'd	Inte	Remarks	Serial No. (From~To)
1		LB151B08020	BOLT, STUD	2			
2		LG34032AA	SPRING, GOV	1			
3		LH40057BA	COVER, TOP	1			

2. LEAD WIRE, PLUG, CAP



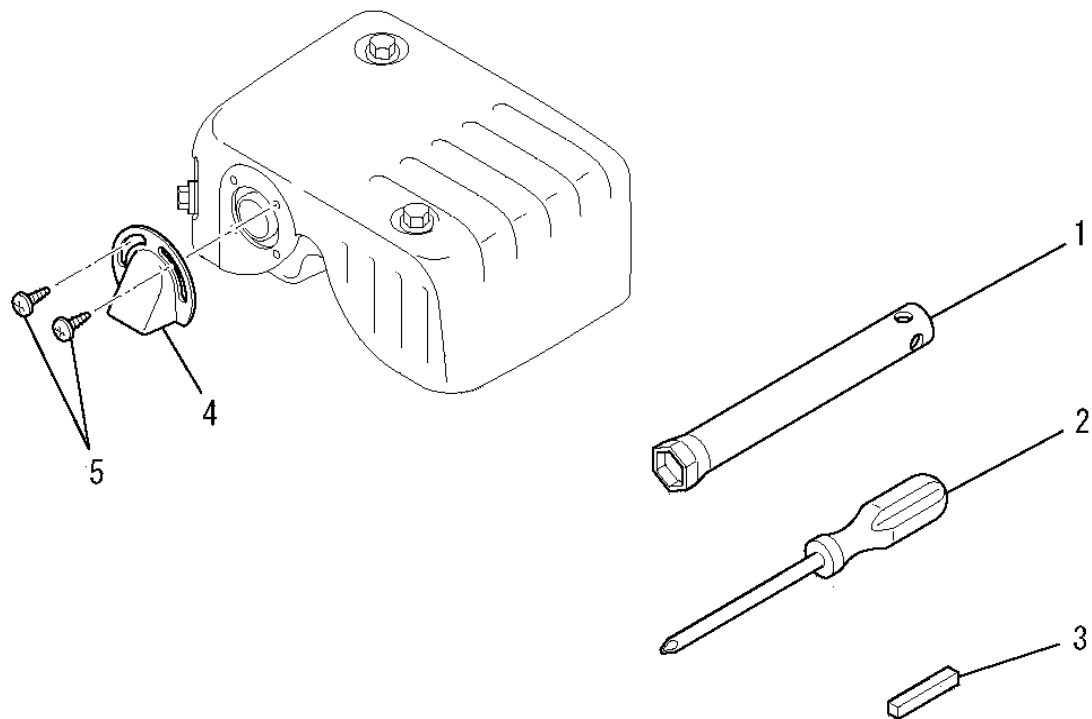
No.	R/N	Parts No.	Parts Name	No. Req'd	Inte	Remarks	Serial No. (From~To)
1		LE90069AA	WIRE, LEAD	1			
2		LE41009AA	PLUG, SPARK	1			
3		LE42035AA	CAP, PLUG	1			

3. LABEL, FUEL HOSE



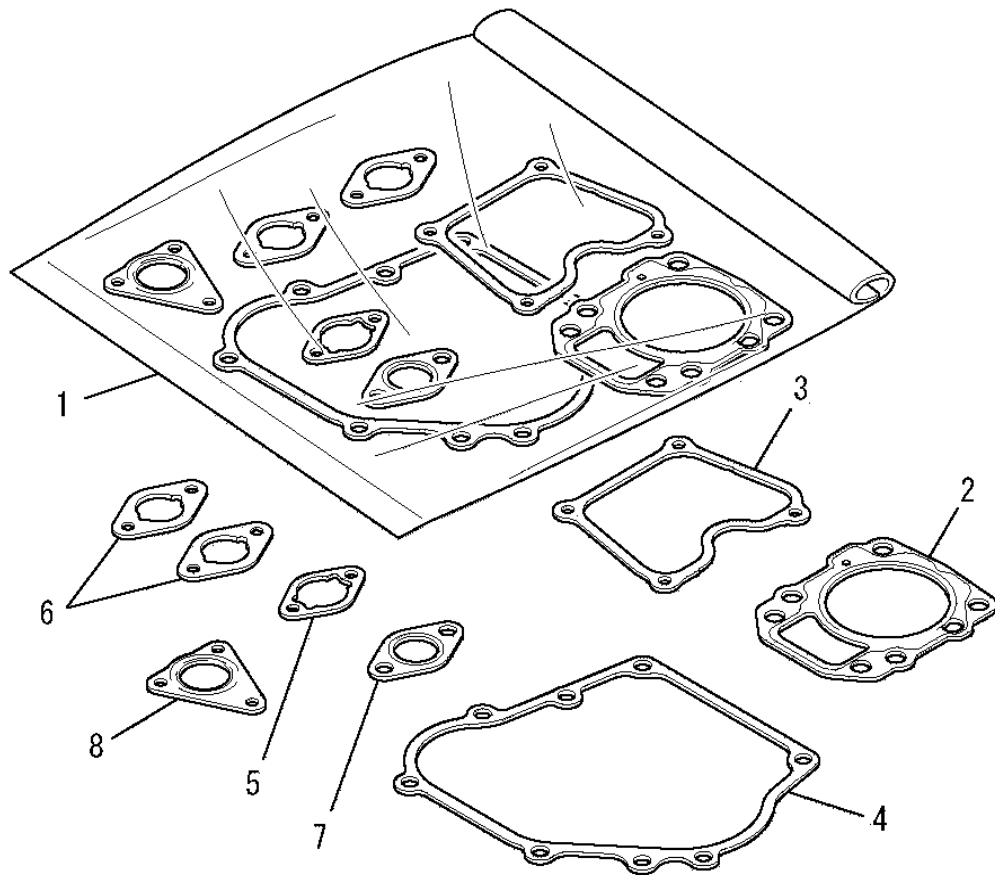
No.	R/N	Parts No.	Parts Name	No. Req'd	Inte	Remarks	Serial No. (From~To)
1		LW55042AA	LABEL	1			
2		LW56112AA	LABEL	1			
3		LW56316AA	LABEL	1			
4		LF90139AA110	HOSE, FUEL	1			
5		LF90140AA155	HOSE, FUEL	1			

4. TOOL SET



No.	R/N	Parts No.	Parts Name	No. Req'd	Inte	Remarks	Serial No. (From~To)
1		LN12004DA	SPANNER, BOX	1			
2		LN13001AA	DRIVER, SCREW	1			
3		LW405B05X035	KEY, SUNK	1			
4		LFA28221	PIPE, TAIL	1			
5		LW006D04006K	SCREW	2			

5. GASKET SET



No.	R/N	Parts No.	Parts Name	No. Req'd	Inte	Remarks	Serial No. (From~To)
1		LW39080EA	GASKET SET	1		INCL. NO. 2-8	
2		LC66014AA	GASKET, HEAD	1			
3		LW33006AA	GASKET, HEAD COVER	1			
4		LW31014AA	GASKET, CRANKCASE	1			
5		LW34054AA	GASKET, CARBURETOR	1			
6		LW34029AA	GASKET, CARBURETOR	2			
7		LM70040AA	GASKET, MUFFLER	1			
8		LM70041AA	GASKET, MUFFLER	1			