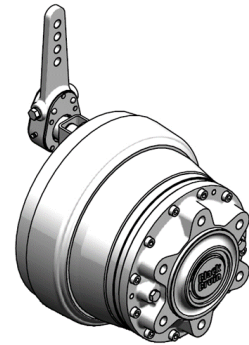


MODEL CODE DESCRIPTION:

A	Frame	=	B240
B	Displacement	=	800 ccm/rev
C	Displacement control	=	2-speed valve Left side - CCW preferred
D	Accessory	=	Drum brake 320x75


TECHNICAL DATA:

Rotating direction	flow direction A to B	CCW ²⁾
	flow direction B to A	CW
Displacement	at full displacement	800 ccm
	at half displacement	400 ccm
Maximum torque	theoretical	4460 Nm
	with 100 bar	1270 Nm
Brake torque ¹⁾		8600 Nm
Max. operating power	at full displacement	35 kW
	at half displacement	21 kW
Max. rotating speed	at full displacement	185 rpm
	at half displacement	275 rpm
	at freewheeling	600 rpm
Max. engaging speed	(out of freewheeling)	93 rpm
Min. rotating speed	(constant running)	2 rpm
Max. working pressure	peak pressure	350 bar
	intermittent ³⁾	300 bar
Max. case pressure	average	2 bar
	intermittent	10 bar
Pilot pressure for internal valve	valve engaged	7 - 30 bar ⁴⁾
	valve released	0 - 2 bar
Max. flow rate	at full displacement	150 l/min
	at half displacement	113 l/min
Fluid viscosity	recommended	25 - 50 cSt
	minimum	15 cSt
Operating temperature ⁵⁾	recommended	< 70 °C
	maximum	85 °C
Weight		96 kg
Max. load capacity ⁶⁾		4 t
Tightening torques ^{7) 8)}	Hub interface	383 Nm M18x1,5 10.9
	Drum brake interface	330 Nm M16x2,0 12.9
	-	-
	-	-

¹⁾ The brake torque is for information only. Braking performance must be ensured by testing and/or certification.

²⁾ Preferred operating direction at half displacement.

³⁾ Intermittent operation: Permissible values for maximum 10 % of every minute.

⁴⁾ If pilot pressure is over 30 bar, the pilot line should be throttled.

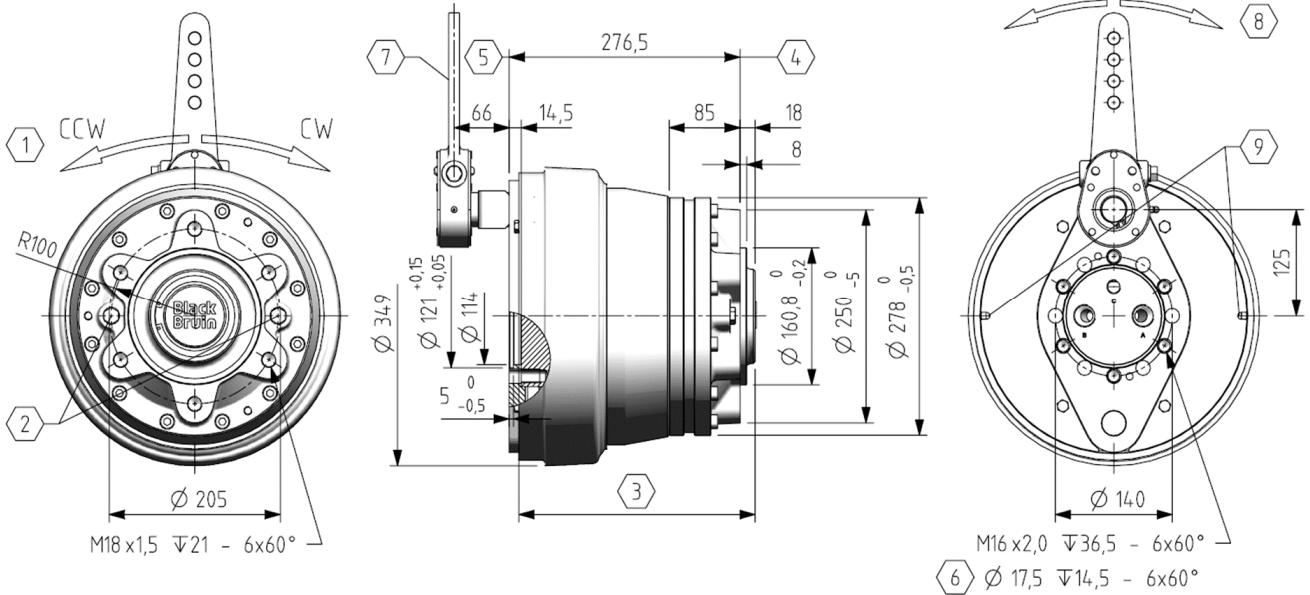
⁵⁾ Allowed operating temperature depends on hydraulic fluid viscosity at operating temperature.

⁶⁾ The motor load capacity must be estimated for every application.

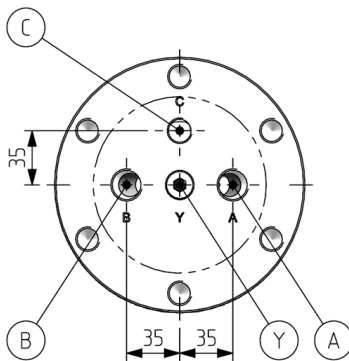
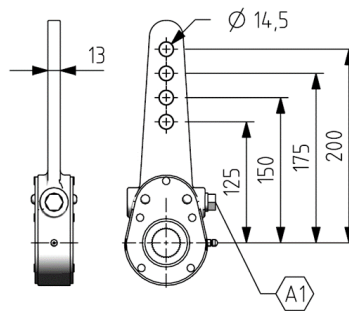
⁷⁾ Declared values are for reference only. Always use application specific tightening torques when given.

⁸⁾ Strength class as in ISO 898-1. If using lower strength class, check interface load capacity and tightening torque.

See 'B200 product manual' for more information

MAIN DIMENSIONS:


- (1) Rotating direction of the motor housing
- (2) Air bleed screws (2 pcs)
- (3) Rotating part of the motor
- (4) Hub interface
- (5) Drum brake interface
- (6) Brake frame may be positioned with 60° intervals
- (7) Brake lever
- (8) Brake actuation direction
- (9) Brake lining thickness check
- (A1) Manual slack adjuster

MOTOR HYDRAULIC INTERFACE

BRAKE LEVER

HYDRAULIC CONNECTIONS:

	Port:	Type:	Size:	Pmax: ⁹⁾
	A / B	WORKING LINES		350 bar
		ISO 1179-1	G1/2"	
	C	CASE DRAIN		40 bar
ISO 1179-1		G3/8"		
Y	INTERNAL VALVE PILOT		350 bar	
	ISO 1179-1	G1/2"		
⁹⁾ Max. potential pressure in port. See performance for allowed operating pressure.				

See 'B200 product manual' for more information